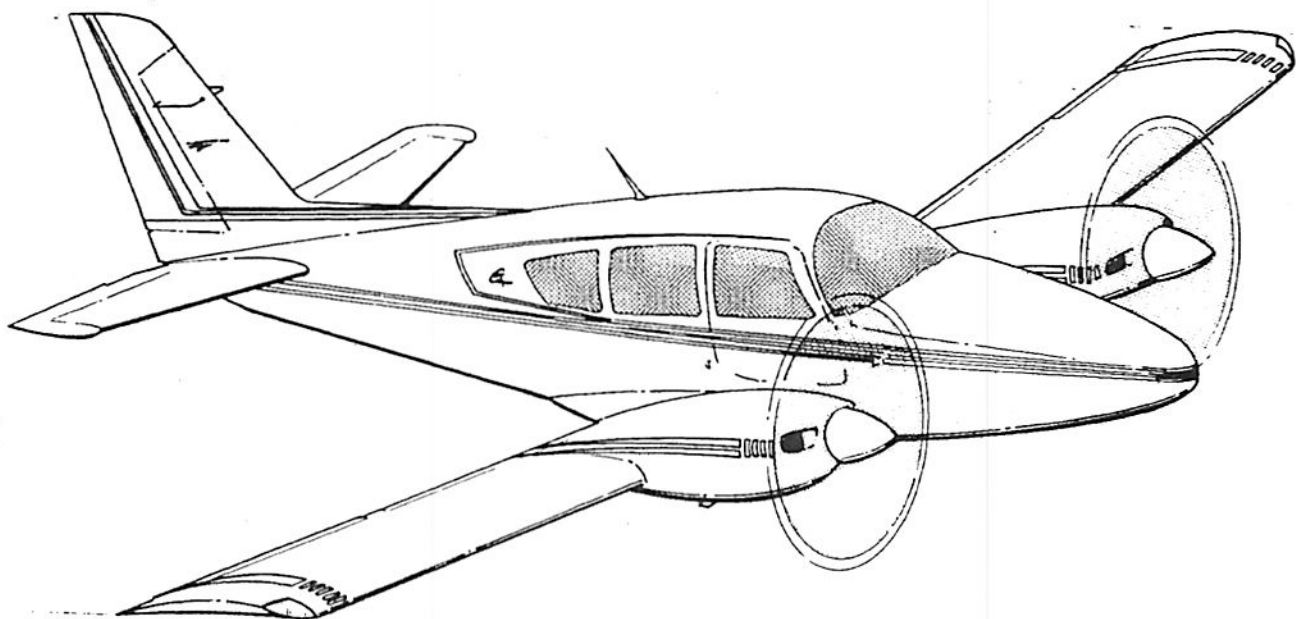


**ILLUSTRATED PARTS
CATALOG
MODEL**

GA-7/COUGAR



GRUMMAN AMERICAN

**ISSUED: Oct 15, 1977
REVISED: May 15, 1978**

**GRUMMAN AMERICAN AVIATION CORPORATION
P.O. Box 2206
Savannah, Georgia 31402**

©

Copyright 1978

All rights reserved, including the right to reproduce this publication. No part may be reproduced, stored in any retrieval system, or transmitted in any part or form or by any means, electronic, photocopying, microfilm, microfiche, mechanical, or otherwise, without prior written permission of Gulfstream American.

GRUMMAN AMERICAN AVIATION
GA-7/COUGAR
ILLUSTRATED PARTS CATALOG

LIST OF EFFECTIVE PAGES (Continued)

<u>CHAPTER/ SECTION</u>	<u>PAGE</u>	<u>DATE</u>	<u>CHAPTER/ SECTION</u>	<u>PAGE</u>	<u>DATE</u>
Section III (Continued)			Chapter 24	1	October 15/77
				2	October 15/77
				3	October 15/77
Chapter 21 (Continued)	13/14	October 15/77		4	October 15/77
	Blank	October 15/77		5	October 15/77
Chapter 22	*1	May 15/78		6	October 15/77
	*2	May 15/78		7	October 15/77
	*3	May 15/78		8	October 15/77
	*4/5	May 15/78		9	October 15/77
	Blank			10	October 15/77
	*6	May 15/78		11	October 15/77
	*7	May 15/78		12/13	October 15/77
	*8	May 15/78		Blank	
	*9	May 15/78		14	October 15/77
	*10	May 15/78		15/16	October 15/77
	*11	May 15/78		Blank	
	*12	May 15/78	Chapter 25	1	October 15/77
	*13	May 15/78		2	October 15/77
	*14	May 15/78		3	October 15/77
	*15	May 15/78		4	October 15/77
	*16	May 15/78		5	October 15/77
	*17/18	May 15/78		6	October 15/77
	Blank			7	October 15/77
Chapter 23	*1	May 15/78		8	October 15/77
	*2	May 15/78		9	October 15/77
	*3	May 15/78		10	October 15/77
	*4	May 15/78		11	October 15/77
	*5	May 15/78		12	October 15/77
	*6	May 15/78		13	October 15/77
	*7	May 15/78		14	October 15/77
	*8/9	May 15/78		15	October 15/77
	Blank			16/17	October 15/77
	*10	May 15/78		Blank	
	*11	May 15/78		18	October 15/77
	*12/13	May 15/78		19	October 15/77
	Blank			20	October 15/77
	*14	May 15/78		21/22	October 15/77
	*15	May 15/78		Blank	
	*16	May 15/78	Chapter 27	1	October 15/77
	*17	May 15/78		2	October 15/77
	*18	May 15/78		3	October 15/77
	*19	May 15/78		4	October 15/77
	*20	May 15/78		5	October 15/77
	*21/22	May 15/78		6/7	October 15/77
	Blank			Blank	

*Pages revised by current revision

GRUMMAN AMERICAN AVIATION
GA-7/COUGAR
ILLUSTRATED PARTS CATALOG

LIST OF EFFECTIVE PAGES (Continued)

<u>CHAPTER/ SECTION</u>	<u>PAGE</u>	<u>DATE</u>	<u>CHAPTER/ SECTION</u>	<u>PAGE</u>	<u>DATE</u>
Section III (Continued)			Chapter 28 (Continued)	8	October 15/77
Chapter 27 (Continued)	8	October 15/77		9	October 15/77
	9	October 15/77		10	October 15/77
	10	October 15/77		11	October 15/77
	11	October 15/77		12	October 15/77
	12	October 15/77		13	October 15/77
	13	October 15/77		14	October 15/77
	14	October 15/77		15	October 15/77
	15	October 15/77		16	October 15/77
	16	October 15/77		17	October 15/77
	17	October 15/77		18	October 15/77
18/19	October 15/77			19	October 15/77
Blank				20	October 15/77
20	October 15/77			21	October 15/77
21	October 15/77			22	October 15/77
22	October 15/77			23	October 15/77
23	October 15/77			24	October 15/77
24	October 15/77			25/26	October 15/77
25	October 15/77			Blank	
26/27	October 15/77		Chapter 30	1	October 15/77
Blank				2	October 15/77
28	October 15/77			3	October 15/77
29	October 15/77			4	October 15/77
30	October 15/77			5	October 15/77
31	October 15/77			6	October 15/77
32	October 15/77				
33	October 15/77		Chapter 32	1	October 15/77
34/35	October 15/77			2	October 15/77
Blank				3	October 15/77
36	October 15/77			4	October 15/77
37	October 15/77			5	October 15/77
38	October 15/77			6	October 15/77
39	October 15/77			7	October 15/77
40	October 15/77			8	October 15/77
41	October 15/77			9	October 15/77
42	October 15/77			10	October 15/77
43	October 15/77			11	October 15/77
44	October 15/77			12/13	October 15/77
45	October 15/77			Blank	
46	October 15/77			14	October 15/77
47	October 15/77			15	October 15/77
48	October 15/77			16	October 15/77
49	October 15/77			17	October 15/77
50	October 15/77			18/19	October 15/77
				Blank	
Chapter 28	1	October 15/77		20	October 15/77
	2	October 15/77		21	October 15/77
	3	October 15/77		22	October 15/77
	4	October 15/77		23	October 15/77
	5	October 15/77		24	October 15/77
	6	October 15/77		25	October 15/77
	7	October 15/77		26	October 15/77

*Pages revised by current revision

GRUMMAN AMERICAN AVIATION
GA-7/COUGAR
ILLUSTRATED PARTS CATALOG

LIST OF EFFECTIVE PAGES (Continued)

<u>CHAPTER/ SECTION</u>	<u>PAGE</u>	<u>DATE</u>	<u>CHAPTER/ SECTION</u>	<u>PAGE</u>	<u>DATE</u>
Section III (Continued)			Chapter 33 (Continued)	11	October 15/77
				12	October 15/77
				13	October 15/77
Chapter 32 (Continued)	27	October 15/77		14	October 15/77
	28	October 15/77		15	October 15/77
	29	October 15/77		16	October 15/77
	30	October 15/77			
	31	October 15/77	Chapter 34	*1	May 15/78
	32/33	October 15/77		*2/3	May 15/78
	Blank			Blank	
	34	October 15/77		*4	May 15/78
	35	October 15/77		*5	May 15/78
	36/37	October 15/77		*6	May 15/78
	Blank			*7	May 15/78
	38	October 15/77		*8	May 15/78
	39	October 15/77		*9	May 15/78
	40/41	October 15/77		*10	May 15/78
	Blank			*11	May 15/78
	42	October 15/77		*12/13	May 15/78
	43	October 15/77		Blank	
	44	October 15/77		*14	May 15/78
	45	October 15/77		*15	May 15/78
	46	October 15/77		*16	May 15/78
	47	October 15/77		*17	May 15/78
	48	October 15/77		*18	May 15/78
	49	October 15/77		*19	May 15/78
	50	October 15/77		*20/21	May 15/78
	51	October 15/77		Blank	
	52	October 15/77		*22	May 15/78
	53	October 15/77		*23	May 15/78
	54	October 15/77		*24	May 15/78
	55	October 15/77		*25	May 15/78
	56	October 15/77		*26	May 15/78
	57	October 15/77		*27	May 15/78
	58	October 15/77		28/29	May 15/78
	59	October 15/77		Blank	
	60	October 15/77		*30	May 15/78
	61	October 15/77		*31	May 15/78
	62	October 15/77		*32/33	May 15/78
	63	October 15/77		Blank	
	64	October 15/77		*34	May 15/78
	65/66	October 15/77		*35	May 15/78
	Blank			*36	May 15/78
				*37	May 15/78
Chapter 33	1	October 15/77		*38	May 15/78
	2	October 15/77		*39	May 15/78
	3	October 15/77		*40	May 15/78
	4	October 15/77		*41	May 15/78
	5	October 15/77		*42	May 15/78
	6	October 15/77		*43	May 15/78
	7	October 15/77		*44	May 15/78
	8	October 15/77		*45	May 15/78
	9	October 15/77		*46	May 15/78
	10	October 15/77		*47	May 15/78

*Pages revised by current revision

GRUMMAN AMERICAN AVIATION
GA-7/COUGAR
ILLUSTRATED PARTS CATALOG

LIST OF EFFECTIVE PAGES (Continued)

<u>CHAPTER/ SECTION</u>	<u>PAGE</u>	<u>DATE</u>	<u>CHAPTER/ SECTION</u>	<u>PAGE</u>	<u>DATE</u>
Section III (Continued)			Chapter 52	1	October 15/77
				2	October 15/77
				3	October 15/77
				4	October 15/77
				5	October 15/77
				6	October 15/77
				7	October 15/77
				8	October 15/77
				9	October 15/77
				10	October 15/77
				11/12	October 15/77
				Blank	
Chapter 34 (Continued)	*48	May 15/78	Chapter 53	1	October 15/77
	*49	May 15/78		2	October 15/77
	*50	May 15/78		3	October 15/77
	*51	May 15/78		4	October 15/77
	*52	May 15/78		5	October 15/77
	*53	May 15/78		6	October 15/77
	*54/55	May 15/78		7	October 15/77
	Blank			8	October 15/77
	*56	May 15/78		9	October 15/77
	*57	May 15/78		10/11	October 15/77
	*58	May 15/78		Blank	
	*59	May 15/78		12	October 15/77
	*60	May 15/78		13	October 15/77
	*61	May 15/78		14	October 15/77
	*62	May 15/78		15	October 15/77
	*63	May 15/78		16/17	October 15/77
	*64	May 15/78		Blank	
	*65	May 15/78		18	October 15/77
	*66	May 15/78		19	October 15/77
	*67	May 15/78		20	October 15/77
*68	May 15/78				
*69	May 15/78				
*70/71	May 15/78				
Blank					
*72	May 15/78				
*73	May 15/78				
*74/75	May 15/78				
Blank					
*76	May 15/78				
*77/78	May 15/78				
Blank					
Chapter 37	1	October 15/77	Chapter 55	1	October 15/77
	Blank			2	October 15/77
				3	October 15/77
				4/5	October 15/77
				Blank	
Chapter 39	1	October 15/77	Chapter 56	1	October 15/77
	2	October 15/77		2	October 15/77
	3	October 15/77		3	October 15/77
	4	October 15/77		4	October 15/77
	5	October 15/77		5	October 15/77
	6	October 15/77		6/7	October 15/77
	7	October 15/77		Blank	
	8	October 15/77		8	October 15/77
	9	October 15/77		9	October 15/77
	10	October 15/77		10	October 15/77
	11	October 15/77		11	October 15/77
	12/13	October 15/77		12	October 15/77
	Blank			13/14	October 15/77
14	October 15/77	Blank			
15	October 15/77				
16	October 15/77				
17/18	October 15/77				
Blank					

*Pages revised by current revision

GRUMMAN AMERICAN AVIATION
GA-7/COUGAR
ILLUSTRATED PARTS CATALOG

LIST OF EFFECTIVE PAGES (Continued)

<u>CHAPTER/ SECTION</u>	<u>PAGE</u>	<u>DATE</u>	<u>CHAPTER/ SECTION</u>	<u>PAGE</u>	<u>DATE</u>
Section III (Continued)			Chapter 73	1	October 15/77
				2	October 15/77
				3	October 15/77
Chapter 57	1	October 15/77		4	October 15/77
	2	October 15/77		5	October 15/77
	3	October 15/77		6	October 15/77
	4	October 15/77		7	October 15/77
	5	October 15/77		8/9	October 15/77
	6	October 15/77		Blank	
	7	October 15/77		10	October 15/77
	8	October 15/77		11	October 15/77
	9/10	October 15/77		12	October 15/77
	Blank			13/14	October 15/77
				Blank	
Chapter 61	1	October 15/77			
	2	October 15/77	Chapter 74	1	October 15/77
	3	October 15/77		2	October 15/77
	4	October 15/77		3/4	October 15/77
	5	October 15/77		Blank	
	6	October 15/77			
	7	October 15/77	Chapter 77	1	October 15/77
	8	October 15/77		2	October 15/77
	9	October 15/77		3	October 15/77
	10	October 15/77		4	October 15/77
				5	October 15/77
Chapter 71	1	October 15/77		6	October 15/77
	2	October 15/77		7	October 15/77
	3	October 15/77		8	October 15/77
	4	October 15/77		9	October 15/77
	5	October 15/77		10	October 15/77
	6	October 15/77		11/12	October 15/77
	7	October 15/77		Blank	
	8	October 15/77			
	9	October 15/77	Chapter 78	1	October 15/77
	10	October 15/77		2	October 15/77
	11	October 15/77		3/4	October 15/77
	*12	May 15/78		Blank	
	*13	May 15/78			
	14	October 15/77	Chapter 79	1	October 15/77
	15	October 15/77		2	October 15/77
	16	October 15/77		3	October 15/77
	17	October 15/77		4	October 15/77
	18/19	October 15/77		5	October 15/77
	Blank			6	October 15/77
	20	October 15/77		7/8	October 15/77
	21	October 15/77		Blank	
	22	October 15/77			
	23	October 15/77	Chapter 80	1	October 15/77
	24	October 15/77		2	October 15/77
	25	October 15/77		3/4	October 15/77
	26	October 15/77		Blank	
	27	October 15/77			
	28	October 15/77			
	29/30	October 15/77			
	Blank				

*Pages revised by current revision

GRUMMAN AMERICAN AVIATION
GA-7/COUGAR
ILLUSTRATED PARTS CATALOG

ALPHABETICAL TABLE OF CONTENTS

<u>SECTION</u>		<u>CHAPTER NUMBER</u>
I	<u>INTRODUCTION</u>	
II	<u>NUMERICAL INDEX</u>	
III	<u>DETAILED PARTS LIST</u>	
	<u>AIRCRAFT GENERAL</u>	
	Placards and Markings	11
	Servicing and Support Equipment	12
	<u>AIRFRAME SYSTEMS</u>	
	Air Conditioning (Heating and Ventilation)	21
	Auto Flight	22
	Communications (Radio/Avionic Equipment)	23
	Electrical/Electronic Panels and Multipurpose Components	39
	Electrical Power	24
	Equipment/Furnishings	25
	Flight Controls	27
	Fuel	28
	Ice and Rain Protection	30
	Landing Gear and Hydraulics	32
	Lights	33
	Navigation	34
	<u>POWER PLANT</u>	
	Engine Fuel and Control	73
	Engine Indicating	77
	Exhaust	78
	Ignition	74
	Oil	79
	Power Plant	71
	Starting	80
	<u>PROPELLERS</u>	
	Propellers	61

GRUMMAN AMERICAN AVIATION
GA-7/COUGAR
ILLUSTRATED PARTS CATALOG

SECTION

CHAPTER
NUMBER

STRUCTURE

Doors	52
Fuselage	53
Stabilizers	55
Windows	56
Wings	57

GRUMMAN AMERICAN AVIATION
GA-7/COUGAR
ILLUSTRATED PARTS CATALOG

SECTION I

INTRODUCTION

1. GENERAL

This Illustrated Parts Catalog provides an illustrated parts breakdown of the parts necessary for the support of the GA-7/Cougar aircraft. It is intended as an aid in identifying and requisitioning parts, and for illustrating assembly and disassembly relationships.

Generally, assemblies secured by bonding and weldments are not broken down except for seals, rub strips, nut plates and other similar components.

This Illustrated Parts Catalog is a companion document to the GA-7/Cougar Maintenance Manual and contains parts information for which maintenance practices coverage has been provided.

This catalog is divided into the following sections:

SECTION I	INTRODUCTION
SECTION II	NUMERICAL INDEX
SECTION III	DETAILED PARTS LIST

2. TABLE OF CONTENTS

Preceding this Introduction is the table of contents, which lists the three sections that constitute this catalog. The table also lists each chapter (system or category) of Section III, the Detailed Parts List. Preceding each chapter is a Table of Contents which lists the contents of the chapter.

3. SECTION I - INTRODUCTION

This section contains general and specific information on the contents of this catalog, specific explanations of the Grumman part-numbering system, descriptions of the Vendors' Code and the Usable On Code, and instructions on how to use this catalog. Also, descriptions of Aircraft Service Bulletins and Aircraft Service Letters contained in this catalog as they become effective and are entered in the catalog through revision.

4. SECTION II - NUMERICAL INDEX

This section is an alpha-numerical listing of all parts in Section III, Detailed Parts List. The listing consists of part number, figure and index numbers for each part listed in Section III.

5. SECTION III - DETAILED PARTS LIST

This section consists of lists of and illustrations of the parts necessary for the support of the complete airplane, arranged in five groups that constitute the complete aircraft, and in the chapters within each group, as applicable, in accordance with the requirements of Air Transport Association Specification No. 100. The five groups are: Aircraft General, Airframe Systems, Structure, Propellers, and Power Plant. Each chapter is prefaced by its own table of contents, indicating the related subjects into which it has been divided. Each page in Section III is divided into five columns. An explanation of the function of these columns and of the entries found in them follows.

A. "FIGURE & INDEX NO." COLUMN

This column contains the figure number of the illustration that shows the parts and the index numbers that locate the parts on the illustration. In some instances, a single index number is assigned to several part numbers, only one of which is illustrated. This procedure is used for the following kinds of parts: parts that are opposite but not interchangeable; parts that are on the left and right side of the airplane, one of either being illustrated; similar parts; superseded parts; and superseding parts. One index number is assigned to a particular group of attaching parts, and to some groups of close-fitting parts that cannot be individually identified on the illustration.

GRUMMAN AMERICAN AVIATION
GA-7/COUGAR
ILLUSTRATED PARTS CATALOG

If no index number is assigned, the part is listed but not illustrated.

B. "PART NUMBER" COLUMN

This column contains the part number assigned to each part. If no number has been assigned to a part, the words "NO NUMBER" appear in this column. The entire number must be used when ordering parts or making inquiries.

C. "NOMENCLATURE" COLUMN

This column contains the nomenclature of the part as it is shown on Grumman drawings, except for those parts for which the nomenclature has been expanded or reduced for clarity, for ease of identification, or because of space limitations. For proper identification of details of assemblies, the listings employ the indention system: each assembly or installation is broken down in the next indention to the right. Conversely, the next assembly or installation for any detail is above it and in the next indention to the left. The following kinds of assemblies have only one listing of their identical detail parts: assemblies that are opposite but not interchangeable, assemblies that are located on the left side and right side of the aircraft, similar assemblies, superseded assemblies, and superseding assemblies.

(1) Cross References

(REFER TO GAAC DRAWING_____)

The assembly or detail part is shown on Grumman drawing referenced to.

(SEE CHAPTER____FOR DETAIL BREAKDOWN)

Refer to appropriate figure in referenced chapter for detail breakdown.

(SEE CHAPTER____FOR NHA)

Refer to appropriate figure in referenced chapter for next higher assembly.

(SEE FIGURE____FOR DETAIL BREAKDOWN)

Refer to referenced figure within the same chapter for detail breakdown.

(SEE FIGURE____FOR NHA)

Refer to referenced figure within the same chapter for next higher assembly.

(SEE CHAPTER_____)

Refer to appropriate figure in referenced chapter for additional information on the assembly or detail part.

(SEE FIGURE_____)

Refer to referenced figure for additional information on the assembly or detail part.

(REFER TO SPECIFIC CHAPTERS AND SYSTEMS FOR ADDITIONAL COMPONENTS)

Electrical cable assembly contains wiring and connectors for the operation of more than one system.

(LH) or (RH)

The assembly or detail part is a left hand or right hand non-interchangeable part.

(LEFT SIDE ONLY)
(RIGHT SIDE ONLY)

The assembly or detail part is used on one side only.

(USED ON_____)

The assembly or detail part is used on or used to attach the item referenced.

(OPTIONAL)

The assembly or detail part is optional and may or may not be on the aircraft.

GRUMMAN AMERICAN AVIATION
GA-7/COUGAR
ILLUSTRATED PARTS CATALOG

()

The notation in parentheses provides additional information pertaining to the assembly or detail part.

(USE AS REPLACEMENT FOR _____)

The assembly or detail part replaces the item referenced.

(ALTERNATE FOR _____)

The assembly or detail part may be used in place of item referenced.

(ALTERED FROM _____)
(MAKE FROM _____)

The assembly or detail part may be altered or made from item referenced.

(XXXXX)

Vendor part identified by five digit code in accordance with the Federal Supply Code for Manufacturers Cataloging Handbook H4. Where there is no vendor code assigned in the H4 Handbook, the vendor's full name is given. A Vendors' Code List showing full names and addresses is included in paragraph 11 of this section.

(2) ATTACHING PARTS

Attaching parts are listed immediately after the assembly or detail part they attach and are separated by a heading in parentheses as follows:

(ATTACHING PARTS)

Parts listed are those required to attach one item (unit) of the part listed.

(ATTACHING PARTS FOR
(quantity) (name)

Parts listed are those required to attach more than one item as indicated by the quantity noted.

(ATTACHING PARTS FOR EACH OF
INDEX NUMBERS____THRU____)
(ATTACHING PARTS FOR EACH OF
INDEX NUMBERS____THRU____)

Parts listed are those required to attach one item (unit) of each of the parts identified by the index numbers noted.

(ATTACHING PARTS FOR INDEX
(NUMBERS____ AND____)

Parts listed are those required to attach, as a common attachment, for one item (Unit) of more than one part as identified by the index numbers noted.

(ATTACHING PARTS FOR
(quantity) (name)
INDEX NUMBERS____THRU____)

Parts required are those required to attach, as a common attachment (back to back), the quantity of parts identified by the index numbers noted.

A separation symbol "-*-" follows the listing of attaching parts to distinguish between attaching parts and subsequent listing of parts with the same indentation and detail parts in the next indentation to the right.

GRUMMAN AMERICAN AVIATION
GA-7/COUGAR
ILLUSTRATED PARTS CATALOG

D. "UNITS PER ASSY" COLUMN

This column lists the quantity of the units required for the next higher assembly of the part, with the exception that unless otherwise noted, the quantity of each attaching part is the quantity required to attach one unit (piece) of the part they attach. The notation "RF" in the "Units Per Assy" column indicates that (1) the units-per-assembly quantity, the next higher assembly, and the correct assembly relationship of the part are shown on the figure from which the part has been referenced; (2) the part has been listed and drawn on the illustration to locate certain of its detail parts; or (3) the referenced part is a tie-in part used as a connection to the system contained in the figure noted. The notation "NP" indicates that the part is "Not Procurable", the next higher assembly of the part or an interchangeable part should be ordered for replacement and spares. The notation "AR" indicates that the quantity of the part used is "As Required".

E. "USABLE ON CODE" COLUMN

This column shows the usability of a part as a replacement by means of letter symbols that represent the FAA Serial Numbers of the airplanes on which the part may be used. Where there is no letter in this column, the part is usable on all aircraft covered by this catalog. An asterisk (*) in the "Usable On Code" column of the parts having identical nomenclature means that all such parts are interchangeable and that the part or parts not asterisked are interchangeable and preferred to the asterisked parts. Where all parts are asterisked, they are completely interchangeable and no part is preferred. An asterisk and a usable on code letter together (*B) means that interchangeability is limited to the extent of the usable on code. A list showing the usable on code letters and the FAA Serial Number of the airplanes they represent is found in paragraph 8 of this section.

6. GRUMMAN PART-NUMBERING SYSTEM

A. Grumman parts specifically designed for the GA-7/Cougar are identified by the number 7 appearing as the first digit of the part number. Following this digit is a group identification letter or letters that identify the structural or equipment group to which the part belongs. Record drawing and specification/source control drawing part numbers have the letters RD or SC, respectively, following the first three or four digits of the part number but preceding the group identification letter or letters. Castings, forgings, honeycomb, machined parts, and plastic parts have the letters C, F, H, M, and P, respectively, appended to the group identification letter or letters. Following the letter coding is a number of three or more digits and a dash number that identifies the part, except letter coding is a number of three or more digits and a dash number that identifies the part, except that a dash number is not used on certain Special Support Equipment. The group identification letters and appended identification letters used are as follows:

<u>GROUP IDENTIFICATION</u>		<u>APPENDED IDENTIFICATION</u>	
AC	Air Conditioning (Heating and Ventilation)	C	Casting
AV	Avionics	F	Forging
B	Fuselage	H	Honeycomb
C	Flight Controls	M	Machined
CS	Control Surface	P	Plastic
F	Furnishings		
H	Hydraulic		
L	Landing Gear		
P	Power Plant		
SB	Service Change (Modification Kits)		

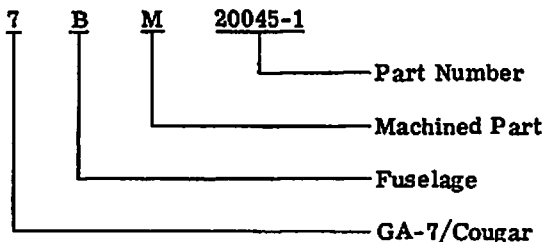
GRUMMAN AMERICAN AVIATION
GA-7/COUGAR
ILLUSTRATED PARTS CATALOG

GROUP IDENTIFICATION

APPENDED IDENTIFICATION

SC	Specification/Source Control
SEAV	Special Support Equipment, Avionic
SEFL	Special Support Equipment, Fluid
SEM	Special Support Equipment, Mechanical
VR	Rubber Extrusion
W	Wing

An example of the use of the part-numbering system is the number 7BM20045-1. The explanation of this number is as follows:



B. GRUMMAN STANDARD PARTS

Grumman Standard parts are identified by the letter "G" appearing as the first letter of the part number. Examples: G5-D3-100, GAES1022Z6-07.

C. PART NUMBERS FOR OPERATING SYSTEM LINE ASSEMBLIES

Certain line assemblies for operating systems such as hydraulic, fuel, instrument, etc., are identified by a basic part number to which is suffixed letters and a dash number to indicate the function of the line assembly and the outside diameter of the tubing used. For example: 7P11001-013LWASL-6 designates 7P11001-013 Tube Assembly, Left Wing Aft Supply Line, 3/8 inch O. D.

7. HOW TO USE THIS CATALOG

A. HOW TO FIND THE LOCATION AND NOMENCLATURE OF A PART WHEN THE PART NUMBER IS KNOWN

- (1) Locate the part number in Section II, Numerical Index.
- (2) Opposite the part number is the figure and index number in Section III, Detailed Parts List, on which the part is listed.
- (3) Turn to the indicated figure and index number in Section III, Detailed Parts List. The nomenclature of the part is on the list, under the given index number. The same index number locates the part on the illustration.

B. HOW TO FIND A PART WHEN THE PART NUMBER IS NOT KNOWN

- (1) Determine the system or category on which the part is used. Turn to the table of contents of the applicable chapter that covers the system or category. Select the most appropriate subject title and note the figure number.

- (2) Turn to the figure indicated and locate the desired part on the illustration for the subject.
- (3) From the illustration, obtain the index number of the part desired. Refer to the index number on the Detailed Parts List for the part number and nomenclature of the part.

8. SPECIFICATION/SOURCE CONTROL DRAWINGS

Components manufactured for or procured by Grumman under Specification/Source Control Drawings must meet specific design and preproduction test specifications. Each component delivered to Grumman for installation on production aircraft or for use in the spare parts inventory must also meet specific Quality Assurance requirements detailed in the applicable Specification/Source Control Drawing. Grumman assumes no responsibility for the quality, tolerances, or interchangeability of components procured under vendor assigned part numbers from sources other than Grumman.

GRUMMAN AMERICAN AVIATION
GA-7/COUGAR
ILLUSTRATED PARTS CATALOG

9. USABLE ON CODE

The Usable On Codes will be supplied as they become effective.

GRUMMAN AMERICAN AVIATION
GA-7/COUGAR
ILLUSTRATED PARTS CATALOG

10. **AIRCRAFT SERVICE BULLETINS**

The following Aircraft Service Bulletins have been incorporated into this publication:

ASB No.	Subject	Aircraft Effectivity
---------	---------	----------------------

The Aircraft Service Bulletins will be supplied as they become effective.

11. AIRCRAFT SERVICE LETTERS

The following Aircraft Service Letters have been incorporated into this publication:

ASL No.	Subject	Aircraft Effectivity
----------------	----------------	-----------------------------

The Aircraft Service Letters will be supplied as they become effective.

GRUMMAN AMERICAN AVIATION
GA-7/COUGAR
ILLUSTRATED PARTS CATALOG

12. VENDOR'S CODE

The Vendor's Codes, in numerical order, are as follows:

H4 Federal Supply Code No.	Vendor	H4 Federal Supply Code No.	Vendor
	Aerosonic Corporation Clearwater, Florida 33518	01556	Mite Corporation Heli-Coil Products Division Shelter Rock Lane Danbury, Connecticut 06810
	Aerosonic Navigation Systems Carrollton, Texas 75006	02660	Bunker-Ramo Corporation The Amphenol Connector Division 2801 South 25th Avenue Broadview, Illinois 60153
	Centry Company, Incorporated P.O. Box 134 Wyncote, Pennsylvania 19095	02697	Parker Seal Company Division of Parker-Hannifin Corporation 2360 Palumbo Drive Lexington, Kentucky 40509
	Facet Enterprises, Incorporated Motor Components Division Elmira, New York 14903	02750	Consolidated Controls Corporation 15 Durant Avenue Bethel, Connecticut 06801
	Hartwell Corporation 900 South Richfield Road Placentia, California 92670	02833	Antenna Specialists Company The Division of Allen Electric and Equipment Company 12435 Euclid Avenue Cleveland, Ohio 44106
	Heyco Products Company 200 Albert Street Waukesha, Wisconsin 53186	03007	H. A. Guden Company, Incorporated 1375 Bangor Street P.O. Box 297 Copiague, Long Island, New York 11726
	Hurd Lock Company 603 Bohannon Avenue Greenville, Texas 37743	03481	B. F. Goodrich Company 500 South Main Akron, Ohio 44318
	Lee Craft Corporation Long Island, New York	04426	Illinois Tool Works, Incorporated Licon Division 66 West Irving Park Road Chicago, Illinois 60634
	Porter-Thermoid Division 2135 America Industrial Way Chamblee, Georgia 30005	04713	Motorola, Incorporated Semiconductor Products Division 5005 East McDowell Road Phoenix, Arizona 85008
	Stimpson Company, Incorporated Bayport, New York 11705	04963	Minnesota Mining & Manufacturing Company Industrial Tape Division St. Paul, Minnesota 55101
00779	AMP, Incorporated P.O. Box 3608 Harrisburg, Pennsylvania 17105		
01414	Aircraft Porous Media, Incorporated 30 Sea Cliff Avenue Glen Cove, New York 11542		

GRUMMAN AMERICAN AVIATION**GA-7/COUGAR****ILLUSTRATED PARTS CATALOG**

H4 Federal Supply Code No.	Vendor	H4 Federal Supply Code No.	Vendor
05231	Mechanical Products Corporation 1824 River Street Jackson, Michigan 49204	09527	Thomas G. Faria Corporation 15 Faria Lane Uncasville, Connecticut 06382
05657	Corbin Hose Clamp Division 225 Episcopal Road Berlin, Connecticut 06037	10059	Barker Engineering Corporation 165 Sumner Avenue Kenilworth, New Jersey 07033
05820	Wakefield Engineering Incorporated Audubon Road Wakefield, Maine 01880	10966	Casco Products, Incorporated 512 Hancock Avenue Bridgeport, Connecticut 06602
05832	Pioneer Standard P.O. Box 05100 Cleveland, Ohio 44105	11139	Deutsch Company Electronic Components Division Municipal Airport Banning, California 92220
05972	Loctite Corporation 705 North Mountain Road Newington, Connecticut 06111	12405	Hysol Corporation of California 9640 Telstar Avenue El Monte, California 91731
06987	General Design Incorporated 11676 Tuxford Sun Valley, California 91352	13257	ESNA Ltd P.O. Box 250 Agincourt, Toronto, Ontario, Canada
08484	Aero-Seal Division of Breeze Corporations 700 Liberty Avenue Union, New Jersey 07083	13499	Collins Radio Company 5225 Avenue C North East Cedar Rapids, Iowa 52406
08806	General Electric Company Miniature Lamp Department Nela Park Cleveland, Ohio 44112	13511	Bunker-Ramo Corporation The Amphenol Connector Division 14600 Winchester Boulevard Los Gatos, California 95030
08894	United Instrument Company 574 President Street Brooklyn, New York 11215	14798	Deutsch Metal Components Division P.O. Box 61188 Los Angeles, California 90061
09033	Slick Electro Incorporated 515 18th Street Rockford, Illinois 61108	15860	Astro Division New Hampshire Ball Bearings Incorporated 155 Lexington Avenue Laconia, New Hampshire 03246
09298	Control Switches Incorporated P.O. Box 45648 6241 West 89th Street Los Angeles, California 90045	16455	United Instruments Incorporated 2415 South Glendale Wichita, Kansas 67210
09393	Rochester Gauges Incorporated of Texas P.O. Box 20180 Dallas, Texas 75220	16476	Datcon Instrument Company P.O. Box 128 East Petersburg, Pennsylvania 17520
09498	Dill Manufacturing Company of Canada, Ltd. 215 Evans Avenue Toronto, Ontario, Canada	17105	Lenner Tool and Die Company 5350 Helen Avenue Jennings, Missouri 63136

GRUMMAN AMERICAN AVIATION
GA-7/COUGAR
ILLUSTRATED PARTS CATALOG

H4 Federal Supply Code No.	Vendor	H4 Federal Supply Code No.	Vendor
17324	Laketown Manufacturing Corporation Box 27A Waconia, Minnesota 55387	06022	Thompson Industries Incorporated Manhasset, New York
19728	Prestolite Company The Division of Eltra Corporation P.O. Box 931 511 Hamilton Street Toledo, Ohio 43601	26066	Minnesota Mining and Manufacturing Company 3M Center St. Paul, Minnesota 55101
19738	Avdel Corporation 10 Henry Street Teterboro, New Jersey 07608	26124	Garlock Bearings Incorporated 16 Fellowship Road Cherry Hill, New Jersey 08034
21207	Alcor Aviation Incorporation Avtec Division 1222 99th Street San Antonio, Texas 78214	26433	Airborne Manufacturing Company 711 Taylor Street Elyria, Ohio 44035
21649	Otto Controls Division of Otto Engineering Incorporated 36 Main Street Carpentersville, Illinois 60110	26580	Manufacturers Division Incorporated Box 1766 Station A Canton, Ohio 44705
21728	Danly Machine Corporation 1600 East Nine Mile Road Ferndale, Michigan 48220	27191	Cutler Hammer Incorporated Power Distribution and Control Division 4201 North 27th Street Milwaukee, Wisconsin 53216
22373	King Radio Corporation 400 North Rogers Road Olathe, Kansas 66061	27745	Associated Spring Corporation Wallace Barnes Division State Fair Boulevard Syracuse, New York 13209
22973	Radatron Incorporated 2424 Niagara Falls Boulevard P.O. Box.177 North Tonawanda, New York 14120	31720	Gerdes Products Incorporated Box 142 Brookville, Ohio 45309
23040	Ford Marketing Corporation Autolite-Ford Parts Division P.O. Box 3000 Livonia, Michigan 48151	31722	Lamar Incorporated Burlington County Airport Medford, New Jersey 08055
23939	The Captor Corporation 5040 South County Road 25A Tipp City, Ohio 45371	34199	Kohler Company High Street Kohler, Wisconsin 53044
24692	Hartzell Propeller Incorporated 350 Washington Avenue P.O. Box 909 Piqua, Ohio 45356	34748	Secode Electronics Division of Communications Industries Incorporated 908 Dragon Street Dallas, Texas 75207
26002	Thompson Industries Limited 1900 West 144th Street Gardena, California 90249	34785	DEK, Incorporated 1555 Hawthorne Lane West Chicago, Illinois 60185
		35553	Miner Company, Ltd. P.O. Box 279 Granby, Quebec, Canada

GRUMMAN AMERICAN AVIATION**GA-7/COUGAR****ILLUSTRATED PARTS CATALOG**

H4 Federal Supply Code No.	Vendor	H4 Federal Supply Code No.	Vendor
44655	Ohmite Manufacturing Company 3601 West Howard Street Skokie, Illinois 60076	71366	Bunting Brass and Bronze Company 724-30 Spencer Street P. O. Box 934 Toledo, Ohio 43601
53655	Scott Aviation Division A-T-O Incorporated 225 Erie Street Lancaster, New York 14086	71400	Bussman Manufacturing Division P. O. Box 69F St. Louis, Missouri 63166
56172	EDO-AIRE Mitchell P. O. Box 610 Municipal Airport Mineral Wells, Texas 76067	71513	Cleveland Aircraft Products Division of Van Sickle Industries Incorporated P. O. Box 158 1160 Avon Center Road Avon, Ohio 44011
59446	Telex Corporation P. O. Box 1526 Tulsa, Oklahoma 73101	71694	Corbin P and F Division of Emhart Corporation 225 Episcopal Road Berlin, Connecticut 06037
59730	The Thomas and Betts Company 36 Butler Street Elizabeth, New Jersey 07207	72512	Harry Davies Molding Company 4920 West Bloomingdale Avenue Chicago, Illinois 60639
66821	Eaton Corporation Lock and Hardware Division Rye, New York 10580	72914	Grimes Manufacturing Company 515 North Russell Urbana, Ohio 43078
70040	AC Spark Plug Division of General Motors Corporation 1300 North Dort Highway Flint, Michigan 48556	72962	Elastic Stop Nut Division of Amerace Esna Corporation 2330 Vauxhall Road Union, New Jersey 07083
70134	Aero Instrument Company Incorporated 14901 Emery Avenue Cleveland, Ohio 44135	73134	The Heim Universal Division of North American Rockwell Corporation 60 Round Hill Road Fairfield, Connecticut 06430
70214	Airpath Instrument Company 13150 Gist Road Bridgeton, Missouri 63931	73197	Hi-Shear Corporation 2600 Skypark Drive Torrance, California 90509
70417	Chrysler Corporation Amplex Division 6501 Harper Avenue Detroit, Michigan 48211	73559	Carling Switch Incorporated 505 New Park Avenue West Hartford, Connecticut 06110
70436	Arens Controls Incorporated 2017 Greenleaf Street Evanston, Illinois 60202	74400	Hobbs Division Stewart-Warner Corporation Yale Boulevard and Ash Street Springfield, Illinois 62705
71286	Rex Chainbelt Incorporated Camlock Division 24 Spring Valley Road Paramus, New Jersey 07652		

GRUMMAN AMERICAN AVIATION**GA-7/COUGAR****ILLUSTRATED PARTS CATALOG**

H4 Federal Supply Code No.	Vendor	H4 Federal Supply Code No.	Vendor
75165	Johns-Manville P. O. Box 102130 68 Annex Atlanta, Georgia 30368	80813	Dimco-Gray Company 8200 South Suburban Road Centerville, Ohio 45459
75345	Kirkhill Rubber Company 300 East Cypress Street Brea, California 92621	81579	Mason Electric Company Incorporated 440 Los Feliz Road Glendale, California 91204
75376	Kurz-Kasch Incorporated 1421 South Broadway Dayton, Ohio 45401	81741	Chicago Lock Company 4311 West Belmont Avenue Chicago, Illinois 60641
76005	Lord Kinematics Corporation P. O. Box 360502M Pittsburgh, Pennsylvania 15251	82389	Switchcraft Incorporated 5555 North Elston Avenue Chicago, Illinois 60630
76385	Minor Rubber Company, Incorporated 49 Ackerman Street Bloomfield, New Jersey 07003	83044	Dayton Aircraft Products Incorporated P. O. Box 8007 812 Northwest 1st Street Fort Lauderdale, Florida 33310
77122	Palnut Company Glenn Road Mountainside, New Jersey 07902	83326	Safe Flight Instrument Corporation P. O. Box 550 White Plains, New York 10602
78190	Shakespeare Company Incorporated 241 East Kalamazoo Avenue Kalamazoo, Michigan 49001	83478	Rubbercraft Corporation of America, Incorporated 151 Orange Avenue West Haven, Connecticut 06503
78553	Tinnerman Products Incorporated 8700 Brookpark Road Cleveland, Ohio 44129	83564	Wemac Company 3433 West Harvard Santa Ana, California 92704
80089	Essex Group Incorporated Controls Division 131 Godfrey Street Logansport, Indiana 46917	84792	Heppner Manufacturing Company P. O. Box Q Round Lake, Illinois 60073
80254	Avco Lycoming Williamsport Division P. O. Box 371097M Pittsburgh, Pennsylvania 15251	84830	Lee Spring Division P. O. Box 3503 New York, New York 10001
80477	Adams-Rite Manufacturing Corporation 540 West Chevy Chase Drive Glendale, California 91204	85226	Dorne and Margolin Incorporated A Sub of Dynaport Electronics Incorporated 2950 Veterans Memorial Highway Bohemia, New York 11716
80523	American Chain and Cable Company Incorporated Cables Controls Division 1022 East Michigan Street Adrian, Michigan 49221	86768	Teledyne Republic Manufacturing 15655 Brookpark Road Cleveland, Ohio 44135
80657	The Torrington Company Bantam Bearings Division 3702 West Sample Street South Bend, Indiana 46621	86850	Champion Spark Plug Company 1006 Fisher Building Detroit, Michigan 48202

GRUMMAN AMERICAN AVIATION
GA-7/COUGAR
ILLUSTRATED PARTS CATALOG

H4 Federal Supply Code No.	Vendor	H4 Federal Supply Code No.	Vendor
87120	Mechanics Engineering Company Incorporated 1318 Wildwood Avenue Jackson, Michigan 49204	99321	Shaw Aero Devices Incorporated Drawer V East Hampton, New York 11937
91802	Industrial Devices Incorporated 982 River Road Edgewater, New Jersey 07020	99539	General Fire Extinguisher Corporation 1685 Shermer Road Northbrook, Illinois 60062
91929	Honeywell, Incorporated Micro Switch Division Chicago and Spring Streets Freeport, Illinois 61032		
92194	Alpha Wire Corporation 711 Lidgerwood Avenue Elizabeth, New Jersey 07207		
93493	Narco Avionics Fort Washington Industrial Park Fort Washington, Pennsylvania 19034		
96152	Marvel-Schebler Division of Borg-Warner Corporation 2195 South Elwin Road Decatur, Illinois 62525		
96881	Thomson Industries 1029 Plandome Road Manhasset, New York 11030		
96941	Elano Corporation 2455 Dayton Xenia Road Xenia, Ohio 45385		
97539	APM-Hexseal Corporation 44 Honeck Street Englewood, New Jersey 07631		
98410	ETC Division of ITT 990 East 67th Street Cleveland, Ohio 44103		
98427	Jaco Products Company Incorporated 3400 Hamilton Avenue Cleveland, Ohio 44114		
98660	Flodar Corporation 16911 St Clair Avenue Cleveland, Ohio 44110		
98810	Aerosonic Corporation P. O. Box 4627 1212 North Hercules Clearwater, Florida 33518		

Part Number	Figure & Index Number	Part Number	Figure & Index Number	Part Number	Figure & Index Number
A-049-4P	32-17 - 13	ADF141	34-12 - 1	AN3-11	27- 6 - 16
A-110-10	32-17 - 18	AES200-6	32-21 - 18		27- 8 - 26
A-115-4	32-12 - 27	AES200-8	32-21 - 18		32- 4 - 4
A-1257A-3	33- 1 - 7	AGC-5	24- 2 - 48	AN3-11A	32- 4 - 33
A-1835	61- 2 - 15		33- 3 - 14		27-10 - 29
A-2064-17-1073	33- 1 - 11	AGC10	33- 5 - 12	AN3-13A	32-12 - 23
A-2109-3	33- 1 - 15	AHR350	34- 6 - 5	AN3-14A	52- 4 - 14
A-2405-2	61- 1 - 9		80- 1 - 18	AN3-15	21- 5 - 25
A-4513-1	33- 1 - 14	AN-67A	25- 6 - 11	AN3-16A	32-12 - 11
A-6	28- 1 - 4	ANS-20	23- 3 - 1	AN3-17A	32- 6 - 29
	71-10 - 5	ANS-30	34-22 - 1	AN3-20A	32-10 - 25
	71-10 - 8	AN174-10	27- 8 - 18		32-10 - 30
A-7512-12	33- 1 - 8	AN174-20	34- 4 - 1	AN3-25A	32- 1 - 13
A-8	28- 1 - 3	AN23-10	34- 4 - 3		53- 4 - 9
A-850-8	32-17 - 31	AN23-11	32- 6 - 3	AN3-26	27-10 - 64
A-9	27-13 - 47	AN23-12	32- 6 - 4		32- 4 - 19
AA-110-1	32- 3 - 16	AN23-13	25- 2 - 59	AN3-3	32- 4 - 26
AA-1332-9	32- 3 - 9	AN23-18	27- 6 - 24	AN3-3A	21- 3 - 17
AA-304-24	32- 6 - 11	AN23-22	27- 8 - 11		21- 5 - 3
AA-304-35	32- 6 - 12	AN24-10	32- 9 - 1		24- 1 - 27
AA-304-7	32- 2 - 29	AN24-13	61- 4 - 2		24- 3 - 19
AA-401-5	32- 9 - 12	AN24-14	27- 2 - 18		27-11 - 15
AA-628-6	32- 3 - 17	AN24-18	27-10 - 56		28- 5 - 14
AA110-2	32- 1 - 11	AN2552-3A	27- 2 - 11		32-10 - 41
AA225-2	27-10 - 66	AN3-10	32-19 - 2		32-18 - 7
AA226-4	27- 9 - 16	AN3-10A	27- 6 - 37	AN3-4A	80- 1 - 15
	27-10 - 37		27- 6 - 38		21- 1 - 20
AA304-11	27- 3 - 2		32- 5 - 14		21- 5 - 7
AA304-33	27- 3 - 3		27-10 - 51		22- 3 - 4
AA304-7	32- 4 - 11		32- 9 - 8		27- 3 - 8
AA306-3	32- 4 - 23		32-17 - 33		32- 4 - 66
AA309-8	32- 4 - 10		27- 1 - 2	AN3-5	53- 4 - 16
ACL05H-4609E4	32-12 - 15		27- 4 - 2		53- 4 - 20
	32-16 - 11		27- 4 - 3		78- 1 - 14
AC356-1032	27-14 - 10		27- 6 - 12		32-21 - 1
AC356-832	33- 4 - 3		27- 8 - 9		34- 7 - 24
	33- 5 - 3		27- 8 - 22		34-20 - 12
ADF101	34-12 - 3		32- 4 - 49		34-27 - 13
			32- 4 - 57		71- 9 - 6
			27- 1 - 3	AN3-5A	27-11 - 12
			27- 8 - 10		27-12 - 12
			24- 3 - 1		27-13 - 10
			32-18 - 2		28- 9 - 8
			27-11 - 13		52- 4 - 3
			32- 4 - 39		56- 3 - 3
			32- 6 - 32		56- 3 - 7
				AN3-6	32- 5 - 3
				AN3-6A	21- 3 - 24
					21- 3 - 24
					22- 4 - 4
					25- 2 - 52
					27-12 - 14
					32-10 - 58

Part Number	Figure & Index Number	Part Number	Figure & Index Number	Part Number	Figure & Index Number
AN3-7	73- 2 - 24	AN316-4R	27- 1 - 9	AN365-440	22- 7 - 13
AN3-7A	32-10 - 63		27-10 - 49		22- 2 - 15
AN3H25A	27-12 - 43		27-11 - 5	AN365-524	32- 1 - 37
AN3H26A	27-11 - 36	AN316-5	27-12 - 5		32-10 - 75
	39- 6 - 15		27-13 - 31	AN365-524C	32- 7 - 16
AN3H3A	52- 2 - 5	AN316-6		AN365-832	27- 4 - 10
	61- 2 - 5	AN316-6R	27- 4 - 7	AN380-2-2	32-21 - 4
AN3H4A	32- 3 - 3	AN316C4R	32-21 - 10	AN4-10	27- 7 - 4
AN3H7A	52- 2 - 14	AN320-3	25- 2 - 61		27-13 - 26
AN310-C4	32-21 - 8		27- 2 - 11	AN4-10A	32-21 - 12
AN310-10	73- 2 - 26		27- 2 - 18		27-12 - 40
AN310-15	32-10 - 2		27- 6 - 16	AN4-11	27- 5 - 2
AN310-3	21- 3 - 19		27- 6 - 24		27- 6 - 8
	32- 4 - 8		27- 6 - 37		27- 7 - 5
	32- 4 - 22		27- 6 - 38		32-17 - 19
	32- 4 - 30		27- 8 - 11	AN4-11A	27- 6 - 43
	32- 4 - 36		27- 8 - 26		27- 7 - 12
	32-18 - 4		27-10 - 54	AN4-12A	25- 1 - 3
	61- 4 - 3		27-10 - 58	AN4-13A	78- 1 - 4
AN310-4	27- 5 - 2		27-10 - 70	AN4-15A	27- 3 - 3
	27- 7 - 4	AN320-4	32- 5 - 4		32-10 - 19
	27- 7 - 5		32- 5 - 17	AN4-16	27- 2 - 45
	27- 8 - 4		32-19 - 5	AN4-16A	27- 3 - 2
	27- 8 - 5		32-20 - 3		27-11 - 25
	27- 8 - 36		27- 1 - 2	AN4-17A	27-12 - 27
	27- 8 - 37		27- 1 - 3	AN4-21A	27- 3 - 14
	27-13 - 24		27- 1 - 7		27- 9 - 5
	27-13 - 28		27- 2 - 35		27-11 - 23
	32- 1 - 4		27- 2 - 45		32- 1 - 21
	32- 4 - 9		27- 4 - 2		32- 6 - 7
	32- 6 - 6		27- 4 - 3	AN4-23A	32- 1 - 20
	32- 6 - 59		27- 6 - 17	AN4-24A	27- 5 - 4
AN310-5	27- 2 - 42		27- 8 - 9		27- 9 - 4
	27- 9 - 18		27- 8 - 10		27-10 - 31
	32- 1 - 3		27- 8 - 22		27-11 - 34
AN310-6	71- 6 - 18		27-11 - 2		27-12 - 34
AN310C4	78- 1 - 6		27-11 - 3		27-13 - 5
AN31142A	79- 1 - 2	AN320-5	27-12 - 2	AN4-25A	27-11 - 32
AN315-3R	27- 7 - 20		27-12 - 3		27-12 - 34
	27-10 - 26		27-13 - 19	AN4-3A	27- 7 - 8
	30- 2 - 6		27-13 - 39		28- 6 - 3
	32-19 - 7		32- 4 - 52	AN4-31	27- 2 - 35
	61- 2 - 19	AN320-8	32- 4 - 60	AN4-4A	71- 6 - 2
	71-11 - 1		32-17 - 33	AN4-5A	27- 5 - 9
	73- 2 - 7				39- 3 - 3
	73- 2 - 29		32- 6 - 39	AN4-6A	32-13 - 7
	73- 3 - 7		32- 6 - 43		
AN315C3R	21- 5 - 32	AN343A	32-10 - 9		
AN316-4	32- 3 - 13	AN364-428	32-11 - 9		
	32- 4 - 16		32-11 - 51		
	32- 4 - 64	AN364-428C	32-11 - 51		
		AN364-624	32- 1 - 9		
			32- 3 - 7		
			57- 1 - 2		
			52- 2 - 19		
			71- 2 - 9		
			71- 6 - 5		
			32-10 - 99		

Part Number	Figure & Index Number	Part Number	Figure & Index Number	Part Number	Figure & Index Number
AN4-6A	55- 2 - 8 55- 2 - 11 71- 2 - 9	AN5-30A	27- 2 - 16 27- 8 - 20	AN6227-27	32-10 -101
AN4-65A	27- 6 - 30 27- 8 - 14 27-11 - 30 27-12 - 32	AN5-35A	32- 1 - 35	AN6289D4	32-13 - 2 32-14 - 6
AN4-7	27- 8 - 4 27- 8 - 5 27- 8 - 36 27-11 - 2 27-11 - 3 27-12 - 2 27-12 - 3	AN5-36A	32-10 - 73	AN66-21R	61- 2 - 20
AN4-7A	25- 1 - 7 27- 5 - 13 27- 9 - 3 32- 8 - 1 32-11 - 14 52- 4 - 4 55- 1 - 8 55- 1 - 15 55- 1 - 18 55- 2 - 2	AN5-64A	27- 6 - 28 27- 8 - 16	AN665-21R	21- 5 - 34 73- 2 - 6
AN4-80A	27- 8 - 7	AN5-67A	27- 2 - 23 27- 6 - 26	AN665-212	73- 3 - 6
AN4C5	78- 1 - 6	AN5-7A	32-12 - 4 55- 2 - 7	AN6989D4	32-14 - 2
AN4H-16A	32-10 - 94	AN500-416-6	71- 2 - 6 71- 4 - 3 71- 4 - 8 71- 4 - 15 71- 4 - 22	AN7-40A	24- 2 - 3
AN4H10	27- 7 - 6	AN502-10-6	28- 7 - 7	AN7-45A	71- 6 - 7
AN4H10A	27- 5 - 7	AN505-4-6	22- 2 - 13	AN737-TW38	32- 2 - 4
AN4H7A	27- 5 - 1	AN507-632R6	22- 2 - 40	AN737TW114	21- 1 - 10
AN42-815	32- 4 - 44	AN515C3R4	33- 4 - 5 33- 5 - 5	AN737TW38	71-10 - 2
AN428-36A	32- 5 - 5	AN520-10R8	24- 2 - 12	AN737TW82	21- 1 - 15
AN5-10A	55- 1 - 9	AN525-10R1	56- 1 - 7	AN737TW91	71- 9 - 4
AN5-11	27- 2 - 42	AN525-832-R8	27- 4 - 8	AN742-3	21- 3 - 15 32-18 - 10
AN5-11A	27- 2 - 21 27- 2 - 25 27- 6 - 35 53- 1 - 12	AN526-1032R6	78- 1 - 8	AN743Z12	32-18 - 11
AN5-12	32-10 - 7	AN526-832-R	33- 1 - 2 33- 1 - 18 33- 4 - 2 33- 5 - 2	AN80404	32-17 - 19 32-12 - 28 32-14 - 1 32-15 - 16
AN5-13	53- 1 - 97	AN5261032-6	32-20 - 7	AN80416	28- 2 - 43 28- 3 - 44
AN5-15A	32-10 - 7	AN56506H6	39- 6 - 8	AN807-4J	77- 1 - 22
AN5-16A	27- 2 - 33	AN6-11A	27- 7 - 17 55- 2 - 3	AN815-4D	28- 1 - 6 28- 1 - 14 32-10 - 51 32-10 - 96 32-15 - 7 32-15 - 11 32-16 - 12 77- 1 - 5
AN5-17	32- 1 - 3	AN6-14A	27- 3 - 14	AN815-4D	32- 2 - 9
AN5-20A	53- 1 - 94	AN6-21A	32- 1 - 6	AN815-6D	28- 2 - 40 28- 4 - 1 28- 7 - 1
AN5-22A	27-11 - 21	AN6-22	71- 6 - 16	AN816-4-4	61- 2 - 13
AN5-26A	32-19 - 28	AN6-25A	27- 5 - 5	AN816-4D	32-17 - 70
AN5-27A	27-12 - 38	AN6-30A	32- 1 - 7	AN816-4J	77- 1 - 24
		AN6-33A	32-10 - 11	AN816-6-6	79- 1 - 14
		AN6-42A	32- 6 - 14	AN818-4D	28- 1 - 6
		AN6H14A	27- 4 - 5	AN818-6D	28- 1 - 11
		AN6H36A	32-11 - 1		

SECTION II
NUMERICAL INDEX

GLUMMAN AMERICAN AVIATION
GA-7/COUGAR
ILLUSTRATED PARTS CATALOG

SECTION II
NUMERICAL INDEX

Part Number	Figure & Index Number	Part Number	Figure & Index Number	Part Number	Figure & Index Number
AN818-8D	28- 1 - 13	AN924-4D	28- 2 - 10 28- 2 - 11 28- 3 - 10 28- 3 - 11 28- 5 - 12 32-12 - 22 32-12 - 30 32-12 - 35 32-15 - 4 32-15 - 17 32-16 - 9 32-17 - 22 77- 1 - 9	AN936A416	71- 4 - 16 71- 4 - 23
AN821-4J	77- 1 - 3			AN936A516	78- 1 - 9
AN822-4D	32-17 - 12 32-17 - 17			AN936A8	27-11 - 41 27-12 - 49 34- 7 - 21 39- 6 - 17
AN832-4D	28- 2 - 11 28- 3 - 11 32-12 - 33 32-15 - 3			AN936B416	71- 6 - 4
AN832-6D	28- 1 - 11 28- 2 - 18 28- 2 - 27 28- 3 - 18 28- 3 - 30	AN924-4J	77- 1 - 19 77- 1 - 23	AN960-C416L	32- 6 - 9
AN832-8D	28- 1 - 13 28- 2 - 2 28- 3 - 2	AN924-4K	32-10 - 48	AN960-D616	27- 7 - 17
AN833-2	28- 2 - 23 28- 3 - 23	AN924-5D	34- 3 - 31	AN960-D8	34- 1 - 2 34- 1 - 4
AN833-4D	28- 5 - 10 32-13 - 1 32-14 - 5 32-17 - 21	AN924-6	73- 1 - 6	AN960-PD1816L	32- 1 - 15
AN833-4K	32-10 - 46	AN924-6D	28- 1 - 11 28- 2 - 17 28- 2 - 18 28- 2 - 27 28- 2 - 30 28- 2 - 31 28- 3 - 17 28- 3 - 18 28- 3 - 27 28- 3 - 30 28- 3 - 31 28- 3 - 44 28- 5 - 4 28- 7 - 5	AN960-PD416L	27- 8 - 5
AN833-6D	28- 2 - 31 28- 3 - 31 28- 5 - 2 28- 7 - 3			AN960-10	12- 1 - 2 12- 1 - 4 21- 3 - 18 21- 3 - 24 21- 3 - 24 21- 5 - 18 21- 5 - 33 22- 3 - 5 22- 3 - 9 22- 4 - 5 22- 5 - 4 24- 3 - 3 25- 1 - 47 25- 2 - 60 27- 2 - 11 27- 2 - 18 27- 3 - 9 27- 3 - 9 27- 6 - 10 27- 6 - 16 27- 6 - 24 27- 6 - 26 27- 6 - 37 27- 6 - 38 27- 8 - 11 27- 8 - 18 27- 8 - 26 27-10 - 22 27-10 - 52 27-10 - 57 27-11 - 36 27-12 - 36 27-13 - 11 27-13 - 42 27-14 - 19 28- 9 - 8 30- 2 - 5 30- 2 - 9 30- 2 - 10 32- 1 - 13 32- 4 - 5 32- 4 - 20 32- 4 - 28 32- 4 - 34 32- 4 - 45 32- 5 - 16 32- 6 - 29
AN833-8D	28- 2 - 4 28- 3 - 4 28- 5 - 5	AN924-8D	28- 1 - 13 28- 2 - 2 28- 2 - 4 28- 3 - 2 28- 3 - 4 28- 5 - 7		
AN837-4D	28- 2 - 10 28- 3 - 10 32-16 - 9 77- 1 - 8	AN935-416	53- 1 - 92		
AN837-6D	28- 2 - 17 28- 2 - 30 28- 3 - 17 28- 3 - 27 28- 7 - 3	AN935-6L	39- 5 - 16		
AN838-4J	77- 1 - 20	AN936	28- 9 - 13		
AN840-4D	77- 1 - 16	AN936-A10	32-10 - 68		
AN842-4D	71-10 - 6	AN936-A416	22- 2 - 50		
AN910-1J	77- 3 - 3	AN936-A6	22- 2 - 44		
AN912-2	79- 1 - 13 79- 1 - 17	AN936-A8	22- 2 - 50 22- 4 - 9		
AN916-416L	32-10 - 95	AN936-B10	24- 2 - 9		
AN924-2	28- 2 - 23 28- 3 - 23	AN936-B8	33- 3 - 7		
AN924-4D	28- 1 - 6 28- 1 - 14	AN936A10	32-14 - 11		
		AN936A416	32-13 - 8 71- 2 - 7 71- 4 - 4 71- 4 - 9		

SECTION II
NUMERICAL INDEX

GRUMMAN AMERICAN AVIATION
GA-7/COUGAR
ILLUSTRATED PARTS CATALOG

SECTION II
NUMERICAL INDEX

Part Number	Figure & Index Number	Part Number	Figure & Index Number	Part Number	Figure & Index Number
AN960-416	32-21 - 6 39-3 - 4 52-4 - 4 53-1 - 77 53-1 - 78 53-1 - 80 55-1 - 8 71-2 - 8 71-2 - 9 71-6 - 3	AN960-516	32-12 - 5 32-19 - 29 53-1 - 13 53-1 - 95 53-1 - 98 55-1 - 9	AN960-8	22-2 - 52 22-5 - 11 25-2 - 41 25-4 - 54 27-3 - 6 33-1 - 3 33-2 - 4 33-2 - 5 34-10 - 12 39-3 - 11 39-5 - 20 39-6 - 1 39-6 - 25 52-5 - 10 71-12 - 4 77-4 - 4
AN960-416L	25-4 - 20 27-1 - 2 27-1 - 3 27-5 - 1 27-5 - 7 27-5 - 9 27-5 - 13 27-11 - 3 27-11 - 23 27-11 - 25 27-12 - 3 27-12 - 27 27-13 - 3 28-6 - 4 32-1 - 4 32-4 - 7 32-4 - 51 32-4 - 59 32-10 - 20 32-21 - 7 52-2 - 10 52-4 - 4 52-4 - 6 52-4 - 11 55-1 - 15 55-1 - 18 71-9 - 31	AN960-516L	21-5 - 27 27-2 - 23 27-6 - 26 27-8 - 18 27-11 - 34 32-2 - 17 39-5 - 38 57-1 - 3	AN960-8L	23-1 - 6 24-2 - 65 32-19 - 13 33-6 - 14 34-18 - 4 34-18 - 7
AN960-516	25-2 - 28 25-2 - 32 25-4 - 21 27-2 - 16 27-2 - 21 27-2 - 23 27-2 - 25 27-2 - 33 27-6 - 26 27-6 - 26 27-6 - 28 27-6 - 35 27-8 - 16 27-8 - 18 27-8 - 18 27-8 - 20 27-9 - 18 27-11 - 21 27-11 - 34 27-12 - 38 28-2 - 23 28-3 - 23 32-1 - 3 32-1 - 36 32-6 - 38 32-6 - 42 32-9 - 2 32-9 - 9 32-10 - 8 32-11 - 8 32-11 - 50	AN960-6	27-2 - 13 27-10 - 41 27-12 - 21 27-12 - 22 32-1 - 11 32-17 - 33 33-6 - 11 34-1 - 7 39-5 - 23 71-9 - 24	AN960-816	32-1 - 9 32-3 - 5 57-1 - 2
		AN960-6L	24-1 - 41 24-2 - 20 24-2 - 31 24-2 - 37 39-5 - 5 39-6 - 2 39-6 - 29 71-5 - 2 71-9 - 17 74-1 - 6	AN960-816L	57-1 - 2
		AN960-616	24-1 - 15 24-2 - 2 24-2 - 15 24-3 - 7 27-3 - 14 27-5 - 5 32-1 - 6 32-1 - 7 32-6 - 15 32-6 - 53 32-8 - 33 32-10 - 12 32-10 - 16 32-11 - 2 32-11 - 12 32-11 - 43	AN960-916	28-2 - 27 28-3 - 27 32-10 - 38
		AN960-616L	27-4 - 5 27-5 - 5 32-10 - 100	AN960C10	52-4 - 14 53-3 - 25
		AN960-716	24-2 - 3 32-12 - 29 32-15 - 4 32-17 - 23 71-6 - 8 77-1 - 9 77-1 - 19 77-1 - 23	AN960C416	52-1 - 4 78-1 - 3 78-1 - 6
		AN960-716L	32-12 - 21	AN960C6L	27-11 - 43 39-5 - 42 39-6 - 23
				AN960C716	32-10 - 47
				AN960D10	25-2 - 5 25-2 - 21 30-2 - 12 30-2 - 13 33-1 - 22 53-4 - 10 61-4 - 7 73-2 - 9
				AN960D10L	25-1 - 28 25-1 - 32 25-1 - 36 28-2 - 1 28-2 - 9 28-2 - 16 28-2 - 28 28-3 - 1 28-3 - 9 28-3 - 16 28-3 - 28 28-3 - 40 28-7 - 8 28-8 - 5

SECTION II
NUMERICAL INDEX

GRUMMAN AMERICAN AVIATION
GA-7/COUGAR
ILLUSTRATED PARTS CATALOG

SECTION II
NUMERICAL INDEX

Part Number	Figure & Index Number	Part Number	Figure & Index Number	Part Number	Figure & Index Number
B-4150B-2	33- 2 - 1	DME190	34-15 - 1	GAES1021A64	56- 2 - 7 56- 2 - 10 56- 2 - 13 56- 2 - 16 56- 2 - 19 56- 2 - 22 56- 4 - 3 56- 4 - 5 56- 4 - 7 56- 4 - 9 56- 4 - 11 56- 4 - 13
B-610	27- 2 - 39	DMN43-3	34-22 - 3 34-29 - 3		
88823-08	25- 6 - 12	DMN48-1	34- 7 - 1		
B00319-1	23- 1 - 4	DDFF-10300J	24- 2 - 1		
B0625-022	39- 5 - 37	DP1250	52- 4 - 10		
B116	27- 6 - 17 27- 8 - 27	D165-100-2	33- 6 - 1 33- 6 - 10	GAES1021A8-68	56- 5 - 3 56- 5 - 5 56- 5 - 8
B118	27- 6 - 20 27- 8 - 30	D20215	61- 2 - 4		
B2150-2	21- 4 - 6	D366	56- 2 - 24 56- 2 - 31	GAES1021Z-4-6	33- 3 - 3
B41316-0007	23- 2 - 10	O4023X5/8	56- 2 - 25	GAES1021Z-6-4	21- 3 - 7
B90701-0102	23- 2 - 13	O6000-06A	25- 4 - 12 25- 4 - 51	GAES1021Z6-48	39- 2 - 6
C-6052-8Z-1	78- 1 - 18	EL099005-100	78- 1 - 13	GAES1021Z6-6	27-15 - 2 27-15 - 5 32-10 - 55 71- 2 - 2 71- 3 - 2 71- 3 - 6 71- 3 - 11 71- 4 - 1 71- 4 - 13 71- 4 - 20
CAT-8	21- 3 - 9	EL099005-102	78- 1 - 15		
CA7212	34- 6 - 1	EL099005-184	78- 1 - 16		
COM 120	23- 2 - 5	EL099005-705	78- 1 - 21		
CP135	23- 2 - 1	EL099005-715	78- 1 - 17		
CP2-3/4G	25- 6 - 1	EL099005-716	78- 1 - 19	GAES1021Z6-68	33- 6 - 4 39- 2 - 4 39- 2 - 8
C1321-832-24	34-15 - 4	FF310-3	27- 9 - 6 27-10 - 32	GAES1021Z6-8	21- 4 - 7 71- 5 - 2
C1529-017-4	27-10 - 9	FF312	27-10 - 46	GAES1021Z8-6	25- 4 - 53
C1784-6Z-1	33- 6 - 4	FF312-1	32-11 - 57	GAES1021Z6-6	33- 1 - 12
C21098-040-24	21- 3 - 3	FF411-1	32- 8 - 36 32-11 - 46	GAES1022Z6	39- 1 - 4
C23-805	34- 1 - 5	FF411-2	32- 6 - 44 32-11 - 52 32-11 - 58	GAES1022Z6-06	27- 7 - 10
C23-806	34- 1 - 8	FF517-2	52- 3 - 12 52- 3 - 31	GAES1022Z6-07	27- 5 - 11
C2350L4M23	34- 1 - 1	FHP6-32X11/16	34-24 - 3 34-25 - 3	GAES1022Z6-6	27- 1 - 5
C6014-6Z-1	27-15 - 6	FIT-105-3-4	24- 1 - 20 24- 1 - 23	GAES1302-1	34- 3 - 14
C71650-104	34-12 - 5	FIT-105-3-4	80- 1 - 11	GAES1303-1	34- 3 - 16 34- 3 - 27
C8091-632-24	32-19 - 37	F391-53S	28- 1 - 9 57- 1 - 36	GAES1304-1	34- 3 - 22 34- 3 - 25
C81192-0024	23- 2 - 14	GAES-1325-4-0220-F	61- 2 - 2	GAES1305-1	34- 3 - 5
DK-021-0625	34- 4 - 35	GAES1021AG-6C	32-17 - 33	GAES1325-2-0120-F	79- 2 - 10
DK-250	22- 2 - 35 34- 3 - 32 34-26 - 15	GAES1021A64	56- 2 - 3	GAES1325-2-0140	32-17 - 8 32-17 - 8
DK002-0188	21- 3 - 14			GAES1325-2-0140-F	61- 2 - 14
DK250	34-12 - 11				
DNC63-2	23- 1 - 34				
DNC70-1	23- 1 - 23				

Part Number	Figure & Index Number	Part Number	Figure & Index Number	Part Number	Figure & Index Number
GAES1325-2-025-F	73- 4 - 10				
GAES1325-4-0120-F	79- 1 - 11	GB511G4-14	53- 1 - 77 53- 1 - 80	GM10U614SC2	27- 8 - 37 27-11 - 7 27-13 - 23
GAES1325-4-0160-F	79- 1 - 15	GB511G4-18	53- 1 - 78	G104-536	32-19 - 26
GAES1325-8-0190	32-12 - 17 37-16 - 8	GC500AN10DT	25- 4 - 43	G375-38	24- 1 - 19 24- 1 - 22 24- 3 - 11 24- 3 - 12 24- 3 - 15 80- 1 - 17
GAES1325-9-0155-F	73- 1 - 2	GC501K-325H2	32-10 - 44		
GAES1325-9-0155F	78- 2 - 32 79- 7 - 32	GE-330	34- 1 - 2		
		GG500C-1	71- 8 - 5		
GAES1604-151	34- 3 - 21	GG500C-2	71- 8 - 6	HC-F2YL-20F/FC7663D	61- 1 - 6
GAES200-6	22- 3 - 10 25- 6 - 4 53- 1 - 61 53- 1 - 108	GG500C1	57- 1 - 43	HF-3M	27-10 - 24
		GLS350	34-18 - 1 34-19 - 1	HF-4GM	27- 1 - 8
GAES200-8	22- 3 - 10 25- 6 - 6 53- 1 - 61 53- 1 - 108	GM512H3	57- 1 - 60 57- 1 - 61	HF-4M	27-13 - 32
		GN512C08-075	53- 1 - 39 55- 1 - 5	HF-4MG	27-13 - 32
GAES404-1-02.10	25- 3 - 11	GN512C03-080	57- 1 - 7	HMJ	24- 2 - 48 25- 6 - 10 33- 3 - 14 33- 5 - 12
GAES404-1-07.70	25- 3 - 10	GN512J4	27- 3 - 11	HKP-HH	34- 6 - 5 80- 1 - 19
GAES404-1-11.80	25- 3 - 9	GR520A-16N	71- 8 - 18	HK251	24- 1 - 34 24- 2 - 46
GAES411-1	57- 5 - 3	GR520A16	57- 1 - 43	HL18PB6-16	53- 4 - 40 53- 4 - 43
GAES416-1	71- 9 - 14	GR540C-1	71- 8 - 4	HL18PB6-17	53- 4 - 28 53- 4 - 43
GAES425-C-12-80	21- 1 - 8	GR540C1	57- 1 - 43	HL18PB6-4	53- 4 - 36 53- 4 - 39
GAES425-C-8-136	21- 1 - 3	GR540E6C	53- 3 - 11 53- 3 - 14	HL18PB6-5	53- 4 - 28 53- 4 - 36
GAES425-C-8-192	21- 1 - 3	GS11E0108G09AE	53- 1 - 19	HL18PB6-6	53- 4 - 41 53- 4 - 44
GAES425-S-10-106	30- 2 - 2 71- 9 - 3	GS11F0108J15AE	53- 1 - 30	HL18PB6-7	53- 4 - 24 53- 4 - 29 53- 4 - 42 53- 4 - 44
GAES425-S-12-148	71- 1 - 12	GS12D203C412A	55- 1 - 21	HL21-6-22	57- 1 - 65
GAES425-S-12-28	21- 1 - 34	GS520A3	57- 1 - 43	HL21-8-21	57- 1 - 70
GAES425-S-12-64	21- 1 - 8	GS520E6-25	53- 3 - 11 53- 3 - 14	HL70-6	53- 4 - 12 53- 4 - 24 53- 4 - 26 53- 4 - 29 53- 4 - 36 53- 4 - 44
GAES425-S-8-104	21- 1 - 14	GS52181	53- 3 - 2 53- 3 - 6		
GA500G-4-2	24- 3 - 7	GS52183	53- 3 - 3		
GA500G4-2	22- 2 - 33	GS551A-40	71- 9 - 10		
GA500V4-4ANV	24- 3 - 12	GS580DA6-15	53- 3 - 11 53- 3 - 14		
GB110-4	34- 4 - 38				
GB5108-4-11	27- 3 - 11	GT51584	22- 2 - 31		
GB511AR4-11A	57- 1 - 3	GT8354F8	21- 1 - 27	HL72-6	57- 1 - 65
GB511AR4-16A	57- 1 - 4	GU500R4	22- 2 - 36	HL72-8	57- 1 - 70
GB511E3-6	57- 1 - 60	GM10A-5	32- 1 - 3		
GB511E3-9	57- 1 - 61				

Part Number	Figure & Index Number	Part Number	Figure & Index Number	Part Number	Figure & Index Number
HL8PB6-16	53- 4 - 12	K81329-0006	23- 2 - 9	MR1215SL	24- 2 - 34
HM-4H	27-11 - 4 27-12 - 4	K8215-405	34-12 - 8	MS-100009	61- 3 - 7
HMV-5M	32- 2 - 20	K82815-0007	23- 2 - 9	MST-205N	22- 1 - 1 22- 2 - 1
HMX-4G	32- 7 - 1	K82816-711	34-12 - 6	MS16555-627	52- 3 - 18
HM27M-73	28-10 - 2	LC-045H-2	27-10 - 15	MS16555-630	52- 3 - 19
HM4M	32-21 - 11	LC-063G-11	27-10 - 47	MS16562-120	27- 4 - 10
HM6GM	27- 4 - 6	LC-135M-7	32- 5 - 10	MS16562-16	53- 1 - 85 53- 1 - 89
HRBL3	73- 2 - 28	LE026C-1	71- 2 - 12	MS16562-24	39- 6 - 5
HTH-2	23- 1 - 21	LE026C3	25- 2 - 57	MS16562-27	32- 7 - 15
H72A3H	52- 4 - 9	LE063E-11	32- 4 - 1	MS16562-29	32- 7 - 11
H74A4H	52- 2 - 8	LK862	21- 5 - 11 30- 2 - 5 61- 3 - 1 61- 4 - 21 71-11 - 2 73- 2 - 32 73- 3 - 9	MS16562-32	27-10 - 18
H9125	52- 4 - 13			MS16562-33	32- 3 - 15
IND350	34-19 - 3			MS16562-37	27-10 - 2
IND351	34-17 - 2	LK862-1	27-10 - 28	MS16562-41	27-12 - 18
IND650	34-20 - 3	LL22G02P41	71- 9 - 10	MS16624-1181	32- 8 - 13 32-11 - 26
JJ034	23- 1 - 22	LT1GK61-6S-WH-AM-	28-10 - 1 39- 6 - 10	MS16625-1056	32- 2 - 5
JV-82	32-19 - 20	LT1L851-6S-WH-AM-	33- 3 - 9	MS16625-1106	32- 2 - 22
J12334-1	71- 6 - 12	LW-13753	73- 1 - 8	MS16625-1131	32- 8 - 12 32-11 - 24
J2218-61	71- 6 - 10	MC1-A106-A36	77- 5 - 5	MS16625-1137	32- 7 - 4
J313P6	33- 3 - 8	MC1-A106-20	77- 5 - 3	MS16625-1262	32- 8 - 27 32-11 - 36
J7763-33	71- 6 - 11	MP1600RT5	34-25 - 4	MS17160-15	53- 3 - 19
J9612-8	71- 6 - 13	MP1600TS	34-26 - 2	MS20002-18	32-10 - 28
J9613-49	71- 6 - 6	MP1600TS	23- 2 - 2 23- 2 - 3 23- 2 - 4 23- 3 - 2 23- 3 - 3 23- 3 - 4 34- 9 - 3 34-10 - 3 34-11 - 3 34-12 - 2 34-13 - 2 34-15 - 2 34-17 - 4 34-19 - 2 34-20 - 2 34-21 - 2 34-22 - 2 34-24 - 4 34-27 - 2 34-28 - 2 34-29 - 2	MS20074-03-10	61- 2 - 24
KA-58	34-28 - 11	MP1600TS	23- 2 - 2 23- 2 - 3 23- 2 - 4 23- 3 - 2 23- 3 - 3 23- 3 - 4 34- 9 - 3 34-10 - 3 34-11 - 3 34-12 - 2 34-13 - 2 34-15 - 2 34-17 - 4 34-19 - 2 34-20 - 2 34-21 - 2 34-22 - 2 34-24 - 4 34-27 - 2 34-28 - 2 34-29 - 2	MS20074-06-07	24- 2 - 2
KI203	34-24 - 2			MS20218-1	27-12 - 20
KI204	34-25 - 2			MS20219-2	27-11 - 22 27-11 - 24 27-11 - 29 27-11 - 31 27-12 - 26 27-12 - 31 27-12 - 33 27-12 - 35 27-12 - 39
KI225	34-27 - 3			MS20220-1	27- 8 - 19 27-11 - 20 27-11 - 33 27-12 - 37
KMA20	23- 5 - 1				
KM610-64	71- 8 - 12				
KR85	34-27 - 1				
KX1758	34-24 - 1 34-25 - 1				
KX1758	23- 5 - 3				
K1215-4-11	32-12 - 16				
K1215-4-12	32-16 - 10	MR121SL	24- 2 - 40		

Part Number	Figure & Index Number	Part Number	Figure & Index Number	Part Number	Figure & Index Number		
MS20220-2	27- 2 - 14 27- 2 - 19 27- 7 - 22 27- 2 - 24 27- 7 - 32 27- 7 - 41 27- 6 - 25 27- 6 - 27 27- 6 - 29 27- 6 - 34 27- 8 - 13 27- 8 - 15 27- 8 - 17 53- 1 - 11	MS20364-1032C	53- 1 - 63 53- 1 - 66 53- 1 - 69 53- 1 - 75 61- 3 - 2 61- 4 - 73 73- 2 - 30	MS20364-624C	24- 3 - 10 32- 8 - 34 32-10 - 13 32-11 - 3 32-11 - 13		
MS20253P2-1125	52- 5 - 2	MS20364-428	24- 2 - 32 24- 2 - 38 25- 1 - 5 27- 3 - 2 27- 3 - 3 27- 3 - 16 27- 5 - 4 27- 6 - 8 32- 4 - 14 32-17 - 41 32-21 - 14 55- 1 - 8	MS20364-632	22- 1 - 14 24- 2 - 20		
MS20253P2-3023	27- 7 - 14			MS20364-632C	24- 1 - 42 74- 1 - 5		
MS20253P2-3256	27- 5 - 15	MS20364-428C	24- 2 - 43 27- 2 - 2 27- 6 - 37 27- 6 - 43 27- 7 - 3 27- 8 - 7 27- 8 - 14 27- 9 - 3 27- 9 - 5 27- 9 - 6 27- 9 - 14 27- 9 - 20 27- 9 - 20 27-10 - 34 27-11 - 23 27-11 - 25 27-11 - 30 27-11 - 32 27-11 - 34 27-12 - 27 27-12 - 32 27-12 - 34 27-12 - 36 32-10 - 23	MS20364-832C	24- 2 - 67	MS20364-720C	24- 2 - 3
MS20253P5-664	32-21 - 16			MS20364-832	23- 1 - 7 25- 5 - 9 25- 5 - 17 33- 6 - 14 34-10 - 12 34-27 - 4 39- 3 - 19 39- 5 - 20		
MS20271810	27- 9 - 12 27- 9 - 12			MS20365-032C	32-10 - 60		
MS2027186	27-12 - 17			MS20365-1032	22- 3 - 6 22- 4 - 6 24- 3 - 4 32-21 - 25 34- 7 - 24 34-20 - 12 34-27 - 13 52- 4 - 3 53- 1 -106 56- 1 - 7 78- 1 - 14 79- 1 - 9		
MS20341-105	61- 4 - 22			MS20365-1032C	22- 3 - 8 24- 2 - 12 27-10 - 23 32- 4 - 46 32- 6 - 30 32- 6 - 34 32-10 - 43 32-12 - 13 32-12 - 25 71-11 - 4 71-11 - 6 71-11 - 7 73- 3 - 8		
MS20364-1924	21- 2 - 18	MS20364-524	25- 2 - 34 53- 1 - 29 55- 1 - 9 57- 1 - 3	MS20365-1082C	32- 1 - 13		
MS20364-1032	21- 3 - 24 21- 3 - 24 21- 5 - 19 21- 5 - 31 23- 1 - 13 25- 1 - 48 25- 2 - 56 25- 5 - 3 27- 3 - 9 27- 6 - 10 30- 2 - 5 30- 2 - 9 30- 2 - 12 30- 2 - 13 32-17 - 24 32-17 - 35 32-17 - 36 32-17 - 43 37-18 - 9 32-20 - 8 32-21 - 3 32-21 - 20 53- 4 - 11 61- 4 - 14 73- 2 - 16 78- 1 - 8	MS20364-524C	27- 2 - 16 27- 2 - 21 27- 7 - 23 27- 2 - 25 27- 2 - 33 27- 6 - 26 27- 6 - 28 27- 6 - 35 27- 8 - 16 27- 8 - 18 27- 8 - 20 27-11 - 21 27-12 - 38 53- 1 - 14	MS20365-428	25- 4 - 22 53- 1 - 77 53- 1 - 78 53- 1 - 80 55- 1 - 18		
MS20364-1032C	24- 2 - 72 27- 2 - 37 27- 9 - 16 27-10 - 38 27-11 - 15 27-12 - 14 28- 9 - 14 32-10 - 27 32-10 - 32 53- 1 - 59	MS20364-624	27- 5 - 5	MS20365-428C	27-12 - 40 32- 1 - 20 32- 1 - 21		
		MS20364-624C	24- 1 - 18 24- 2 - 18	MS20365-524	32-19 - 30 53- 1 - 96		
				MS20365-524C	32-12 - 6		

SECTION II
NUMERICAL INDEX

GRUMMAN AMERICAN AVIATION
GA-7/COUGAR
ILLUSTRATED PARTS CATALOG

SECTION II
NUMERICAL INDEX

Part Number	Figure & Index Number	Part Number	Figure & Index Number	Part Number	Figure & Index Number
MS20365-624C	37- 1 - 6 32- 1 - 7 32- 6 - 16 32- 6 - 54 32-10 - 17 37-11 - 44	MS20426A03	53- 1 - 36 53- 1 -110 53- 2 - 3 53- 7 - 15 53- 3 - 4 53- 3 - 7 53- 3 - 11 53- 3 - 14 53- 3 - 30	MS20995-C32	27- 2 - 5
MS20365-632	71- 9 - 17 71- 9 - 24	MS20426AD3-4	71- 8 - 13 71- 8 - 15	MS20995C20	28- 7 - 8
MS20365-720C	71- 6 - 9	MS20426AD3-5	71- 8 - 11	MS21025-24	32- 1 - 26 32-10 - 72
MS20365-832	22- 2 - 29 22- 5 - 12 34-18 - 7 39- 3 - 12 52- 5 - 10	MS20426AD4	23- 3 - 7 23- 3 - 14 53- 2 - 6 53- 2 - 8 53- 2 - 10 53- 2 - 17 53- 2 - 28	MS21042-04	27-15 - 26 39- 5 - 2
MS20365-838	34-18 - 4	MS20426D3	23- 1 - 26	MS21042-06	27-14 - 16 32-19 - 33 39- 5 - 23
MS20365-918C	32-10 - 39	MS20470AD2	53- 3 - 29	MS21042-08	32-19 - 14 33- 2 - 4 71- 7 - 7
MS20392-1C13	52- 3 - 25	MS20470AD3	34- 7 - 17 53- 1 - 49 53- 3 - 19	MS21042-3	24- 1 - 45 24- 1 - 48 25- 7 - 19 25- 3 - 7 27-11 - 12 27-11 - 13 27-12 - 12 33- 1 - 23 52- 4 - 14
MS20392-1C15	32- 1 - 11	MS20470AD4	27-10 - 61 53- 1 - 10 53- 1 - 24 53- 2 - 19 53- 4 - 2 53- 4 - 7	MS21042-4	25- 1 - 11 39- 3 - 5 52- 1 - 4
MS20392-1C35	32-19 - 24	MS20470AD5	27-11 - 8 27-12 - 8 53- 1 - 22 53- 1 - 26 53- 4 - 3 53- 4 - 5 53- 4 - 14 53- 4 - 33 53- 4 - 32 53- 4 - 34 71-12 - 6	MS21042-6	27- 3 - 14
MS20392-2C11	27-13 - 41	MS20600MP4W2	61- 2 - 9 61- 2 - 11	MS21042D3	28- 3 - 40
MS20392-2C13	21- 5 - 35 73- 2 - 3 73- 3 - 2	MS20819-4	28- 1 - 6	MS21042L06	27-12 - 21 27-12 - 22
MS20392-2C15	61- 2 - 21	MS20822-4D	32-12 - 26	MS21042L3	21- 1 - 22 21- 5 - 6 21- 5 - 10 21- 5 - 14 25- 6 - 3 27-13 - 12 53- 1 - 18 53- 4 - 18 53- 4 - 22
MS20392-2C17	32-17 - 10 32-17 - 15 56- 3 - 5	MS20822-6	61- 2 - 3 61- 2 - 12 79- 1 - 16	MS21042L4	27-13 - 1 27-13 - 7 27-13 - 46 52- 4 - 4 52- 4 - 6 55- 2 - 2
MS20392-2C19	25- 1 - 31	MS20823-6	79- 1 - 12 79- 1 - 18	MS21042L6	27- 7 - 17 55- 2 - 3
MS20392-2C25	25- 1 - 35	MS20825-4J	77- 3 - 2	MS21043-04	21- 2 - 4
MS20392-2C9	25- 1 - 27 27- 6 - 14 27- 8 - 24 27- 8 - 33	MS20825-60	28- 2 - 29 28- 3 - 29	MS21747-3	27-14 - 20
MS20392-2017	32-17 - 3 32-17 - 3			MS21047L08	53- 1 - 6
MS20392-3C17	52- 2 - 2			MS21061-08	27-15 - 23 32-22 - 56 53- 1 -113
MS20392-3C21	25- 1 - 14 52- 2 - 10				
MS20392-3C31	52- 2 - 2				
MS20392-5C25	25- 1 - 12				
MS20392-5C31	25- 1 - 22				
MS20392C13	52- 3 - 21				
MS20426A03	25- 4 - 17 53- 1 - 3 53- 1 - 4 53- 1 - 33				

Part Number	Figure & Index Number	Part Number	Figure & Index Number	Part Number	Figure & Index Number
MS21069-08	23- 1 - 25	MS21919-4	71-11 - 3	MS24665-132	25- 1 - 37
MS21069-3	23- 1 - 32 34- 7 - 6	MS21919DG-3	30- 2 - 11		25- 2 - 58
MS21069L04	27-15 - 17	MS21919DG10	21- 1 - 19 34- 4 - 38		27- 1 - 2
MS21069L3	30- 2 - 10 53- 3 - 30 61- 4 - 7 61- 4 - 15 73- 2 - 17	MS21919DG12	21- 1 - 18		27- 1 - 3
MS21071L3	53- 3 - 29	MS21919DG16	34- 4 - 27 34- 4 - 40		27- 1 - 7
MS21078-3	25- 4 - 16	MS21919DG3	32-20 - 9		27- 1 - 10
MS21083N09	33- 1 - 4 33- 1 - 19	MS21919DG32	21- 1 - 17 21- 2 - 15		27- 2 - 11
MS21083N3	12- 1 - 2 12- 1 - 4 32- 9 - 6 32- 9 - 13 32- 9 - 18 71-12 - 2	MS21919DG4	34- 3 - 11		27- 2 - 13
MS21083N4	25- 1 - 55 25- 1 - 58	MS21919DG52	34- 4 - 21		27- 2 - 18
MS21103-7	25- 3 - 8	MS21919DG6	24- 2 - 11 34-18 - 3		27- 2 - 45
MS21155S16	53- 4 - 46 57- 1 - 63 57- 1 - 67	MS21919DGA	32-10 - 40 34-18 - 3		27- 4 - 2
MS21233-4	27- 9 - 3	MS21919M48	21- 1 - 32		27- 4 - 3
MS21251-85L	32- 4 - 54	MS21919WDG11	28- 8 - 3		27- 5 - 2
MS21251-85S	32- 5 - 21	MS21919WDG4	28- 2 - 9 28- 3 - 9		27- 6 - 2
MS2125183S	27-11 - 26 27-12 - 28	MS21919WDG6	28- 2 - 16 28- 2 - 28 28- 3 - 16 28- 2 - 28 28- 3 - 40 28- 3 - 42		27- 6 - 12
MS2125185S	27- 2 - 6 27- 2 - 27 27- 6 - 31 27- 8 - 12	MS21919WDG8	28- 2 - 1 28- 3 - 1		27- 6 - 14
MS21252-5LS	32- 4 - 55	MS23778-4	32- 2 - 10		27- 5 - 16
MS21252-5RL	32- 4 - 53	MS24566-18	22- 5 - 1		27- 6 - 16
MS21254-5RL	27- 8 - 12	MS24585-1181	25- 1 - 39		27- 6 - 24
MS21255-BLS	32- 5 - 22	MS24585C181	52- 2 - 17		27- 6 - 28
MS21256-1	27- 2 - 28 27- 6 - 32 27- 8 - 12 27-11 - 27 27-12 - 29	MS24586C34	52- 2 - 11		27- 6 - 30
MS21266-1	34-18 - 2	MS24586C37	52- 3 - 29		27- 6 - 37
MS21266-1N	32-19 - 34	MS24621-60	53- 1 - 91		27- 8 - 4
MS21266-2N	39- 5 - 39	MS24627-35	32-19 - 22 39- 5 - 7 39- 5 - 9 39- 5 - 11		27- 8 - 5
		MS24665-	27- 8 - 33		27- 8 - 9
		MS24665-132	21- 3 - 20 21- 5 - 36 25- 1 - 14 25- 1 - 29 25- 1 - 33		27- 8 - 10
					27- 8 - 11
					27- 8 - 14
					27- 8 - 16
					27- 8 - 18
					27- 8 - 22
					27- 8 - 24
					27- 8 - 36
					27- 8 - 37
					27- 9 - 18
					27-10 - 25
					27-10 - 42
					27-10 - 55
					27-10 - 59
					27-10 - 71
					27-11 - 2
					27-11 - 3
					27-11 - 30
					27-12 - 2
					27-12 - 3
					27-12 - 32
					27-12 - 36
					27-13 - 20
					27-13 - 25
					27-13 - 29
					27-13 - 33
					27-13 - 40
					32- 1 - 3
					32- 1 - 4
					32- 1 - 11
					32- 4 - 3
					32- 4 - 18
					32- 4 - 25
					32- 4 - 32
					32- 4 - 48
					32- 4 - 56
					32- 5 - 2
					32- 5 - 13
					32- 6 - 60
					32-10 - 6
					32-17 - 2
					32-17 - 2
					32-17 - 9
					32-17 - 14

SECTION II
NUMERICAL INDEX

BRUMMAN AMERICAN AVIATION
GA-7/COUGAR
ILLUSTRATED PARTS CATALOG

SECTION II
NUMERICAL INDEX

Part Number	Figure & Index Number	Part Number	Figure & Index Number	Part Number	Figure & Index Number
MS24665-132	32-17 - 33 32-18 - 1 32-19 - 6 32-19 - 25 32-20 - 2 52- 2 - 10 52- 3 - 23 52- 3 - 27 52- 5 - 5 53- 3 - 24 56- 3 - 5 61- 2 - 18 61- 2 - 22 61- 4 - 4 73- 2 - 5 73- 2 - 27 73- 3 - 5	MS24665-69 MS24677-34 MS24679-22 MS24693-S24 MS24693-S275 MS24693-S51 MS24693-27 MS24693-50 MS24693-832	27- 7 - 14 71- 9 - 36 39- 5 - 21 32-19 - 36 24- 3 - 2 39- 3 - 10 27-14 - 15 34- 7 - 20 61- 1 - 2 39- 5 - 20	MS25243-4509 MS25244-35 MS27039-018 MS27039-0808 MS27039-1-08 MS27039-1-09 MS27039-1-10 MS27039-1-13 MS27039-1-28 MS27039-1-29 MS27039-1-9 MS27039-5-14 MS27039-5-15 MS27641-4	33- 2 - 2 32-22 - 57 34-10 - 12 34- 3 - 11 71-12 - 4 53- 1 - 32 53- 1 - 35 25- 2 - 2 25- 2 - 14 34- 3 - 20 34- 4 - 21 34- 4 - 27 34- 4 - 38 71-12 - 2 25- 2 - 4 25- 2 - 20 12- 1 - 4 25- 2 - 16 12- 1 - 2 32- 9 - 15 25- 1 - 44 25- 1 - 51 25- 2 - 31 25- 2 - 27 27-13 - 13 55- 1 - 14 55- 1 - 17 55- 1 - 20 55- 2 - 10 55- 2 - 12 55- 2 - 15 57- 1 - 33 57- 1 - 39 32-21 - 9 61- 4 - 5 27-10 - 60 32-10 - 50 32-10 - 45 32-13 - 3 32-14 - 4 32-14 - 7 32- 2 - 23 32- 2 - 25 32- 7 - 5 32- 8 - 18 32-11 - 36 32- 8 - 8 32-11 - 21
MS24665-134	27- 7 - 4 27- 7 - 5 27-11 - 10 27-12 - 10 32- 6 - 2 32- 6 - 35 32- 6 - 40 32-11 - 5 32-11 - 49	MS24693CB3 MS24693S276 MS24693S50 MS24693S51 MS24693S52	21- 2 - 4 25- 5 - 1 55- 1 - 5 57- 1 - 32 71- 8 - 17	MS27039-1-10 MS27039-1-13 MS27039-1-28 MS27039-1-29	25- 2 - 4 25- 2 - 20 12- 1 - 4 25- 2 - 16 12- 1 - 2
MS24665-142	27-11 - 25	MS24693S54	53- 1 - 39	MS27039-1-9	32- 9 - 15
MS24665-151	39- 5 - 17	MS24694-50	23- 1 - 35 34- 7 - 8 34- 7 - 13 55- 1 - 12	MS27039-5-14	25- 1 - 44 25- 1 - 51 25- 2 - 31
MS24665-281	52- 2 - 2 52- 2 - 7	MS24694-512 MS24694-52 MS24694-8	52- 5 - 10 53- 1 - 47 23- 1 - 24	MS27039-5-15	25- 2 - 27
MS24665-283	25- 1 - 12 25- 1 - 25 27-12 - 40 32- 1 - 9 71- 6 - 19	MS24694C3 MS24694S103 MS24694S4 MS24694S48 MS24694S5 MS24694S50 MS24694S51 MS24694S52 MS24694S58	52- 5 - 10 53- 1 - 47 23- 1 - 24 57- 1 - 46 27-13 - 44 55- 1 - 2 52- 4 - 8 53- 1 - 6 53- 1 - 2 57- 1 - 15 55- 2 - 14 53- 1 - 73	MS27975-4 MS27976-4 MS28741-4-0110 MS28741-4-0380 MS28773-04 MS28774-021 MS28774-112 MS28774-126 MS28774-139	25- 2 - 27 25- 1 - 44 25- 1 - 51 25- 2 - 31 25- 2 - 27 27-13 - 13 55- 1 - 14 55- 1 - 17 55- 1 - 20 55- 2 - 10 55- 2 - 12 55- 2 - 15 57- 1 - 33 57- 1 - 39 32-21 - 9 61- 4 - 5 27-10 - 60 32-10 - 50 32-10 - 45 32-13 - 3 32-14 - 4 32-14 - 7 32- 2 - 23 32- 2 - 25 32- 7 - 5 32- 8 - 18 32-11 - 36 32- 8 - 8 32-11 - 21
MS24665-285	25- 1 - 40 27- 2 - 35 27- 2 - 40 27- 2 - 42 27- 2 - 43 27- 6 - 35 32- 3 - 8 52- 3 - 30 52- 5 - 5	MS24694S55 MS24694S50 MS24694S51 MS24694S52 MS24694S58	53- 1 - 6 53- 1 - 2 57- 1 - 15 55- 2 - 14 53- 1 - 73	MS27975-4 MS27976-4 MS28741-4-0110 MS28741-4-0380 MS28773-04 MS28774-021 MS28774-112 MS28774-126 MS28774-139	32-21 - 9 61- 4 - 5 27-10 - 60 32-10 - 50 32-10 - 45 32-13 - 3 32-14 - 4 32-14 - 7 32- 2 - 23 32- 2 - 25 32- 7 - 5 32- 8 - 18 32-11 - 36 32- 8 - 8 32-11 - 21
MS24665-289	57- 1 - 2	MS24694S55	53- 1 - 6	MS27976-4	27-10 - 60
MS24665-291	27- 2 - 31 27-12 - 27	MS24694S50 MS24694S51	53- 1 - 2 57- 1 - 15	MS28741-4-0110 MS28741-4-0380	32-10 - 50 32-10 - 45
MS24665-295	27-11 - 32 27-12 - 34 27-12 - 38	MS24694S52 MS24694S58	55- 2 - 14 53- 1 - 73	MS28773-04 MS28774-021 MS28774-112 MS28774-126 MS28774-139	32-13 - 3 32-14 - 4 32-14 - 7 32- 2 - 23 32- 2 - 25 32- 7 - 5 32- 8 - 18 32-11 - 36 32- 8 - 8 32-11 - 21
MS24665-353	27-11 - 23	MS24694S59	25- 1 - 46	MS28774-021	32- 2 - 23
MS24665-357	32-10 - 4	MS24694S6	57- 1 - 17 57- 1 - 19	MS28774-112	32- 2 - 25 32- 7 - 5
MS24665-360	32- 1 - 27 32-10 - 71	MS24694S65	52- 3 - 10	MS28774-126	32- 8 - 18 32-11 - 36
MS24665-5	52- 2 - 10	MS25171-35	24- 3 - 14 80- 1 - 7	MS28774-139	32- 8 - 8 32-11 - 21
MS24665-69	27- 5 - 15				

Part Number	Figure & Index Number	Part Number	Figure & Index Number	Part Number	Figure & Index Number
MS28774-141	32- 8 - 21 32-11 - 30	MS3106A-10L-35	33- 1 - 33 33- 1 - 36	MS35206-244	77- 4 - 4
MS28774-216	32- 7 - 8	MS3367-1-9	71-10 - 1	MS35206-245	21- 1 - 33 24- 2 - 19 24- 2 - 64 30- 2 - 7 39- 6 - 1 39- 6 - 25 55- 1 - 5 55- 1 - 11 55- 2 - 18 57- 1 - 30 71- 7 - 7 71- 7 - 5 73- 2 - 20 80- 1 - 8
MS28774-329	32- 8 - 24 32-11 - 33	MS3367-3-9	21- 1 - 4 21- 1 - 9 21- 2 - 8 21- 3 - 10		
MS28775-010	32- 7 - 13	MS35171-15	24- 2 - 29		
MS28775-012	32- 2 - 13	MS35171-3S	24- 2 - 30		
MS28775-021	37- 2 - 24	MS35198-4	22- 2 - 23		
MS28775-117	32- 2 - 26 32- 7 - 6	MS35206-13	73- 2 - 23		
MS28775-115	32- 2 - 15	MS35206-217	27-15 - 25 39- 5 - 2	MS35206-246	22- 2 - 50 34-18 - 4 34-18 - 7 61- 4 - 16
MS28775-176	32- 8 - 17 32-11 - 37	MS35206-221	27-15 - 12		
MS28775-139	32- 8 - 7 32-11 - 20	MS35206-222	37-19 - 14	MS35206-247	23- 1 - 5 33- 6 - 14
MS28775-141	32- 8 - 20 32-11 - 29	MS35206-226	52- 3 - 8	MS35206-249	22- 2 - 52
MS28775-214	32- 7 - 10	MS35206-227	24- 1 - 40 27-12 - 21 28- 9 - 9 39- 4 - 6 39- 4 - 13 39- 4 - 15 39- 6 - 13 74- 1 - 6	MS35206-251	72- 5 - 9 25- 2 - 40 28- 4 - 8
MS28775-216	32- 7 - 7			MS35206-258	32-10 - 67
MS28775-329	32- 8 - 23 32-11 - 32			MS35206-261	32-22 - 54
MS28776-21	32- 8 - 25	MS35206-228	22- 2 - 46 23- 6 - 12 25- 4 - 49 39- 5 - 5 39- 5 - 23 39- 5 - 41	MS35206-262	39- 6 - 24
MS28776M2-26	32-11 - 34			MS35206-263	56- 3 - 9
MS28778-2	32- 8 - 5 32-11 - 18			MS35206-264	27-14 - 18
MS28778-4	37-10 - 52 32-10 - 97 32-12 - 14 32-13 - 4 32-13 - 9 32-14 - 3 32-14 - 8 32-16 - 13	MS35206-229	22- 2 - 44	MS35206-265	23- 1 - 12
		MS35206-230	21- 2 - 1 23- 1 - 20 24- 2 - 31 24- 2 - 37 25- 4 - 10 27-11 - 43 39- 5 - 16 39- 6 - 2 39- 6 - 23 39- 6 - 29	MS35207-226	30- 1 - 2
MS29512-04	28- 5 - 9 28- 5 - 11			MS35207-243	57- 1 - 41
MS29512-06	28- 5 - 3 28- 7 - 2 28- 7 - 4 73- 1 - 6	MS35206-231	27-12 - 22 32-19 - 32 71- 9 - 17 71- 9 - 24	MS35207-261	28- 2 - 1 28- 2 - 9 28- 2 - 16 28- 2 - 28 28- 3 - 1 28- 3 - 9 28- 3 - 16 28- 3 - 28 28- 3 - 40 28- 8 - 4 28- 9 - 12 39- 4 - 7 53- 1 - 82 57- 1 - 7 71- 8 - 26
MS29512-08	28- 1 - 13 28- 2 - 4 28- 3 - 4 28- 5 - 6	MS35206-242	52- 1 - 9		
MS29528-4	28- 5 - 8	MS35206-243	22- 2 - 42 27-10 - 8 32-19 - 12 34-25 - 6 39- 4 - 9 53- 1 - 101 56- 3 - 13	MS35207-262	27-15 - 21 28- 4 - 5 33- 1 - 21 39- 3 - 1 53- 2 - 2 53- 2 - 13
MS3057-4A	33- 1 - 34 33- 1 - 37				

SECTION II
NUMERICAL INDEX

GLUMMAN AMERICAN AVIATION
GA-7/COUGAR
ILLUSTRATED PARTS CATALOG

SECTION II
NUMERICAL INDEX

Part Number	Figure & Index Number	Part Number	Figure & Index Number	Part Number	Figure & Index Number
MS35207-262	71-11 - 4 71-11 - 6	MS35214-39	34-27 - 4	MS35489-4	32-27 - 10 53- 3 - 26
MS35207-263	24- 2 - 69 39- 1 - 2 53- 3 - 28 61- 1 - 5 61- 1 - 8	MS35214-40	25- 5 - 7 34- 1 - 4	MS35489-41S	28- 3 - 3
MS35207-264	24- 1 - 44 24- 1 - 47 30- 2 - 12 61- 4 - 7 73- 2 - 9 79- 1 - 8	MS35214-41	25- 5 - 16	MS35489-6	34- 3 - 10 34- 3 - 24
MS35207-266	53- 1 - 55	MS35214-43	34- 1 - 2	MS35489-7	71- 9 - 34
MS35207-268	61- 4 - 9 73- 2 - 11	MS35215-24	39- 5 - 26	MS35490-1	23- 6 - 2
MS35207-270	30- 2 - 13	MS35217-53	52- 1 - 7	MS35490-15	24- 2 - 10 71- 3 - 14 71- 5 - 3 71- 5 - 8
MS35207-271	21- 5 - 17 22- 5 - 2 30- 2 - 9 30- 2 - 10 61- 4 - 12 73- 2 - 14	MS35226-227	24- 2 - 20	MS35649-202	24- 2 - 8
MS35207-272	22- 5 - 2	MS35264-63	61- 1 - 3	MS35649-2252	24- 2 - 5
MS35207-280	24- 2 - 32 24- 2 - 38	MS35265-31	21- 3 - 5	MS35649-242	32-19 - 18
MS35207-311	24- 1 - 14 24- 2 - 14 24- 3 - 6	MS35265-60	21- 2 - 16 32-14 - 10	MS35649-282	34- 7 - 22
MS35214-14	22- 2 - 15	MS35270AD4	53- 3 - 22	MS35649-286	34- 1 - 7 34- 1 - 4
MS35214-24	22- 1 - 4 22- 1 - 10 22- 1 - 14 22- 2 - 4 22- 2 - 10 22- 2 - 29	MS35273-42	39- 5 - 21	MS35650-302	22- 5 - 5
MS35214-27	34- 4 - 2 34- 6 - 2 34-12 - 4	MS35333-36	32-19 - 17	MS35650-3382	24- 1 - 17 24- 2 - 17 24- 3 - 9
MS35214-29	34- 3 - 4 34- 5 - 2 34- 9 - 2 34-10 - 2 34-11 - 2 39- 3 - 19 77- 4 - 2 77- 5 - 2	MS35333-38	56- 3 - 13	MS35769-1	32- 7 - 18
MS35214-30	22- 1 - 6 22- 2 - 6 34- 4 - 4	MS35333-39	56- 3 - 9	MS35769-11	79- 3 - 6
MS35214-31	34-14 - 2	MS35333-71	39- 5 - 26	MS35812-1	32-19 - 1
MS35214-33	22- 1 - 7 22- 2 - 7 34- 4 - 5	MS35333-72	39- 5 - 21	MS45904-54	25- 4 - 11 25- 4 - 50
		MS35335-12	32- 9 - 16	MS470AD5-4	27- 3 - 6
		MS35335-32	21- 5 - 4	MS51503-34	28- 8 - 1
		MS35336-61	34- 3 - 30	MS5150384	73- 4 - 9 79- 2 - 9
		MS35338-4	24- 2 - 37	MS5150384S	77- 3 - 6
		MS35338-41	24- 2 - 31 24- 2 - 66 30- 1 - 2	MS51957-13	33- 1 - 6
		MS35338-43	24- 1 - 28 24- 2 - 71 24- 3 - 21 27-15 - 22 61- 4 - 9 73- 2 - 11 80- 1 - 16	MS51957-27	33- 1 - 9
		MS35338-44	24- 2 - 6	MS9390-820	32- 8 - 35
		MS35338-46	24- 1 - 16 24- 2 - 16 24- 3 - 8	MTL600T5	23- 5 - 2 23- 5 - 4 23- 5 - 5
		MS35439-41S	28- 3 - 38	MZ-4218	80- 1 - 1
		MS35489-100	24- 1 - 10	M1L-H-5593-10	34- 4 - 14
		MS35489-14	34- 4 - 31	M1L-H-5593-6	34- 4 - 10
		MS35489-15S	28- 2 - 3	M1L-H-5593-8	34- 4 - 12

Part Number	Figure & Index Number	Part Number	Figure & Index Number	Part Number	Figure & Index Number
M1L-H-6000-12	34- 4 - 39	NAS220-5	57- 1 - 38	NAS43003-64	30- 2 - 13
M1L-H-6000-2075	34- 4 - 22	NAS221-10	25- 4 - 2	NAS43003-8	21- 5 - 28
M44-14M	27-11 - 9 27-12 - 9	NAS221-11	32-21 - 22	NAS43004-16	27-11 - 25
M700B	23- 1 - 19	NAS221-12	25- 4 - 14	NAS43004-19	52- 4 - 4
M81307-0112	23- 2 - 15	NAS221-13	25- 4 - 6	NAS43004-32	27-12 - 27
M81324-0004	23- 2 - 11	NAS221-17	27- 2 - 37	NAS43004-58	27- 6 - 30 27- 8 - 14 27-11 - 23 27-11 - 30 27-12 - 32
M81503-0004	23- 2 - 9	NAS221-18	32-17 - 26		
M82010-0014	23- 2 - 8	NAS221-6	57- 1 - 49 57- 1 - 51 57- 1 - 53	NAS43005-144	27- 6 - 28 27- 8 - 16
N-1030-B	27-14 - 9	NAS221-9	25- 3 - 5	NAS43005-30	27- 6 - 26 27- 8 - 18
NAS1024A08	61- 1 - 2	NAS222-25	25- 4 - 19	NAS43005-40	27- 6 - 28 27- 8 - 16 27- 8 - 20
NAS1097AD3	23- 1 - 33 53- 1 - 6 53- 1 - 20 53- 1 - 102	NAS288-35LH	27- 2 - 4	NAS43005-44	27- 6 - 26 27- 8 - 18
NAS1097AD4	53- 2 - 20 53- 2 - 25 53- 2 - 33 71- 8 - 23	NAS395-4-6	39- 4 - 2	NAS43005-52	27-11 - 21
NAS1189-06P3N	52- 3 - 6	NAS395-2-3	39- 2 - 9	NAS43005-64	27-12 - 38
NAS1190E08-5N	25- 5 - 11	NAS395-4-1	21- 4 - 8	NAS43005-74	27- 8 - 20
NAS1300-3T-8	12- 1 - 5	NAS396-2-1	27- 1 - 5	NAS43005-80	27- 6 - 26 27- 8 - 18
NAS1303-4	53- 1 - 16	NAS413HT3-12	32-19 - 3	NAS43007-8	32-12 - 20
NAS1304-19D	32- 1 - 4 32- 6 - 57	NAS428-H4-10	32- 4 - 63	NAS43007-8	32-12 - 20
NAS1304-38D	27-13 - 17 27-13 - 35	NAS428-H4-12	32- 4 - 12	NAS43HT1-5	39- 5 - 43 39- 6 - 23
NAS1304-5	25- 1 - 52 25- 1 - 58	NAS428-3-5	27- 7 - 19	NAS43HT1-8	27-11 - 43
NAS1329A08-75	57- 1 - 19	NAS428K4-10	32- 3 - 13	NAS43HT3-149	27-11 - 36 27-12 - 43
NAS139804-1	25- 4 - 41	NAS43001-11	39- 5 - 22	NAS43HT3-17	27-10 - 63
NAS139804-2	25- 4 - 26	NAS430010-20	27-10 - 16	NAS43HT3-223	39- 6 - 16
NAS139804-3	25- 4 - 39 25- 4 - 45	NAS43003-11	52- 3 - 33	NAS43HT3-4	21- 5 - 8 21- 5 - 12
NAS1473A3	57- 1 - 15	NAS43003-20	22- 5 - 6 27-11 - 13	NAS43HT4-10	27-13 - 38
NAS1523AA4B	32- 8 - 2 32-11 - 15	NAS43003-212	79- 1 - 5	NAS43HT4-15	25- 1 - 9
NAS220-20	33- 2 - 4	NAS43003-26	22- 5 - 3	NAS43HT4-16	27-13 - 36
NAS220-28	27-11 - 41 27-12 - 48 39- 6 - 17	NAS43003-30	53- 1 - 39	NAS43003-14	34- 3 - 20
NAS220-5	33- 2 - 5	NAS43003-32	22- 5 - 10 25- 2 - 42	NAS446-2	71- 4 - 2 71- 4 - 14 71- 4 - 21 71- 5 - 2
		NAS43003-36	22- 5 - 3	NAS464-P6A47	32- 8 - 32
		NAS43003-40	52- 3 - 13		
		NAS43003-44	27-10 - 65		
		NAS43003-6	21- 5 - 30		
		NAS43003-60	21- 5 - 29		

Part Number	Figure & Index Number	Part Number	Figure & Index Number	Part Number	Figure & Index Number
NAS464-8-A6	57- 1 - 2	NAS686A3	53- 1 - 33	RG58A/U	23- 5 - 24
NAS464P4-A14	27- 2 - 2		53- 1 - 36		34- 7 - 4
NAS464P4-10	27- 1 - 7		57- 1 - 49		34-10 - 4
NAS464P4-16	27- 8 - 37		57- 1 - 51		34-10 - 6
	27-13 - 22	NAS696A06	57- 1 - 53		34-10 - 8
NAS464P4A14	27- 9 - 14				34-11 - 7
NAS464P4A20	27- 9 - 20	NAS696A06L	71- 2 - 2		34-11 - 9
	27- 9 - 20		21- 3 - 4		34-11 - 14
NAS464P4A26	27- 7 - 3	NAS696A3	32- 4 - 42		34-13 - 3
NAS464P5-20	37- 0 - 36				34-17 - 7
	32-11 - 4	NAS697-A3	71- 8 - 26		34-18 - 9
NAS464P5-48	37- 6 - 41	NAS697-COR	71- 7 - 5		34-20 - 14
	37-11 - 48				34-21 - 7
NAS464P6A47	32-11 - 10	NAS697A08	71- 1 - 29		34-21 - 13
NAS5LA70	57- 1 - 3		71- 1 - 31		34-22 - 6
NAS516-1	32- 6 - 25		71-12 - 4		34-22 - 8
	53- 4 - 45	NAS697A08	77- 4 - 4		34-24 - 16
	57- 1 - 62				34-24 - 18
	57- 1 - 68	NAS697A3	27- 7 - 21		34-26 - 11
NAS561P4-14	25- 4 - 47		27-12 - 43		34-26 -250
NAS563-11	32- 7 - 17	NAS697A3	53- 2 - 3		34-27 - 7
NAS586-19	32- 6 - 52		53- 2 - 15		34-28 - 13
NAS586-21	32-11 - 42	NAS75-3-204		RG58AU	34-29 - 6
NAS651-16L	32- 4 - 61				
NAS679-A3	32- 5 - 7	NAS75-4-307	32- 4 - 27		23- 4 - 4
NAS680-A3	79- 1 - 7			RM52LHA4972-6-82	55- 1 - 2
NAS680A08	53- 1 -102	NAS820-12-125	32- 1 - 4		57- 1 - 22
	57- 1 - 41		32-10 - 21	R211C243-3	32-13 - 5
NAS680A3	27- 3 - 8	NAV121	34- 4 - 24	S-25	24- 1 - 11
	32-17 - 28	NAV122	34- 9 - 1	SAW4704-1	80- 1 - 14
	53- 1 - 4	NTA5266	34-10 - 1	SA44SDH11-3	74- 2 - 55
	53- 1 - 49	PH502-12	34-11 - 1		33- 6 - 7
	53- 1 - 56	PL18-30	32- 6 - 22	SJB054X	56- 2 - 29
	61- 1 - 3	PRP-909-6	30- 1 - 1	SL42-4	32- 9 - 3
	61- 1 - 5	PW188007	27- 9 - 9	SST2M	32-11 - 16
	71- 7 - 5	P3-82112	61- 1 - 10	SS10-R0	34-12 - 10
	71- 8 - 17	QS100-M125	25- 5 - 19	SS8K75	61- 2 - 1
	71- 9 - 6	QS100M-10S	80- 1 - 24	STD-1323	61- 2 - 7
NAS681A3	57- 1 - 46	QS100M36S	27- 3 - 6	STD-1413	80- 1 - 2
NAS682A08	57- 1 - 38	QS10064S	34- 4 - 23	STD-35	61- 3 - 6
NAS682A3	53- 1 - 3	QS200-M6S	30- 2 - 3	STD-475	80- 1 - 5
NAS683A08	57- 1 - 30	RAX718	71- 9 - 2	STD-1204	61- 3 - 4
NAS686-A6	27- 4 - 5	RCR650	77- 1 - 17	STD1328	80- 1 - 4
NAS686A08	34-25 - 7	REM-40E	27- 9 - 10	STD1410	71- 2 - 11
		RG58A/U	34-20 - 1		78- 1 - 2
			74- 1 - 1		78- 1 - 3
			23- 1 - 29		71- 2 - 3
			23- 1 - 39		71- 2 - 5
			23- 5 - 22		73- 1 - 10
					78- 1 - 9

Part Number	Figure & Index Number	Part Number	Figure & Index Number	Part Number	Figure & Index Number
STD1411	78- 1 - 2 78- 1 - 3 78- 1 - 4	VHF251	23- 3 - 5	047-1695-00	23- 5 - 24 34-24 - 5
STD160	71- 2 - 11 78- 1 - 2 78- 1 - 3 78- 1 - 4	VIR351	34-17 - 1 34-19 - 1	047-1743-01	23- 5 - 17 34-24 - 11
STD1753	73- 1 - 10	V5743	32- 8 - 4 32-11 - 17	047-1851-00	23- 5 - 12 34-24 - 6
STD1922	73- 1 - 4	V3-131-09	37-19 - 15	047-3898-02	34-26 - 16
STD33	73- 1 - 4	V2L-3-09	27- 3 - 17 27-14 - 5 27-15 - 11 27-15 - 24 39- 5 - 1	05-175	24- 2 - 57
STD35	71- 2 - 4 73- 1 - 10	WC-04R	24- 1 - 6	061-01000	32-10 - 98
STD475	78- 1 - 9	WJ525816	32- 6 - 24	062-00700	32-10 -102
STD8	71- 2 - 11 78- 1 - 2 78- 1 - 4	Y9132A	34- 3 - 21 34- 3 - 25	063-00600	32-10 -105
SW2AA10	24- 2 - 56 33- 6 - 8	Z-2324	22- 2 - 38	064-00500	32-10 -109
S328	21- 5 - 23	7-574	24- 1 - 49 82- 1 - 9	066-01500	32-10 -106
TA-201-TB-W	30- 1 - 6 33- 1 - 24 33- 1 - 26 33- 2 - 8	Z2105	22- 2 - 20	066-01900	32-10 -108
TA201-TR-W	33- 5 - 13	Z2117	22- 2 - 20	066-1024-03	34-29 - 1
TOR950	34-21 - 1	0-320-010	71- 1 - 1	066-1029-03	34-28 - 3
TRA5266	32- 6 - 21	0015-00723	39- 3 - 18	066-1062-00	34-26 - 1
TRD5266	32- 6 - 23	0021-0110	39- 3 - 18	066-1063-00	34-25 - 5
TT-1205	27- 6 - 19	01199-001	34-12 - 9	066-3047-00	34-28 - 1
TT-1800-1	32- 1 - 17	013-0572-010	34-21 - 10	069-00200	32-10 -103
TT-400	27-10 - 68 32- 6 - 10	01652-0101	23- 6 - 1	071-1020-00	34-28 - 12
TT1205	27- 8 - 29	021-0250	34-21 - 10	071-1040-00	34-26 - 17
TW31	32- 6 - 37 32-11 - 6	030-0005-00	23- 6 - 1	071-1133-00	34-27 - 8
TYPE 103	24- 2 - 33 24- 2 - 39	030-0061-00	23- 6 - 1 32-15 - 1 77- 1 - 14	073-00600	32-10 -103
TYPE 88	78- 1 - 18 78- 1 - 20	030-1019-00	34-25 - 8	074-00600	32-10 -106
TY524H	77- 5 - 4	030-1094-02	23- 5 - 25 34-24 - 19	075-02100	32-10 -110
TY525H	77- 1 - 2	030-1094-50	23- 5 - 19 34-24 - 13	075-0580	32-11 - 41
UDA3	34-15 - 3	030-2101-04	34-26 - 4	076-0792-00	34-28 - 12
UG2748/U	34- 7 - 2	030-1094-02	34-25 - 9	081-00200	32-10 - 93
UG535/U	34- 7 - 16	030-1094-50	23- 5 - 14 34-24 - 8	088-0752-00	34-25 - 10
		030-2101-04	23- 5 - 14 34-24 - 8	089-8094-30	34-26 - 14
		0303101-00	34-26 - 12	089-2013-37	34-26 - 10
		0321R	23- 2 - 16	089-2136-00	34-28 - 5
		03716-0300	23- 6 - 8	089-2188-22	23- 5 - 16
		040-07607	37- 1 - 24	089-5523-05	23- 5 - 20 34-24 - 14
				089-5666-18	34-27 - 9

SECTION II
NUMERICAL INDEX

GRUMMAN AMERICAN AVIATION
GA-7/COUGAR
ILLUSTRATED PARTS CATALOG

SECTION II
NUMERICAL INDEX

Part Number	Figure & Index Number	Part Number	Figure & Index Number	Part Number	Figure & Index Number
089-5899-05	34-28 - 5	1-480776-0	33- 2 - 16 33- 3 - 10 33- 6 - 18	1C3884	22- 2 - 3
089-5903-05	23- 5 - 15 34-24 - 9	1-480707-0	27-15 - 33 30- 1 - 5 32-22 - 22 32-22 - 50 33- 1 - 28 33- 2 - 9 33- 3 - 11	1C404	27- 2 - 12
089-5903-07	34-26 - 5			1C493	22- 2 - 39
089-5907-05	23- 5 - 18 34-24 - 12			1C508-1-635P	27- 4 - 3
089-5907-06	34-26 - 7			1C515-5	22- 2 - 47
089-6008-04	23- 5 - 13 34-24 - 7	1-480708-0	24- 1 - 31 24- 2 - 62 37-22 - 7 32-22 - 19 32-22 - 26 33- 2 - 11 33- 3 - 13 33- 5 - 11 34- 6 - 4 80- 1 - 21	1C709-??	27- ? - 45
089-6541-00	34-25 - 11			1C725	22- ? - 40
089-8027-30	24-26 - 8			1G4-4	34- 4 - 7
089-8094-30	23- 5 - 27 34-24 - 21			1H24-6	34- 4 - 26
089-8110-34	34-26 - 9	1-480709-0	24- ? - 61 32-22 - 11 32-22 - 12 32-22 - 16 33- 2 - 10 33- 3 - 12 23- 5 - 10 33- 6 - 17 34- 6 - 3 80- 1 - 23	1J1-2	34- 4 - 44
090-0019-07	23- 5 - 26 34-24 - 20 34-26 - 13			1J4-7	34- 4 - 20
091-0031-05	34-26 - 6	1-480709-0	24- ? - 61 32-22 - 11 32-22 - 12 32-22 - 16 33- 2 - 10 33- 3 - 12 23- 5 - 10 33- 6 - 17 34- 6 - 3 80- 1 - 23	1K1-6-12	34- 4 - 41
092-0027-01	34-28 - 9			1K10-4-6	34- 4 - 16
092-0027-02	34-28 - 8	1-480709-1	24- 1 - 33	1K30-10-6-6	34- 4 - 19
092-0027-03	34-28 - 7	1-480710-0	24- 2 - 54 27-14 - 3 28-10 - 4 32-22 - 40 32-22 - 44 32-22 - 52 33- 6 - 15 74- 1 - 7	1K30-876-6	34- 4 - 18
092-0027-10	34-28 - 6			1K31-1	34- 4 - 17
1-480700-0	27-14 - 4			1OARM300-14CNS	34- 7 - 9
1-480701-0	27-14 - 1			105932-12V	32-13 - 10
1-480704-0	27-15 - 8 27-15 - 19 28- 9 - 15 28- 9 - 17 32-22 - 47 33- 1 - 31 33- 1 - 39 33- 4 - 9 33- 5 - 9	1-480711-0	24- 2 - 51 27-14 - 7 28-10 - 3 32-22 - 41 32-22 - 45 33- 6 - 16 74- 1 - 5	1J73	33- 1 - 16
1-480705-0	27-15 - 10 27-15 - 30 28- 9 - 16 28- 9 - 18 32-22 - 29 33- 1 - 30 33- 1 - 32 33- 1 - 35 33- 1 - 38 33- 4 - 8 33- 5 - 8	1A479 1A479-2 1A526 1A752-1 1R440 1C363-1-635R	22- 2 - 27 22- 2 - 28 22- 2 - 26 22- 2 - 25 22- 1 - 15 22- 3 - 3	12-804041-1 12-901033-1 12-902017-2 1234 1247-0306 13-701007-1 13-804037-501 13-804037-502 13-901043-504 13A773 14-101019-2 14-101019-3 14-101019-4 14-101019-503 14-10109-4 14-804006-1	34- 2 - 1 57- 1 - 24 25- 4 - 8 73- 4 - 8 79- 2 - 8 53- 1 - 56 32-10 - 66 25- 1 - 45 25- 1 - 45 57- 1 - 27 22- 2 - 21 71- 8 - 10 71- 8 - 9 71- 8 - 8 71- 8 - 7 53- 1 - 112 34- 2 - 3
1-480706-0	27-15 - 31 30- 1 - 4 32-22 - 30 32-22 - 51 33- 1 - 29	1C373-6-635 1C385 1C3884	22- 5 - 8 22- 1 - 12 22- 1 - 3		

Part Number	Figure & Index Number	Part Number	Figure & Index Number	Part Number	Figure & Index Number
14-804006-2	34- 2 - 2	1600-019-200	33- 2 - 7	1816	33- 3 - 5
1414	33- 4 - 3	1601-0417	??- 2 - 48		33- 6 - 2
14379	34- 7 - 10		23- 1 - 31	183-00100	33- 6 - 10
15-423	28- 9 - 11		23- 2 - 19		32-10 - 92
15X6.00-6	32- 1 - 24		23- 2 - 21	186-12	27-15 - 4
15X6.00-6X4PLY	32- 1 - 23		23- 2 - 24	1903-1L	23- 1 - 3
150-1541-000	23- 4 - 1		23- 2 - 27		33- 6 - 12
150-1545-000	34-17 - 12		23- 3 - 9	2-03	33- 3 - 6
15001	77- 3 - 5		23- 3 - 11	2-331350-1	23- 4 - 3
151-02600	32-10 - 83		23- 5 - 8		23- 5 - 24
152-02400	32-10 - 91		25- 2 - 48		34- 7 - 3
153-00300	37- 1 - 33		25- 2 - 50		34-10 - 5
153-00400	37- 1 - 29		25- 6 - 5		34-10 - 7
153-01300	32-10 - 87		33- 1 - 5		34-10 - 9
153-01500	32- 1 - 31		33- 3 - 7		34-11 - 8
153-03000	32-10 - 87		34- 1 - 6		34-11 - 10
154-00300	32- 1 - 30		34- 7 - 15		34-11 - 15
154-01300	32-10 - 80	1601-0412	34-13 - 6		34-13 - 3
155-00100	32- 1 - 28	1601-0512	34-21 - 12		34-17 - 6
16-101020-12	71- 8 - 14	1601-0610	34-26 - 19		34-18 - 8
16-804023-509	53- 1 - 111	1604-0412	34-27 - 11		34-20 - 14
1600-011-050	77- 4 - 6		53- 1 - 61		34-21 - 13
1600-019-050	22- 1 - 11	161-03000	53- 1 - 104		34-22 - 5
	22- 2 - 11		53- 2 - 5		34-24 - 18
	24- 2 - 45		53- 2 - 11		34-26 - 20
	27-15 - 34		53- 2 - 23		34-27 - 7
	28- 9 - 19		53- 2 - 26		34-29 - 5
	28-10 - 5		53- 2 - 29	2-331351-1	23- 5 - 22
	33- 6 - 19		53- 2 - 31		34-17 - 6
	34- 5 - 3		53- 2 - 34		34-21 - 7
	73- 4 - 11		57- 1 - 35		34-22 - 9
	77- 2 - 7		57- 1 - 55		34-24 - 16
	79- 2 - 12		57- 1 - 57		34-26 - 11
	79- 3 - 8		23- 1 - 18	2FA54-73	24- 2 - 47
	80- 1 - 26		34-22 - 4		74- 1 - 4
1600-019-100	33- 1 - 25		34-29 - 4	2H30-24	34- 4 - 43
	33- 1 - 27		52- 5 - 12	2TL95-5	27-14 - 8
1600-019-150	27-14 - 12		25- 5 - 5	200-0267-00	34-28 - 4
	30- 1 - 7		33- 6 - 11	200100	25- 6 - 7
			57- 1 - 5	200402	25- 6 - 9
			57- 1 - 9	200605	25- 6 - 8
			57- 1 - 11	20265-1032	22- 5 - 7
			57- 1 - 13	205-18A	77- 5 - 1
		162-02700	32- 1 - 38	206036-1	74- 1 - 8
			32-10 - 81	206036-2	24- 1 - 39
		164-02201	32- 1 - 39	206037-1	74- 1 - 9
			32-10 - 89	206037-2	24- 1 - 37
		164-02201	32-10 - 77	206743-1	32-22 - 3
		1648-001-060	32-10 - 89		32-22 - 25
		166-02100	24- 2 - 44		33- 2 - 13
		166-02900	32-10 - 76		
		1702STYLE C	52- 5 - 6		
		177-00300	32-10 - 104		
		1770	32-10 - 107		
			21- 2 - 4		

SECTION II
NUMERICAL INDEX

GRUMMAN AMERICAN AVIATION
GA-7/COUGAR
ILLUSTRATED PARTS CATALOG

SECTION II
NUMERICAL INDEX

Part Number	Figure & Index Number	Part Number	Figure & Index Number	Part Number	Figure & Index Number
206044-1	32-22 - 4 32-22 - 32 32-22 - 35 33- 2 - 15	28-439	20- 9 - 2 73- 4 - 2 77- 2 - 5 79- 2 - 2 79- 3 - 2	333-0604-000	23- 4 - 6
206070-1	32-22 - 2 32-22 - 6 32-22 - 20 32-22 - 27 32-22 - 33 32-22 - 36 33- 2 - 12 33- 2 - 14	2803-17 283 2904-81 34665-3/16	34- 5 - 1 27-15 - 20 32-22 - 53 77- 3 - 4 32-20 - 1	333-0605-000 340-0012-000 342-0042-000 342-0045-000	23- 4 - 2 34-17 - 15 34-17 - 18 23- 4 - 12 34-17 - 9 34-21 - 5 34-17 - 22 23- 4 - 2 34-17 - 17
206425-1	24- 2 - 21 24- 2 - 23 32-22 - 14	30-0863-11 30-0863-12	33- 1 - 4 33- 1 - 4	343-0125-300 343-0133-00	23- 4 - 6 34-20 - 9
206426-1	24- 2 - 13 24- 2 - 22 32-22 - 9	30-0876-7 30-238	32- 1 - 17 32-10 - 91	343-0135-000 343-0167-000	34-17 - 13 23- 4 - 8 34-17 - 6
206443-1	32-22 - 18	30ARM300-71	34- 7 - 12	343-0168	34-17 - 4
211CC	34- 4 - 42	30ARM300-72	34- 7 - 7	343-0168-000	34-17 - 3 34-20 - 4 34-20 - 21
214-00100	32-10 - 82 32-10 - 90	30ARM300-74-1 30A296-1	34- 7 - 19 22- 2 - 18	343-1639-000	34-20 - 6
214-00200	32- 1 - 34 32-10 - 81 32-10 - 88	309253 308517-4	22- 4 - 2 22- 3 - 2	3502-10-78	25- 5 - 2
22NAIK3-02	57- 1 - 32	30C416-20	22- 2 - 22	3502-14-47	27- 3 - 16 27-11 - 43
231	21- 2 - 21 21- 3 - 12	3080-14	77- 2 - 6	357-7532-010	23- 4 - 10 34-17 - 8 34-21 - 4
2315	33- 4 - 1 33- 5 - 1	31-3078-9 31-3376-1	33- 1 - 9 33- 1 - 6	3585-2CN0328	32- 6 - 26
248	27-10 - 4	31-3376-2	33- 1 - 6	3591-3CN-10285	32- 3 - 10
26R16-1	53- 3 - 4 53- 3 - 7	317-0045-000	23- 4 - 2 34-17 - 14	3591-4CN-0375	32- 6 - 18
269-5/16-24	39- 5 - 4	310-0419-000	34-20 - 7	371-0379-010	34-17 - 20
2690A42	33- 3 - 1	32833	34- 4 - 6	371-0379-0130	34-20 - 22
2716	34- 2 - 4	32833-1	22- 1 - 8 22- 2 - 8	371-0379-060	23- 4 - 5
272	21- 2 - 20 21- 3 - 11	323-139	61- 4 - 1	371-0379-090	34-18 - 11
28-401	79- 2 - 4	323-144	61- 4 - 1	371-0379-130	23- 4 - 6 34-18 - 13
28-403	24- 2 - 27 28- 9 - 3 73- 4 - 3 77- 2 - 4 79- 2 - 3 79- 3 - 3	32543 330	25- 6 - 2 33- 6 - 9	371-0379-160 371-0379-170	34-18 - 12 34-18 - 10
28-431	28- 9 - 7 73- 4 - 7 79- 2 - 7	330-1779-040 331350-1	34-20 - 16 23- 1 - 27 23- 1 - 37	371-0379-190 371-0379-200	34-20 - 19 34-20 - 18
28-439	24- 2 - 28	331351-1	23- 1 - 28 23- 1 - 38	371-0379-210 372-7513-080	34-20 - 20 34-21 - 8

Part Number	Figure & Index Number	Part Number	Figure & Index Number	Part Number	Figure & Index Number
372-7513-180	34-20 - 15	44065	28-2 - 26	5202034-4	55-1 - 10
372-7513-190	34-22 - 7		28-3 - 26		55-2 - 17
372-7513-200	34-21 - 8	4516	28-8 - 2		57-1 - 29
4-40FH	34-28 - 1		28-10 -	5401113-501	28-1 - 12
4L1-PF	71-9 - 33	4516-62	53-3 - 8	5401116-501	73-1 - 5
4L4-F	71-9 - 32	46-612	56-2 - 8	5401118-501	73-1 - 6
48-2-N-0	71-9 - 17	47XP5F14573	57-1 - 20	5401127	57-1 - 54
40-90	32-10 - 70	479136	53-3 - 12	5401127-503	28-1 - 1
40R8-16-1	57-1 - 43	479729	53-3 - 15	5401127-504	28-1 - 1
40S5-3	71-8 - 2	483711-0	57-1 - 14	5401127-501	71-6 - 1
40S5-4	71-8 - 3	5AR4300-1CH3	33-6 - 6	5500006-5	71-10 - 3
401136-501	28-1 - 10	5L1-PF	28-6 - 6	5500006-5	71-6 - 10
402012-507	24-1 - 12	500002-2	28-6 - 5	5500015-1	71-9 - 9
404009-1	34-3 - 28	500006-3	32-10 - 49	5500015-2	71-9 - 12
404011-12	34-3 - 21		71-4 - 5	5500015-501	71-9 - 8
4050	74-1 - 3		71-4 - 10	55011111-15	71-6 - 14
4051	74-1 - 3	5035P2P25	71-4 - 17		
406004-502	71-2 - 10	5111-1-1A8	71-4 - 24	5502010-12	71-2 - 1
41-401	24-2 - 76	51L8-1AA	34-14 - 1	5502010-20	78-1 - 11
	28-9 - 4		25-4 - 48	5502010-22	78-1 - 12
	73-4 - 4	5102283-6	25-4 - 9	5503005-13	71-9 - 29
	77-7 - 3		52-5 - 11	5503005-14	71-9 - 22
	79-3 - 4	5102283-7	52-5 - 4	5503005-20	71-9 - 21
41-409	28-9 - 7	5102331-17	25-1 - 44	5503005-21	71-9 - 19
	73-4 - 7		25-1 - 51	5503005-22	71-9 - 20
	79-2 - 7	5102331-18	25-2 - 29	5503005-23	71-9 - 18
4108	56-2 - 26		25-2 - 33	5503005-49	71-9 - 26
413-F	24-2 - 35	5102334-501	25-2 - 6	5503005-50	71-9 - 25
	24-2 - 41	5102335-3	25-2 - 23	5503005-507	71-9 - 16
416-612	28-1 - 8		25-2 - 51	5503005-51	71-9 - 28
42A173-1	22-3 - 1	5102335-4	25-2 - 51	5503005-511	71-9 - 5
	22-4 - 1	5102335-7	25-2 - 17	5503005-519	73-1 - 11
4245-8	34-5 - 1		25-2 - 54	5503005-513	71-9 - 30
44-402	24-2 - 25	52-029-125-0625	52-3 - 2	5503005-52	71-9 - 27
	28-9 - 5	52054	22-1 - 9	5503005-521	71-9 - 23
	73-4 - 5		22-2 - 9		
	77-2 - 2		22-2 - 9		
	79-2 - 5		22-1 - 5		
	79-3 - 5		22-2 - 5		
44-408	28-9 - 7	52067M	22-2 - 5		
	73-4 - 7		28-1 - 4		
	79-2 - 7	5200003-16			

SECTION II
NUMERICAL INDEX

GRUMMAN AMERICAN AVIATION
GA-7/COUGAR
ILLUSTRATED PARTS CATALOG

SECTION II
NUMERICAL INDEX

Part Number	Figure & Index Number	Part Number	Figure & Index Number	Part Number	Figure & Index Number
5503009-1	71- 9 - 37	5804045-1	21- 4 - 1	628-5417-001	34-17 - 19
5505001-1	71-10 - 4	5804047-1	22- 1 - 2	628-5557-001	34-17 - 21
5505002-2	79- 1 - 1		22- 2 - 2	628-5558-001	23- 4 - 13
5505003-3	79- 1 - 10	5804050-3	22- 1 - 13		34-17 - 5
55980-0101	23- 2 - 16	5901018-1	71- 9 - 8	628-5578-001	34-21 - 9
5607016-1	27-10 - 10	5901019-2	73- 1 - 7	628-5589-001	34-17 - 16
	27-10 - 12	5934-1	34- 3 - 2	628-5590-001	23- 4 - 9
57560-0102	34-12 - 7	5952-W-6	33- 6 - 5	628-5689-001	34-20 - 17
57666-0001	23- 6 - 11	6.00X6	32-10 - 70	628-6641-001	34-20 - 8
57667-0001	23- 6 - 7	6.00X6X6PLY	32-10 - 69	628-6645-001	34-20 - 10
57674-0001	23- 6 - 9	60-1750-1	33- 1 - 20	628-7558-001	34-18 - 6
57682-0101	23- 6 - 10	601-4300	22- 2 - 24		34-18 - 6
5802036-502	23- 5 - 11		23- 1 - 41	64-032	32-20 - 6
	34-24 - 5	601021-1	27- 6 - 3	64-032-1309	32-18 - 6
	34-25 - 1		27- 6 - 3	64-032-44	21- 3 - 13
5802038-502	34-26 - 11		32-17 - 5		
			32-17 - 5	65-430130	32- 2 - 2
5802038-513	34-29 - 7	601051	32-17 - 7		32- 3 - 1
			32-17 - 7		32- 4 - 41
5802038-514	23- 5 - 21	601051-1	27- 6 - 5		32-19 - 61
	34-24 - 15		27- 6 - 5	65-430139	32-10 - 53
5802038-515	23- 5 - 23	602104-6	27- 9 - 11	65549	22- 2 - 16
	34-24 - 17	602111-1	11- 2 - 32	65321	78- 1 - 10
5802055-502	34-12 - 1	606001-1	27- 6 - 1	66224	73- 1 - 9
5802060-501	34-15 - 6		27- 6 - 1	7-06	33- 6 - 10
	34-15 - 6		32-17 - 1	7-20	33- 6 - 3
5802066-501	34-26 - 3	6121	32-17 - 1	7ACP10017-1	21- 3 - 1
5802211-502	34-27 - 10	622-3586-001	77- 1 - 26	TAC10000-1	21- 2 -
580235-502	34-27 - 5	6246-00086	34-20 - 5	7AC10000-11	21- 2 - 9
580238-516	34-27 - 6	6246-00087	73- 4 - 1	7AC10000-13	21- 2 - 11
5803005-2	11- 1 - 3	6246-00088	24- 2 - 24	7AC10000-17	21- 2 - 19
5803007-106	11- 2 - 22	6246-00089	77- 2 - 1	7AC10000-19	21- 2 - 13
5803007-109	11- 2 - 21	6246-0085	77- 2 - 1	7AC10002-1	21- 1 - 1
5803007-26	11- 2 - 31	6246-0089	28- 9 - 1	7AC10010-3	21- 3 -
5803007-78	11- 1 - 4	6246-0090	79- 2 - 1	7AC10010-4	21- 3 -
5803007-86	11- 1 - 4	628-5289-001	79- 3 - 1	7AC10110-13	21- 2 - 4
5803007-86	11- 2 - 23	628-5329-001	23- 4 - 13	7AC10110-15	21- 2 - 4
5803007-91	11- 2 - 27	628-5359-001	23- 4 - 11	7AC10110-19	21- 2 - 4
5803013-1	11- 2 - 28	628-5416-001	34-17 - 10		
5804001-2	21- 4 - 2		34-21 - 6		
5804034-6	25- 5 - 18		23- 4 - 7		

Part Number	Figure & Index Number	Part Number	Figure & Index Number	Part Number	Figure & Index Number
7AC10110-3	21- 2 - 4 21- 3 - 2	7AV10101-18	24- 2 - 4	7AV10105-2	24- 1 - 46
7AC10110-4	21- 2 - 4 21- 3 - 2	7AV10101-19	74- 1 - 8	7AV10110	32-22 -
7AC10111-1	21- 2 - 5	7AV10101-2	24- 1 - 30 24- 2 - 61	7AV10110-1	32-22 - 1 33- 2 - 13
7AC10111-11	21- 2 - 3		33- 3 - 12 33- 5 - 10 34- 6 - 3	7AV10110-10	27-15 - 29 32-22 - 28 33- 6 - 17
7AC10111-13	21- 2 - 7		87- 1 - 20	7AV10110-11	32-22 - 31
7AC10112-11	21- 5 - 22	7AV10101-20	24- 2 - 4	7AV10110-12	32-22 - 34
7AC10112-13	21- 5 - 29	7AV10101-22	33- 6 - 14	7AV10110-13	32-22 - 39
7AC10112-15	21- 5 - 24	7AV10101-3	24- 1 - 36	7AV10110-14	32-22 - 42
7AC10112-17	21- 5 - 21	7AV10101-4	80- 1 - 5	7AV10110-15	27-15 - 18 32-22 - 46
7AC10121-1	21- 1 - 13	7AV10101-47	24- 2 - 51	7AV10110-2	30- 1 - 3 32-22 - 5 33- 2 - 19
7AC10121-3	21- 1 - 5	7AV10101-5	80- 1 - 5	7AV10110-21	32-22 - 37
7AC10121-57	21- 5 - 1	7AV10101-6	24- 1 - 32 24- 2 - 60 33- 3 - 11 33- 5 - 9 34- 6 - 2 80- 1 - 22	7AV10110-3	32-22 - 8
7AC10121-63	21- 5 - 7			7AV10110-4	30- 1 - 4 32-22 - 13 33- 2 - 9
7AC10122-1	21- 1 - 23	7AV10101-7	24- 1 - 38	7AV10110-5	32-22 - 13
7AC10131-1	21- 2 - 12	7AV10101-8	24- 2 - 47 27-14 - 13 32-22 - 48	7AV10110-6	32-22 - 15
7AC10131-2	21- 2 - 12			7AV10110-7	32-22 - 17
7AC10132-1	21- 2 - 14	7AV10101-9	28-10 - 2 74- 1 - 4	7AV10110-8	27-15 - 32 32-22 - 21 33- 6 - 16
7AC10200-1	21- 4 -	7AV10102-1	33- 6 - 15	7AV10110-9	32-22 - 24
7AC10200-2	21- 4 -	7AV10102-10	33- 1 - 34	7AV10112-1	24- 3 - 16
7AC10200-5	21- 4 - 4	7AV10102-2	33- 1 - 27 33- 2 - 8 33- 3 - 10	7AV10112-2	24- 1 - 24
7AC10200-7	21- 4 - 3	7AV10102-3	33- 1 - 29	7AV10112-3	24- 2 - 52
7AC10200-9	21- 4 - 5	7AV10102-4	33- 1 - 30	7AV10112-4	24- 2 - 53
7AC10202-1	21- 3 - 4	7AV10102-5	27-15 - 9 33- 1 - 29	7AV10112-5	24- 2 - 30
7AC10202-17	21- 3 - 6	7AV10102-6	27-15 - 7 33- 1 - 30	7AV10112-6	24- 2 - 36
7AC10202-2	21- 3 - 4	7AV10102-7	33- 1 - 31	7AV10112-7	32-22 - 49
7AV10101-10	24- 2 - 22	7AV10102-8	33- 1 - 37	7AV10112-8	32-22 - 23 32-22 - 43
7AV10101-11	28-10 - 2 74- 1 - 4	7AV10102-9	33- 1 - 31	7AV10113-1	24- 2 - 49
7AV10101-12	24- 2 - 22	7AV10103-1	27-14 - 6	7AV10113-2	24- 2 - 50
7AV10101-13	28-10 - 3 74- 1 - 5	7AV10103-2	27-14 - 2	7AV10114-11	24- 3 - 17
7AV10101-14	24- 2 - 19	7AV10105-1	24- 1 - 43	7AV10114-13	24- 1 - 25
7AV10101-15	28-10 - 3 74- 1 - 5				
7AV10101-16	24- 2 - 19				
7AV10101-17	74- 1 - 8				

SECTION II
NUMERICAL INDEX

GRUMMAN AMERICAN AVIATION
GA-7/COUGAR
ILLUSTRATED PARTS CATALOG

SECTION II
NUMERICAL INDEX

Part Number	Figure & Index Number	Part Number	Figure & Index Number	Part Number	Figure & Index Number
7AV10114-13	80- 1 - 12	7AV10708-16	34-10 - 5 34-11 - 5	7AV10721-3	34- 8 - 7 34-15 -
7AV10114-15	24- 1 - 35 80- 1 - 13	7AV10708-17	34-11 - 6	7AV10722-1	23- 6 -
7AV10600-4	33- 4 - 8 33- 5 - 8	7AV10708-18	34-11 - 13	7AV10732-1	23- 1 - 7
7AV10600-5	33- 4 - 7 33- 5 - 7	7AV10708-2	23- 1 - 26	7AV10733-1	23- 1 - 2
7AV10700-1	23- 1 - 23- 2 - 23- 3 - 23- 5 - 23- 6 - 34- 7 - 34- 8 - 34-16 - 34-23 -	7AV10708-4	34- 7 - 2 34-10 - 10 34-11 - 12	7AV10740-1	23- 3 - 34-16 -
7AV10701-1	23- 1 - 23- 2 - 16 34- 7 -	7AV10708-5	34-13 - 3 34-21 - 13 34-26 - 20	7AV10740-11	34-16 - 4 34-21 -
7AV10701-2	34- 7 - 4	7AV10708-6	34-12 - 12	7AV10740-13	23- 3 - 34-16 - 5 34-22 -
7AV10701-3	23- 1 - 29	7AV10708-7	34-10 - 3 34-11 - 4 34-22 - 4 34-29 - 4	7AV10740-3	23- 3 - 2
7AV10701-5	23- 1 - 23- 5 - 5	7AV10708-8	34-15 - 5	7AV10740-5	34-16 - 2 34-19 -
7AV10704-1	23- 1 - 13	7AV10709-1	34- 9 - 2	7AV10740-7	34-16 - 1 34-17 -
7AV10704-11	23- 1 - 17	7AV10709-3	23- 2 - 5	7AV10740-9	34-16 - 3 34-20 -
7AV10705-1	23- 1 - 9	7AV10709-5	34-10 - 13 34-11 - 16	7AV10741-1	23- 3 - 15 23- 4 -
7AV10706-1	23- 1 - 20	7AV10710-1	23- 1 -	7AV10742-1	34-17 - 4 34-19 - 1
7AV10707-1	34- 7 - 34-25 - 11 55- 1 - 23	7AV10710-2	34-15 - 6	7AV10743-1	34-20 - 12
7AV10707-10	34-26 - 16	7AV10711-1	34- 8 - 1 34- 9 -	7AV10744-1	34-21 - 3
7AV10707-11	34-21 - 9	7AV10711-3	23- 2 - 2	7AV10745-1	34-18 - 5 34-18 - 5
7AV10707-2	23- 1 - 22	7AV10712-1	34- 8 - 1 34-10 -	7AV10746-1	34-20 - 4
7AV10707-3	34-15 - 2	7AV10712-3	34- 8 - 2 34-11 -	7AV10747-1	23- 4 - 3
7AV10707-51	34- 7 - 11	7AV10715-1	34- 8 - 3 34-12 -	7AV10747-11	34-18 - 7
7AV10707-6	34- 7 - 4	7AV10716-1	34-12 - 4	7AV10747-13	34-17 - 6
7AV10707-7	34-22 - 2 34-29 - 2	7AV10717-1	34- 7 - 22 34-20 - 10	7AV10747-3	34-17 - 6
7AV10707-8	23- 1 - 29	7AV10717-11	34-27 - 11	7AV10747-5	34-22 - 6
7AV10707-9	34-13 - 3	7AV10718-1	34- 8 - 4 34-13 -	7AV10747-7	34-21 - 3 34-21 - 7
7AV10708-12	23- 1 - 36	7AV10719-1	34- 8 - 5 34-14 - 34-16 - 6	7AV10747-9	34-20 - 13
7AV10708-14	34-11 - 8	7AV10720-1	23- 2 - 34- 8 - 6	7AV10748-1	34-17 - 23 34-18 -
7AV10708-15	34-10 - 7 34-11 - 6	7AV10721-1	34- 8 - 7 34-15 -	7AV10748-3	34-17 - 23 34-18 -
				7AV10751-1	23- 5 - 34-23 - 1 34-24 -

Part Number	Figure & Index Number	Part Number	Figure & Index Number	Part Number	Figure & Index Number
7AV10752-1	23- 5 - 34-23 - 2 34-25 -	7810000-13	53- 1 - 41	7810300-1	52- 4 -
7AV10753-1	34-23 - 3 34-26 -	7810001-1	53- 1 - 36	7810300-19	52- 4 - 5
7AV10754-1	34-23 - 4 34-27 -	7810200-1	53- 1 - 45 53- 3 -	7810300-21	52- 4 - 2
7AV10755-1	34-23 - 5 34-28 -	7810200-105	53- 3 - 27	7810300-27	52- 4 - 12
7AV10760-2	34-28 - 10	7810200-3	53- 3 - 9	7810300-5	52- 4 - 1
7AV10761-1	23- 5 - 34-23 - 6 34-29 -	7810200-43	53- 3 - 1	7810300-53	52- 4 - 4
7AV10762-1	34-27 - 7	7810200-5	53- 3 - 9	7810300-7	52- 4 - 7
7AV10920-1	23- 1 - 30	7810200-61	53- 3 - 5	7810400-9	32- 9 - 7
7A659	22- 2 - 14	7810204-1	53- 3 - 16 53- 4 -	7810500-1	53- 1 - 52
78M10208-11	53- 4 - 8	7810204-15	53- 4 - 6	7810501-3	53- 1 - 34
78M11011-15	52- 1 - 1	7810204-17	53- 4 - 1	7810501-5	53- 1 - 31
78M11011-17	52- 1 - 2 53- 1 - 76 53- 1 - 79	7810204-19	53- 4 - 4	7810503-1	53- 1 - 53
78M11320-1	52- 3 - 20	7810204-2	53- 4 - 4	7810503-3	53- 1 - 53
78M11323-11	52- 2 - 13	7810204-23	53- 3 - 16 53- 4 -	7810503-5	53- 1 - 54
78M11327-11	53- 1 - 84	7810204-25	53- 4 - 15	7810503-73	53- 1 - 57
78M11328-11	53- 1 - 86	7810204-29	24- 1 - 9	7810503-95	22- 2 - 37
78M11329-11	53- 1 - 88	7810204-31	24- 1 - 8	7810506-1	53- 1 -
78M11330-11	53- 1 - 87	7810204-32	53- 4 - 33	7810506-3	53- 1 - 1
78P10400-1	53- 1 - 45	7810204-35	53- 4 - 13	7810514-1	53- 1 - 93
78P10400-13	53- 1 - 50	7810204-35	53- 4 - 31	7810518-1	53- 1 - 8
78P10400-3	53- 1 - 46	7810204-89	53- 4 - 25 53- 4 - 35	7810518-33	53- 1 - 23
78P10520-11	53- 1 - 90	7810204-91	53- 4 - 23	7810518-35	53- 1 - 21
78P10521-1	53- 1 - 5	7810205-13	53- 4 - 27	7810518-37	53- 1 - 25
78P11315-13	52- 2 - 1	7810209-1	53- 4 - 27	7810600-1	52- 5 - 1
78P11316-11	52- 2 - 6	7810209-10	53- 3 - 9	7810600-17	52- 5 - 8
78P1133-11	52- 3 - 1	7810209-3	53- 3 - 10	7810600-19	52- 5 - 9
78V11012-11	52- 1 - 5	7810209-5	53- 3 - 9	7810600-29	52- 5 - 13
78V11014-11	52- 3 - 34	7810209-7	53- 3 - 13	7810600-911	52- 5 - 7
7810000-1	53- 1 -	7810209-9	53- 3 - 13	7810701-35	25- 2 - 7 25- 2 - 22
7810000-11	53- 1 - 43	7810210-1	53- 3 - 10	7810800-3	53- 1 - 40
		7810210-11	53- 3 - 16	7810808-11	56- 4 - 6
		7810210-13	53- 3 - 23	7810808-12	56- 4 - 6
		7810210-15	53- 3 - 17	7810808-13	56- 4 - 4
		7810210-3	53- 3 - 21	7810808-15	56- 4 - 12
			53- 3 - 16	7810808-16	56- 4 - 12

SECTION II
NUMERICAL INDEX

GRUMMAN AMERICAN AVIATION
GA-7/COUGAR
ILLUSTRATED PARTS CATALOG

SECTION II
NUMERICAL INDEX

Part Number	Figure & Index Number	Part Number	Figure & Index Number	Part Number	Figure & Index Number
7810809-17	56- 4 - 10	7810907-19	56- 2 - 28	7811001-39	56- 5 - 6
7810808-19	56- 4 - 8	7810907-23	56- 2 - 33	7811001-41	56- 5 - 7
7810808-29	56- 4 - 2	7810907-25	56- 2 - 32	7811001-5	52- 1 -
7810809-11	56- 4 - 1	7810907-27	56- 2 - 30	7811002-1	52- 1 - 6
7810809-12	56- 4 - 1	7810907-3	56- 2 - 1	7811200-1	53- 1 - 98
7810809-13	56- 4 - 1	7810907-5	56- 2 - 22	7811200-11	53- 1 - 99
7810909-14	56- 4 - 1	7810907-7	56- 2 - 22	7811200-17	53- 1 -103
7810810-11	55- 1 - 4	7810908-1	56- 1 -	7811200-23	53- 1 -100
7810810-12	55- 1 - 4	7810908-11	56- 1 - 2	7811300-1	52- 1 - 11
7810810-17	55- 1 - 4	7810908-13	56- 1 - 3	7811300-11	52- 3 - 5
7810810-18	55- 1 - 4	7810908-15	56- 1 - 1	7811300-13	52- 3 - 7
7810810-19	55- 1 - 6	7810908-17	56- 1 - 4	7811300-3	52- 3 -
7810810-3	55- 1 - 3	7810908-19	56- 1 - 6	7811300-5	52- 3 - 2
7810810-4	55- 1 - 3	7810908-21	56- 1 - 5	7811300-7	52- 3 - 9
7810900-1	56- 2 -	7810908-23	56- 1 - 1	7811300-9	52- 3 - 30
7810900-3	53- 1 - 42	7810919-11	56- 2 - 23	7811301-1	52- 1 - 10
7810900-81	56- 2 - 4	7810921-1	56- 3 - 1	7811301-11	52- 2 - 4
7810904-11	56- 2 - 6 56- 2 - 17	7810921-15	56- 3 - 8	7811301-13	52- 2 - 19
7810904-13	56- 2 - 5 56- 2 - 18	7810921-19	11- 2 - 24	7811301-15	52- 2 - 10
7810904-15	56- 2 - 2 56- 2 - 12	7810922-1	56- 3 - 10	7811301-17	52- 2 - 15
7810904-18	56- 2 - 20	7810922-11	56- 3 - 11	7811301-21	52- 2 - 14
7810904-20	56- 2 - 21	7810922-25	56- 3 - 11	7811301-23	52- 2 - 7
7810904-21	56- 2 - 9	7810923-1	56- 3 - 12	7811301-3	52- 2 -
7810904-26	56- 2 - 14	7810923-13	56- 3 - 4	7811301-31	52- 2 - 3
7810904-28	56- 2 - 15	7810923-17	56- 3 - 3 56- 3 - 7	7811302-1	53- 1 - 81
7810905-12	56- 2 - 11	7810923-19	56- 3 - 2	7811310-11	52- 3 - 11
7810905-14	56- 2 - 11	7810923-25	56- 3 - 3 56- 3 - 7	7811310-13	52- 3 - 32
7810906-15	53- 1 - 80	7810923-5	56- 3 - 6	7811311-11	52- 3 - 24
7810907-1	56- 2 - 1	7811001-1	52- 1 -	7811311-13	52- 3 - 16
7810907-11	56- 2 - 34	7811001-21	56- 5 - 1	7811313-1	52- 2 - 18
7810907-12	56- 2 - 34	7811001-29	56- 5 - 1	7811314-1	52- 3 - 28
7810907-15	56- 2 - 27	7811001-33	52- 1 - 8	7811321-11	52- 3 - 17
7810907-17	56- 2 - 27	7811001-35	56- 5 - 2	7811324-13	52- 2 - 12
		7811001-37	56- 5 - 4	7811325-11	52- 2 - 9
				7811400-1	32- 1 - 40 32- 9 -

Part Number	Figure & Index Number	Part Number	Figure & Index Number	Part Number	Figure & Index Number
7811400-1	53- 1 - 51	7CM10352-13	53- 1 - 15	7CS10202-4	27- 7 - 13
7811400-2	32- 1 - 40 32- 9 - 53- 1 - 51	7CM10352-14	53- 1 - 15	7CS10220-13	27- 5 - 16
7811400-31	32- 9 - 14	7CM10413-11	27- 6 - 36	7CS10230-M	27- 7 - 9
7811400-33	32- 9 - 4	7CM10414-13	27- 6 - 42 55- 1 - 25	7CS10231-11	27- 7 - 11
7811400-35	32- 9 - 3	7CM10450-11	27- 6 - 9 32-17 - 42 53- 1 - 62	7CS10231-13	27- 5 - 12
7811400-37	32- 9 - 11	7CM10510-1	27- 3 - 10	7CS10300-1	55- 1 -
7811400-5	32- 9 - 19	7CM10613-1	27-10 - 19	7CS10300-11	55- 1 - 22
7811400-7	32- 9 -	7CM10613-11	27-10 - 27	7CS10303-15	55- 2 - 16
7811400-8	32- 9 -	7CM10613-17	27-10 - 21	7CS10400-1	55- 1 - 7
781380	22- 2 - 41	7CM10613-17	27-10 - 21	7CS10402-1	27-12 - 19
781449	22- 2 - 43	7CM10613-19	27-10 - 67	7CS10425-1	27- 6 - 41 55- 1 - 17
7CM10102-11	27- 2 - 1	7CM10613-21	27-10 - 11	7CS10425-11	55- 1 - 19
7CM10111-1	27- 9 - 21	7CM10613-23	27-10 - 62	7CS10425-13	55- 1 - 16
7CM10111-11	22- 2 - 20A	7CM10613-5	27-10 - 50	7CS10425-15	55- 1 - 13
7CM10112-11	27- 9 - 22	7CM10615-1	27- 2 - 12 27-10 - 35	7CS10425-17	27- 5 - 8
7CM10113-11	22- 2 - 20B 27- 9 - 23	7CM10615-19	27-10 - 45	7CS10425-3	55- 1 - 14
7CM10113-13	27- 9 - 20 27- 9 - 20	7CM10615-3	27-10 - 43	7CS10500	27- 6 - 40
7CM10114-11	27- 9 - 13	7CM10615-5	27-10 - 44	7CS10500-1	27- 5 - 55- 1 - 3
7CM10115-11	27- 9 - 8	7CS10000-1	55- 2 -	7CS10500-11	27- 5 - 3
7CM10151-11	27- 6 - 28 27- 6 - 30 27- 8 - 14 27- 8 - 16 27-11 - 30 27-12 - 32	7CS10000-11	55- 2 - 19	7CS10503-1	27- 5 - 14
7CM10151-13	27-11 - 30 27-12 - 32	7CS10000-15	55- 2 - 4	7CS10524-5	55- 1 - 11
7CM10151-15	27- 6 - 26 27- 8 - 18 27-12 - 36	7CS10100-1	55- 2 - 1	7CS10533-13	27- 5 - 15
7CM10211-11	27- 2 - 38	7CS10100-2	55- 2 - 1	7CS10534-901	27- 5 - 6 27- 6 - 39
7CM10254-13	27- 6 - 30 27- 8 - 14 27-11 - 30 27-11 - 34 27-12 - 32 27-12 - 36	7CS10103-1	55- 2 - 7	7CS10540-1	27- 5 - 10
7CM10311-11	27- 9 - 17	7CS10103-11	55- 2 - 9	7CS10700-1	53- 1 - 37
7CM10312-11	27- 6 - 15 27- 8 - 25	7CS10103-13	55- 2 - 13	7CS10700-13	55- 1 - 1
		7CS10103-3	27-13 - 43 55- 2 - 10	7CS10710-11	53- 1 - 38
		7CS10103-5	55- 2 - 13	7CS10800-1	27- 1 - 27- 2 - 46
		7CS10103-9	27-13 - 9	7CS10800-2	27- 1 - 27- 2 - 46
		7CS10111-1	55- 1 - 24 55- 2 - 6	7CS10801-1	27- 1 - 1
		7CS10200-2	27- 7 - 2	7CS10801-13	27- 1 - 4
		7CS10200-21	27- 7 - 1	7CS10801-2	27- 1 - 1
		7CS10202-2	27- 7 - 12	7CS10900-1	27- 4 -

SECTION II
NUMERICAL INDEX

GRUMMAN AMERICAN AVIATION
GA-7/COUGAR
ILLUSTRATED PARTS CATALOG

SECTION II
NUMERICAL INDEX

Part Number	Figure & Index Number	Part Number	Figure & Index Number	Part Number	Figure & Index Number
7CS10900-2	27- 4 -	7C10150-28	27-11 - 19	7C10305-7	55- 2 - 5
7CS10901-1	27- 4 - 1	7C10150-3	27- 2 - 10 27-10 - 73	7C10305-8	27- 7 - 16 55- 2 - 5
7CS10901-2	27- 4 - 1	7C10150-4	27- 2 - 17 27-10 - 74	7C10308-1	27-13 - 4
7C10100-1	27- 8 - 39 27- 9 - 27-10 - 29	7C10150-5	27- 2 - 30	7C10309-1	27-13 - 8
7C10100-11	27- 2 - 3	7C10150-6	27- 2 - 26	7C10309-3	27-13 - 16
7C10100-3	27- 8 - 39 27- 9 -	7C10150-7	27- 2 - 29	7C10309-5	27-13 - 21
7C10101-3	27- 9 - 4	7C10200-1	27- 2 -	7C10309-7	27-13 - 30
7C10101-5	27- 9 - 2	7C10200-2	27- 2 -	7C10310-1	27- 8 - 38 27-13 -
7C10103-1	27- 9 - 19 27- 9 - 19	7C10201-1	27- 2 - 34	7C10310-15	27-13 - 15
7C10103-11	22- 2 - 20	7C10201-2	27- 2 - 34	7C10310-3	27-13 -
7C10103-3	22- 2 - 20	7C10201-3	27- 2 - 36	7C10310-5	27-13 - 14
7C10103-9	23- 1 - 40	7C10201-4	27- 2 - 36	7C10350-1	53- 1 - 72
7C10116-11	27- 2 - 9 27-10 - 40	7C10223-11	27- 7 - 7	7C10350-2	53- 1 - 71
7C10116-3	27- 2 - 9 27-10 - 39	7C10250-1	27- 9 - 1 53- 1 - 68	7C10351-1	53- 1 - 65
7C10117-1	27- 2 - 25 27-11 - 21	7C10251-11	39- 3 - 8	7C10400-1	27- 6 - 32-17 -
7C10117-11	27- 2 - 15 27- 2 - 20	7C10251-13	39- 3 - 7	7C10400-3	27- 6 - 32-17 -
7C10117-15	27- 6 - 28 27- 8 - 16 27-11 - 30 27-12 - 32	7C10252-11	39- 3 - 9	7C10401-1	27- 6 - 6 32-17 - 37
7C10117-17	27-11 - 23	7C10253-11	39- 3 - 6	7C10401-2	27- 6 - 7 32-17 - 38
7C10117-19	27-11 - 14	7C10301-1	27- 8 - 35	7C10401-2	27- 6 - 7 32-17 - 38
7C10150-1	27- 2 - 7 27-10 - 72	7C10302-1	27- 6 - 18 27- 8 - 28	7C10402-1	27- 1 - 6 27- 2 - 44 27- 6 - 11 27- 8 - 21
7C10150-11	27- 8 - 8	7C10302-2	27- 6 - 22 27- 8 - 34	7C10403-1	53- 1 - 9
7C10150-15	27- 6 - 23	7C10302-3	27- 6 - 21 27- 8 - 31	7C10403-13	27- 6 - 35 53- 1 - 11
7C10150-17	27- 6 - 33	7C10303-1	27- 8 - 6	7C10404-1	32-17 - 8
7C10150-21	27-11 - 28	7C10304-1	27- 8 - 3	7C10404-11	32-17 - 29
7C10150-22	27-11 - 19	7C10304-5	27-11 - 6 27-12 - 6	7C10404-3	32-17 - 13
7C10150-24	27-12 - 30	7C10305-1	27- 7 - 14	7C10404-5	32-17 - 23 32-18 - 5
7C10150-25	27-12 - 25	7C10305-19	27- 7 - 18	7C10404-7	32-17 - 25
7C10150-27	27-11 - 18	7C10305-2	27- 7 - 14	7C10411-1	32-17 - 34 32-17 - 36 53- 1 - 58
7C10150-28	22- 5 -	7C10305-3	27- 7 - 15 27- 8 - 1	7C10412-11	27- 6 - 13
		7C10305-4	27- 7 - 15 27- 8 - 2	7C10412-13	27- 6 - 14
		7C10305-7	27- 7 - 16		

Part Number	Figure & Index Number	Part Number	Figure & Index Number	Part Number	Figure & Index Number
7C10412-17	27-13 - 34	7C10701-19	39- 6 - 20	7FM10411-11	25- 1 - 38
7C10415-1	27- 6 - 14 27- 8 - 23	7C10701-21	27-11 - 39 27-12 - 46 39- 6 - 18	7FM10412-11	25- 1 - 41
7C10415-5	27- 6 - 14 27- 8 - 32	7C10701-3	27-11 - 35 27-12 - 42 39- 6 - 16	7FM10414-11	25- 1 - 13
7C10500	27- 3 -	7C10702-1	27-11 - 11	7FM10414-13	25- 1 - 2
7C10500-1	27- 3 -	7C10702-3	27-12 - 11	7FM10712-11	32-19 - 27
7C10500-11	27- 3 - 14	7C10704-11	27-11 - 7	7FM10712-13	32-19 - 23
7C10501-1	27- 3 - 1	7C10704-13	27-12 - 7	7FP10029-1	39- 1 - 1
7C10501-11	27- 3 - 5	7C10704-3	27-12 - 1	7FP10030-1	39- 2 -
7C10502-1	27- 3 - 4	7C10704-5	27-11 - 1	7FP10030-11	39- 2 - 2
7C10503-3	27- 3 - 15	7C10800-1	27-12 -	7FP10030-17	39- 2 - 7
7C10504-1	27- 3 - 13	7C10800-13	27-12 - 15	7FP10030-19	39- 2 - 1
7C10505-1	27- 4 - 4	7C10800-15	27-12 - 16	7FP10030-21	39- 2 - 3
7C10505-11	27- 4 - 8	7C10800-3	27-12 - 13	7FP10036-1	39- 1 - 3
7C10505-13	27- 4 - 9	7C1769	22- 4 - 11	7FP10320-11	39- 6 - 7
7C10511-11	27- 3 - 7	7C1770	22- 3 - 7	7FP10322-1	39- 5 - 10
7C10600-1	27-10 -	7C1773	22- 3 - 11	7FP10322-3	39- 5 - 6
7C10611-15	27-10 - 13 27-12 - 41	7D1836	22- 4 - 7	7FP10322-5	39- 5 - 8
7C10611-19	27-10 - 14	7FC10713-11	11- 2 - 29 22- 2 - 24	7FP10322-7	32-19 - 21
7C10612-1	27-10 - 5	7FM10321-1	39- 5 - 19	7FP10322-9	27-14 - 11
7C10612-3	27-10 - 17	7FM10321-11	39- 5 - 29	7FP10329-13	21- 5 - 16 30- 2 - 8 61- 4 - 10
7C10612-31	27-10 - 6	7FM10321-13	39- 5 - 18	7FP10329-15	32-15 - 8 32-16 - 1
7C10612-43	27-10 - 63	7FM10321-15	39- 5 - 30	7FP10329-17	21- 5 - 16 61- 4 - 11
7C10612-5	27- 9 - 15 27-10 - 30	7FM10321-17	39- 5 - 31	7FP10329-19	28- 4 - 7
7C10612-7	27-10 - 7	7FM10321-19	39- 5 - 33	7FP10330-11	39- 4 - 1
7C10616-1	27-10 - 1	7FM10321-21	39- 5 - 34	7FP10340-11	24- 2 - 42
7C10700-1	27-11 -	7FM10321-23	39- 5 - 35	7FP10340-13	24- 2 - 36
7C10700-11	27-11 - 16 27-12 - 23	7FM10321-3	39- 5 - 24	7FP10410-11	27- 9 - 24
7C10701-13	27-11 - 40 27-12 - 47 39- 6 - 19	7FM10321-35	39- 5 - 32	7FP10410-15	22- 2 - 200
7C10701-17	27-11 - 37 27-12 - 44 39- 6 - 21	7FM10321-37	39- 5 - 40	7FP10410-17	22- 2 - 207
7C10701-19	27-11 - 38 27-12 - 45	7FM10321-39	39- 5 - 25 39- 5 - 36	7FP10411-11	27- 9 - 25
		7FM10321-41	39- 5 - 28	7FP10411-13	22- 2 - 244
		7FM10321-43	39- 5 - 27	7FP10919-5	33- 3 - 2
				7F10026	21- 4 - 5

Part Number	Figure & Index Number	Part Number	Figure & Index Number	Part Number	Figure & Index Number
7F10034-13	39- 4 - 5	7F10038-85	11- 2 - 7	7F10101-A3-911	39- 3 - 18
7F10038-101	11- 2 - 35	7F10038-87	11- 2 - 33	7F10102-1	34- 1 -
7F10038-103	11- 2 - 36	7F10038-89	11- 1 - 11	7F10102-11	34- 1 - 3
7F10038-105	11- 2 - 13	7F10038-91	11- 1 - 15	7F10103-1	34- 2 -
7F10038-107	11- 2 - 38	7F10038-93	11- 2 - 34	7F10104-1	33- 4 - 10
7F10038-108	11- 2 - 39	7F10038-95	11- 1 - 14	7F10105	24- 2 - 60
7F10038-11	11- 2 - 15 25- 4 - 23	7F10038-97	11- 2 - 37	7F10120-1	77- 1 -
7F10038-111	22- 2 - 19	7F10038-99	11- 1 - 13	7F10120-11	77- 1 - 15
7F10038-13	11- 1 - 9 53- 1 - 113	7F10039-13	11- 2 - 26 39- 4 - 3	7F10120-13	77- 1 - 21
7F10038-17	27- 9 - 27	7F10047-1	25- 5 -	7F10122-001MP-4	77- 1 - 12
7F10038-31	11- 2 - 10 27-10 - 3	7F10047-3	25- 5 -	7F10122-002MP-4	77- 1 - 13
7F10038-35	11- 2 - 4	7F10057-11	11- 1 - 8	7F10122-003MP-4	77- 1 - 4
7F10038-39	11- 1 - 12	7F10057-13	11- 1 - 8	7F10122-004MP-4	77- 1 - 6
7F10038-41	11- 2 - 9 22- 2 - 17	7F10077-1	25- 5 -	7F10122-005MP-4	77- 1 - 1
7F10038-43	32-20 - 11	7F10077-11	25- 5 - 15	7F10122-006MP-4	77- 1 - 7
7F10038-45	11- 1 - 7	7F10077-15	25- 5 - 13	7F10122-007MP-4	77- 1 - 18
7F10038-47	11- 2 - 3 32-18 - 12	7F10077-17	25- 5 - 4	7F10122-008MP-4	77- 1 - 25
7F10038-49	11- 2 - 1	7F10077-19	25- 5 - 6	7F10122-009-HMP4	77- 3 - 1
7F10038-51	11- 2 - 2	7F10077-21	25- 5 - 10	7F10122-010MP-4	77- 1 - 10
7F10038-53	11- 1 - 6	7F10077-3	25- 5 - 14	7F10122-011MP-4	77- 1 - 11
7F10038-55	11- 2 - 5 25- 4 - 4	7F10100-11	39- 3 - 13 53- 2 - 12	7F10130-1	39- 3 - 2
7F10038-59	11- 2 - 11 23- 1 - 14	7F10100-13	39- 3 - 16	7F10130-11	53- 2 - 30
7F10038-61	11- 2 - 14	7F10100-33	39- 3 - 15 39- 3 - 17 53- 2 - 16	7F10130-13	53- 2 - 4
7F10038-69	11- 2 - 18	7F10100-35	39- 3 - 14 53- 2 - 14	7F10130-15	53- 2 - 24
7F10038-71	11- 2 - 6	7F10100-43	39- 3 - 19 53- 2 -	7F10130-16	53- 2 - 37
7F10038-73	11- 2 - 17	7F10100-45	39- 3 - 19 53- 2 - 1	7F10130-17	53- 2 - 18
7F10038-75	11- 2 - 19 39- 6 - 14	7F10100-5	39- 3 - 53- 1 - 44 53- 2 -	7F10130-19	53- 2 - 9
7F10038-77	11- 2 - 16	7F10100-7	39- 3 - 53- 2 - 1	7F10130-21	53- 2 - 21
7F10038-79	11- 2 - 8	7F10100-911	21- 3 - 23	7F10130-23	53- 2 - 7
7F10038-81	11- 2 - 12	7F10100-913	21- 3 - 23	7F10130-25	53- 2 - 27
7F10038-83	11- 2 - 20			7F10131-11	23- 2 - 20
				7F10131-12	23- 2 - 18
				7F10131-17	23- 2 - 23
				7F10131-18	23- 2 - 26
				7F10131-19	23- 2 - 22

Part Number	Figure & Index Number	Part Number	Figure & Index Number	Part Number	Figure & Index Number
FF1031-20	23-2-17	FF1311-15	39-4-12	FF1300-11	25-1-53
FF1031-21	23-2-25	FF1031-17	39-4-14	FF1040-2	25-1-58
FF1031-22	23-1-9	FF1031-19	39-4-8	FF1040-1	25-1-1
FF1031-23	39-2-5	FF1031-21	39-4-4	FF1040-11	25-1-15
FF1031-24	22-2-51	FF1031-22	30-4-21	FF1040-12	25-1-15
FF1031-25	23-3-8	FF1031-23	39-4-21	FF1040-13	25-1-18
FF1031-26	23-3-10	FF1031-24	73-2-8	FF1040-15	25-1-16
FF1031-27	23-3-12	FF1031-25	23-1-15	FF1040-17	25-1-19
FF1031-28	23-3-13	FF1031-26	39-5-12	FF1040-2	25-1-1
FF1031-29	23-3-14	FF1031-27	39-5-14	FF1040-23	25-1-20
FF1031-30	23-5-6	FF1031-28	39-5-13	FF1040-24	25-1-20
FF1031-31	23-5-7	FF1031-29	39-5-15	FF1040-25	25-1-17
FF1031-32	23-5-9	FF1031-30	39-6-12	FF1040-25	25-3-1
FF1031-33	23-5-9	FF1031-31	11-2-25	FF1040-27	25-3-2
FF1031-34	23-5-9	FF1031-32	39-6-3	FF1040-5	25-3-3
FF1031-35	39-1-1	FF1031-33	39-6-4	FF1040-7	25-1-59
FF1031-36	39-1-6	FF1031-34	39-6-9	FF1040-9	25-3-4
FF1031-37	39-1-5	FF1031-35	39-6-11	FF1040-9	25-3-4
FF1031-38	39-1-1	FF1031-36	39-6-26	FF1040-1	25-1-25
FF1031-39	33-4-1	FF1031-37	39-6-27	FF1040-15	25-1-30
FF1031-40	33-5-1	FF1031-38	39-6-30	FF1041-11	25-1-42
FF1031-41	39-4-16	FF1031-39	39-6-31	FF1041-11	25-1-21
FF1031-42	39-5-1	FF1031-40	39-6-28	FF1041-3	25-1-34
FF1031-43	39-4-25	FF1031-41	39-4-20	FF1041-9-1	25-1-6
FF1031-44	39-4-25	FF1031-42	39-4-18	FF1041-9-2	25-1-6
FF1031-45	39-6-2	FF1031-43	30-4-11	FF1042-1	25-2-1
FF1031-46	39-4-22	FF1031-44	39-4-24	FF1042-3	25-2-1
FF1031-47	39-4-22	FF1031-45	61-4-8	FF1042-1	25-2-13
FF1031-48	39-4-19	FF1031-46	30-2-8	FF1042-13	25-2-8
FF1031-49	39-4-19	FF1031-47	27-15-28	FF1042-21	25-2-37
FF1031-50	39-4-19	FF1031-48	39-5-44	FF1042-21	25-2-37
FF1031-51	39-4-17	FF1031-49	39-6-22	FF1042-23	25-2-36
FF1031-52	39-4-17	FF1031-50	27-11-42	FF1042-3	25-2-1
FF1031-53	39-4-17	FF1031-51	12-2-1	FF1042-47	25-2-9
FF1031-54	39-4-23	FF1040-1	25-1-1	FF10421-49	25-2-10

SECTION II
NUMERICAL INDEX

GRUMMAN AMERICAN AVIATION
GA-7/COUGAR
ILLUSTRATED PARTS CATALOG

SECTION II
NUMERICAL INDEX

Part Number	Figure & Index Number	Part Number	Figure & Index Number	Part Number	Figure & Index Number
7F10421-5	25- 2 - 35	7F10501-1	34- 4 -	7F10700-17	32-19 - 31
7F10421-51	25- 2 - 11	7F10501-11	34- 4 - 37	7F10700-19	32-19 - 35
7F10421-53	25- 2 - 12	7F10501-13	34- 4 - 34	7F10700-21	27-15 - 27 32-19 - 19 39- 5 - 3
7F10421-7	25- 2 - 13	7F10501-15	34- 4 - 33	7F10701-1	32-20 -
7F10422-5	25- 2 - 38	7F10501-17	34- 4 - 33	7F10702-1	32-19 -
7F10422-7	25- 2 - 39	7F10501-47	34- 4 - 29	7F10713-11	32-19 - 9
7F10423-11	25- 2 - 44	7F10501-49	34- 4 - 36	7F10902-1	77- 5 -
7F10424-15	25- 2 - 49	7F10501-51	34- 4 - 30	7F10903-1	34- 5 -
7F10425-11	25- 2 - 47	7F10501-53	34- 4 - 28	7F10903-3	34- 5 -
7F10425-12	25- 2 - 47	7F10501-55	34- 4 - 32	7F10907-1	12- 1 -
7F10430-1	25- 4 -	7F10510-1	34- 3 -	7F10907-15	12- 1 - 6
7F10431-1	25- 4 - 1	7F10510-11	34- 3 - 9	7F10907-3	12- 1 - 3
7F10431-15	25- 4 - 35	7F10510-15	34- 3 - 18	7F10907-5	12- 1 - 7
7F10431-17	25- 4 - 28	7F10510-17	34- 3 - 8	7F10907-7	12- 1 - 1
7F10431-19	25- 4 - 33	7F10510-19	34- 3 - 6	7F10908	53- 1 - 7
7F10431-21	25- 4 - 30	7F10510-21	34- 3 - 23	7F10908-5	33- 1 - 1
7F10431-23	25- 4 - 34	7F10510-23	34- 3 - 26	7F10908-6	33- 1 - 1
7F10431-25	25- 4 - 29	7F10510-25	34- 3 - 15	7F10910-1	25- 6 -
7F10431-27	25- 4 - 36	7F10513-23	30- 1 - 3	7F10910-3	25- 6 -
7F10431-29	25- 4 - 27	7F10513-9	34- 3 - 13	7F10911-1	34- 6 -
7F10431-3	25- 4 - 24	7F10514-11	34- 3 - 19	7F10914-11	33- 1 - 10
7F10431-31	25- 4 - 32	7F10612-5	53- 1 -109	7F10915-1	27-15 - 15
7F10431-33	25- 4 - 31	7F10612-7	23- 1 - 8	7F10915-21	27- 3 - 16
7F10431-35	25- 4 - 52	7F10615-11	53- 1 -105	7F10915-23	27-15 - 14
7F10431-5	25- 4 - 18	7F10616-1	23- 1 - 10 33- 4 - 7 33- 5 - 7	7F10915-25	27-15 - 16
7F10432-15	25- 4 - 44			7F10920-15	34-26 - 18
7F10432-16	25- 4 - 44	7F10616-17	33- 4 - 8 33- 5 - 6	7F10920-17	34-13 - 5 34-21 - 11
7F10432-3	25- 4 - 46				
7F10432-4	25- 4 - 46	7F10620-1	24- 1 -	7F10920-3	34- 7 - 5
7F10432-5	25- 4 - 37	7F10620-11	24- 1 - 3	7F10920-5	34- 7 - 14
7F10432-7	25- 4 - 42	7F10621-1	24- 1 - 1	7F10980-1	22- 1 -
7F10433-1	25- 4 - 40	7F10622-1	24- 1 - 5	7F10980-2	22- 1 -
7F10433-15	25- 4 - 38	7F10700-1	32-19 -	7F10980-53	22- 1 - 15 22- 3 -
7F10433-17	25- 4 - 25	7F10700-13	32-19 - 10		
7F10433-19	25- 4 - 13	7F10700-15	32-19 - 11	7F10981-1	22- 2 -

Part Number	Figure & Index Number	Part Number	Figure & Index Number	Part Number	Figure & Index Number
7F10981-2	22-2 -	7M1010-0211GD-4	32-16 - 3	7LM1015-11	32-10 - 5
7F10981-51	22-2 - 52	7M1010-0221GD-4	32-16 - 6	7LM1015-15	32-1 - 25
7F10981-52	22-2 - 52	7M1010-0231GD-4	32-16 - 6	7LM1015-15	32-10 - 72
7F10981-53	27-2 - 52	7M1010-0241GD-4	32-16 - 5	7LM1011-11	32-10 - 10
7F10981-54	22-2 - 34	7M1010-0251GD-4	32-16 - 3	7LM1011-11	32-10 - 14
7F10981-55	22-2 - 33	7M1010-0261GD-4	32-16 - 2	7LM1011-11	32-10 - 24
7F10981-56	22-2 - 30	7M1010-0271GD-4	32-16 - 4	7LM1011-11	32-10 - 29
7F10981-57	22-2 - 32	7M1010-0281GD-4	32-16 - 5	7LM1012-13	32-3 - 6
7F10982-1	22-2 -	7M1010-0291GD-4	32-17 - 19	7LM1012-13	32-10 - 34
7F10982-51	22-2 - 52	7M1010-0301GD-4	32-17 - 20	7LM1013-11	32-3 - 2
7F10982-52	22-2 - 52	7M1010-0311GD-4	32-15 - 2	7LM1013-12	32-3 - 2
7F10982-53	22-2 - 52	7M1010-0321GD-4	32-15 - 5	7LM1014-11	32-3 - 12
7F10982-54	22-2 - 34	7M1010-0331GD-4	32-16 - 4	7LM1014-11	32-3 - 7
7F10982-55	22-2 - 33	7M1010-0341GD-4	32-16 - 7	7LM1014-11	32-3 - 12
7F10982-56	22-2 - 30	7M1010-0351GD-4	32-16 - 4	7LM1014-11	32-3 - 12
7F10982-57	22-2 - 32	7M1010-0361GD-4	32-16 - 4	7LM1014-11	32-3 - 14
7F10982-58	22-2 - 30	7M1010-0371GD-4	32-16 - 4	7LM1015-1	32-10 - 57
7F10982-59	22-2 - 33	7M1010-0381GD-4	32-16 - 7	7LM1015-11	32-10 - 54
7F10982-60	22-2 - 30	7M1010-0391GD-4	32-16 - 7	7LM1021-13	32-6 - 50
7F10982-61	22-2 - 32	7M1010-0401GD-4	32-12 -	7LM1021-3	32-6 - 47
7F10982-62	22-2 - 32	7M1010-0411GD-4	32-15 -	7LM1021-13	32-1 - 5
7F10982-63	32-12 - 1	7M1010-0421GD-4	32-16 -	7LM1021-3	32-8 - 31
7F10982-64	32-12 - 7	7M1010-0431GD-4	32-12 - 3	7LM1021-3	32-8 - 29
7F10982-65	32-12 - 18	7M1010-0441GD-4	32-12 - 3	7LM1021-3	32-8 - 30
7F10982-66	32-12 - 8	7M1010-0451GD-4	32-13 -	7LM1021-3	32-6 - 19
7F10982-67	32-12 - 31	7M1010-0461GD-4	32-12 - 22	7LM1021-3	32-6 - 13
7F10982-68	32-12 - 9	7M1010-0471GD-4	32-12 - 10	7LM1021-3	32-6 - 27
7F10982-69	32-12 - 31	7M1010-0481GD-4	32-14 - 9	7LM1021-3	32-6 - 13
7F10982-70	32-12 - 32	7M1010-0491GD-4	32-13 - 6	7LM1021-3	32-1 - 22
7F10982-71	32-15 - 9	7M1010-0501GD-4	80-1 - 4	7LM1021-3	32-6 - 6
7F10982-72	32-15 - 10	7M1010-0511GD-4	80-1 - 4	7LM1021-3	32-6 - 6
7F10982-73	32-15 - 12	7M1010-0521GD-4	32-11 - 61	7LM1021-3	32-11 - 45
7F10982-74	32-15 - 13	7M1010-0531GD-4	32-11 - 56	7LM1021-3	32-11 - 45
7F10982-75	32-15 - 18	7M1010-0541GD-4	32-10 - 1	7LM1022-3	32-6 - 39
7F10982-76	32-15 - 14	7M1010-0551GD-4	32-10 - 36	7LM1022-3	32-11 - 47
7F10982-77	32-15 - 19	7M1010-0561GD-4	32-11 - 59	7LM1022-3	32-8 - 19
7F10982-78	32-15 - 15	7M1010-0571GD-4	32-11 - 60	7LM1022-3	32-11 - 40

32-4-4	711234-1	32-1-19	7LM10286-11	32-0-14	7LM10226-13
32-4-2	7110235-1	32-1-12	7LM10287-11	32-9-15	7LM10227-11
32-4-31	7110236-1	32-5-12	7LM10288-11	32-8-22	7LM10228-11
32-4-62	7110237-1	32-1-14	7LM10293-11	32-11-31	7LM10229-11
32-4-65	7110238-1	32-5-9	7LM10294-11	32-8-10	7LM10230-13
32-4-19	7110239-1	32-5-15	7LM10295-11	32-11-25	7LM10231-11
32-4-65	7110240-1	32-5-15	7LM10296-11	32-9-10	7LM10232-5
32-4-19	7110241-1	32-5-9	7LM10297-11	32-11-19	7LM10233-11
32-4-65	7110242-1	32-11-45	7LM10298-11	32-9-6	7LM10234-3
32-4-19	7110243-2	32-11-45	7LM10299-11	32-11-19	7LM10235-11
32-4-65	7110244-1	32-11-47	7LM10300-1	32-11-27	7LM10236-11
32-4-17	7110245-1	32-11-47	7LM10301-3	32-9-9	7LM10237-11
32-4-65	7110246-1	32-11-47	7LM10302-2	32-11-23	7LM10238-13
32-4-19	7110247-1	32-11-47	7LM10303-3	32-11-23	7LM10239-11
32-4-65	7110248-1	32-11-47	7LM10304-3	32-11-11	7LM10240-3
32-4-19	7110249-1	32-11-111	7LM10305-3	32-3-11	7LM10241-13
32-4-62	7110250-1	32-10-111	7LM10306-3	32-3-16	7LM10242-11
32-4-43	7110251-1	32-10-111	7LM10307-12	32-3-16	7LM10243-11
32-4-62	7110252-1	32-10-2	7LM10308-13	32-3-20	7LM10244-11
32-4-24	7110253-1	32-10-2	7LM10309-3	32-7-3	7LM10245-11
32-4-16	7110254-1	32-10-2	7LM10310-3	32-7-12	7LM10246-11
32-4-65	7110255-1	32-10-33	7LM10311-3	32-7-12	7LM10247-11
32-4-41	7110256-3	32-1-8	7LM10312-11	32-7-20	7LM10248-11
32-4-65	7110257-3	32-3-3	7LM10313-13	32-7-14	7LM10249-11
32-4-32	7110258-1	32-10-35	7LM10314-11	32-7-30	7LM10250-13
32-4-32	7110259-1	32-10-35	7LM10315-13	32-2-28	7LM10251-11
32-4-11	7110260-1	32-1-1	7LM10316-3	32-2-27	7LM10252-11
32-4-65	7110261-1	32-1-1	7LM10317-1	32-2-28	7LM10253-11
32-4-16	7110262-1	32-1-18	7LM10318-11	32-2-11	7LM10254-11
32-4-24	7110263-1	32-1-18	7LM10319-1	32-2-18	7LM10255-11
32-4-62	7110264-1	32-1-33	7LM10320-3	32-2-8	7LM10256-11
32-4-19	7110265-1	32-1-33	7LM10321-1	32-2-6	7LM10257-11
32-4-62	7110266-1	32-1-33	7LM10322-11	32-2-3	7LM10258-11
32-4-19	7110267-1	32-1-33	7LM10323-4	32-2-17	7LM10259-11
32-4-62	7110268-1	32-1-33	7LM10324-1	32-2-27	7LM10260-11
32-4-19	7110269-1	32-1-33	7LM10325-3	32-2-28	7LM10261-11
32-4-62	7110270-1	32-1-33	7LM10326-11	32-2-28	7LM10262-11
32-4-19	7110271-1	32-1-33	7LM10327-11	32-2-28	7LM10263-11
32-4-62	7110272-1	32-1-33	7LM10328-11	32-2-28	7LM10264-11
32-4-19	7110273-1	32-1-33	7LM10329-11	32-2-28	7LM10265-11
32-4-62	7110274-1	32-1-33	7LM10330-1	32-2-28	7LM10266-11
32-4-19	7110275-1	32-1-33	7LM10331-11	32-2-28	7LM10267-11
32-4-62	7110276-1	32-1-33	7LM10332-11	32-2-28	7LM10268-11
32-4-19	7110277-1	32-1-33	7LM10333-11	32-2-28	7LM10269-11
32-4-62	7110278-1	32-1-33	7LM10334-11	32-2-28	7LM10270-11
32-4-19	7110279-1	32-1-33	7LM10335-11	32-2-28	7LM10271-11
32-4-62	7110280-1	32-1-33	7LM10336-11	32-2-28	7LM10272-11
32-4-19	7110281-1	32-1-33	7LM10337-11	32-2-28	7LM10273-11
32-4-62	7110282-1	32-1-33	7LM10338-11	32-2-28	7LM10274-11
32-4-19	7110283-1	32-1-33	7LM10339-11	32-2-28	7LM10275-11
32-4-62	7110284-1	32-1-33	7LM10340-1	32-2-28	7LM10276-11
32-4-19	7110285-1	32-1-33	7LM10341-1	32-2-28	7LM10277-11
32-4-62	7110286-1	32-1-33	7LM10342-1	32-2-28	7LM10278-11
32-4-19	7110287-1	32-1-33	7LM10343-1	32-2-28	7LM10279-11
32-4-62	7110288-1	32-1-33	7LM10344-1	32-2-28	7LM10280-11
32-4-19	7110289-1	32-1-33	7LM10345-1	32-2-28	7LM10281-11
32-4-62	7110290-1	32-1-33	7LM10346-1	32-2-28	7LM10282-11
32-4-19	7110291-1	32-1-33	7LM10347-1	32-2-28	7LM10283-11
32-4-62	7110292-1	32-1-33	7LM10348-1	32-2-28	7LM10284-11
32-4-19	7110293-1	32-1-33	7LM10349-1	32-2-28	7LM10285-11
32-4-62	7110294-1	32-1-33	7LM10350-1	32-2-28	7LM10286-11
32-4-19	7110295-1	32-1-33	7LM10351-1	32-2-28	7LM10287-11
32-4-62	7110296-1	32-1-33	7LM10352-1	32-2-28	7LM10288-11
32-4-19	7110297-1	32-1-33	7LM10353-1	32-2-28	7LM10289-11
32-4-62	7110298-1	32-1-33	7LM10354-1	32-2-28	7LM10290-11
32-4-19	7110299-1	32-1-33	7LM10355-1	32-2-28	7LM10291-11
32-4-62	7110300-1	32-1-33	7LM10356-1	32-2-28	7LM10292-11
32-4-19	7110301-1	32-1-33	7LM10357-1	32-2-28	7LM10293-11
32-4-62	7110302-1	32-1-33	7LM10358-1	32-2-28	7LM10294-11
32-4-19	7110303-1	32-1-33	7LM10359-1	32-2-28	7LM10295-11
32-4-62	7110304-1	32-1-33	7LM10360-1	32-2-28	7LM10296-11
32-4-19	7110305-1	32-1-33	7LM10361-1	32-2-28	7LM10297-11
32-4-62	7110306-1	32-1-33	7LM10362-1	32-2-28	7LM10298-11
32-4-19	7110307-1	32-1-33	7LM10363-1	32-2-28	7LM10299-11
32-4-62	7110308-1	32-1-33	7LM10364-1	32-2-28	7LM10300-1
32-4-19	7110309-1	32-1-33	7LM10365-1	32-2-28	7LM10301-1
32-4-62	7110310-1	32-1-33	7LM10366-1	32-2-28	7LM10302-1
32-4-19	7110311-1	32-1-33	7LM10367-1	32-2-28	7LM10303-1
32-4-62	7110312-1	32-1-33	7LM10368-1	32-2-28	7LM10304-1
32-4-19	7110313-1	32-1-33	7LM10369-1	32-2-28	7LM10305-1
32-4-62	7110314-1	32-1-33	7LM10370-1	32-2-28	7LM10306-1
32-4-19	7110315-1	32-1-33	7LM10371-1	32-2-28	7LM10307-1
32-4-62	7110316-1	32-1-33	7LM10372-1	32-2-28	7LM10308-1
32-4-19	7110317-1	32-1-33	7LM10373-1	32-2-28	7LM10309-1
32-4-62	7110318-1	32-1-33	7LM10374-1	32-2-28	7LM10310-1
32-4-19	7110319-1	32-1-33	7LM10375-1	32-2-28	7LM10311-1
32-4-62	7110320-1	32-1-33	7LM10376-1	32-2-28	7LM10312-1
32-4-19	7110321-1	32-1-33	7LM10377-1	32-2-28	7LM10313-1
32-4-62	7110322-1	32-1-33	7LM10378-1	32-2-28	7LM10314-1
32-4-19	7110323-1	32-1-33	7LM10379-1	32-2-28	7LM10315-1
32-4-62	7110324-1	32-1-33	7LM10380-1	32-2-28	7LM10316-1
32-4-19	7110325-1	32-1-33	7LM10381-1	32-2-28	7LM10317-1
32-4-62	7110326-1	32-1-33	7LM10382-1	32-2-28	7LM10318-1
32-4-19	7110327-1	32-1-33	7LM10383-1	32-2-28	7LM10319-1
32-4-62	7110328-1	32-1-33	7LM10384-1	32-2-28	7LM10320-1
32-4-19	7110329-1	32-1-33	7LM10385-1	32-2-28	7LM10321-1
32-4-62	7110330-1	32-1-33	7LM10386-1	32-2-28	7LM10322-1
32-4-19	7110331-1	32-1-33	7LM10387-1	32-2-28	7LM10323-1
32-4-62	7110332-1	32-1-33	7LM10388-1	32-2-28	7LM10324-1
32-4-19	7110333-1	32-1-33	7LM10389-1	32-2-28	7LM10325-1
32-4-62	7110334-1	32-1-33	7LM10390-1	32-2-28	7LM10326-1
32-4-19	7110335-1	32-1-33	7LM10391-1	32-2-28	7LM10327-1
32-4-62	7110336-1	32-1-33	7LM10392-1	32-2-28	7LM10328-1
32-4-19	7110337-1	32-1-33	7LM10393-1	32-2-28	7LM10329-1
32-4-62	7110338-1	32-1-33	7LM10394-1	32-2-28	7LM10330-1
32-4-19	7110339-1	32-1-33	7LM10395-1	32-2-28	7LM10331-1
32-4-62	7110340-1	32-1-33	7LM10396-1	32-2-28	7LM10332-1
32-4-19	7110341-1	32-1-33	7LM10397-1	32-2-28	7LM10333-1
32-4-62	7110342-1	32-1-33	7LM10398-1	32-2-28	7LM10334-1
32-4-19	7110343-1	32-1-33	7LM10399-1	32-2-28	7LM10335-1
32-4-62	7110344-1	32-1-33	7LM10400-1	32-2-28	7LM10336-1
32-4-19	7110345-1	32-1-33	7LM10401-1	32-2-28	7LM10337-1
32-4-62	7110346-1	32-1-33	7LM10402-1	32-2-28	7LM10338-1
32-4-19	7110347-1	32-1-33	7LM10403-1	32-2-28	7LM10339-1
32-4-62	7110348-1	32-1-33	7LM10404-1	32-2-28	7LM10340-1
32-4-19	7110349-1	32-1-33	7LM10405-1	32-2-28	7LM10341-1
32-4-62	7110350-1	32-1-33	7LM10406-1	32-2-28	7LM10342-1
32-4-19	7110351-1	32-1-33	7LM10407-1	32-2-28	7LM10343-1
32-4-62	7110352-1	32-1-33	7LM10408-1	32-2-28	7LM10344-1
32-4-19	7110353-1	32-1-33	7LM10409-1	32-2-28	7LM10345-1
32-4-62	7110354-1	32-1-33	7LM10410-1	32-2-28	7LM10346-1
32-4-19	7110355-1	32-1-33	7LM10411-1	32-2-28	7LM10347-1
32-4-62	7110356-1	32-1-33	7LM10412-1	32-2-28	7LM10348-1
32-4-19	7110357-1	32-1-33	7LM10413-1	32-2-28	7LM10349-1
32-4-62	7110358-1	32-1-33	7LM10414-1	32-2-28	7LM10350-1
32-4-19	7110359-1	32-1-33	7LM10415-1	32-2-28	7LM10351-1
32-4-62	7110360-1	32-1-33	7LM10416-1	32-2-28	7LM10352-1
32-4-19	7110361-1	32-1-33	7LM10417-1	32-2-28	7LM10353-1
32-4-62	7110362-1	32-1-33	7LM10418-1	32-2-28	7LM10354-1
32-4-19	7110363-1	32-1-33	7LM10419-1	32-2-28	7LM10355-1
32-4-62	7110364-1	32-1-33	7LM10420-1	32-2-28	7LM10356-1
32-4-19	7110365-1	32-1-33	7LM10421-1	32-2-28	7LM10357-1
32-4-62	7110366-1	32-1-33	7LM10422-1	32-2-28	7LM10358-1
32-4-19	7110367-1	32-1-33	7LM10423-1	32-2-28	7LM

Part Number	Figure & Index Number	Part Number	Figure & Index Number	Part Number	Figure & Index Number
75CF015-1	77-4-5	7M10239-15	57-1-54	7M10701-16	33-1-1
75CF017-1	28-1-7	7M10239-13	57-1-2	7M10701-19	57-1-21
75CF018-1	28-1-7	7M10250-1	37-21-	7M10701-3	57-1-27
75CF019	70-3-7	7M10250-2	37-21-	7M10701-4	57-1-23
7M10302-11	57-1-59	7M10250-23	32-21-21	7090	34-3-3
7M10302-13	57-1-59	7M10250-29	32-21-5	710007-17	71-7-1
7M10302-15	57-1-59	7M10250-3	32-21-15	71233-0101	24-13-4
7M10303-11	57-1-71	7M10250-4	32-21-15	7208-1137	23-1-11
7M1000-11	57-1-25	7M10400-2	57-1-28	722	24-0-10
7M1000-12	57-1-25	7M10404-15	57-1-31	73	24-2-49
7M1000-13	57-1-2	7M10417-17	57-1-37	75246	24-1-3
7M1020-1	57-1-44	7M10501-17	57-1-6	771-4	77-3-4
7M1020-1	57-1-58	7M10501-4	57-1-4	802746-503	34-13-1
7M1020-2	57-1-44	7M10501-18	57-1-6	803007-29	11-1-5
7M1020-2	57-1-47	7M10502-12	57-1-12	803007-27	11-1-5
7M1020-2	57-1-44	7M10502-11	57-1-12	803009-1	11-1-10
7M1020-2	57-1-47	7M10502-12	57-1-17	803009-5	11-1-10
7M1020-2	57-1-44	7M10503-11	57-1-9	803009-6	11-1-10
7M1020-2	57-1-47	7M10503-12	57-1-8	803009-9	11-1-10
7M1020-2	57-1-44	7M10504-11	57-1-10	804039-502	21-1-2
7M1020-2	57-1-47	7M10504-12	57-1-10	8041K9	33-4-4
7M1020-2	57-1-44	7M10604-1	57-1-63	810332	33-5-4
7M1020-2	57-1-47	7M10604-19	57-1-64	81307-0121	27-4-12
7M1020-2	57-1-44	7M10604-31	57-1-69	81312-0021	23-6-4
7M1020-2	57-1-47	7M10604-32	57-1-69	82-5375	23-6-6
7M1020-2	57-1-44	7M10701-1	57-1-16	82175-1	23-6-6
7M1020-2	57-1-47	7M10701-15	33-1-1	82175-2	28-1-11
7M1020-2	57-1-44	7M10701-18	57-1-18	82986-1002	23-6-5
7M1020-2	57-1-47	87987-0001	57-1-18		23-6-3

SECTION II
NUMERICAL INDEX

BRUMMAN AMERICAN AVIATION
GA-7/COUGAR
ILLUSTRATED PARTS CATALOG

SECTION II
NUMERICAL INDEX

Part Number	Figure & Index Number	Part Number	Figure & Index Number	Part Number	Figure & Index Number
8441F-402P	22-14 - 13				
8781-2	24- 1 - 24 24- 3 - 13				
89-2198-22	34-24 - 10				
8994656	71- 9 - 13				
8994657	71- 9 - 13				
9-2605-2	22- 2 - 7				
9-3612-11	22- 7 - 16				
911233	22- 1 - 27				
911334-522	74- 2 - 11				
911343-524	27-15 - 1				
911362-1	27- 1 - 16				
90687-2101	34-13 - 1				
91024-1	21- 3 - 21 23- 1 - 2 34-15 - 8				

GRUMMAN AMERICAN AVIATION
GA-7/CUGAR
ILLUSTRATED PARTS CATALOG

CHAPTER 11

PLACARDS AND MARKINGS

TABLE OF CONTENTS

<u>SUBJECT</u>	<u>FIGURE NUMBER</u>
EXTERIOR PLACARDS AND DECALS	11-1
INTERIOR PLACARDS	11-2

GRUMMAN AMERICAN AVIATION
GA-7/COUGAR
ILLUSTRATED PARTS CATALOG

1

GRUMMAN AMERICAN AVIATION CORPORATION
 SAVANNAH, GA.
 PART NO. _____
 SERIAL NO. _____
 MODEL _____ DATE _____
CAUTION
 FLUID UNDER PRESSURE
 READ INSTRUCTIONS IN
 SERVICE MANUAL PRIOR
 TO SERVICING

2

SERVICING INSTRUCTIONS

1. RELEASE AIR PRESSURE
2. CLOSE AIR VALVE
3. REMOVE FILL VALVE
4. EXTEND STRUT-HOLD VERT
5. FILL TO OVERFLOW WITH MIL-H-5606 HYD FLUID
6. FULLY COMPRESS STRUT TO REMOVE EXCESS OIL
7. REPLACE FILL VALVE
8. WITH NO LOAD ON STRUT INFLATE WITH NITROGEN OR CLEAN AIR TO -
 _____ PSIG TIRE PRESS _____ PSIG

3

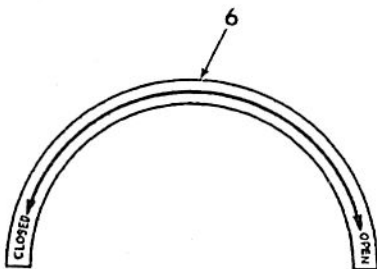
GRUMMAN AMERICAN AVIATION CORPORATION
 P O BOX 2208, SAVANNAH, GEORGIA 31402
 MODEL NO. _____
 SERIAL NO. _____
 TYPE CERT NO. _____
 PROD CERT NO. _____

4

DO NOT PAINT
 VANE OR SLOT

5

NO STEP



7

OIL CAPACITY 8 QTS	
TEMPERATURE	GRADE
ABOVE 60°F (16°C)	SAE 50
30°F (-1°C) TO 90°F (32°C)	SAE 40
0°F (-18°C) TO 70°F (21°C)	SAE 30
BELOW 10°F (-12°C)	SAE 20



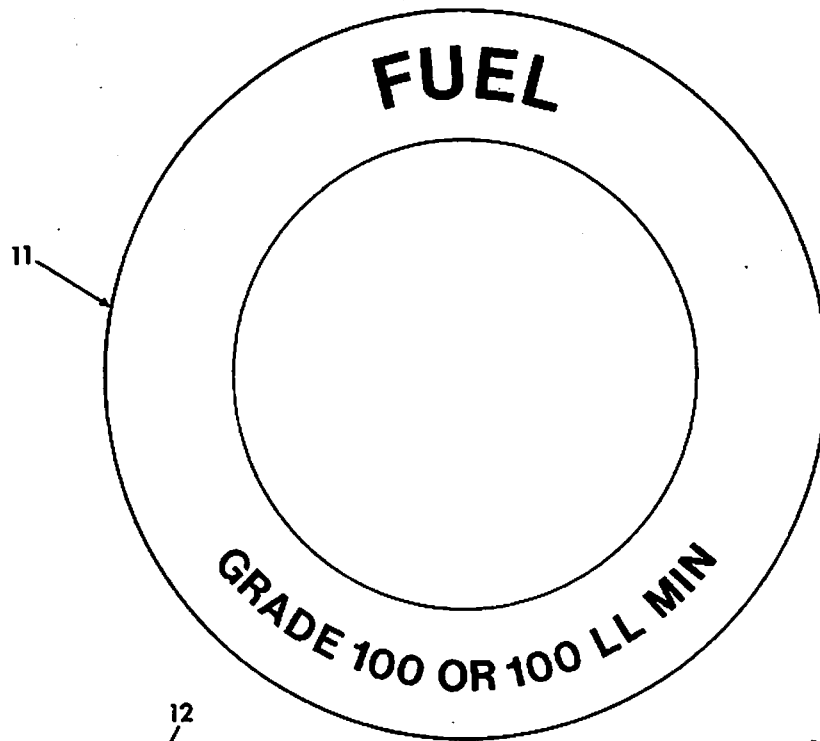
9

CAUTION: 12 VOLT DC ONLY
 MASTER SW MUST BE ON
 PRIOR TO STARTING ENGINE

Exterior Placards and Details
 Figure 11-1 (Sheet 1 of 2)

11G74-01-1

10 **GRUMMAN AMERICAN**



12

MAX & BAG COMPARTMENT
CAPACITY 75 LBS
FOR ADDITIONAL LOADING
INSTRUCTIONS SEE WEIGHT &
BALANCE DATA. NET MUST
BE USED TO RESTRAIN
BAGGAGE FROM SHIFTING

13

AUX POWER

A rectangular box containing the text "AUX POWER" and a downward-pointing arrow.

14

BOARDING LIGHT
PUSH ON - OFF

15

RT. ENG. START LT. ENG. START CAB & MAP LTS. CLOCK & HR MTR.

Exterior Placards and Details
Figure 11-1 (Sheet 2 of 2)

11074-01-2

GRUMMAN AMERICAN AVIATION
GA-7/COUGAR
ILLUSTRATED PARTS CATALOG

Figure & Index No.	Part Number	Nomenclature							Units Per Assy	Usable On Code
		1	2	3	4	5	6	7		
11- 1 -	NO NUMBER	EXTERIOR PLACARDS AND DECALS.....							NP	
- 1	7L10244-11	.LANDING GEAR SERIAL.....							3	
- 2	7L10289-11	.LANDING GEAR SERVICING.....							3	
- 3	5803005-2	.IDENTIFICATION.....							1	
- 4	5803007-78	.STALL SWITCH.....							2	
- 5	803007-27	.NO STEP (WHITE).....							AR	
	803007-29	.NO STEP (BLACK).....							AR	
- 6	7F10038-53	.DOOR LATCH.....							1	
- 7	7F10038-45	.OIL CAPACITY.....							2	
- 8	7F10057-11	.COUGAR (LH).....							1	
	7F10057-13	.COUGAR (RH).....							1	
- 9	7F10038-13	.EXTERNAL POWER.....							1	
- 10	803009-1	.GRUMMAN AMERICAN (LH-WHITE).....							1	
	803009-2	.GRUMMAN AMERICAN (RH-WHITE).....							1	
	803009-5	.GRUMMAN AMERICAN (LH-BLACK).....							1	
	803009-6	.GRUMMAN AMERICAN (RH-BLACK).....							1	
- 11	7F10038-89	.FUEL OCTANE.....							2	
- 12	7F10038-39	.BAGGAGE CAPACITY,NOSE COMPARTMENT.....							1	
- 13	7F10038-99	.AUXILIARY POWER.....							1	
- 14	7F10038-95	.BOARDING LIGHT.....							1	
- 15	7F10038-91	.FUSES.....							1	

GRUMMAN AMERICAN AVIATION
GA-7/COUGAR
ILLUSTRATED PARTS CATALOG

BAGGAGE COMPARTMENT CAPACITY
200 LBS MAX

 FOR ADDITIONAL LOADING INSTRUCTIONS
 SEE WEIGHT & BALANCE DATA &
 PILOTS OPERATING HANDBOOK

 NO HEAVY OBJECTS ON HAT SHELF

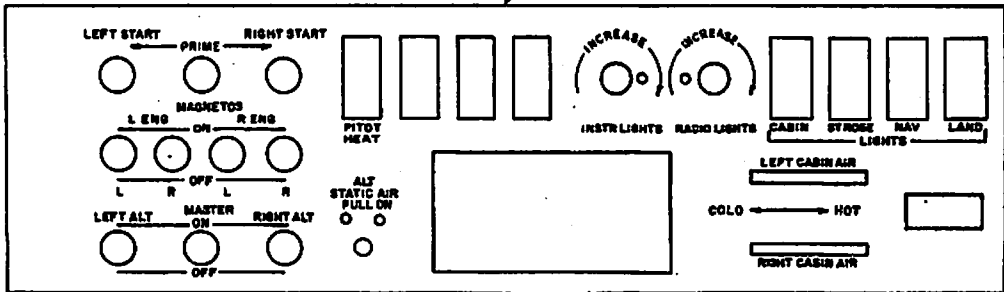
340 LBS MAX CARGO CAPACITY
 DISTRIBUTE LOAD EVENLY. MAX
 DESIGN LOADING 37 LBS/FT²
 NO PASSENGERS. FOR ADDITIONAL
 LOADING INSTRUCTIONS SEE WEIGHT &
 BALANCE DATA & PILOTS OPERATING
 HANDBOOK.

PARKING BRAKE OPERATION:
 TO APPLY BRAKES, DEPRESS RUDDER
 PEDALS AND PULL HANDLE.
 TO RELEASE, DEPRESS RUDDER
 PEDALS AND PUSH HANDLE.

WARNING: TO AVOID DAMAGE,
 LATCH HANDLE MUST BE IN
 OPEN POSITION BEFORE
 CLOSING DOOR

**MAX CHILD SEAT
 CAPACITY 120 LBS**

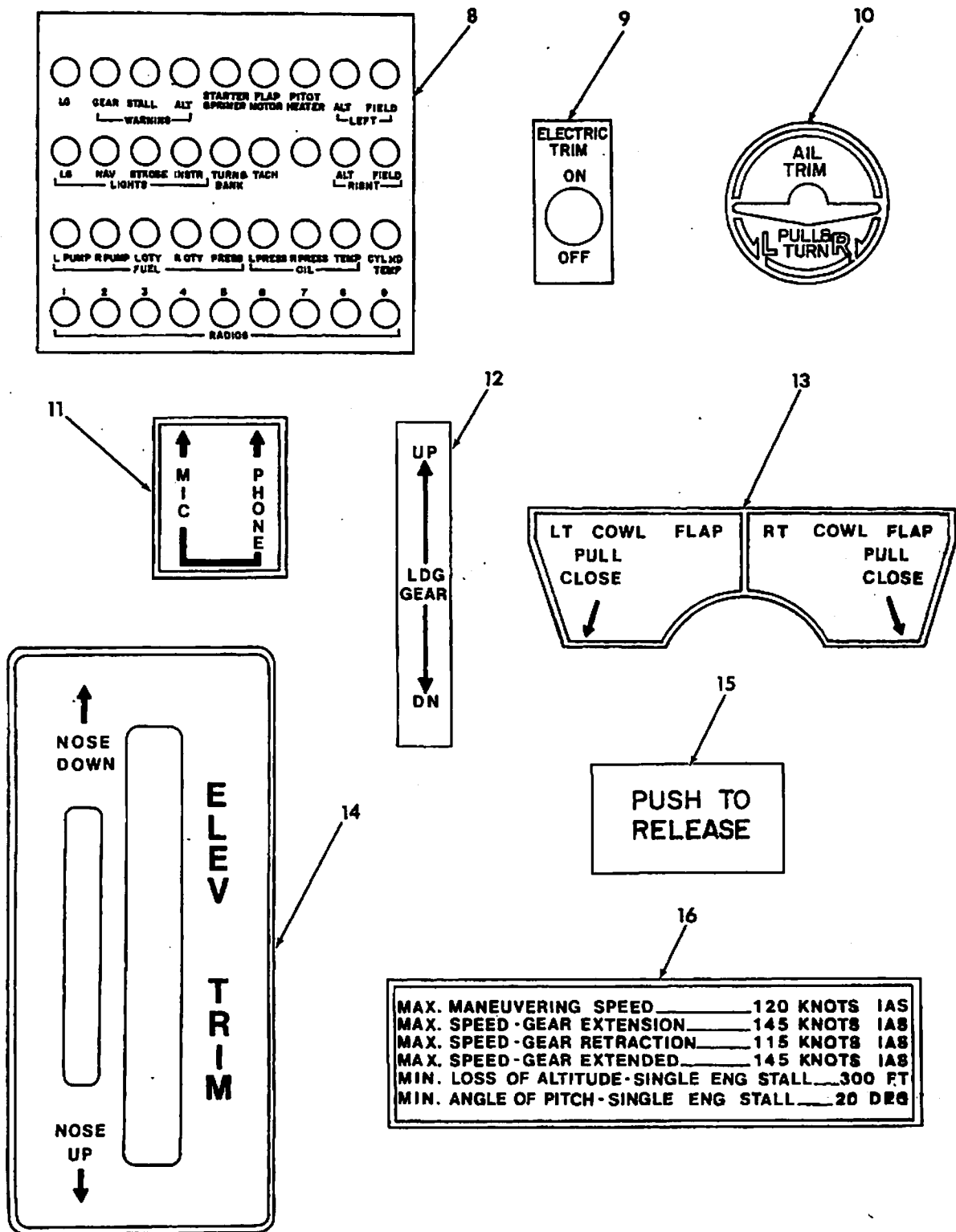
**LDG GEAR
 EMERGENCY**
 —DOWN—
PULL KNOB ↓



Interior Placards
 Figure 11-2 (Sheet 1 of 4)

11G74-02-1

GRUMMAN AMERICAN AVIATION
GA-7/COUGAR
ILLUSTRATED PARTS CATALOG



Interior Placards
 Figure 11-2 (Sheet 2 of 4)

11G74-02-2

GRUMMAN AMERICAN AVIATION
GA-7/COUGAR
ILLUSTRATED PARTS CATALOG

17

THE MARKINGS AND PLACARDS IN THIS AIRPLANE CONTAIN OPERATING LIMITATIONS WHICH MUST BE COMPLIED WITH WHEN OPERATING THIS AIRPLANE IN THE NORMAL CATEGORY. OTHER OPERATING LIMITATIONS WHICH MUST BE COMPLIED WITH WHEN OPERATING THIS AIRPLANE IN THIS CATEGORY ARE CONTAINED IN THE AIRPLANE FLIGHT MANUAL.

THIS AIRPLANE IS APPROVED FOR VFR, IFR, DAY AND NIGHT WHEN EQUIPPED IN ACCORDANCE WITH FAR 91.

THIS AIRPLANE IS NOT APPROVED FOR FLIGHT INTO KNOWN ICING CONDITIONS

18

PRESS
 TO
 TEST

19

LEFT
 TANK

AUX
 FUEL
 PUMPS

RIGHT
 TANK

20

NO ACROBATIC MANEUVERS (INCLUDING SPINS) APPROVED

21

TURN OFF STROBE IN CLOUD, FOG OR HAZE.
 TAXI WITH STROBE OFF.

22

VENT
 PULL-OPEN

23

UP
 FLAPS
 DN

24

EMERGENCY EXIT

OPEN CLOSE

1. ROTATE UPPER LEVER TO OPEN
 2. PULL LOWER HANDLE IN THEN UP

25

LEFT ENGINE RIGHT ENGINE

USABLE FUEL CAP.
 ← 57 GAL. EACH TANK →

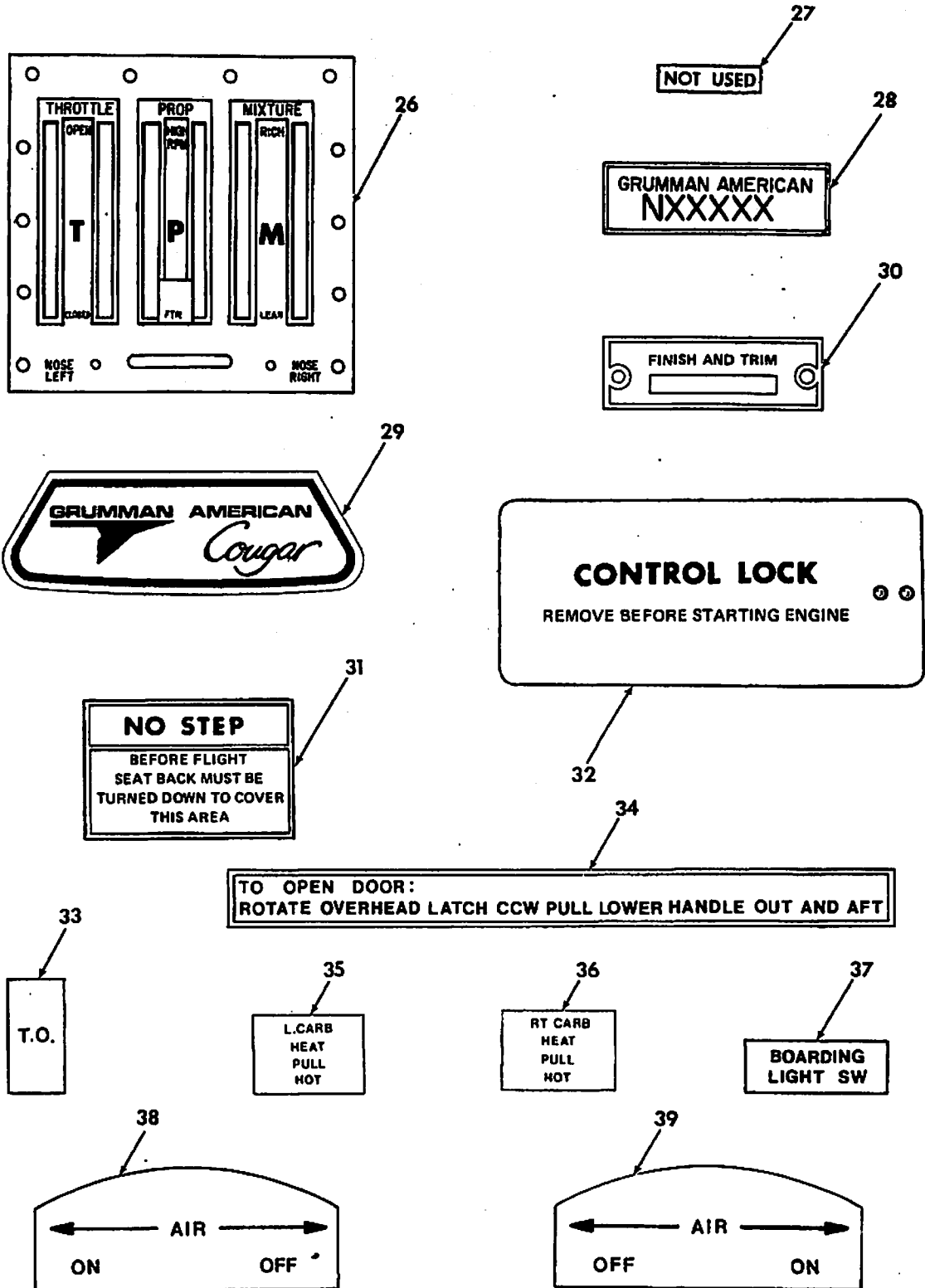
PUSH TO SELECT OFF CROSS FEED PUSH TO SELECT OFF

OFF OFF

Interior Placards
 Figure 11-2 (Sheet 3 of 4)

11074-02-3

GRUMMAN AMERICAN AVIATION
GA-7/COUGAR
ILLUSTRATED PARTS CATALOG



Interior Placards
 Figure 11-2 (Sheet 4 of 4)

11G74-02-4

GRUMMAN AMERICAN AVIATION
GA-7/COUGAR
ILLUSTRATED PARTS CATALOG

Figure & Index No.	Part Number	Nomenclature							Units Per Assy	Usable On Code
		1	2	3	4	5	6	7		
11- 2 -	NO NUMBER								NP	
- 1	7F10038-49								1	
- 2	7F10038-51								1	
- 3	7F10038-47								1	
- 4	7F10038-35								1	
- 5	7F10038-55								1	
- 6	7F10038-71								1	
- 7	7F10038-85								1	
- 8	7F10038-79								1	
- 9	7F10038-41								1	
- 10	7F10038-31								1	
- 11	7F10038-59								1	
- 12	7F10038-81								1	
- 13	7F10038-105								1	
- 14	7F10038-61								1	
- 15	7F10038-11								1	
- 16	7F10038-77								1	
- 17	7F10038-73								1	
- 18	7F10038-69								1	
- 19	7F10038-75								1	
- 20	7F10038-83								1	
- 21	5803007-109								1	
- 22	5803007-106								1	
- 23	5803007-86								1	
- 24	7B10921-19								1	
- 25	7F10315-15								1	
- 26	7F10039-13								1	
- 27	5803007-91								AR	
- 28	5803013-1								1	
- 29	7FC10713-11								2	
- 30	803007-18								1	
- 31	5803007-26								1	
- 32	602111-1								1	
- 33	7F10038-87								1	
- 34	7F10038-93								1	
- 35	7F10038-101								1	
- 36	7F10038-103								1	
- 37	7F10038-97								1	
- 38	7F10038-107								1	
- 39	7F10038-108								1	

GRUMMAN AMERICAN AVIATION
GA-7/COUGAR
ILLUSTRATED PARTS CATALOG

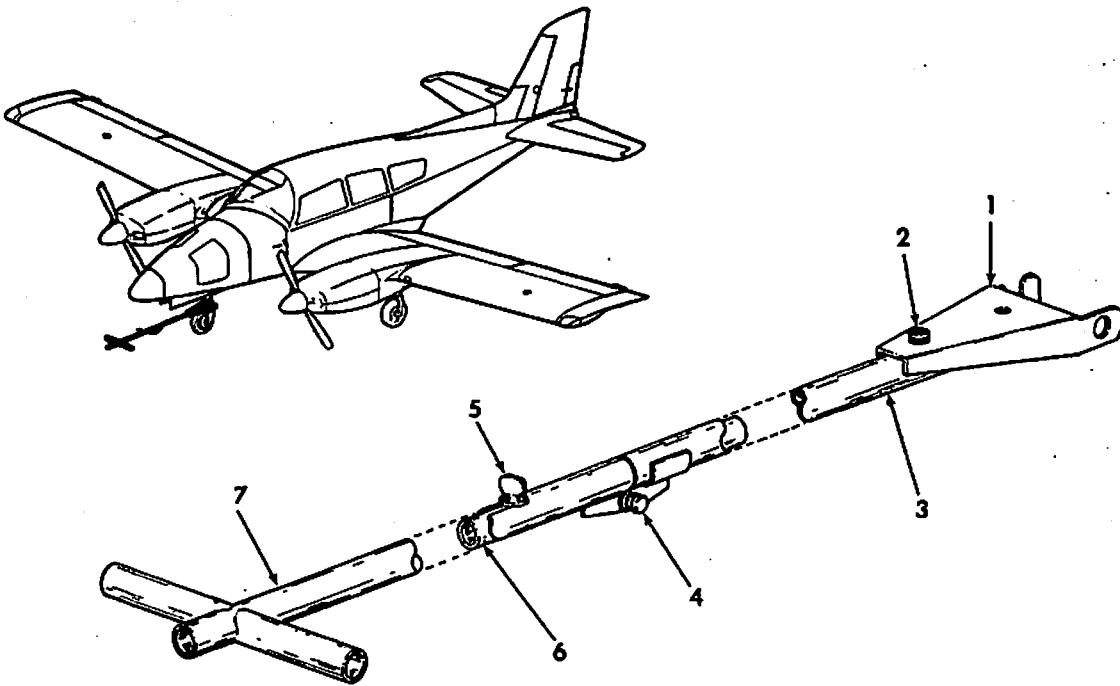
CHAPTER 12

SERVICING AND SUPPORT EQUIPMENT

TABLE OF CONTENTS

<u>SUBJECT</u>	<u>FIGURE NUMBER</u>
TOW BAR ASSEMBLY (OPTIONAL)	12-1
FITTINGS AND ACCESSORIES	12-2

GRUMMAN AMERICAN AVIATION
GA-7/COUGAR
ILLUSTRATED PARTS CATALOG



Tow Bar Assembly (Optional)
Figure 12-1

12674-01

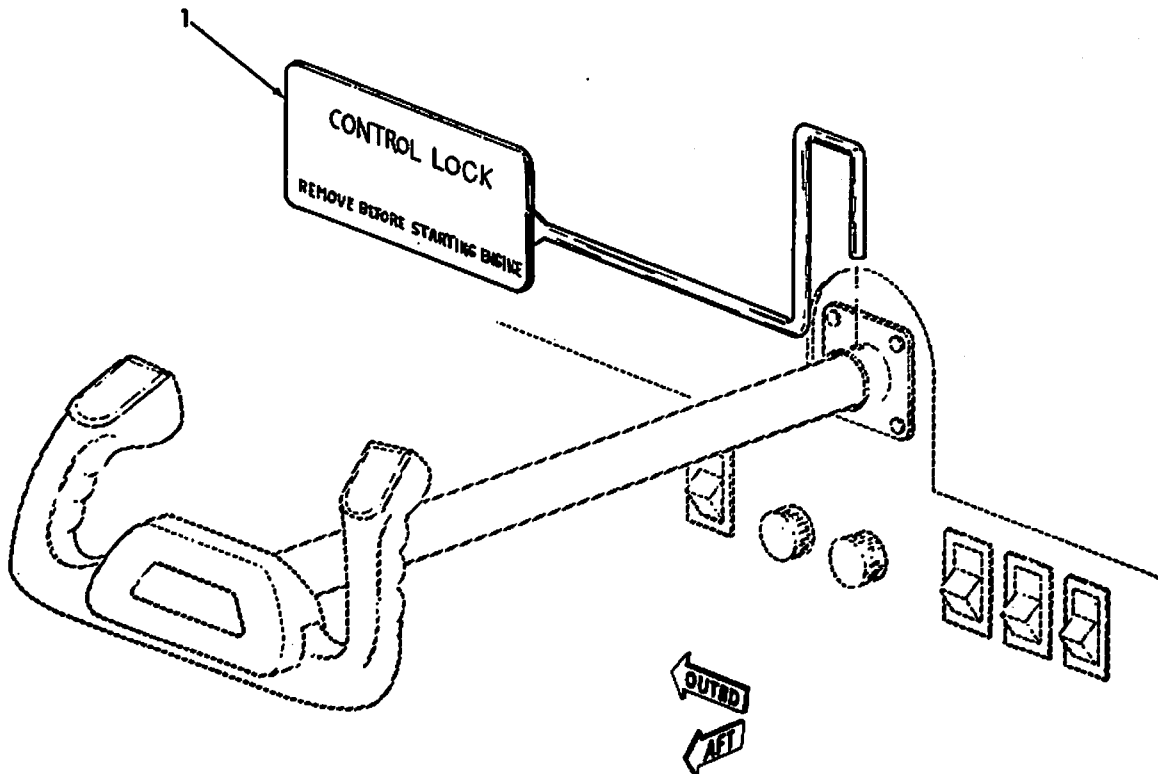
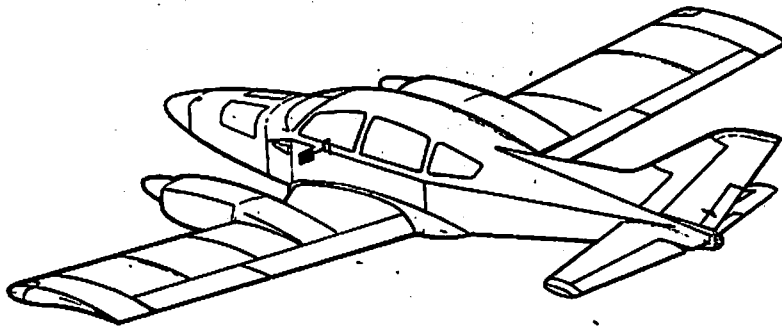
GRUMMAN AMERICAN AVIATION

GA-7/COUGAR

ILLUSTRATED PARTS CATALOG

Figure & Index No.	Part Number	Nomenclature							Units Per Assy	Usable On Code
		1	2	3	4	5	6	7		
12- 1 - - 1 - 2 - 3 - 4 - 5 - 6 - 7	7F10907-1	TOW BAR ASSEMBLY (OPTIONAL).....							1	
	7F10907-7	.PLATE ASSY.....							1	
		(ATTACHING PARTS)								
	MS27039-1-29	.SCREW, MACHINE.....							2	
	AN960-10	.WASHER, FLAT.....							2	
	MS21083N3	.NUT, SELF-LOCKING.....							2	
		-----*								
	7F10907-3	.TUBE ASSY, HANDLE.....							1	
		(ATTACHING PARTS)								
	MS27039-1-13	.SCREW, MACHINE.....							1	
	AN960-10	.WASHER, FLAT.....							3	
	MS21083N3	.NUT, SELF-LOCKING.....							1	
		-----*								
	NAS1300-3T-8	.THUMBSCREW.....							1	
	7F10907-15	.TUBE, SLIDE.....							1	
	7F10907-5	.TUBE ASSY, HANDLE.....							1	

BRUMMAN AMERICAN AVIATION
GA-7/COUGAR
ILLUSTRATED PARTS CATALOG



Fittings and Accessories
Figure 12-2

12G74-02

GRUMMAN AMERICAN AVIATION
GA-7/COUGAR
ILLUSTRATED PARTS CATALOG

Figure & Index No.	Part Number	Nomenclature 1 2 3 4 5 6 7	Units Per Assy	Usable On Code
12- 2 - - 1	NO NUMBER 7F10340-1	FITTING AND ACCESSORIES..... GUST LOCK ASSEMBLY.....	NP 1	

GRUMMAN AMERICAN AVIATION
GA-7/COUGAR
ILLUSTRATED PARTS CATALOG

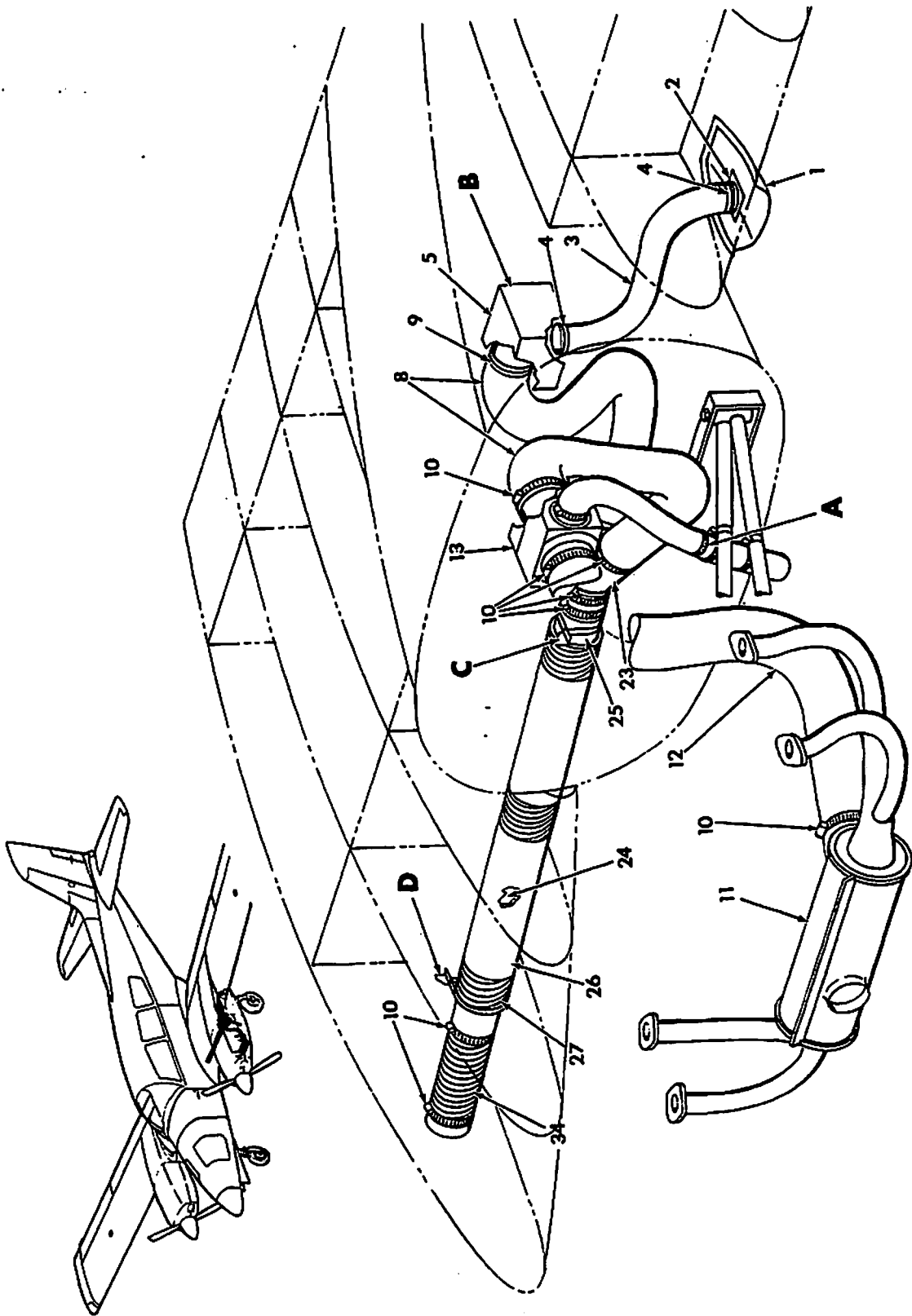
CHAPTER 21

AIR CONDITIONING
(HEATING AND VENTILATION)

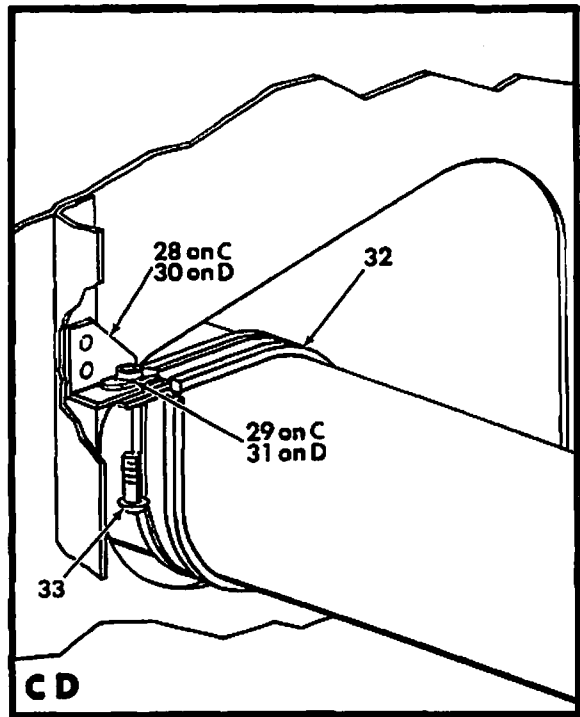
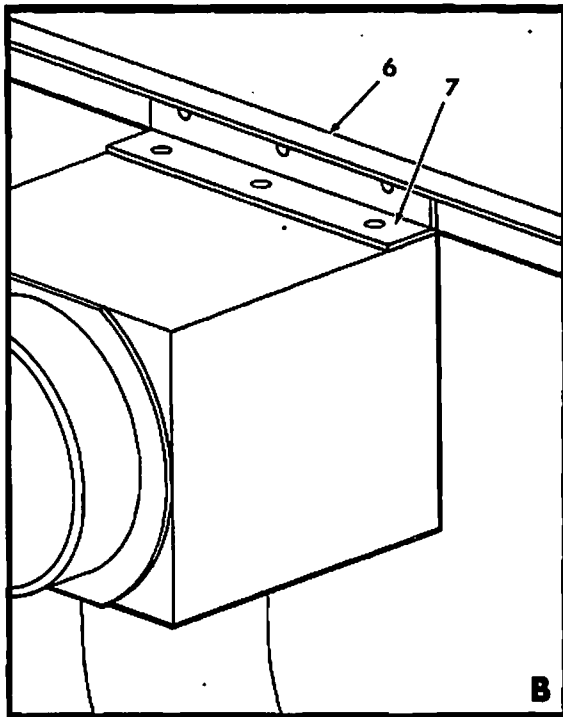
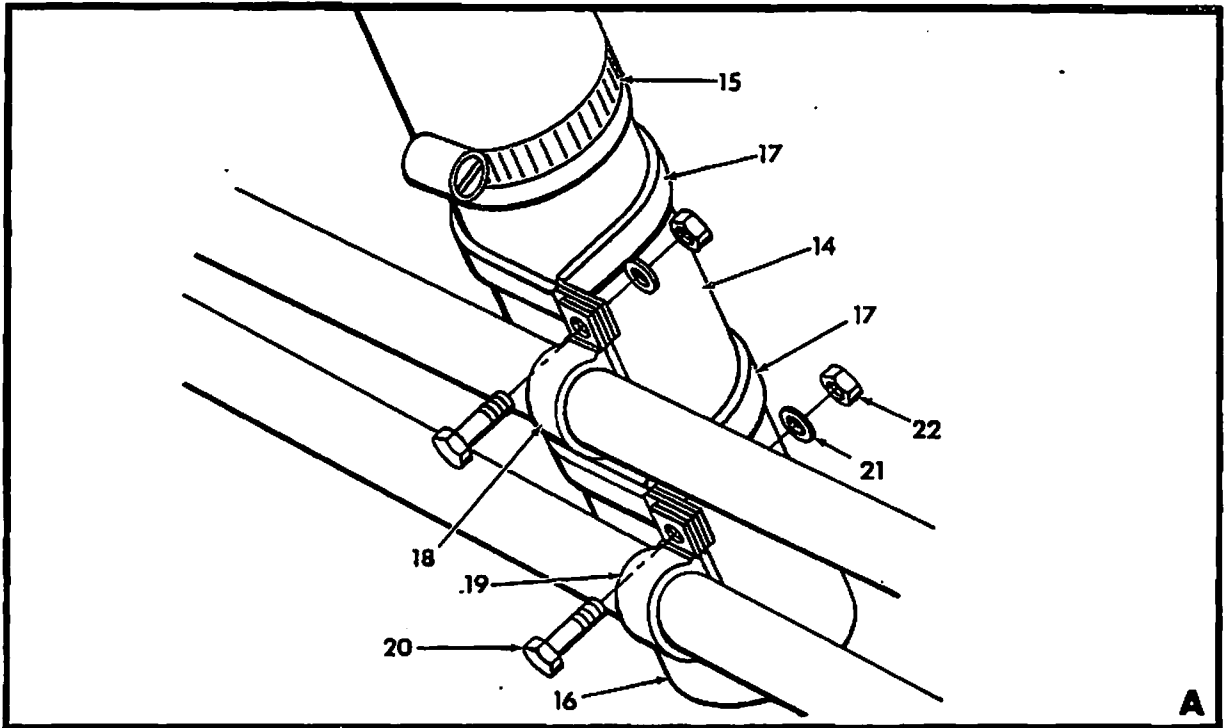
TABLE OF CONTENTS

<u>SUBJECT</u>	<u>FIGURE NUMBER</u>
CABIN HEAT AND VENTILATION SYSTEM INSTALLATION (WING)	21-1
CABIN HEAT AND VENTILATION SYSTEM INSTALLATION (CABIN)	21-2
FORWARD FRESH AIR SYSTEM INSTALLATION	21-3
REAR PASSENGER VENT INSTALLATION	21-4
HEAT AND VENTILATION CONTROL CABLE INSTALLATION	21-5

GRUMMAN AMERICAN AVIATION
GA-7/COUGAR
ILLUSTRATED PARTS CATALOG



GRUMMAN AMERICAN AVIATION
GA-7/COUGAR
ILLUSTRATED PARTS CATALOG



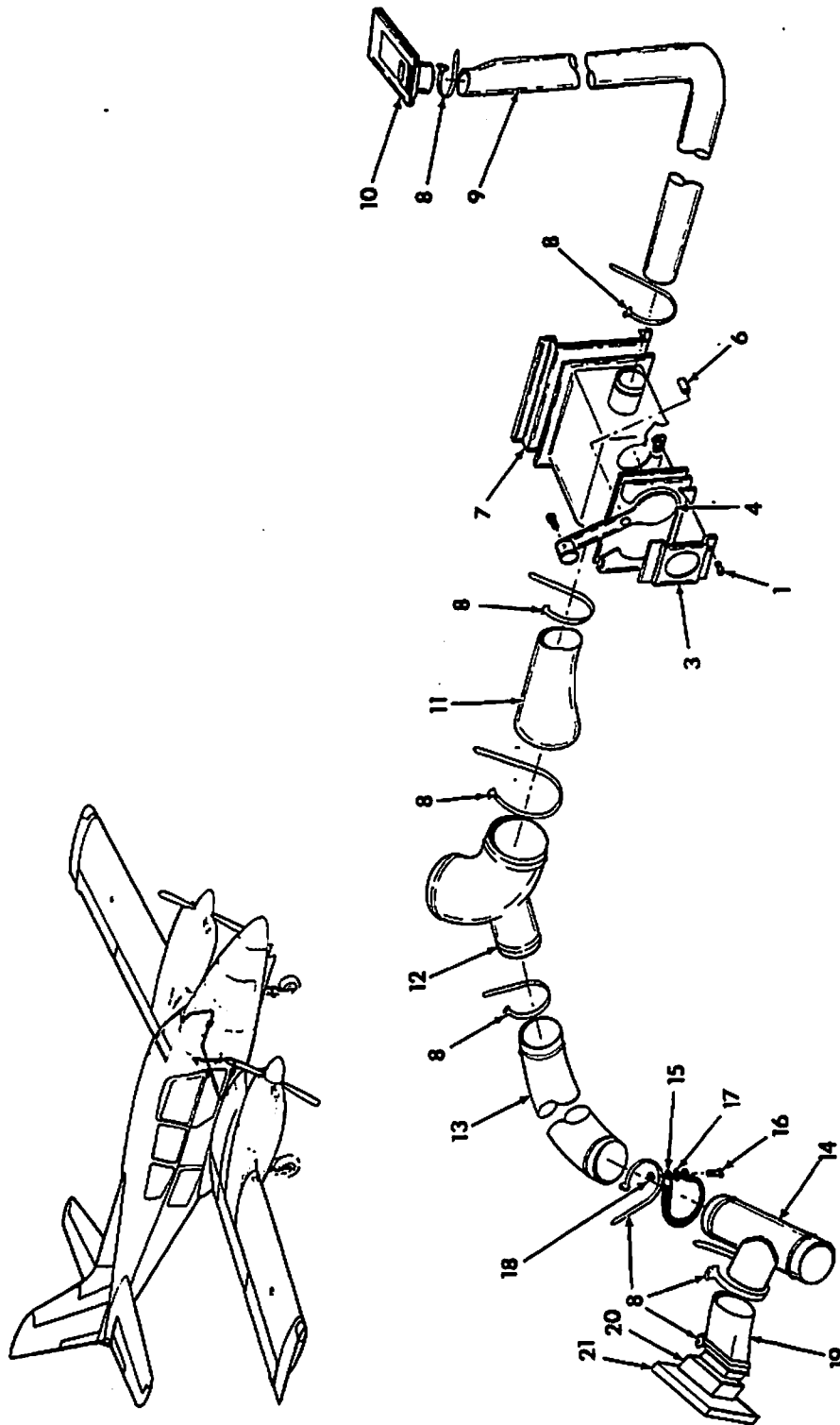
Cabin Heat and Ventilation System Installation (Wing)
 Figure 21-1 (Sheet 2 of 2)

21G7401-2

GRUMMAN AMERICAN AVIATION
GA-7/COUGAR
ILLUSTRATED PARTS CATALOG

Figure & Index No.	Part Number	Nomenclature	Units	Usable On Code
			Per Assy	
		1 2 3 4 5 6 7		
21- 1 -	7P10701-1	CABIN HEAT AND VENTILATION INSTALLATION,.....	RF	
		WING, LEFT HAND SIDE		
	7P10701-3	CABIN HEAT AND VENTILATION INSTALLATION,.....	RF	
		WING, RIGHT HAND SIDE		
- 1	7AC10002-1	.SCOOP, FRESH AIR, CABIN (LH AND RH SIDE).....	1	
- 2	804039-502	.PLATE ASSEMBLY (LH AND RH SIDE).....	1	
- 3	GAES425-C-8-136	.DUCT, COLD AIR (LH SIDE, WING INLET SCOOP).....	1	
	GAES425-C-8-192	.DUCT, COLD AIR (RH SIDE, WING INLET SCOOP).....	1	
- 4	MS3367-3-9	.STRAP, FLEXIBLE (TY-RAP) (59730).....	2	
- 5	7AC10121-3	.VALVE ASSEMBLY, COLD AIR (LH AND RH SIDE).....	1	
- 6	7P10701-911	.ANGLE.....	2	
- 7	7P10701-913	.SPACER.....	2	
- 8	GAES425-S-12-64	.DUCT, CABIN AIR (LH SIDE).....	2	
	GAES425-C-12-80	.DUCT, CABIN AIR (RH SIDE).....	2	
- 9	MS3367-3-9	.STRAP, FLEXIBLE (TY-RAP) (59730).....	2	
- 10	AN737TW114	.CLAMP, HOSE, AIRCRAFT.....	10	
- 11	7SCF002-1	.MANIFOLD, EXHAUST (SEE CHAPTER 78 FOR.....	RF	
		DETAIL BREAKDOWN)		
- 12	GAES425-S-12-148	.DUCT, HOT AIR (FROM HEAT EXCHANGER-LH AND.....	2	
		RH SIDE)		
- 13	7AC10121-1	.VALVE ASSEMBLY, HOT AIR (LH AND RH SIDE).....	1	
- 14	GAES425-S-8-104	.DUCT, DUMP (LH AND RH SIDE).....	2	
- 15	AN737TW82	.CLAMP, HOSE, AIRCRAFT.....	2	
- 16	7P10701-35	.TUBE (LH AND RH SIDE).....	1	
		(ATTACHING PARTS)		
- 17	MS21919DG32	.CLAMP, CUSHIONED, SUPPORT, LOOP-TYPE, AIRCRAFT....	2	
- 18	MS21919DG12	.CLAMP, CUSHIONED, SUPPORT, LOOP-TYPE, AIRCRAFT....	2	
- 19	MS21919DG10	.CLAMP, CUSHIONED, SUPPORT, LOOP-TYPE, AIRCRAFT....	2	
- 20	AN3-4A	.BOLT, MACHINE.....	2	
- 21	AN960-10L	.WASHER, FLAT.....	2	
- 22	MS21042L3	.NUT, SELF-LOCKING.....	2	
- 23	7AC10122-1	.DUCT ASSEMBLY, CABIN AIR Y (LH AND.....	1	
		RH SIDE)		
- 24	7P10701-13	.TUBE, CABIN AIR (LH AND RH SIDE).....	1	
- 25	7P10701-21	.DUCT (LH AND RH SIDE).....	1	
- 26	7P10701-27	.INSULATION (LH AND RH SIDE).....	AR	
- 27	GT835AF8	.TAPE (LH AND RH SIDE).....	AR	
- 28	7P10701-29	.BRACKET ASSEMBLY (LH AND RH SIDE).....	1	
- 29	NAS697A08	. PLATE, NUT.....	1	
- 30	7P10701-30	.BRACKET ASSEMBLY (LH AND RH SIDE).....	1	
- 31	NAS697A08	. PLATE, NUT.....	1	
- 32	MS21919H48	.CLAMP, CUSHIONED, SUPPORT, LOOP-TYPE, AIRCRAFT....	2	
		(ATTACHING PARTS)		
- 33	MS35206-245	.SCREW, MACHINE, PAN HEAD CROSSED RECESSED.....	4	
- 34	GAES425-S-12-28	.DUCT, CABIN AIR (LH AND RH SIDE, FUSELAGE.....	1	
		STATION 88.50)		

GRUMMAN AMERICAN AVIATION
GA-7/COUGAR
ILLUSTRATED PARTS CATALOG



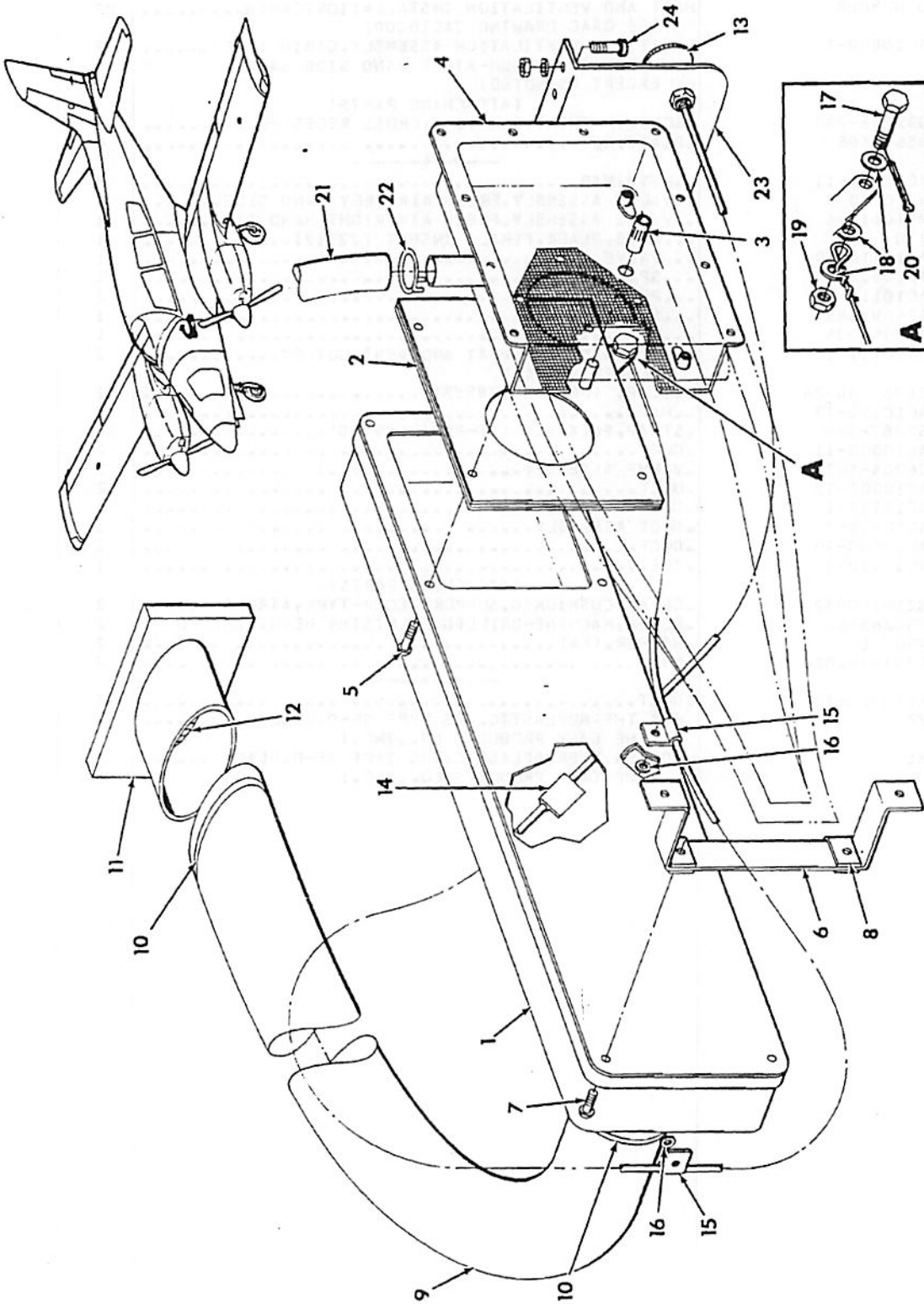
Cabin Heat and Ventilation System Installation (Cabin)
Figure 21-2

21G74-02-1

GRUMMAN AMERICAN AVIATION
GA-7/COUGAR
ILLUSTRATED PARTS CATALOG

Figure & Index No.	Part Number	Nomenclature							Units Per Assy	Usable On Code
		1	2	3	4	5	6	7		
21- 2 -	NO NUMBER	HEAT AND VENTILATION INSTALLATION, CABIN.....							RF	
	7AC10000-1	.HEAT AND VENTILATION ASSEMBLY, CABIN (LEFT..... HAND SIDE SHOWN-RIGHT HAND SIDE SAME EXCEPT AS NOTED)							2	
		(ATTACHING PARTS)								
- 1	MS35206-230	.SCREW, MACHINE, PAN HEAD, CROSS RECESSED.....							8	
- 2	NAS696A06	.PLATE, NUT.....							4	
- 3	7AC10111-11	..RETAINER.....							2	
- 4	7AC10110-3	..VALVE ASSEMBLY, FRESH AIR, LEFT HAND SIDE.....							1	
	7AC10110-4	..VALVE ASSEMBLY, FRESH AIR, RIGHT HAND SIDE.....							1	
	1770	... KNOB, BLACK, FEMALE INSERT (72512).....							1	
	7AC10110-19	... VALVE.....							1	
	7AC10110-13	... SPACER.....							1	
	7AC10110-15	... PLATE.....							2	
	MS24693CB3	... SCREW.....							1	
	MS21043-04	... NUT.....							1	
- 5	7AC10111-1	..DUCT ASSEMBLY, HEAT AND VENT, OUTLET,..... LOWER/FORWARD							2	
- 6	A2198-040-24	..CLIP, TUBULAR (78553).....							2	
- 7	7AC10111-13	..HAT.....							2	
- 8	MS3367-3-9	.STRAP, FLEXIBLE (TY-RAP) (59730).....							14	
- 9	7AC10000-11	.DUCT.....							2	
- 10	406004-502	.VALVE ASSEMBLY.....							2	
- 11	7AC10000-13	.DUCT.....							2	
- 12	7AC10131-1	.DUCT ASSEMBLY.....							1	
	7AC10131-2	.DUCT ASSEMBLY.....							1	
- 13	7AC10000-19	.DUCT.....							2	
- 14	7AC10132-1	.TEE.....							1	
		(ATTACHING PARTS)								
- 15	MS21919DG32	.CLAMP, CUSHIONED, SUPPORT, LOOP-TYPE, AIRCRAFT.....							2	
- 16	MS35265-60	.SCREW, MACHINE-DRILLED FILLISTER HEAD, SLOTTED							2	
- 17	AN960-1JL	.WASHER, FLAT.....							2	
- 18	MS20364-1024	.NUT.....							2	
- 19	7AC10000-17	.DUCT.....							1	
- 20	272	.BOX, THERMOPLASTIC, ABS TYPE SE-O, BLACK..... (THE CARY PRODUCTS CO., INC.)							1	
- 21	231	.LOUVER, THERMOPLASTIC, ABS TYPE SE-O, BLACK..... (THE CARY PRODUCTS CO., INC.)							1	

GRUMMAN AMERICAN AVIATION
GA-7/COUGAR
ILLUSTRATED PARTS CATALOG



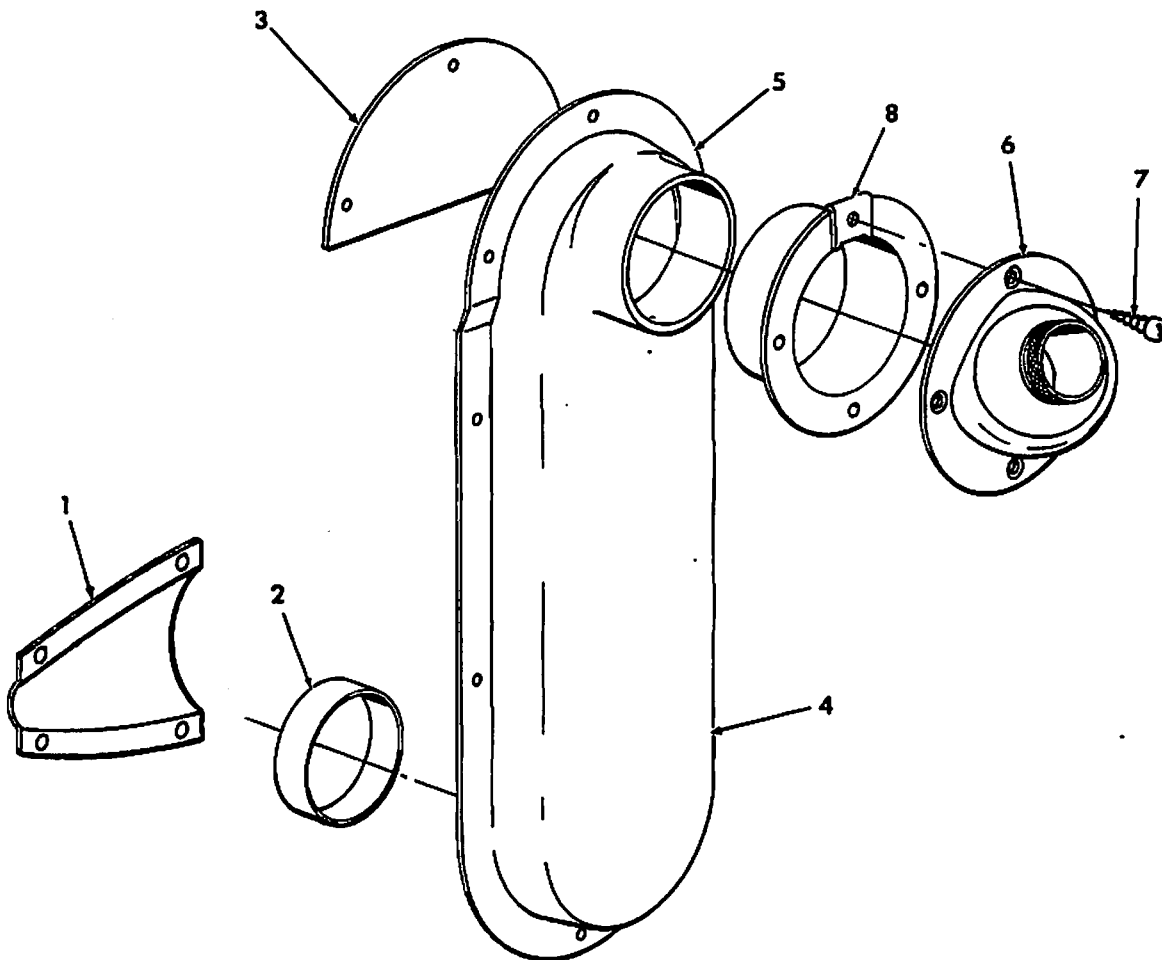
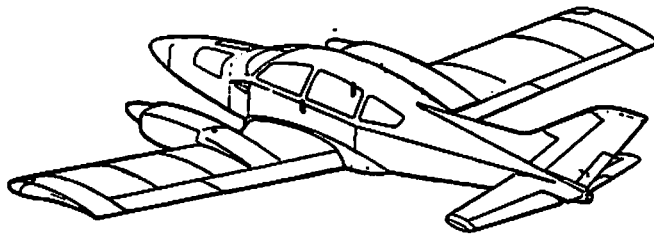
Forward Fresh Air System Installation
 Figure 21-3

21G74-03-1

GRUMMAN AMERICAN AVIATION
GA-7/COUGAR
ILLUSTRATED PARTS CATALOG

Figure & Index No.	Part Number	Nomenclature 1 2 3 4 5 6 7	Units Per Assy	Usable On Code
21- 3 -	7AC10010-3	FRESH AIR SYSTEM INSTALLATION, FORWARD..... LH SIDE	RF	
	7AC10010-4	FRESH AIR SYSTEM INSTALLATION, FORWARD..... RH SIDE	RF	
- 1	TACP10017-1	.PLENUM ASSEMBLY, FRESH AIR, LH AND RH SIDE.....	1	
- 2	7AC10110-3	.VALVE ASSEMBLY, FRESH AIR, LH SIDE.....	1	
	7AC10110-4	.VALVE ASSEMBLY, FRESH AIR, RH SIDE.....	1	
- 3	C21098-040-24	.CLIP, TUBULAR.....	1	
- 4	7AC10202-1	.DUCT ASSEMBLY, FRESH AIR, LH SIDE.....	1	
	7AC10202-2	.DUCT ASSEMBLY, FRESH AIR, RH SIDE.....	1	
	NAS696A06L	. PLATE, NUT.....	4	
		(ATTACHING PARTS FOR INDEX NUMBERS 1,2 AND 4)		
- 5	MS35265-31	.SCREW, MACHINE.....	4	
- 6	7AC10202-17	.BRACKET, LH AND RH SIDE..... (ATTACHING PARTS)	1	
- 7	GAES1021Z-6-4	.SCREW.....	2	
- 8	A8098-6Z-1	.NUT.....	2	
- 9	CAT-8	.DUCTING LH AND RH SIDE (PORTER-THERMOID..... DIVISION)	1	
- 10	MS3367-3-9	.STRAP, FLEXIBLE, LH AND RH SIDE (TY-RAP)..... (59730)	2	
- 11	272	.BOX, LH AND RH SIDE, THERMOPLASTIC, ABS..... TYPE SE-0, BLACK (THE CARY PRODUCTS CO. INC.)	1	
- 12	231	.LOUVER, LH AND RH SIDE THERMOPLASTIC, ABS..... TYPE SE-0, BLACK (THE CARY PRODUCTS CO. INC.)	1	
- 13	64-032-44	.CONTROL ASSEMBLY, PUSH PULL LH AND RH SIDE..... (ASSEMBLY LENGTH 44.00 INCHES) (70436) (ATTACHING PARTS)	1	
- 14	DK002-0188	.DEKLASP LH AND RH SIDE (34785).....	1	
- 15	AN742-3	.CLAMP, PLAIN, LOOP TYPE, AIRCRAFT.....	2	
- 16	AN960-4	.WASHER, FLAT.....	2	
- 17	AN3-3	.BOLT, MACHINE, AIRCRAFT.....	1	
- 18	AN960-10	.WASHER, FLAT.....	3	
- 19	AN310-3	.NUT, PLAIN, CASTELLATED.....	1	
- 20	MS24665-132	.PIN, COTTER.....	1	
- 21	91024-1	.TUBING, FLEX, USED WITH OPTIONAL RADIO..... COOLING KIT INSTALLATION 7AV10710-1 AND OPTIONAL DME COOLING KIT INSTALLATION 7AV10710-2 (92493)	1	
- 22	A13	.CLAMP, HOSE, USED WITH OPTIONAL RADIO..... COOLING KIT INSTALLATION 7AV10710-1 (05657)	1	
	A13	.CLAMP, HOSE, USED WITH OPTIONAL DME COOLING..... KIT INSTALLATION 7AV10710-2 (05657)	2	
- 23	7F10100-911	.ANGLE (USED TO FASTEN INDEX NUMBER 14) LH.....	1	
	7F10170-913	AND RH SIDE (ATTACHING PARTS)		
- 24	AN3-6A	.SCREW.....	2	
	AN960-10	.WASHER, FLAT.....	2	
	MS20364-1032	.NUT.....	2	
	AN3-6A	.SCREW.....	3	
	AN960-10	.WASHER, FLAT.....	3	
	MS20364-1032	.NUT.....	3	

GRUMMAN AMERICAN AVIATION
GA-7/COUGAR
ILLUSTRATED PARTS CATALOG



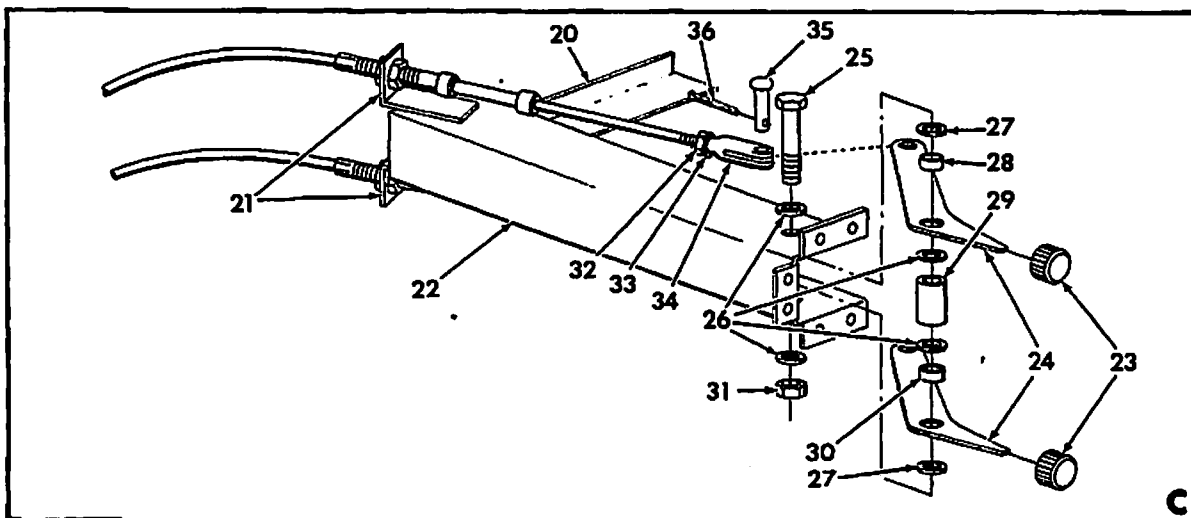
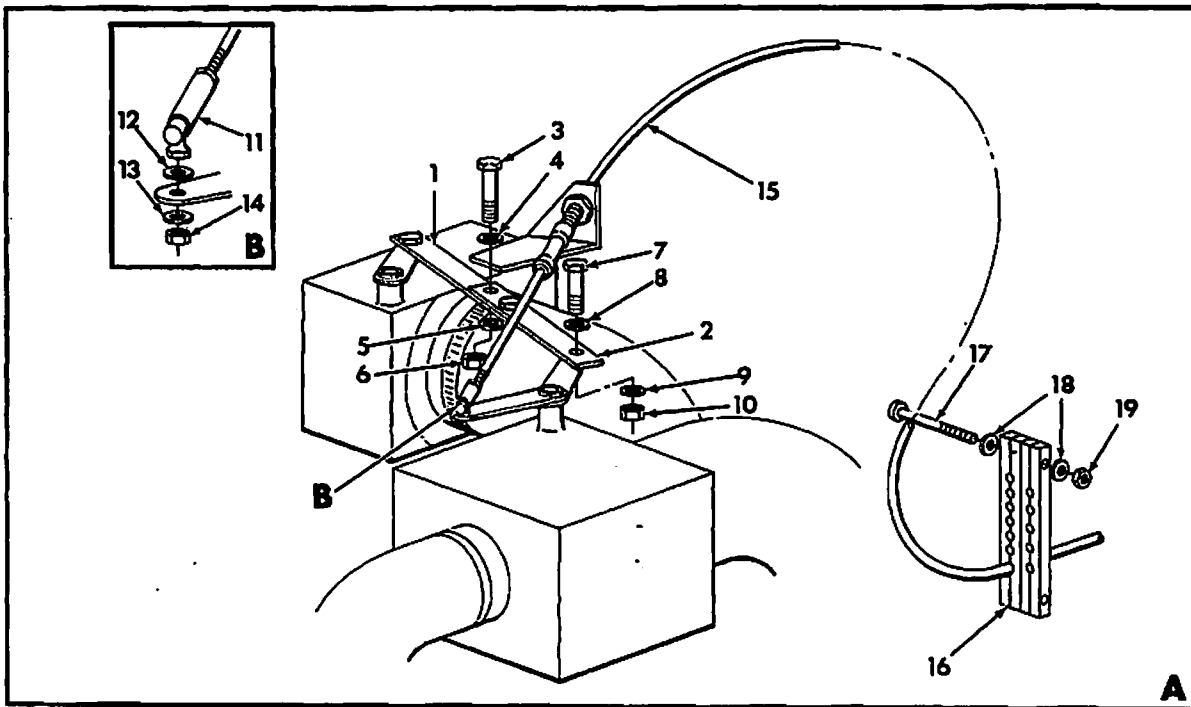
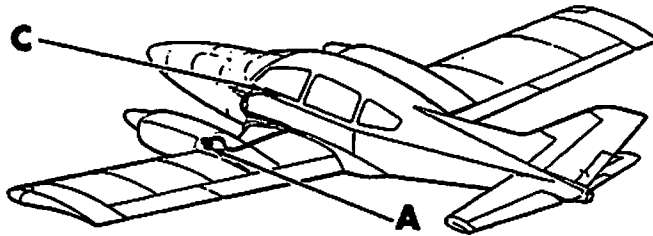
Rear Passenger Vent Installation
Figure 21-4

21G74-04-1

GRUMMAN AMERICAN AVIATION
GA-7/COUGAR
ILLUSTRATED PARTS CATALOG

Figure & Index No.	Part Number	Nomenclature							Units Per Assy	Usable On Code	
		1	2	3	4	5	6	7			
21- 4 -	7AC10200-1	VENT INSTALLATION, REAR PASSENGER, LH SIDE.....							RF		
		(OPTIONAL)									
	7AC10200-2	VENT INSTALLATION, REAR PASSENGER, RH SIDE.....							RF		
		(OPTIONAL)									
	- 1	5804045-1	.SCOOP, REAR AIR LH AND RH SIDE.....							1	
	- 2	5804001-2	.TUBE, LH AND RH SIDE.....							1	
	- 3	7AC10200-7	.PLATE, LH AND RH SIDE.....							1	
	- 4	7AC10200-5	.DUCT, LH AND RH SIDE.....							1	
	- 5	7AC10200-9	.SLEEVE, LH AND RH SIDE.....							1	
		7F10026	INTERIOR INSTALLATION, CABIN (SEE CHAPTER 25....							RF	
		FOR DETAIL BREAKDOWN)									
- 6	B2150-2	.VALVE, VENT, LH AND RH SIDE (83564).....							1		
		(ATTACHING PARTS)									
- 7	GAES102126-8	.SCRFW, LH AND RH SIDE.....							4		
- 8	NAS395-4-1	.NUT, LH AND RH SIDE.....							4		

GRUMMAN AMERICAN AVIATION
GA-7/COUGAR
ILLUSTRATED PARTS CATALOG



21G74-05-1

Heat and Ventilation Control Cable Installation
Figure 21-5

GRUMMAN AMERICAN AVIATION
GA-7/COUGAR
ILLUSTRATED PARTS CATALOG

Figure & Index No.	Part Number	Nomenclature							Units Per Assy	Usable On Code
		1	2	3	4	5	6	7		
21- 5 -	NO NUMBER	CONTNCL CABLE INSTALLATION, HEAT AND.....							NP	
- 1	7AC10121-57	VENTILATION								
- 2	7AC10121-63	.LINKAGE, CABIN AIR, FWD (LH AND RH SIDE).....							1	
- 3	AN3-3A	.LINKAGE, CABIN AIR, AFT (LH AND RH SIDE).....							1	
- 4	MS35335-32	(ATTACHING PARTS FOR INDEX NUMBERS 1 AND 2)								
- 5	AN960-10L	.BOLT, MACHINE, AIRCRAFT.....							2	
- 6	MS21042L3	.WASHER, LOCK.....							2	
- 7	AN3-4A	.WASHER, FLAT.....							2	
- 8	NAS43HT3-4	.NUT, SELF-LOCKING.....							2	
- 9	AN960-10L	.BOLT, MACHINE, AIRCRAFT.....							2	
- 10	MS21042L3	.SPACER.....							2	
- 11	LK862	.WASHER, FLAT.....							2	
- 12	NAS43HT3-4	.NUT, SELF-LOCKING.....							2	
- 13	AN960-10L	.BALL JOINT (USED ON GAAC-7AC10121-1 VALVE.....							1	
- 14	MS21042L3	ASSEMBLY LEVER), LH AND RH SIDE (70436)								
- 15	7P13000-31	(ATTACHING PARTS)								
- 16	7FP10329-13	.SPACER.....							1	
- 17	MS35207-271	.WASHER.....							1	
- 18	AN960-10	.NUT, SELF-LOCKING.....							1	
- 19	MS20364-1032	.CABLE ASSEMBLY, CONTNCL (LH CABIN AIR).....							1	
- 20	7AC10112-13	.CABLE ASSEMBLY, CONTROL (RH CABIN AIR).....							1	
- 21	7AC10112-17	.CLAMP, SUPPORT, (LH AND RH SIDE).....							3	
- 22	7AC10112-11	.CLAMP, SUPPORT, (LH AND RH SIDE).....							3	
- 23	S32R	(ATTACHING PARTS)								
- 24	7AC10112-15	.SCREW, MACHINE, PAN HEAD.....							2	
- 25	AN3-15	.WASHER, FLAT.....							4	
- 26	AN960-10L	.NUT, SELF-LOCKING.....							2	
- 27	AN960-516L	.SUPPORT.....							1	
- 28	NAS43DD3-8	.ANGLE.....							2	
- 29	NAS43DD3-60	.BRACKET.....							1	
- 30	NAS43DD3-6	.KNOB (TYPE 3C, COLOR BLACK) (75376).....							2	
- 31	MS20364-1032	.LEVER.....							2	
- 32	AN315C3R	(ATTACHING PARTS)								
- 33	AN960-10	.BOLT, MACHINE, AIRCRAFT.....							1	
- 34	AN665-21R	.WASHER, FLAT.....							4	
- 35	MS20392-2C13	.WASHER, FLAT.....							2	
- 36	MS24665-132	.SPACER.....							1	
		.SPACER.....							1	
		.NUT, SELF-LOCKING, THIN.....							1	
		.NUT, PLAIN.....							1	
		.WASHER, FLAT.....							1	
		.TERMINAL, CLEVIS.....							1	
		.PIN, HEADED.....							1	
		.PIN, COTTER.....							1	

GRUMMAN AMERICAN AVIATION
GA-7/COUGAR
ILLUSTRATED PARTS CATALOG

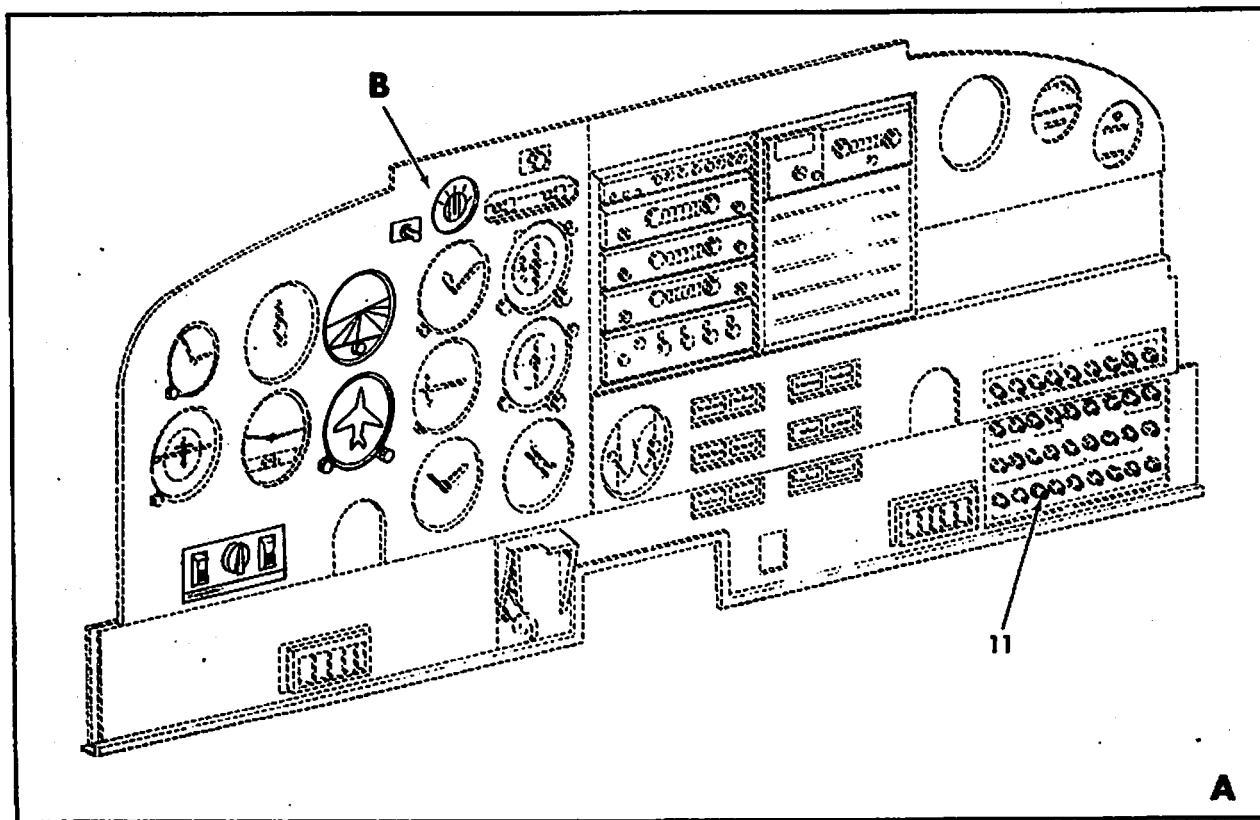
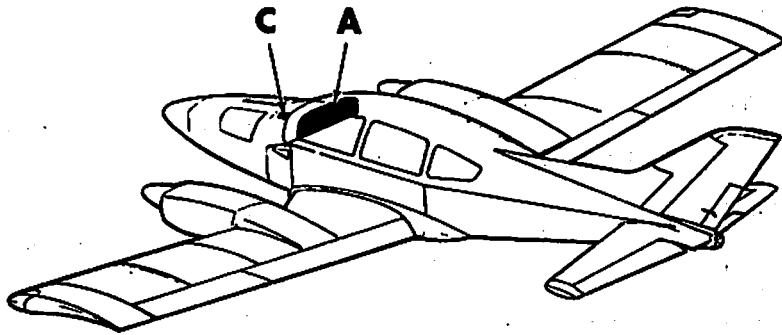
CHAPTER 22

AUTO FLIGHT

TABLE OF CONTENTS

<u>SUBJECT</u>	<u>FIGURE NUMBER</u>
AUTO PILOT INSTALLATION, CENTURY IIB (OPTIONAL)	22-1
AUTO PILOT INSTALLATION, CENTURY III (OPTIONAL)	22-2
ROLL SERVO INSTALLATION	22-3
PITCH SERVO INSTALLATION	22-4
PITCH TRIM SERVO INSTALLATION	22-5

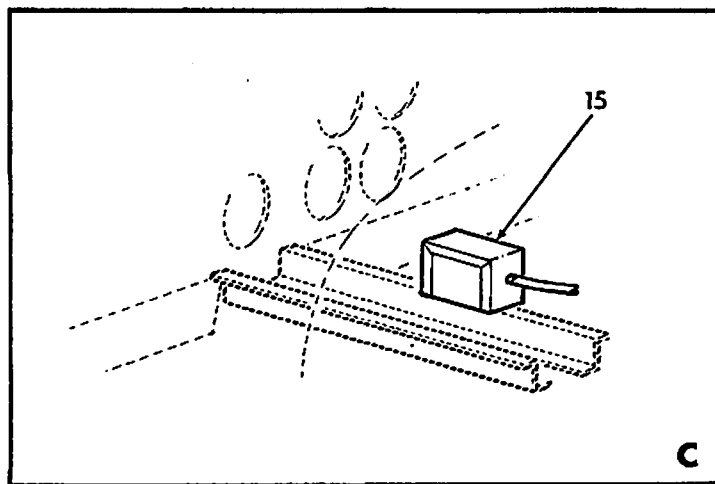
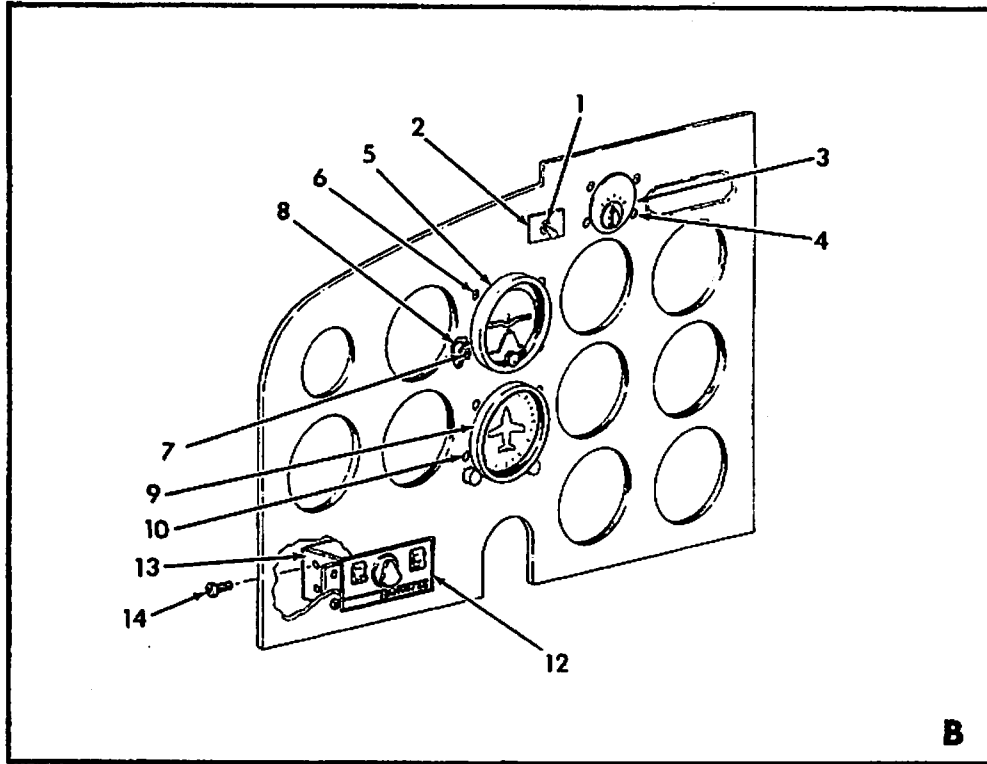
GRUMMAN AMERICAN AVIATION
GA-7/COUGAR
ILLUSTRATED PARTS CATALOG



A22G74-01-1

Auto Pilot Installation, Century IIB (Optional)
Figure 22-1 (Sheet 1 of 2)

GRUMMAN AMERICAN AVIATION
GA-7/COUGAR
ILLUSTRATED PARTS CATALOG

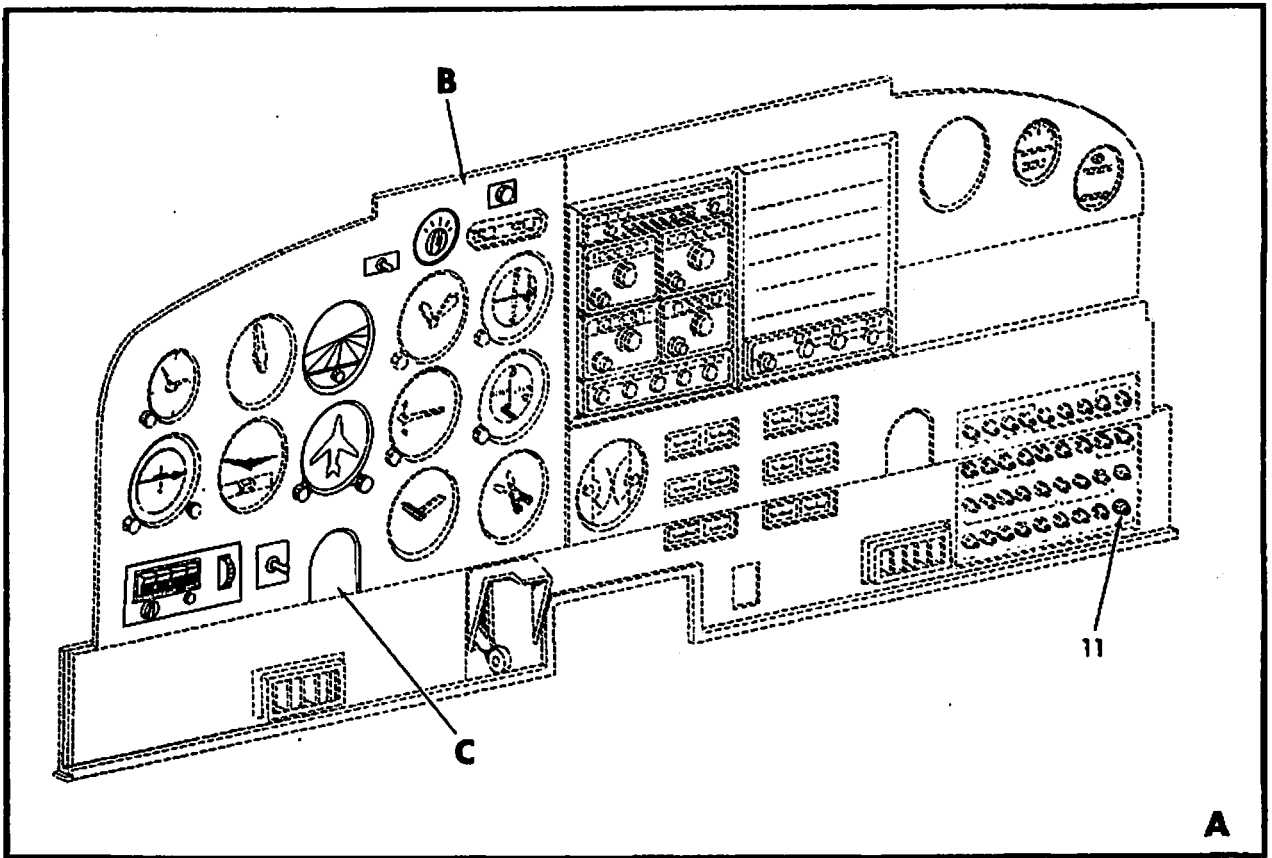
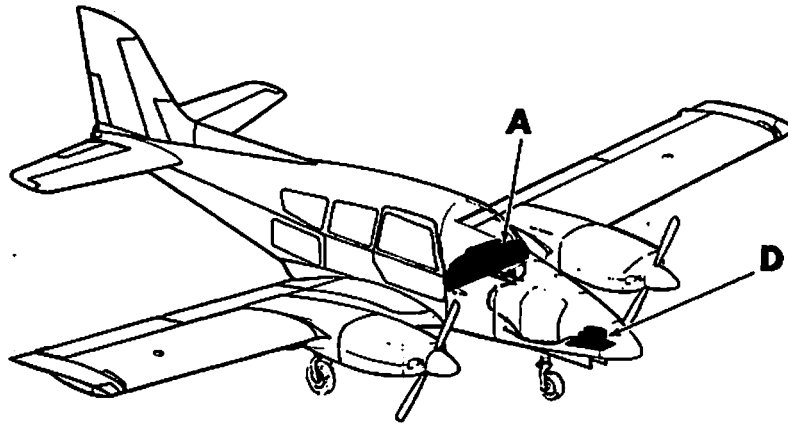


A22G74-01-2

GRUMMAN AMERICAN AVIATION
GA-7/COUGAR
ILLUSTRATED PARTS CATALOG

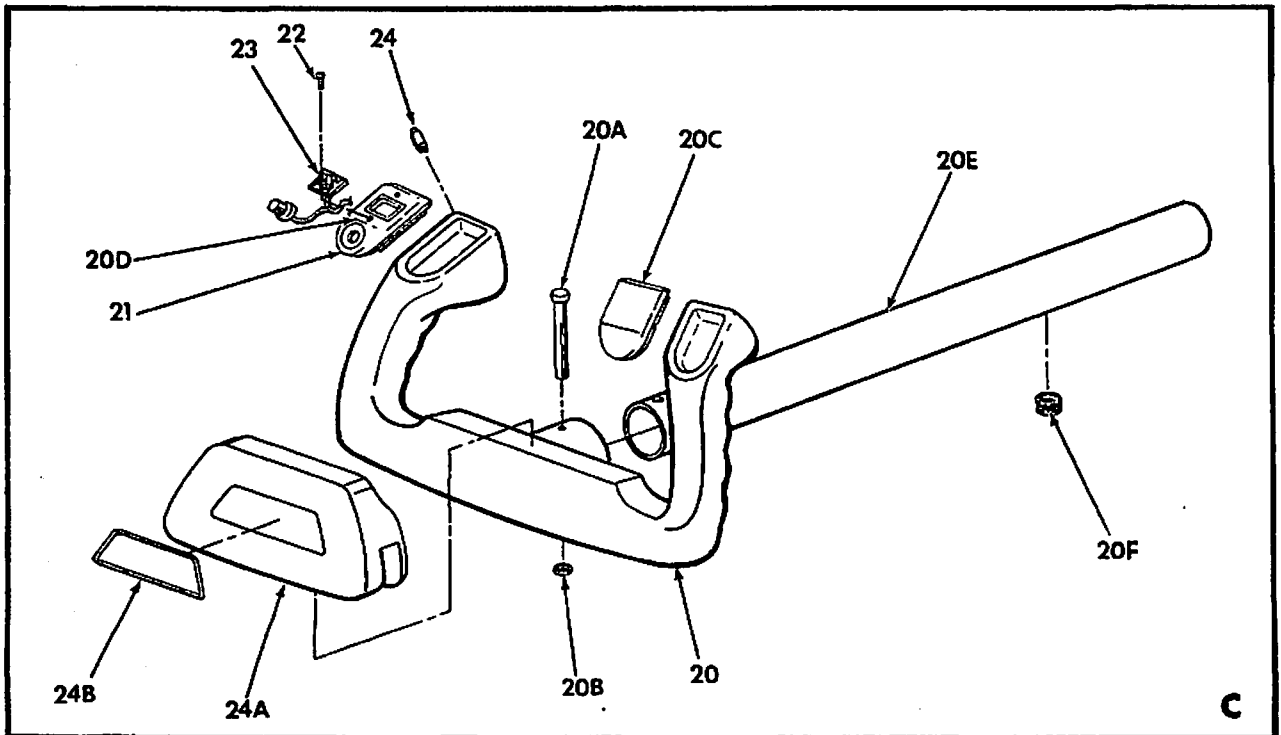
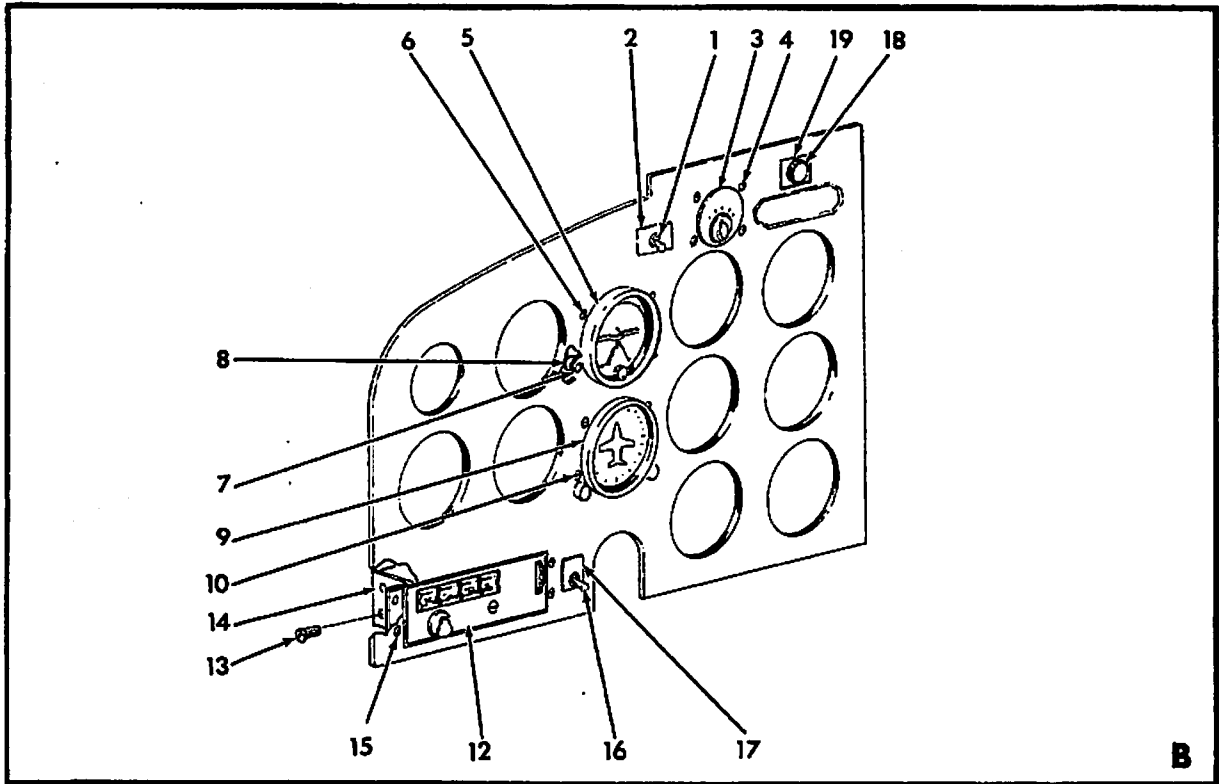
Figure & Index No.	Part Number	Nomenclature							Units Per Assy	Usable On Code	
		1	2	3	4	5	6	7			
22- 1 -	7F10980-1	AUTO PILOT INSTALLATION, CENTURY IIB (WITH..... RADIO COUPLER) (OPTIONAL) (REFER TO APPLIC- ABLE EDO-AIRE MITCHELL PARTS MANUAL FOR DETAIL BREAKDOWN)							NP		
	7F10980-2	AUTO PILOT INSTALLATION, CENTURY IIB (WITH..... OUT RADIO COUPLER) (OPTIONAL) (REFER TO APPLICABLE EDO-AIRE MITCHELL PARTS MANUAL FOR DETAIL BREAKDOWN)							NP		
	- 1	MST-205N	.SWITCH (70255) (USED ON 7F10980-1).....							1	
	- 2	5804047-1	.PLACARD, SWITCH (USED ON 7F10980-1).....							1	
	- 3	1C388N	.COUPLER, RADIO (56172) (USED ON 7F10980-1).... (ATTACHING PARTS)							1	
	- 4	MS35214-24	.SCREW, MACHINE.....							4	
	- 5	52066M	.GYRO, ATTITUDE (56172)..... (ATTACHING PARTS)							1	
	- 6	MS35214-30	.SCREW, MACHINE.....							2	
	- 7	MS35214-33	.SCREW, MACHINE.....							2	
	- 8	32R33-1	.SPACER (56172).....							1	
	- 9	52054	.GYRO, DIRECTIONAL (56172)..... (ATTACHING PARTS)							1	
	- 10	MS35214-24	.SCREW, MACHINE.....							3	
	- 11	1600-010-050	.CIRCUIT BREAKER (5 AMP) (05231).....							1	
	- 12	1C385	.CONSOLE, AMPLIFIER (56172).....							1	
	- 13	5804050-3	.BRACKET..... (ATTACHING PARTS)							2	
- 14	MS35214-24	.SCREW, MACHINE.....							2		
	MS20364-632	.NUT, SELF-LOCKING.....							2		
- 15	1R440	.FILTER, ROLL SIGNAL (56172).....							1		
	7F10980-53	.ROLL SERVO INSTALLATION (SEE FIGURE 22-3..... FOR DETAIL BREAKDOWN)							NP		

GRUMMAN AMERICAN AVIATION
GA-7/COUGAR
ILLUSTRATED PARTS CATALOG



A22G74-02-1

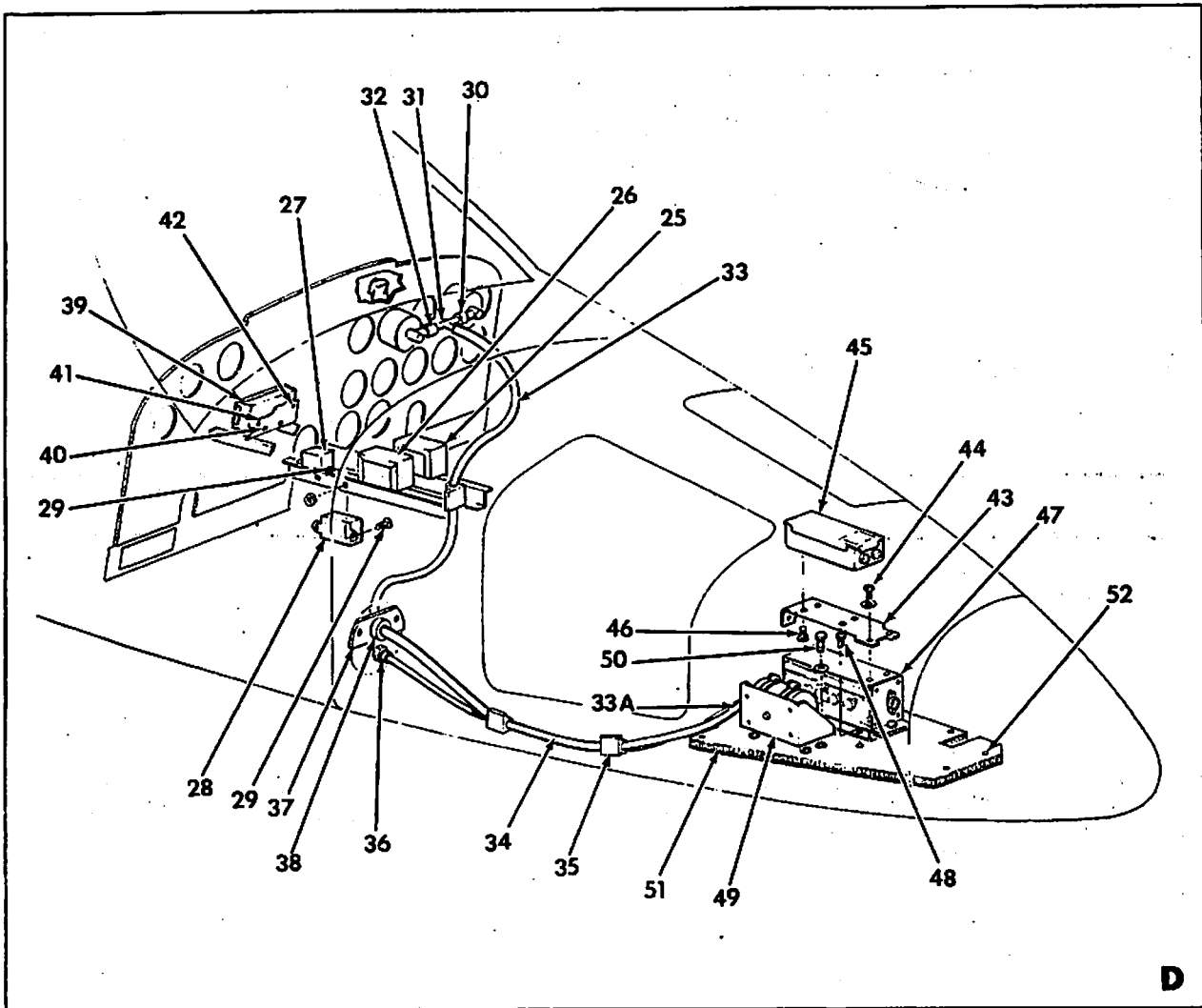
GRUMMAN AMERICAN AVIATION
GA-7/COUGAR
ILLUSTRATED PARTS CATALOG



A22G74-02-2

Auto Pilot Installation, Century III (Optional)
 Figure 22-2 (Sheet 2 of 3)

GRUMMAN AMERICAN AVIATION
GA-7/COUGAR
ILLUSTRATED PARTS CATALOG



D

A22G74-02-3

Auto Pilot Installation, Century III (Optional)
Figure 22-2 (Sheet 3 of 3)

GRUMMAN AMERICAN AVIATION
GA-7/COUGAR
ILLUSTRATED PARTS CATALOG

Figure & Index No.	Part Number	Nomenclature	Units Per Assy	Usable On Code	
					1 2 3 4 5 6 7
22- 2 -	7F10981-1	AUTO PILOT INSTALLATION, CENTURY III..... (WITHOUT RADIO COUPLER) (OPTIONAL) (REFER TO APPLICABLE EDO-AIRE MITCHELL PARTS MANUAL FOR DETAIL BREAKDOWN)	NP	R	
	7F10981-2	AUTO PILOT INSTALLATION, CENTURY III (WITH..... RADIO COUPLER) (OPTIONAL) (REFER TO APPLIC- ABLE EDO-AIRE MITCHELL PARTS MANUAL FOR DETAIL BREAKDOWN)	NP	R	
	7F10982-1	AUTO PILOT INSTALLATION, CENTURY III (WITH..... GLIDE SLOPE) (OPTIONAL) (REFER TO APPLIC- ABLE EDO-AIRE MITCHELL PARTS MANUAL FOR DETAIL BREAKDOWN)	NP	R	
	- 1	MST-205N	.SWITCH (70255) (USED ON 7F10981-2 AND..... 7F10982-1)	1	R
	- 2	5804047-1	.PLACARD, SWITCH (USED ON 7F10981-2 AND..... 7F10982-1)	1	R
	- 3	1C3884	.COUPLER, RADIO (56172) (USED ON 7F10981-2..... 7F10981-2 AND 7F10982-1) (ATTACHING PARTS)	1	R
	- 4	MS35214-24	.SCREW, MACHINE.....	4	R
	- 5	52D67M	.GYRO, ATTITUDE (56172)..... (ATTACHING PARTS)	1	R
	- 6	MS35214-30	.SCREW, MACHINE.....	2	R
	- 7	MS35214-33	.SCREW, MACHINE.....	2	R
	- 8	32B33-1	.SPACER (56172).....	1	R
	- 9	52D54	.GYRO, DIRECTIONAL (56172)..... (ATTACHING PARTS)	1	R
	- 10	MS35214-24	.SCREW, MACHINE.....	3	R
	- 11	1600-019-050	.CIRCUIT BREAKER (5 AMP) (J5231).....	1	R
	- 12	1C404	.CONSOLE, AMPLIFIER (56172)..... (ATTACHING PARTS)	1	R
	- 13	AN505-4-6 AN365-440	.SCREW..... .NUT, SELF-LOCKING.....	4 4	R
	- 14	7A659	.BRACKET (56172)..... (ATTACHING PARTS)	2	R
	- 15	MS35214-14 AN365-440	.SCREW, MACHINE..... .NUT, SELF-LOCKING.....	2 2	R
	- 16	65S49	.SWITCH, CIRCUIT BREAKER (56172).....	1	R
	- 17	7F10038-41	.PLACARD, SWITCH.....	1	R
- 18	30A296-1	.CABLE AND LAMP ASSEMBLY (56172) (USED ON..... 7F10982-1)	1	R	
- 19	7F10038-111	.PLACARD (USED ON 7F10982-1).....	1	R	
- 20	7C10103-3	.WHEEL ASSEMBLY, CONTROL, WITH CENTURY III..... AUTO PILOT (OPTIONAL)	1	R	
	7C10103-11	.WHEEL ASSEMBLY, CONTROL, WITH CENTURY III..... AUTO PILOT AND REMOTE MICROPHONE SWITCH (OPTIONAL) (ATTACHING PARTS)	1	R	
- 20A	Z2105 7CM10111-11	.RIVET.....	1	R	
- 20B	AN960-416	.WASHER, FLAT.....	1	R	
- 20C	7FP10410-15	.CAP, RH GRIP.....	1	R	
- 20D	7FP10410-17	.CAP, LH GRIP.....	1	R	
- 20E	7CM10113-11	.TUBE.....	1	R	

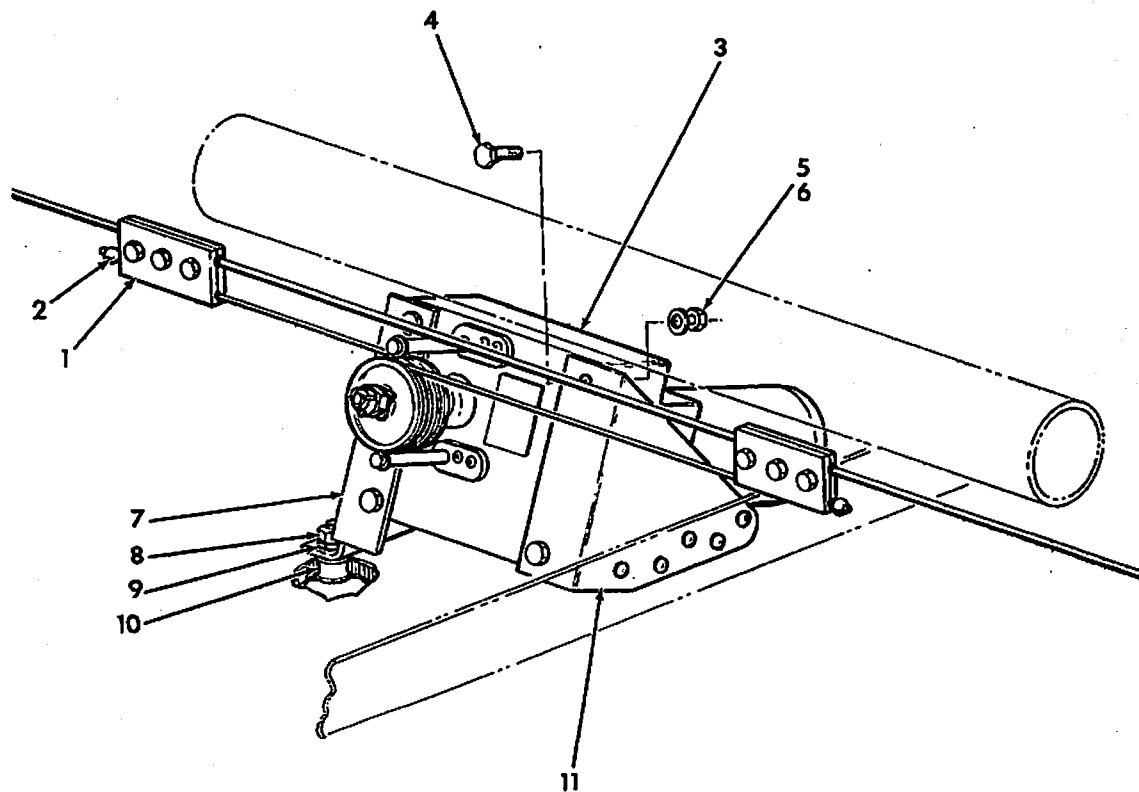
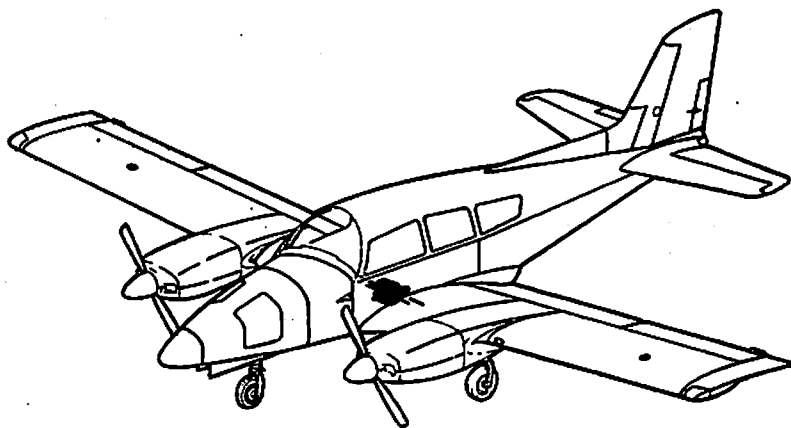
GRUMMAN AMERICAN AVIATION
GA-7/COUGAR
ILLUSTRATED PARTS CATALOG

Figure & Index No.	Part Number	Nomenclature 1 2 3 4 5 6 7	Units Per Assy	Usable On Code
22- 2 - 20F	72117	..GROMMET (76385).....	1	R
- 21	13A773	..PLACARD (EDO-AIRE MITCHELL).....	1	
- 22	30C416-20	..SWITCH AND CABLE ASSEMBLY (EDO-AIRE MITCHELL).....	1	
		(ATTACHING PARTS)		
- 23	MS35198-4	..SCREW.....	2	
- 24	601-4300	..SWITCH, PB, REMOTE, MICROPHONE (OPTIONAL) (81579).....	1	R
- 24A	7FP10411-13	..PAD.....	1	R
- 24B	7FC10713-11	..NAMEPLATE.....	1	R
- 25	1A752-1	..RELAY (56172).....	1	R
- 26	1A526	..RELAY (56172).....	1	R
- 27	1A479	..FILTER, NOISE (56172).....	1	R
- 28	1A479-2	..FILTER, NOISE (56172).....	1	R
		(ATTACHING PARTS FOR ITEMS 27 AND 28)		
- 29	MS35214-24	..SCREW.....	4	
	MS20365-832	..NUT.....	4	
- 30	7F10981-56	..TUBE (USED ON 7F10981-1 AND 7F10981-2).....	1	
	7F10982-56	..TUBE (USED ON 7F10982-1).....	1	
- 31	GT515R4	..FITTING, TEE.....	1	
- 32	7F10981-57	..TUBE (USED ON 7F10981-1 AND 7F10981-2).....	2	R
	7F10982-57	..TUBE (USED ON 7F10982-1).....	2	R
- 33	7F10981-55	..TUBE (USED ON 7F10981-1 AND 7F10981-2).....	1	
	7F10982-55	..TUBE (USED ON 7F10982-1).....	1	
- 33A	GA500G4-2	..CONNECTOR, MALE.....	1	R
- 34	7F10981-54	..TUBE (USED ON 7F10981-1 AND 7F10981-2).....	1	
	7F10982-54	..TUBE (USED ON 7F10982-2).....	1	
- 35	DK-250	..CLAMP (34785).....	3	
- 36	GU500B4	..UNION BULKHEAD.....	1	
- 37	7B10503-95	..PLATE.....	1	
- 38	Z-2324	..GROMMET (76385).....	1	
- 39	1C493	..COUPLER, GLIDE SLOPE (56172) (USED ON 7F10982-1).....	1	R
		(ATTACHING PARTS)		R
- 40	AN507-632R6	..SCREW.....	3	
- 41	7B1380	..BRACKET (56172) (USED ON 7F10982-1).....	1	R
		(ATTACHING PARTS)		
- 42	MS35206-243	..SCREW.....	3	
- 43	7B1449	..BRACKET (56172) (USED ON 7F10982-1).....	1	R
		(ATTACHING PARTS)		
- 44	MS35206-229	..SCREW.....	4	
	AN936-A6	..WASHER.....	4	
- 45	1C709-27	..AMPLIFIER, PITCH TRIM (56172).....	1	R
		(ATTACHING PARTS)		
- 46	MS35206-228	..SCREW.....	4	
- 47	1C515-5	..AMPLIFIER (56172).....	1	R
		(ATTACHING PARTS)		
- 48	1601-0410	..RIVET (19738).....	4	R
- 49	1C725	..ALTITUDE HOLD (56172).....	1	R
		(ATTACHING PARTS)		
- 50	MS35206-246	..SCREW.....	4	
	AN936-A8	..WASHER.....	4	

GRUMMAN AMERICAN AVIATION
GA-7/COUGAR
ILLUSTRATED PARTS CATALOG

Figure & Index No.	Part Number	Nomenclature							Units Per Assy	Usable On Code
		1	2	3	4	5	6	7		
22- 2 - 50	A8-75	.RIVNUT.....							4	
	AN936-A416	.WASHER.....							4	
- 51	7F10132-11	.DECK, AVIONIC.....							1	
- 52	MS35206-249	(ATTACHING PARTS)								
	AN960-8	.SCREW.....							6	
		.WASHER.....							6	
	7F10981-53	.ROLL SERVO INSTALLATION (USED ON 7F10981-1....							RF	
		AND 7F10981-2) (SEE FIGURE 22-3 FOR								
		DETAIL BREAKDOWN)								
	7F10982-53	.ROLL SERVO INSTALLATION (USED ON 7F10982-11....							RF	
		(SEE FIGURE 22-3 FOR DETAIL BREAKDOWN)								
	7F10981-51	.PITCH SERVO INSTALLATION (USED ON 7F10981-1....							RF	
		AND 7F10981-2) (SEE FIGURE 22-4 FOR								
		DETAIL BREAKDOWN)								
	7F10982-51	.PITCH SERVO INSTALLATION (USED ON.....							RF	
		7F10982-1) (SEE FIGURE 22-4 FOR DETAIL								
		BREAKDOWN)								
	7F10981-52	.PITCH TRIM SERVO INSTALLATION (USED ON.....							RF	
		7F10981-1 AND 7F10981-2) (SEE FIGURE 22-5								
		FOR DETAIL BREAKDOWN)								
	7F10982-52	.PITCH TRIM SERVO INSTALLATION (USED ON.....							RF	
		7F10982-1) (SEE FIGURE 22-5 FOR DETAIL								
		BREAKDOWN)								

GRUMMAN AMERICAN AVIATION
GA-7/COUGAR
ILLUSTRATED PARTS CATALOG



Roll Servo Installation
Figure 22-3

22G74-03

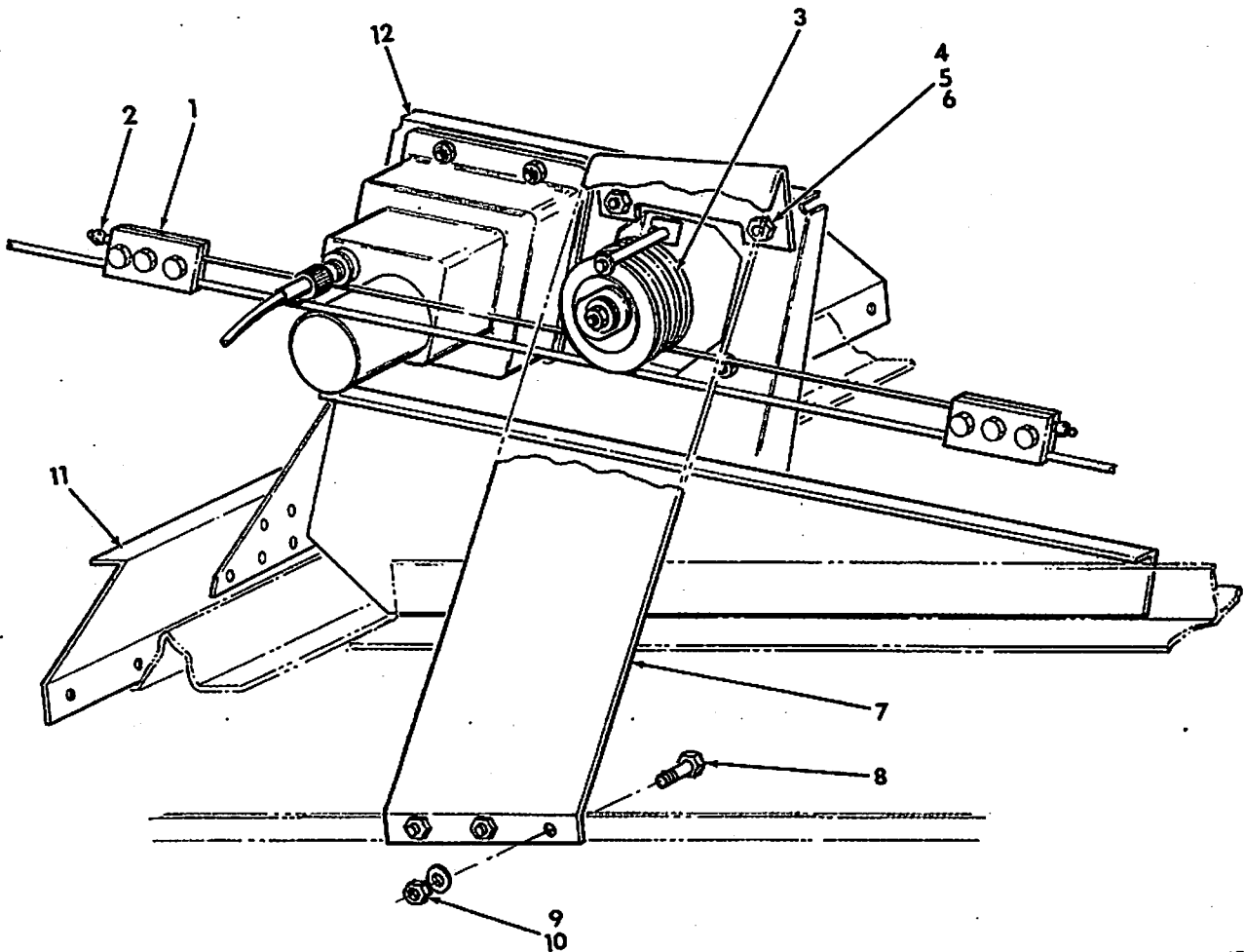
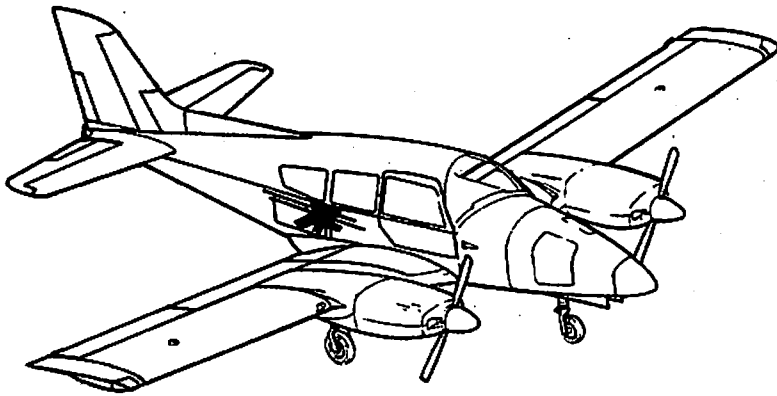
GRUMMAN AMERICAN AVIATION

GA-7/COUGAR

ILLUSTRATED PARTS CATALOG

Figure & Index No.	Part Number	Nomenclature							Units Per Assy	Usable On Code	
		1	2	3	4	5	6	7			
22- 3 -	7F10980-53	ROLL SERVO INSTALLATION (SEE FIGURE 22-1 FOR... NHA)							NP		
	7F10981-53	ROLL SERVO INSTALLATION (SEE FIGURE 22-2 FOR... NHA)							NP		
	7F10982-53	ROLL SERVO INSTALLATION (SEE FIGURE 22-2 FOR... NHA)							NP		
	- 1	42A173-1	.CLAMP ASSEMBLY, CABLE (56172)							2	
	- 2	30R517-4	.CABLE, BRIDLE, ROLL SERVO (56172).....							1	R
	- 3	ICE63-1-635R	.SERVO, ROLL (56172)..... (ATTACHING PARTS)							1	R
	- 4	AN3-4A	.BOLT.....							4	
	- 5	AN960-11	.WASHER.....							4	
	- 6	MS20365-1032	.NUT.....							4	
	- 7	7C1770	.BRACKET (56172)..... (ATTACHING PARTS)							1	R
	- 8	MS20365-1032C	.NUT.....							2	
- 9	AN960-10	.WASHER.....							2		
- 10	GAES200-6	.STOP.....							2		
	GAES200-9	.CAP.....							2		
- 11	7C1773	.BRACKET (56172).....							1	R	

GRUMMAN AMERICAN AVIATION
GA-7/COUGAR
ILLUSTRATED PARTS CATALOG



Pitch Servo Installation
Figure 22-4

22G74-04

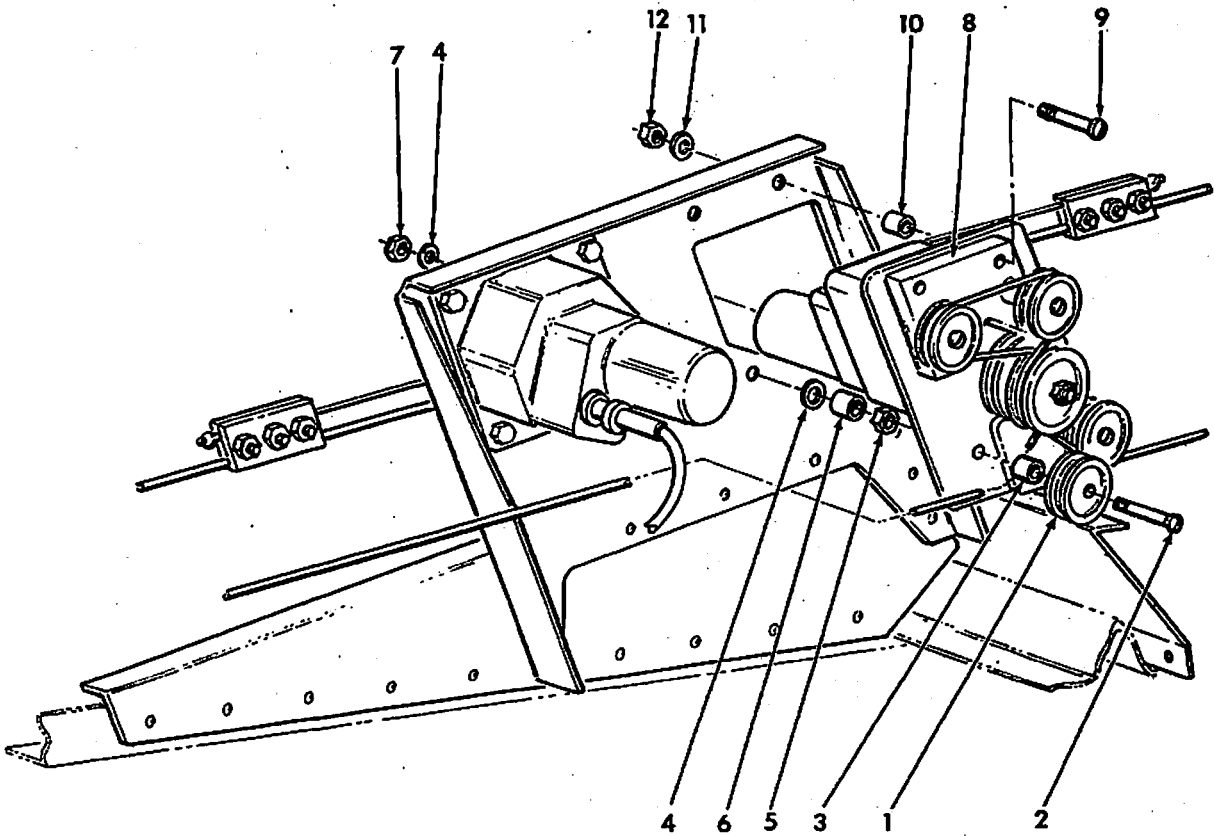
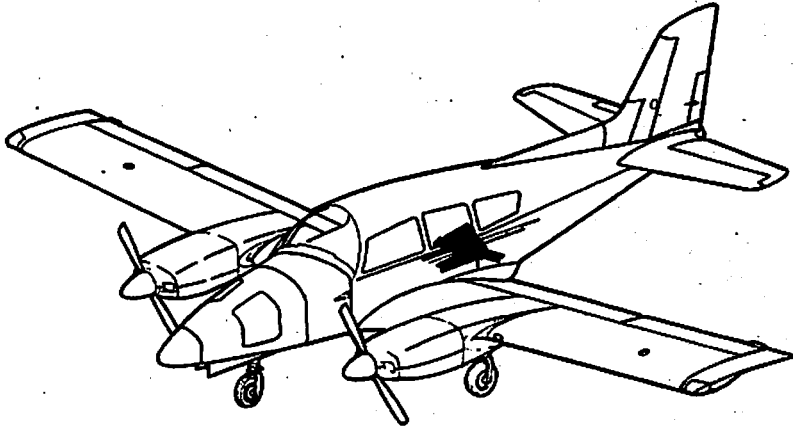
GLUMMAN AMERICAN AVIATION

GA-7/COUGAR

ILLUSTRATED PARTS CATALOG

Figure & Index No.	Part Number	Nomenclature							Units Per Assy	Usable On Code	
		1	2	3	4	5	6	7			
22- 4 - - 1 - 2 - 3 - 4 - 5 - 6 - 7 - 8 - 9 - 10 - 11 - 12	7F10981-51	PITCH SERVO INSTALLATION (USED ON 7F10981-1....							NP		
	7F10982-51	AND 7F10981-?) (SEE FIGURE 22-2 FOR NHA)									
		PITCH SERVO INSTALLATION (USED ON 7F10982-1)...							NP		
		(SEE FIGURE 22-2 FOR NHA)									
		42A173-1	.CLAMP ASSEMBLY (56172).....							2	
		308253	.CABLE, BRIDLE, PITCH SERVO (56172).....							1	
		1C508-1-635P	.SERVO, PITCH (56172).....							1	
			(ATTACHING PARTS)								
		AN3-6A	.BOLT.....							4	
		AN960-10	.WASHER.....							AP	
		AN960-10L	.WASHER.....							AP	
		MS20365-1032	.NUT.....							4	
		-----+-----									
	7D1836	.BRACKET (56172).....							1		
		(ATTACHING PARTS)									
	AN525-832-R8	.SCREW.....							3		
	AN936-AR	.WASHER, LOCK.....							3		
	AN365-832	.NUT.....							3		
		-----+-----									
	7C1769	.BRACKET (56172).....							1		
	81D332	.BRACKET ASSEMBLY (56172).....							1		

GRUMMAN AMERICAN AVIATION
GA-7/COUGAR
ILLUSTRATED PARTS CATALOG



Pitch Trim Servo Installation
Figure 22-5

22074-05

GRUMMAN AMERICAN AVIATION

GA-7/COUGAR

ILLUSTRATED PARTS CATALOG

Figure & Index No.	Part Number	Nomenclature							Units Per Assy	Usable On Code	
		1	2	3	4	5	6	7			
22- 5	7F10981-52	PITCH TRIM SERVO INSTALLATION (USED ON..... 7F10981-1 AND 7F10981-2) (SEE FIGURE 22-2 FOR NHA)							NP		
	7F10982-52	PITCH TRIM SERVO INSTALLATION (USED ON..... 7F10982-1) (SEE FIGURE 22-2 FOR NHA)							NP		
	7C10150-28	.CABLE ASSEMBLY (NOT SHOWN) (REPLACES..... 7C10150-22) (REFER TO CHAPTER 27)							1		
	- 1	MS24566-18	.PULLEY..... (ATTACHING PARTS)							2	
	- 2	MS35207-272	.SCREW (USED ON FORWARD PULLEY).....							1	
		MS35207-271	.SCREW (USED ON AFT PULLEY).....							1	
	- 3	NAS43003-36	.SPACER (USED ON FORWARD PULLEY).....							1	
		NAS43003-26	.SPACER (USED ON AFT PULLEY).....							1	
	- 4	AN960-10	.WASHER.....							AR	
		AN960-10L	.WASHER.....							AR	
	- 5	MS35650-302	.NUT.....							1	
	- 6	NAS43003-20	.SPACER.....							1	
- 7	20365-1032	.NUT.....							1		
- 8	1C373-6-635	.SERVO, PITCH TRIM (56172)..... (ATTACHING PARTS)							1		
- 9	MS35206-251	.SCREW.....							2		
- 10	NAS43003-32	.SPACER.....							2		
- 11	AN960-B	.WASHER.....							AR		
- 12	MS20365-R32	.NUT.....							2		

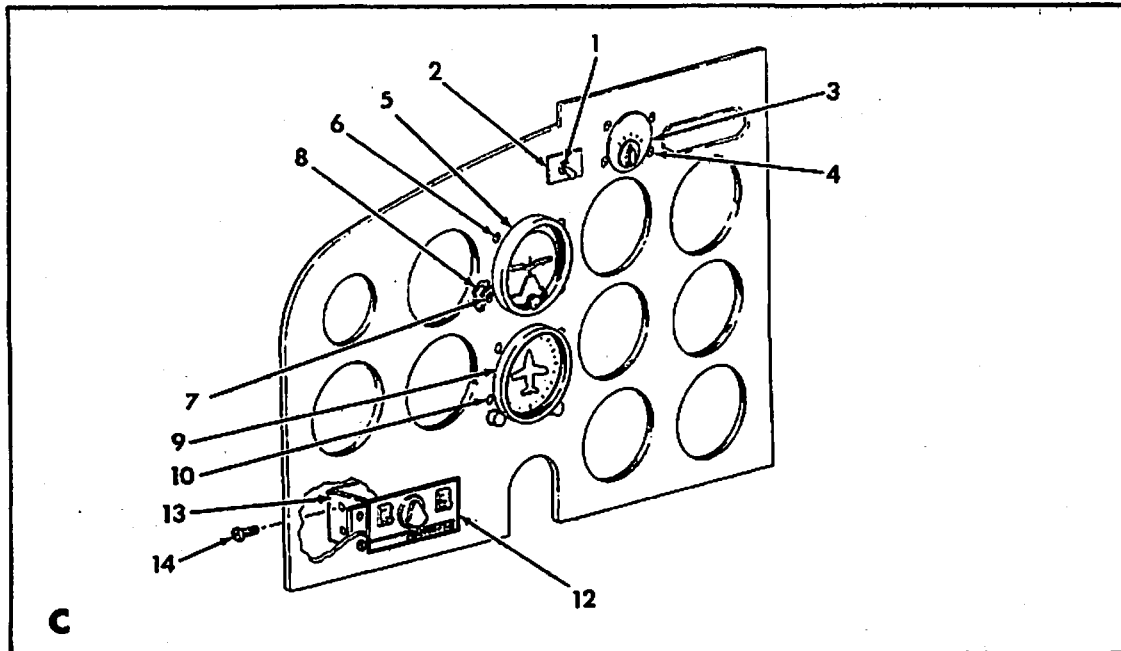
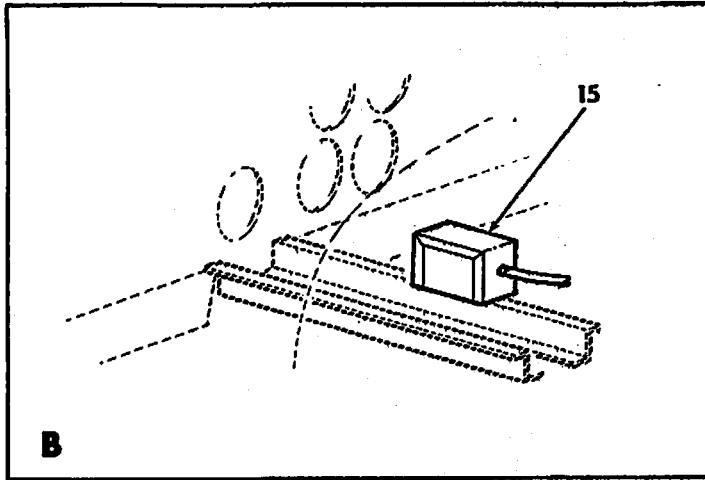
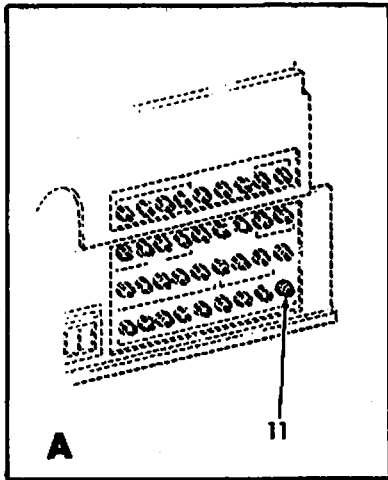
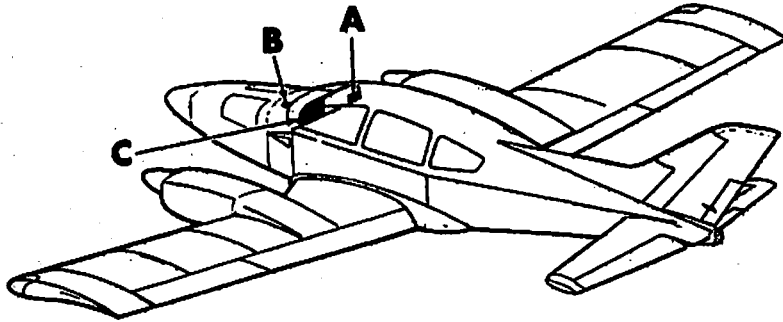
CHAPTER 22

AUTO FLIGHT

TABLE OF CONTENTS

<u>SUBJECT</u>	<u>FIGURE NUMBER</u>
AUTO PILOT INSTALLATION, CENTURY IIB (OPTIONAL)	22-1
AUTO PILOT INSTALLATION, CENTURY III (OPTIONAL)	22-2
ROLL SERVO INSTALLATION	22-3
PITCH SERVO INSTALLATION	22-4
PITCH TRIM SERVO INSTALLATION	22-5

BRUMMAN AMERICAN AVIATION
GA-7/COUGAR
ILLUSTRATED PARTS CATALOG



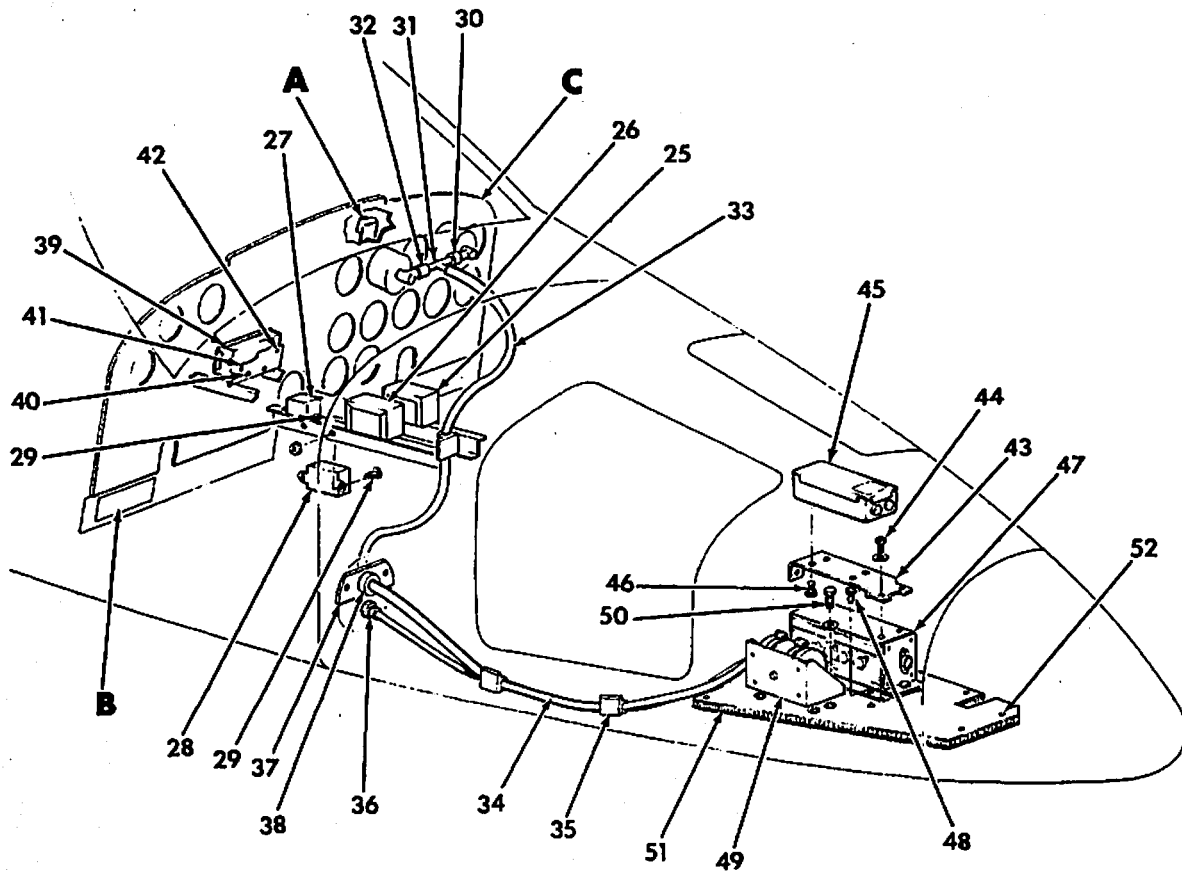
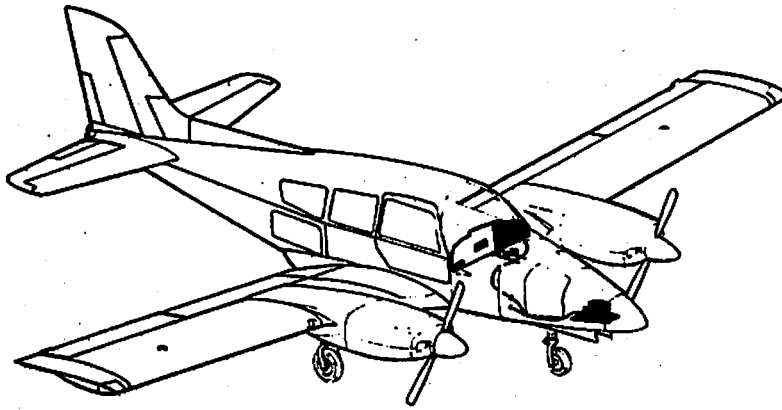
Auto Pilot Installation, Century IIB (Optional)
 Figure 22-1

22G74-01

GRUMMAN AMERICAN AVIATION
GA-7/COUGAR
ILLUSTRATED PARTS CATALOG

Figure & Index No.	Part Number	Nomenclature 1 2 3 4 5 6 7	Units Per Assy	Usable On Code	
22- 1 -	7F10980-1	AUTO PILOT INSTALLATION,CENTURY IIB (WITH..... RADIO COUPLER) (OPTIONAL)	NP		
	7F10980-2	AUTO PILOT INSTALLATION,CENTURY IIB (WITHOUT.... RADIO COUPLER) (OPTIONAL)	NP		
	- 1	MST-205N	.SWITCH (70255) (USED ON 7F10980-1).....	1	
	- 2	5804047-1	.PLACARD,SWITCH (USED ON 7F10980-1).....	1	
	- 3	1C388M	.COUPLER,RADIO (EDD-AIRE MITCHELL) (USED ON..... 7F10980-1)	1	
	- 4	MS35214-24	(ATTACHING PARTS) .SCREW,MACHINE.....	4	
	- 5	52D66M	.GYRO,ATTITUDE (EDD-AIRE MITCHELL)..... (ATTACHING PARTS)	1	
	- 6	MS35214-30	.SCREW,MACHINE.....	2	
	- 7	MS35214-33	.SCREW,MACHINE.....	2	
	- 8	32833-1	.SPACER (EDD-AIRE MITCHELL).....	1	
	- 9	52D54	.GYRO,DIRECTIONAL (EDD-AIRE MITCHELL)..... (ATTACHING PARTS)	1	
	- 10	MS35214-24	.SCREW,MACHINE.....	3	
	- 11	1600-019-050	.CIRCUIT BREAKER (5 AMP) (05231).....	1	
	- 12	1C385	.CONSOLE,AMPLIFIER (EDD-AIRE MITCHELL).....	1	
	- 13	5804050-3	.BRACKET..... (ATTACHING PARTS)	2	
- 14	MS35214-24 MS20364-632	.SCREW,MACHINE..... .NUT, SELF-LOCKING.....	2 2		
- 15	18440 7F10980-53	.FILTER,SIGNAL (EDD-AIRE MITCHELL)..... .ROLL SERVO INSTALLATION (SEE FIGURE 22-3..... FOR DETAIL BREAKDOWN)	1 NP		

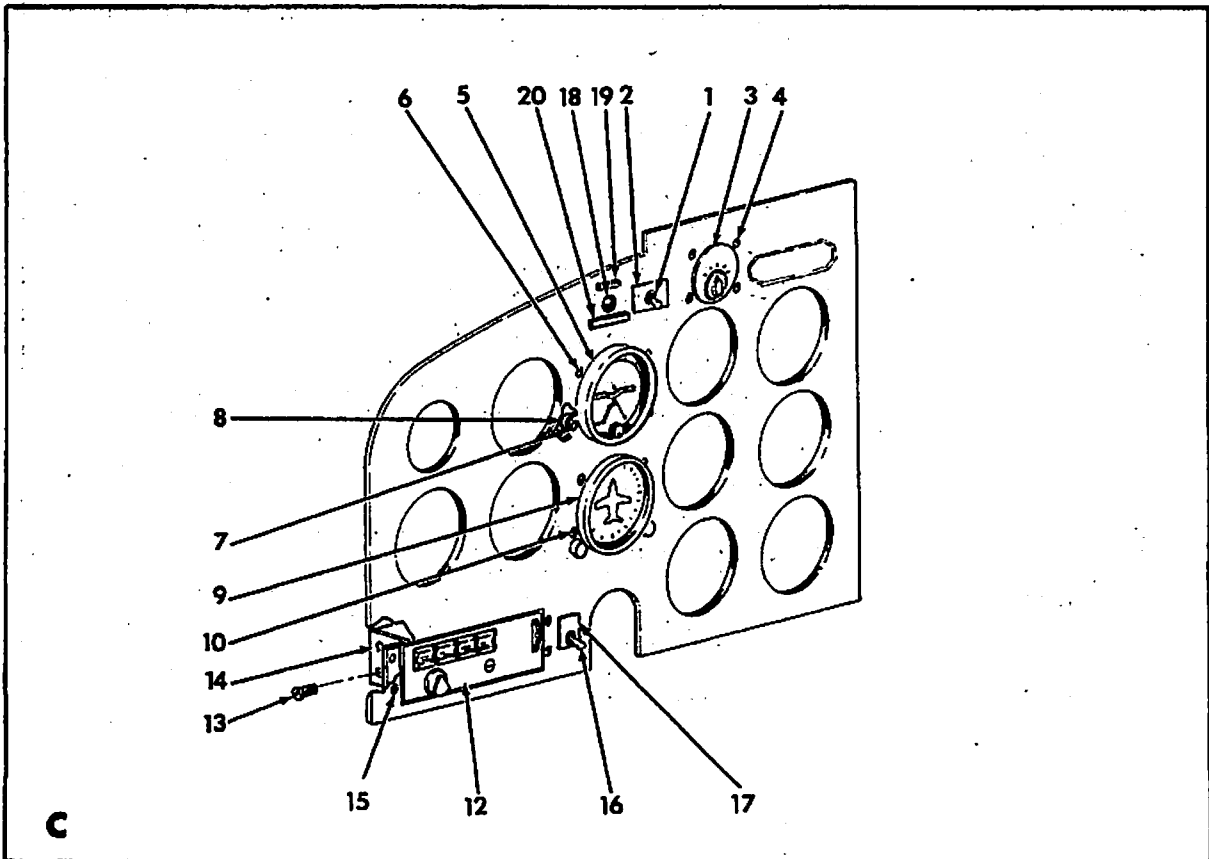
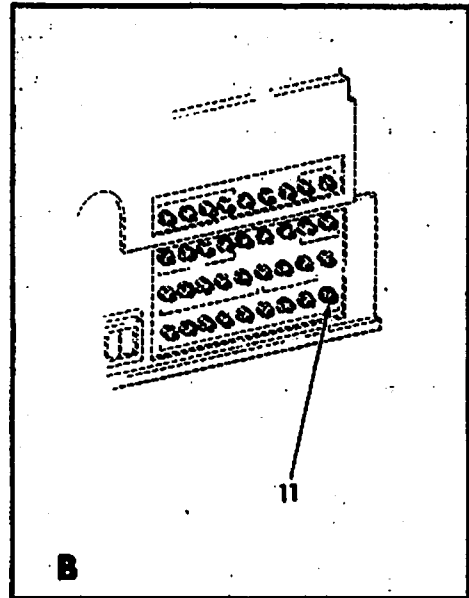
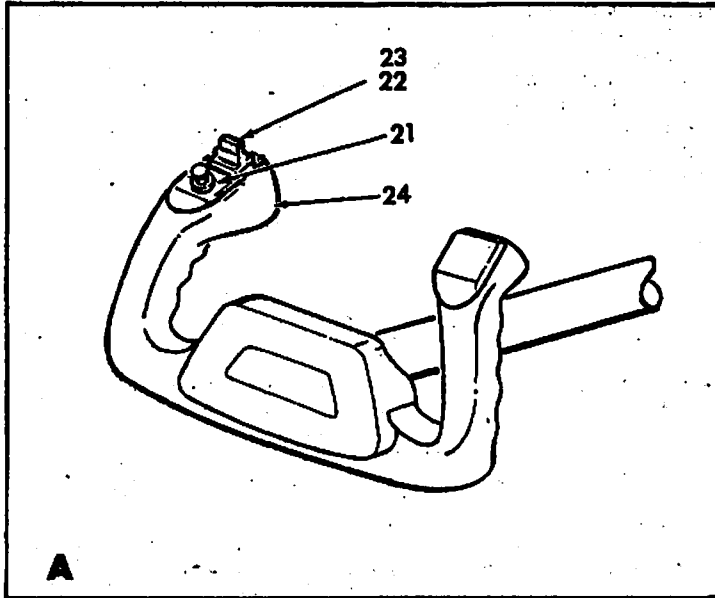
GRUMMAN AMERICAN AVIATION
GA-7/COUGAR
ILLUSTRATED PARTS CATALOG



Auto Pilot Installation, Century III (Optional)
Figure 22-2 (Sheet 1 of 2)

22074-02-1

GRUMMAN AMERICAN AVIATION
GA-7/COUGAR
ILLUSTRATED PARTS CATALOG



Auto Pilot Installation, Century III (Optional)
 Figure 22-2 (Sheet 2 of 2)

22G74-02-2

GRUMMAN AMERICAN AVIATION
GA-7/COUGAR
ILLUSTRATED PARTS CATALOG

Figure & Index No.	Part Number	Nomenclature 1 2 3 4 5 6 7	Units Per Assy	Usable On Code	
22- 2 -	7F10981-1	AUTO PILOT INSTALLATION,CENTURY III.....	NP		
		(WITHOUT RADIO COUPLER) (OPTIONAL)			
	7F10981-2	AUTO PILOT INSTALLATION,CENTURY III (WITH.....	NP		
		RADIO COUPLER) (OPTIONAL)			
	7F10982-1	AUTO PILOT INSTALLATION,CENTURY III (WITH.....	NP		
		GLIDE SLOPE) (OPTIONAL)			
	- 1	MST-205N	.SWITCH (70255) (USED ON 7F10981-2 AND.....	1	
			7F10982-1)		
	- 2	5804047-1	.PLACARD,SWITCH (USED ON 7F10981-2 AND.....	1	
			7F10982-1)		
	- 3	1C388M	.COUPLER,RADIO (EDO-AIRE MITCHELL) (USED ON.....	1	
			7F10981-2 AND 7F10982-1)		
			(ATTACHING PARTS)		
	- 4	MS35214-24	.SCREW,MACHINE.....	4	
	- 5	52D67M	.GYRO,ATTITUDE (EDO-AIRE MITCHELL).....	1	
			(ATTACHING PARTS)		
	- 6	MS35214-30	.SCREW,MACHINE.....	2	
	- 7	MS35214-33	.SCREW,MACHINE.....	2	
	- 8	32B33-1	.SPACER (EDO-AIRE MITCHELL).....	1	
	- 9	52D54	.GYRO,DIRECTIONAL (EDO-AIRE MITCHELL).....	1	
			(ATTACHING PARTS)		
	- 10	MS35214-24	.SCREW,MACHINE.....	3	
	- 11	1600-019-050	.CIRCUIT BREAKER (5 AMP) (05231).....	1	
	- 12	1C404	.CONSOLE,AMPLIFIER (EDO-AIRE MITCHELL).....	1	
			(ATTACHING PARTS)		
	- 13	AN505-4-6	.SCREW.....	4	
		AN365-440	.NUT,SELF-LOCKING.....	4	
- 14	7A659	.BRACKET (EDO-AIRE MITCHELL).....	2		
		(ATTACHING PARTS)			
- 15	MS35214-14	.SCREW,MACHINE.....	2		
	AN365-440	.NUT,SELF-LOCKING.....	2		
- 16	65S49	.SWITCH,CIRCUIT BREAKER (EDO-AIRE MITCHELL).....	1		
- 17	7F10038-41	.PLACARD,SWITCH.....	1		
- 18	30A296-1	.CABLE AND LAMP ASSEMBLY (EDO-AIRE MITCHELL).....	1		
		(USED ON 7F10982-1)			
- 19	13A413	.PLACARD (EDO-AIRE MITCHELL) (USED ON.....	1		
		7F10982-1)			
- 20	13A414	.PLACARD (EDO-AIRE MITCHELL) (USED ON.....	1		
		7F10982-1)			
- 21	13A773	.PLACARD (EDO-AIRE MITCHELL).....	1		
- 22	30C416-20	.SWITCH AND CABLE ASSEMBLY (EDO-AIRE.....	1		
		MITCHELL)			
		(ATTACHING PARTS)			
- 23	MS35198-4	.SCREW.....	2		
- 24	7C10103-3	.WHEEL ASSEMBLY,CONTROL.....	1		
- 25	1A752-1	.RELAY (EDO-AIRE MITCHELL).....	1		
- 26	1A526	.RELAY (EDO-AIRE MITCHELL).....	1		
- 27	1A479	.FILTER,NOISE (EDO-AIRE MITCHELL).....	1		
- 28	1A479-2	.FILTER,NOISE (EDO-AIRE MITCHELL).....	1		
		(ATTACHING PARTS FOR ITEMS 27 AND 28)			
- 29	MS35214-24	.SCREW.....	4		
	MS20365-832	.NUT.....	4		

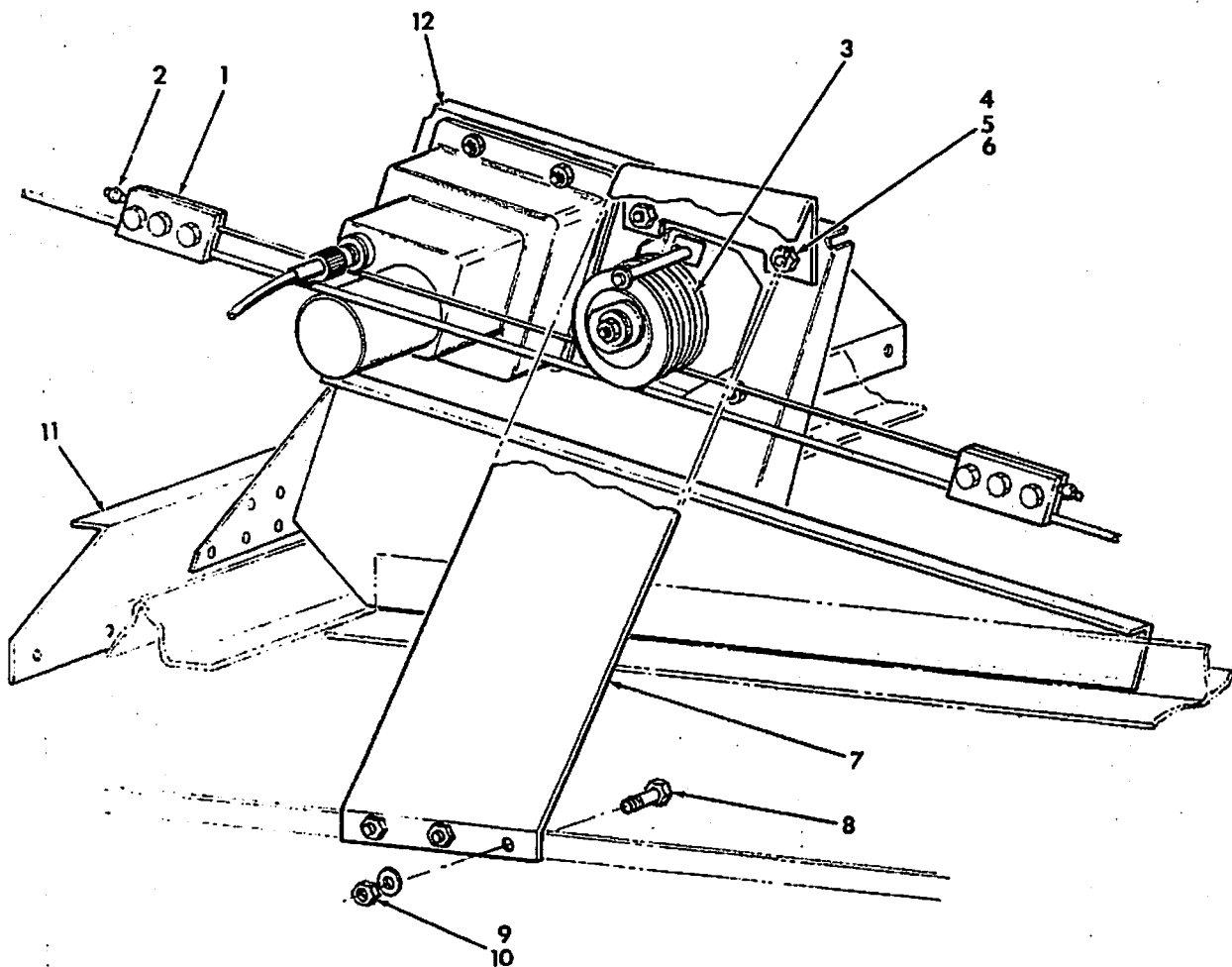
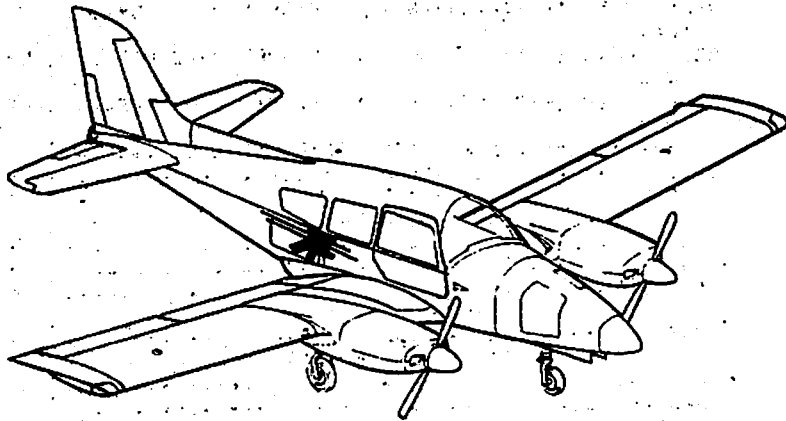
GRUMMAN AMERICAN AVIATION
GA-7/COUGAR
ILLUSTRATED PARTS CATALOG

Figure & Index No.	Part Number	Nomenclature	1 2 3 4 5 6 7							Units Per Assy	Usable On Code
22- 2 - 30	7F10981-56	.TUBE (USED ON 7F10981-1 AND 7F10981-2).....								1	
	7F10982-56	.TUBE (USED ON 7F10982-1).....								1	
- 31	GT51584	.FITTING, TEE.....								1	
- 32	7F10981-57	.TUBE (USED ON 7F10981-1 AND 7F10981-2).....								1	
	7F10982-57	.TUBE (USED ON 7F10982-1).....								1	
- 33	7F10981-55	.TUBE (USED ON 7F10981-1 AND 7F10981-2).....								1	
	7F10982-55	.TUBE (USED ON 7F10982-1).....								1	
- 34	7F10981-54	.TUBE (USED ON 7F10981-1 AND 7F10981-2).....								1	
	7F10982-54	.TUBE (USED ON 7F10982-2).....								1	
- 35	DK-250	.CLAMP (34785).....								3	
- 36	GU50084	.UNION BULKHEAD.....								1	
- 37	7810503-95	.PLATE.....								1	
- 38	Z-2324	.GROMMET (76385).....								1	
- 39	1C493	.COUPLER, GLIDE SLOPE (EDO-AIRE MITCHELL)..... (ATTACHING PARTS)								1	
- 40	AN507-632R6	.SCREW.....								3	
- 41	781380	.BRACKET (EDO-AIRE MITCHELL)..... (ATTACHING PARTS)								1	
- 42	MS35206-243	.SCREW.....								3	
- 43	781449	.BRACKET (EDO-AIRE MITCHELL)..... (ATTACHING PARTS)								1	
- 44	MS35206-229	.SCREW.....								4	
	AN936-A6	.WASHER.....								4	
- 45	1C709-27	.AMPLIFIER, PITCH TRIM (EDO-AIRE MITCHELL)..... (ATTACHING PARTS)								1	
- 46	MS35206-228	.SCREW.....								4	
- 47	1C515-5	.AMPLIFIER (EDO-AIRE MITCHELL)..... (ATTACHING PARTS)								1	
- 48	1601-0410	.RIVET.....								4	
- 49	1C725	.ALTITUDE HOLD (EDO-AIRE MITCHELL)..... (ATTACHING PARTS)								1	
- 50	MS35206-246	.SCREW.....								4	
	AN936-AB	.WASHER.....								4	
	AB-75	.RIVNUT.....								4	
	AN936-A416	.WASHER.....								4	
- 51	7F10132-11	.DECK, AVIONIC..... (ATTACHING PARTS)								1	
- 52	MS35206-249	.SCREW.....								6	
	AN960-8	.WASHER.....								6	
	7F10981-53	.ROLL SERVO INSTALLATION (USED ON 7F10981-1..... AND 7F10981-2) (SEE FIGURE 22-3 FOR DETAIL BREAKDOWN)								RF	
	7F10982-53	.ROLL SERVO INSTALLATION (USED ON 7F10982-1).... (SEE FIGURE 22-3 FOR DETAIL BREAKDOWN)								RF	
	7F10981-51	.PITCH SERVO INSTALLATION (USED ON 7F10981-1..... AND 7F10981-2) (SEE FIGURE 22-4 FOR DETAIL BREAKDOWN)								RF	
	7F10982-51	.PITCH SERVO INSTALLATION (USED ON..... 7F10982-1) (SEE FIGURE 22-4 FOR DETAIL BREAKDOWN)								RF	
	7F10981-52	.PITCH TRIM SERVO INSTALLATION (USED ON..... 7F10981-1 AND 7F10981-2) (SEE FIGURE 22-5 FOR DETAIL BREAKDOWN)								RF	
	7F10982-52	.PITCH TRIM SERVO INSTALLATION (USED ON..... 7F10982-1) (SEE FIGURE 22-5 FOR DETAIL BREAKDOWN)								RF	

GRUMMAN AMERICAN AVIATION
GA-7/COUGAR
ILLUSTRATED PARTS CATALOG

Figure & Index No.	Part Number	Nomenclature							Units Per Assy	Usable On Code	
		1	2	3	4	5	6	7			
22- 3 -	7F10980-53	ROLL SERVO INSTALLATION (SEE FIGURE 22-1 FOR....							NP		
		NHA)									
	7F10981-53	ROLL SERVO INSTALLATION (SEE FIGURE 22-2 FOR....							NP		
		NHA)									
	7F10982-53	ROLL SERVO INSTALLATION (SEE FIGURE 22-2 FOR....							NP		
		NHA)									
	- 1	42A173-1	.CLAMP ASSEMBLY,CABLE (EDO-AIRE MITCHELL).....							2	
	- 2	30R517-4	.CABLE, BRIDLE (EDO-AIRE MITCHELL).....							1	
	- 3	1C363-1-635R	.SERVO,ROLL (EDO-AIRE MITCHELL).....							1	
			(ATTACHING PARTS)								
	- 4	AN3-4A	.BOLT.....							4	
- 5	AN960-10	.WASHER.....							4		
- 6	MS20365-1032	.NUT.....							4		
- 7	7C1770	.BRACKET (EDO-AIRE MITCHELL).....							1		
		(ATTACHING PARTS)									
- 8	MS20365-1032C	.NUT.....							2		
- 9	AN960-10	.WASHER.....							2		
- 10	GAES200-6	.STUD.....							2		
	GAES200-8	.CAP.....							2		
- 11	7C1773	.BRACKET (EDO-AIRE MITCHELL).....							1		

GRUMMAN AMERICAN AVIATION
GA-7/COUGAR
ILLUSTRATED PARTS CATALOG



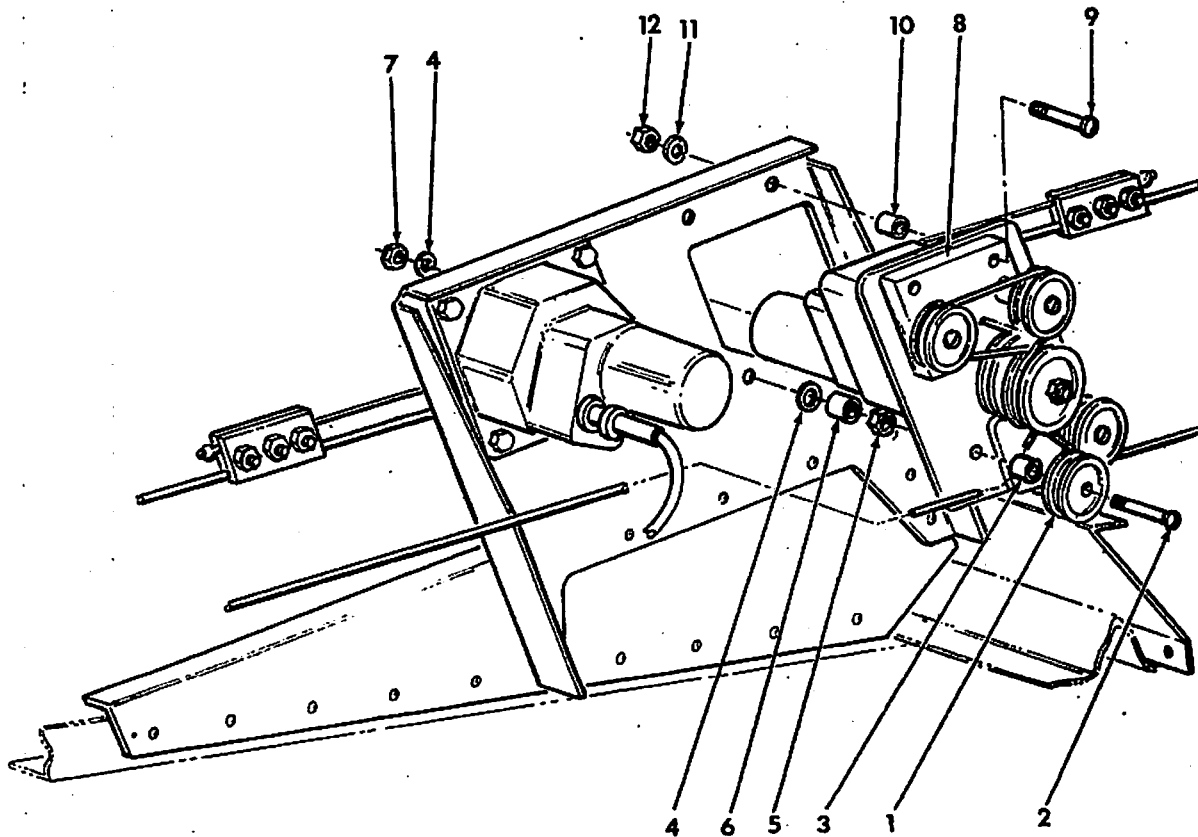
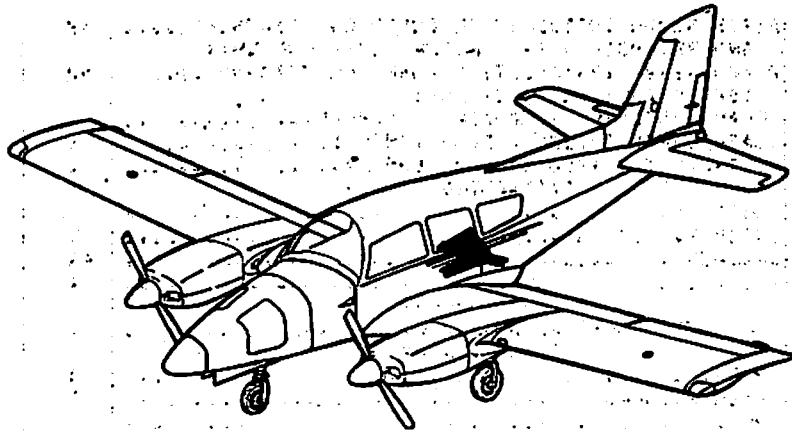
Pitch Servo Installation
Figure 22-4

22G74-04

GRUMMAN AMERICAN AVIATION
GA-7/COUGAR
ILLUSTRATED PARTS CATALOG

Figure & Index No.	Part Number	Nomenclature	Units	Usable On Code	
			Per Assy		
		1 2 3 4 5 6 7			
22- 4 -	7F10981-51	PITCH SERVO INSTALLATION (USED ON 7F10981-1..... AND 7F10981-2) (SEE FIGURE 22-2 FOR NHA)	NP		
	7F10982-51	PITCH SERVO INSTALLATION (USED ON 7F10982-1).... (SEE FIGURE 22-2 FOR NHA)	NP		
	- 1	42A173-1	.CLAMP ASSEMBLY (EDO-AIRE MITCHELL).....	2	
	- 2	30B253	.CABLE, BRIDLE (EDO-AIRE MITCHELL).....	1	
	- 3	1C508-1-635P	.SERVO, PITCH (EDO-AIRE MITCHELL)..... (ATTACHING PARTS)	1	
	- 4	AN3-6A	.BOLT.....	4	
	- 5	AN960-10	.WASHER.....	AR	
		AN960-10L	.WASHER.....	AR	
	- 6	MS20365-1032	.NUT.....	4	
	- 7	TD1836	.BRACKET (EDO-AIRE MITCHELL)..... (ATTACHING PARTS)	1	
	- 8	AN525-832-R8	.SCREW.....	3	
	- 9	AN936-A8	.WASHER, LOCK.....	3	
- 10	AN365-832	.NUT.....	3		
- 11	7C1769	.BRACKET (EDO-AIRE MITCHELL).....	1		
- 12	81D332	.BRACKET ASSEMBLY (EDO-AIRE MITCHELL).....	1		

GRUMMAN AMERICAN AVIATION
GA-7/COUGAR
ILLUSTRATED PARTS CATALOG



Pitch Trim Servo Installation
Figure 22-5

22G74-05

GRUMMAN AMERICAN AVIATION
GA-7/COUGAR
ILLUSTRATED PARTS CATALOG

Figure & Index No.	Part Number	Nomenclature	Units Per Assy	Usable On Code		
					1	2
22- 5 -	7F10981-52	PITCH TRIM SERVO INSTALLATION (USED ON..... 7F10981-1 AND 7F10981-2) (SEE FIGURE 22-2 FOR NHA)	NP			
	7F10982-52	PITCH TRIM SERVO INSTALLATION (USED ON..... 7F10982-1) (SEE FIGURE 22-2 FOR NHA)	NP			
	7C10150-28	.CABLE ASSEMBLY (NOT SHOWN) (REPLACES..... 7C10150-22) (REFER TO CHAPTER 27)	1			
	- 1	MS24546-1B	.PULLEY..... (ATTACHING PARTS)	2		
	- 2	MS35207-272	.SCREW (USED ON FORWARD PULLEY).....	1		
		MS35207-271	.SCREW (USED ON AFT PULLEY).....	1		
	- 3	NAS43003-36	.SPACER (USED ON FORWARD PULLEY).....	1		
		NAS43003-26	.SPACER (USED ON AFT PULLEY).....	1		
	- 4	AN960-10	.WASHER.....	AR		
		AN960-10L	.WASHER.....	AR		
	- 5	MS35650-302	.NUT.....	1		
	- 6	NAS43003-20	.SPACER.....	1		
- 7	20365-1032	.NUT.....	1			
- 8	1C373-6-635	.SERVO, PITCH TRIM (EDD-AIRE MITCHELL)..... (ATTACHING PARTS)	1			
- 9	MS35206-251	.SCREW.....	2			
- 10	NAS43003-32	.SPACER.....	2			
- 11	AN960-8	.WASHER.....	AR			
- 12	MS20365-832	.NUT.....	2			

UNITED STATES DEPARTMENT OF JUSTICE
FEDERAL BUREAU OF INVESTIGATION
WASHINGTON, D. C. 20535

MEMORANDUM
TO : SAC, NEW YORK
FROM : SAC, NEW YORK
SUBJECT: [Illegible]

[Illegible typed text]

[Illegible typed text]



GRUMMAN AMERICAN AVIATION
GA-7/COUGAR
ILLUSTRATED PARTS CATALOG

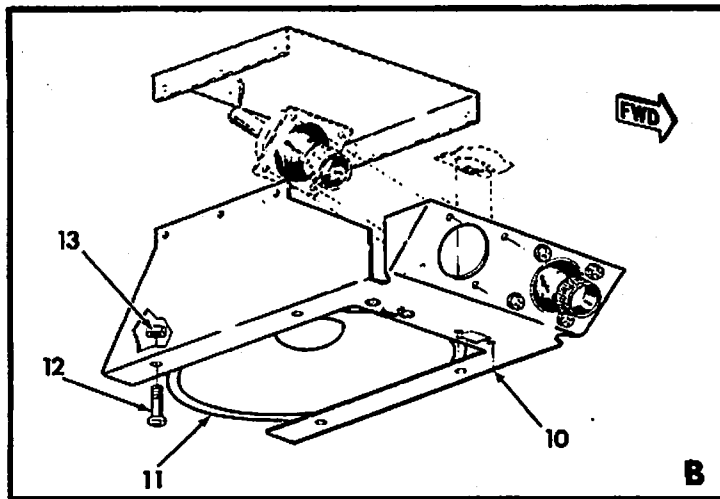
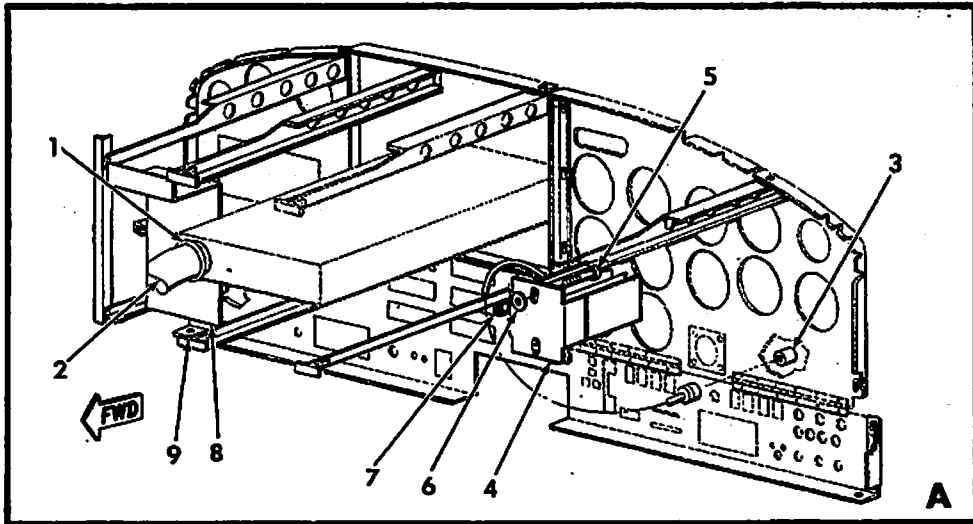
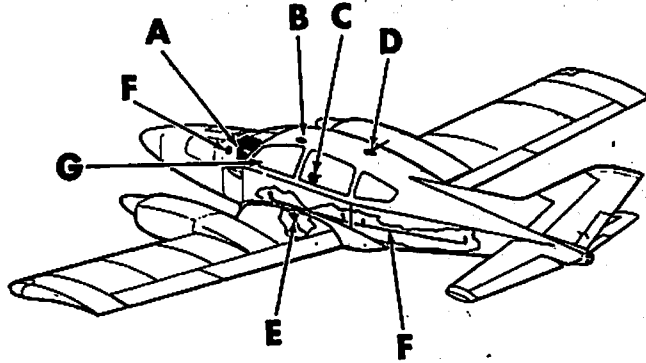
CHAPTER 23

COMMUNICATIONS

TABLE OF CONTENTS

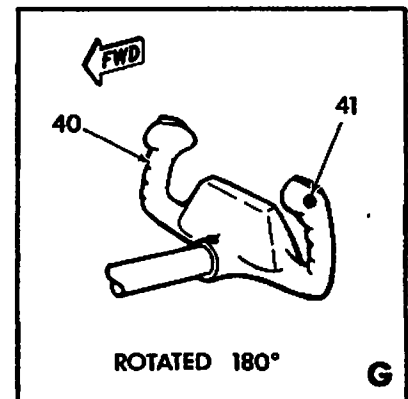
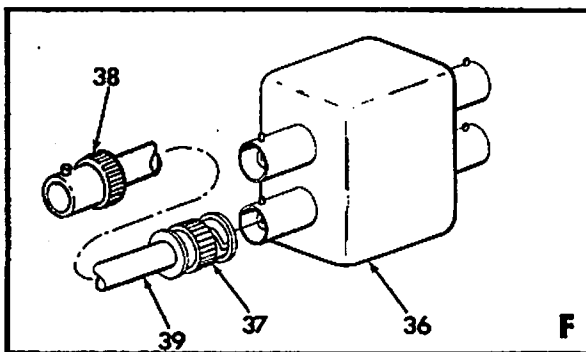
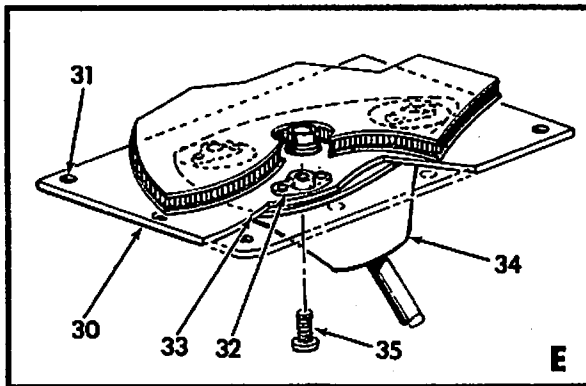
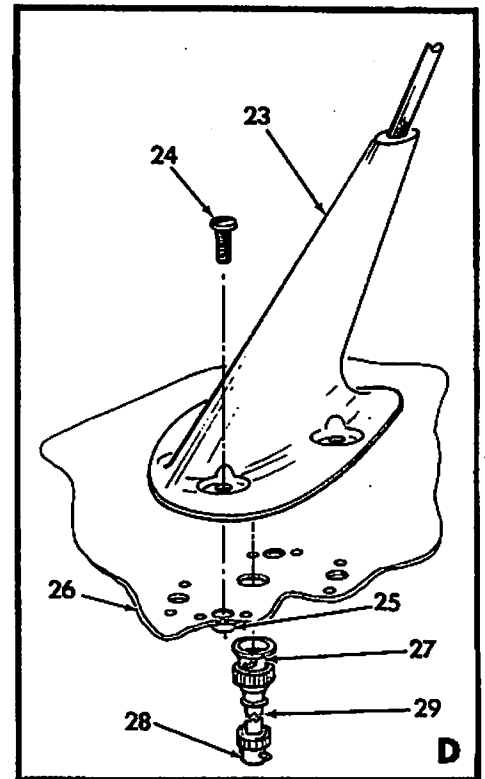
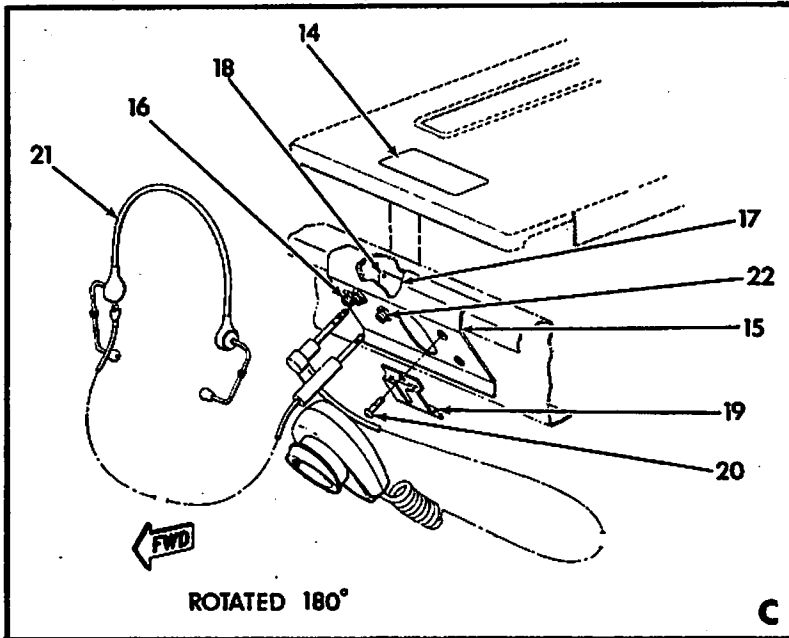
<u>SUBJECT</u>	<u>FIGURE NUMBER</u>
COMMUNICATIONS EQUIPMENT, OPTIONS 1 AND 3	23-1
COMMUNICATIONS EQUIPMENT OPTIONS, NARCO	23-2
COMMUNICATIONS EQUIPMENT OPTIONS, COLLINS	23-3
CASE ASSEMBLY, VHF251 TRANSCEIVER (OPTIONAL)	23-4
COMMUNICATIONS EQUIPMENT OPTIONS, KING	23-5
COMMUNICATIONS EQUIPMENT OPTIONS, EMERGENCY LOCATOR TRANSMITTER	23-6

GRUMMAN AMERICAN AVIATION
GA-7/COUGAR
ILLUSTRATED PARTS CATALOG



Communications Equipment, Options 1 and 3
 Figure 23-1 (Sheet 1 of 2)

A23074-01-1



Communications Equipment, Options 1 and 3
 Figure 23-1 (Sheet 2 of 2)

A23074-01-2

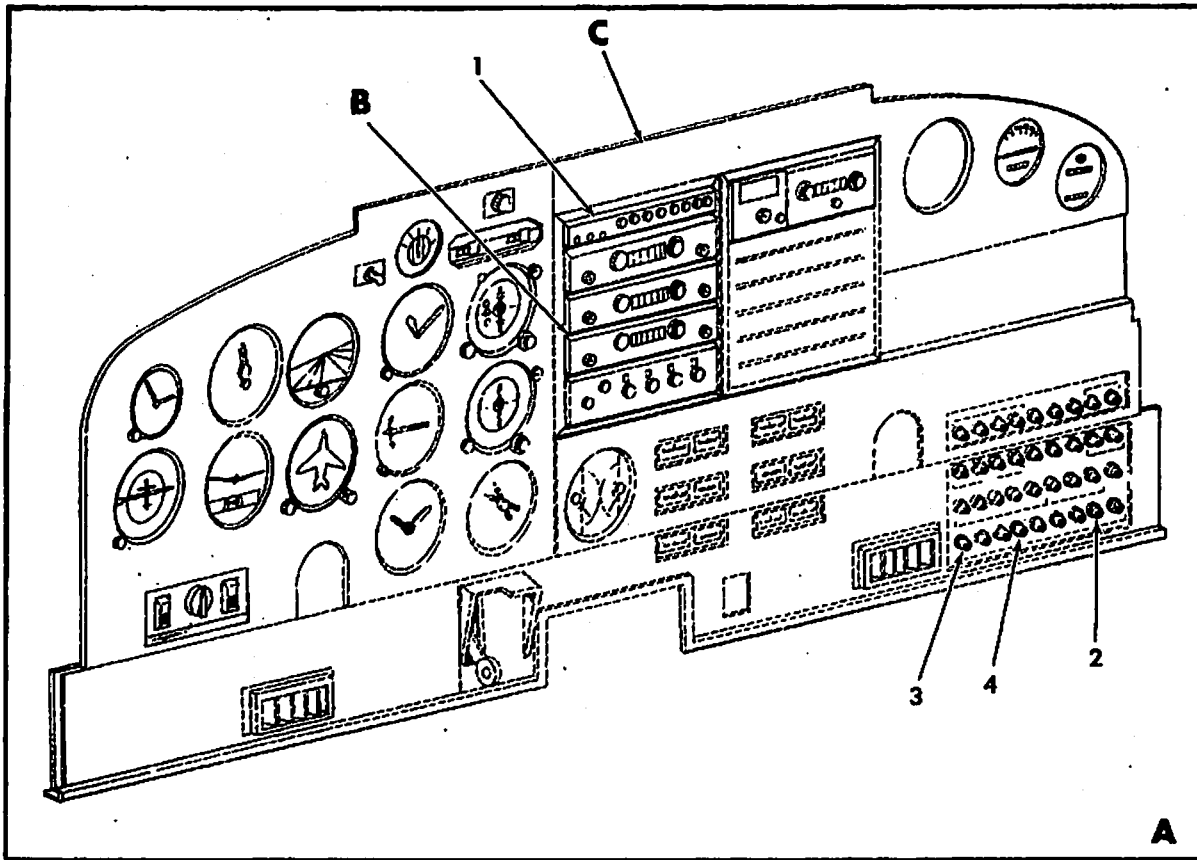
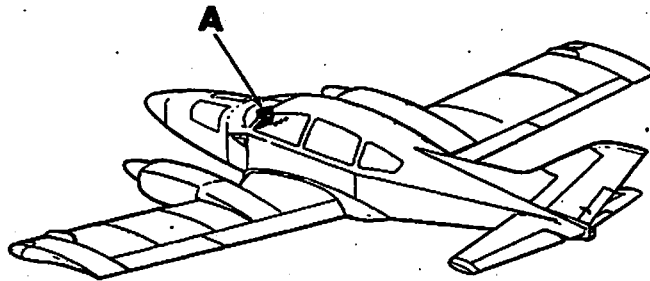
GRUMMAN AMERICAN AVIATION
GA-7/COUGAR
ILLUSTRATED PARTS CATALOG

Figure & Index No.	Part Number	Nomenclature 1 2 3 4 5 6 7	Units Per Assy	Usable On Code
23- 1 -	7AV10700-1	COMMUNICATIONS EQUIPMENT, OPTIONS 1 AND..... 3 (REFER TO CHAPTER 34 FOR NAVIGATION EQUIPMENT OPTIONS)	NP	R
	7AV10701-1	..COMMUNICATIONS OPTION 1 (NARCO EQUIPMENT).....	RF	R
	7AV10701-5	..COMMUNICATIONS OPTION 5 (KING EQUIPMENT).....	RF	R
	7AV10710-1	..COOLING KIT INSTALLATION, RADIO (OPTIONAL).....	RF	R
- 1	A13	..CLAMP, HOSE (05657).....	1	R
- 2	91024-1	..TUBING, FLEXIBLE (93493).....	AR	R
	7AV10733-1	..DIMMER INSTALLATION, RADIO LIGHTING..... (OPTIONAL)	RF	R
- 3	1903-1L	..KNOB, CONTROL (75376).....	1	R
- 4	800319-1	..DIMMER (31722)..... (ATTACHING PARTS)	1	R
- 5	MS35206-247	..SCREW, MACHINE.....	2	R
- 6	AN960-8L	..WASHER, FLAT.....	2	R
- 7	MS20364-832	..NUT, SELF-LOCKING.....	2	R
	7AV10732-1	..JUNCTION BOX INSTALLATION, RADIO	RF	R
- 8	7F10612-7	..BRACKET.....	1	R
- 9	7F10131-23	..SHIM.....	1	R
	7AV10705-1	..SPEAKER INSTALLATION, RADIO (OPTIONAL).....	RF	R
- 10	7F10616-1	..BRACKET ASSEMBLY, SPEAKER.....	1	R
- 11	7208-1137	..SPEAKER, RADIO, 4.0 OHMS, 15 WATT (84792).... (ATTACHING PARTS)	1	R
- 12	MS35206-265	..SCREW, MACHINE.....	4	R
- 13	MS20364-1032	..NUT, SELF-LOCKING.....	4	R
	7AV10704-1	..MICROPHONE INSTALLATION, RADIO (OPTIONAL)....	RF	R
- 14	7F10038-59	..PLACARD.....	1	R
- 15	7F10313-1	..BRACKET ASSEMBLY, MICROPHONE.....	1	R
- 16	901062-1	..JACK, MICROPHONE.....	1	R
- 17	7AV10704-11	..RUB STRIP..... (ATTACHING PARTS)	1	R
- 18	1601-0412	..RIVET (19738).....	4	R
- 19	M700B	..MICROPHONE AND BRACKET ASSEMBLY (93493).... (ATTACHING PARTS)	1	R
- 20	MS35206-230	..SCREW, MACHINE.....	2	R
	7AV10706-1	..HEADPHONE INSTALLATION (OPTIONAL).....	RF	R
- 21	HTW-2	..HEADPHONE (59446).....	1	R
- 22	JJ034	..JACK, HEADPHONE (82389).....	1	R
	7AV10707-2	..ANTENNA INSTALLATION, COMMUNICATIONS, UPPER FUSELAGE (COM 1)	RF	R
- 23	DMC70-1	..ANTENNA (85226)..... (ATTACHING PARTS)	1	R
- 24	MS24694-8	..SCREW, MACHINE.....	4	R
- 25	MS21069-08	..PLATE, NUT..... (ATTACHING PARTS)	4	R
- 26	MS20426DD3	..RIVET.....	2	R
	7AV10708-2	..CABLE ASSEMBLY, COMMUNICATIONS ANTENNA, UPPER FUSELAGE	1	R
- 27	331350-1	..CONNECTOR, RADIO FREQUENCY, TYPE BNC..... (02660)	1	R
- 28	331351-1	..CONNECTOR, RADIO FREQUENCY, TYPE BNC..... (02660)	1	R
- 29	RG58A/U	..CABLE, COAXIAL, RF, 50 OHM.....	AR	R

GRUMMAN AMERICAN AVIATION
GA-7/COUGAR
ILLUSTRATED PARTS CATALOG

Figure & Index No.	Part Number	Nomenclature							Units Per Assy	Usable On Code	
		1	2	3	4	5	6	7			
23- 1 - 29	7AV10701-3	..COMMUNICATIONS OPTION 3.....							1	R R R R R R R R R R R R R R	
	7AV10707-8	..ANTENNA INSTALLATION, COMMUNICATIONS, LOWER FUSELAGE (COM 2).....							RF*		
	- 30	7AV10920-1	...DOUBLER ASSEMBLY.....								1
	- 31	1601-0410	...RIVET (19738).....								9
	- 32	MS21069-3	...PLATE, NUT.....								3
	- 33	NAS1097A03	...RIVET.....								2
	- 34	DMC63-2	...ANTENNA (85266).....								1
	- 35	MS24694-50	...SCREW, MACHINE.....								3
	- 36	AV571	..TRIPLEXER (02833).....								1
		7AV10709-12	..CABLE ASSEMBLY, COMMUNICATIONS ANTENNA, LOWER FUSELAGE.....								1
	- 37	331350-1	...CONNECTOR, RADIO FREQUENCY, TYPE BNC..... (02660)								1
	- 38	331351-1	...CONNECTOR, RADIO FREQUENCY, TYPE RNC..... (02660)								1
	- 39	RG58A/U	...CABLE, COAXIAL, RF, 50 OHM.....								AR
	- 40	7C10103-9	..WHEEL ASSEMBLY, CONTROL WITH REMOTE..... MICROPHONE SWITCH (OPTIONAL) (SEE CHAPTER 22 FOR DETAIL BREAKDOWN)								1
- 41	601-4300	..SWITCH, PB, REMOTE MICROPHONE (81579).....							1		

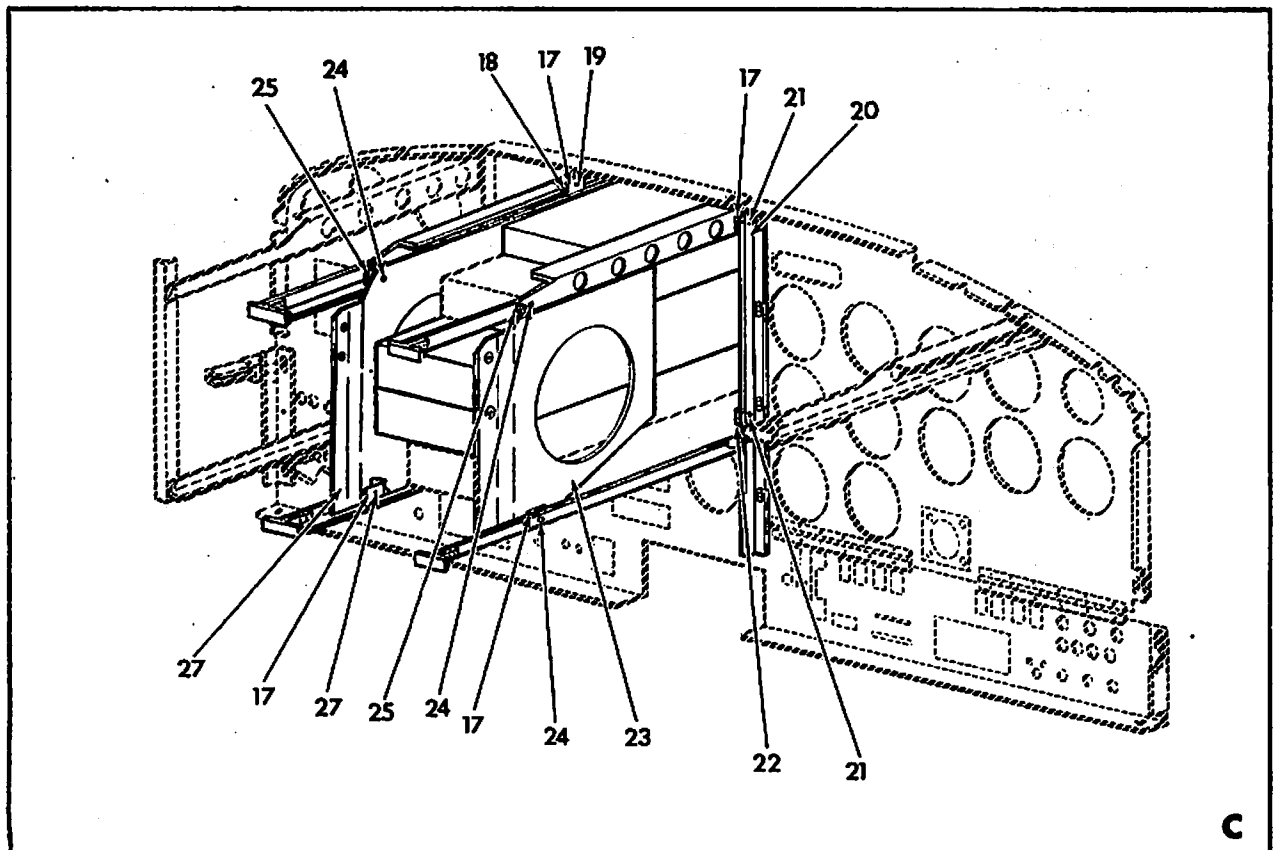
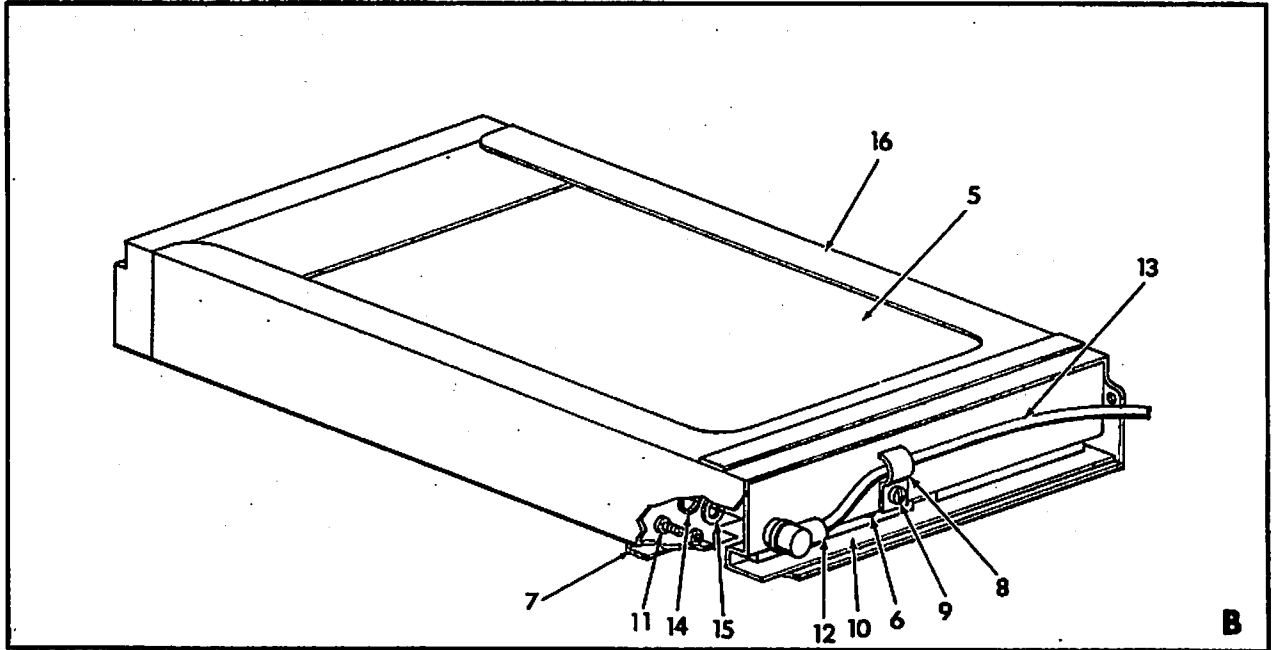
GRUMMAN AMERICAN AVIATION
GA-7/COUGAR
ILLUSTRATED PARTS CATALOG



Communications Equipment Options, NARCO
Figure 23-2 (Sheet 1 of 2)

A23G74-02-1

GRUMMAN AMERICAN AVIATION
GA-7/COUGAR
ILLUSTRATED PARTS CATALOG



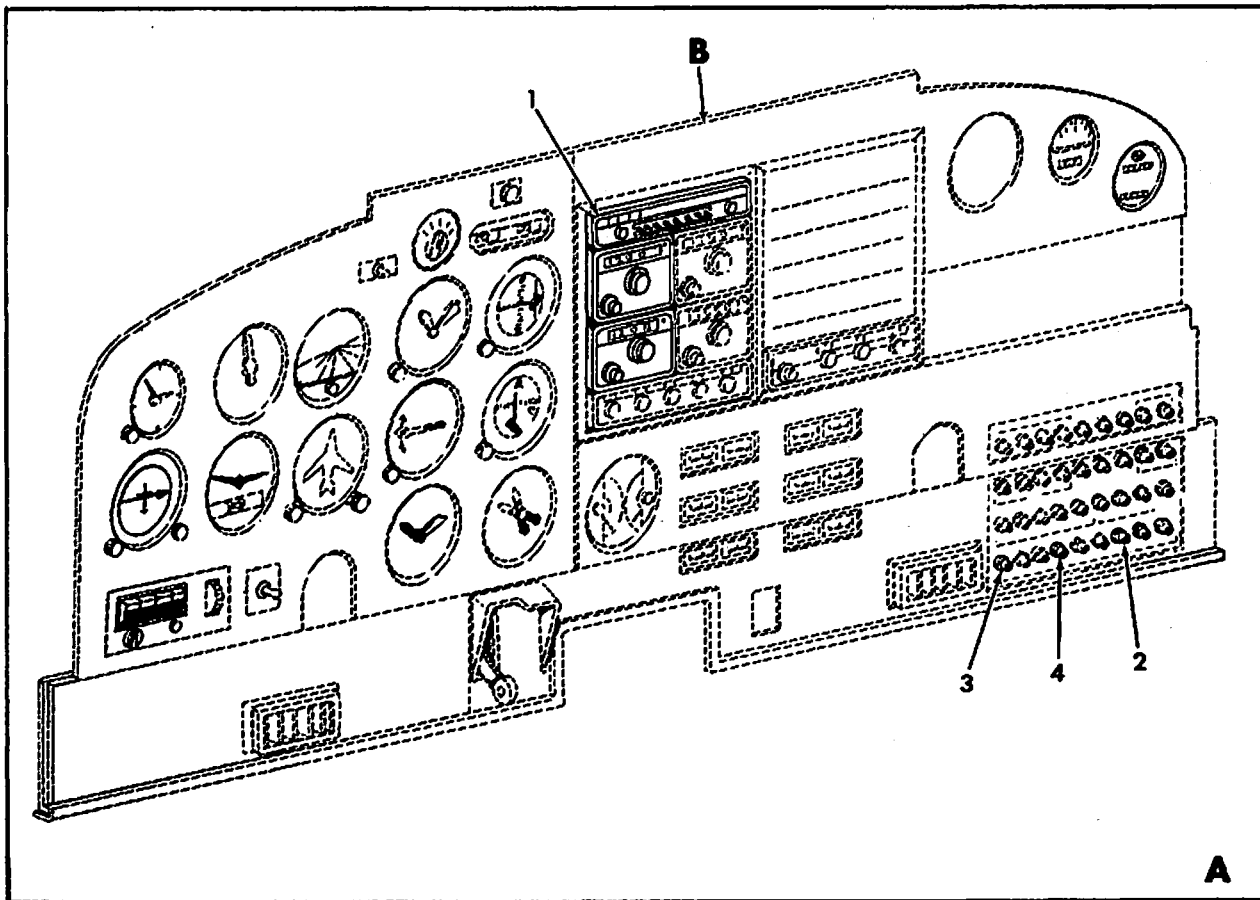
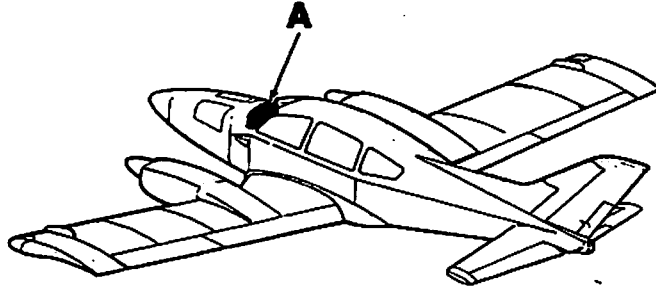
Communications Equipment Options, NARCO
 Figure 23-2 (Sheet 2 of 2)

A23G74-02-2

GRUMMAN AMERICAN AVIATION
GA-7/COUGAR
ILLUSTRATED PARTS CATALOG

Figure & Index No.	Part Number	Nomenclature	Units Per Assy	Usable On Code
23- 2 -	7AV10700-1	COMMUNICATIONS EQUIPMENT OPTIONS, MARCO.....	NP	R
	7AV10720-1	..CP135 AUDIO/MARKER CONTROL PANEL.....	RF	R
		INSTALLATION (OPTIONAL)		R
- 1	CP135	..AUDIO/MARKER CONTROL PANEL (93493).....	1	R
		(REFER TO MARCO PARTS MANUAL FOR DETAIL BREAKDOWN)		R
- 2	MP1600T5	..CIRCUIT BREAKER, AUDIO/MARKER PANEL.....	1	R
		5 AMP (05231)		R
	7AV10711-3	..COM 120 VHF COMMUNICATIONS TRANSCEIVER.....	RF	R
		INSTALLATION (OPTIONAL FOR BOTH COM 1 AND COM 2)		R
- 3	MP1600T5	..CIRCUIT BREAKER, COM 1, 5 AMP (05231).....	1	R
- 4	MP1600T5	..CIRCUIT BREAKER, COM 2, 5 AMP (05231).....	1	R
- 5	COM 120	..TRANSCEIVER, VHF COMMUNICATIONS (93493).....	2	R
		(OPTIONAL) (REFER TO MARCO PARTS MANUAL FOR DETAIL BREAKDOWN)		R
	7AV10709-3	..CASE ASSEMBLY, COM 120.....	1	R
- 6	NO NUMBER	..RESISTOR CARBON, 1.5K OHMS, 1/2 WATT, PDRM 10 PCT (44655) (LOCATED BETWEEN PINS 7 AND 8 WHERE CP135 IS NOT INSTALLED)	1	R
- 7	A99090-0002	..PAD, SPACER (93493).....	4	R
- 8	M82010-0014	..CLAMP, CABLE (93493).....	1	R
- 9	K82815-0007	..SCREW (93493).....	1	R
	K81329-0006	..WASHER (93493).....	1	R
	M81503-0004	..NUT (93493).....	1	R
- 10	841316-0007	..HOUSING, CONNECTOR (93493).....	1	R
		(ATTACHING PARTS)		R
- 11	A82814-0008	..SCREW (93493).....	2	R
	M81324-0004	..WASHER (93493).....	2	R
- 12	A41317-0001	..CONTACT (93493).....	15	R
- 13	B90701-0102	..CABLE ASSEMBLY (93493).....	1	R
- 14	C81192-0024	..RING, RETAINING (93493).....	1	R
- 15	M81307-0112	..WASHER (93493).....	1	R
- 16	55980-0101	..TRAY, RADIO (93493).....	1	R
	Q3218	..KIT, INSTALLATION, COM 120 CASE ASSEMBLY.....	1	R
		(93493) (CONSISTS OF INDEX NUMBERS 6 THROUGH 15)		R
	7AV10701-1	..COMMUNICATIONS OPTION 1 (SEE FIGURE 23-1.....	RF	R
		FOR NHA)		R
- 17	7F10131-20	..SPACER, RADIO MOUNTING.....	5	R
- 18	7F10131-12	..SUPPORT, RADIO MOUNTING, RH.....	1	R
		(ATTACHING PARTS)		R
- 19	1601-0410	..RIVET (19738).....	2	R
- 20	7F10131-11	..SUPPORT, RADIO MOUNTING, LH.....	1	R
		(ATTACHING PARTS)		R
- 21	1601-0410	..RIVET (19738).....	2	R
- 22	7F10131-19	..SPACER, RADIO MOUNTING.....	1	R
- 23	7F10131-17	..SUPPORT, FWD RADIO MOUNTING, LH.....	1	R
		(ATTACHING PARTS)		R
- 24	1601-0410	..RIVET (19738).....	2	R
- 25	7F10131-21	..SPACER, RADIO MOUNTING.....	2	R
- 26	7F10131-18	..SUPPORT, FWD RADIO MOUNTING, RH.....	1	R
		(ATTACHING PARTS)		R
- 27	1601-0410	..RIVET (19738).....	2	R

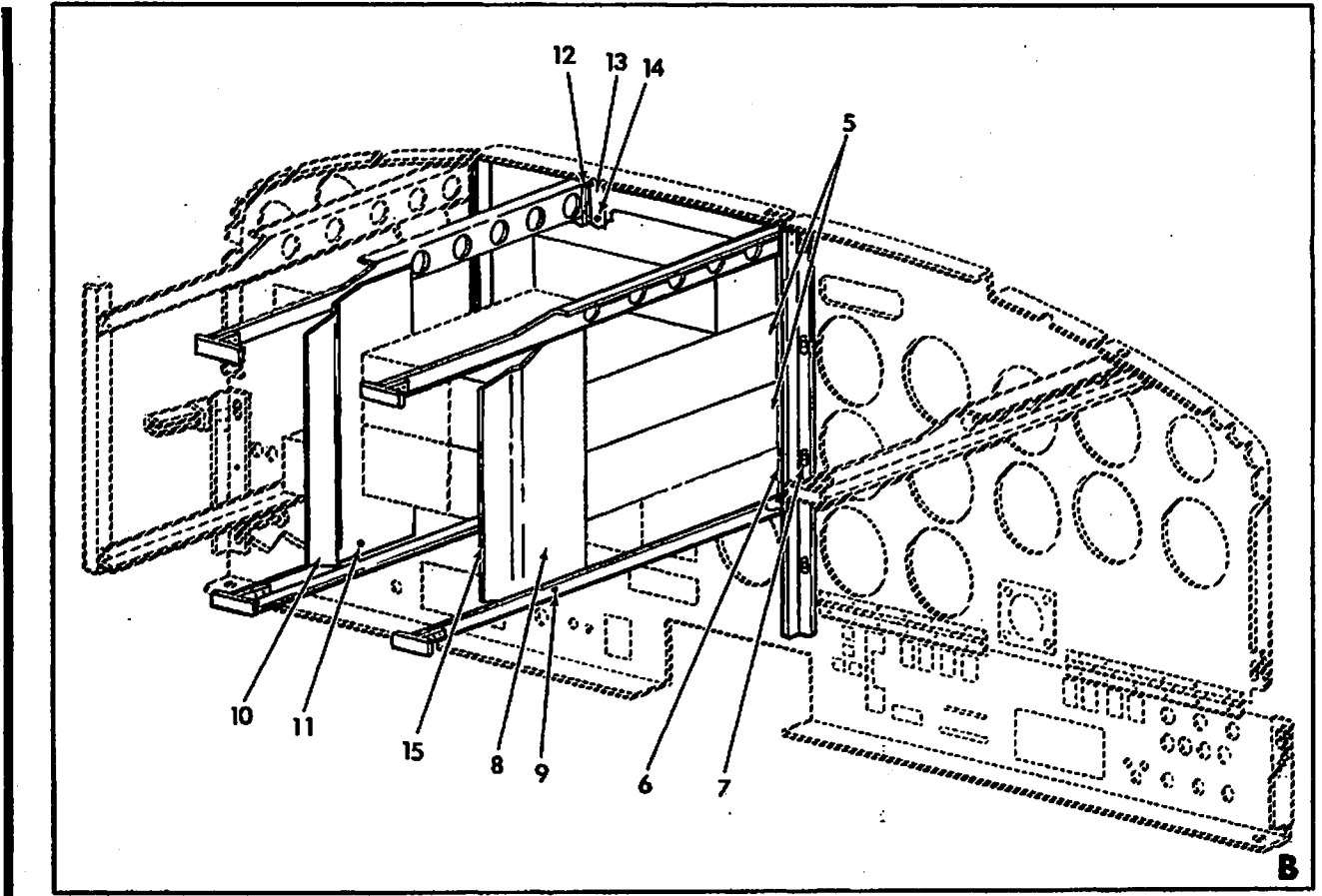
GRUMMAN AMERICAN AVIATION
GA-7/COUGAR
ILLUSTRATED PARTS CATALOG



Communications Equipment Options, Collins
Figure 23-3 (Sheet 1 of 2)

A23G74-03-1

GRUMMAN AMERICAN AVIATION
GA-7/COUGAR
ILLUSTRATED PARTS CATALOG

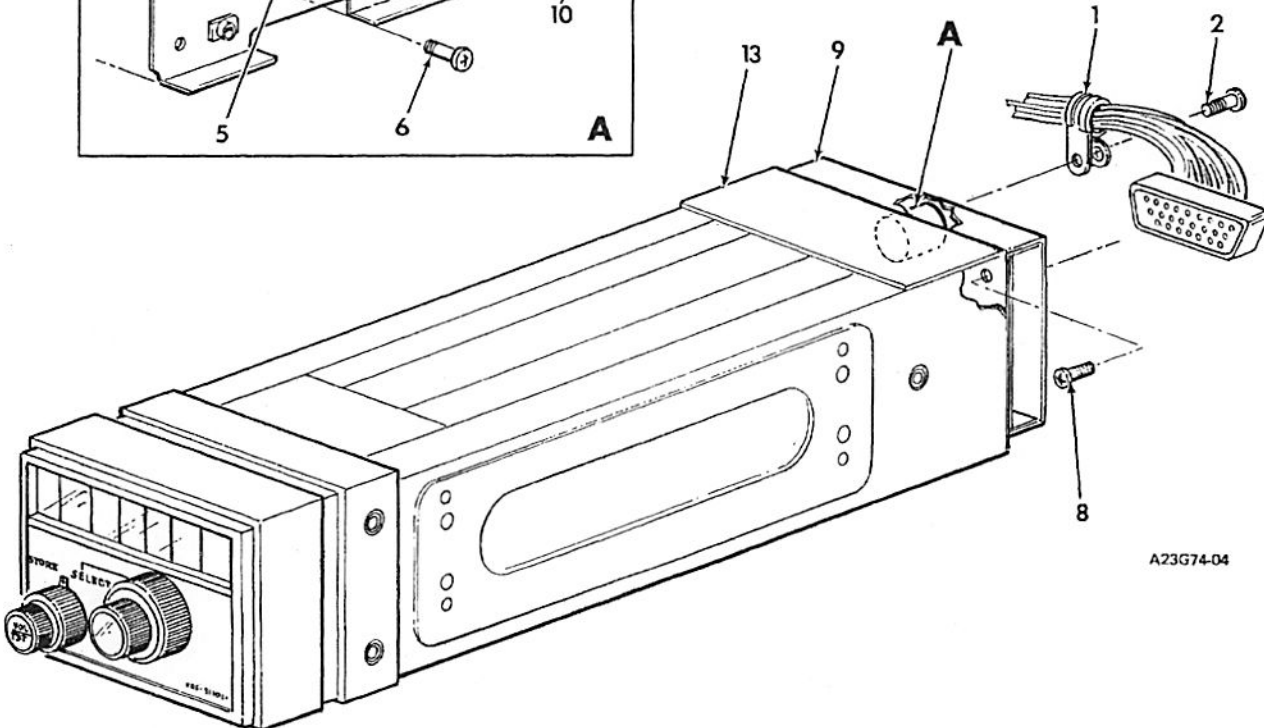
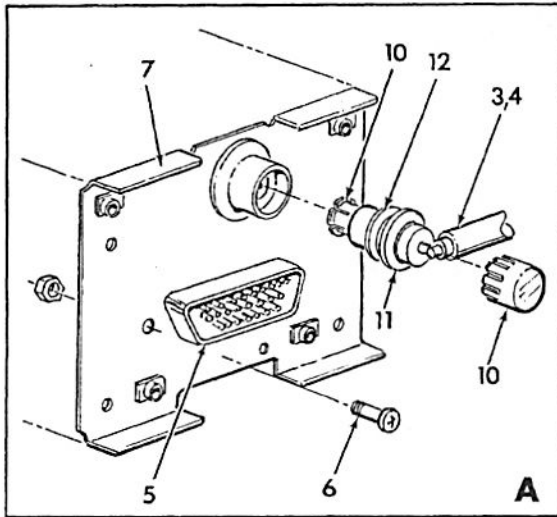
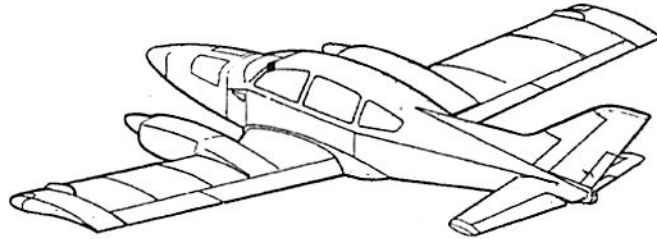


Communications Equipment Options, Collins
Figure 23-3 (Sheet 2 of 2)

A23G74-03-2

GRUMMAN AMERICAN AVIATION
GA-7/COUGAR
ILLUSTRATED PARTS CATALOG

Figure & Index No.	Part Number	Nomenclature	1 2 3 4 5 6 7							Units Per Assy	Usable On Code
			1	2	3	4	5	6	7		
23- 3 -	7AV10700-1	COMMUNICATIONS EQUIPMENT OPTIONS, COLLINS.....								NP	R R R R R R R R R R R R R R R
	7AV10740-1	..COMMUNICATIONS SYSTEM INSTALLATION, COLLINS... (OPTIONAL)								RF	
	7AV10740-13	..AMR350 AUDIO/MARKER CONTROL PANEL..... INSTALLATION (OPTIONAL)								RF	
	- 1	AMR350	...AUDIO/MARKER CONTROL PANEL (13499)..... (REFER TO COLLINS PARTS MANUAL FOR DETAIL BREAKDOWN)							1	
	- 2	MP1600T5	...CIRCUIT BREAKER, AUDIO/MARKER PANEL..... 5 AMP (05231)							1	
		7AV10740-3	..VHF 251 VHF COMMUNICATIONS TRANSCEIVER..... INSTALLATION (OPTIONAL FOR BOTH COM 1 AND COM 2)							RF	
	- 3	MP1600T5	...CIRCUIT BREAKER, COM 1, 5 AMP (05231).....							1	
	- 4	MP1600T5	...CIRCUIT BREAKER, COM 2, 5 AMP (05231).....							1	
	- 5	VHF251	...TRANSCEIVER, VHF COMMUNICATIONS (13499)..... (OPTIONAL) (REFER TO COLLINS PARTS MANUAL FOR DETAIL BREAKDOWN)							2	
	- 6	7F10133-13	...SHIM, RADIO MOUNTING, LH..... (ATTACHING PARTS)							1	
	- 7	MS20426AD4	...RIVET.....							6	
	- 8	7F10133-11	...MOUNTING, RADIO, REAR, LH..... (ATTACHING PARTS)							1	
	- 9	1601-0410	...RIVET (19738).....							3	
	- 10	7F10133-12	...MOUNTING, RADIO, REAR, RH..... (ATTACHING PARTS)							1	
	- 11	1601-0410	...RIVET (19738).....							3	
- 12	7F10133-15	...SHIM, RADIO MOUNTING.....							1		
- 13	7F10133-14	...SHIM, RADIO MOUNTING..... (ATTACHING PARTS FOR INDEX NUMBERS 12 AND 13)							1		
- 14	MS20426AD4	...RIVET.....							4		
- 15	7AV10741-1	...CASE ASSEMBLY, VHF251 VHF TRANSCEIVER..... (SEE FIGURE 23-4 FOR DETAIL BREAKDOWN)							1		



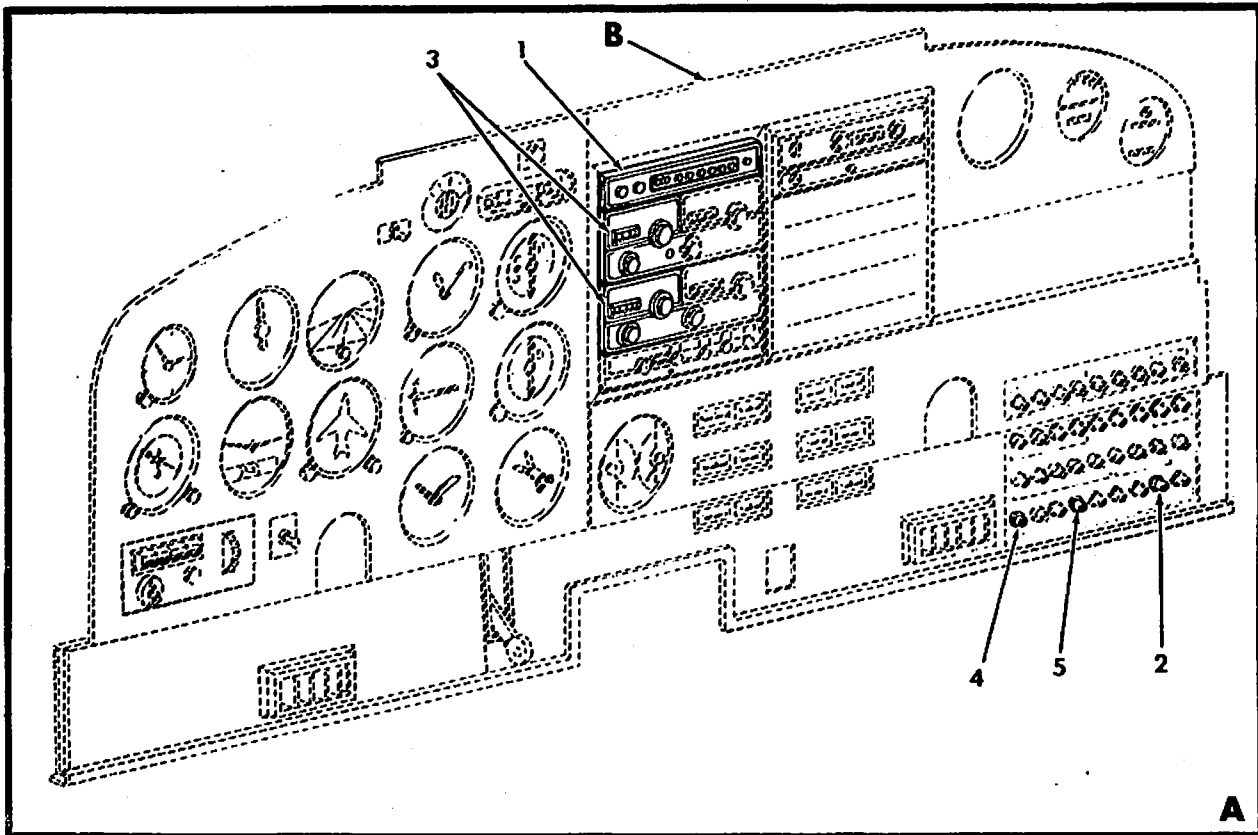
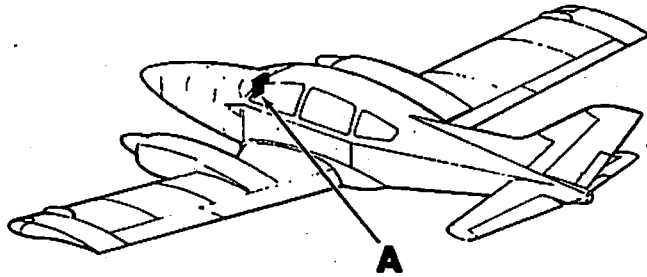
A23G74-04

Case Assembly, VHF251 Transceiver (Optional)
 Figure 23-4

GRUMMAN AMERICAN AVIATION
GA-7/COUGAR
ILLUSTRATED PARTS CATALOG

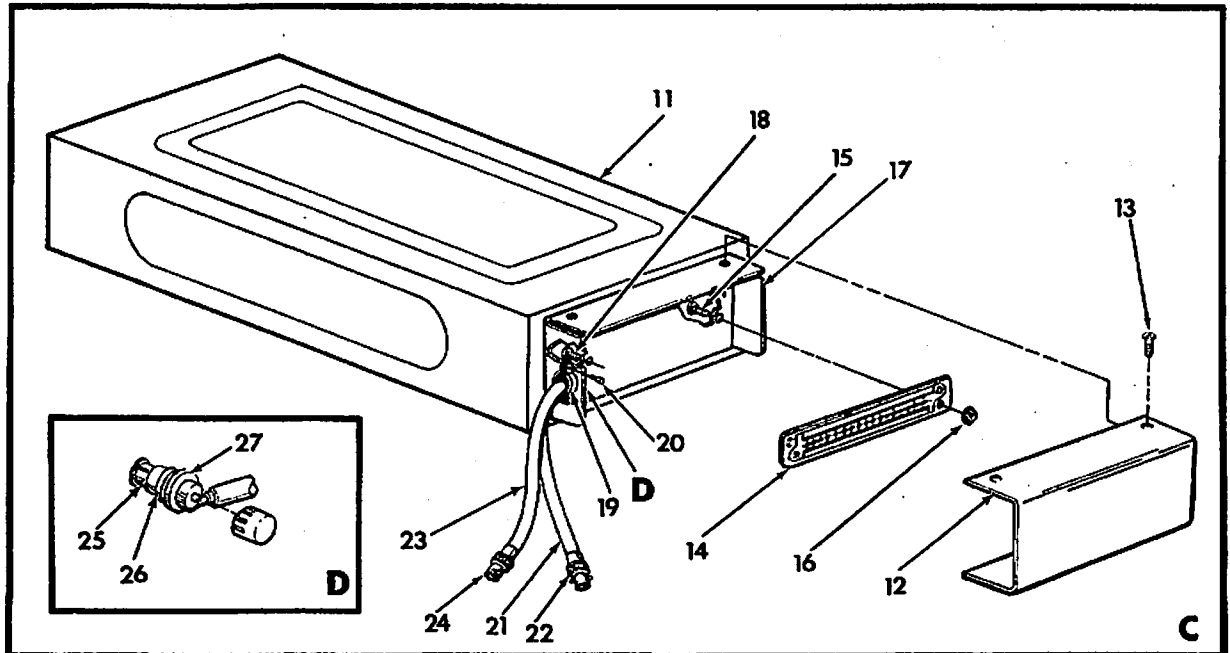
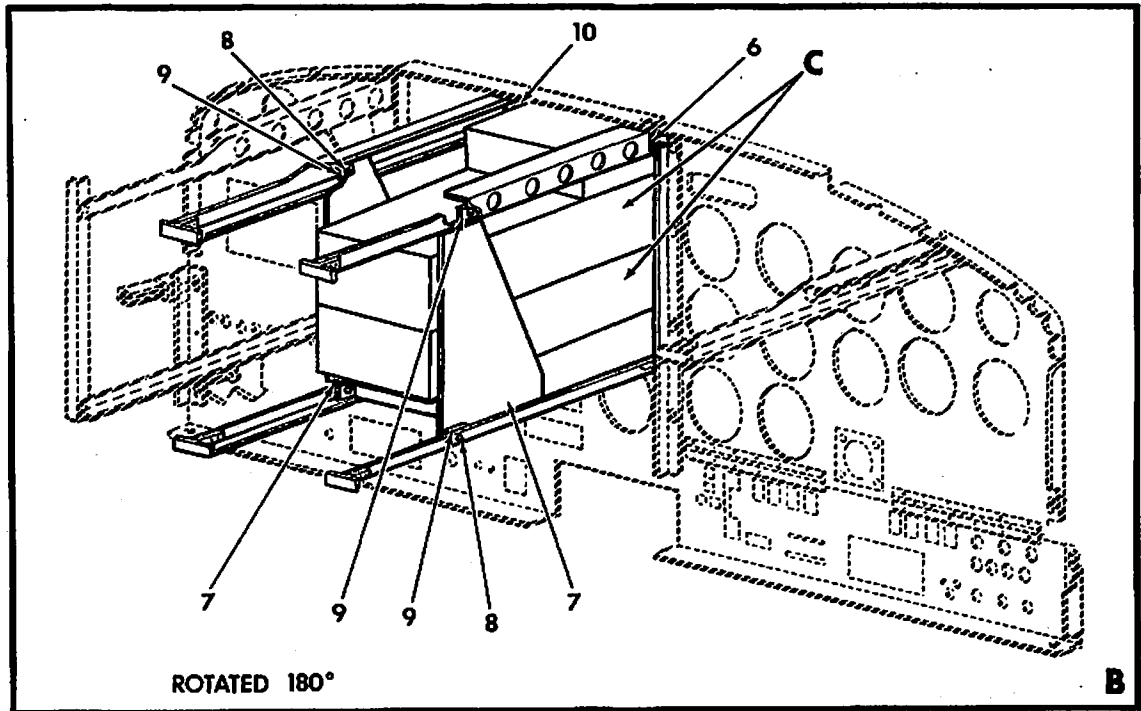
Figure & Index No.	Part Number	Nomenclature 1 2 3 4 5 6 7	Units Per Assy	Usable On Code
23- 4 -	7AV10741-1	CASE ASSEMBLY, VHF251 TRANSCEIVER (OPTIONAL, ... FOR BOTH COM1 AND COM 2) (SEE FIGURE 23-3 FOR NHA)	RF	R
- 1	150-1541-000	.CLAMP, CABLE (13499)..... (ATTACHING PARTS)	1	R
- 2	342-0045-000 310-0045-000 333-0605-000	.SCREW (13499)..... .WASHER, FLAT (13499)..... .NUT, SELF-LOCKING.....	1 1 1	R R R
- 3	7AV10747-1	.CABLE ASSEMBLY, ANTENNA, VHF251.....	1	R
- 4	2-331350-1	.CONNECTOR, RADIO FREQUENCY (02660).....	1	R
- 5	RG58AU 371-0379-060	.CABLE, ANTENNA..... .RECEPTACLE, ELECTRICAL (13499)..... (ATTACHING PARTS)	AR 1	R R
- 6	343-0125-000 333-0604-000	.SCREW (13499)..... .NUT, SELF-LOCKING (13499).....	2 2	R R
- 7	371-0379-130 628-5416-001	.CONTACT, ELECTRICAL (13499)..... .PLATE ASSEMBLY (13499)..... (ATTACHING PARTS)	25 1	R R
- 8	343-0167-000	.SCREW (13499).....	4	R
- 9	628-5590-001	.SHROUD (13499).....	1	R
- 10	357-7532-010	.CONNECTOR, RADIO FREQUENCY WITH SHIELD..... (13499)	1	R
- 11	628-5329-001	.WASHER, SHIM (13499).....	1	R
- 12	340-0012-000	.RING, RETAINING (13499).....	1	R
- 13	628-5558-001 628-5789-001	.TRAY, MOUNTING (13499)..... .KIT, MOUNTING (CONSISTS OF INDEX NUMBERS..... 1,2,4 THROUGH 13)	1 1	R R

GRUMMAN AMERICAN AVIATION
GA-7/COUGAR
ILLUSTRATED PARTS CATALOG



A23G74-05-1

GRUMMAN AMERICAN AVIATION
GA-7/COUGAR
ILLUSTRATED PARTS CATALOG



A23G74-05-2

Communications Equipment Options, King
 Figure 23-5 (Sheet 2 of 2)

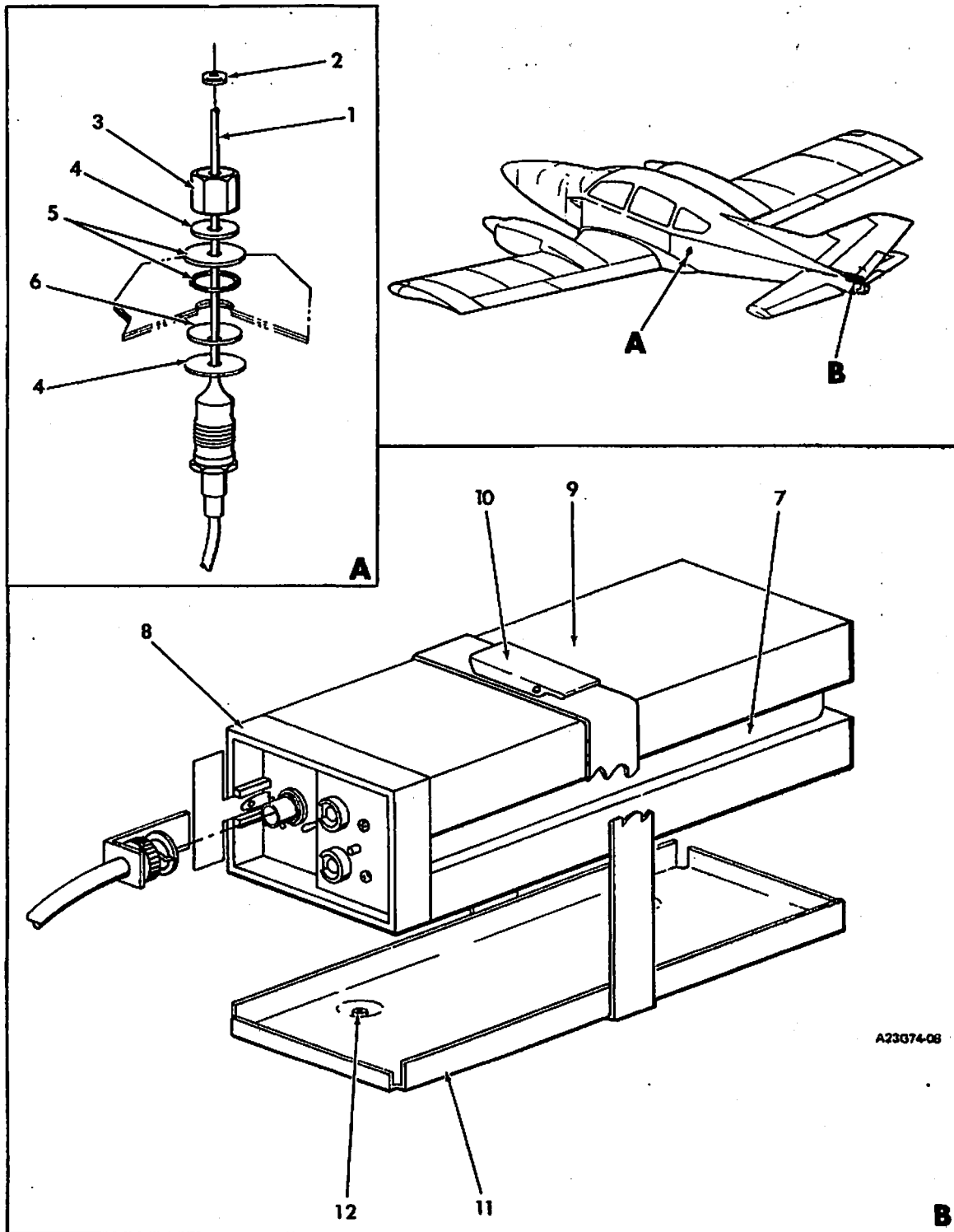
GRUMMAN AMERICAN AVIATION

**GA-7/COUGAR
ILLUSTRATED PARTS CATALOG**

Figure & Index No.	Part Number	Nomenclature							Units Per Assy	Usable On Code
		1	2	3	4	5	6	7		
23- 5 -	7AV10700-1	COMMUNICATIONS EQUIPMENT OPTIONAL, KING.....							NF	R
	7AV10751-1	COMMUNICATIONS SYSTEM INSTALLATION, KING..... (OPTIONAL, WITHOUT GLIDESLOPE) (SEE CHAPTER 34 FOR NAVIGATION OPTIONS)							RF	
	7AV10752-1	COMMUNICATIONS SYSTEM INSTALLATION, KING..... (OPTIONAL, WITH GLIDESLOPE) (SEE CHAPTER 34 FOR NAVIGATION OPTTIONS)							RF	R
	7AV10761-1	KMA20 AUDIO/MARKER CONTROL PANFL..... INSTALLATION (OPTIONAL)							RF	R
- 1	KMA20	AUDIO/MARKER CONTROL PANEL (22373) (REFER.... TO KING PARTS MANUAL FOR DETAIL BREAKDOWN)							1	R
- 2	MT1600T5	CIRCUIT BREAKER, AUDIO/MARKER PANEL..... 5 AMP (05231)							1	R
- 3	KX175R	VHF COMMUNICATIONS TRANSCEIVER (22373)..... (OPTIONAL FOR BOTH COM 1 AND COM 2 (REFER TO KING PARTS MANUAL FOR DETAIL BREAKDOWN)							2	R
- 4	MT1600T5	CIRCUIT BREAKER, COM 1, 5 AMP (05231).....							1	R
- 5	MT1600T5	CIRCUIT BREAKER, COM 2, 5 AMP (05231).....							1	R
	7AV10701-5	COMMUNICATIONS OPTION 5 (SEE CHAPTER 23-1.... FOR NHA)							RF	R
- 6	7F10134-12	SUPPORT, RADIO MOUNTING, LH.....							1	R
- 7	7F10134-13	BRACKET, RADIO SUPPORT, FWD..... (ATTACHING PARTS)							2	R
- 8	1601-0410	RIVET (19738).....							3	R
- 9	7F10134-19	SHIM (USAGE TO BE DETERMINED UPON..... INSTALLATION)							AR	R
	7F10134-21	SHIM (USAGE TO BE DETERMINED UPON..... INSTALLATION)							AR	R
	7F10134-23	SHIM (USAGE TO BE DETERMINED UPON..... INSTALLATION)							AR	R
- 10	7F10134-11	SUPPORT, RADIO MOUNTING, RH.....							1	R
- 11	5802036-5D2	CASE ASSEMBLY, KX175R VHF TRANSCEIVER.....							2	R
- 12	047-1851-00	COVER PLATE (22373)..... (ATTACHING PARTS)							1	R
- 13	089-6008-04	SCREW (22373).....							4	R
- 14	030-2101-04	CONNECTOR, RECEPTACLE (22373)..... (ATTACHING PARTS)							1	R
- 15	089-5903-05	SCREW (22373).....							2	R
- 16	089-2188-22	NUT, SELF-LOCKING (22373).....							2	R
- 17	047-1743-01	PLATE, MOUNTING (22373)..... (ATTACHING PARTS)							1	R
- 18	089-5907-05	SCREW (22373).....							2	R
- 19	030-1019-00	CLAMP, CABLE (22373)..... (ATTACHING PARTS)							2	R
- 20	089-5523-05	SCREW (22373).....							2	R
- 21	5802038-514	CABLE ASSEMBLY, ANTENNA.....							1	R
- 22	2-331351-1 RG58A/U	CONNECTOR, RF (00779)..... CABLE, ANTENNA.....							1 AR	R
- 23	5802038-515	CABLE ASSEMBLY, ANTENNA.....							1	R
- 24	2-331350-1 RG58A/U	CONNECTOR, RF (00779)..... CABLE, ANTENNA.....							1 AR	R
	047-1695-00	TRAY, MOUNTING (22373).....							1	R

GRUMMAN AMERICAN AVIATION
GA-7/COUGAR
ILLUSTRATED PARTS CATALOG

Figure & Index No.	Part Number	Nomenclature 1 2 3 4 5 6 7	Units Per Assy	Usable On Code
23- 5 - 25	030-0761-00CONNECTOR, ANTENNA, CABLE (22373) (SEE..... INDEX NUMBERS 21 AND 23 FOR NHA)	2	R R R R R
- 26	090-0019-07RING, RETAINER (22373) (SEE INDEX..... NUMBERS 21 AND 23 FOR NHA)	2	
- 27	089-8094-30WASHER, FLAT (22373) (SEE INDEX NUMBERS..... 21 AND 23 FOR NHA)	2	



Communications Equipment Options, Emergency Locator Transmitter
 Figure 23-6

GRUMMAN AMERICAN AVIATION
GA-7/COUGAR
ILLUSTRATED PARTS CATALOG

Figure & Index No.	Part Number	Nomenclature							Units Per Assy	Usable On Code
		1	2	3	4	5	6	7		
23- 6 -	7AV10700-1 7AV10722-1	COMMUNICATIONS EQUIPMENT OPTIONS ..ELT10 EMERGENCY LOCATOR TRANSMITTER.....							NP ¹ RF	
- 1	01652-0101	..INSTALLATION (OPTIONAL)								
- 2	MS35497-1	..ANTENNA ASSEMBLY (93493).....							1	
- 3	R2987-0001	..PACKING, PREFORMED.....							1	
- 4	81307-0121	..NUT, CAP (93493).....							1	
- 5	82986-0002	..WASHER, FLAT (93493).....							2	
- 6	91312-0021	..SEAL ASSEMBLY (93493).....							1	
- 7	57667-0001	..WASHER, SPRING (93493).....							1	
- 8	03716-0300	..ANTENNA, PORTABLE (93493).....							1	
- 9	57674-0011	..ELT10 EMERGENCY LOCATOR TRANSMITTER..... (93493)							1	
- 10	57687-0101	..BATTERY PACK, ELT10 (93493).....							1	
- 11	57666-0001	..STRAP, MOUNTING BRACKET (93493).....							1	
- 12	MS35206-228	..BRACKET, MOUNTING (93493).....							1	
		..SCREW, MACHINE.....							4	

R
R
R
R
R
R
R
R
R
R
R
R

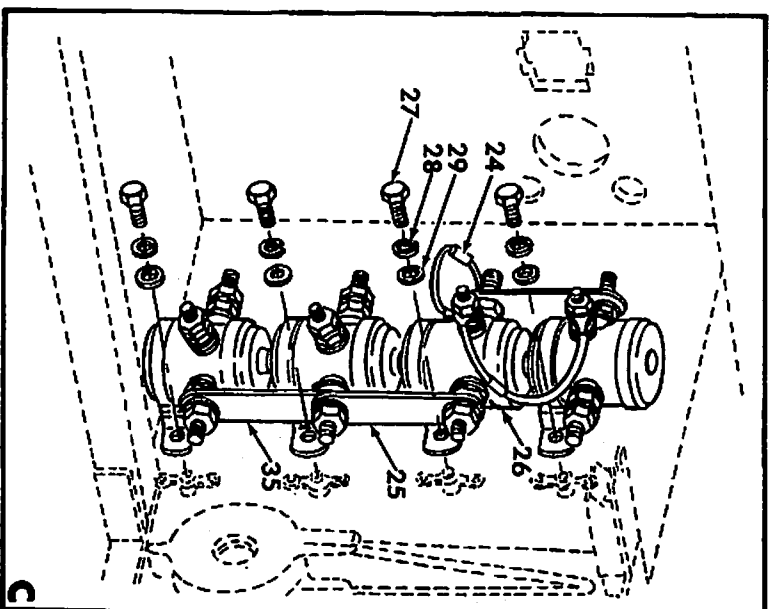
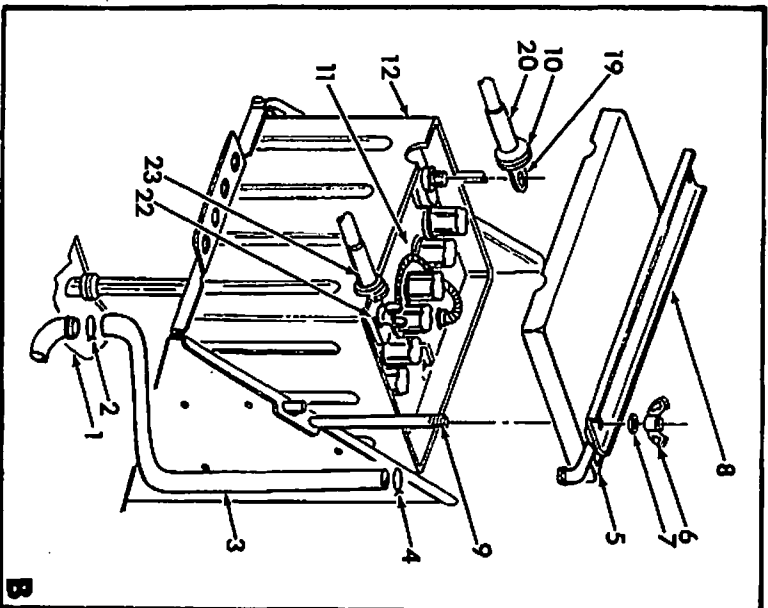
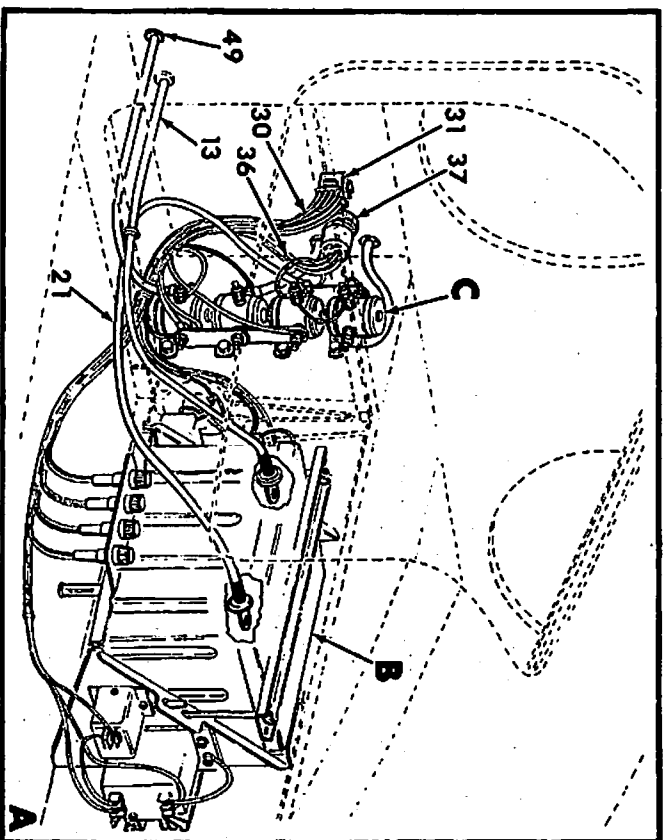
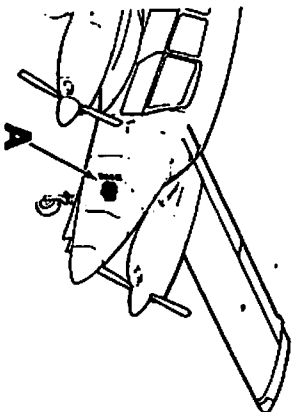
GRUMMAN AMERICAN AVIATION
GA-7/COUGAR
ILLUSTRATED PARTS CATALOG

CHAPTER 24

ELECTRICAL POWER

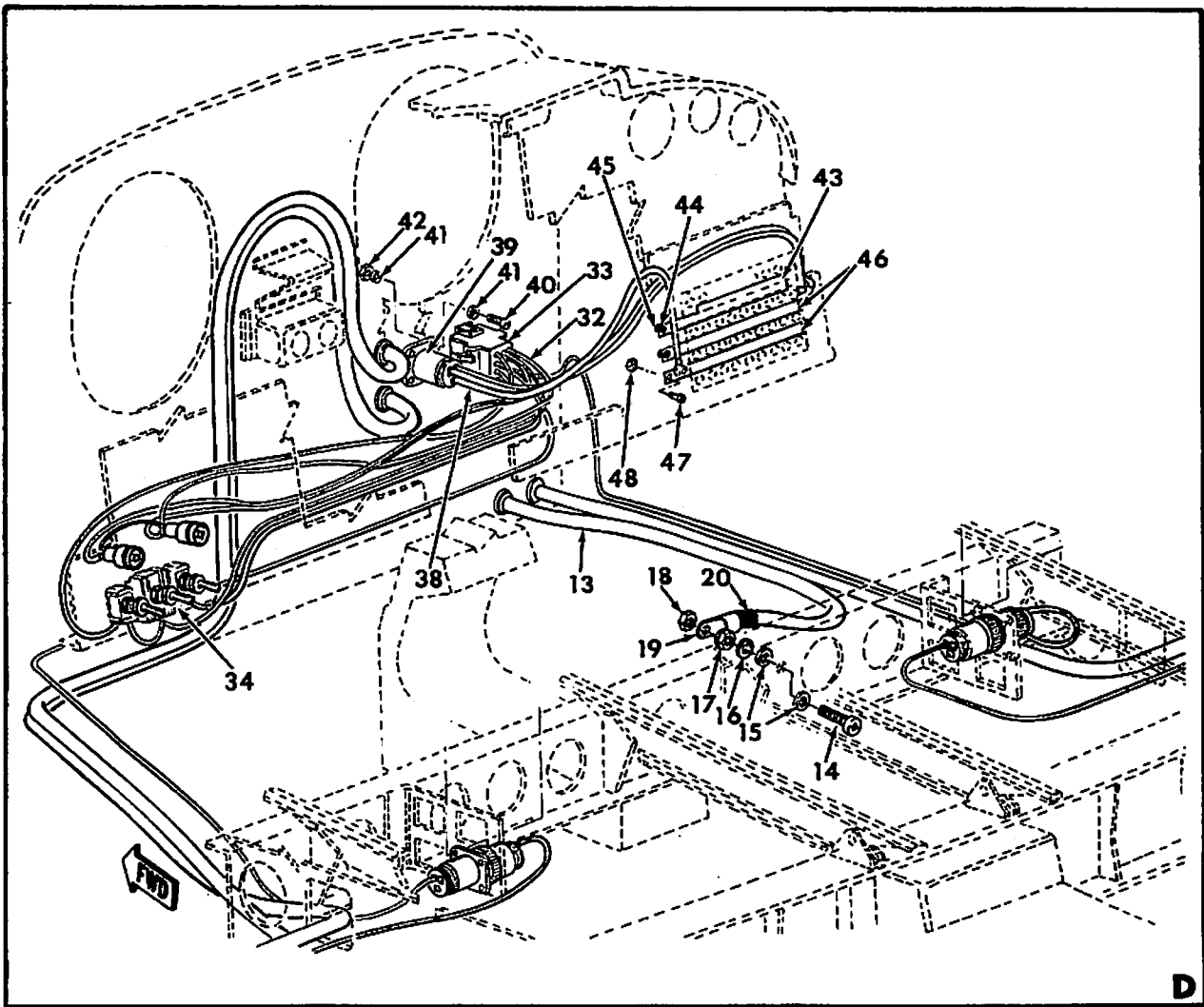
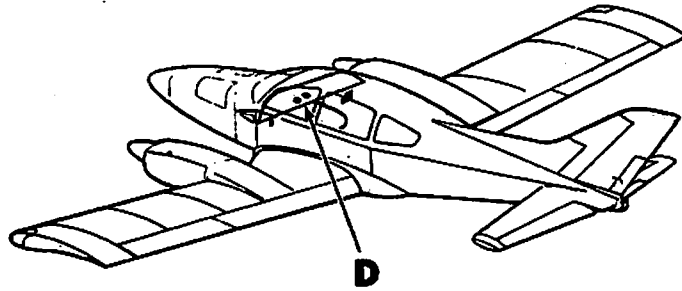
TABLE OF CONTENTS

<u>SUBJECT</u>	<u>FIGURE NUMBER</u>
BATTERY SYSTEM INSTALLATION	24-1
ALTERNATOR SYSTEM INSTALLATION	24-2
EXTERNAL POWER SYSTEM INSTALLATION (OPTIONAL)	24-3



Battery System Installation
 Figure 24-1 (Sheet 1 of 2)

24G74401-1



Battery System Installation
Figure 24-1 (Sheet 2 of 2)

24G74-01-2

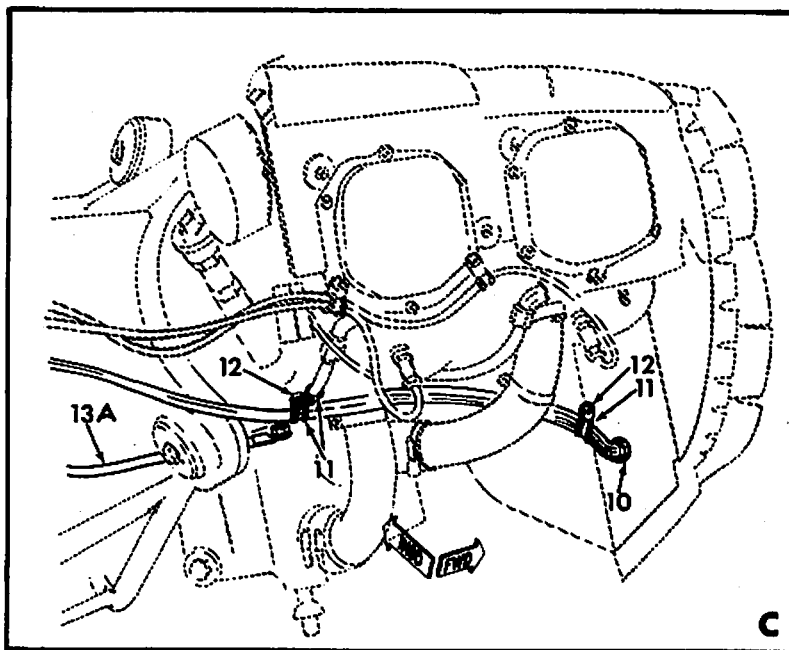
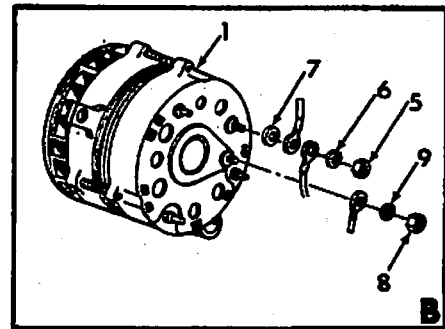
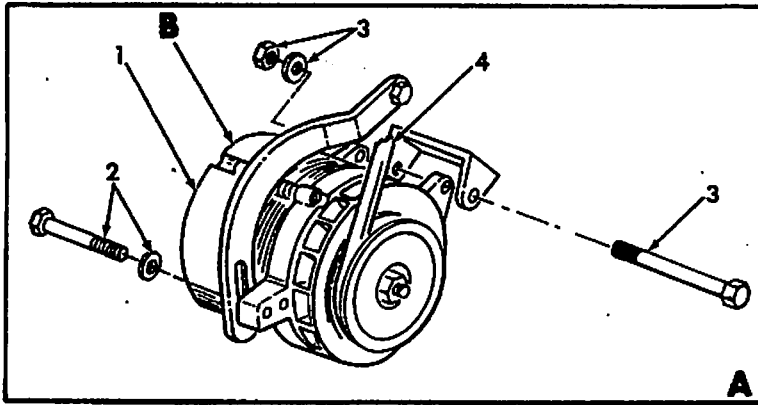
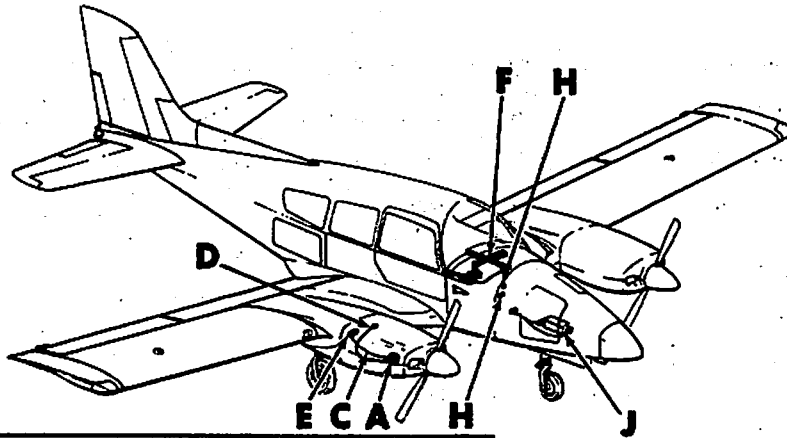
GRUMMAN AMERICAN AVIATION
GA-7/COUGAR
ILLUSTRATED PARTS CATALOG

Figure & Index No.	Part Number	Nomenclature 1 2 3 4 5 6 7	Units Per Assy.	Usable On Code
24- 1 -	NO NUMBER	BATTERY SYSTEM INSTALLATION.....	NP	
- 1	7F10620-1	.BATTERY INSTALLATION.....	NP	
	7F10621-1	..RAM INLET AND EXHAUST ASSEMBLY,BATTERY.....	1	
		COOLING		
		(ATTACHING PARTS)		
- 2	A6	..CLAMP, SPRING (05657).....	1	
- 3	7F10620-11	..TUBE, BATTERY.....	1	
		(ATTACHING PARTS)		
- 4	A6	..CLAMP, SPRING (05657).....	1	
- 5	7F10622-1	..COVER ASSEMBLY, BATTERY BOX.....	1	
		(ATTACHING PARTS)		
- 6	WC-048	..WING NUT (10059).....	2	
- 7	AN960-416	..WASHER, FLAT.....	2	
- 8	7B10204-29	..CHANNEL, BATTERY COVER.....	1	
- 9	7B10204-23	..HOOK, BATTERY HOLDER.....	2	
- 10	MS35489-100	..GROMMET, RUBBER.....	2	
- 11	S-25	..BATTERY (19728).....	1	
- 12	402012-507	..BATTERY BOX ASSEMBLY.....	1	
- 13	7PA1A2	..CABLE ASSEMBLY, ELECTRICAL.....	1	
		(ATTACHING PARTS)		
- 14	MS35207-311	..SCREW, MACHINE.....	1	
- 15	AN960-616	..WASHER, FLAT.....	2	
- 16	MS35338-46	..WASHER, LOCK.....	1	
- 17	MS35650-3382	..NUT, SELF-LOCKING.....	1	
- 18	MS20364-624C	..NUT, SELF-LOCKING.....	1	
- 19	G375-38	..TERMINAL, LUG (98410).....	2	
- 20	FIT-105-3-4	..SHRINK TUBING (05832).....	AR	
- 21	7PA2A2	..CABLE ASSEMBLY, ELECTRICAL.....	1	
- 22	G375-38	..TERMINAL, LUG (98410).....	2	
- 23	FIT-105-3-4	..SHRINK TUBING (05832).....	AR	
- 24	7AV10112-2	..DIODE ASSEMBLY (CR2).....	1	
- 25	7AV10114-13	..JUMPER, ELECTRICAL.....	1	
- 26	8781-2	..RELAY, SOLENOID, BATTERY (80089).....	1	
		(ATTACHING PARTS)		
- 27	AN3-3A	..BOLT, AIRCRAFT.....	2	
- 28	MS35338-43	..WASHER, LOCK.....	2	
- 29	AN960-10L	..WASHER, FLAT.....	2	
- 30	7AV10101-2	..CABLE ASSEMBLY, ELECTRICAL (W2) (REFER TO.....	1	
		SPECIFIC CHAPTERS AND SYSTEMS FOR		
		ADDITIONAL COMPONENTS)		
- 31	1-480708-0	..CONNECTOR, PLUG, ELECTRICAL (P11) (00779).....	1	
- 32	7AV10101-6	..CABLE ASSEMBLY, ELECTRICAL (W6) (REFER TO.....	1	
		SPECIFIC CHAPTERS AND SYSTEMS FOR		
		ADDITIONAL COMPONENTS)		
- 33	1-480709-1	..CONNECTOR, RECEPTACLE, ELECTRICAL (J11).....	1	
		(00779)		
- 34	HK251	..SWITCH, TOGGLE, MASTER (73559).....	1	
- 35	7AV10114-15	..JUMPER, ELECTRICAL.....	1	
- 36	7AV10101-3	..CABLE ASSEMBLY, ELECTRICAL (W3).....	1	
- 37	206037-2	..CONNECTOR, PLUG, ELECTRICAL (P12) (00779).....	1	
- 38	7AV10101-7	..CABLE ASSEMBLY, ELECTRICAL (W7).....	1	
- 39	206036-2	..CONNECTOR, RECEPTACLE, ELECTRICAL (J12).....	1	
		(00779)		

GRUMMAN AMERICAN AVIATION
GA-7/COUGAR
ILLUSTRATED PARTS CATALOG

Figure & Index No.	Part Number	Nomenclature							Units Per Assy	Usable On Code
		1	2	3	4	5	6	7		
		(ATTACHING PARTS)								
24- 1 - 40	MS35206-227	..SCREW, MACHINE.....							4	
- 41	AN960-6L	..WASHER, FLAT.....							8	
- 42	MS20364-632C	..NUT, SELF-LOCKING.....							4	
		-----*								
- 43	7AV10105-1	.BUS BAR ASSEMBLY, DC.....							1	
		(ATTACHING PARTS)								
- 44	MS35207-264	.SCREW, MACHINE.....							1	
- 45	MS21042-3	.NUT, SELF-LOCKING.....							1	
		-----*								
- 46	7AV10105-2	.BUS BAR ASSEMBLY, RADIO.....							2	
		(ATTACHING PARTS)								
- 47	MS35207-264	.SCREW, MACHINE.....							1	
- 48	MS21042-3	.NUT, SELF-LOCKING.....							1	
		-----*								
- 49	Z-524	.GRONNET, RUBBER (35553).....							1	

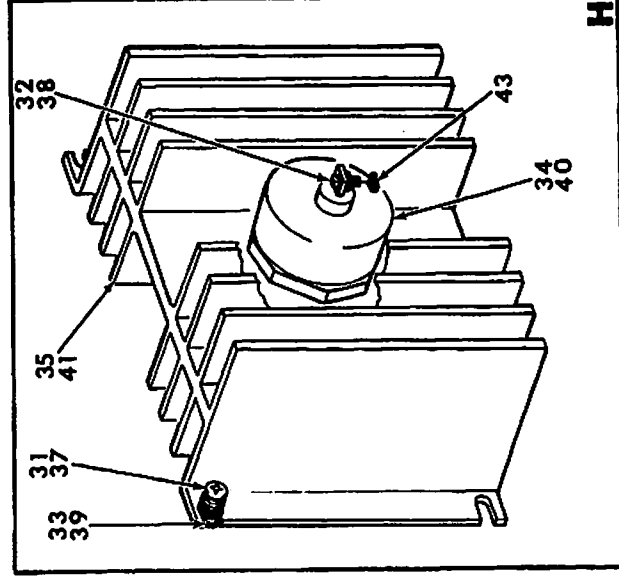
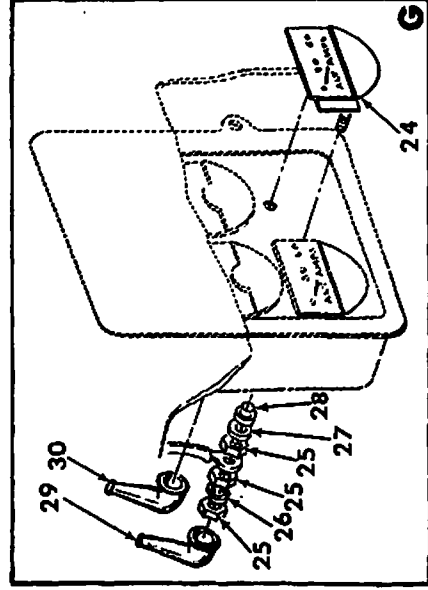
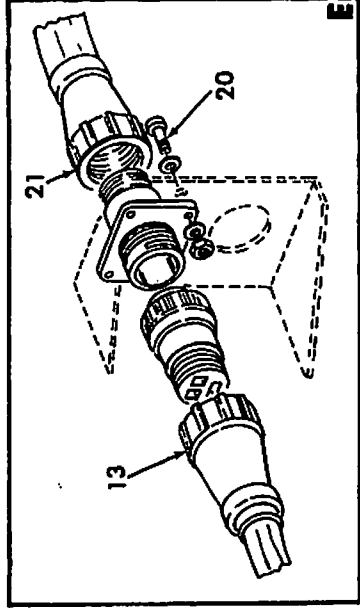
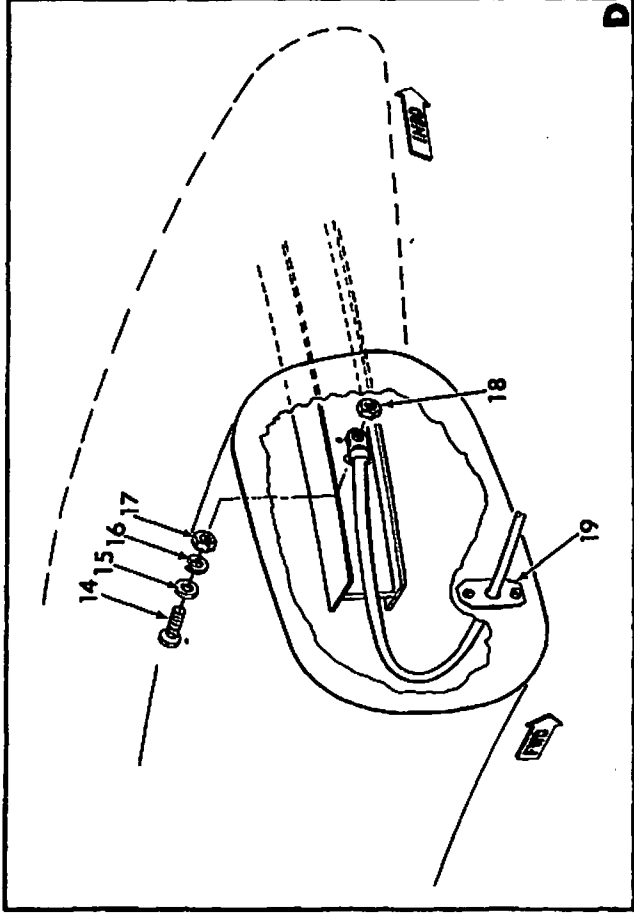
BRUMMAN AMERICAN AVIATION
GA-7/COUGAR
ILLUSTRATED PARTS CATALOG



Alternator System Installation
Figure 24-2 (Sheet 1 of 4)

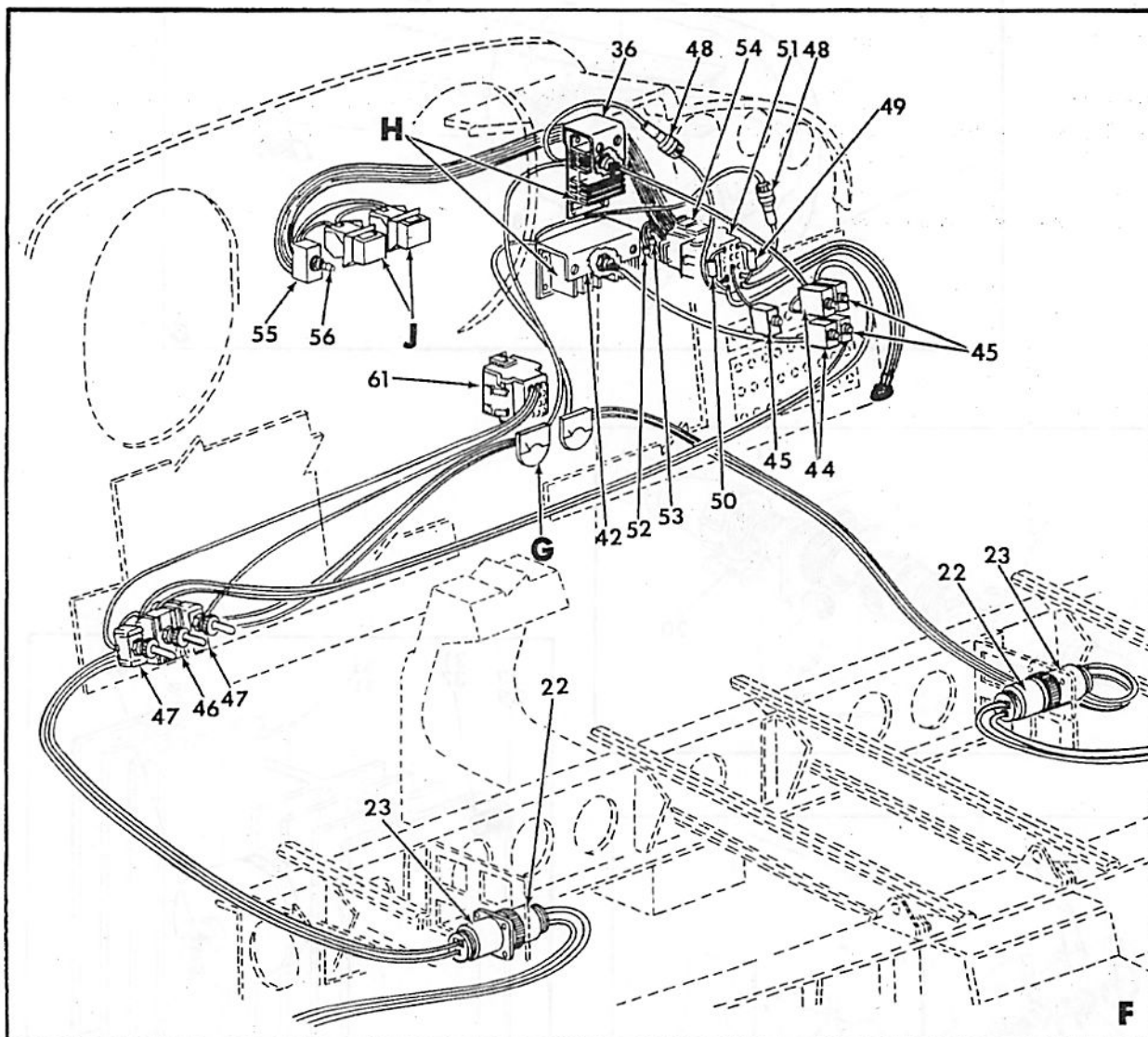
24G74-02-1

GRUMMAN AMERICAN AVIATION
GA-7/COUGAR
ILLUSTRATED PARTS CATALOG



Alternator System Installation
 Figure 24-2 (Sheet 2 of 4)

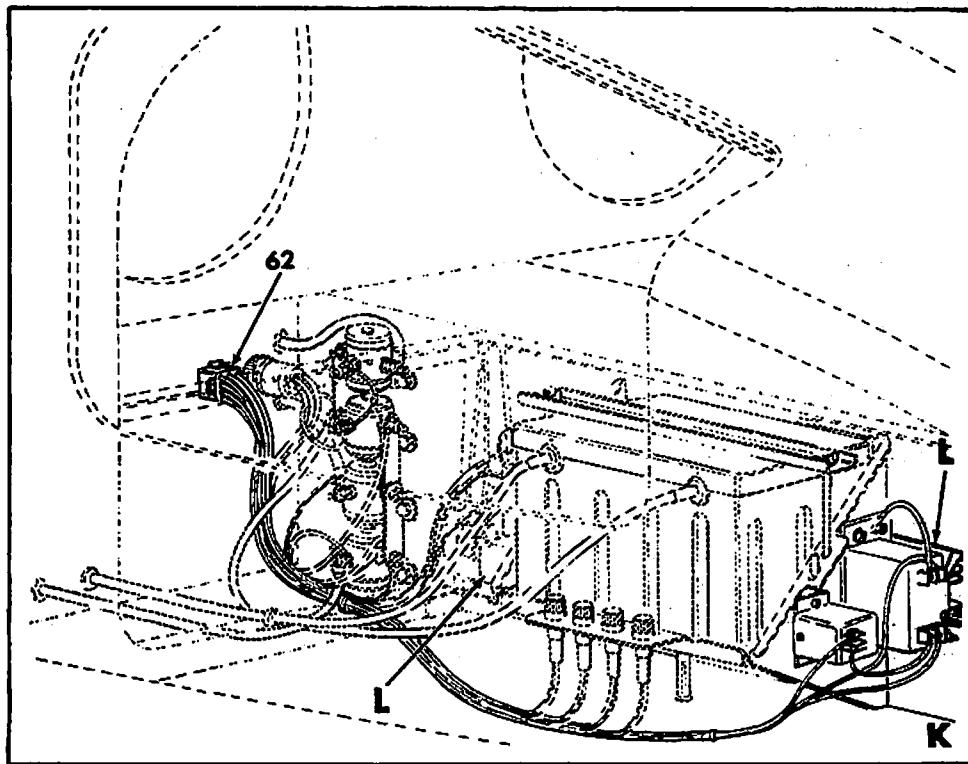
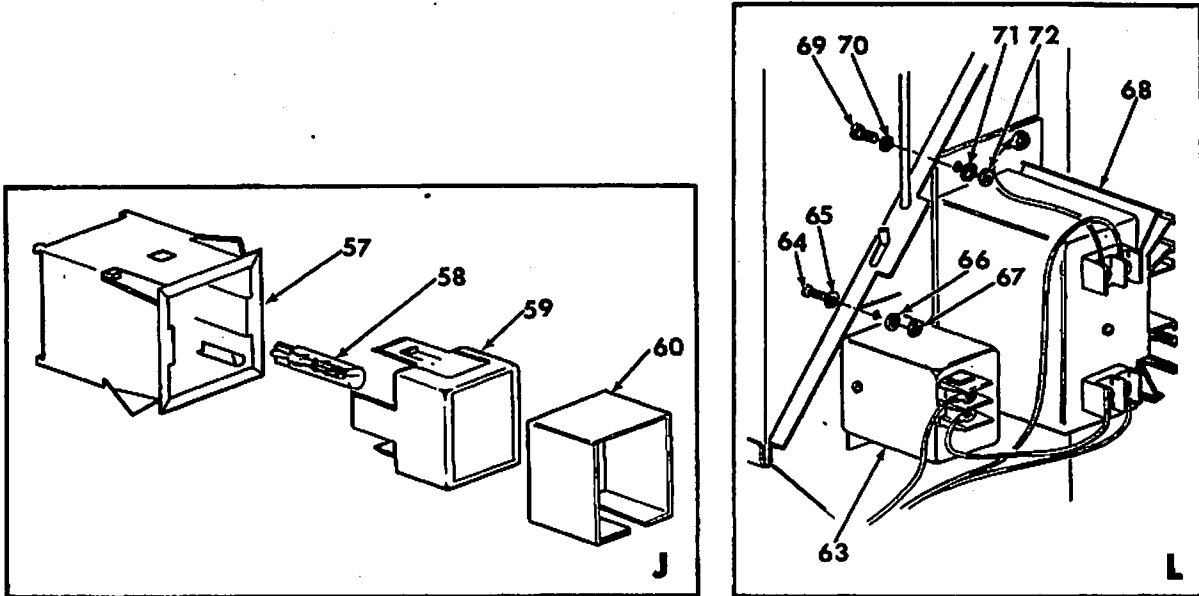
GRUMMAN AMERICAN AVIATION
GA-7/COUGAR
ILLUSTRATED PARTS CATALOG



Alternator System Installation
Figure 24-2 (Sheet 3 of 4)

24G74-02-3

GRUMMAN AMERICAN AVIATION
GA-7/COUGAR
ILLUSTRATED PARTS CATALOG



Alternator System Installation
Figure 24-2 (Sheet 4 of 4)

24G74-02-4

GRUMMAN AMERICAN AVIATION
GA-7/COUGAR
ILLUSTRATED PARTS CATALOG

Figure & Index No.	Part Number	Nomenclature							Units Per Assy	Usable On Code
		1	2	3	4	5	6	7		
24- 2 -	NO NUMBER	ALTERNATOR SYSTEM INSTALLATION.....							NP	
- 1	DOFF-10300J	.ALTERNATOR (23040).....							2	
		(ATTACHING PARTS)								
- 2	MS20074-06-07	.BOLT.....							1	
	AN960-616	.WASHER.....							1	
- 3	AN7-40A	.BOLT.....							1	
	AN960-716	.WASHER.....							1	
	MS20364-720C	.NUT.....							1	
- 4	5500013-1	.BELT.....							1	

	7AV10101-18	.CABLE ASSEMBLY (W18 LEFT ALTERNATOR).....							1	
	7AV10101-20	.CABLE ASSEMBLY (W20 RIGHT ALTERNATOR).....							1	
		(ATTACHING PARTS)								
- 5	MS35649-2252	.NUT.....							1	
- 6	MS35338-44	.WASHER, LOCK.....							1	
- 7	AN961-416T	.WASHER.....							1	
- 8	MS35649-202	.NUT.....							1	
- 9	AN936-B10	.WASHER.....							1	
- 10	MS35490-15	.GROMMET.....							1	
- 11	MS21919D66	.CLAMP.....							3	
- 12	MS20365-1032C	.SCREW.....							2	
	AN520-10R8	.NUT.....							2	

- 13	206426-1	.CONNECTOR, PLUG (P19, P21) (00779).....							1	
- 13A	7PB7A2	.CABLE ASSEMBLY (LEFT ENGINE).....							1	
	7PB14A2	.CABLE ASSEMBLY (RIGHT ENGINE).....							1	
		(ATTACHING PARTS)								
- 14	MS35207-311	.SCREW.....							1	
- 15	AN960-616	.WASHER.....							2	
- 16	MS35338-46	.WASHER, LOCK.....							1	
- 17	MS35650-3382	.NUT.....							1	
- 18	MS20364-624C	.NUT.....							1	
- 19	7P10706-11	.SEAL.....							2	
	7P10907-19	.COVER.....							1	
	MS35206-245	.SCREW.....							2	

	7AV10101-14	.CABLE ASSEMBLY (W14 LEFT ALTERNATOR).....							1	
	7AV10101-16	.CABLE ASSEMBLY (W16 RIGHT ALTERNATOR).....							1	
		(ATTACHING PARTS)								
- 20	MS35226-227	.SCREW.....							4	
	AN960-6L	.WASHER.....							8	
	MS20364-632	.NUT.....							4	

- 21	206425-1	.CONNECTOR, RECEPTACLE (J19, J21) (00779).....							1	
- 22	206426-1	.CONNECTOR, PLUG (P15, P17) (00779).....							1	
	7AV10101-10	.CABLE ASSEMBLY (W10 LEFT ALTERNATOR).....							1	
	7AV10101-12	.CABLE ASSEMBLY (W12 RIGHT ALTERNATOR).....							1	
- 23	206425-1	.CONNECTOR, RECEPTACLE (J15, J17) (00779).....							1	
- 24	6246-00087	.AMMETER, ALTERNATOR (09393) (ATTACHING PARTS... INCLUDED)							2	
		(ATTACHING PARTS)								
- 25	44-402	.NUT, BRASS (09393).....							6	
- 26	41-401	.WASHER, LOCK (09393).....							2	
- 27	28-403	.WASHER, BRASS (09393).....							2	
- 28	28-439	.WASHER, NYLON (09393).....							2	

- 29	MS35171-1S	.NIPPLE (ALTERNATOR SIDE).....							2	
- 30	MS35171-3S	.NIPPLE (LOAD SIDE).....							2	
	7AV10112-5	.DIODE ASSEMBLY (CR5).....							1	

GRUMMAN AMERICAN AVIATION
GA-7/COUGAR
ILLUSTRATED PARTS CATALOG

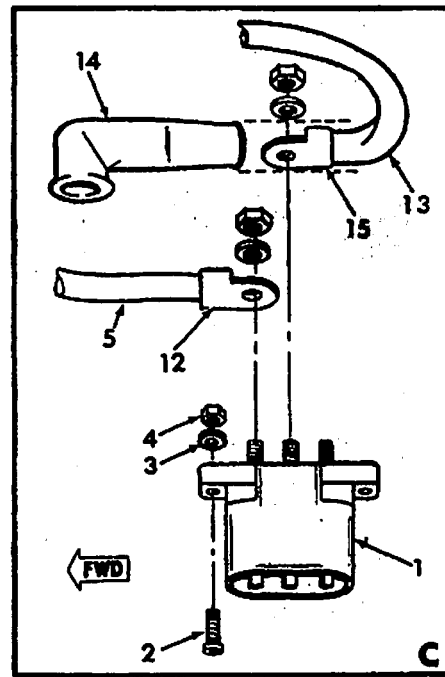
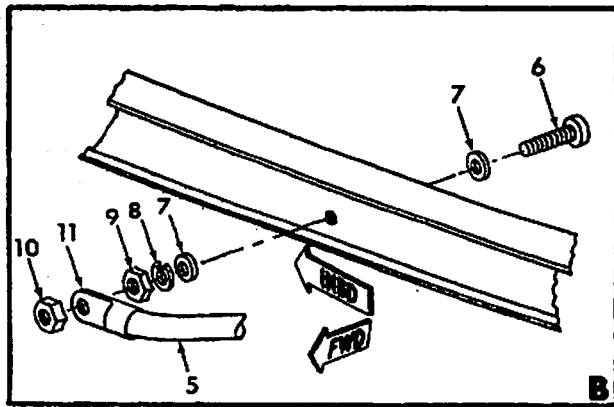
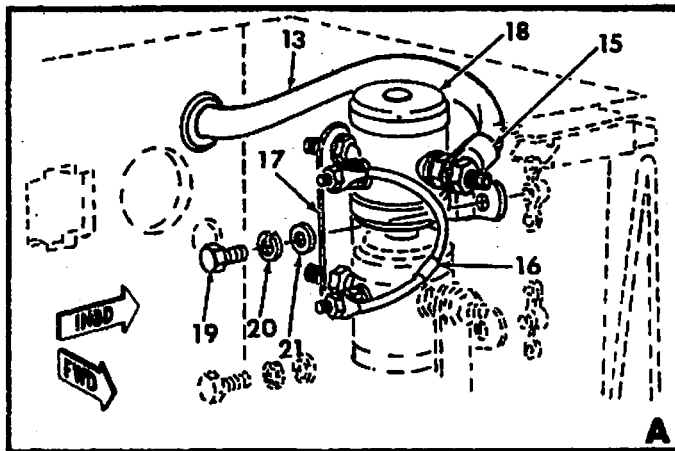
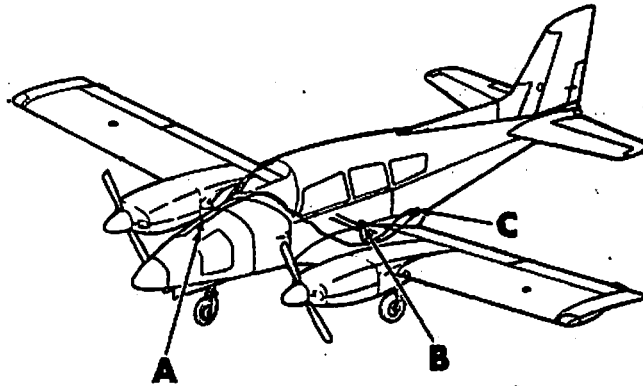
Figure & Index No.	Part Number	Nomenclature 1 2 3 4 5 6 7	Units Per Assy	Usable On Code
24- 2 -		(ATTACHING PARTS)		
- 31	MS35206-230 AN960-6L MS35338-4	.SCREW..... .WASHER..... .WASHER, LOCK.....	4 4 4	
- 32	MS35207-280 MS20364-428	..SCREW..... ..NUT.....	1 1	
- 33	TYPE 103	..INSULATOR (05820).....	4	
- 34	MR1215SL	..DIODE (04713).....	1	
- 35	413-F	..HEAT SINK (05820).....	1	
- 36	7FP10340-13 7AV10112-6	.COVER, HEAT SINK..... .DIODE ASSEMBLY (CR6).....	1 1	
- 37	MS35206-230 AN960-6L MS35338-4	(ATTACHING PARTS) .SCREW..... .WASHER..... .WASHER, LOCK.....	4 4 4	
- 38	MS35207-280 MS20364-428	..SCREW..... ..NUT.....	1 1	
- 39	TYPE 103	..INSULATOR (05820).....	4	
- 40	MR1215L	..DIODE (04713).....	1	
- 41	413-F	..HEAT SINK (05820).....	1	
- 42	7FP10340-11	.COVER, HEAT SINK.....	1	
- 43	MS20364-428C	..NUT.....	2	
- 44	1648-001-060	.CIRCUIT BREAKER (60 AMP) (05231).....	2	
- 45	1600-019-050	.CIRCUIT BREAKER (5 AMP) (05231).....	3	
- 46	HK251	.SWITCH, TOGGLE, MASTER (73559).....	1	
- 47	2FA54-73 7AV10101-8	.SWITCH, TOGGLE, ALTERNATOR (73559)..... .CABLE ASSEMBLY (W8) (REFER TO SPECIFIC..... CHAPTER AND SYSTEMS FOR ADDITIONAL COMPONENTS)	2 1	
- 48	AGC-5 HMJ	..FUSE (5 AMP) (F1, F2) (71400)..... ..FUSEHOLDER (71400).....	2 2	
- 49	7AV10113-1	..RESISTOR ASSEMBLY (R1).....	1	
- 50	7AV10113-2	..RESISTOR ASSEMBLY (R2).....	1	
- 51	1-480711-0 7AV10101-47	..CONNECTOR, CAP HOUSING (J13) (00779)..... .CABLE ASSEMBLY (W47) (REFER TO SPECIFIC..... CHAPTERS AND SYSTEMS FOR ADDITIONAL COMPONENTS)	1 1	
- 52	7AV10112-3	..DIODE ASSEMBLY (CR3).....	1	
- 53	7AV10112-4	..DIODE ASSEMBLY (CR4).....	1	
- 54	1-480710-0	..CONNECTOR, PLUG HOUSING (P13) (00779).....	1	
- 55	SA44SDW11-3	.SWITCH, PUSH TO TEST (CUTLER HAMMER).....	1	
- 56	SW2AA10 7SCF009-9 7SCF009-11	.BUTTON, BEZEL (CUTLER HAMMER)..... .LIGHT, INDICATOR, LEFT ALTRN..... .LIGHT, INDICATOR, RIGHT ALTRN.....	1 1 1	
- 57	05-105	..INDICATOR, LIGHTED (04426).....	1	
- 58	73	..BULB-T-1 3/4 (088C6).....	1	
- 59	7SCF009-23 7SCF009-25	..LENS, LEFT ALTRN (USED ON 7SCF009-9)..... ..LENS, RT ALTRN (USED ON 7SCF009-11).....	1 1	
- 60	7F10105 7AV10101-6	.SHIELD, LIGHT..... .CABLE ASSEMBLY (W6) (REFER TO SPECIFIC..... CHAPTER AND SYSTEMS FOR ADDITIONAL COMPONENTS)	2 1	
- 61	1-480709-0 7AV10101-2	..CONNECTOR, CAP HOUSING (J11) (00779)..... .CABLE ASSEMBLY (W2) (REFER TO SPECIFIC..... CHAPTER AND SYSTEMS FOR ADDITIONAL COMPONENTS)	1 1	
- 62	1-480708-0	..CONNECTOR, PLUG HOUSING (P11).....	1	

GRUMMAN AMERICAN AVIATION
GA-7/COUGAR
ILLUSTRATED PARTS CATALOG

Figure & Index No.	Part Number	Nomenclature							Units Per Assy	Usable On Code
		1	2	3	4	5	6	7		
24- 2 - 63	B-00264-2	.RELAY, OVERVOLTAGE (31722).....							2	
		(ATTACHING PARTS)								
- 64	MS35206-245	.SCREW.....							2	
- 65	AN960-8L	.WASHER.....							2	
- 66	MS35338-41	.WASHER.....							2	
- 67	MS20364-832C	.NUT.....							2	

- 68	B-00288	.REGULATOR, VOLTAGE (31722).....							2	
		(ATTACHING PARTS)								
- 69	MS35207-263	.SCREW.....							3	
- 70	AN960-10L	.WASHER.....							3	
- 71	MS35338-43	.WASHER.....							3	
- 72	MS20364-1032C	.NUT.....							3	

GRUMMAN AMERICAN AVIATION
GA-7/COUGAR
ILLUSTRATED PARTS CATALOG



External Power System Installation (Optional)
 Figure 24-3

24G74-03-1

GRUMMAN AMERICAN AVIATION
GA-7/COUGAR
ILLUSTRATED PARTS CATALOG

Figure & Index No.	Part Number	Nomenclature							Units Per Assy	Usable On Code
		1	2	3	4	5	6	7		
24- 3 -	NO NUMBER	EXTERNAL POWER SYSTEM INSTALLATION.....							NP	
- 1	AN2552-3A	.RECEPTACLE (J42).....							1	
		(ATTACHING PARTS)								
- 2	MS24693-5275	.SCREW.....							2	
- 3	AN960-10	.WASHER.....							2	
- 4	MS20365-1032	.NUT.....							2	

- 5	7PC1A2	.CABLE ASSEMBLY.....							1	
		(ATTACHING PARTS)								
- 6	MS35207-311	.SCREW.....							1	
- 7	AN960-616	.WASHER.....							2	
- 8	MS35338-46	.WASHER, LOCK.....							1	
- 9	MS35650-3382	.NUT.....							1	
- 10	MS20364-624C	.NUT.....							1	

- 11	G375-38	..TERMINAL, LUG (98410).....							1	
- 12	G375-38	..TERMINAL, LUG (98410).....							1	
- 13	7PC2A2	.CABLE ASSEMBLY.....							1	
		(ATTACHING PARTS)								
- 14	MS25171-35	.BOOT.....							2	

- 15	G375-38	..TERMINAL, LUG (98410).....							2	
- 16	7AV10112-1	.DIODE ASSEMBLY (CR1).....							1	
- 17	7AV10114-11	.JUMPER.....							1	
- 18	8781-2	.SOLENOID (80089).....							1	
		(ATTACHING PARTS)								
- 19	AN3-3A	.BOLT.....							2	
- 20	AN960-10L	.WASHER.....							2	
- 21	MS35338-43	.WASHER.....							2	

GRUMMAN AMERICAN AVIATION
GA-7/COUGAR
ILLUSTRATED PARTS CATALOG

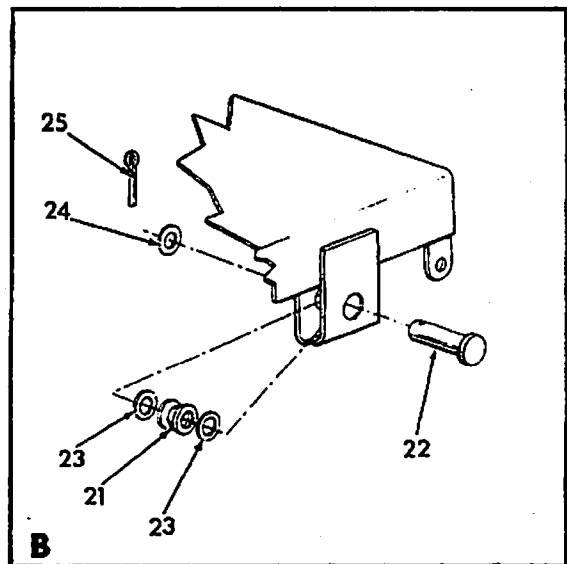
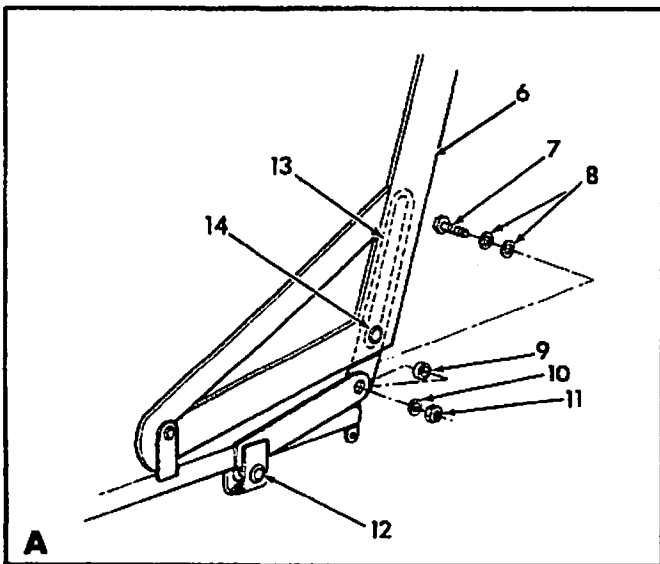
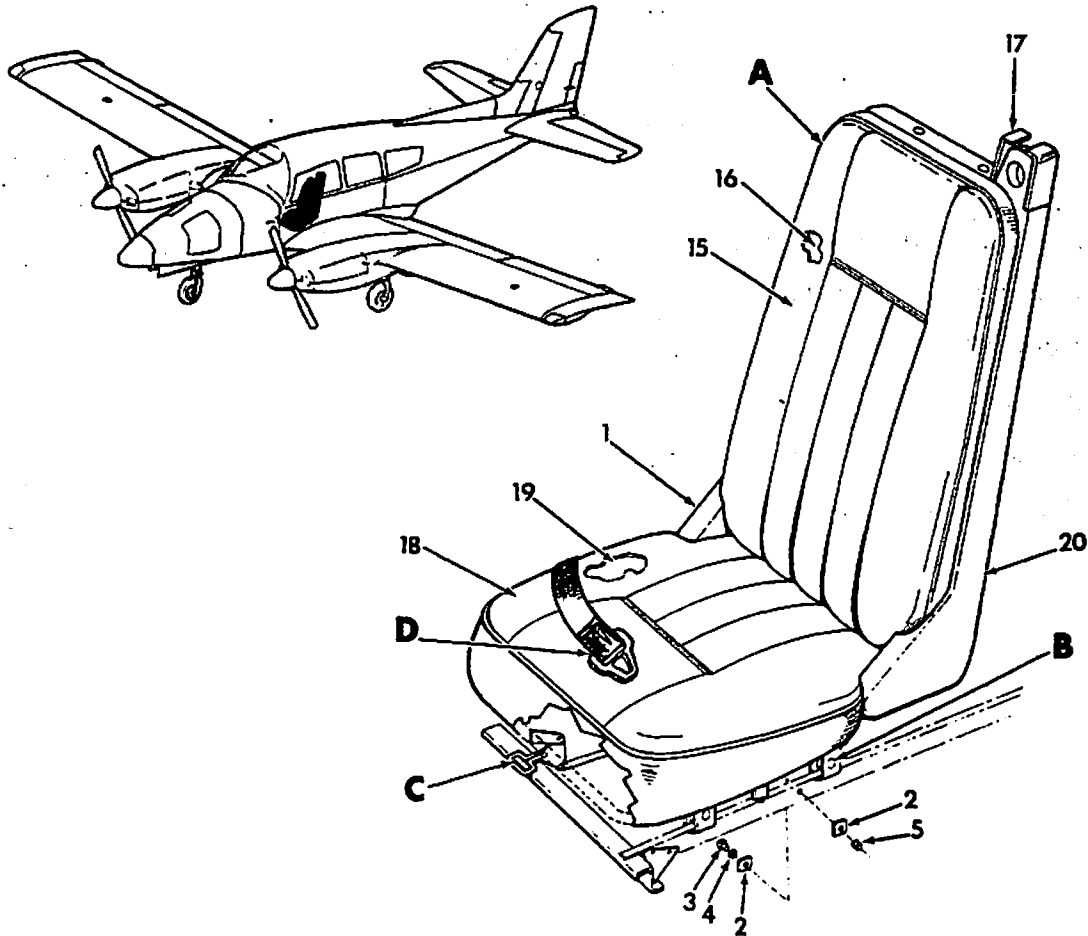
CHAPTER 25

EQUIPMENT/FURNISHINGS

TABLE OF CONTENTS

<u>SUBJECT</u>	<u>FIGURE NUMBER</u>
FORWARD SEAT AND BELT INSTALLATION	25-1
AFT SEAT AND BELT INSTALLATION	25-2
HEAD REST ASSEMBLY (OPTIONAL)	25-3
CHILD'S SEAT INSTALLATION (OPTIONAL)	25-4
SUN VISOR INSTALLATION (OPTIONAL)	25-5
FIRE EXTINGUISHER INSTALLATION/CIGAR LIGHTER INSTALLATION (OPTIONAL)	25-6

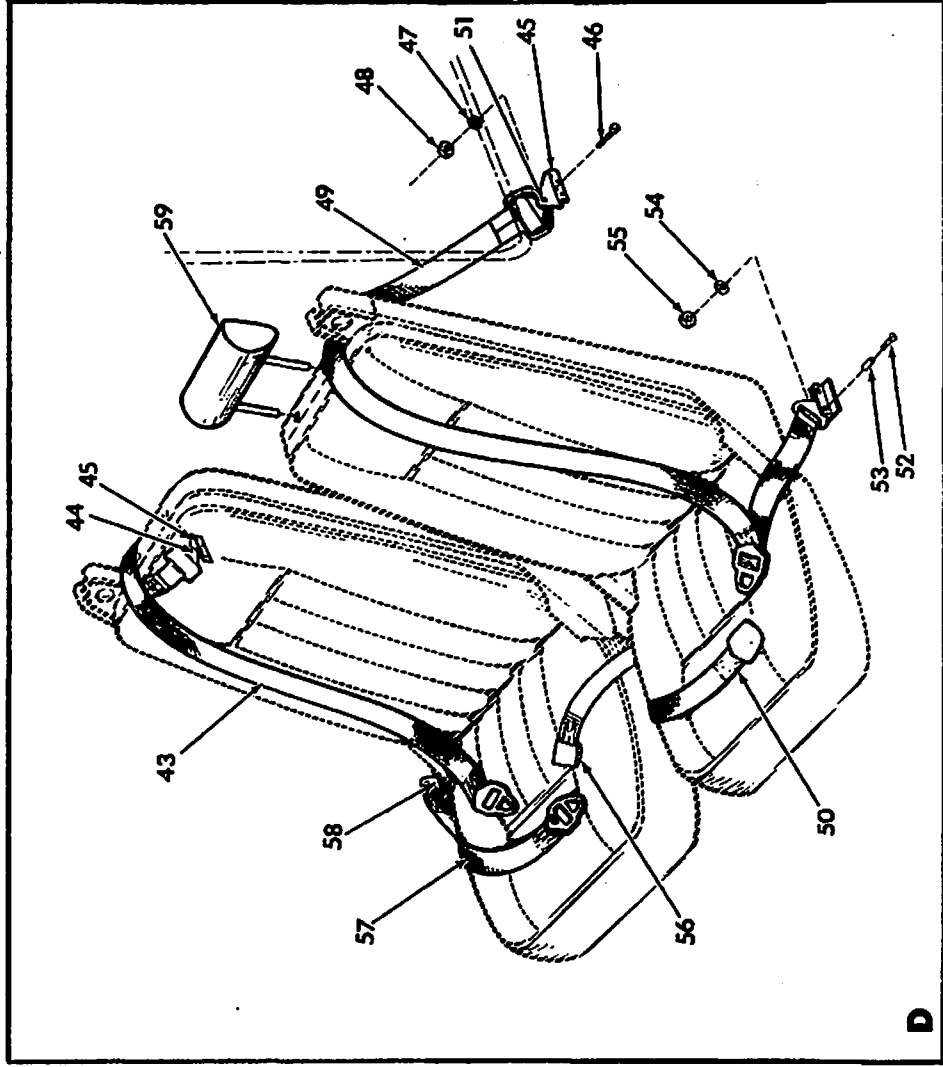
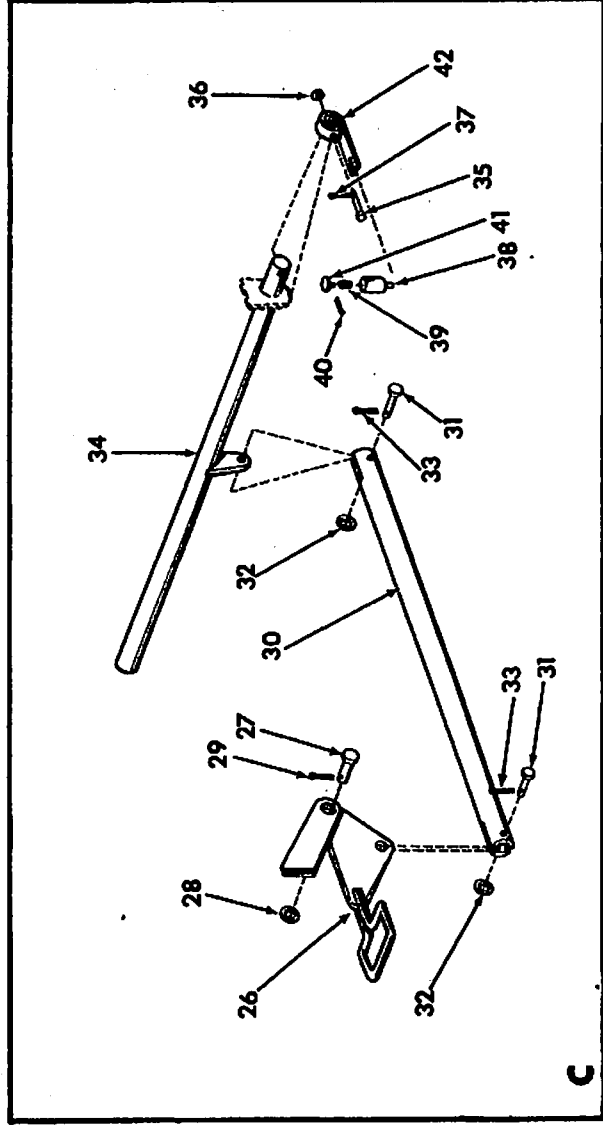
GRUMMAN AMERICAN AVIATION
GA-7/COUGAR
ILLUSTRATED PARTS CATALOG



Left Hand and Right Hand Forward Seat and Belt Installation
 Figure 25-1 (Sheet 1 of 2)

25G74-01-1

GRUMMAN AMERICAN AVIATION
GA-7/COUGAR
ILLUSTRATED PARTS CATALOG



Left Hand and Right Hand Forward Seat and Belt Installation
 Figure 25-1 (Sheet 2 of 2)

GRUMMAN AMERICAN AVIATION

**GA-7/COUGAR
ILLUSTRATED PARTS CATALOG**

Figure & Index No.	Part Number	Nomenclature							Units Per Assy	Usable On Code
		1	2	3	4	5	6	7		
25- 1 -	7F10400-1	SEAT AND BELT INSTALLATION, LH, FWD.....							RF	
	7F10400-2	SEAT AND BELT INSTALLATION, RH, FWD.....							RF	
- 1	7F10401-1	SEAT ASSEMBLY, LH, FWD.....							1	
	7F10401-2	SEAT ASSEMBLY, RH, FWD.....							1	
- 2	7FM10414-13	STOP.....							4	
		(ATTACHING PARTS FOR 2 EACH)								
- 3	AN4-12A	BOLT, AIRCRAFT.....							1	
- 4	AN960-416	WASHER, FLAT.....							1	
- 5	MS20364-428	NUT, SELFLOCKING.....							1	

- 6	7F10419-1	FRAME ASSEMBLY, SEAT BACK LH.....							1	
	7F10419-2	FRAME ASSEMBLY, SEAT BACK RH.....							1	
		(ATTACHING PARTS)								
- 7	AN4-7A	BOLT, AIRCRAFT.....							2	
- 8	AN960D416	WASHER, FLAT.....							4	
- 9	NAS43HT4-15	SPACER.....							2	
- 10	AN960D616	WASHER, FLAT.....							2	
- 11	MS21042-4	NUT, SELFLOCKING.....							2	
- 12	MS20392-5C25	PIN, HEADED.....							2	
	AN960D616L	WASHER, FLAT.....							2	
	MS24665-283	PIN, COTTER.....							2	

- 13	7FM10414-11	SUPPORT ARM.....							2	
		(ATTACHING PARTS)								
- 14	MS20392-3C21	PIN, HEADED.....							1	
	AN960D416L	WASHER, FLAT.....							1	
	MS24665-132	PIN, COTTER.....							1	

- 15	7F10401-11	COVER, SEATBACK, L.....							1	
	7F10401-12	COVER, SEATBACK, R.....							1	
- 16	7F10401-15	CUSHION, SEATBACK.....							2	
- 17	7F10401-25	COVER, GUIDE.....							2	
- 18	7F10401-13	COVER, SEAT.....							2	
- 19	7F10401-17	CUSHION, SEAT.....							2	
- 20	7F10401-23	SHROUD, LH.....							1	
	7F10401-24	SHROUD, RH.....							1	
- 21	7F10415-11	ROLLER.....							4	
		(ATTACHING PARTS)								
- 22	MS20392-5C31	PIN, HEADED.....							1	
- 23	AN960D616	WASHER, FLAT.....							2	
- 24	AN960D616L	WASHER, FLAT.....							1	
- 25	MS24665-283	PIN, COTTER.....							1	

- 26	7F10407-1	HANDLE AND BELLCRANK ASSEMBLY.....							1	
		(ATTACHING PARTS)								
- 27	MS20392-2C9	PIN, HEADED.....							1	
- 28	AN960D10L	WASHER, FLAT.....							1	
- 29	MS24665-132	PIN, COTTER.....							1	

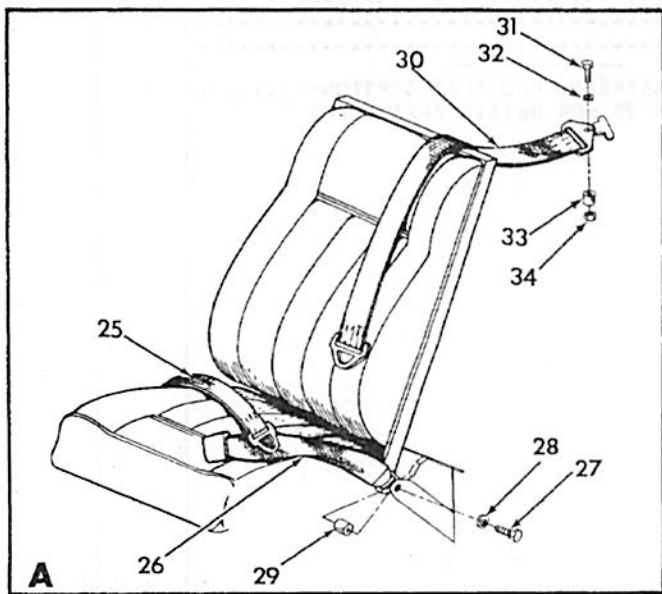
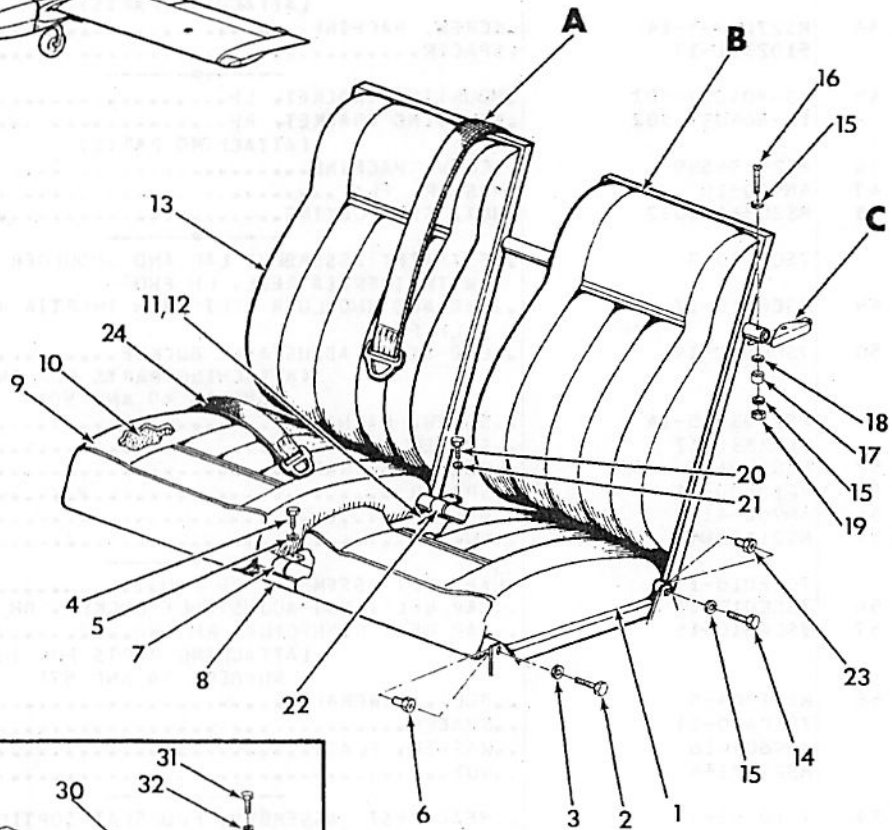
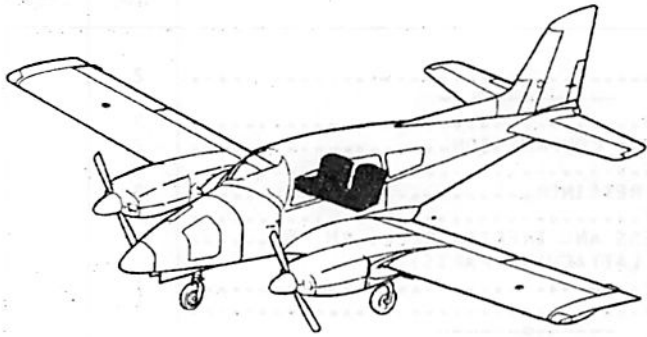
- 30	7F10407-15	LINK.....							1	
		(ATTACHING PARTS)								
- 31	MS20392-2C19	PIN, HEADED.....							2	
- 32	AN960D10L	WASHER, FLAT.....							2	
- 33	MS24665-132	PIN, COTTER.....							2	

- 34	7F10416-3	ARM ASSEMBLY.....							1	
		(ATTACHING PARTS)								
- 35	MS20392-2C25	PIN, HEADED.....							2	
- 36	AN960D10L	WASHER.....							2	

GRUMMAN AMERICAN AVIATION
GA-7/COUGAR
ILLUSTRATED PARTS CATALOG

Figure & Index No.	Part Number	Nomenclature	Units Per Assy	Usable On Code
25- 1 - 37	MS24665-132	..PIN, COTTER.....	2	
- 38	7FM10411-11	..PIN, POSITION.....	2	
- 39	MS24585-1181	..SPRING, HELICAL COMPRESSION.....	2	
- 40	MS24665-285	..PIN, COTTER.....	2	
- 41	7FM10412-11	..PLUG, SPRING RETAINER.....	2	
- 42	7F10413-11	..ARM, PIN LIFT.....	2	
- 43	7SCF010-9	..SHOULDER HARNESS AND INERTIA REEL, RH FWD..... (ATTACHING PARTS)	1	
- 44	MS27039-5-14 5102331-17	..SCREW, MACHINE..... ..SPACER.....	1 1	
- 45	13-804037-501 13-804037-502	..MOUNTING BRACKET, LF..... ..MOUNTING BRACKET, RH..... (ATTACHING PARTS)	1 1	
- 46	MS24694S59	..SCREW, MACHINE.....	4	
- 47	AN960-10	..WASHER, FLAT.....	4	
- 48	MS20364-1032	..NUT, SELFLOCKING.....	4	
	7SCF010-3	..RESTRAINT ASSEMBLY, LAP AND SHOULDER BELT..... WITH INERTIA REEL, LH FWD	1	
- 49	7SCF010-17	..LAP AND SHOULDER BELT WITH INERTIA REEL..... LH FWD	1	
- 50	7SCF010-19	..LAP BELT, ADJUSTABLE BUCKLE..... (ATTACHING PARTS FOR INDEX NUMBERS 49 AND 50)	1	
- 51	MS27039-5-14 5102331-17	..SCREW, MACHINE..... ..SPACER.....	1 1	
- 52	NAS1304-5	..BOLT, AIRCRAFT.....	2	
- 53	7F10400-11	..SPACER.....	2	
- 54	AN960-416	..WASHER.....	2	
- 55	MS21083N4	..NUT.....	2	
- 56	7SCF010-1	..LAP BELT ASSEMBLY, RH FWD.....	1	
- 57	7SCF010-11 7SCF010-15	..LAP BELT, NON-ADJUSTABLE BUCKLE, RH FWD..... ..LAP BELT CONNECTOR, RH FWD..... (ATTACHING PARTS FOR INDEX NUMBERS 56 AND 57)	1 1	
- 58	NAS1304-5 7F10400-11 AN960-416 MS21083N4	..BOLT, AIRCRAFT..... ..SPACER..... ..WASHER, FLAT..... ..NUT.....	2 2 2 2	
- 59	7F10405-7	..HEAD REST ASSEMBLY, FWD SEAT (OPTIONAL)..... (SEE CHAPTER 25 FOR DETAIL BREAKDOWN)	2	

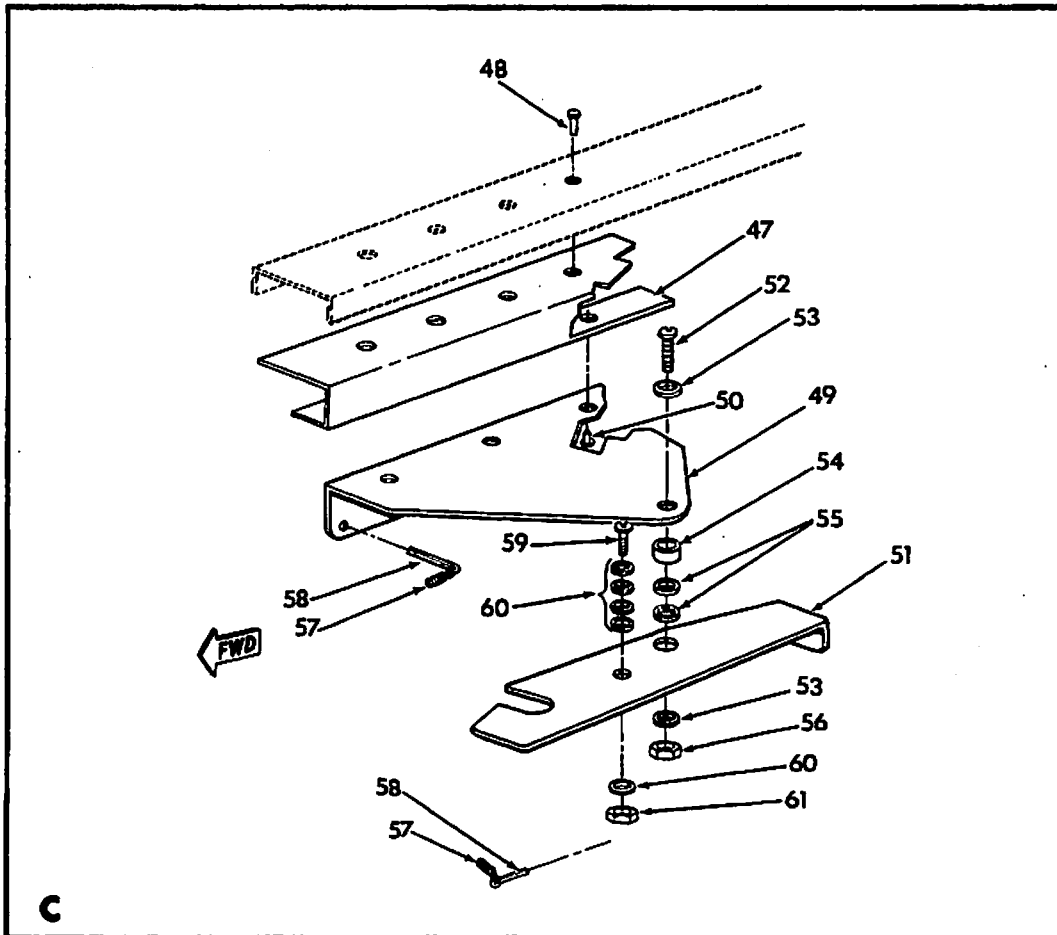
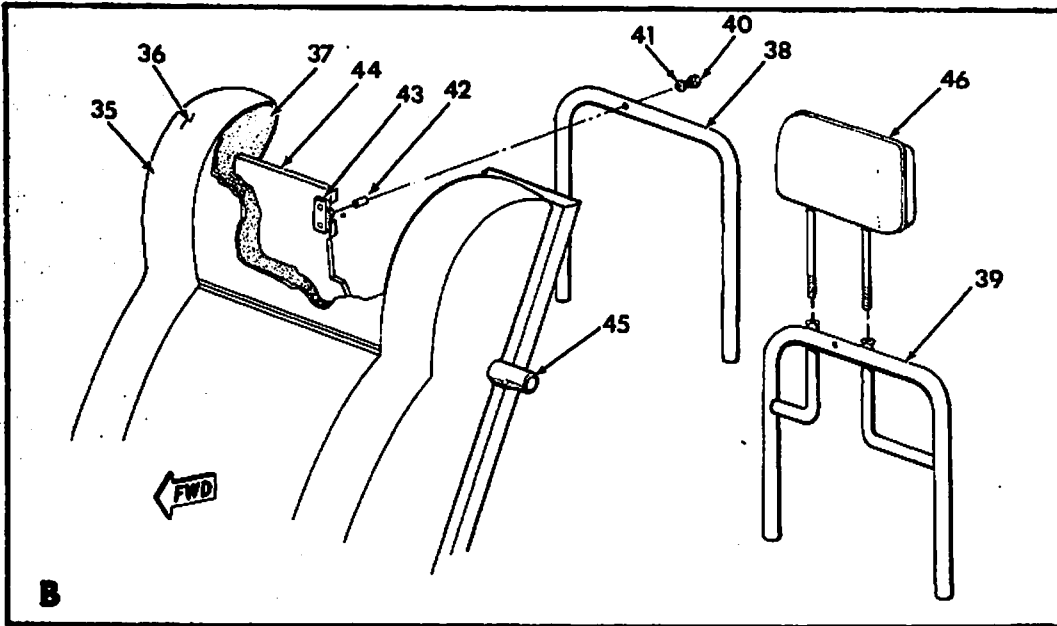
GRUMMAN AMERICAN AVIATION
GA-7/COUGAR
ILLUSTRATED PARTS CATALOG



Aft Seat and Belt Installation
 Figure 25-2 (Sheet 1 of 2)

25G74-02-1

GRUMMAN AMERICAN AVIATION
GA-7/COUGAR
ILLUSTRATED PARTS CATALOG



Aft Seat and Belt Installation
Figure 25-2 (Sheet 2 of 2)

25G74-02-2

GRUMMAN AMERICAN AVIATION

GA-7/COUGAR

ILLUSTRATED PARTS CATALOG

Figure & Index No.	Part Number	Nomenclature	Units	Usable On Code
			Per Assy	
		1 2 3 4 5 6 7		
25- 2 -	7F10420-1	SEAT AND BELT INSTALLATION, AFT (STANDARD).....	RF	
	7F10420-3	SEAT AND BELT INSTALLATION, AFT (OPTIONAL).....	RF	
- 1	7F10421-3	..SEAT BOTTOM ASSEMBLY.....	1	
		(ATTACHING PARTS)		
- 2	MS27039-1-09	..SCREW, MACHINE.....	2	
- 3	AN960-10L	..WASHER, FLAT.....	2	
- 4	MS27039-1-10	..SCREW, MACHINE.....	2	
- 5	AN960D10	..WASHER, FLAT.....	2	

- 6	5102334-501	..COLLAR ASSEMBLY, SEAT PIVOT.....	2	
- 7	7B10701-35	..CLAMP.....	1	
- 8	7F10421-13	..DECK.....	1	
- 9	7F10421-47	..COVER.....	1	
- 10	7F10421-49	..CUSHION.....	1	
- 11	7F10421-51	..COVER.....	1	
- 12	7F10421-53	..CUSHION.....	1	
- 13	7F10421-1	..SEAT BACK ASSEMBLY (STANDARD).....	1	
	7F10421-7	..SEAT BACK ASSEMBLY (OPTIONAL).....	1	
		(ATTACHING PARTS)		
- 14	MS27039-1-09	..SCREW, MACHINE.....	2	
- 15	AN960-10L	..WASHER, FLAT.....	5	
- 16	MS27039-1-28	..SCREW, MACHINE.....	2	
- 17	5102335-7	..SPACER, SLEEVE.....	2	
- 18	AN970-3	..WASHER, FLAT.....	2	
- 19	MS21042-3	..NUT, SELFLOCKING.....	2	
- 20	MS27039-1-10	..SCREW, MACHINE.....	2	
- 21	AN960D10	..WASHER, FLAT.....	2	

- 22	7B10701-35	..CLAMP.....	1	
- 23	5102334-501	..COLLAR ASSEMBLY, SEAT BACK PIVOT.....	2	
- 24	7SCF010-5	..LAP BELT ASSEMBLY, RH AND LH.....	2	
- 25	7SCF010-15	..LAP BELT, CONNECTOR.....	2	
- 26	7SCF010-13	..LAP BELT, BUCKLE NONADJUSTABLE.....	2	
		(ATTACHING PARTS FOR INDEX NUMBERS 25 AND 26)		
- 27	MS27039-5-15	..SCREW, MACHINE.....	1	
- 28	AN960-516	..WASHER, FLAT.....	1	
- 29	5102331-18	..SPACER.....	1	

- 30	7SCF010-7	..SHOULDER HARNESS.....	2	
		(ATTACHING PARTS)		
- 31	MS27039-5-14	..SCREW, MACHINE.....	1	
- 32	AN960-516	..WASHER, FLAT.....	1	
- 33	5102331-18	..SPACER.....	1	
- 34	MS20364-524	..NUT, SELFLOCKING.....	1	

- 35	7F10421-5	..CUSHION ASSEMBLY, SEATBACK (SEE INDEX NUMBER 13 FOR NHA).....	2	
- 36	7F10421-23	..SEAT BACK COVER.....	2	
- 37	7F10421-21	..SEAT BACK CUSHION.....	2	
- 38	7F10422-5	..SUPPORT ASSEMBLY, (STANDARD).....	2	
- 39	7F10422-7	..SUPPORT ASSEMBLY, (OPTIONAL HEADREST).....	2	
		(ATTACHING PARTS)		
- 40	MS35206-251	..SCREW, MACHINE.....	3	
- 41	AN960-8	..WASHER, FLAT.....	3	
- 42	NAS43003-32	..SPACER.....	3	

- 43	A8-75	..RIVNUT.....	3	
- 44	7F10423-11	..SEAT BACK CLOSURE.....	1	

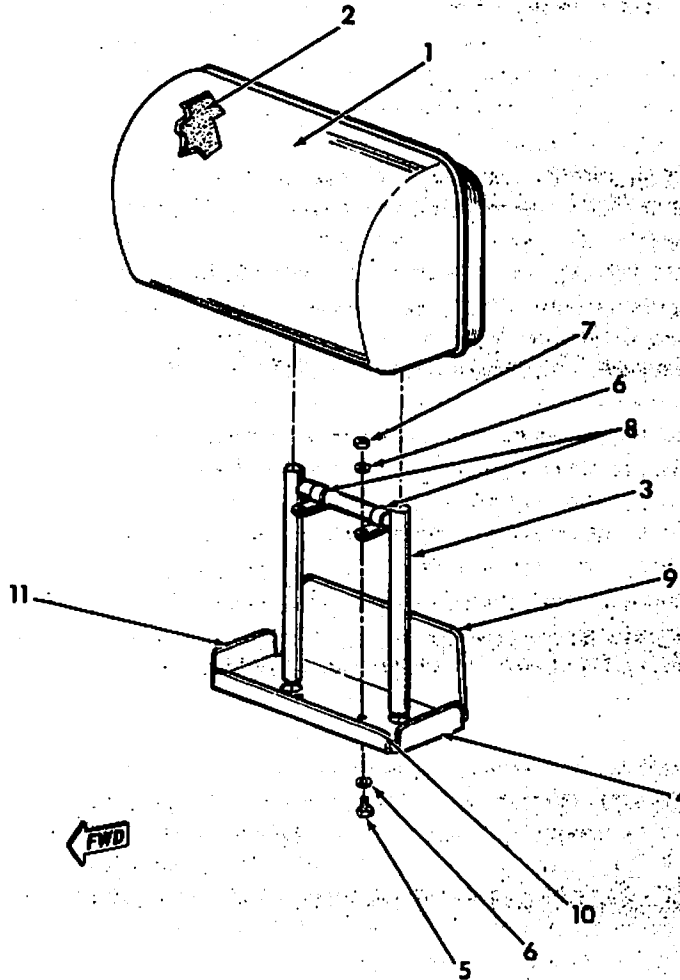
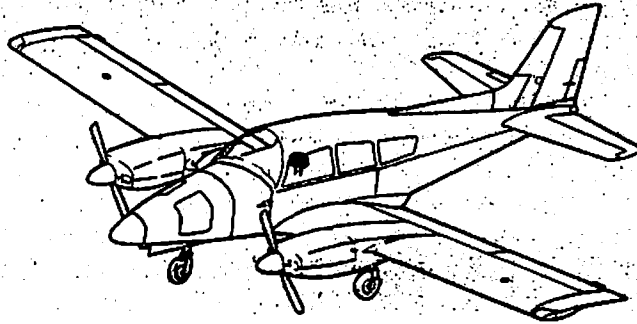
GRUMMAN AMERICAN AVIATION

GA-7/COUGAR

ILLUSTRATED PARTS CATALOG

Figure & Index No.	Part Number	Nomenclature	Units Per Assy	Usable On Code
25- 2 - 45	7F10421-1	..FRAME ASSEMBLY, SEAT BACK.....	1	
- 46	7F10405-7	..HEAD REST ASSEMBLY, AFT SEAT (OPTIONAL)..... (SEE FIGURE 25-3 FOR DETAIL BREAKDOWN)	2	
- 47	7F10425-11	..BRACKET, LATCH, REAR SEAT BACK, LH.....	1	
	7F10425-12	..BRACKET, LATCH, REAR SEAT BACK, RH..... (ATTACHING PARTS)	1	
- 48	1601-0410	..RIVET (19738).....	4	
- 49	7F10424-15	..BRACKET, REAR SEAT BACK LATCH..... (ATTACHING PARTS)	2	
- 50	1601-0410	..RIVET (19738).....	3	
- 51	5102335-3	..LATCH, REAR SEAT BACK, LH.....	1	
	5102335-4	..LATCH, REAR SEAT BACK, RH..... (ATTACHING PARTS)	1	
- 52	AN3-6A	..BOLT, AIRCRAFT.....	1	
- 53	AN960-10L	..WASHER, FLAT.....	2	
- 54	5102335-7	..SLEEVE.....	1	
- 55	AN970-4	..WASHER, FLAT.....	2	
- 56	MS20364-1032	..NUT, SELFLOCKING.....	1	
- 57	LE026C3	..SPRING, HELICAL COMPRESSION (84830)..... (ATTACHING PARTS)	1	
- 58	MS24665-132	..PIN, COTTER.....	2	
- 59	AN23-10	..BOLT, CLEVIS.....	1	
- 60	AN960-10	..WASHER, FLAT.....	5	
- 61	AN320-3	..NUT, CASTELLATED.....	1	

GRUMMAN AMERICAN AVIATION
GA-7/COUGAR
ILLUSTRATED PARTS CATALOG



Forward and Aft Seat Head Rest Assembly (Optional)
Figure 25-3

25G74-03

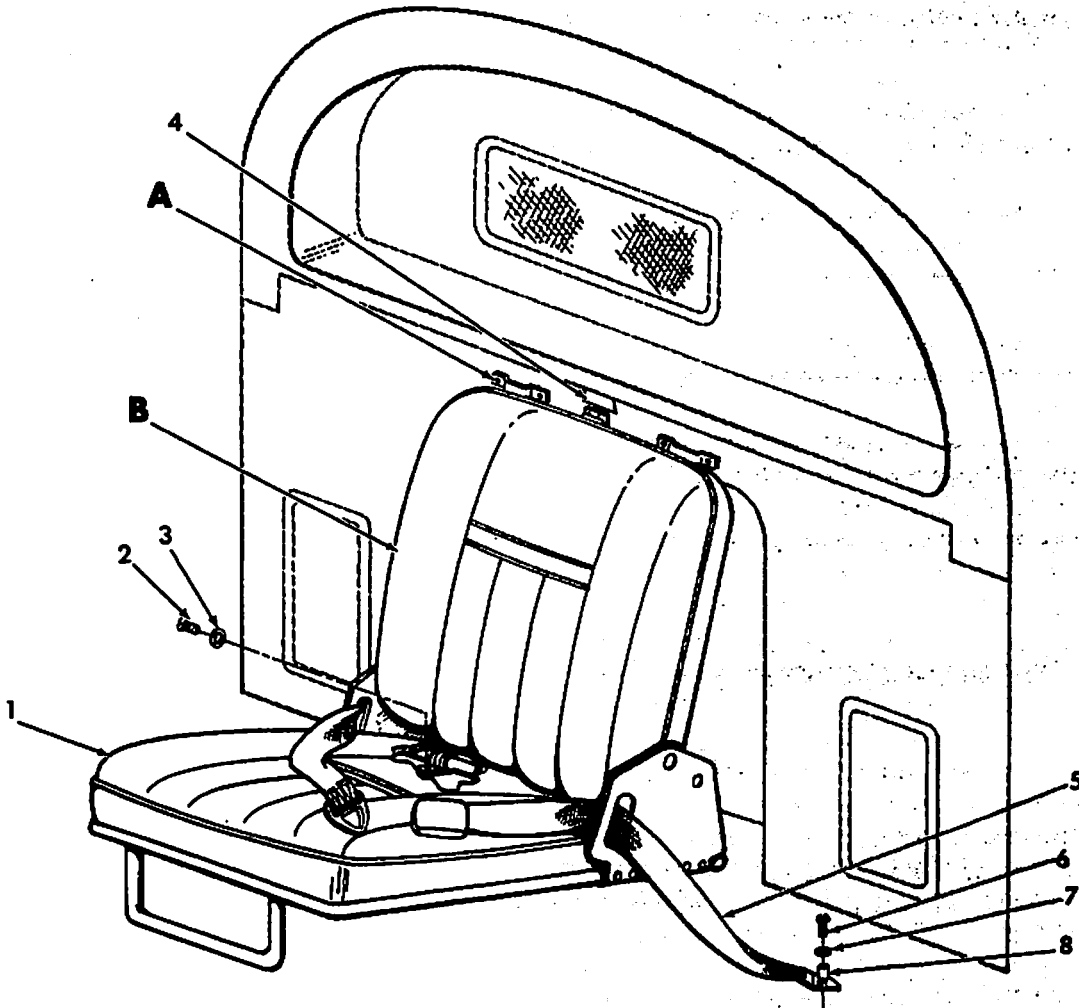
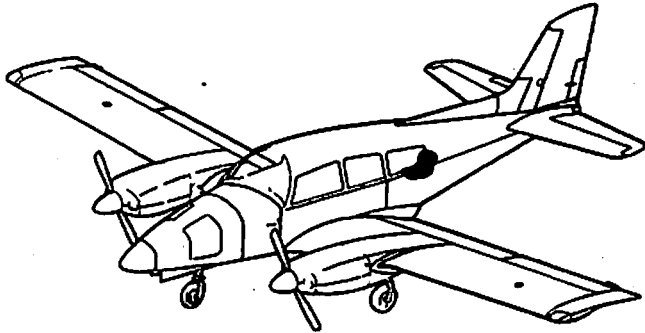
GRUMMAN AMERICAN AVIATION

GA-7/COUGAR

ILLUSTRATED PARTS CATALOG

Figure & Index No.	Part Number	Nomenclature 1 2 3 4 5 6 7	Units Per Assy	Usable On Code
25- 3 -	7F10405-7	HEAD REST ASSEMBLY, FWD AND AFT SEATS..... (OPTIONAL)	RF	
- 1	7F10405-25	.COVER.....	1	
- 2	7F10405-27	.CUSHION.....	1	
- 3	7F10405-5	.LEG ASSEMBLY.....	1	
- 4	7F10405-9	.SUPPORT ASSEMBLY..... (ATTACHING PARTS)	1	
- 5	NAS221-9	.SCREW, MACHINE.....	2	
- 6	AN960-10L	.WASHER, FLAT.....	4	
- 7	MS21042-3	.NUT, SELFLOCKING.....	2	
- 8	MS21103-7	.CLAMP.....	2	
- 9	GAES404-1-11.80	.SEAL.....	1	
- 10	GAES404-1-07.70	.SEAL.....	1	
- 11	GAES404-1-02.10	.SEAL.....	2	

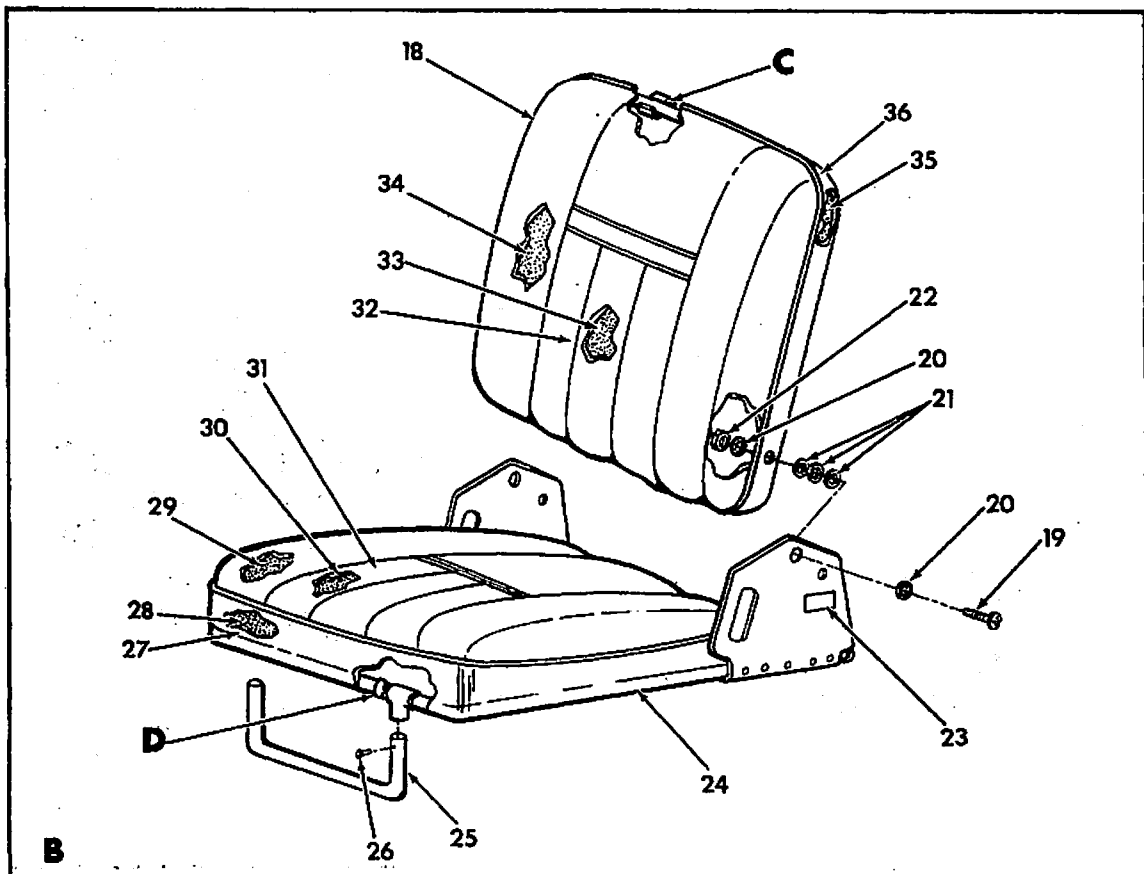
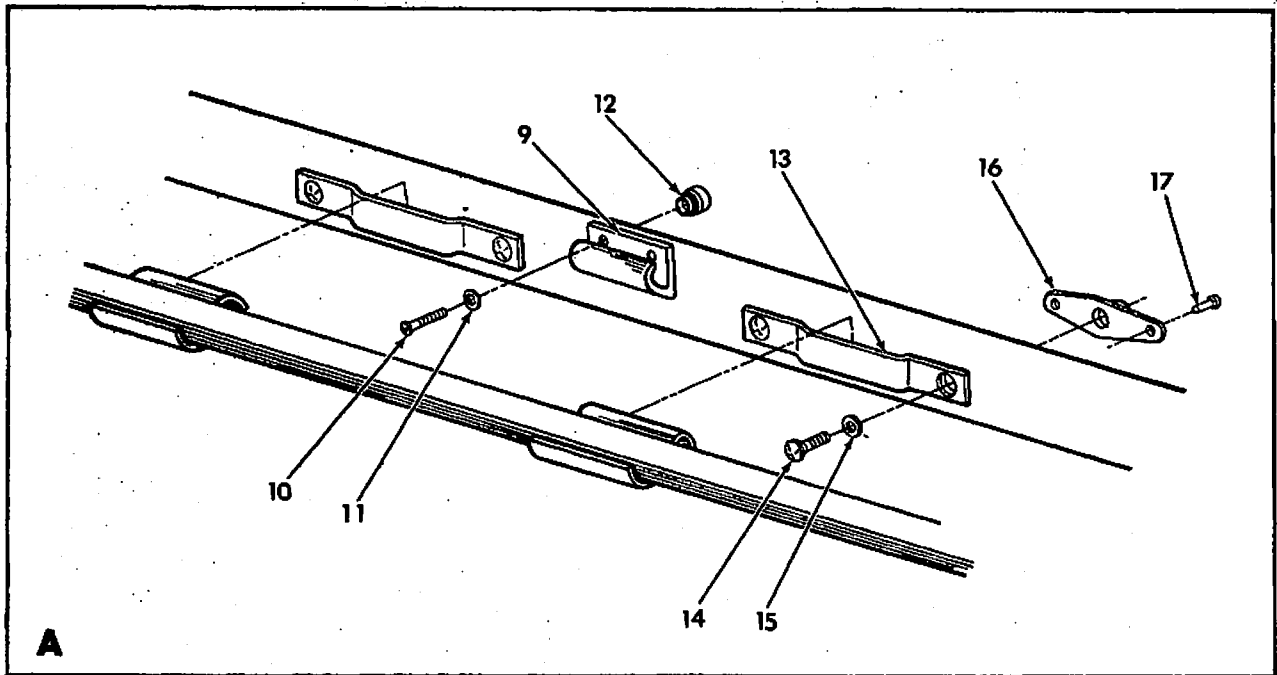
GRUMMAN AMERICAN AVIATION
GA-7/COUGAR
ILLUSTRATED PARTS CATALOG



Child's Seat Installation (Optional)
Figure 25-4 (Sheet 1 of 3)

28074-04-1

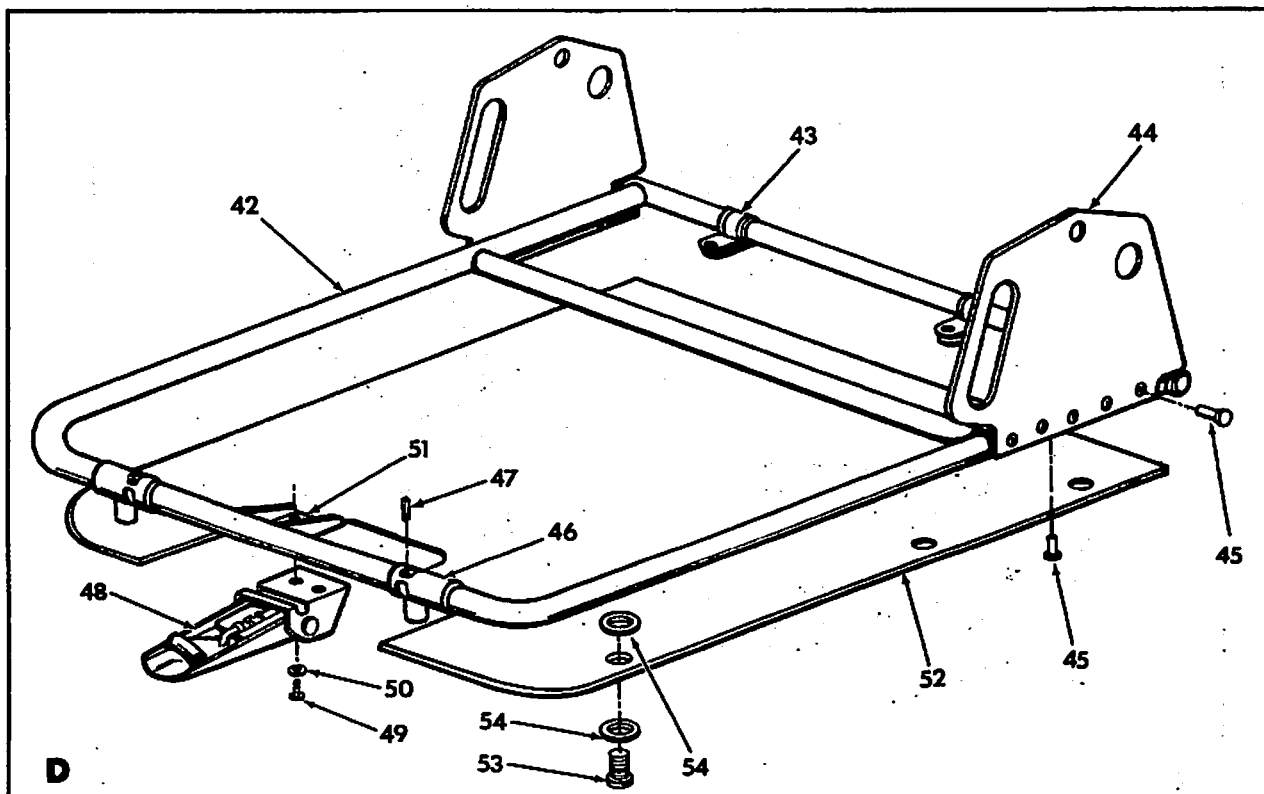
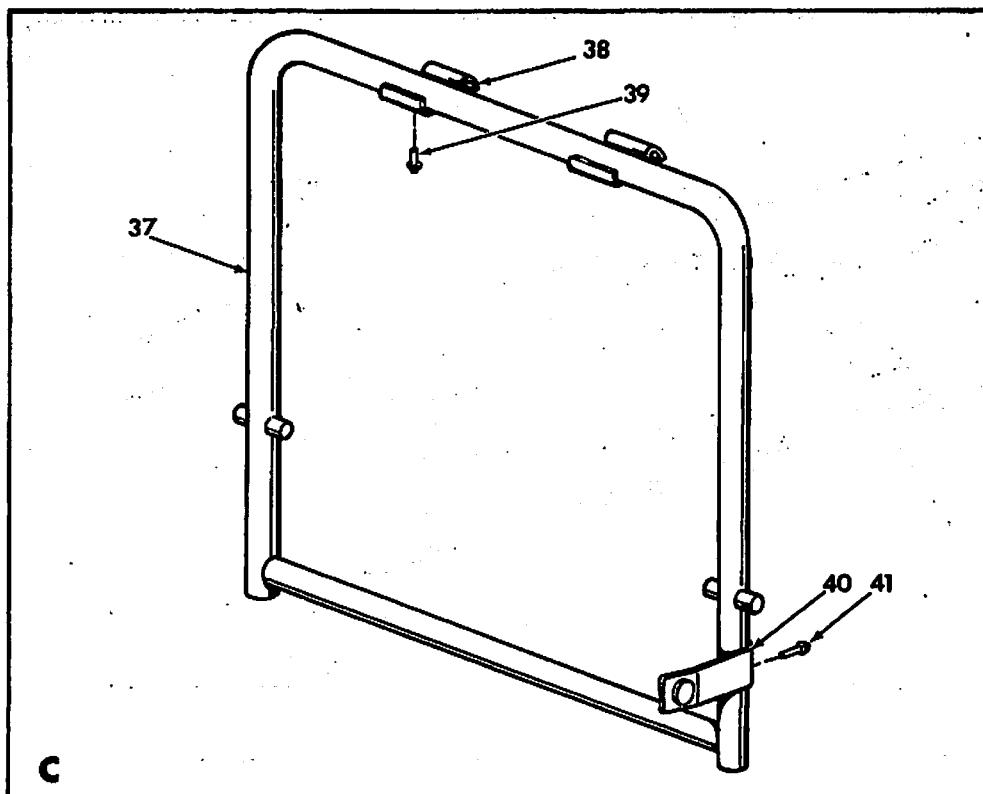
GRUMMAN AMERICAN AVIATION
GA-7/COUGAR
ILLUSTRATED PARTS CATALOG



Child's Seat Installation (Optional)
 Figure 25-4 (Sheet 2 of 3)

25G74-04-2

GRUMMAN AMERICAN AVIATION
GA-7/COUGAR
ILLUSTRATED PARTS CATALOG



Child's Seat Installation (Optional)
 Figure 25-4 (Sheet 3 of 3)

25G74-04-3

GRUMMAN AMERICAN AVIATION

GA-7/COUGAR

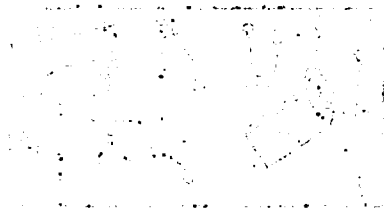
ILLUSTRATED PARTS CATALOG

Figure & Index No.	Part Number	Nomenclature	Units Per Assy	Usable On Code
25- 4 -	7F10430-1	SEAT INSTALLATION, CHILD'S (OPTIONAL).....	RF	
- 1	7F10431-1	..SEAT ASSEMBLY, CHILD'S (OPTIONAL)..... (ATTACHING PARTS)	1	
- 2	NAS221-10	..SCREW.....	2	
- 3	AN960-10L	..WASHER.....	2	
- 4	7F10038-55	..PLACARD.....	1	
- 5	NO NUMBER	..SEAT BELT ASSEMBLY (PART NUMBER TO BE SUPPLIED) (ATTACHING PARTS)	1	
- 6	NAS221-13	..SCREW, MACHINE.....	2	
- 7	AN960-10L	..WASHER, FLAT.....	2	
- 8	12-902017-2	..BUSHING.....	2	
- 9	51L8-1AA	..HOOK, SEAT STOWAGE (71286)..... (ATTACHING PARTS)	1	
- 10	MS35206-230	..SCREW, MACHINE.....	2	
- 11	MS45904-54	..WASHER, FLAT.....	2	
- 12	D6000-06A	..NUT, FLARE.....	2	
- 13	7F10433-19	..CATCH BAR..... (ATTACHING PARTS)	2	
- 14	NAS221-12	..SCREW, MACHINE.....	2	
- 15	AN960-10L	..WASHER, FLAT.....	2	
- 16	MS21078-3	..NUT, PLATE..... (ATTACHING PARTS)	4	
- 17	MS20426AD3	..RIVET.....	2	
- 18	7F10431-5	..SEAT BACK ASSEMBLY..... (ATTACHING PARTS)	1	
- 19	NAS222-25	..SCREW, MACHINE.....	2	
- 20	AN960-416L	..WASHER, FLAT.....	2	
- 21	AN960-516	..WASHER, FLAT.....	6	
- 22	MS20365-428	..NUT.....	2	
- 23	7F10038-11	..PLACARD.....	2	
- 24	7F10431-3	..SEAT BASE ASSEMBLY.....	1	
- 25	7F10433-17	..SUPPORT..... (ATTACHING PARTS)	1	
- 26	NAS1398D4-2	..RIVET.....	2	
- 27	7F10431-29	..COVER.....	1	
- 28	7F10431-17	..FOAM PAD.....	1	
- 29	7F10431-25	..BOLSTER PAD.....	1	
- 30	7F10431-21	..FOAM PAD.....	1	
- 31	7F10431-33	..FABRIC INSERT.....	1	
- 32	7F10431-31	..FABRIC INSERT.....	1	
- 33	7F10431-19	..FOAM PAD.....	1	
- 34	7F10431-23	..BOLSTER PAD.....	1	
- 35	7F10431-15	..FOAM PAD.....	1	
- 36	7F10431-27	..COVER.....	1	
- 37	7F10432-5	..FRAME ASSEMBLY, BACK.....	1	
- 38	7F10433-15	..HANGER..... (ATTACHING PARTS)	2	
- 39	NAS1398D4-3	..RIVET.....	2	
- 40	7F10433-1	..SPRING BUTTON ASSEMBLY.....	1	

GRUMMAN AMERICAN AVIATION
GA-7/COUGAR
ILLUSTRATED PARTS CATALOG

Figure & Index No.	Part Number	Nomenclature							Units Per Assy	Usable On Code
		1	2	3	4	5	6	7		
25- 4 - 41	NAS1398D4-1	...RIVET..... (ATTACHING PARTS)							2	
- 42	7F10432-7	..FRAME ASSEMBLY, LOWER.....							1	
- 43	GC500AN10DT	...CLAMP.....							2	
- 44	7F10432-15	...PLATE, RH.....							1	
	7F10432-16	...PLATE, LH.....							1	
- 45	NAS1398D4-3	...RIVET..... (ATTACHING PARTS)							9	
- 46	7F10432-3	...FITTING, SUPPORT TUBE, RH.....							1	
	7F10432-4	...FITTING, SUPPORT TUBE, LH.....							1	
- 47	NAS561P4-14	...ROLL PIN.....							2	
- 48	SILI-1-1AB	..LATCH ASSEMBLY (71286).....							1	
- 49	MS35206-228	..SCREW, MACHINE.....							2	
- 50	MS45904-54	..WASHER, LOCK.....							2	
- 51	D6000-06A	..NUT, FLARE (11139).....							2	
- 52	7F10431-35	..COVER, FRAME..... (ATTACHING PARTS)							1	
- 53	GAES1021Z8-6	..SCREW.....							8	
- 54	AN960-8	..WASHER, FLAT.....							16	

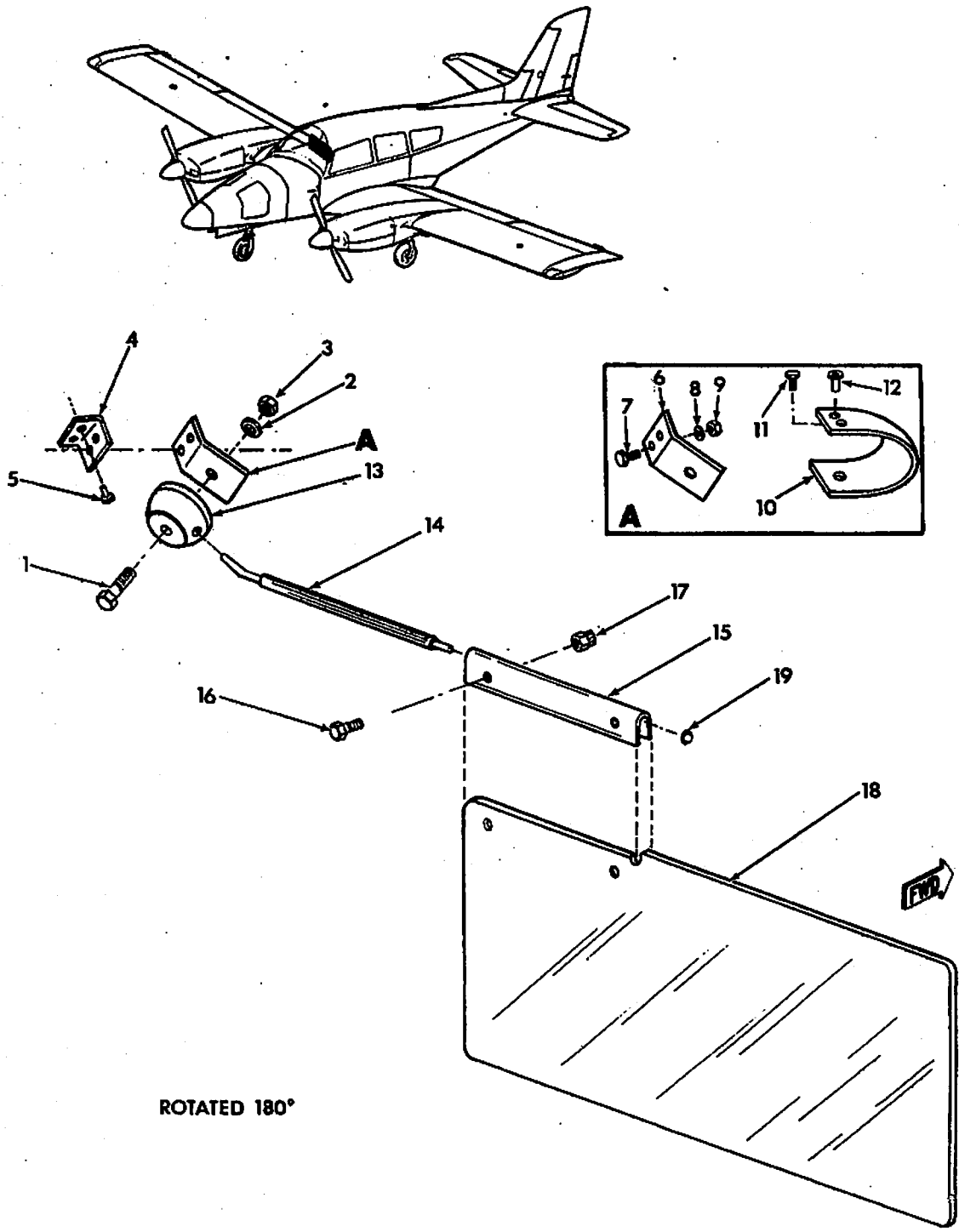
THE UNIVERSITY OF CHICAGO
DEPARTMENT OF CHEMISTRY
5800 S. UNIVERSITY AVE. CHICAGO, ILL. 60637



THE UNIVERSITY OF CHICAGO
DEPARTMENT OF CHEMISTRY
5800 S. UNIVERSITY AVE. CHICAGO, ILL. 60637

100
100
100

GRUMMAN AMERICAN AVIATION
GA-7/COUGAR
ILLUSTRATED PARTS CATALOG



ROTATED 180°

Sun Visor Installation (Optional)
 Figure 25-5

25G74-05

GRUMMAN AMERICAN AVIATION
GA-7/COUGAR
ILLUSTRATED PARTS CATALOG

Figure & Index No.	Part Number	Nomenclature							Units Per Assy	Usable On- Code	
		1	2	3	4	5	6	7			
25- 5 -	7F10047-1	SUN VISOR INSTALLATION, LH (OPTIONAL).....							RF		
	7F10047-3	SUN VISOR INSTALLATION, RH (OPTIONAL).....							RF		
	7F10077-1	.SUN VISOR ASSEMBLY.....							2		
		(ATTACHING PARTS)									
	- 1	MS24693S276	.SCREW.....							1	
	- 2	3502-10-78	.WASHER, SPRING (UNDER NUT).....							1	
	- 3	MS20364-1032	.NUT, SELFLOCKING.....							1	

	- 4	7F10077-17	.BRACKET (USED ONLY ON 7F10047-1).....							1	
		(ATTACHING PARTS)									
	- 5	1604-0412	.RIVET.....							2	

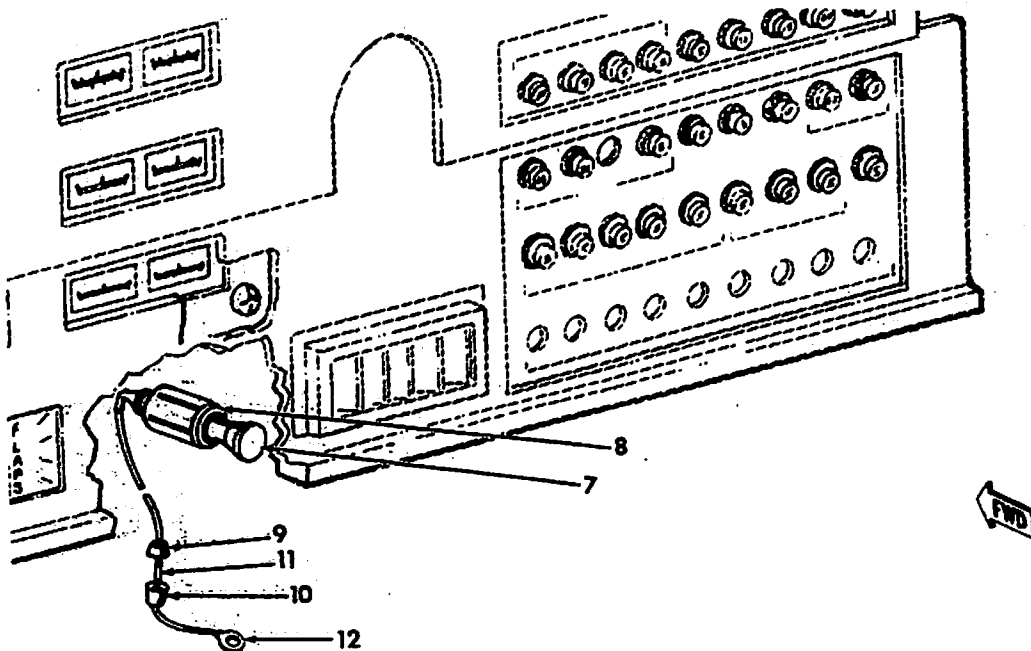
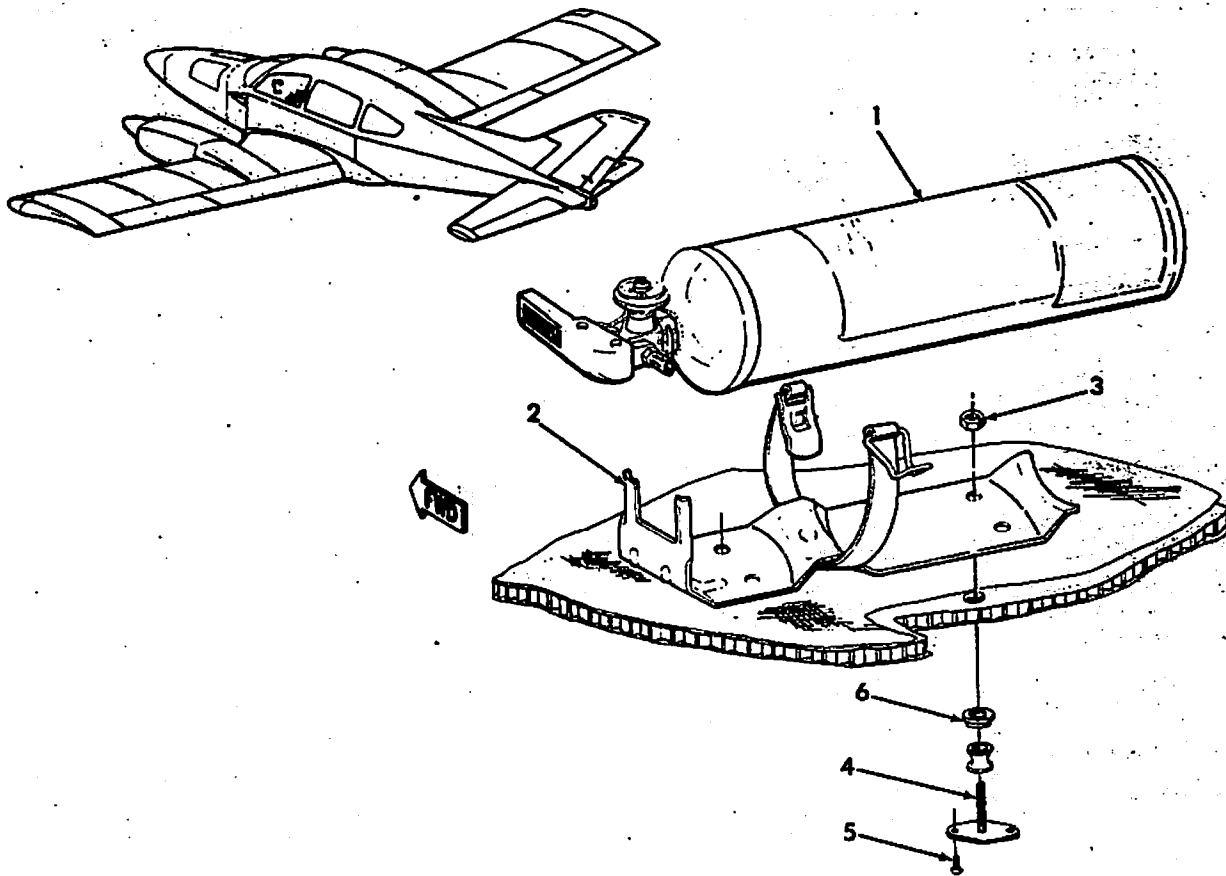
	- 6	7F10077-19	.BRACKET (USED ONLY ON 7F10047-1).....							1	
		(ATTACHING PARTS)									
	- 7	MS35214-40	.SCREW, MACHINE.....							2	
	- 8	AN960DB	.WASHER, FLAT.....							2	
	- 9	MS20364-832	.NUT, SELFLOCKING.....							2	

	- 10	7F10077-21	.BRACKET (USED ONLY ON 7F10047-3).....							1	
	(ATTACHING PARTS)										
- 11	NAS1190E08-5N	.SCREW, MACHINE.....							2		
- 12	SSBK75	.RIVNUT.....							2		

- 13	7F10077-15	.RETAINER.....							2		
- 14	7F10077-3	.ROD.....							2		
- 15	7F10077-11	.CAP, VISOR.....							2		
	(ATTACHING PARTS)										
- 16	MS35214-41	.SCREW, MACHINE.....							2		
- 17	MS20364-832	.NUT, SELFLOCKING.....							2		

- 18	5804034-6	.VISOR.....							2		
	(ATTACHING PARTS)										
- 19	PW188007	.PUSHNUT (77122).....							2		

GRUMMAN AMERICAN AVIATION
GA-7/CJUGAR
ILLUSTRATED PARTS CATALOG



Fire Extinguisher and Cigar Lighter Installation (Optional)
Figure 25-6

25G74-06

GRUMMAN AMERICAN AVIATION

**GA-7/COUGAR
ILLUSTRATED PARTS CATALOG**

Figure & Index No.	Part Number	Nomenclature	Units Per Assy	Usable On Code
25- 6 -	7F10910-1	FIRE EXTINGUISHER INSTALLATION (OPTIONAL).....	RF	
- 1	7F10910-3	CIGAR LIGHTER INSTALLATION (OPTIONAL).....	RF	
- 2	CP2-3/4G	.FIRE EXTINGUISHER (99539) (FLOOR MOUNTED).....	1	
	32543	.BRACKET (99539).....	1	
		(ATTACHING PARTS)		
- 3	MS21042L3	.NUT, SELFLOCKING.....	4	
- 4	GAES200-6	.FASTENER.....	4	
		(ATTACHING PARTS)		
- 5	1601-0410	.RIVET.....	2	
- 6	GAES200-8	.CAP.....	4	
- 7	200100	.POP-OUT UNIT (10966) (PART OF CIGAR LIGHTER... INSTALLATION)	1	
- 8	200605	.HOUSING ASSEMBLY (10966).....	1	
- 9	200402	.CORD ASSEMBLY (10966).....	1	
- 10	HHJ	.FUSE HOLDER (71400).....	1	
- 11	AGC10	.FUSE (71400).....	1	
- 12	BB823-08	.TERMINAL.....	1	

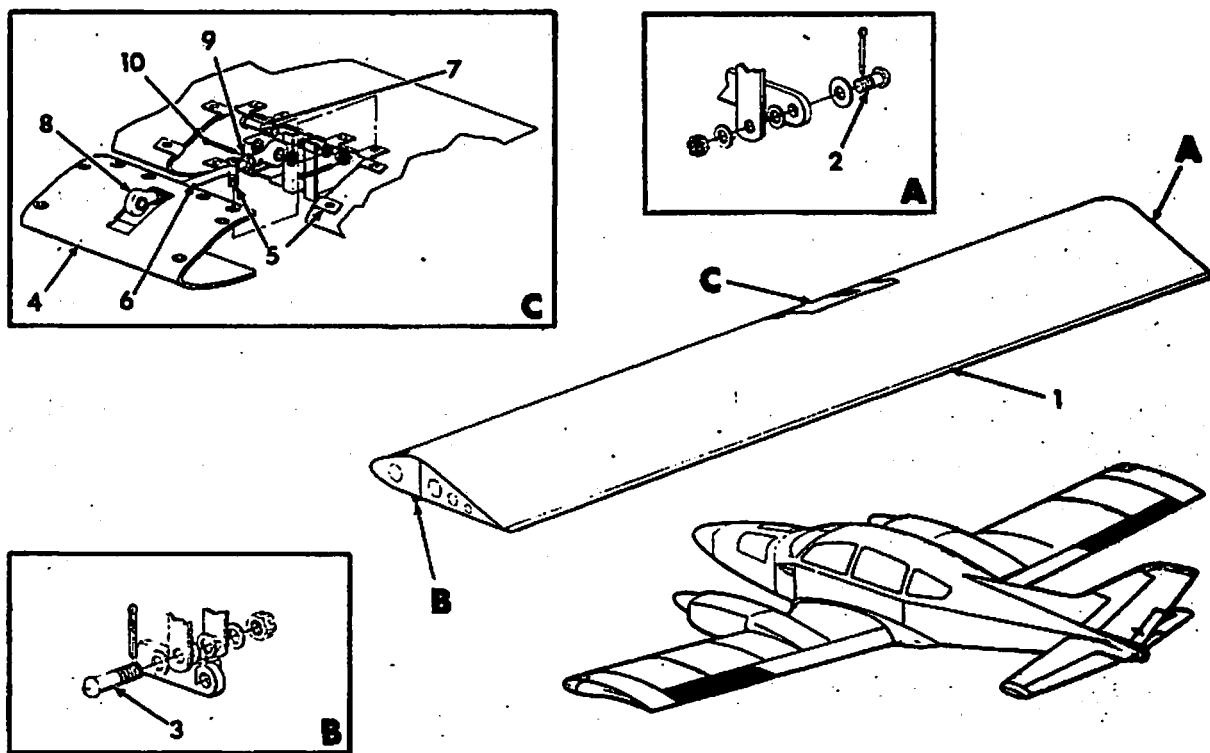
CHAPTER 27

FLIGHT CONTROLS

TABLE OF CONTENTS

<u>SUBJECT</u>	<u>FIGURE NUMBER</u>
AILERON INSTALLATION	27-1
AILERON CONTROL INSTALLATION	27-2
FLAP DRIVE SYSTEM INSTALLATION	27-3
FLAP INSTALLATION	27-4
RUDDER INSTALLATION	27-5
RUDDER CONTROL INSTALLATION	27-6
ELEVATOR INSTALLATION	27-7
ELEVATOR CONTROL INSTALLATION	27-8
CONTROL COLUMN INSTALLATION	27-9
AILERON TRIM CONTROL INSTALLATION	27-10
ELEVATOR TRIM CONTROL INSTALLATION	27-11
RUDDER TRIM CONTROL INSTALLATION	27-12
BOBWEIGHT INSTALLATION	27-13
FLAP DRIVE ELECTRICAL AND INDICATING SYSTEM INSTALLATION	27-14
FLAP AND STALL WARNING SYSTEM INSTALLATION	27-15

GRUMMAN AMERICAN AVIATION
GA-7/COUGAR
ILLUSTRATED PARTS CATALOG

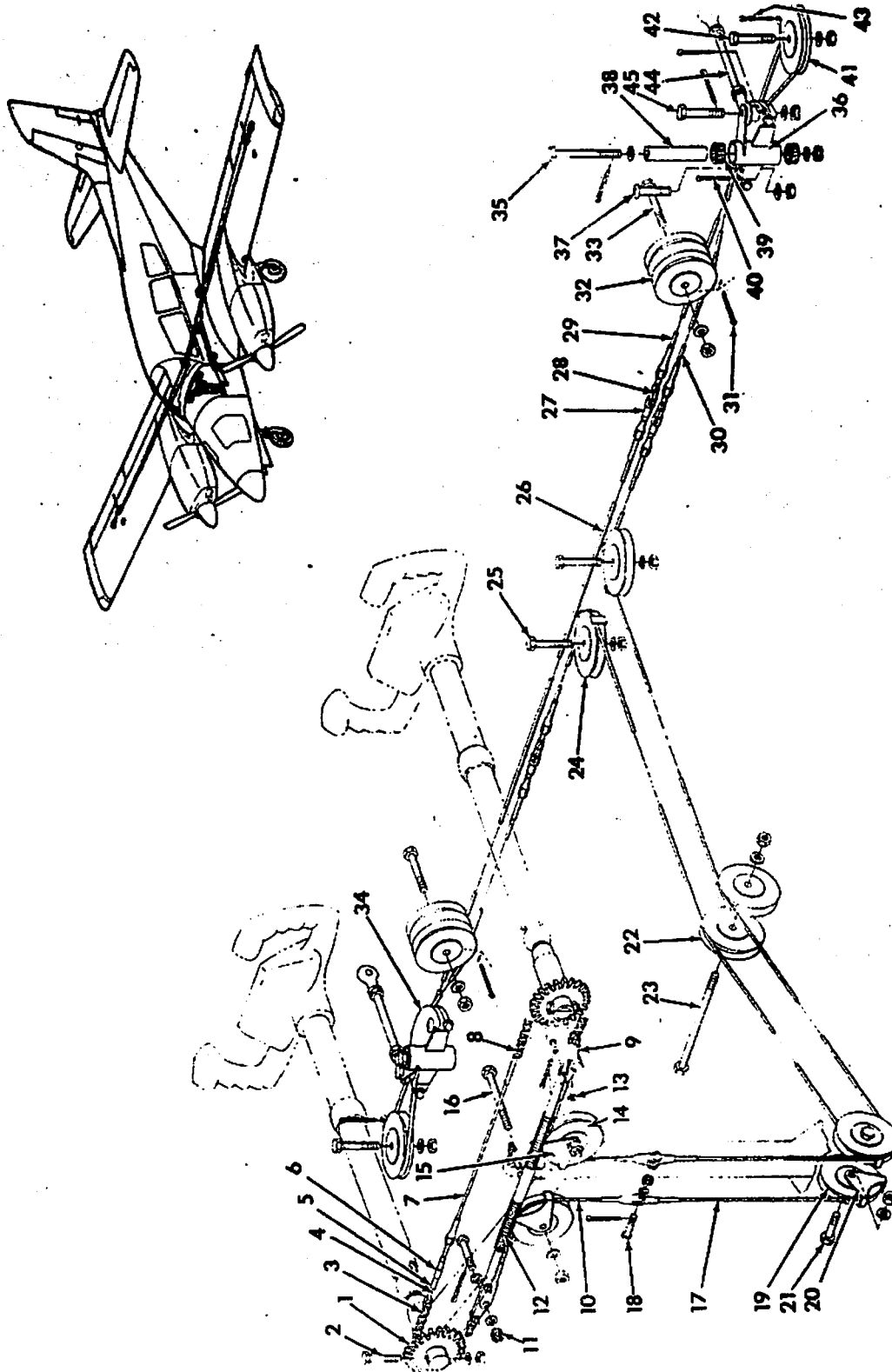


Aileron Installation
Figure 27-1

2707401-1

GRUMMAN AMERICAN AVIATION
GA-7/COUGAR
ILLUSTRATED PARTS CATALOG

Figure & Index No.	Part Number	Nomenclature 1 2 3 4 5 6 7	Units Per Assy	Usable On Code
27- 1 -	7CS10800-1	AILERON INSTALLATION,LH (SEE FIGURE 57-1..... FOR NHA)	RF	
	7CS10800-2	AILERON INSTALLATION,RH (SEE FIGURE 57-1..... FOR NHA)	RF	
- 1	7CS10801-1	.AILERON ASSEMBLY,Lp.....	1	
	7CS10801-2	.AILERON ASSEMBLY,Rh..... (ATTACHING PARTS)	1	
- 2	MS24665-132	.PIN,COTTER.....	1	
	AN24-13	.BOLT,CLEVIS.....	1	
	AN970-4	.WASHER,FLAT.....	1	
	AN960-416	.WASHER,FLAT.....	1	
	AN960-416L	.WASHER,FLAT.....	1	
	AN320-4	.NUT,SELF-LOCKING,CASTELLATED.....	1	
- 3	MS24665-132	.PIN,COTTER.....	1	
	AN24-14	.BOLT,CLEVIS.....	2	
	AN960-416	.WASHER,FLAT.....	2	
	AN960-416L	.WASHER,FLAT.....	AR	
	AN320-4	.NUT,SELF-LOCKING,CASTELLATED.....	2	
- 4	7CS10801-13	..COVER..... (ATTACHING PARTS)	1	
- 5	GAES102226-6	..SCREW,MACHINE.....	16	
	NAS396-2-1	..NUT,CLIP.....	16	
- 6	7C10402-1	.ROD ASSEMBLY,PUSH..... (ATTACHING PARTS)	1	
- 7	MS24665-132	.PIN,COTTER.....	1	
	NAS464P4-10	.BOLT.....	1	
	AN960-416	.WASHER,FLAT.....	3	
	AN320-4	.NUT,SELF-LOCKING CASTELLATED.....	1	
- 8	HF-4GM	..ROD,ENC.....	2	
- 9	AN316-4R	..NUT.....	2	
- 10	MS24665-132	..PIN,COTTER.....	1	



Alleron Control Installation
Figure 27-2

27G74-02-1

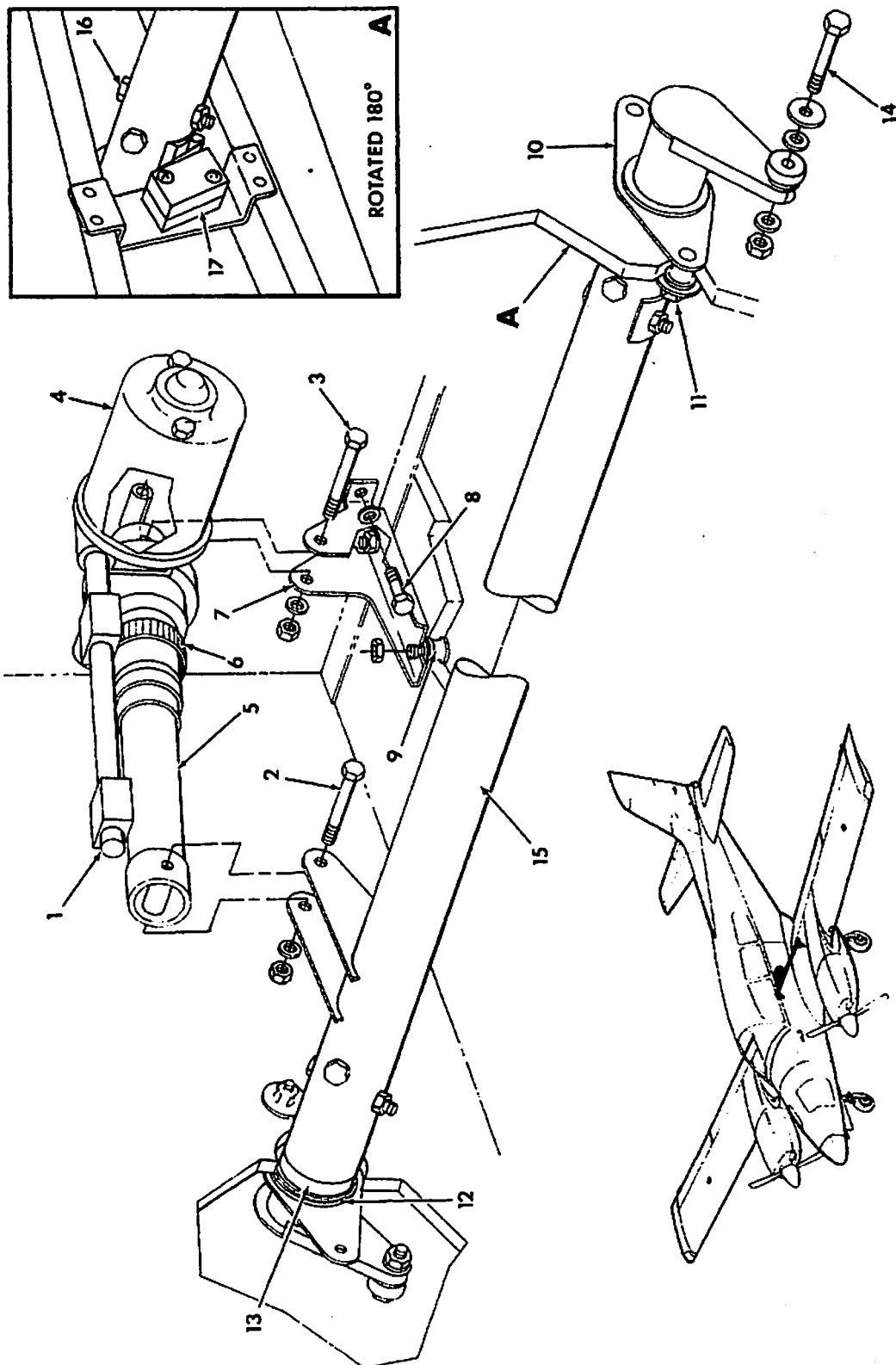
GRUMMAN AMERICAN AVIATION
GA-7/COUGAR
ILLUSTRATED PARTS CATALOG

Figure & Index No.	Part Number	Nomenclature							Units Per Assy	Usable On Code
		1	2	3	4	5	6	7		
27- 2 -	7C10200-1	CONTROL INSTALLATION,AILERON,WING (LH).....							RF	
	7C10200-2	CONTROL INSTALLATION,AILERON,WING (RH).....							RF	
- 1	7CM10102-11	.SPROCKET.....							2	
		(ATTACHING PARTS)								
- 2	NAS464P4-A14	.BOLT,MACHINE,AIRCRAFT.....							2	
	AN960-416	.WASHER,FLAT (UNDER NUT).....							2	
	MS20364-428C	.NUT.....							2	
- 3	7C10100-11	.CHAIN.....							2	
- 4	NAS288-35LH	.EYE,TURNBUCKLE.....							1	
- 5	MS20995-C32	.SAFETYWIRE.....							AR	
- 6	MS21251B5S	.TURNBUCKLE.....							1	
- 7	7C10150-1	.CABLE ASSEMBLY,AILERON COLUMN.....							1	
- 8	ASA STD 35	.LINK,CONNECTING,SPRING TYPE.....							2	
	NO NUMBER	LINK INSTALLATION,CONTROL COLUMN CHAIN.....							RF	
		(REFERENCE GAAC DRAWING 7C10116)								
- 9	7C10116-3	.LINK ASSEMBLY.....							2	
	7C10116-11	.LINK.....							2	
- 10	7C10150-3	.CABLE ASSEMBLY,AILERON COLUMN.....							2	
		(ATTACHING PARTS)								
- 11	AN23-12	.BOLT,CLEVIS.....							2	
	AN960-10L	.WASHER,FLAT.....							4	
	AN960-10	.WASHER,FLAT (UNDER NUT).....							2	
	AN320-3	.NUT.....							2	
	MS24665-132	.PIN,COTTER.....							2	
- 12	7CM10615-1	.BUNGEE ASSEMBLY,AILERON TRIM.....							1	
		(ATTACHING PARTS)								
- 13	AN960-6	.WASHER,FLAT.....							4	
	MS24665-132	.PIN,COTTER.....							4	
- 14	MS20220-2	.PULLEY.....							2	
		(ATTACHING PARTS)								
- 15	7C10117-11	.GUARD,CABLE.....							2	
- 16	AN5-30A	.BOLT,MACHINE,AIRCRAFT.....							2	
	AN960-516	.WASHER,FLAT (UNDER NUT).....							2	
	MS20364-524C	.NUT.....							2	
- 17	7C10150-4	.CABLE ASSEMBLY,AILERON,FUSELAGE.....							2	
		(ATTACHING PARTS)								
- 18	AN23-11	.BOLT,CLEVIS.....							2	
	AN960-10	.WASHER,FLAT.....							2	
	AN320-3	.NUT.....							2	
	MS24665-132	.PIN,COTTER.....							2	
- 19	MS20220-2	.PULLEY (FUSELAGE STATION 64.00).....							2	
		(ATTACHING PARTS)								
- 20	7C10117-11	.GUARD,CABLE.....							2	
- 21	AN5-11A	.BOLT,MACHINE,AIRCRAFT.....							2	
	AN960-516	.WASHER,FLAT.....							2	
	MS20364-524C	.NUT.....							2	
- 22	MS20220-2	.PULLEY (AILERON CABLE RH WING,FUSELAGE.....							2	
		STATION 88.00)								
		(ATTACHING PARTS)								
- 23	AN5-67A	.BOLT,MACHINE.....							1	
	AN960-516	.WASHER.....							AR	
	AN960-516L	.WASHER.....							AR	
	MS20364-524C	.NUT.....							1	

GRUMMAN AMERICAN AVIATION
GA-7/COUGAR
ILLUSTRATED PARTS CATALOG

Figure & Index No.	Part Number	Nomenclature	Units	Usable On Code
			Per Assy	
		1 2 3 4 5 6 7		
27- 2 - 24	MS20220-2	.PULLEY (FUSELAGE STATION 127.37)..... (ATTACHING PARTS)	2	
- 25	7C10117-1 AN5-11A	.GUARD, CABLE..... .BOLT, MACHINE, AIRCRAFT (ON TOP OF THE BRACKET)	2 2	
	AN960-516 MS20364-524C	.WASHER, FLAT..... .NUT.....	2 2	
- 26	7C10150-6	.CABLE ASSEMBLY, AILERON WING (RH)	1	
- 27	MS21251B55	.TURNBUCKLE BODY.....	3	
- 28	MS21256-1	.CLIP, TURNBUCKLE, LOCKING.....	3	
- 29	7C10150-7	.CABLE ASSEMBLY, AILERON WING (LH) (FUSELAGE..... STATION 129.32)	1	
- 30	7C10150-5	.CABLE ASSEMBLY, AILERON WING (FUSELAGE..... STATION 128)	1	
- 31	MS24665-291	.PIN, COTTER.....	2	
- 32	MS20220-2	.PULLEY (WING LOCATION 29-367 AND ON BUTT..... LINE 19.375) (ATTACHING PARTS)	2	
- 33	AN5-16A AN960-516 MS20364-524C	.BOLT, MACHINE, AIRCRAFT..... .WASHER, FLAT..... .NUT.....	2 2 2	
- 34	7C10201-1 7C10201-2	.SECTOR ASSEMBLY, AILERON CONTROL LH (WING..... STATION 161.00 REF) .SECTOR ASSEMBLY, AILERON CONTROL RH (WING..... STATION 161.00 REF) (ATTACHING PARTS)	1 1	
- 35	AN4-31 AN960-416 AN320-4 MS24665-285	.BOLT, MACHINE, AIRCRAFT..... .WASHER, FLAT (UNDER BOLT HEAD AND NUT)..... .NUT, SELF-LOCKING, CASTELLATED..... .PIN, COTTER.....	1 2 1 1	
- 36	7C10201-3 7C10201-4	.WELDMENT ASSEMBLY..... .WELDMENT ASSEMBLY..... (ATTACHING PARTS)	1 1	
- 37	NAS221-17 AN960-10L MS20364-1032C	.SCREW..... .WASHER, FLAT (UNDER NUT)..... .NUT.....	1 2 1	
- 38	7C10211-11	.SHAFT.....	1	
- 39	R-610	.BEARING.....	2	
- 40	MS24665-285	.PIN, COTTER.....	1	
- 41	MS20220-2	.PULLEY (WING STATION 166.75 REF)..... (ATTACHING PARTS)	1	
- 42	AN5-11 AN960-416 AN310-5 MS24665-285	.BOLT, MACHINE, AIRCRAFT..... .WASHER, FLAT (UNDER NUT)..... .NUT, SELF-LOCKING, CASTELLATED..... .PIN, COTTER.....	1 1 1 1	
- 43	MS24665-285	.PIN, COTTER.....	2	
- 44	7C10402-1	.ROD ASSEMBLY, PUSH..... (ATTACHING PARTS)	1	
- 45	AN4-16 AN960-416 AN320-4 MS24665-132	.BOLT, MACHINE, AIRCRAFT..... .WASHER, FLAT..... .NUT, SELF-LOCKING, CASTELLATED..... .PIN, COTTER.....	1 1 1 1	
- 46	7CS10800-1 7CS10800-2	.AILERON INSTALLATION, LH (SEE FIGURE 27-01..... FOR DETAIL BREAKDOWN) .AILERON INSTALLATION, RH (SEE FIGURE 27-01..... FOR DETAIL BREAKDOWN)	RF RF	

GRUMMAN AMERICAN AVIATION
GA-7/COUGAR
ILLUSTRATED PARTS CATALOG



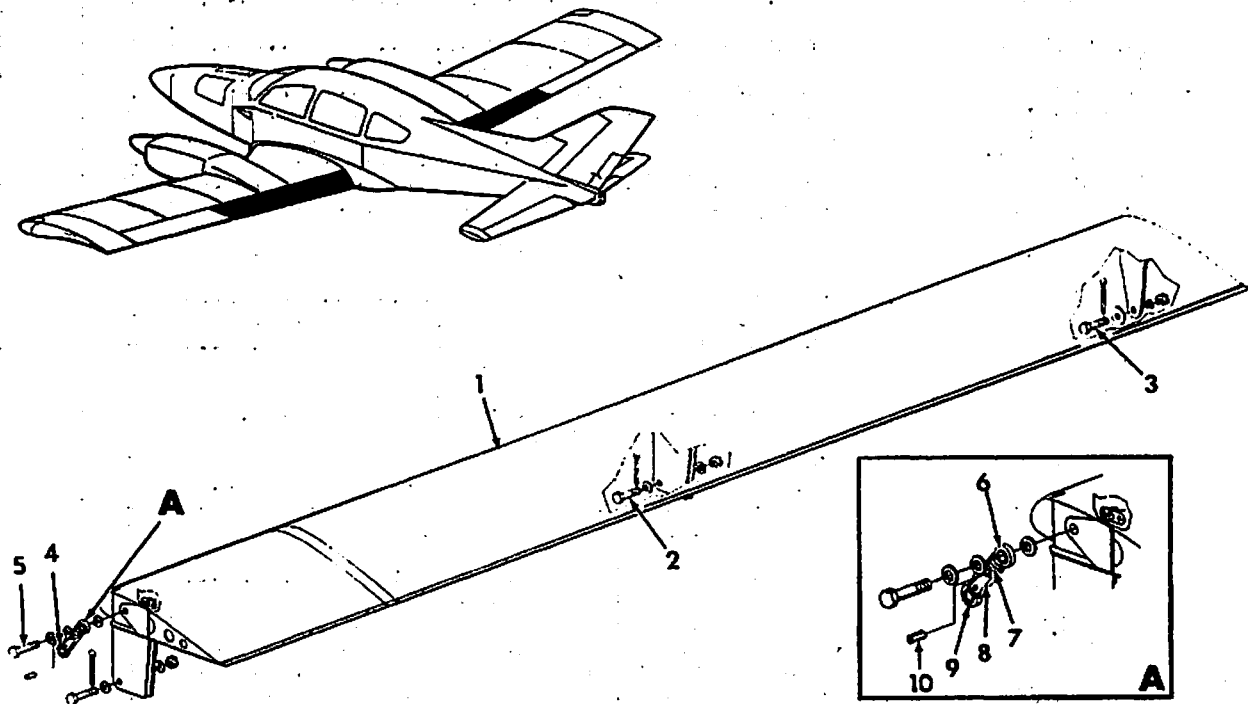
Flap Drive System Installation
 Figure 27-3

27G74-03-1

GRUMMAN AMERICAN AVIATION
GA-7/COUGAR
ILLUSTRATED PARTS CATALOG

Figure & Index No.	Part Number	Nomenclature							Units Per Assy	Usable On Code	
		1	2	3	4	5	6	7			
27- 3 -	7C10500	FLAP DRIVE SYSTEM INSTALLATION.....							RF		
	7C10500-1	ACTUATOR INSTALLATION, FLAP.....							RF		
	- 1	7C10501-1	.ACTUATOR ASSEMBLY, FLAP.....							1	
			(ATTACHING PARTS)								
	- 2	AN4-16A	.BOLT, MACHINE, AIRCRAFT.....							1	
		AA304-11	.BUSHING.....							1	
		AN960-416	.WASHER, FLAT.....							1	
		MS20364-428	.NUT.....							1	
	- 3	AN4-15A	.BOLT, MACHINE, AIRCRAFT.....							1	
		AA304-33	.BUSHING.....							1	
		AN960-416	.WASHER, FLAT.....							1	
		MS20364-428	.NUT.....							1	
	- 4	7C10502-1	.ACTUATOR ASSEMBLY.....							1	
	- 5	7C10501-11	.TUBE, EXTENSION.....							1	
			(ATTACHING PARTS)								
	- 6	MS470AD5-4	.RIVET.....							1	
		AN960-8	.WASHER, FLAT.....							1	
	QS100-M12S	.CLAMP.....							1		
- 7	7C10511-11	.BRACKET, ACTUATOR ASSEMBLY.....							1		
		(ATTACHING PARTS)									
- 8	AN3-4A	.BOLT, MACHINE, AIRCRAFT.....							2		
	AN960-10	.WASHER, FLAT.....							2		
	NAS680A3	.NUTPLATE.....							2		
- 9	MS20364-1032	.NUT.....							2		
	AN960-10	.WASHER, FLAT.....							2		
	AN960-10L	.WASHER, FLAT.....							1		
- 10	7CM10510-1	.BEARING ASSEMBLY, FLAP TORQUE TUBE.....							2		
		(ATTACHING PARTS)									
- 11	GB510B-4-11	.BOLT, SHEAR HEAD.....							4		
	AN970-4	.WASHER, FLAT.....							4		
	GN512J4	.NUT, COLLAR.....							4		
- 12	A3-911	.SPACER.....							2		
- 13	7C10504-1	.BELLCRANK ASSEMBLY, FLAP ACTUATOR.....							2		
		(ATTACHING PARTS)									
- 14	AN6-14A	.BOLT, MACHINE, AIRCRAFT.....							2		
	7C10500-11	.WASHER, FLAT.....							4		
	AN960-616	.WASHER, FLAT.....							4		
	MS21042-6	.NUT.....							2		
- 15	7C10503-3	.TUBE ASSEMBLY, TORQUE, FLAP ACTUATOR.....							1		
		(ATTACHING PARTS)									
- 16	AN4-21A	.BOLT, MACHINE, AIRCRAFT.....							4		
	7F10915-21	.CAM.....							1		
	3502-14-47	.WASHER, STAKEPROOF.....							1		
	AN960-416	.WASHER, FLAT.....							7		
	MS20364-428	.NUT.....							4		
- 17	V3L-3-D9	.SWITCH, LIMIT (FLAP POSITION STALL WARNING.....							2		
		AND FLAP WARNING. SEE FIGURE 27-15 FOR									
		DETAIL BREAKDOWN) (91929)									

GRUMMAN AMERICAN AVIATION
GA-7/COUGAR
ILLUSTRATED PARTS CATALOG



Flap Installation
Figure 27-4

27G7404-1

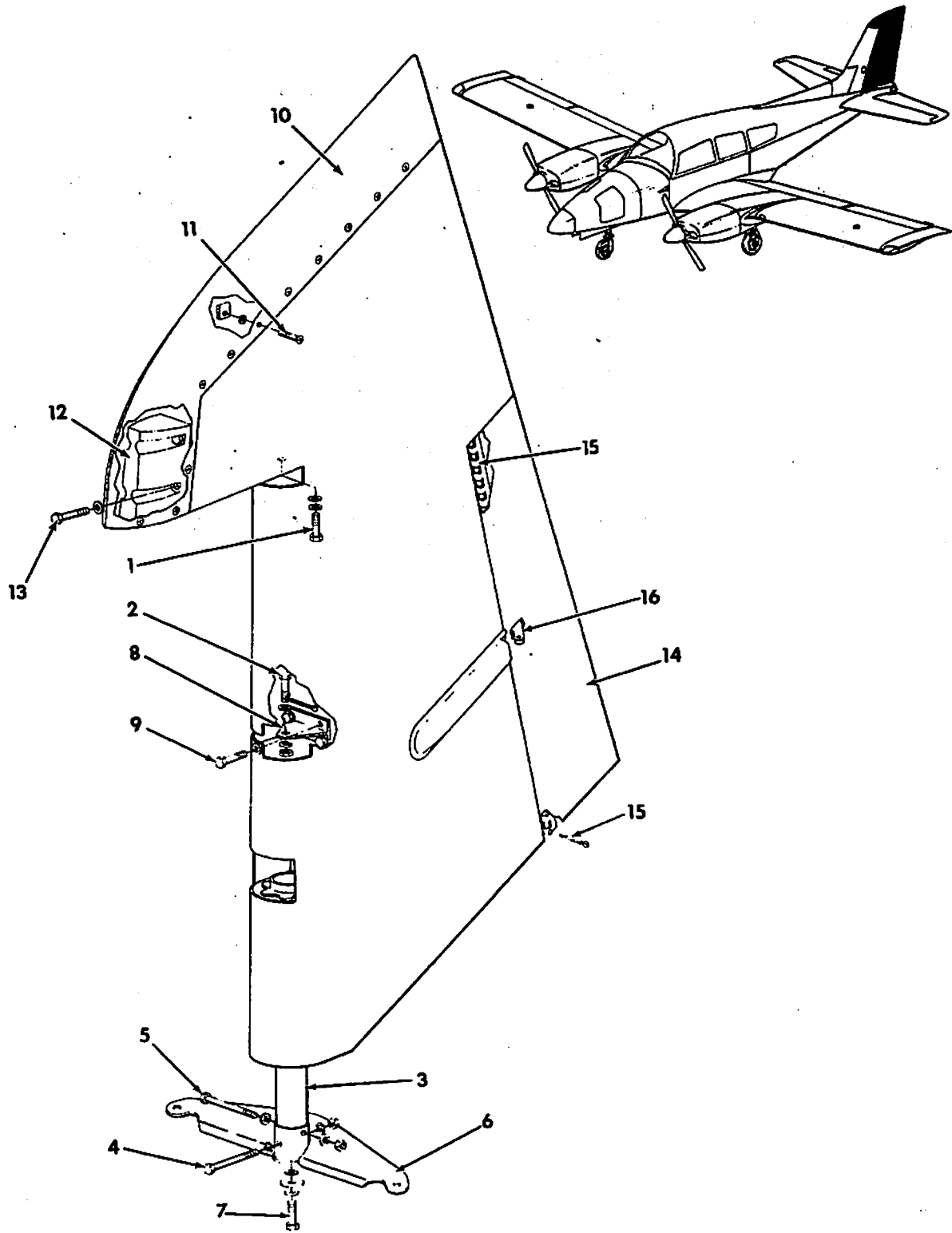
GRUMMAN AMERICAN AVIATION

GA-7/COUGAR

ILLUSTRATED PARTS CATALOG

Figure & Index No.	Part Number	Nomenclature 1 2 3 4 5 6 7	Units Per Assy	Usable On Code
27- 4 -	7CS10900-1	FLAP INSTALLATION,WING,LH (SEE FIGURE 57-1..... FOR NHA)	RF	
	7CS10900-2	FLAP INSTALLATION,WING,RH (SEE FIGURE 57-1..... FOR NHA)	RF	
- 1	7CS10901-1	.FLAP ASSEMBLY,WING,LH.....	1	
	7CS10901-2	.FLAP ASSEMBLY,WING,RH..... (ATTACHING PARTS)	1	
- 2	MS24665-132	.PIN,COTTER.....	2	
	AN24-13	.BOLT,CLEVIS.....	2	
- 3	AN960-416	.WASHER,FLAT.....	4	
	AN320-4	.NUT,SELF-LOCKING,CASTELLATED.....	2	
	MS24665-132	.PIN,COTTER.....	1	
	AN24-13	.BOLT,CLEVIS.....	1	
	AN970-4	.WASHER,FLAT.....	1	
- 4	AN960-416	.WASHER,FLAT.....	1	
	AN320-4	.NUT,SELF-LOCKING,CASTELLATED.....	1	
	7C10505-1	.ROD ASSEMBLY,PUSH FLAP..... (ATTACHING PARTS)	1	
- 5	AN6H14A	.BOLT,MACHINE.....	1	
	AN960-616L	.WASHER,FLAT (UNDER BOLT).....	2	
	NAS686-46	.NUT,PLATE.....	1	
- 6	HM6GM	.ROD ENC (73134).....	2	
	AN316-6R	.NUT,JAM.....	2	
- 8	7C10505-11	.SPACER.....	1	
- 9	7C10505-13	.ROD ENC.....	1	
- 10	MS16562-120	.PIN,SPRING.....	1	

GRUMMAN AMERICAN AVIATION
GA-7/COUGAR
ILLUSTRATED PARTS CATALOG



Rudder Installation
Figure 27-5

27G74-05-1

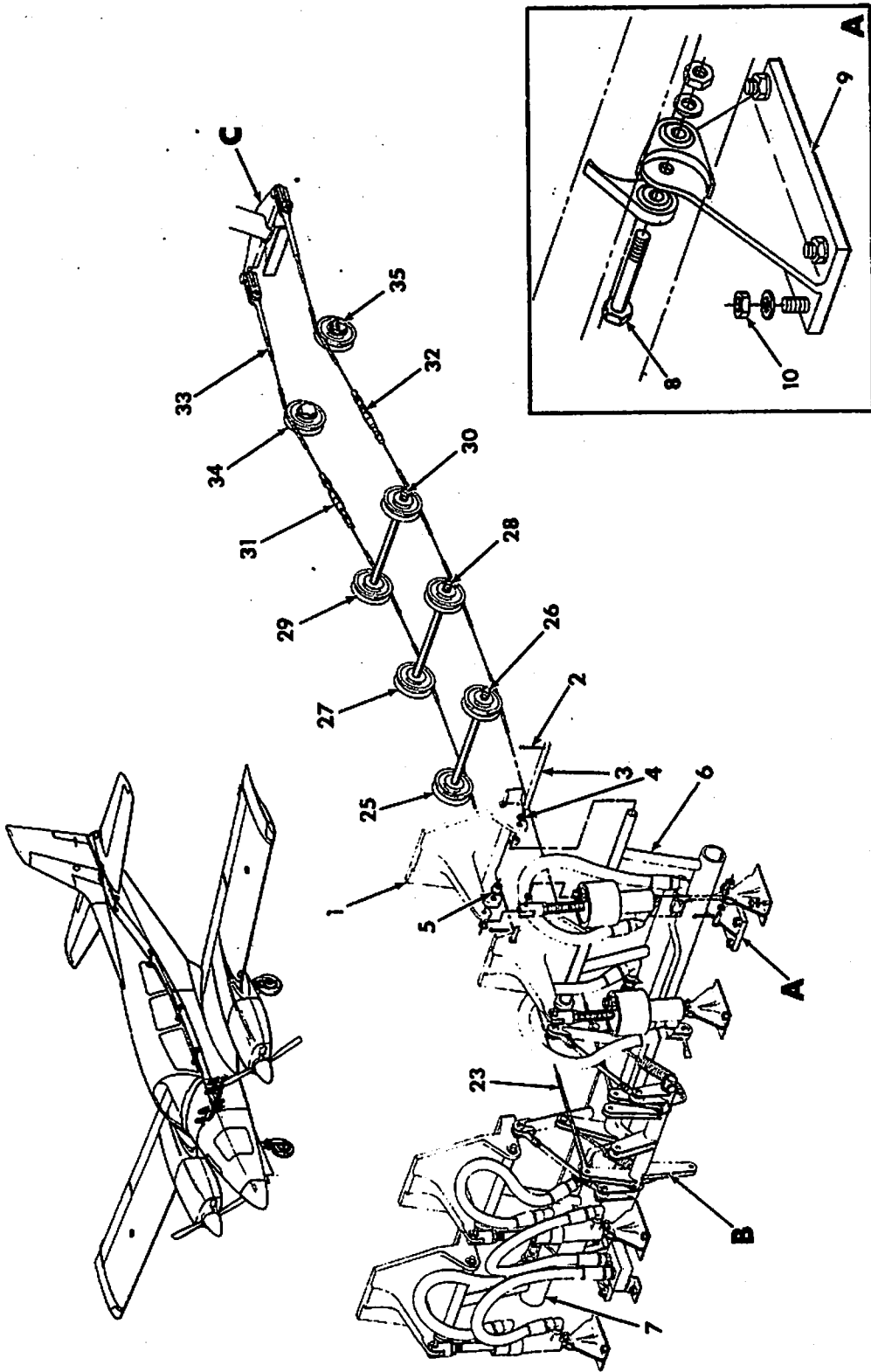
GRUMMAN AMERICAN AVIATION

GA-7/COUGAR

ILLUSTRATED PARTS CATALOG

Figure & Index No.	Part Number	Nomenclature	Units Per Assy	Usable On Code
27- 5 -	7CS10500-1	RUDDER ASSEMBLY (SEE CHAPTER 55 FOR NHA)..... (ATTACHING PARTS)	RF	
- 1	AN4H7A	.BOLT, MACHINE, AIRCRAFT.....	1	
	AN960-416L	.WASHER, FLAT.....	1	
	AN960-416	.WASHER, FLAT.....	1	
- 2	AN4-11	.BOLT, MACHINE, AIRCRAFT.....	1	
	AN960-416	.WASHER, FLAT.....	2	
	AN310-4	.NUT, PLAIN, CASTELLATED.....	1	
	MS24665-132	.PIN, COTTER.....	1	
- 3	7CS10500-11	.TUBE, TORQUE..... (ATTACHING PARTS)	1	
- 4	AN4-24A	.BOLT, MACHINE, AIRCRAFT.....	1	
	AN960-416	.WASHER, FLAT.....	2	
	MS20364-428	.NUT.....	1	
- 5	AN6-25A	.BOLT, MACHINE, AIRCRAFT.....	1	
	AN960-616L	.WASHER, FLAT.....	1	
	AN960-616	.WASHER, FLAT.....	1	
	MS20364-624	.NUT.....	1	
- 6	7CS10534-901	.BELL CRANK ASSEMBLY..... (ATTACHING PARTS)	1	
- 7	AN4H10A	.BOLT, MACHINE, AIRCRAFT.....	1	
	AN960-416	.WASHER, FLAT.....	AR	
	AN97J-4	.WASHER, FLAT.....	1	
	AN960-416L	.WASHER, FLAT.....	AR	
- 8	7CS10425-17	.BRACKET ASSEMBLY..... (ATTACHING PARTS)	1	
- 9	AN4-5A	.BOLT, MACHINE, AIRCRAFT.....	4	
	AN960-416L	.WASHER, FLAT.....	4	
- 10	7CS10540-1	.TIP CAP INSTALLATION, RUDDER..... (ATTACHING PARTS)	1	
- 11	GAES102226-07	.SCREW.....	22	
	A3135-017-24A	.WASHER, FLAT.....	22	
	A1784-6Z-1	.NUT.....	22	
- 12	7CS10231-13	.WEIGHT, BALANCE, RUDDER..... (ATTACHING PARTS)	1	
- 13	AN4-7A	.BOLT, MACHINE, AIRCRAFT.....	4	
	AN960-416L	.WASHER, FLAT.....	4	
- 14	7CS10503-1	.TRIM TAB ASSEMBLY, RUDDER (ATTACHING PARTS)	1	
- 15	7CS10533-13	.HINGE HALF.....	1	
	MS20253P2-3056	.PIN, HINGE.....	1	
	MS24665-69	.PIN, COTTER.....	1	
- 16	7CS10220-13	.HORN.....	2	

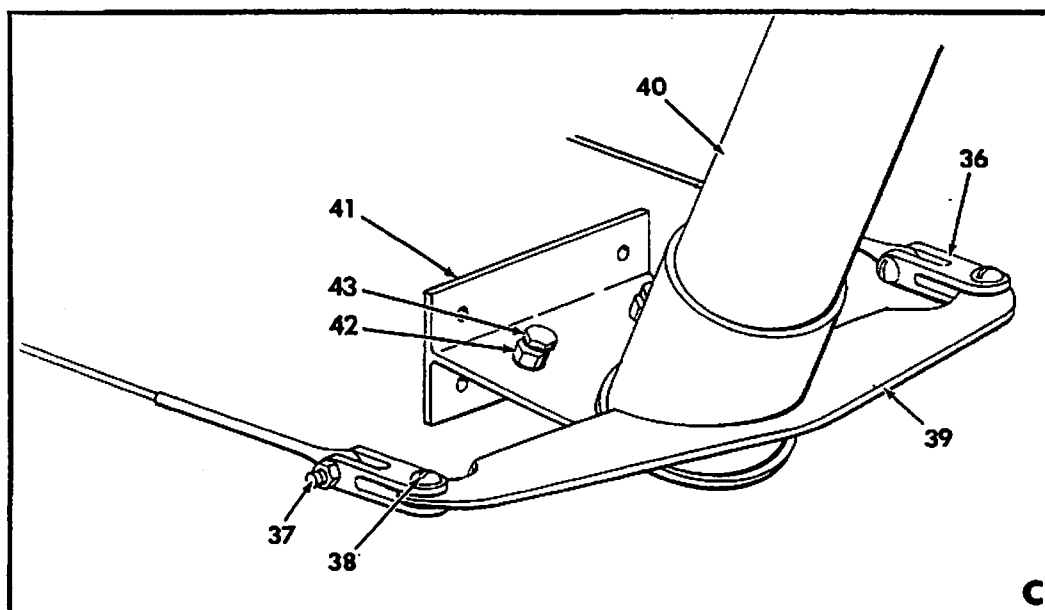
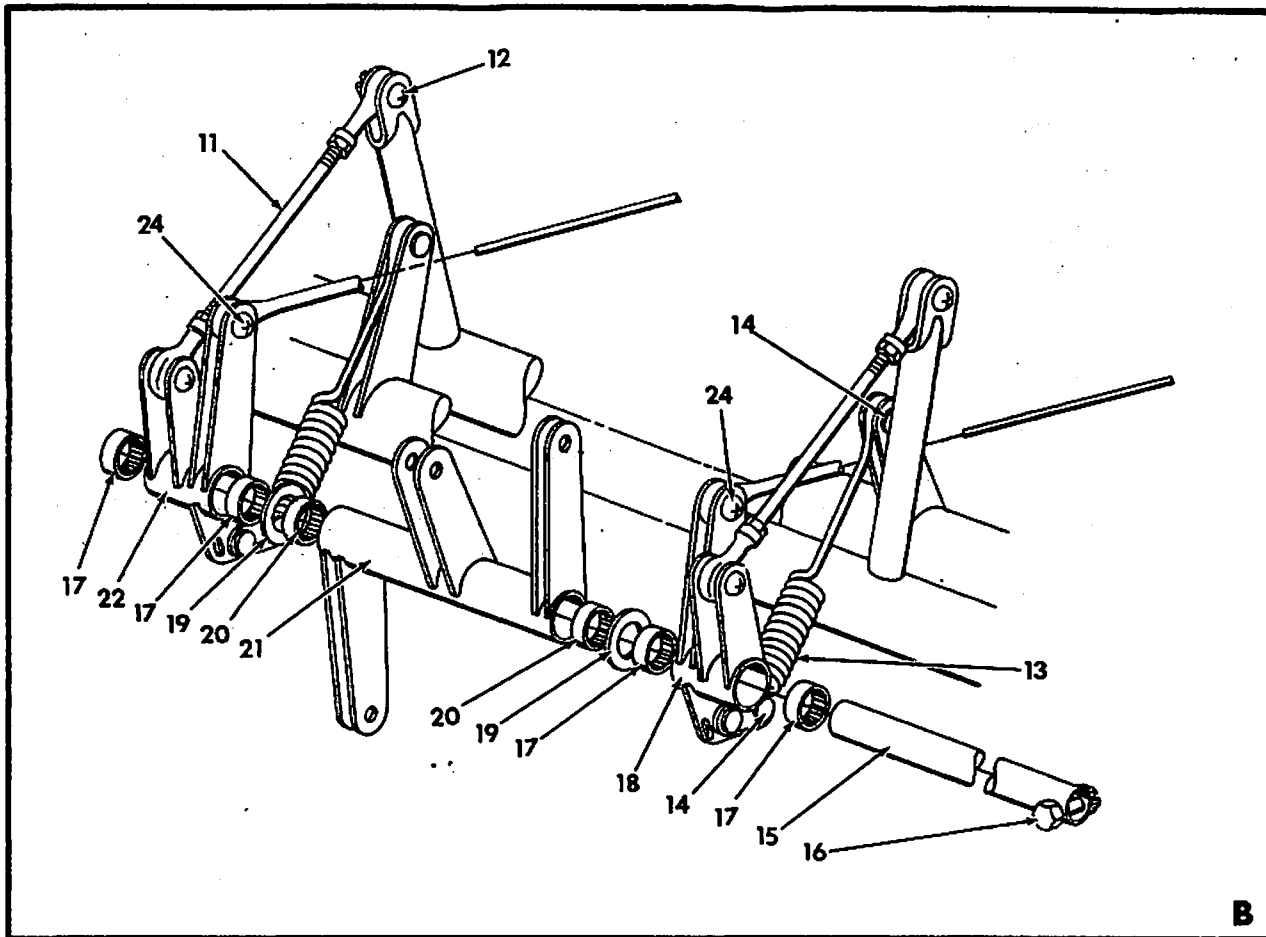
GRUMMAN AMERICAN AVIATION
GA-7/COUGAR
ILLUSTRATED PARTS CATALOG



Rudder Control Installation
Figure 27-6 (Sheet 1 of 2)

27G74-06-1

GRUMMAN AMERICAN AVIATION
GA-7/COUGAR
ILLUSTRATED PARTS CATALOG



Rudder Control Installation
 Figure 27-6 (Sheet 2 of 2)

27G74-08-2

GRUMMAN AMERICAN AVIATION
GA-7/COUGAR
ILLUSTRATED PARTS CATALOG

Figure & Index No.	Part Number	Nomenclature	Units Per Assy	Usable On Code
27- 6 -	7C10400-1	RUDDER CONTROL INSTALLATION, SINGLE (STANDARD)	RF	
	7C10400-3	RUDDER CONTROL INSTALLATION, DUAL (OPTIONAL)	RF	
- 1	606001-1	.PEDAL, BRAKE/RUDDER (STANDARD)	2	
	606001-1	.PEDAL, BRAKE/RUDDER (OPTIONAL)	4	
		(ATTACHING PARTS)		
- 2	MS24665-132	.PIN, COTTER (STANDARD)	4	
	MS24665-132	.PIN, COTTER (OPTIONAL)	8	
- 3	601021-1	.TUBE (STANDARD)	2	
	601021-1	.TUBE (OPTIONAL)	4	
- 4	AN960-416	.WASHER, FLAT (STANDARD)	4	
	AN960-416	.WASHER, FLAT (OPTIONAL)	8	
- 5	601051-1	.PLUG, RUDDER PEDAL CROSSBAR (STANDARD)	4	
	601051-1	.PLUG, RUDDER PEDAL CROSSBAR (OPTIONAL)	8	
		(ATTACHING PARTS)		
- 6	7C10401-1	.BAR ASSEMBLY, RUDDER CONTROL	1	
- 7	7C10401-2	.BAR ASSEMBLY, RUDDER CONTROL	1	
		(ATTACHING PARTS FOR INDEXES 6 AND 7)		
- 8	AN4-11	.BOLT, MACHINE, AIRCRAFT	2	
	AN960-416	.WASHER, FLAT	2	
	MS20364-428	.NUT	2	
		(ATTACHING PARTS)		
- 9	7CM10450-11	.SUPPORT, RUDDER BAR	2	
		(ATTACHING PARTS)		
- 10	MS20364-1032	.NUT	4	
	AN960-10	.WASHER, FLAT	4	
		(ATTACHING PARTS)		
- 11	7C10402-1	.ROD ASSEMBLY	2	
		(ATTACHING PARTS)		
- 12	AN320-4	.NUT	4	
	AN960-416	.WASHER, FLAT	4	
	AN24-13	.BOLT, CLEVIS	4	
	MS24665-132	.PIN, COTTER	4	
		(ATTACHING PARTS)		
- 13	7C10412-11	.SPRING	1	
		(ATTACHING PARTS)		
- 14	AN960-10L	.WASHER, FLAT	4	
	7C10412-13	.SPACFR	4	
	MS24665-132	.PIN, COTTER	4	
	MS20392-2C9	.PIN	4	
	7C10415-5	.LINK ASSEMBLY	1	
	7C10415-1	.LINKAGE ASSEMBLY	1	
		(ATTACHING PARTS)		
- 15	7CM10312-11	.SHAFT, RUDDER BELLCRANK ASSEMBLY	1	
		(ATTACHING PARTS)		
- 16	AN320-3	.NUT	1	
	AN960-10	.WASHER, FLAT	1	
	MS24665-132	.PIN, COTTER	1	
	AN3-11	.BOLT	1	
		(ATTACHING PARTS)		
- 17	B116	.BEARING, NEEDLE (80657)	4	
- 18	7C10302-1	.BELLCRANK ASSEMBLY, FRONT, RUDDER	1	
- 19	TT-1205	.BEARING (80657)	4	
- 20	B118	.BEARING (80657)	2	
- 21	7C10302-3	.BELLCRANK ASSEMBLY, FRONT RUDDER	1	
- 22	7C10302-2	.BELLCRANK ASSEMBLY, FRONT RUDDER	1	
- 23	7C10150-15	.CABLE ASSEMBLY, RUDDER FRONT RH AND LH	2	
		(ATTACHING PARTS)		
- 24	AN23-10	.BOLT, CLEVIS	4	
	AN960-10	.WASHER, FLAT	4	

GRUMMAN AMERICAN AVIATION

GA-7/COUGAR

ILLUSTRATED PARTS CATALOG

Figure & Index No.	Part Number	Nomenclature							Units Per Assy	Usable On Code
		1	2	3	4	5	6	7		
27- 6 - 24	AN960-10L	.WASHER, FLAT.....							AR	
	AN320-3	.NUT.....							4	
	MS24665-132	.PIN, COTTER.....							4	
- 25	MS20220-2	.PULLEY (FUSELAGE STATION 88.00 RUDDER RH/LH) (ATTACHING PARTS)							2	
- 26	AN5-67A	.BOLT, MACHINE, AIRCRAFT.....							1	
	AN960-516	.WASHER, FLAT.....							1	
	MS20364-524C	.NUT.....							1	
	AN960-516	.WASHER, FLAT (EQUAL QUANTITY BOTH SIDES).....							AR	
	AN960-516L	.WASHER, FLAT (EQUAL QUANTITY BOTH SIDES).....							AR	
	NAS43005-30	.SPACER.....							2	
	NAS43005-80	.SPACER.....							1	
	NAS43005-44	.SPACER.....							1	
	7CM10151-15	.ROD, CABLE GUARD.....							3	
	AN960-10	.WASHER, FLAT.....							6	
	MS24665-132	.PIN, COTTER.....							6	
- 27	MS20220-2	.PULLEY (FUSELAGE STATION 143.25 RUDDER..... RH AND LH) (ATTACHING PARTS)							2	
- 28	AN5-64A	.BOLT, MACHINE, AIRCRAFT.....							2	
	NAS43005-40	.SPACER.....							2	
	NAS43005-144	.SPACER.....							1	
	AN960-516	.WASHER, FLAT.....							1	
	MS20364-524C	.NUT.....							1	
	7C10117-15	.GUARD.....							2	
	7CM10151-11	.ROD.....							2	
	MS24665-132	.PIN, COTTER.....							2	
- 29	MS20220-2	.PULLEY (FUSELAGE STATION 181.632 RUDDER..... RH AND LH) (ATTACHING PARTS)							2	
- 30	AN4-65A	.BOLT, MACHINE, AIRCRAFT.....							1	
	7CM10254-13	.SPACER.....							2	
	NAS43004-58	.SPACER.....							2	
	AN960-416	.WASHER, FLAT.....							1	
	MS20364-428C	.NUT.....							1	
	7CM10151-11	.ROD.....							1	
	MS24665-132	.PIN, COTTER.....							2	
- 31	MS2125185S	.TURNBUCKLE BCDY (FOR RUDDER CABLE ASSEMBLIES 7C10150-15 AND 7C10150-17)							2	
- 32	MS21256-1	.CLIP, TURNBUCKLE LOCKING.....							4	
- 33	7C10150-17	.CABLE ASSEMBLY, RUDDER AFT.....							2	
- 34	MS20220-2	.PULLEY (FUSELAGE STATION 268.48 RUDDER AFT)..... (ATTACHING PARTS)							2	
- 35	AN5-11A	.BOLT, MACHINE, AIRCRAFT.....							2	
	AN960-516	.WASHER, FLAT.....							2	
	MS20364-524C	.NUT.....							2	
	7C10403-13	.GUARD (NOT SHOWN, SEE CHAPTER 53 FOR DETAIL)							2	
	MS24665-285	.PIN, COTTER.....							2	
- 36	7CM10413-11	.LINK, AFT RUDDER CABLE ASSEMBLY..... (ATTACHING PARTS)							2	
- 37	AN23-13	.BOLT, CLEVIS.....							2	
	AN960-10	.WASHER, FLAT.....							2	
	AN320-3	.NUT.....							2	
	MS24665-132	.PIN, COTTER.....							2	

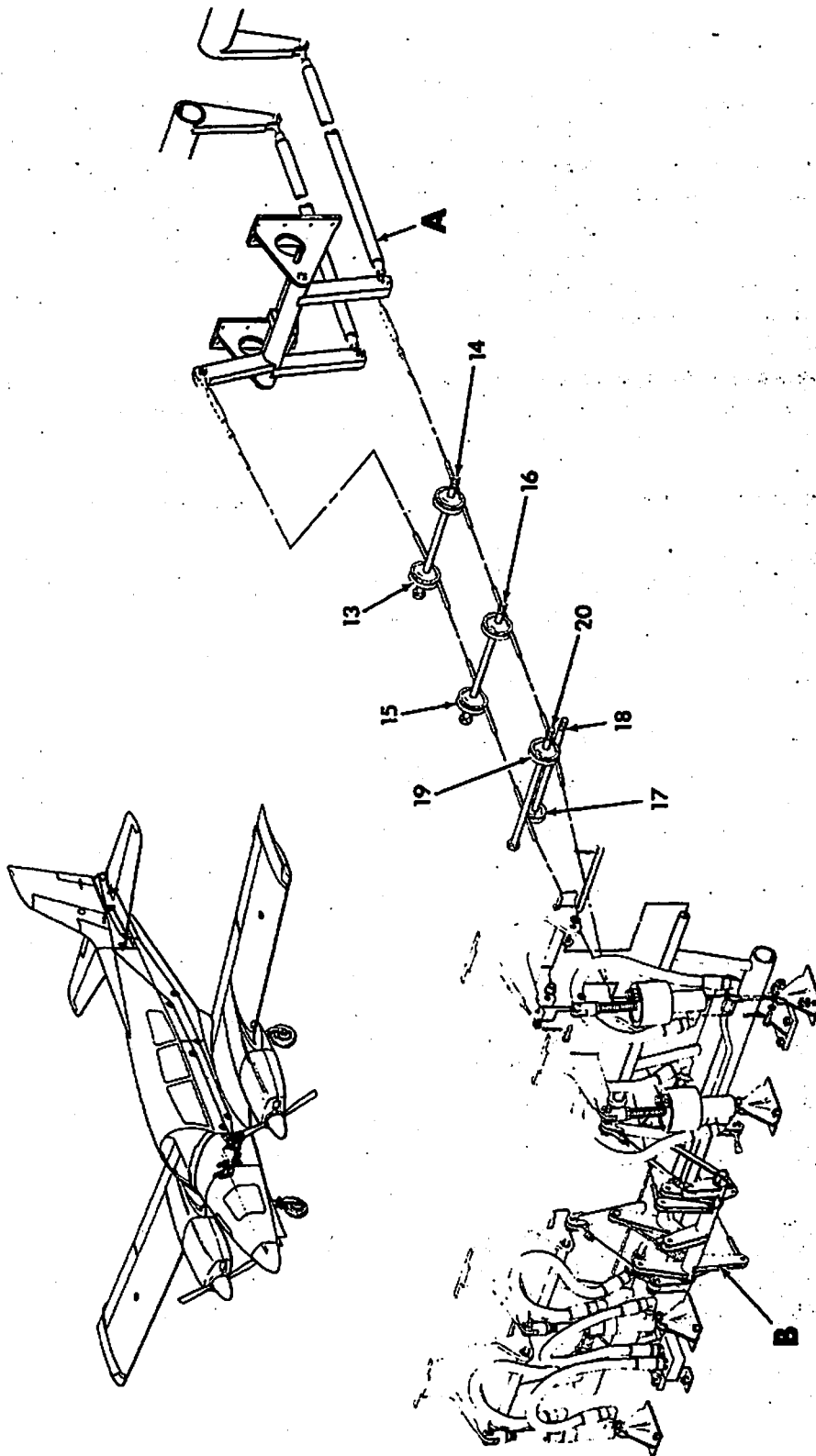
GRUMMAN AMERICAN AVIATION
GA-7/COUGAR
ILLUSTRATED PARTS CATALOG

Figure & Index No.	Part Number	Nomenclature							Units Per Assy	Usable On Code
		1	2	3	4	5	6	7		
27- 6 - 38	AN23-13	.BOLT,CLEVIS.....							2	
	AN960-10L	.WASHER, FLAT.....							2	
	AN960-10	.WASHER, FLAT.....							2	
	AN320-3	.NUT.....							2	
- 39	7CS10534-901	.BELLCRANK ASSEMBLY, RUDDER (SEE FIGURE 27-5..... FOR DETAIL BREAKDOWN)							RF	
- 40	7CS10500	.RUDDER ASSEMBLY (SEE FIGURE 27-5 FOR..... DETAIL BREAKDOWN)							RF	
	NO NUMBER	RUDDER STOP INSTALLATION (REFERENCE GAAC..... DRAWING 7C10000)							RF	
- 41	7CS10425-1	.BRACKET ASSEMBLY, RUDDER HINGE (SEE CHAPTER..... 55 FOR DETAIL BREAKDOWN)							1	
- 42	7CM10414-13	.ECCENTRIC, RUDDER STOP..... (ATTACHING PARTS)							2	
- 43	AN4-11A	.BOLT, MACHINE, AIRCRAFT.....							2	
	AN960-416	.WASHER, FLAT.....							2	
	MS20364-428C	.NUT, SELF-LOCKING.....							2	

GRUMMAN AMERICAN AVIATION
GA-7/COUGAR
ILLUSTRATED PARTS CATALOG

Figure & Index No.	Part Number	Nomenclature	Units Per Assy	Usable On Code
27- 7 -	NO NUMBER	ELEVATOR INSTALLATION (REFERENCE GAAC.....	RF	
- 1	7CS10200-21	DRAWING 7CS10200) (SEE CHAPTER 55 FOR NHA) ELEVATOR ASSEMBLY, LH SIDE (REPLACEMENT FOR.....	1	
- 2	7CS10200-2	GAAC PART NUMBER 7CS10200-1) ELEVATOR ASSEMBLY, RH SIDE.....	1	
- 3	NAS464P4A26 AN960-416 MS20364-428C	(ATTACHING PARTS FOR EACH OF INDEX 1 AND 2) BOLT, MACHINE, AIRCRAFT.....	2	
- 4	AN4-10 AN960-416 AN310-4	WASHER, FLAT.....	2	
- 5	MS24665-134 AN4-11 AN960-416 AN310-4	NUT.....	1	
- 6	MS24665-134 AN4H10 AN960-416	BOLT, MACHINE, AIRCRAFT.....	1	
- 7	7C10223-11	WASHER, FLAT.....	4	
- 8	AN4-3A AN960-416	NUT, PLAIN, CASTELLATED, AIRFRAME.....	1	
- 9	7CS10230-11	PIN, COTTER.....	1	
- 10	GAES102226-06 A3135-017-24A A1784-6Z-1	BOLT, MACHINE, AIRCRAFT.....	4	
- 11	7CS10231-11	WASHER, FLAT.....	4	
- 12	7CS10202-2	CAP, ELEVATOR TIP.....	1	
- 13	7CS10202-4	(ATTACHING PARTS) SCREW.....	18	
- 14	MS20253P2-3020 MS24665-69	WASHER, FLAT.....	18	
- 15	7C10305-1 7C10305-2 7C10305-3 7C10305-4	NUT.....	18	
- 16	7C10305-7 7C10305-8	BALANCE WEIGHT, ELEVATOR.....	1	
- 17	AN6-11A AN960-D616 MS21042L6	(ATTACHING PARTS) BOLT, MACHINE, AIRCRAFT.....	3	
- 18	7C10305-19	WASHER, FLAT.....	3	
- 19	NAS428-3-5	TAB INSTALLATION, ELEVATOR, TRIM, RH SIDE ONLY.....	RF	
- 20	AN315-3R	(SEE FIGURE 27-11 FOR DETAIL BREAKDOWN) TAB ASSEMBLY, ELEVATOR, TRIM, RH SIDE.....	1	
- 21	NAS697A3	(ATTACHING PARTS) PIN, HINGE.....	1	
		PIN, COTTER.....	1	
		HORN INSTALLATION, ELEVATOR, LH SIDE.....	RF	
		HORN INSTALLATION, ELEVATOR, RH SIDE.....	RF	
		HORN ASSEMBLY, LF SIDE.....	1	
		HORN ASSEMBLY, RH SIDE.....	1	
		STOP ASSEMBLY, LF SIDE.....	1	
		STOP ASSEMBLY, RH SIDE.....	1	
		(ATTACHING PARTS) BOLT, MACHINE, AIRCRAFT.....	2	
		WASHER, FLAT.....	2	
		NUT.....	2	
		BRACKET.....	2	
		BOLT, MACHINE, ADJUSTING.....	2	
		NUT, PLAIN, AIRCRAFT.....	2	
		NUT, PLATE.....	2	

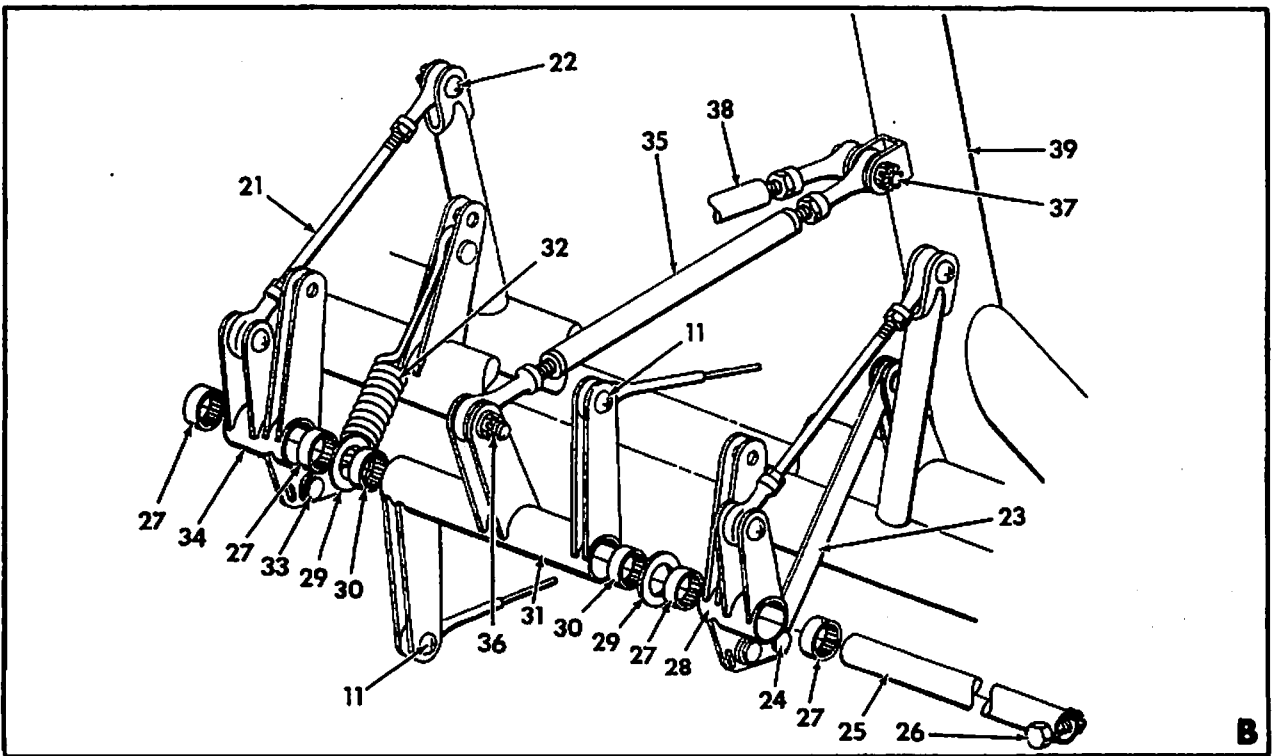
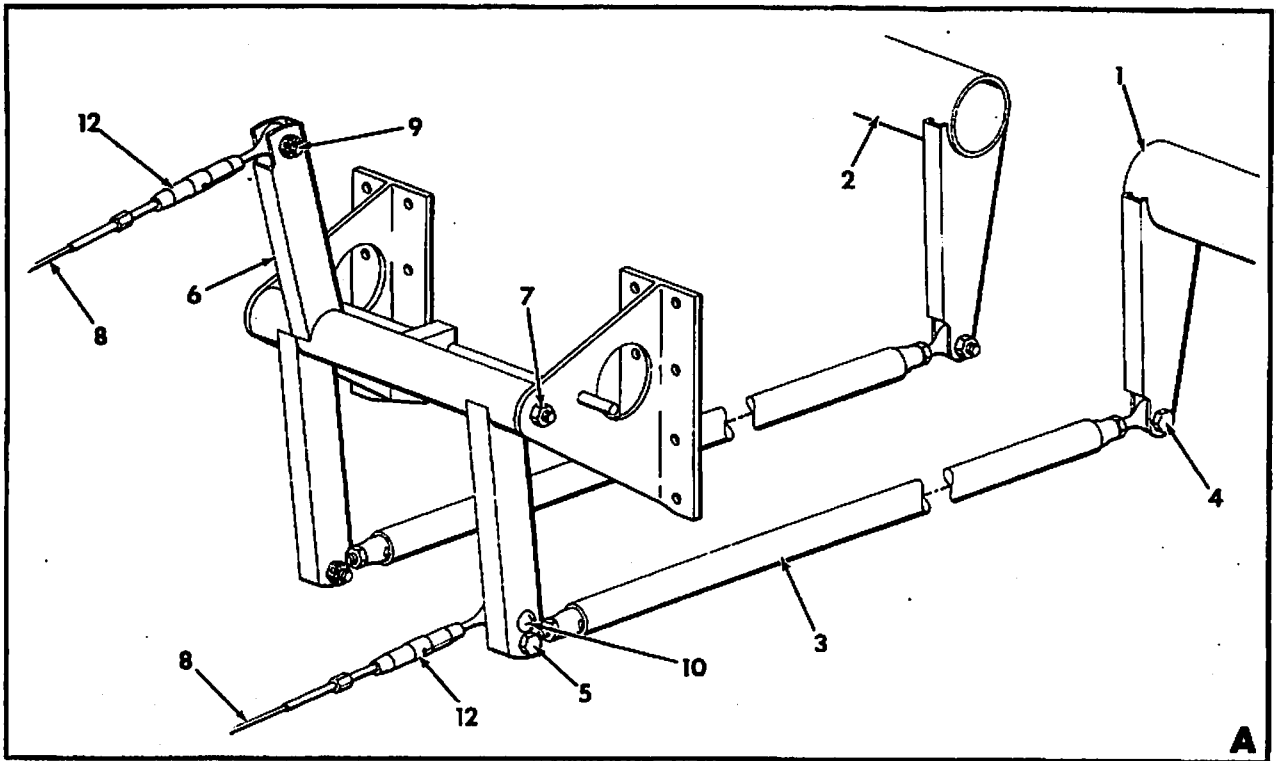
GRUMMAN AMERICAN AVIATION
GA-7/COUGAR
ILLUSTRATED PARTS CATALOG



Elevator Control Installation
Figure 27-8 (Sheet 1 of 2)

27074-08-1

GRUMMAN AMERICAN AVIATION
GA-7/COUGAR
ILLUSTRATED PARTS CATALOG



Elevator Control Installation
 Figure 27-8 (Sheet 2 of 2)

27G74-08-2

GRUMMAN AMERICAN AVIATION
GA-7/COUGAR
ILLUSTRATED PARTS CATALOG

Figure & Index No.	Part Number	Nomenclature 1 2 3 4 5 6 7	Units Per Assy	Usable On Code
27- 8 -	NO NUMBER	ELEVATOR CONTROLS INSTALLATION (SEE GAAC..... DRAWING 7C10000)	RF	
- 1	7C10305-3	.HORN ASSEMBLY (LF SIDE).....	1	
- 2	7C10305-4	.HORN ASSEMBLY (RH SIDE).....	1	
- 3	7C10304-1	.ROD ASSEMBLY, ELEVATOR CONTROL..... (ATTACHING PARTS)	2	
- 4	AN4-7 AN960-416 AN310-4 MS24665-132	.BOLT, MACHINE, AIRCRAFT..... .WASHER, FLAT..... .NUT, PLAIN, CASTELLATED, AIRFRAME..... .PIN, COTTER.....	2 2 2 2	
- 5	AN4-7 AN960-PD416L AN960-416 AN310-4 MS24665-132	.BOLT, MACHINE, AIRCRAFT..... .WASHER, FLAT..... .WASHER, FLAT..... .NUT, PLAIN, CASTELLATED, AIRFRAME..... .PIN, COTTER.....	2 2 2 2 2	
- 6	7C10303-1	.BELL CRANK ASSEMBLY, ELEVATOR, AFT..... (ATTACHING PARTS)	1	
- 7	AN4-80A AN960-416 MS20364-428C	.BOLT, MACHINE, AIRCRAFT..... .WASHER, FLAT..... .NUT.....	1 1 1	
- 8	7C10150-11	.CABLE ASSEMBLY, ELEVATOR (UP AND DOWN)..... (ATTACHING PARTS)	2	
- 9	AN24-13 AN960-416 AN320-4 MS24665-132	.BOLT, CLEVIS..... .WASHER, FLAT..... .NUT, PLAIN, CASTELLATED, SHEAR..... .PIN, COTTER.....	1 3 1 1	
- 10	AN24-18 AN960-416 AN320-4 MS24665-132	.BOLT, CLEVIS..... .WASHER, FLAT..... .NUT, PLAIN, CASTELLATED, SHEAR..... .PIN, COTTER.....	1 2 1 1	
- 11	AN23-10 AN960-10 AN960-10L AN320-3 MS24665-132	.BOLT, CLEVIS..... .WASHER, FLAT..... .WASHER, FLAT..... .NUT, PLAIN, CASTELLATED, SHEAR..... .PIN, COTTER.....	1 1 AR 1 1	
- 12	MS21254-5RL MS21251B5S MS21256-1	.TURNBUCKLE EYE..... .TURNBUCKLE BODY..... .CLIP, TURNBUCKLE LOCKING.....	1 1 2	
- 13	MS20220-2	.PULLEY (FUSELAGE STATION 181.632 ELEVATOR..... UP AND DOWN) (ATTACHING PARTS)	2	
- 14	AN4-65A 7CM10254-13 NAS43DD4-58 AN960-416 MS20364-428C 7CM10151-11 MS24665-132	.BOLT, MACHINE, AIRCRAFT..... .SPACER..... .SPACER..... .WASHER, FLAT..... .NUT..... .ROD, CABLE GUARD..... .PIN, COTTER.....	1 2 2 1 1 1 2	
- 15	MS20220-2	.PULLEY (FUSELAGE STATION 143.25 ELEVATOR..... UP AND DOWN) (ATTACHING PARTS)	2	
- 16	AN5-64A NAS43DD5-40 NAS43DD5-144 AN960-516	.BOLT, MACHINE, AIRCRAFT..... .SPACER..... .SPACER..... .WASHER, FLAT.....	1 2 1 1	

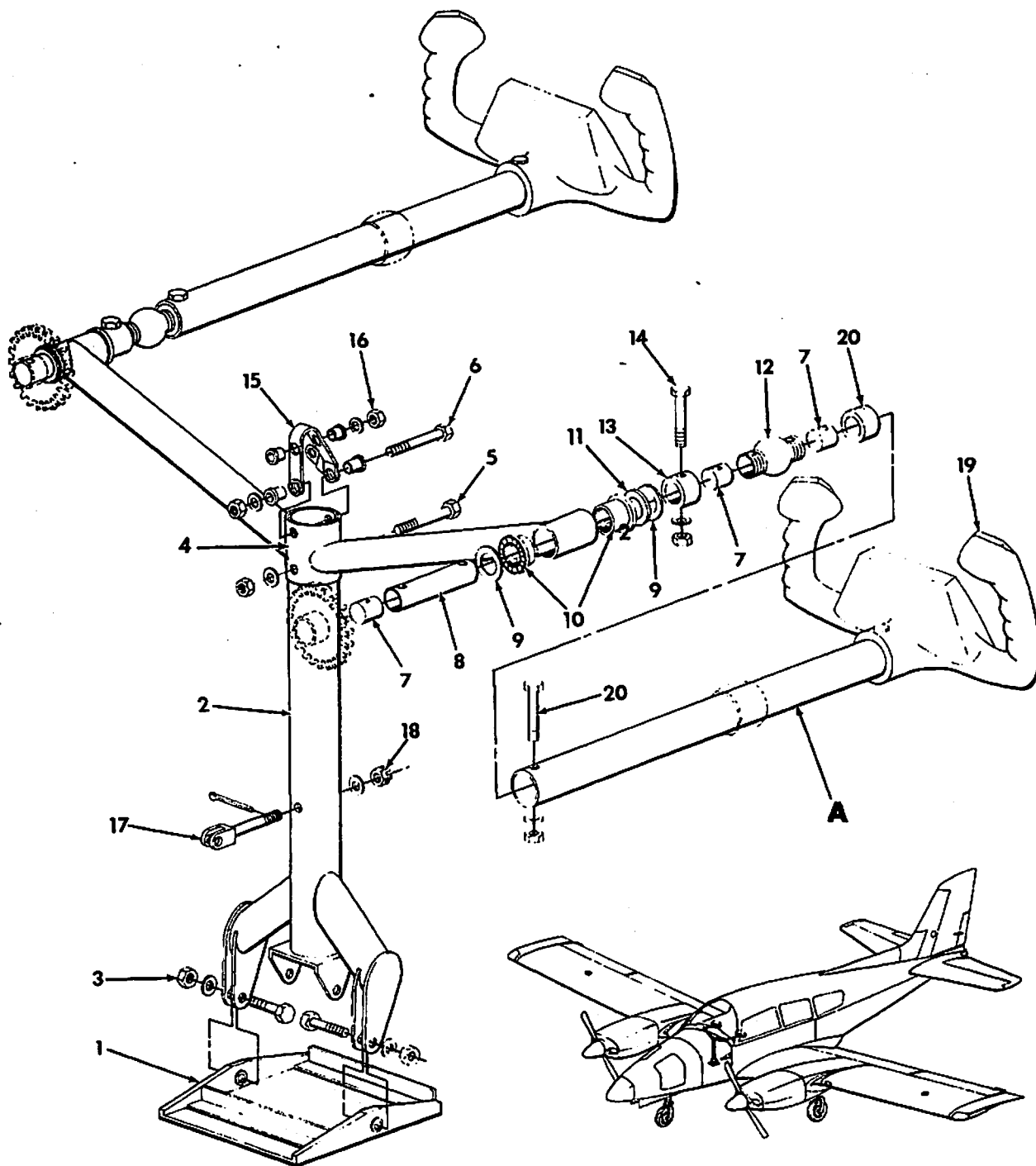
GRUMMAN AMERICAN AVIATION
GA-7/COUGAR
ILLUSTRATED PARTS CATALOG

Figure & Index No.	Part Number	Nomenclature 1 2 3 4 5 6 7	Units Per Assy	Usable On Code
27- 8 - 16	MS20364-524C	.NUT.....	1	
	7C10117-15	.GUARD.....	2	
	7CM10151-11	.ROD, CABLE GUARD.....	2	
	MS24665-132	.PIN, COTTER.....	2	
- 17	MS20220-2	.PULLEY (FUSELAGE STATION 88.00 ELEVATOR DOWN) (ATTACHING PARTS)	1	
- 18	AN960-516	.BOLT, MACHINE, AIRCRAFT.....	1	
	MS20364-524C	.WASHER, FLAT.....	1	
	AN960-516	.NUT.....	1	
	AN960-516L	.WASHER, FLAT (EQUAL QUANTITY BOTH SIDES).....	AR	
	NAS430D5-39	.WASHER, FLAT (EQUAL QUANTITY BOTH SIDES).....	AR	
	NAS430D5-80	.SPACER.....	2	
	NAS430D5-44	.SPACER.....	1	
	7CM10151-15	.SPACER.....	1	
	AN960-10	.ROD, CABLE GUARD.....	3	
	MS24665-132	.WASHER, FLAT.....	6	
			.PIN, COTTER.....	6
- 19	MS20220-1	.PULLEY (FUSELAGE STATION 88.00, APPROXIMATE) (ELEVATOR UP) (ATTACHING PARTS)	1	
- 20	AN5-30A	.BOLT, MACHINE, AIRCRAFT.....	1	
	NAS430D5-74	.SPACER.....	1	
	NAS430D5-40	.SPACER.....	1	
	AN960-516	.WASHER, FLAT.....	1	
	MS20364-524C	.NUT.....	1	
- 21	7C10402-1	.ROD ASSEMBLY, PUSH..... (ATTACHING PARTS)	1	
- 22	AN24-13	.BOLT, CLEVIS.....	1	
	AN960-416	.WASHER, FLAT.....	1	
	AN320-4	.NUT, PLAIN CASTELLATED, SHEAR.....	1	
	MS24665-132	.PIN, COTTER.....	1	
- 23	7C10415-1	.LINKAGE ASSEMBLY..... (ATTACHING PARTS)	1	
- 24	MS20392-2C9	.PIN.....	1	
	AN960-10L	.WASHER, FLAT.....	1	
	MS24665-132	.PIN, COTTER.....	1	
- 25	7CM10312-11	.SHAFT, BELLCRANK ASSEMBLY..... (ATTACHING PARTS)	1	
- 26	AN3-11	.BOLT, MACHINE, AIRCRAFT.....	1	
	AN960-10	.WASHER, FLAT.....	1	
	AN320-3	.NUT.....	1	
- 27	B116	.BEARING, NEEDLE (80657).....	4	
- 28	7C10302-1	.BELLCRANK ASSEMBLY, FORWARD.....	1	
- 29	TT1205	.BEARING (80657).....	4	
- 30	B118	.BEARING (80657).....	2	
- 31	7C10302-3	.BELLCRANK ASSEMBLY, FORWARD.....	1	
- 32	7C10415-5	.SPRING AND LINK ASSEMBLY..... (ATTACHING PARTS)	1	
- 33	MS20392-2C9	.PIN.....	1	
	AN960-10L	.WASHER, FLAT.....	1	
	MS24665-	.PIN, COTTER.....	1	

GRUMMAN AMERICAN AVIATION
GA-7/COUGAR
ILLUSTRATED PARTS CATALOG

Figure & Index No.	Part Number	Nomenclature							Units Per Assy	Usable On Code
		1	2	3	4	5	6	7		
27- 8 - 34	7C10302-2	.BELL CRANK ASSEMBLY.....							1	
	7C10301-1	.PUSH ROD ASSEMBLY, ELEVATOR, FRONT..... (ATTACHING PARTS)							1	
- 36	AN6-7	.BOLT, MACHINE, AIRCRAFT.....							1	
	AN960-416	.WASHER, FLAT.....							1	
- 37	AN310-4	.NUT, PLAIN, CASTELLATED, AIRFRAME.....							1	
	MS24665-132	.PIN, COTTER.....							1	
	NAS464P4-16	.BOLT, MACHINE.....							1	
	GW10U614SC2	.WASHER.....							1	
	AN310-4	.NUT, PLAIN, CASTELLATED, AIRFRAME.....							1	
	MS24665-132	.PIN, COTTER.....							1	
- 38	7C10310-1	.BOB WEIGHT AND DOWN SPRING INSTALLATION..... (SEE FIGURE 27-13 FOR DETAIL BREAKDOWN)							RF	
- 39	7C10100-1	.CONTROL COLUMN ASSEMBLY, SINGLE (STANDARD)..... (SEE FIGURE 27-9 FOR DETAIL BREAKDOWN)							RF	
	7C10100-3	.CONTROL COLUMN ASSEMBLY, DUAL CONTROLS..... (OPTIONAL) (SEE FIGURE 27-9 FOR DETAIL BREAKDOWN)							RF	

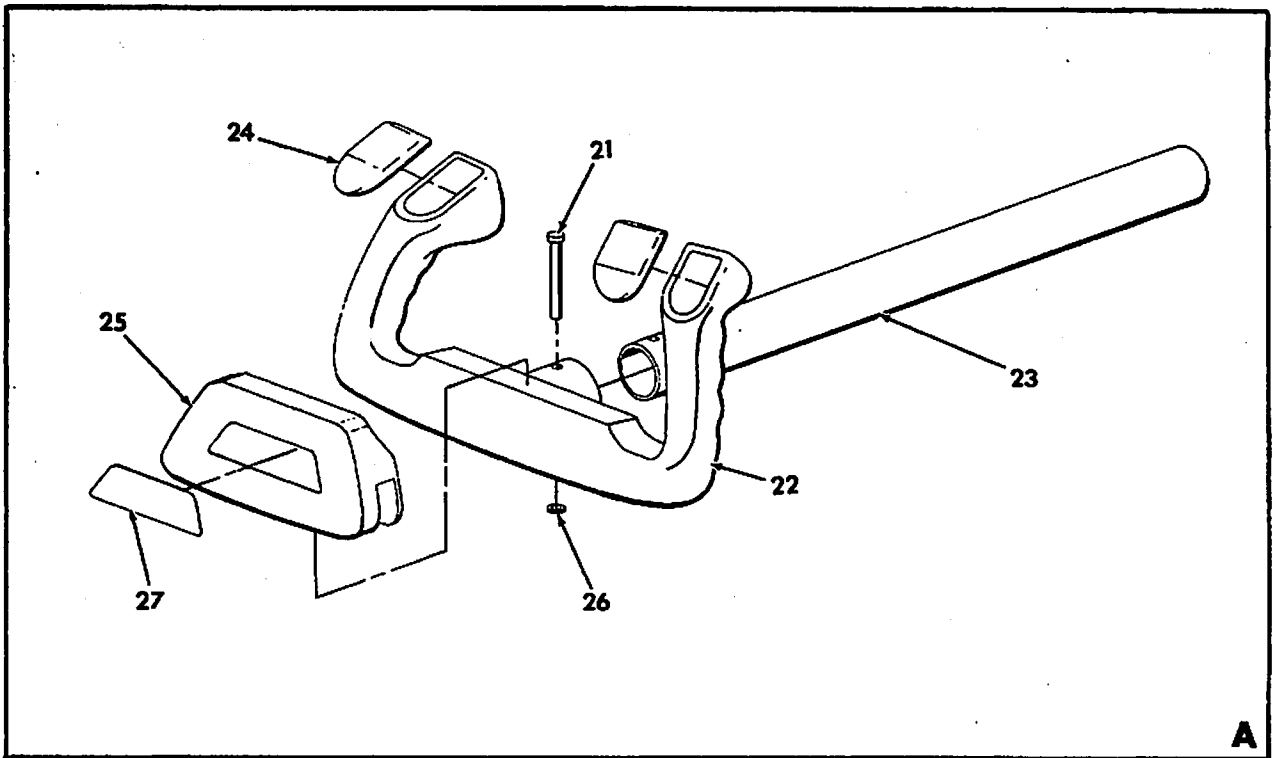
BRUMMAN AMERICAN AVIATION
GA-7/COUGAR
ILLUSTRATED PARTS CATALOG



Control Column Installation
Figure 27-9 (Sheet 1 of 2)

27G74-09-1

GRUMMAN AMERICAN AVIATION
GA-7/COUGAR
ILLUSTRATED PARTS CATALOG



Control Column Installation
Figure 27-9 (Sheet 2 of 2)

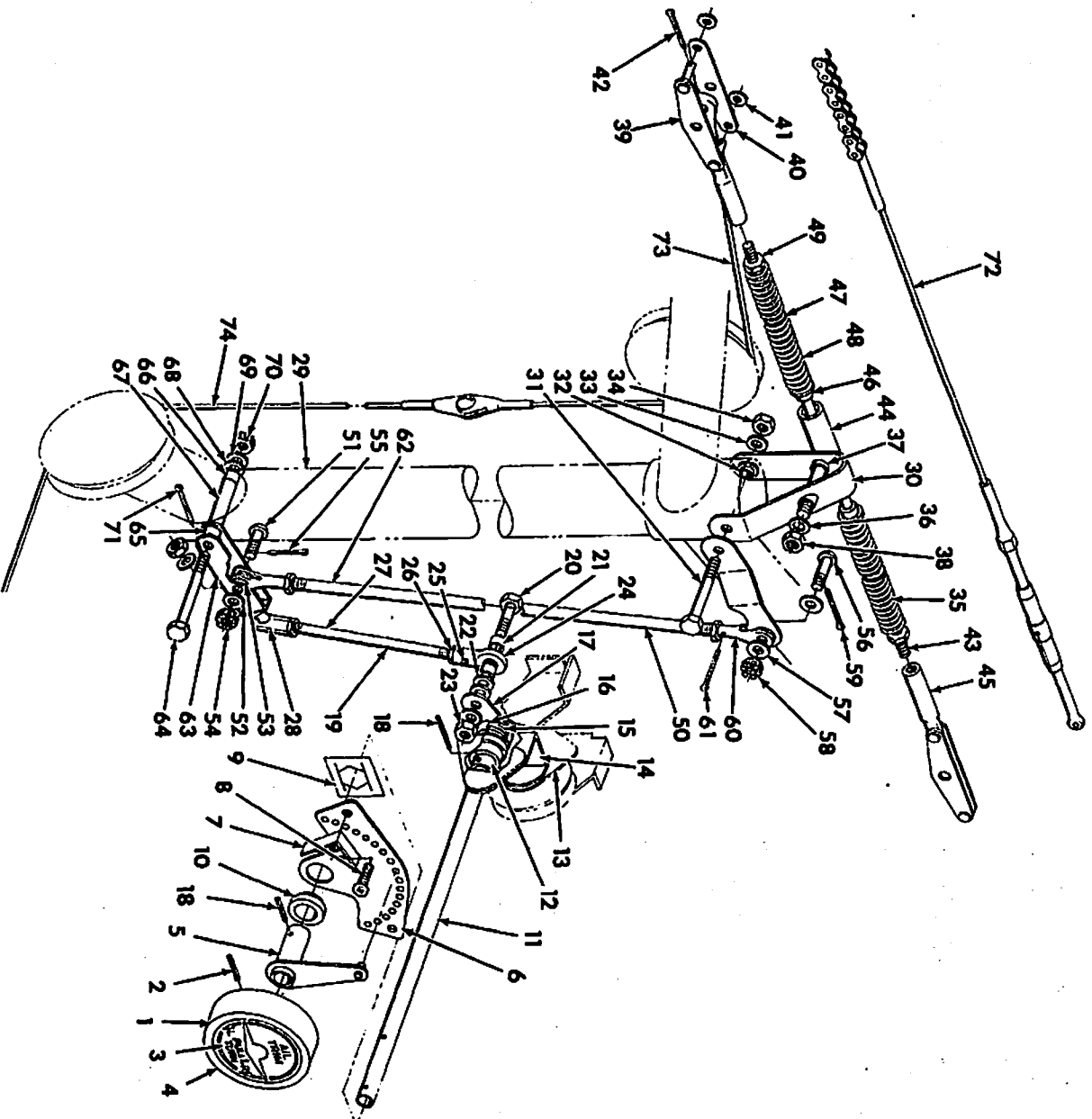
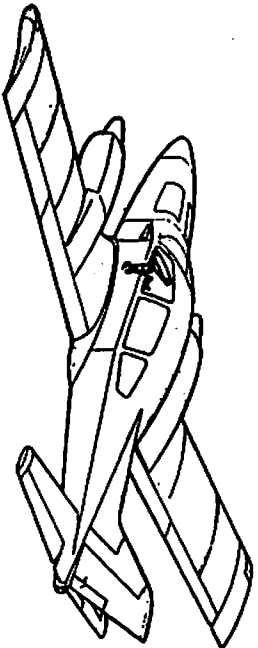
27G74-09-2

GRUMMAN AMERICAN AVIATION
GA-7/COUGAR
ILLUSTRATED PARTS CATALOG

Figure & Index No.	Part Number	Nomenclature							Units Per Assy	Usable On Code
		1	2	3	4	5	6	7		
27- 9 -	7C10100-1	CONTROL COLUMN ASSEMBLY, SINGLE (STANDARD).....							RF	
	7C10100-3	CONTROL COLUMN ASSEMBLY, DUAL CONTROLS.....							RF	
		(OPTIONAL)								
- 1	7C10250-1	.SUPPORT ASSEMBLY, CONTROL COLUMN.....							1	
- 2	7C10101-5	.CONTROL COLUMN ASSEMBLY, WELDMENT.....							1	
		(ATTACHING PARTS)								
- 3	AN4-7A	.BOLT, MACHINE, AIRFRAME.....							2	
	AN960-416	.WASHER, FLAT.....							2	
	MS20364-428C	.NUT.....							2	
	MS21233-4	.BEARING, SPHERICAL.....							2	
- 4	7C10101-3	.CONTROL COLUMN ASSEMBLY, WELDMENT.....							1	
		(ATTACHING PARTS)								
- 5	AN4-21A	.BOLT, MACHINE, AIRCRAFT.....							1	
	AN960-416	.WASHER, FLAT.....							2	
	MS20364-428C	.NUT.....							1	
- 6	AN4-24A	.BOLT, MACHINE, AIRCRAFT.....							1	
	FF310-3	.BUSHING, FLANGE (70417).....							2	
	AN960-416	.WASHER, FLAT.....							1	
	MS20364-428C	.NUT.....							1	
- 7	NO NUMBER	..PLUG, HYSOL FILL (12405) (3 PLACES).....							AR	
- 8	7CM10115-11	..SHAFT, CONTROL COLUMN.....							2	
- 9	PL18-30	..PLATE, THRUST (26124).....							2	
- 10	RAX718	..BEARING, THRUST (26124).....							2	
- 11	602104-6	..SHIM.....							AR	
- 12	MS20271810	.UNIVERSAL JOINT.....							1	
	MS20271810	.UNIVERSAL JOINT.....							2	
		(ATTACHING PARTS)								
- 13	7CM10114-11	.SPACER, CONTROL COLUMN.....							2	
- 14	NAS464P4A14	.BOLT, MACHINE, AIRCRAFT.....							2	
	AN960-416	.WASHER, FLAT.....							2	
	MS20364-428C	.NUT.....							2	
- 15	7C10612-5	.BELLCRANK ASSEMBLY.....							1	
		(ATTACHING PARTS)								
- 16	AN960-10L	.WASHER, FLAT.....							1	
	AA226-4	.BUSHING, PLAIN (70417).....							2	
	MS20364-1032C	.NUT.....							1	
- 17	7CM10311-11	.FORK, ELEVATOR PUSHROD.....							1	
		(ATTACHING PARTS)								
- 18	AN960-516	.WASHER, FLAT.....							1	
	AN310-5	.NUT.....							1	
	MS24665-132	.PIN, COTTER.....							1	
- 19	7C10103-1	.WHEEL ASSEMBLY, CONTROL.....							1	
	7C10103-1	.WHEEL ASSEMBLY, CONTROL.....							2	
		(ATTACHING PARTS)								
- 20	NAS464P4A20	.BOLT, MACHINE, AIRCRAFT.....							1	
	7CM10113-13	.SPACER.....							1	
	AN960-416	.WASHER, FLAT.....							1	
	MS20364-428C	.NUT.....							1	
	NAS464P4A20	.BOLT, MACHINE, AIRCRAFT.....							2	
	7CM10113-13	.SPACER.....							2	
	AN960-416	.WASHER, FLAT.....							2	
	MS20364-428C	.NUT.....							2	
- 21	7CM10111-1	..RIVET.....							1	

GRUMMAN AMERICAN AVIATION
GA-7/COUGAR
ILLUSTRATED PARTS CATALOG

Figure & Index No.	Part Number	Nomenclature							Units Per Assy	Usable On Code
		1	2	3	4	5	6	7		
27- 9 - 22	7CM10112-11	..WHEEL, CONTRCL.....							1	
- 23	7CM10113-11	..TUBE.....							1	
- 24	7FP10410-11	..CAP.....							2	
- 25	7FP10411-11	..PAD.....							1	
- 26	AN960-416	..WASHER, FLAT.....							1	
- 27	7F10038-17	..NAMEPLATE.....							1	



Aileron Trim Control Installation
Figure 27-10

2703410-1

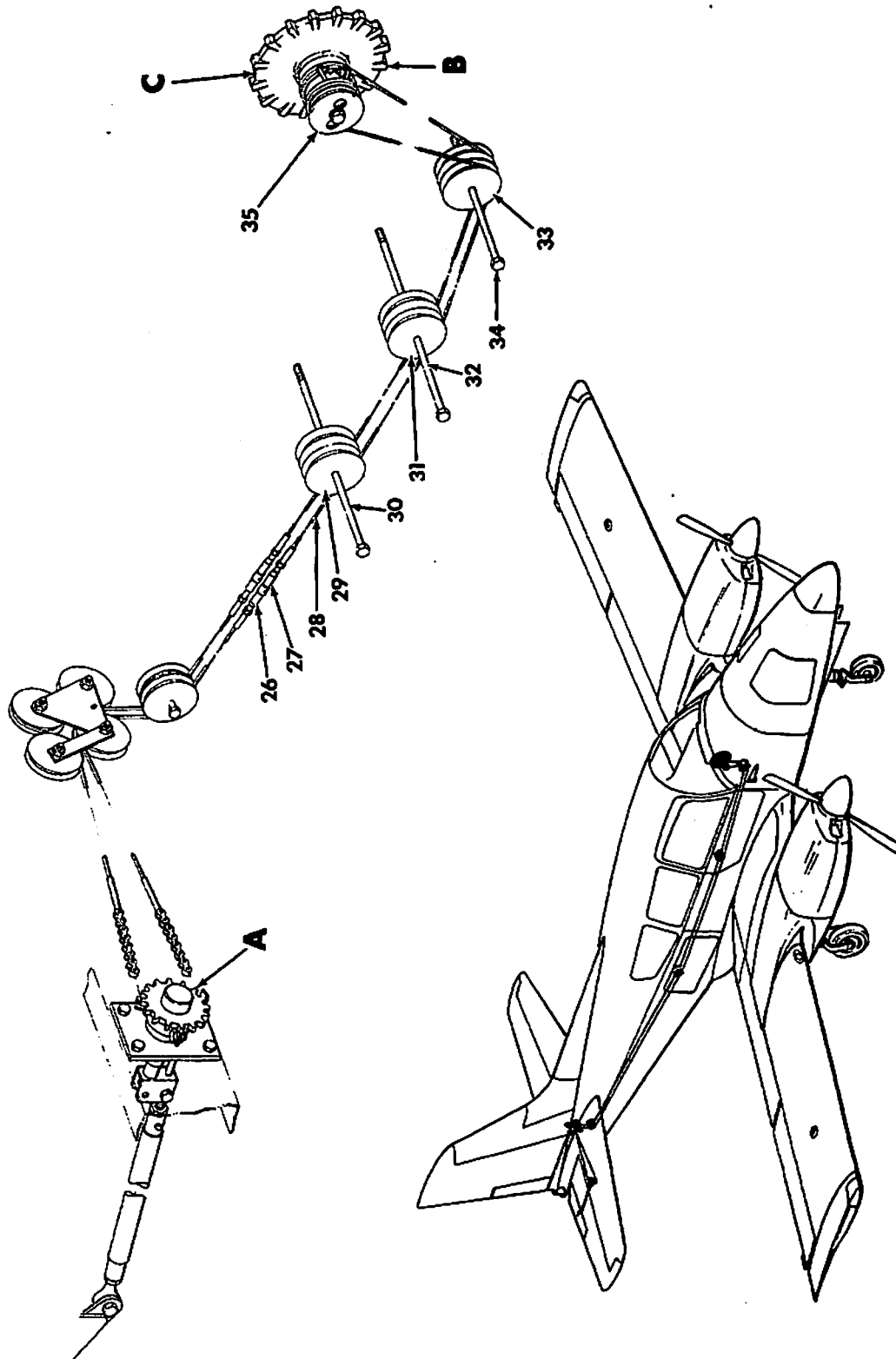
GRUMMAN AMERICAN AVIATION
GA-7/COUGAR
ILLUSTRATED PARTS CATALOG

Figure & Index No.	Part Number	Nomenclature	Units Per Assy	Usable On Code
27-10 -	7C10600-1	AILERON TRIM CONTROLS INSTALLATION.....	RF	
- 1	7C10616-1	..KNOB ASSEMBLY,AILERON TRIM CONTROL..... (USE AS REPLACEMENT FOR 7CM10614-11) (ATTACHING PARTS)	1	
- 2	MS16562-37	..PIN, SLOTTED.....	1	
- 3	7F10038-31	..PLACARD (SEE CHAPTER 11 FOR DETAILS).....	1	
- 4	248	..KNOB (80813).....	1	
- 5	7C10612-1	..PIN ASSEMBLY,LOCKING.....	1	
- 6	7C10612-31	..PLATE,LOCK.....	1	
- 7	7C10612-7	..STOP ASSEMBLY..... (ATTACHING PARTS)	2	
- 8	MS35206-243	..SCREW,MACHINE,PAN HEAD.....	2	
- 9	C1529-017-4	..RECEIVER,STUD.....	1	
- 10	5607016-1	..BEARING,TORQUE TUBE,TRIM TAB.....	1	
- 11	7CM10613-21	..SHAFT.....	1	
- 12	5607016-1	..BEARING,TORQUE TUBE,TRIM TAB.....	1	
- 13	7C10611-15	..GUARD,CABLE.....	2	
- 14	7C10611-19	..BRACKET.....	1	
- 15	LC-045H-2	..SPRING.....	1	
- 16	NAS430D10-20	..SPACER,STOP.....	1	
- 17	7C10612-3	..SHAFT END ASSEMBLY..... (ATTACHING PARTS)	1	
- 18	MS16562-32	..PIN, SLOTTED.....	2	
- 19	7CM10613-1	..ROD ASSEMBLY,AILERON TRIM..... (ATTACHING PARTS)	1	
- 20	AN3-11A	..BOLT,MACHINE,AIRCRAFT.....	1	
- 21	7CM10613-17	..SPACER.....	2	
- 22	AN960-10	..WASHER,FLAT.....	2	
- 23	MS20365-1032C	..NUT.....	1	
- 24	HF-3M	..ROD END (73134).....	1	
- 25	MS24665-132	..PIN,COTTER.....	2	
- 26	AN315-3R	..NUT,PLAIN.....	2	
- 27	7CM10613-11	..ROD.....	1	
- 28	LK862-1	..BALL JCINT.....	1	
- 29	7C10100-1	..CONTROL COLUMN ASSEMBLY (SEE FIGURE 27-9..... FOR DETAIL BREAKDOWN)	RF	
- 30	7C10612-5	..BELLCRANK ASSEMBLY..... (ATTACHING PARTS)	1	
- 31	AN4-24A	..BOLT,MACHINE,AIRCRAFT.....	1	
- 32	FF310-3	..BUSHING,FLANGE (70417).....	2	
- 33	AN960-416	..WASHER,FLAT.....	1	
- 34	MS20364-428C	..NUT,SELF-LOCKING.....	1	
- 35	7CM10615-1	..BUNGEE ASSEMBLY,AILERON TRIM..... (ATTACHING PARTS)	1	
- 36	AN960-10L	..WASHER,FLAT.....	1	
- 37	AA226-4	..BUSHING,PLAIN (70417).....	2	
- 38	MS20364-1032C	..NUT.....	1	
- 39	7C10116-3	..LINK ASSEMBLY.....	1	
- 40	7C10116-11	..LINK.....	1	
- 41	AN960-6	..WASHER,FLAT.....	2	
- 42	MS24665-132	..PIN,COTTER.....	2	
- 43	7CM10615-3	..GUIDE ASSEMBLY.....	1	
- 44	7CM10615-5	..COMPRESSOR ASSEMBLY.....	1	

GRUMMAN AMERICAN AVIATION
GA-7/COUGAR
ILLUSTRATED PARTS CATALOG

Figure & Index No.	Part Number	Nomenclature	Units	Usable
			Per Assy	On Code
		1 2 3 4 5 6 7		
27-10 - 45	7CM10615-19	..CONNECTOR.....	2	
- 46	FF312	..BEARING (AMPLEX DIV-CHRYSLER CORP.).....	2	
- 47	LC-063G-11	..SPRING (MUSIC WIRE).....	4	
- 48	AN960-416	..WASHER, FLAT.....	2	
- 49	AN316-4R	..NUT.....	2	
- 50	7CM10613-5	..ROD ASSEMBLY,AILERON TRIM.....	1	
		(ATTACHING PARTS)		
- 51	AN23-18	..BOLT,MACHINE,AIRCRAFT.....	1	
- 52	AN960-10	..WASHER, FLAT.....	1	
- 53	NAS43HT3-17	..SPACER.....	1	
- 54	AN320-3	..NUT, PLAIN CASTELLATED.....	1	
- 55	MS24665-132	..PIN, COTTER.....	1	
- 56	AN23-11	..BOLT,MACHINE,AIRCRAFT.....	1	
- 57	AN960-10	..WASHER, FLAT.....	2	
- 58	AN320-3	..NUT, PLAIN CASTELLATED.....	1	
- 59	MS24665-132	..PIN, COTTER.....	1	
		-----*		
- 60	MS27976-4	..CLEVIS.....	2	
- 61	MS20470AD4	..PIN.....	2	
- 62	7CM10613-23	..TUBE.....	1	
- 63	7C10612-43	..LEVER, REAR.....	1	
		(ATTACHING PARTS)		
- 64	AN3-26	..BOLT,MACHINE,AIRCRAFT.....	1	
- 65	NAS43DD3-44	..SPACER.....	1	
- 66	AA225-2	..BUSHING.....	2	
- 67	7CM10613-19	..SPACER.....	1	
- 68	TT-400	..WASHER, THRUST.....	2	
- 69	AN960-10L	..WASHER, FLAT.....	3	
- 70	AN320-3	..NUT, PLAIN,CASTELLATED.....	1	
- 71	MS24665-132	..PIN, COTTER.....	1	
		-----*		
- 72	7C10150-1	..CABLE ASSEMBLY,AILERON CONTROL COLUMN (SEE.....	RF	
		FIGURE 27-2 FOR DETAIL BREAKDOWN)		
- 73	7C10150-3	..CABLE ASSEMBLY,AILERON CONTROL COLUMN (SEE.....	RF	
		FIGURE 27-2 FOR DETAIL BREAKDOWN)		
- 74	7C10150-4	..CABLE ASSEMBLY,AILERON CONTROL COLUMN (SEE.....	RF	
		FIGURE 27-2 FOR DETAIL BREAKDOWN)		

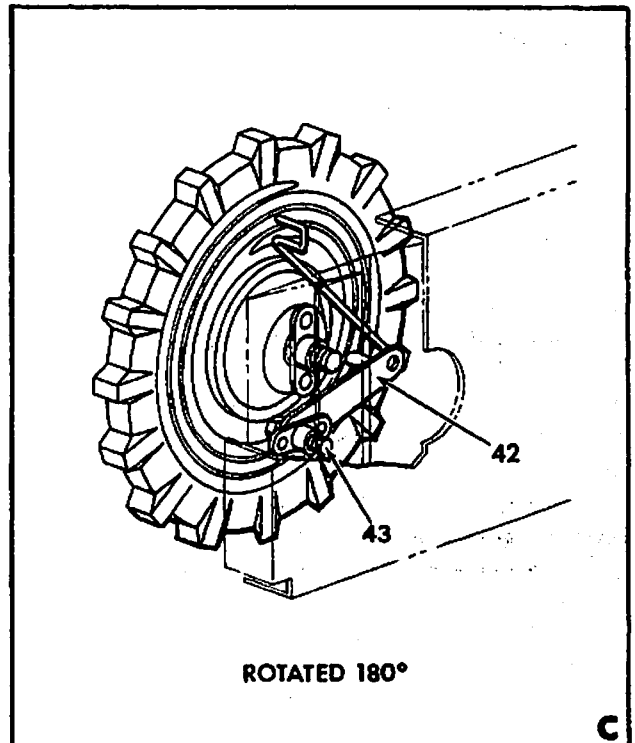
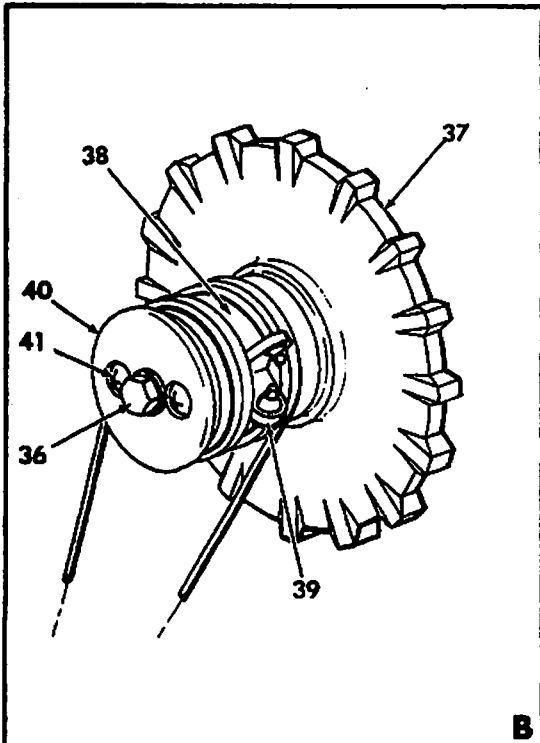
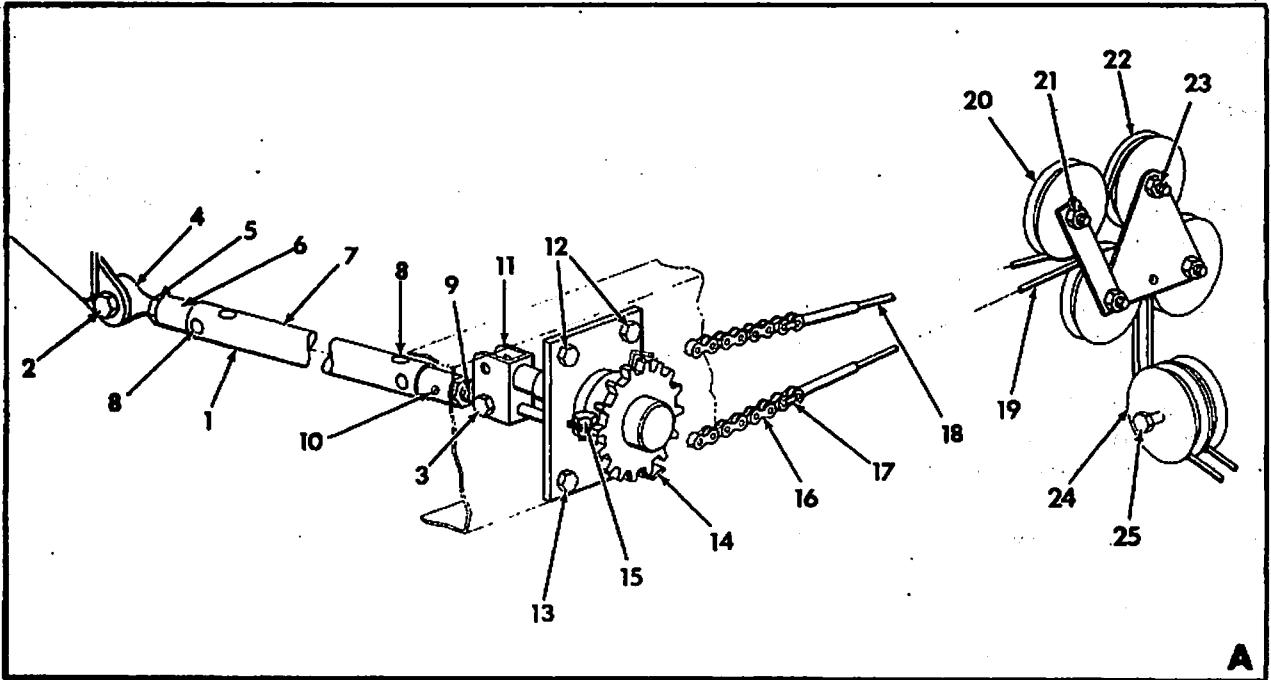
GRUMMAN AMERICAN AVIATION
GA-7/COUGAR
ILLUSTRATED PARTS CATALOG



Elevator Trim Control Installation
Figure 27-11 (Sheet 1 of 2)

27074-11-1

BRUMMAN AMERICAN AVIATION
GA-7/COUGAR
ILLUSTRATED PARTS CATALOG



Elevator Trim Control Installation
 Figure 27-11 (Sheet 2 of 2)

27G74-11-2

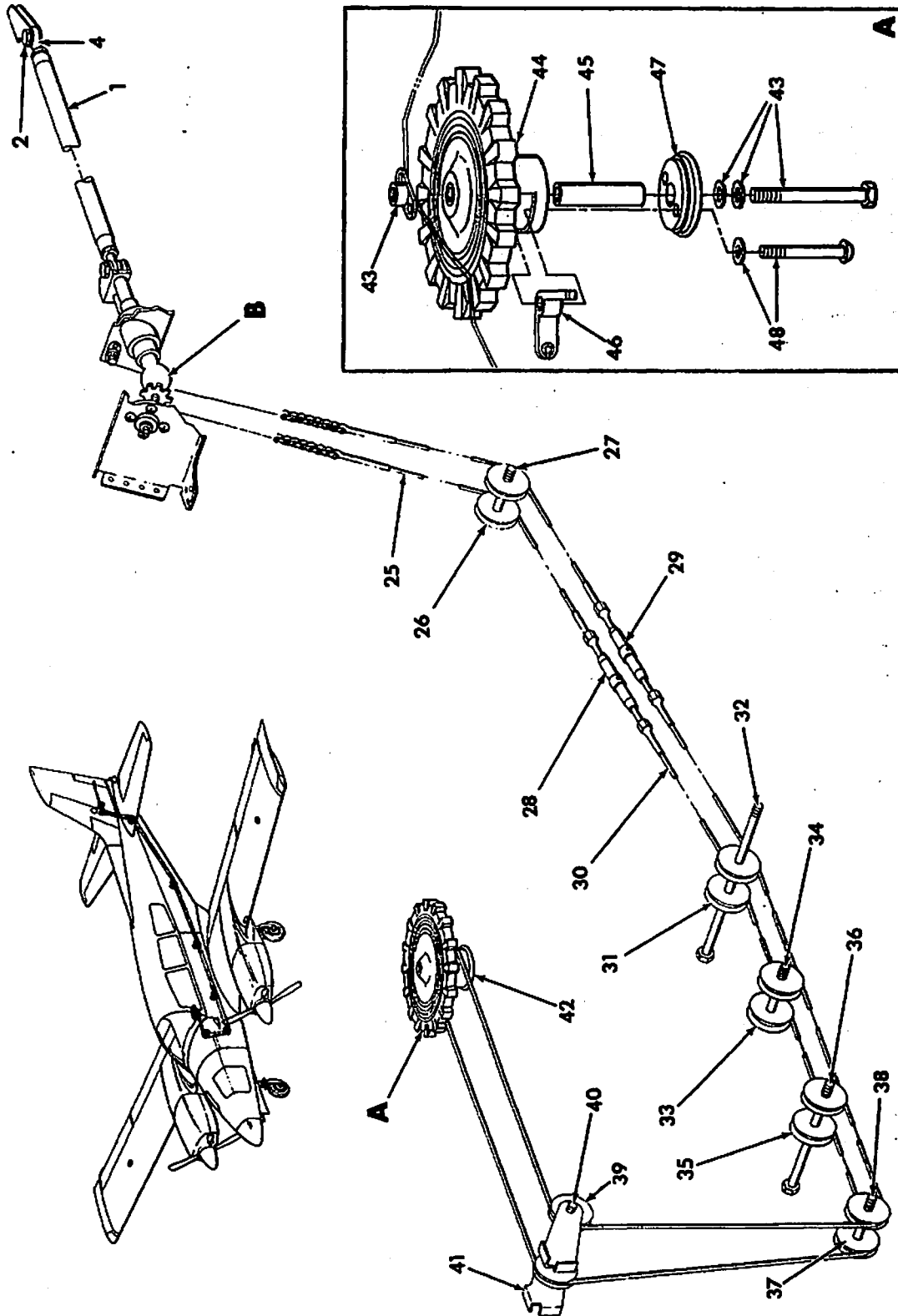
GRUMMAN AMERICAN AVIATION
GA-7/COUGAR
ILLUSTRATED PARTS CATALOG

Figure & Index No.	Part Number	Nomenclature	Units Per Assy	Usable On Code
27-11 -	7C10700-1	ELEVATOR TRIM CONTROL INSTALLATION.....	RF	
- 1	7C10704-5	.ROD ASSEMBLY,PUSH,ELEVATOR TRIM TAB CONTROL.... (ATTACHING PARTS)	1	
- 2	AN4-7	.BOLT,MACHINE,AIRCRAFT.....	1	
	GW10U614SC2	.WASHER,FLAT.....	1	
	AN320-4	.NUT,PLAIN,CASTELLATED,SHEAR.....	1	
	MS24665-132	.PIN,COTTER.....	1	
- 3	AN4-7	.BOLT,MACHINE,AIRCRAFT.....	1	
	AN960-416L	.WASHER,FLAT.....	3	
	AN320-4	.NUT,PLAIN,CASTELLATED,SHEAR.....	1	
	MS24665-132	.PIN,COTTER.....	1	
- 4	HM-4M	.ROD ENC.....	1	
- 5	AN316-4R	.NUT,JAM HEXAGON.....	2	
- 6	7C10304-5	.ADAPTER.....	2	
- 7	7C10704-11	.TUBE.....	1	
- 8	MS20470AD5	.RIVET.....	4	
- 9	M44-14M	.ROD ENC.....	1	
- 10	MS24665-134	.PIN,COTTER.....	1	
- 11	7C10702-1	.ACTUATOR ASSEMBLY,ELEVATOR TRIM..... (ATTACHING PARTS)	1	
- 12	AN3-5A	.BOLT,MACHINE,AIRCRAFT.....	2	
	AN960-10L	.WASHER,FLAT.....	2	
	MS21042-3	.NUT,SELF-LOCKING.....	2	
- 13	AN3-10A	.BOLT,MACHINE,AIRCRAFT.....	2	
	NAS43DD3-20	.SPACER.....	2	
	AN960-10L	.WASHER,FLAT.....	2	
	MS21042-3	.NUT,SELF-LOCKING.....	2	
- 14	7C10117-19	.GUARD,SPROCKET..... (ATTACHING PARTS)	1	
- 15	AN3-3A	.BOLT,MACHINE,AIRCRAFT.....	1	
	AN960-10L	.WASHER,FLAT.....	1	
	MS20364-1032C	.NUT,SELF-LOCKING.....	1	
- 16	7C10700-11	.CHAIN ASSEMBLY,LINK (113 LINKS)..... (ATTACHING PARTS)	1	
- 17	ASA STD 25	.LINK,CONNECTING,SPRING TYPE.....	2	
- 18	7C10150-27	.CABLE ASSEMBLY,ELEVATOR TRIM,AFT UPPER.....	1	
- 19	7C10150-22	.CABLE ASSEMBLY,ELEVATOR TRIM,AFT LOWER.....	1	
	7C10150-28	.CABLE ASSEMBLY,ELEVATOR TRIM (OPTIONAL- USEC WITH CENTURY III AUTO PILOT INSTALLATION,SEE CHAPTER 22)	1	
- 20	MS20220-1	.PULLEY (FUSELAGE STATION 284.00)..... (ATTACHING PARTS)	1	
- 21	AN5-22A	.BOLT,AIRCRAFT.....	1	
	AN960-416	.WASHER,FLAT (INSTALLED BETWEEN 7C10117-17 AND 7C10117-1)	1	
	NAS43DD5-52	.SPACER.....	1	
	7C10117-1	.PLATE,GUARD,CABLE.....	1	
	AN960-516	.WASHER.....	AR	
	MS20364-524C	.NUT,SELF-LOCKING.....	1	
- 22	MS20219-2	.PULLEY (FUSELAGE STATION 284.00)..... (ATTACHING PARTS)	3	
- 23	AN4-21A	.BOLT,MACHINE,AIRCRAFT.....	3	
	NAS43DD4-58	.SPACER.....	3	
	7C10117-17	.PLATE,GUARD,CABLE.....	2	

GRUMMAN AMERICAN AVIATION
GA-7/COUGAR
ILLUSTRATED PARTS CATALOG

Figure & Index No.	Part Number	Nomenclature	Units Per Assy	Usable On Code
27-11 - 23	AN960-416L MS20364-428C MS24665-353	.WASHER, FLAT.....	3	
		.NUT, SELF-LOCKING.....	3	
		.PIN, COTTER.....	1	
- 24	MS20219-2	.PULLEY (FUSELAGE STATION 284.00)..... (ATTACHING PARTS)	2	
- 25	AN4-16A NAS430D4-16 AN960-416L MS20364-428C MS24665-142	.BOLT, MACHINE, AIRCRAFT.....	1	
		.SPACER.....	2	
		.WASHER, FLAT (UNDER NUT).....	1	
		.NUT, SELF-LOCKING.....	1	
		.PIN, COTTER.....	2	
- 26	MS2125183S	.TURNBUCKLE BODY (USED ON INDEX NUMBERS 18..... AND 19 TO ATTACH INDEX NUMBER 28)	2	
- 27	MS21256-1	.CLIP, TURNBUCKLE, LOCKING (USED ON INDEX..... NUMBER 26)	2	
- 28	7C10150-21	.CABLE ASSEMBLY, ELEVATOR TRIM (FORWARD).....	2	
- 29	MS20219-2	.PULLEY (FUSELAGE STATION 181.632)..... (ATTACHING PARTS)	2	
- 30	AN4-65A 7CM10254-13 NAS430D4-58 AN960-416 MS20364-428C 7C10117-15 7CM10151-13 7CM10151-11 MS24665-132	.BOLT, MACHINE, AIRCRAFT.....	1	
		.SPACER.....	2	
		.SPACER.....	2	
		.WASHER, FLAT.....	1	
		.NUT, SELF-LOCKING.....	1	
		.GUARD, CABLE.....	2	
		.ROD, CABLE GUARD.....	1	
		.ROD, CABLE GUARD.....	1	
		.PIN, COTTER.....	4	
		- 31	MS20219-2	.PULLEY (FUSELAGE STATION 137.50)..... (ATTACHING PARTS)
- 32	AN4-25A AN960-416 MS20364-428C MS24665-295	.BOLT, MACHINE, AIRCRAFT.....	1	
		.WASHER, FLAT.....	7	
		.NUT, SELF-LOCKING.....	1	
		.PIN, COTTER.....	1	
- 33	MS20220-1	.PULLEY (FUSELAGE STATION 88.00)..... (ATTACHING PARTS)	1	
- 34	AN4-24A AN960-516 AN960-516L 7CM10254-13 AN960-416 MS20364-428C	.BOLT, MACHINE, AIRCRAFT.....	2	
		.WASHER, FLAT.....	AR	
		.WASHER, FLAT.....	AR	
		.SPACER.....	3	
		.WASHER, FLAT.....	1	
		.NUT, SELF-LOCKING.....	1	
- 35	7C10701-3	.WHEEL ASSEMBLY, TRIM TAB CONTROL..... (ATTACHING PARTS)	1	
- 36	AN3H26A AN960-10 NAS43HT3-149	.BOLT, MACHINE, AIRCRAFT.....	1	
		.WASHER, FLAT.....	1	
		.SPACER.....	1	
- 37	7C10701-17	.WHEEL, TRIM.....	1	
- 38	7C10701-19	.TUBE.....	1	
- 39	7C10701-21	.RETAINER, CABLE.....	1	
- 40	7C10701-13	.CAP, END..... (ATTACHING PARTS)	1	
- 41	NAS220-28 AN936A8	.SCREW.....	2	
		.WASHER, TOOTH LOCK.....	2	
- 42	7F10333-5	.BRACKET ASSEMBLY, TRIM INDICATOR..... (ATTACHING PARTS)	1	
- 43	MS35206-230 AN960C6L NAS43HT1-8 3502-14-47	.SCRFW, PAN HEAD.....	1	
		.WASHER, FLAT.....	2	
		.SPACER.....	1	
		.WASHER, LOCK, SHAKEPROOF.....	1	

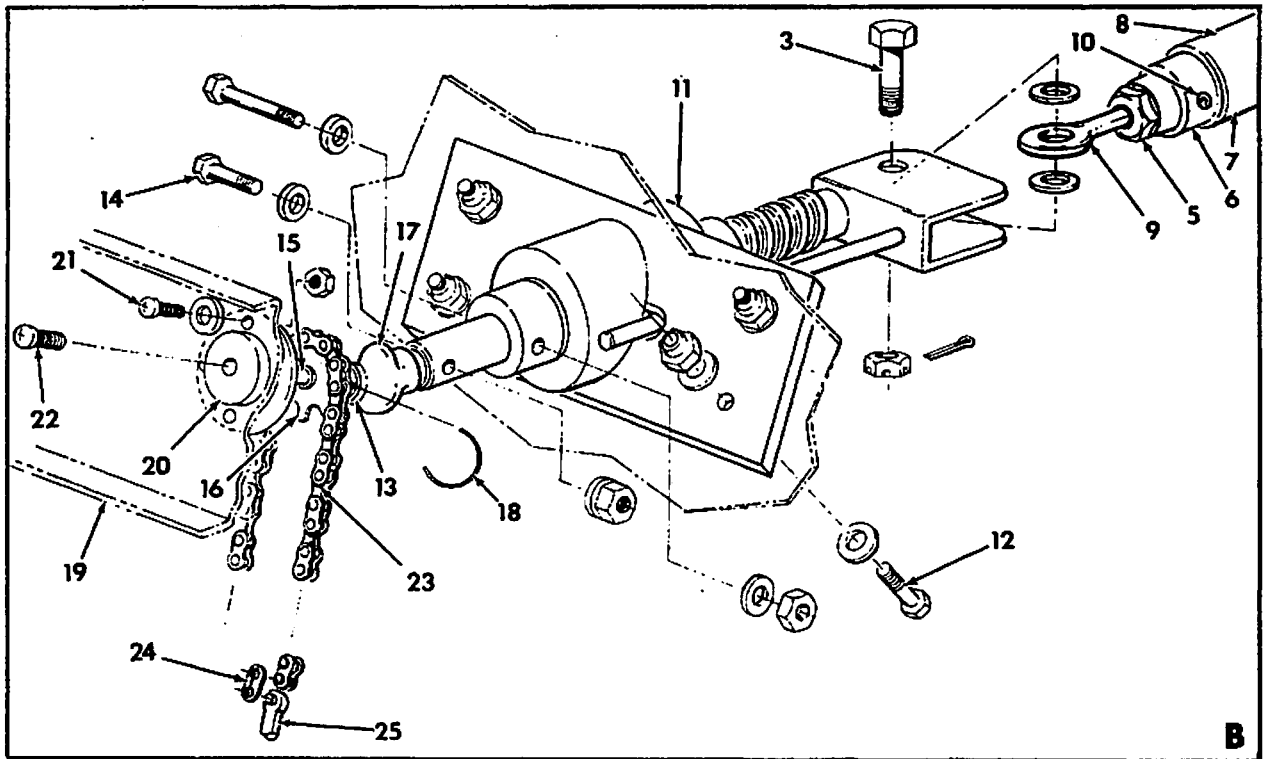
GRUMMAN AMERICAN AVIATION
GA-7/COUGAR
ILLUSTRATED PARTS CATALOG



Rudder Trim Control Installation
Figure 27-12 (Sheet 1 of 2)

27G74-12-1

GRUMMAN AMERICAN AVIATION
GA-7/COUGAR
ILLUSTRATED PARTS CATALOG



Rudder Trim Control Installation
Figure 27-12 (Sheet 2 of 2)

27G74-12-2

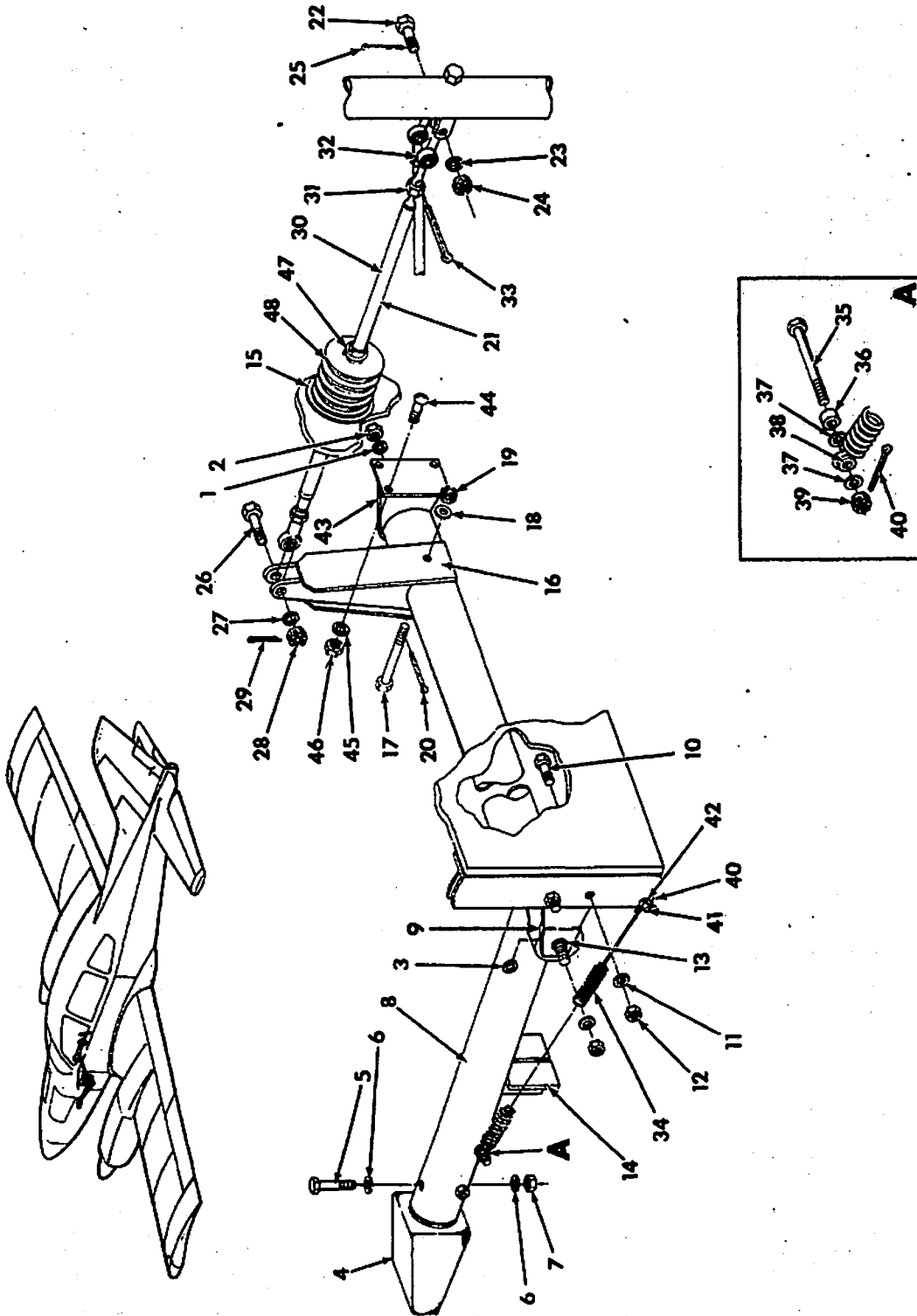
GRUMMAN AMERICAN AVIATION
GA-7/COUGAR
ILLUSTRATED PARTS CATALOG

Figure & Index No.	Part Number	Nomenclature	Units Per Assy	Usable On Code
27-12 -	7C10800-1	RUDDER TRIM CONTROL INSTALLATION.....	RF	
- 1	7C10704-3	.ROD ASSEMBLY, TRIM TAB CONTROL..... (ATTACHING PARTS)	1	
- 2	AN4-7	.BOLT, MACHINE, AIRCRAFT.....	1	
	AN960-416	.WASHER, FLAT.....	2	
	AN320-4	.NUT, PLAIN, CASTELLATED.....	1	
	MS24665-132	.PIN, COTTER.....	1	
- 3	AN4-7	.BOLT, MACHINE, AIRCRAFT.....	1	
	AN960-416L	.WASHER, FLAT.....	3	
	AN320-4	.NUT, PLAIN.....	1	
	MS24665-132	.PIN, COTTER.....	1	
- 4	HM-4M	..ROD ENC.....	1	
- 5	AN316-4R	..NUT, JAM HEXAGON.....	2	
- 6	7C10304-5	..ADAPTER.....	2	
- 7	7C10704-13	..TUBE.....	1	
- 8	MS20470AD5	..RIVET.....	4	
- 9	M44-14M	..ROD ENC.....	1	
- 10	MS24665-134	..PIN, COTTER.....	1	
- 11	7C10702-3	.ACTUATOR ASSEMBLY, RUDDER TRIM..... (ATTACHING PARTS)	1	
- 12	AN3-5A	.BOLT, MACHINE, AIRCRAFT.....	4	
	AN960-10L	.WASHER, FLAT.....	4	
	MS21042-3	.NUT, SELF-LOCKING.....	4	
- 13	7C10800-3	.SPROCKET AND UNIVERSAL ASSEMBLY, RUDDER TRIM... (ATTACHING PARTS)	1	
- 14	AN3-6A	.BOLT, MACHINE, AIRCRAFT.....	1	
	AN960-10L	.WASHER, FLAT.....	2	
	MS20364-1032C	.NUT, SELF-LOCKING.....	1	
- 15	7C10800-13	..PIN.....	1	
- 16	7C10800-15	..SPROCKET.....	1	
- 17	MS20271B6	..UNIVERSAL JOINT.....	1	
- 18	MS16562-41	..PIN, SPRING.....	1	
- 19	7CS10402-1	.SUPPORT ASSEMBLY, TRIM TAB ACTUATOR.....	1	
- 20	MS20218-1	..BEARING, BALL..... (ATTACHING PARTS)	1	
- 21	MS35206-227	..SCRFW, MACHINE, PAN HEAD.....	2	
	AN960-6	..WASHER, FLAT.....	2	
	MS21042L06	..NUT, SELF-LOCKING.....	2	
- 22	MS35206-231	..SCREW, MACHINE, PAN HEAD.....	2	
	AN960-6	..WASHER, FLAT.....	2	
	MS21042L06	..NUT, SELF-LOCKING.....	2	
- 23	7C10700-11	.CHAIN ASSEMBLY, LINK (113 LINKS)..... (ATTACHING PARTS)	1	
- 24	ASA STD 25	.LINK, CONNECTING, SPRING TYPE.....	2	
- 25	7C10150-25	.CABLE ASSEMBLY, RUDDER TRIM (AFT).....	2	
- 26	MS20219-2	.PULLEY, FUSELAGE STATION 284.00 RUDDER TRIM... (ATTACHING PARTS)	2	
- 27	AN4-17A	.BOLT, MACHINE, AIRCRAFT.....	1	
	NAS430D4-32	.SPACFR.....	1	
	AN960-416L	.WASHER, FLAT (UNDER NUT).....	1	
	MS20364-428C	.NUT, SELF-LOCKING.....	1	
	MS24665-291	.PIN, COTTER.....	1	
- 28	MS21251B3S	.TURNBUCKLE BODY (USED ON INDEX NUMBER 25..... TO ATTACH INDEX NUMBER 30)	2	

GRUMMAN AMERICAN AVIATION
GA-7/COUGAR
ILLUSTRATED PARTS CATALOG

Figure & Index No.	Part Number	Nomenclature	Units Per Assy	Usable On Code
27-12 - 29	MS21256-1	.CLIP, TURNBUCKLE, LOCKING (USED ON INDEX..... NUMBER 28)	2	
- 30	7C13150-24	.CABLE ASSEMBLY, RUDDER TRIM (FORWARD).....	2	
- 31	MS20219-2	.PULLEY, FUSELAGE STATION 181, RUDDER TRIM..... (ATTACHING PARTS)	2	
- 32	AN4-65A	.BOLT, MACHINE, AIRCRAFT.....	1	
	7CM10254-13	.SPACER.....	2	
	NAS43DD4-58	.SPACER.....	2	
	AN960-416	.WASHER, FLAT.....	1	
	MS20364-428C	.NUT, SELF-LOCKING.....	1	
	7C10117-15	.GUARD, CABLE.....	2	
	7CM10151-13	.ROD, CABLE GUARD.....	1	
	7CM10151-11	.ROD, CABLE GUARD.....	1	
	MS24665-132	.PIN, COTTER.....	4	
- 33	MS20219-2	.PULLEY (FUSELAGE STATION 137.50 RUDDER..... TRIM) (ATTACHING PARTS)	2	
- 34	AN4-25A	.BOLT, MACHINE, AIRCRAFT.....	1	
	AN960-416	.WASHER, FLAT.....	7	
	MS20364-428C	.NUT, SELF-LOCKING.....	1	
	MS24665-295	.PIN, COTTER.....	1	
- 35	MS20219-2	.PULLEY (FUSELAGE STATION 88.00 RUDDER TRIM).... (ATTACHING PARTS)	2	
- 36	AN4-24A	.BOLT, MACHINE, AIRCRAFT.....	2	
	7CM10254-13	.SPACER.....	1	
	AN960-416	.WASHER, FLAT.....	1	
	MS20364-428C	.NUT, SELF-LOCKING.....	1	
	7CM10151-15	.ROD, CABLE GUARD.....	1	
	AN960-10	.WASHER, FLAT.....	2	
	MS24665-132	.PIN, COTTER.....	2	
- 37	MS20220-1	.PULLEY (FUSELAGE STATION 68.54 RUDDER TRIM).... (ATTACHING PARTS)	2	
- 38	AN5-27A	.BOLT, MACHINE, AIRCRAFT.....	1	
	AN960-516	.WASHER, FLAT (BETWEEN BRACKET AND PULLEY..... AND UNDER NUT)	3	
	NAS43DD5-64	.SPACER.....	1	
	MS20364-524C	.NUT, SELF-LOCKING.....	1	
	MS24665-295	.PIN, COTTER.....	2	
- 39	MS20219-2	.PULLEY (CONTROLS CONSOLE AREA-FUSELAGE..... STATION 55.09) (ATTACHING PARTS)	2	
- 40	AN4-10A	.BOLT, MACHINE, AIRCRAFT.....	2	
	AN960-416	.WASHER, FLAT.....	2	
	MS20365-428C	.NUT, SELF-LOCKING.....	2	
	MS24665-283	.PIN, COTTER.....	4	
- 41	7C10611-15	.GUARD, CABLE.....	2	
- 42	7C10701-3	.WHEEL ASSEMBLY, TRIM TAB CONTROL..... (ATTACHING PARTS)	1	
- 43	AN3H25A	.BOLT, MACHINE, AIRCRAFT.....	1	
	AN960-10L	.WASHER, FLAT.....	1	
	NAS43HT3-149	.SPACER.....	1	
	NAS697A3	.NUT, PLATE.....	1	
- 44	7C10701-17	.WHEEL, TRIM.....	1	
- 45	7C10701-19	.TUBE.....	1	
- 46	7C10701-21	.RETAINER.....	1	
- 47	7C10701-13	.CAP, END..... (ATTACHING PARTS)	1	
- 48	NAS220-28	.SCREW.....	2	
- 49	AN936A8	.WASHER, TOOTH.....	2	

GRUMMAN AMERICAN AVIATION
GA-7/COUGAR
ILLUSTRATED PARTS CATALOG



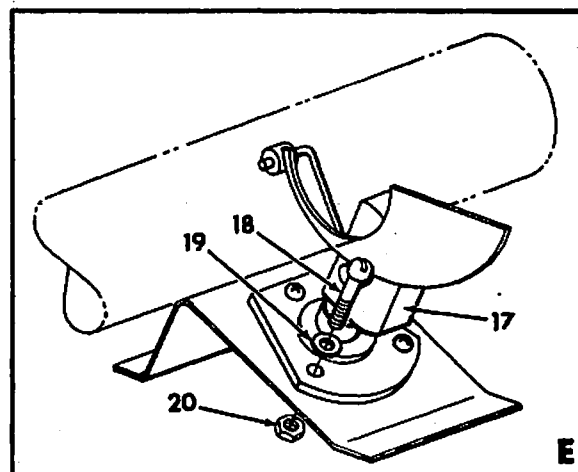
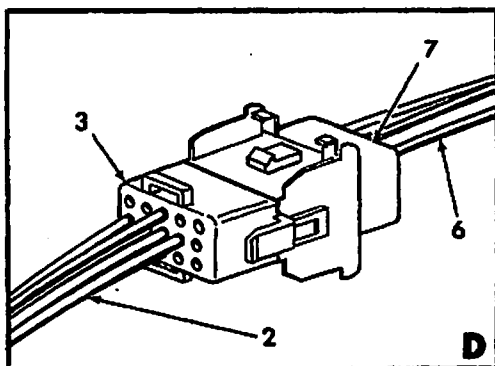
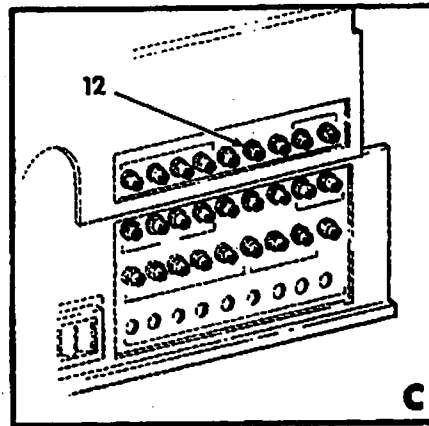
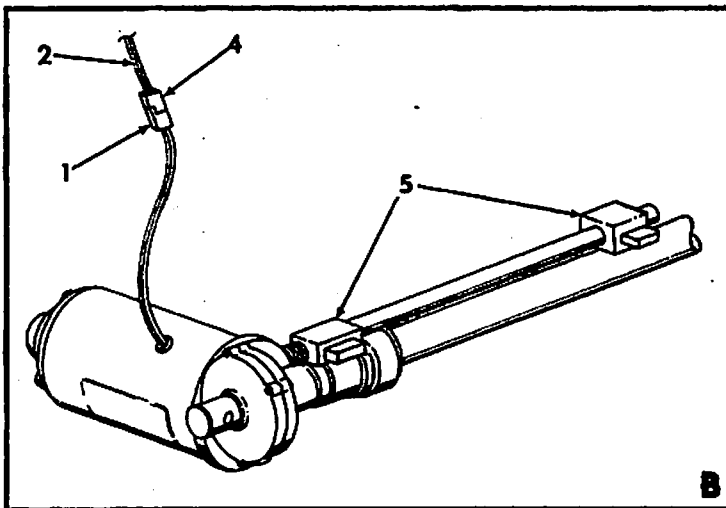
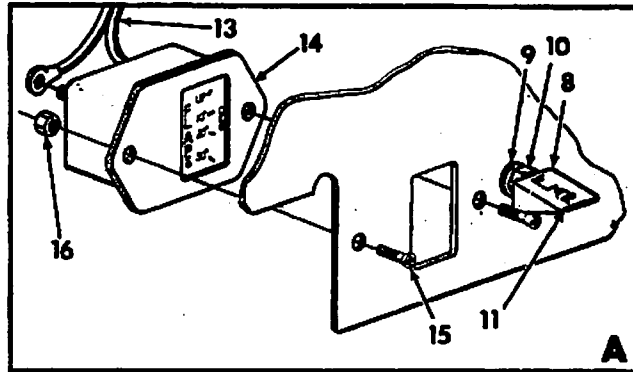
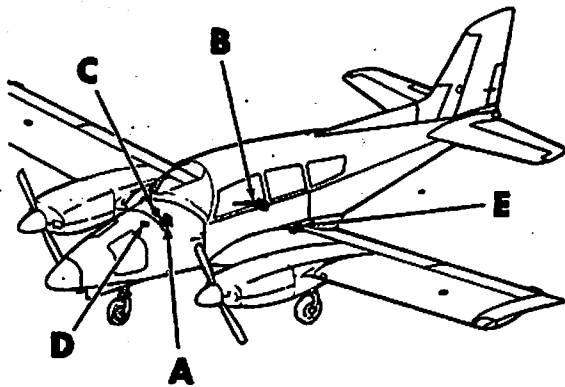
Bobweight Installation
Figure 27-13

27G74-13-1

GRUMMAN AMERICAN AVIATION
GA-7/COUGAR
ILLUSTRATED PARTS CATALOG

Figure & Index No.	Part Number	Nomenclature	Units Per Assy	Usable On Code
27-13 -	7C10310-1	ELEVATOR BOB WEIGHT AND DOWN SPRING.....	NP	
		INSTALLATION		
	7C10310-3	.BOB WEIGHT AND SUPPORT ASSEMBLY.....	1	
		(ATTACHING PARTS)		
- 1	MS21042L4	.NUT, SELF-LOCKING.....	2	
- 2	AN960-416	.WASHER, FLAT.....	2	
- 3	AN960-416L	.WASHER, FLAT.....	AR	
		-----*		
- 4	7C10308-1	..WEIGHT, BOB.....	1	
		(ATTACHING PARTS)		
- 5	AN4-24A	..BOLT, MACHINE, AIRCRAFT.....	2	
- 6	AN960-416	..WASHER, FLAT.....	4	
- 7	MS21042L4	..NUT, SELF-LOCKING.....	2	
		-----*		
- 8	7C10309-1	..SUPPORT ASSEMBLY, BOB WEIGHT (ATTACHED BY.....	1	
		INDEX NUMBERS 1 AND 2)		
- 9	7CS10103-9	..BRACKET ASSEMBLY.....	1	
		(ATTACHING PARTS)		
- 10	AN3-5A	..BOLT, MACHINE AIRCRAFT.....	2	
- 11	AN960-10	..WASHER, FLAT.....	2	
- 12	MS21042L3	..NUT, SELF-LOCKING.....	2	
		-----*		
- 13	MS27641-4	..BEARING.....	1	
- 14	7C10310-5	.BUMPER ASSEMBLY.....	1	
- 15	7C10310-15	.PLATE, CLAMP.....	1	
- 16	7C10309-3	.CRANK ASSEMBLY.....	1	
		(ATTACHING PARTS)		
- 17	NAS1304-38D	.BOLT, SHEAR.....	1	
- 18	AN960-416	.WASHER, FLAT.....	1	
- 19	AN320-4	.NUT, PLAIN, CASTELLATED.....	1	
- 20	MS24665-132	.PIN, COTTER.....	1	
		-----*		
- 21	7C10309-5	.ROD ASSEMBLY, PUSH.....	1	
		(ATTACHING PARTS)		
- 22	NAS464P4-16	.BOLT, SHEAR.....	1	
- 23	GWL0U614SC2	.WASHER, FLAT.....	1	
- 24	AN310-4	.NUT, PLAIN, CASTELLATED, AIRFRAME.....	1	
- 25	MS24665-132	.PIN, COTTER.....	1	
- 26	AN4-10	.BOLT, MACHINE, AIRCRAFT.....	1	
- 27	AN960-416	.WASHER, FLAT.....	AR	
- 28	AN310-4	.NUT, PLAIN, CASTELLATED, AIRFRAME.....	1	
- 29	MS24665-132	.PIN, COTTER.....	1	
		-----*		
- 30	7C10309-7	..WELDMENT ASSEMBLY.....	1	
- 31	AN316-4R	..NUT, JAM, HEXAGON.....	2	
- 32	HF-4M	..ROD END (73134).....	2	
	HF-4MG	..ROD END (ALTERNATE FOR HF-4M) (73134).....	2	
- 33	MS24665-132	..PIN, COTTER.....	1	
- 34	7C10412-17	.SPRING.....	1	
		(ATTACHING PARTS)		
- 35	NAS1304-38D	.BOLT, SHEAR.....	1	
- 36	NAS43HT4-16	.SPACER.....	1	
- 37	AN960-416	.WASHER, FLAT.....	2	
- 38	NAS43HT4-10	.SPACER.....	1	
- 39	AN320-4	.NUT, PLAIN, CASTELLATED, SHEAR.....	1	
- 40	MS24665-132	.PIN, COTTER.....	2	
- 41	MS20392-2C11	.PIN.....	1	
- 42	AN960-10	.WASHER, FLAT.....	1	
		-----*		
- 43	7CS10103-3	..BRACKET ASSEMBLY.....	1	
		(ATTACHING PARTS)		
- 44	MS24694S103	.SCRFW, MACHINE, FLAT COUNTERSUNK HEAD.....	4	
- 45	AN960-416	.WASHER, FLAT.....	4	
- 46	MS21042L4	.NUT, SELF-LOCKING.....	4	
		-----*		
- 47	A-9	.CLAMP, HCSE (71694).....	1	
- 48	7SCF014-1	.BELLOWS, BOB WEIGHT ROD (CENTRY CO.).....	1	

GRUMMAN AMERICAN AVIATION
GA-7/COUGAR
ILLUSTRATED PARTS CATALOG



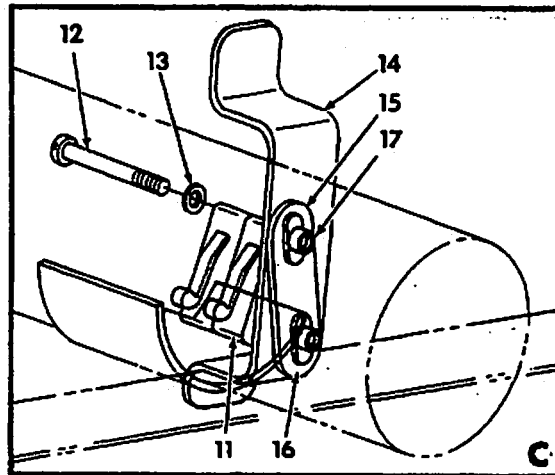
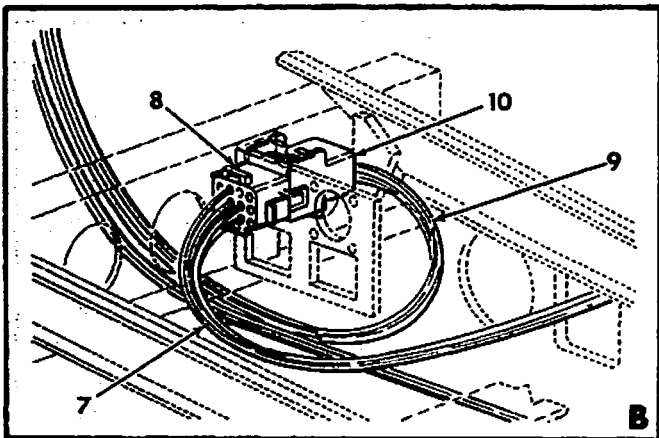
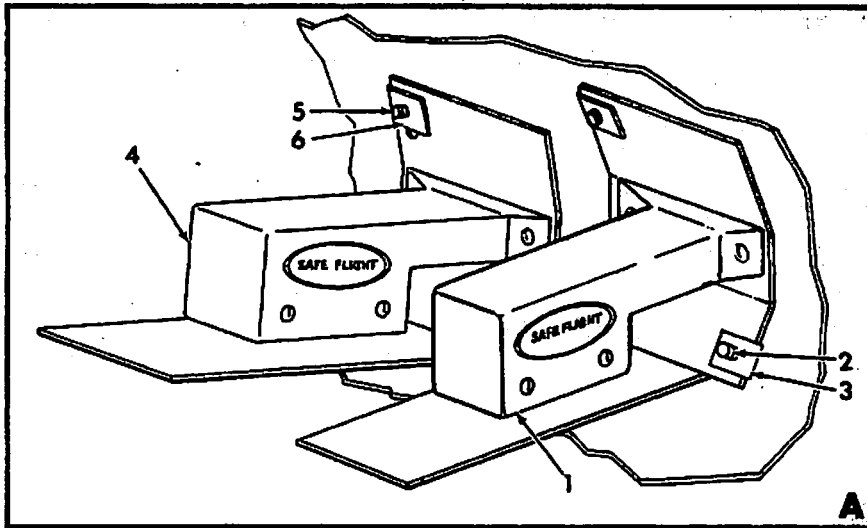
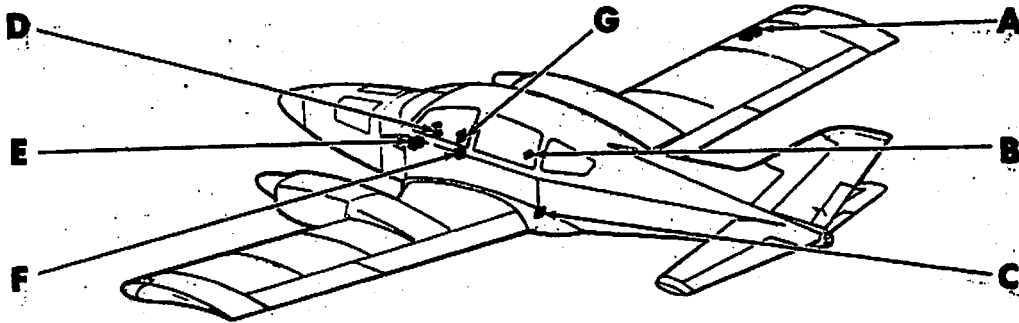
Flap Drive Electrical & Indicating System Installation
 Figure 27-14

27G74-14

GRUMMAN AMERICAN AVIATION
GA-7/COUGAR
ILLUSTRATED PARTS CATALOG

Figure & Index No.	Part Number	Nomenclature							Units Per Assy	Usable On Code
		1	2	3	4	5	6	7		
27-14 -	NO NUMBER	FLAP DRIVE ELECTRICAL AND INDICATING SYSTEM.....							NP	
- 1	1-480701-0	INSTALLATION (SEE GAAC DRAWING 7AV10103)								
- 2	7AV10103-2	CONNECTOR, CAP HOUSING (J41) (SEE FIGURE.....							1	
		27-3 FOR NHA) (00779)								
- 3	1-480710-0	CABLE ASSEMBLY (W44) (REFER TO SPECIFIC.....							1	
- 4	1-480700-0	CHAPTERS AND SYSTEMS FOR ADDITIONAL								
- 5	V3L-3-D9	COMPONENTS)								
- 6	7AV10103-1	CONNECTOR, PLUG HOUSING (P40) (00779).....							1	
- 7	1-480711-0	CONNECTOR, PLUG HOUSING (P41) (00779).....							1	
- 8	2TL95-5	SWITCH, LIMIT (FLAP UP/FLAP DOWN) (SEE.....							2	
- 9	N-1030-8	FIGURE 27-3 FOR NHA) (91929)								
- 10	AC356-1032	CABLE ASSEMBLY (W43)(REFER TO SPECIFIC.....							1	
- 11	7FP10322-9	CHAPTERS AND SYSTEMS FOR ADDITIONAL								
- 12	1600-019-150	COMPONENTS)								
- 13	7AV10101-8	CONNECTOR, CAP HOUSING (J40) (00779).....							1	
		SWITCH, LEVER (FLAP UP/FLAP DOWN) (91929).....							1	
- 14	7SCF003-1	ROOT (97539).....							1	
- 15	MS24693-27	NUT, CHECK (PALNUT).....							1	
- 16	MS21042-06	KNOB.....							1	
- 17	7SCF003-3	CIRCUIT BREAKER 15A (FLAP POSITION) (05231)....							1	
- 18	MS35206-264	CABLE ASSEMBLY (W8) (REFER TO SPECIFIC.....							1	
- 19	AN960-10	CHAPTERS AND SYSTEMS FOR ADDITIONAL								
- 20	MS21047-3	COMPONENTS)								
		INDICATOR, FLAP POSITION.....							1	
		(ATTACHING PARTS)								
		SCREW, MACHINE, FLAT COUNTERSUNK HEAD.....							2	
		NUT, SELF-LOCKING.....							2	
		TRANSMITTER, FLAP POSITION.....							1	
		(ATTACHING PARTS)								
		SCREW, MACHINE, PAN HEAD CROSS RECESSED.....							3	
		WASHER, FLAT.....							3	
		PLATE, NUT.....							3	

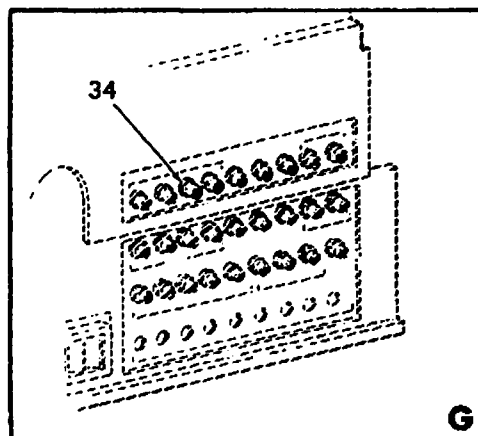
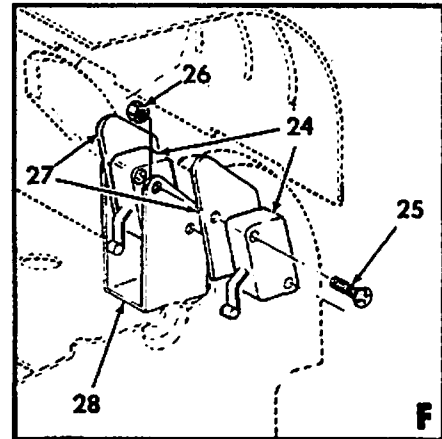
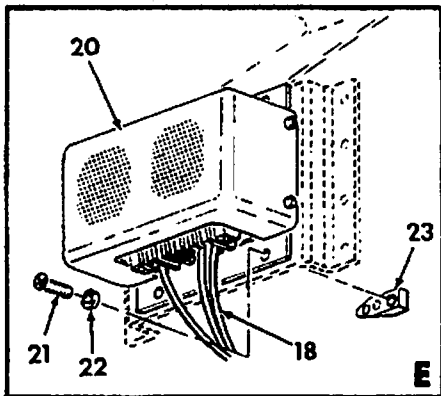
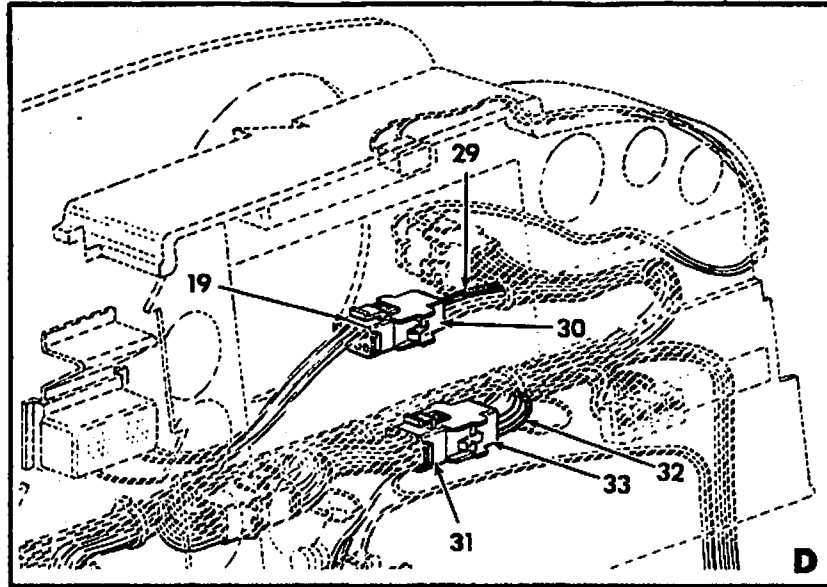
GRUMMAN AMERICAN AVIATION
GA-7/COUGAR
ILLUSTRATED PARTS CATALOG



Flap & Stall Warning System Installation
 Figure 27-15 (Sheet 1 of 2)

27G74-15-1

GRUMMAN AMERICAN AVIATION
GA-7/COUGAR
ILLUSTRATED PARTS CATALOG



Flap & Stall Warning System Installation
 Figure 27-15 (Sheet 2 of 2)

27G74-15-2

GRUMMAN AMERICAN AVIATION
GA-7/COUGAR
ILLUSTRATED PARTS CATALOG

Figure & Index No.	Part Number	Nomenclature 1 2 3 4 5 6 7	Units Per Assy	Usable On Code
27-15 -	NO NUMBER	FLAP AND STALL WARNING SYSTEM (SEE GAAC..... DRAWING 7AV10103)	MP	
- 1	901043-504	.DETECTOR ASSEMBLY, LIFT, OUTBOARD..... (ATTACHING PARTS)	1	
- 2	GAES1021Z6-6	.SCREW.....	2	
- 3	A6014-6Z-1	.NUT.....	2	
- 4	186-12	.DETECTOR ASSEMBLY, LIFT-INBOARD (83326)..... (ATTACHING PARTS)	1	
- 5	GAES1021Z6-6	.SCREW.....	2	
- 6	C6014-6Z-1	.NUT.....	2	
- 7	7AV10102-6	.CABLE ASSEMBLY (W39) (REFER TO SPECIFIC..... CHAPTERS AND SYSTEMS FOR ADDITIONAL COMPONENTS)	1	
- 8	1-480704-0	.CONNECTOR, PLUG HOUSING (P33) (00779).....	1	
- 9	7AV10102-5	.CABLE ASSEMBLY (W38) (REFER TO SPECIFIC..... CHAPTERS AND SYSTEMS FOR ADDITIONAL COMPONENTS)	1	
- 10	1-480705-0	.CONNECTOR, CAP HOUSING (J33) (00779).....	1	
- 11	V3L-3-D9	.SWITCH, LIMIT (FLAP POSITION STALL WARNING-..... INBOARD AND FLAP WARNING-OUTBOARD) (91929) (ATTACHING PARTS)	2	
- 12	MS35206-221	.SCREW, MACHINE-PAN HEAD, CROSS RECESSED.....	2	
- 13	AN960-4L	.WASHER, FLAT.....	2	
- 14	7F10915-23	.BRACKET.....	1	
- 15	7F10915-1	.PLATE ASSEMBLY, NUT.....	1	
- 16	7F10915-25	.PLATE.....	1	
- 17	MS21069L04	.PLATE, NUT.....	2	
- 18	7AV10110-15	.CABLE ASSEMBLY (W50) (REFER TO SPECIFIC..... CHAPTERS AND SYSTEMS FOR ADDITIONAL COMPONENTS)	1	
- 19	1-480704-0	.CONNECTORS, PLUG HOUSING (P46) (00779).....	1	
- 20	289	.WARNING UNIT, DUAL (83326)..... (ATTACHING PARTS)	1	
- 21	MS35207-262	.SCREW, MACHINE-PAN HEAD CROSS RECESSED.....	4	
- 22	MS35338-43	.WASHER, LOCK-SPRING.....	4	
- 23	MS21061-08	.PLATE, NUT.....	4	
- 24	V3L-3-D9	.SWITCH, LIMIT (LEFT AND RIGHT THROTTLE)..... (91929) (ATTACHING PARTS)	2	
- 25	MS35206-217	.SCREW, MACHINE-PAN HEAD, CROSS RECESSED.....	2	
- 26	MS21042-04	.NUT, SELF-LOCKING.....	2	
- 27	7F10700-21	.INSULATOR, PHENOLIC.....	2	
- 28	7F10332-15	.BRACKET.....	1	
- 29	7AV10110-17	.CABLE ASSEMBLY (W31) (REFER TO SPECIFIC..... CHAPTERS AND SYSTEMS FOR ADDITIONAL COMPONENTS)	1	
- 30	1-480705-0	.CONNECTOR, CAP HOUSING (J46) (00779).....	1	
- 31	1-480706-0	.CONNECTOR, PLUG HOUSING (P28) (00779).....	1	
- 32	7AV10110-8	.CABLE ASSEMBLY (W29) (REFER TO SPECIFIC..... CHAPTERS AND SYSTEMS FOR ADDITIONAL COMPONENTS)	1	
- 33	1-480707-0	.CONNECTOR, CAP HOUSING (J28) (00779).....	1	
- 34	1600-019-050	.CIRCUIT BREAKER 5A (STALL WARNING) (05231).....	1	

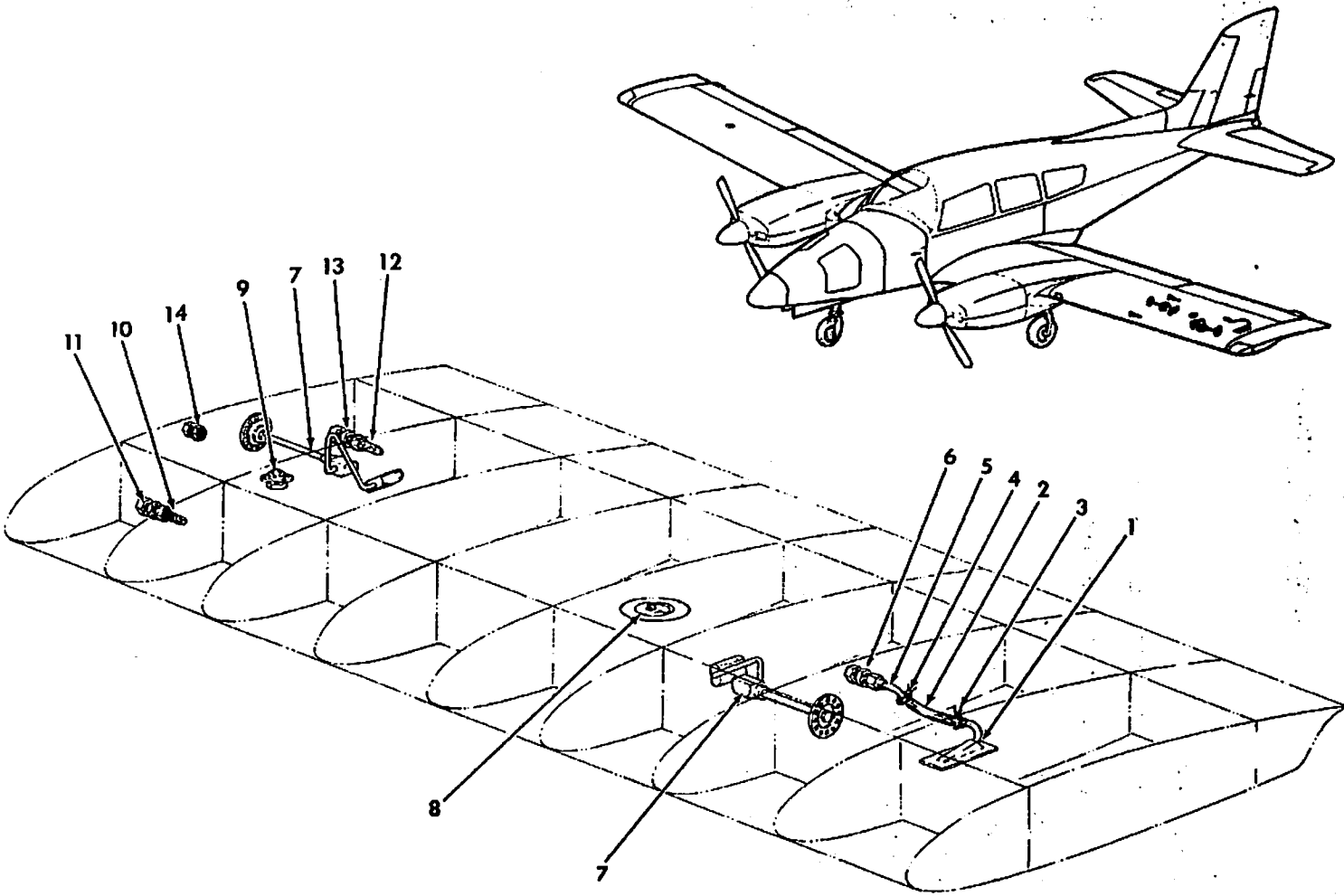
GRUMMAN AMERICAN AVIATION
GA-7/COUGAR
ILLUSTRATED PARTS CATALOG

CHAPTER 28

FUEL

TABLE OF CONTENTS

<u>SUBJECT</u>	<u>FIGURE NUMBER</u>
FUEL TANK INSTALLATION	28-1
RIGHT WING FUEL DISTRIBUTION INSTALLATION	28-2
LEFT WING FUEL DISTRIBUTION INSTALLATION	28-3
CROSS-OVER LINES INSTALLATION	28-4
SUMP TANK ASSEMBLY INSTALLATION	28-5
FUEL TRANSFER PUMP INSTALLATION	28-6
FUEL SELECTOR VALVE INSTALLATION	28-7
FUEL PRIMER SOLENOID INSTALLATION	28-8
FUEL QUANTITY INDICATOR INSTALLATION	28-9
FUEL ELECTRICAL INSTALLATION	28-10



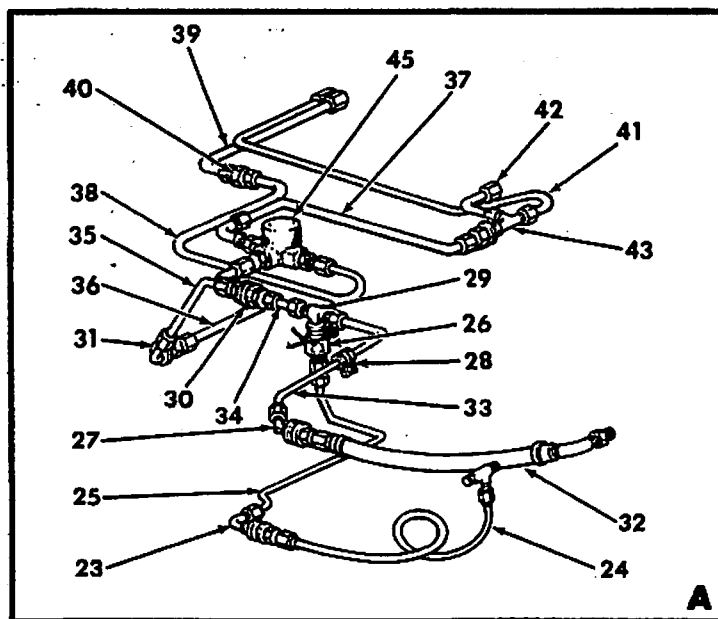
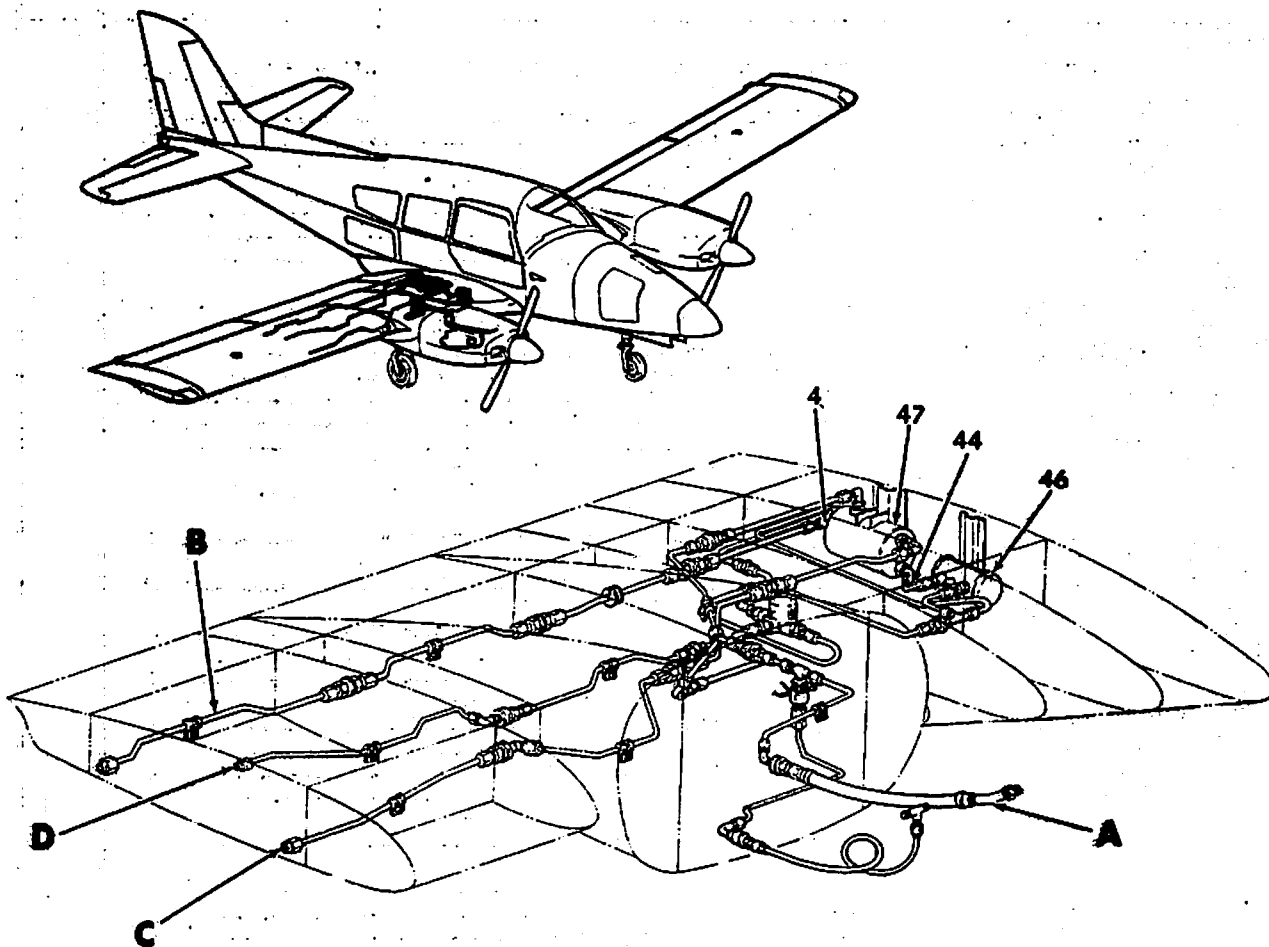
Fuel Tank Installation
Figure 28-1

28G74-01

GRUMMAN AMERICAN AVIATION
GA-7/COUGAR
ILLUSTRATED PARTS CATALOG

Figure & Index No.	Part Number	Nomenclature 1 2 3 4 5 6 7	Units Per Assy	Usable On Code
2A- 1 -	NO NUMBER	FUEL TANK INSTALLATION (REFER TO CHAPTER 57..... FOR ACCESS COVERS)	NF	
- 1	5401127-503	.VENT ASSEMBLY (LH WING).....	RF	
- 2	5401127-504 7W10400-11	.VENT ASSEMBLY (RH WING)..... .TUBE, VENT.....	RF 2	
		(ATTACHING PARTS)		
- 3	A-8	.CLAMP, HCSE.....	1	
- 4	A-6 5200003-16	.CLAMP, HCSE..... .SPACER.....	1 1	
- 5	7W10400-15	.TUBE, VENT.....	2	
		(ATTACHING PARTS)		
- 6	AN818-4D MS20819-4 AN924-4D 82175-1 AN815-4D	.NUT, COUPLING..... .SLEEVE, COUPLING..... .NUT (INSIDE TANK)..... .LOCK-O-SEAL (UNDER AN924-4D)..... .UNION.....	1 1 1 1 1	
- 7	7SCF018-1 7SCF017-1	.SENDER, FUEL LEVEL (OUTBOARD) (REFER TO..... FIGURE 28-9 FOR NHA) .SENDER, FUEL LEVEL (INBOARD) (REFER TO..... FIGURE 28-9 FOR NHA)	2 2	
- 8	416-612	.CAP AND ADAPTER ASSEMBLY (99321) (REFER TO..... CHAPTER 57 FOR NHA)	2	
- 9	F391-53S	.VALVE, DRAIN (26580) (REFER TO CHAPTER 57..... FOR NHA)	2	
- 10	401136-501	.STRAINER ASSEMBLY.....	2	
		(ATTACHING PARTS)		
- 11	AN818-6D AN924-6D 82175-2 AN832-6D	.NUT, COUPLING..... .NUT (INSIDE TANK)..... .LOCK-O-SEAL (UNDER AN924-6D)..... .UNION.....	1 1 1 1	
- 12	5401113-501	.STRAINER ASSEMBLY.....	2	
		(ATTACHING PARTS)		
- 13	AN818-8D AN924-8D MS29512-08 AN832-8D	.NUT, COUPLING..... .NUT (INSIDE TANK)..... .O-RING (UNDER AN924-8D)..... .UNION.....	1 1 1 1	
- 14	AN924-4D 82175-1 AN815-4D	.NUT (INSIDE TANK)..... .LOCK-O-SEAL..... .UNION.....	2 2 2	

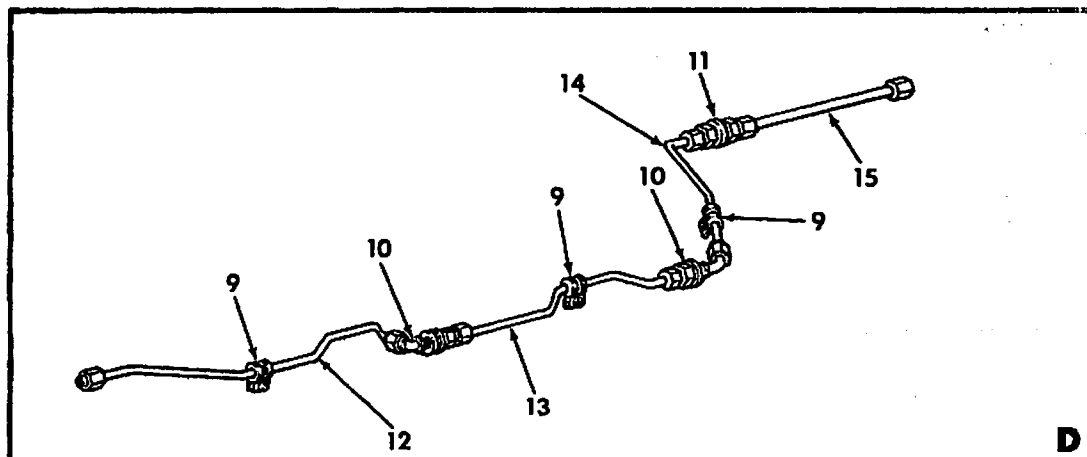
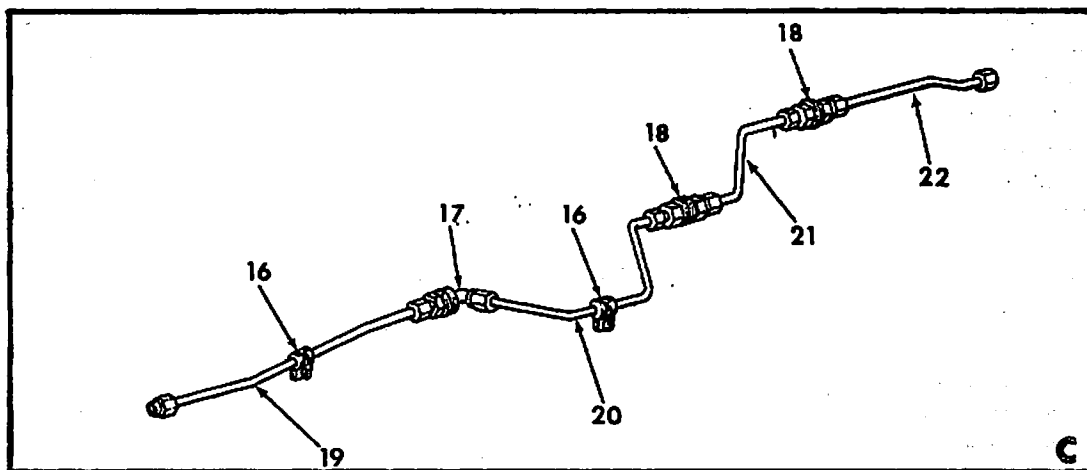
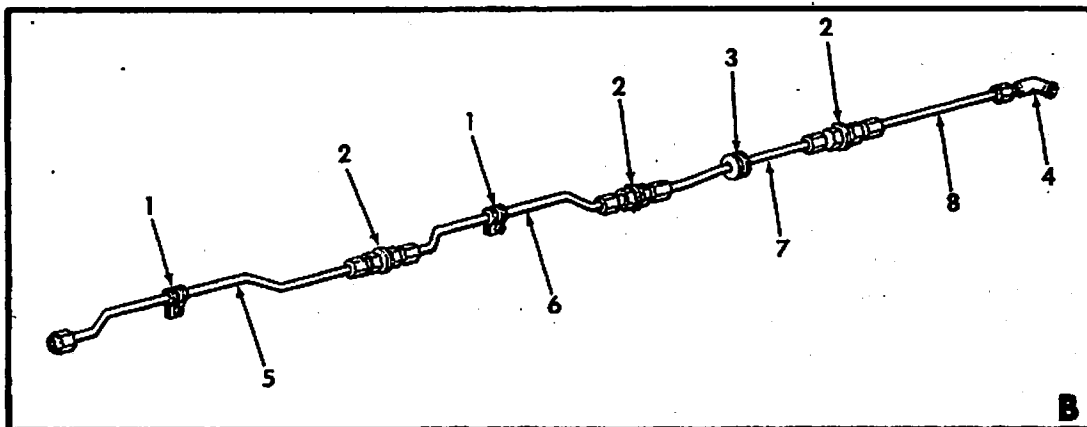
GRUMMAN AMERICAN AVIATION
GA-7/COUGAR
ILLUSTRATED PARTS CATALOG



Right Wing Fuel Distribution Installation
 Figure 28-2 (Sheet 1 of 2)

28074-02-1

GRUMMAN AMERICAN AVIATION
GA-7/COUGAR
ILLUSTRATED PARTS CATALOG



Right Wing Fuel Distribution Installation
 Figure 28-2 (Sheet 2 of 2)

28G74-02-2

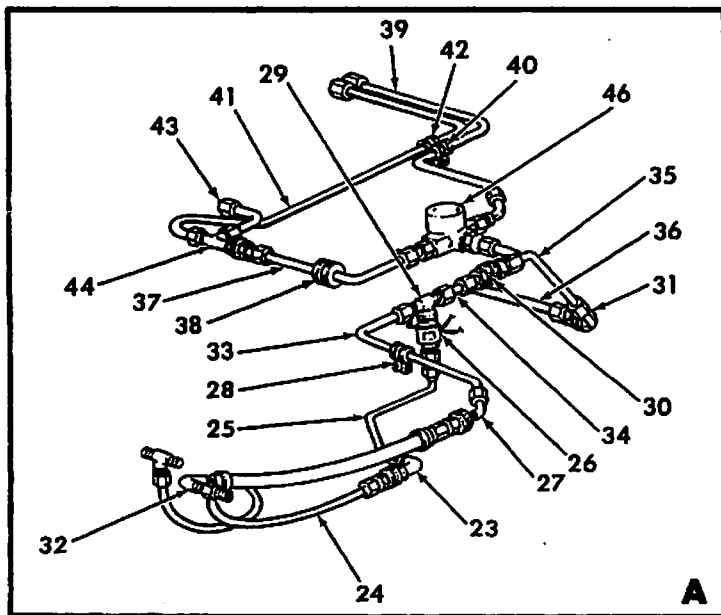
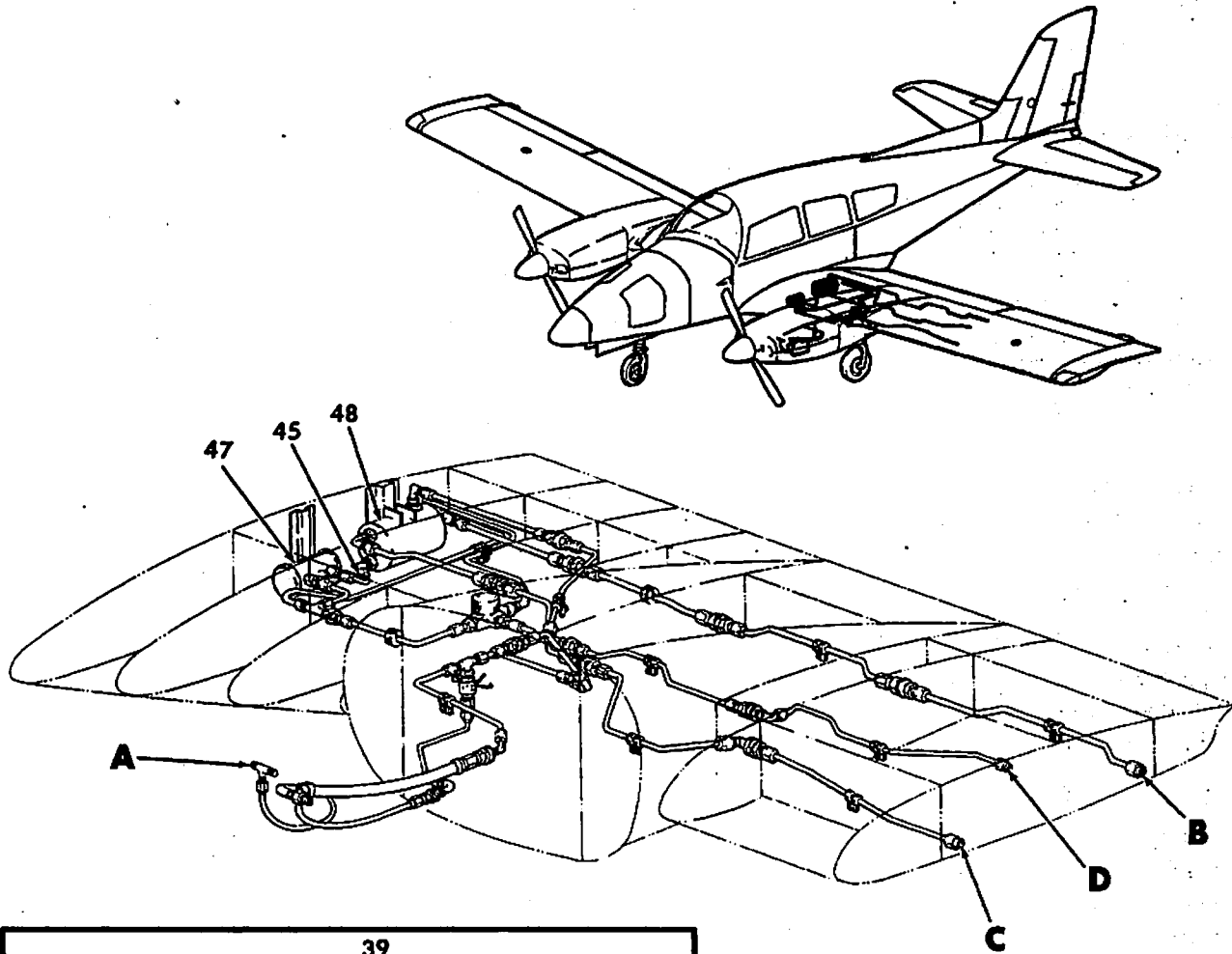
GRUMMAN AMERICAN AVIATION
GA-7/COUGAR
ILLUSTRATED PARTS CATALOG

Figure & Index No.	Part Number	Nomenclature 1 2 3 4 5 6 7	Units Per Assy	Usable On Code
28- 2 -	NO NUMBER	RIGHT WING FUEL DISTRIBUTION INSTALLATION.....	NP	
	NO NUMBER	.AFT SUPPLY LINE ASSEMBLY.....	NP	
		(ATTACHING PARTS)		
- 1	MS21919WDG8	.CLAMP.....	2	
	MS35207-261	.SCREW.....	2	
	AN960D10L	.WASHER.....	2	
- 2	AN832-8D	.FITTING,BULKHEAD.....	3	
	AN924-8D	.NUT.....	3	
	AN960D1216	.WASHER.....	3	
- 3	MS35489-155	.GROMMET.....	1	
- 4	AN924-8D	.NUT.....	1	
	MS29512-08	.O-RING.....	1	
	AN833-8D	.ELBOW.....	1	
- 5	7P11001-050RWASL-8	.TUBE ASSEMBLY.....	1	
- 6	7P11001-052RWASL-8	.TUBE ASSEMBLY.....	1	
- 7	7P11001-054RWASL-8	.TUBE ASSEMBLY.....	1	
- 8	7P11001-056RWASL-8	.TUBE ASSEMBLY.....	1	
	NO NUMBER	.VENT LINE ASSEMBLY.....	NP	
		(ATTACHING PARTS)		
- 9	MS21919WDG4	.CLAMP.....	3	
	MS35207-261	.SCREW.....	3	
	AN960D10L	.WASHER.....	3	
- 10	AN837-4D	.ELBOW,BULKHEAD.....	2	
	AN924-4D	.NUT.....	2	
	AN960D716	.WASHER.....	4	
- 11	AN832-4D	.FITTING,BULKHEAD.....	1	
	AN924-4D	.NUT.....	1	
	AN960D716	.WASHER.....	1	
- 12	7P11001-026RWVVL-4	.TUBE ASSEMBLY.....	1	
- 13	7P11001-028RWVVL-4	.TUBE ASSEMBLY.....	1	
- 14	7P11001-030RWVVL-4	.TUBE ASSEMBLY.....	1	
- 15	7P11001-032RWVVL-4	.TUBE ASSEMBLY.....	1	
	NO NUMBER	.FORWARD SUPPLY LINE ASSEMBLY.....	NP	
		(ATTACHING PARTS)		
- 16	MS21919WDG6	.CLAMP.....	2	
	MS35207-261	.NUT.....	2	
	AN960D10L	.WASHER.....	2	
- 17	AN837-6D	.ELBOW,BULKHEAD.....	1	
	AN924-6D	.NUT.....	1	
	AN960D916	.WASHER.....	2	
- 18	AN832-6D	.FITTING,BULKHEAD.....	2	
	AN924-6D	.NUT.....	2	
	AN960D916	.WASHER.....	2	
- 19	7P11001-016RWFSL-6	.TUBE ASSEMBLY.....	1	
- 20	7P11001-018RWFSL-6	.TUBE ASSEMBLY.....	1	
- 21	7P11001-020RWFSL-6	.TUBE ASSEMBLY.....	1	
- 22	7P11001-022RWFSL-6	.TUBE ASSEMBLY.....	1	
	NO NUMBER	.ENGINE PRIMER LINE ASSEMBLY.....	NP	
		(ATTACHING PARTS)		
- 23	AN833-2	.ELBOW.....	1	
	AN924-2	.NUT.....	1	
	AN960-516	.WASHER.....	1	
- 24	7P11004-1	.TUBE ASSEMBLY, ENGINE PRIMER.....	1	
- 25	7P11001-060REPL-2	.TUBE ASSEMBLY.....	1	
- 26	44045	.SOLENOID, FUEL PRIMER (17324) SEE FIGURE..... 28-8 FOR INSTALLATION)	1	

GRUMMAN AMERICAN AVIATION
GA-7/COUGAR
ILLUSTRATED PARTS CATALOG

Figure & Index No.	Part Number	Nomenclature							Units Per Assy	Usable On Code
		1	2	3	4	5	6	7		
28- 2 - 27	NO NUMBER	.ENGINE FUEL LINE ASSEMBLY.....							NP	
		(ATTACHING PARTS)								
	AN832-6D	.FITTING,BULKHEAD.....							1	
- 28	AN924-6D	.NUT.....							1	
	AN960-916	.WASHER.....							2	
	MS21919W066	.CLAMP.....							1	
- 29	MS35207-261	.SCREW.....							1	
- 30	AN960D10L	.WASHER.....							1	
	MS20825-6D	.TEE.....							1	
	AN837-6D	.ELBOW,BULKHEAD.....							1	
- 31	AN924-6D	.NUT.....							1	
	AN960PP916	.WASHER.....							2	
	AN833-6D	.ELBOW,BULKHEAD.....							1	
	AN924-6D	.NUT.....							1	
- 32	AN960D916	.WASHER.....							2	
- 33										
- 34	GAES1325-9-0155F	..HOSE ASSEMBLY,FUEL LINE.....							1	
- 35	7P11001-059RWEFL-6	..TUBE ASSEMBLY.....							1	
- 36	7P11001-058RWEFL-6	..TUBE ASSEMBLY.....							1	
- 37	7P11001-040RWEFL-6	..TUBE ASSEMBLY.....							1	
- 38	7P11001-006RWEFL-6	..TUBE ASSEMBLY.....							1	
- 39	7P11001-004RWNFL-6	..TUBE ASSEMBLY.....							1	
- 40	7P11001-039RCFL-6	..TUBE ASSEMBLY.....							1	
- 41	7P11001-038RCFL-6	..TUBE ASSEMBLY.....							1	
- 42	AN815-6D	.UNION.....							1	
- 43	7P11001-034RCFL-6	..TUBE ASSEMBLY.....							1	
- 44	7P11001-002RPD-6	..TUBE ASSEMBLY.....							1	
- 45	AN804D6	.TEE.....							1	
	7P11001-024RCFL-6	..TUBE ASSEMBLY.....							1	
- 46	7SCF011-1	.VALVE,FUEL SELECTOR (SEE FIGURE 28-7 FOR.....							1	
		INSTALLATION)								
- 47	7SCF013-1	.PUMP,ELECTRIC FUEL (SEE FIGURE 28-6 FOR.....							1	
		INSTALLATION AND BREAKDOWN)								
	7P11003-1	.TANK ASSEMBLY,SUMP (SEE FIGURE 28-5 FOR.....							1	
		INSTALLATION AND BREAKDOWN)								

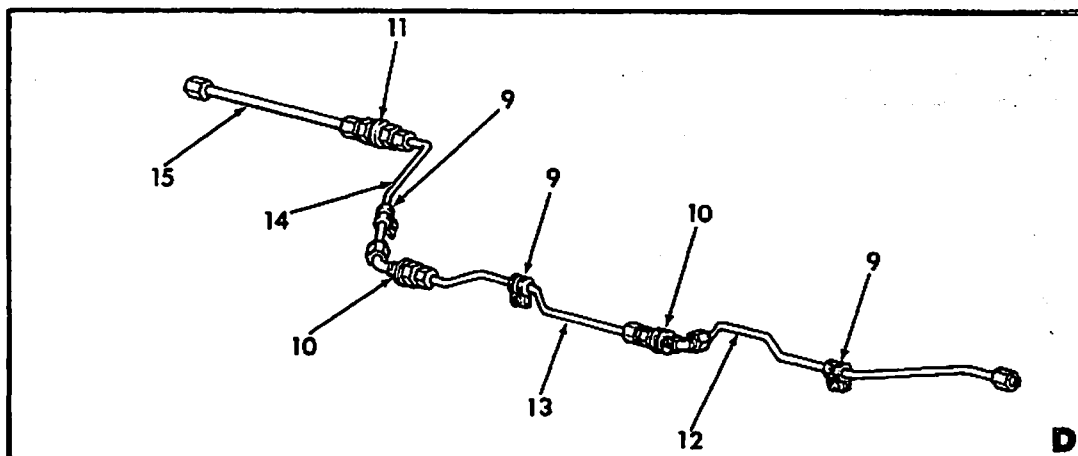
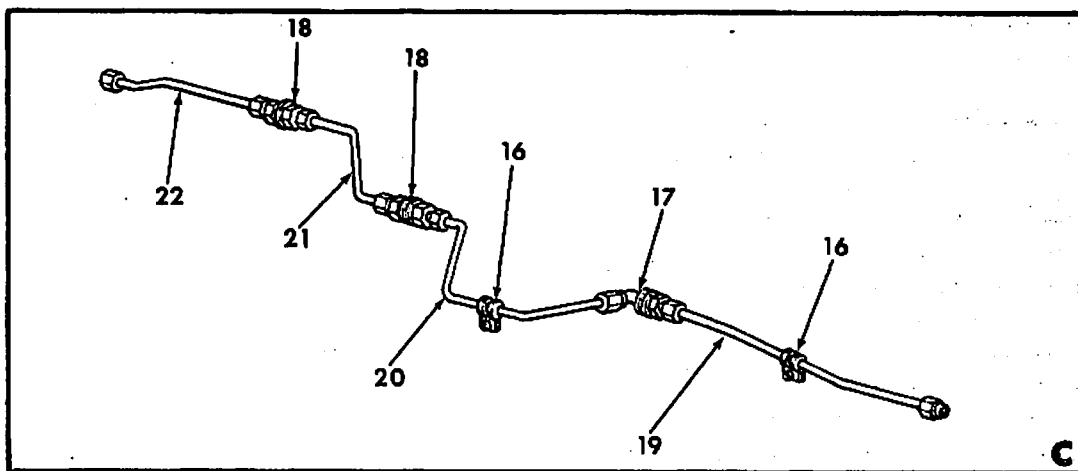
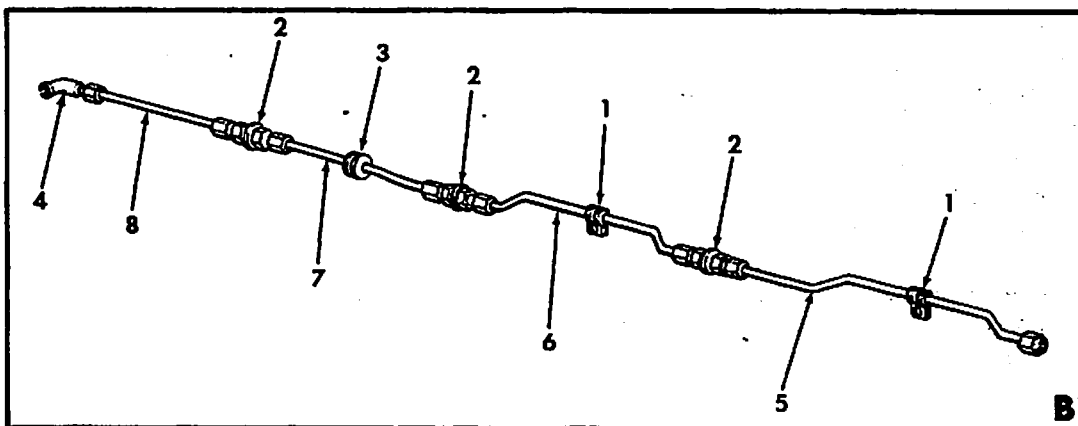
GRUMMAN AMERICAN AVIATION
GA-7/COUGAR
ILLUSTRATED PARTS CATALOG



Left Wing Fuel Distribution Installation
 Figure 28-3 (Sheet 1 of 2)

28G74-03-1

GRUMMAN AMERICAN AVIATION
GA-7/COUGAR
ILLUSTRATED PARTS CATALOG



Left Wing Fuel Distribution Installation
 Figure 28-3 (Sheet 2 of 2)

28G74-03-2

GRUMMAN AMERICAN AVIATION
GA-7/COUGAR
ILLUSTRATED PARTS CATALOG

Figure & Index No.	Part Number	Nomenclature						Units Per Assy	Usable On Code
		1	2	3	4	5	6		
28- 3 -	NO NUMBER NO NUMBER	LEFT WING FUEL DISTRIBUTION INSTALLATION.....						NP	
		AFT SUPPLY LINE ASSEMBLY.....						NP	
		(ATTACHING PARTS)							
- 1	MS21919WDG8	.CLAMP.....						2	
	MS35207-261	.SCREW.....						2	
	AN960D10L	.WASHER.....						2	
- 2	AN832-8D	.FITTING, BULKHEAD.....						3	
	AN924-8D	.NUT.....						3	
	AN960D1216	.WASHER.....						3	
- 3	MS35489-41S	.GROMMET.....						1	
- 4	AN924-8D	.NUT.....						1	
	MS29512-08	.O-RING.....						1	
	AN833-8D	.ELBOW.....						1	
		-----*							
- 5	7P11001-051LWASL-8	..TUBE ASSEMBLY.....						1	
- 6	7P11001-053LWASL-8	..TUBE ASSEMBLY.....						1	
- 7	7P11001-055LWASL-8	..TUBE ASSEMBLY.....						1	
- 8	7P11001-057LWASL-8	..TUBE ASSEMBLY.....						1	
	NO NUMBER	.VENT LINE ASSEMBLY.....						NP	
		(ATTACHING PARTS)							
- 9	MS21919WDG4	.CLAMP.....						3	
	MS35207-261	.SCREW.....						3	
	AN960D10L	.WASHER.....						3	
- 10	AN837-4D	.ELBOW, BULKHEAD.....						2	
	AN924-4D	.NUT.....						2	
	AN960D716	.WASHER.....						4	
- 11	AN832-4D	.FITTING, BULKHEAD.....						1	
	AN924-4D	.NUT.....						1	
	AN960D716	.WASHER.....						1	
		-----*							
- 12	7P11001-025LWQVL-4	..TUBE ASSEMBLY.....						1	
- 13	7P11001-027LWQVL-4	..TUBE ASSEMBLY.....						1	
- 14	7P11001-029LWVL-4	..TUBE ASSEMBLY.....						1	
- 15	7P11001-031LWVL-4	..TUBE ASSEMBLY.....						1	
	NO NUMBER	.FORWARD SUPPLY LINE ASSEMBLY.....						NP	
		(ATTACHING PARTS)							
- 16	MS21919WDG6	.CLAMP.....						2	
	MS35207-261	.NUT.....						2	
	AN960D10L	.WASHER.....						2	
- 17	AN837-6D	.ELBOW, BULKHEAD.....						1	
	AN924-6D	.NUT.....						1	
	AN960D916	.WASHER.....						2	
- 18	AN832-6D	.FITTING, BULKHEAD.....						2	
	AN924-6D	.NUT.....						2	
	AN960D916	.WASHER.....						2	
		-----*							
- 19	7P11001-015LWFSL-6	..TUBE ASSEMBLY.....						1	
- 20	7P11001-017LWFSL-6	..TUBE ASSEMBLY.....						1	
- 21	7P11001-019LWFSL-6	..TUBE ASSEMBLY.....						1	
- 22	7P11001-021LWFSL-6	..TUBE ASSEMBLY.....						1	
	NO NUMBER	.ENGINE PRIMER LINE ASSEMBLY.....						NP	
		(ATTACHING PARTS)							
- 23	AN833-2	.ELBOW.....						1	
	AN924-2	.NUT.....						1	
	AN960-516	.WASHER.....						1	
		-----*							
- 24	7P11004-1	..TUBE ASSEMBLY, ENGINE PRIMER.....						1	
- 25	7P11001-047LEPL-2	..TUBE ASSEMBLY.....						1	
- 26	44045	.VALVE, PRIMER (17324) (SEE FIGURE 28-8 FOR INSTALLATION)						1	

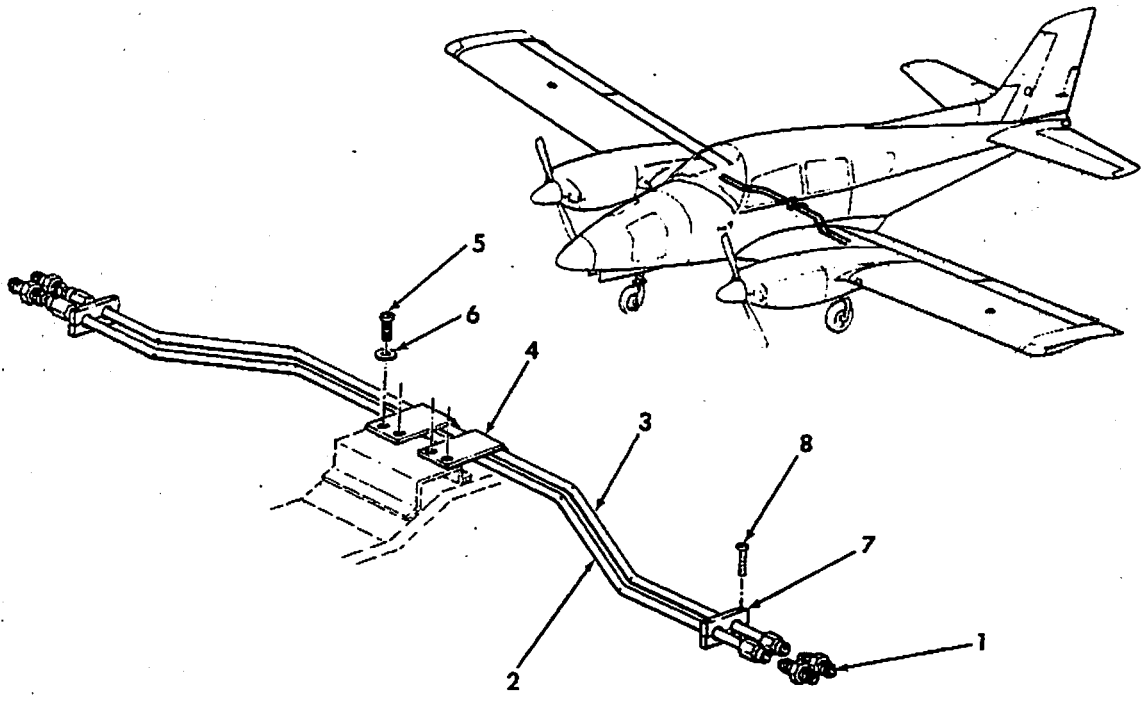
GRUMMAN AMERICAN AVIATION

GA-7/COUGAR

ILLUSTRATED PARTS CATALOG

Figure & Index No.	Part Number	Nomenclature	Units Per Assy	Usable On Code
28- 3	NO NUMBER	.ENGINE FUEL LINE ASSEMBLY..... (ATTACHING PARTS)	NP	
- 27	AN837-6D	.ELBOW, BULKHEAD.....	1	
	AN924-6D	.NUT.....	1	
	AN960-916	.WASHER.....	2	
- 28	MS21919WDG6	.CLAMP.....	1	
	MS352J7-261	.SCREW.....	1	
	AN960D10L	.WASHFR.....	1	
- 29	MS20825-6D	.TEE.....	1	
- 30	AN832-6D	.FITTING, BULKHEAD.....	1	
	AN924-6D	.NUT.....	1	
	AN960PD916	.WASHER.....	2	
- 31	AN833-6D	.ELBOW, BULKHEAD.....	1	
	AN924-6D	.NUT.....	1	
	AN960D916	.WASHER.....	2	
- 32	GAES1325-9-D155F	.HOSE ASSEMBLY, FUEL LINE.....	1	
- 33	7P11001-045LWEFL-6	.TUBE ASSEMBLY.....	1	
- 34	7P11001-043LWEFL-6	.TUBE ASSEMBLY.....	1	
- 35	7P11001-041LWEFL-6	.TUBE ASSEMBLY.....	1	
- 36	7P11001-005LWFFL-6	.TUBE ASSEMBLY.....	1	
- 37	7P11001-003LWNFL-6	.TUBE ASSEMBLY.....	1	
- 38	MS35439-41S	.FROMET.....	1	
- 39	7P11001-037LCFL-6	.TUBE ASSEMBLY..... (ATTACHING PARTS)	1	
- 40	MS21919WDG6	.CLAMP.....	1	
	MS35207-261	.SCREW.....	1	
	AN960D10L	.WASHER.....	1	
	MS21042D3	.NUT.....	1	
- 41	7P11001-033LCFL-6	.TUBE ASSEMBLY..... (ATTACHING PARTS)	1	
- 42	MS21919WDG6	.CLAMP.....	1	
- 43	7P11001-001LPD-6	.TUBE ASSEMBLY.....	1	
- 44	AN80406	.TEE.....	1	
	AN960D916	.WASHER.....	2	
	AN924-6D	.NUT.....	1	
- 45	7P11001-023LWPS-6	.TUBE ASSEMBLY.....	1	
- 46	7SCF011-1	.VALVE, FUEL SELECTOR (SEE FIGURE 28-7 FOR INSTALLATION)	1	
- 47	7SCF013-1	.PUMP, ELECTRIC FUEL (SEE FIGURE 28-6 FOR INSTALLATION AND BREAKDOWN)	1	
- 48	7P11003-1	.TANK ASSEMBLY, SUMP (SEE FIGURE 28-5 FOR INSTALLATION AND BREAKDOWN)	1	

GRUMMAN AMERICAN AVIATION
GA-7/COUGAR
ILLUSTRATED PARTS CATALOG



Cross-Over Lines Installation
Figure 28-4

28G74-04

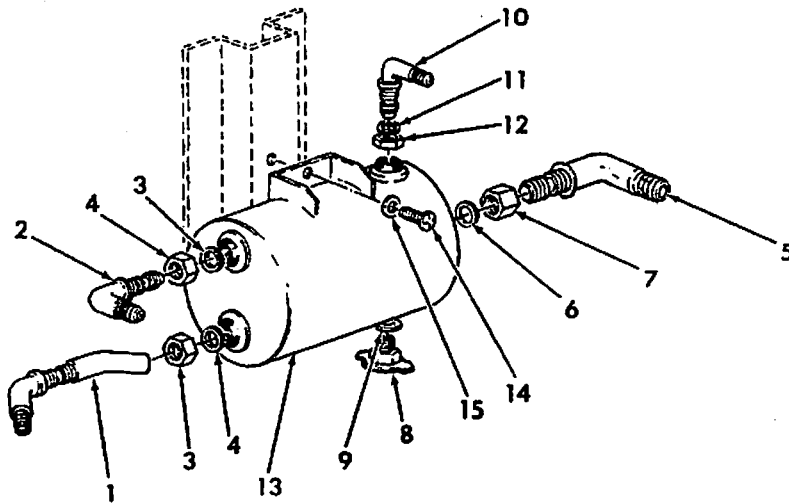
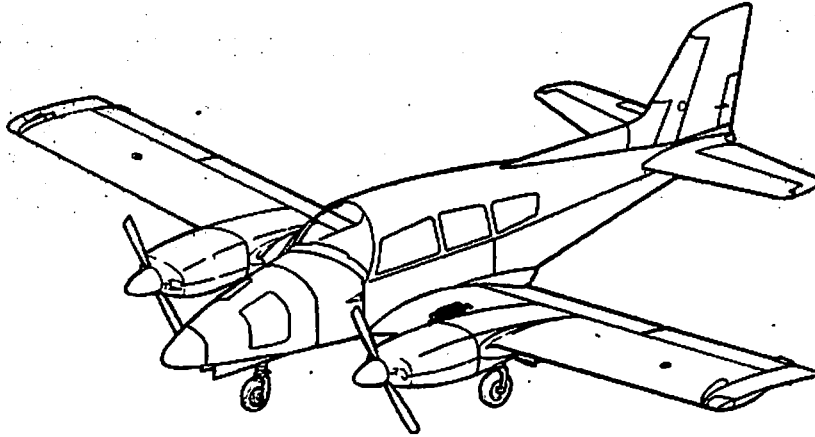
GRUMMAN AMERICAN AVIATION

GA-7/COUGAR

ILLUSTRATED PARTS CATALOG

Figure & Index No.	Part Number	Nomenclature 1 2 3 4 5 6 7	Units Per Assy	Usable On Code
28- 4 - - 1 - 2 - 3 - 4 - 5 - 6 - 7 - 8	NO NUMBER AN815-6D 7P11001-035FCFL-6 7P11001-036ACFL-6 7P10910-11 MS35207-262 AN960-10L 7FP10329-19 MS35206-251	CROSS-OVER LINES INSTALLATION..... .UNION..... .TUBE ASSEMBLY..... .TUBE ASSEMBLY..... (ATTACHING PARTS FOR ITEMS 2 AND 3) .CLAMP..... .SCREW..... .WASHER..... .CLAMP HALF..... .SCREW.....	NP 4 1 1 2 4 4 4 4	

GRUMMAN AMERICAN AVIATION
GA-7/COUGAR
ILLUSTRATED PARTS CATALOG



Sump Tank Assembly Installation
Figure 28-5

28G74-05

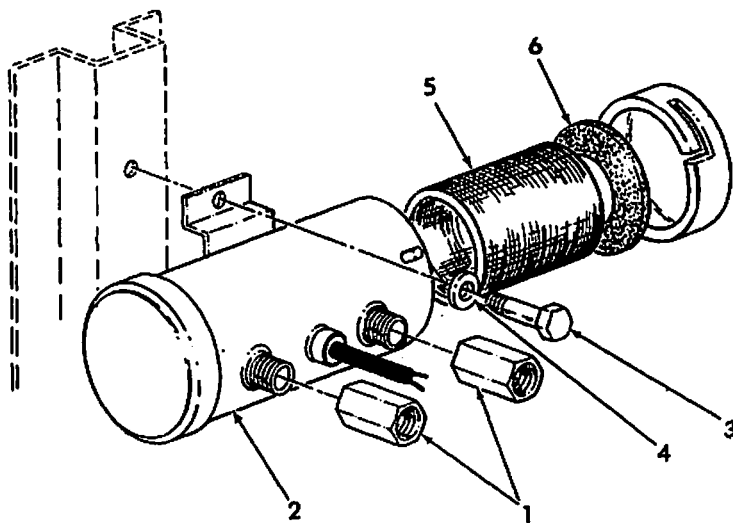
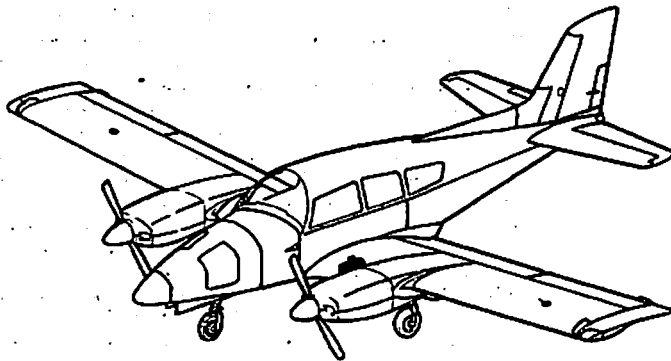
GRUMMAN AMERICAN AVIATION

GA-7/COUGAR

ILLUSTRATED PARTS CATALOG

Figure & Index No.	Part Number	Nomenclature							Units Per Assy	Usable On Code
		1	2	3	4	5	6	7		
28- 5 -	NO NUMBER	SUMP TANK ASSEMBLY INSTALLATION (SEE FIGURES.... 28-2 AND 28-3 FOR NHA)							NP	
- 1	7P11006-1	.FITTING (USE ON LEFT WING SUMP TANK ONLY).....							1	
- 2	7P11006-2	.FITTING (USE ON RIGHT WING SUMP TANK ONLY).....							1	
- 3	AN833-6D	.ELBOW.....							1	
- 4	MS29512-06	.O-RING.....							1	
- 5	AN924-6D	.NUT.....							1	
- 6	ANB33-8D	.ELBOW.....							1	
- 7	MS29512-08	.O-RING.....							1	
- 8	AN924-8D	.NUT.....							1	
- 9	MS29528-4	.VALVE, DRAIN.....							1	
- 10	MS29512-04	.O-RING.....							1	
- 11	AN833-4D	.ELBOW.....							1	
- 12	MS29512-04	.O-RING.....							1	
- 13	AN924-4D	.NUT.....							1	
- 14	7P11003-1	.TANK ASSEMBLY, SUMP.....							1	
		(ATTACHING PARTS)								
- 15	AN3-3A	.SCRFW.....							2	
- 16	AN960-10L	.WASHFR.....							2	
		-----*								

GRUMMAN AMERICAN AVIATION
GA-7/COUGAR
ILLUSTRATED PARTS CATALOG



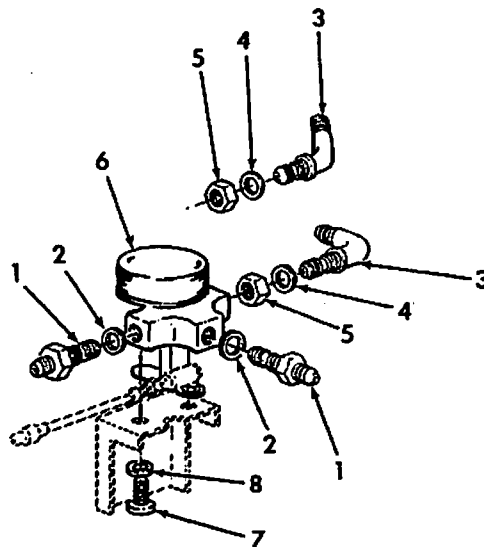
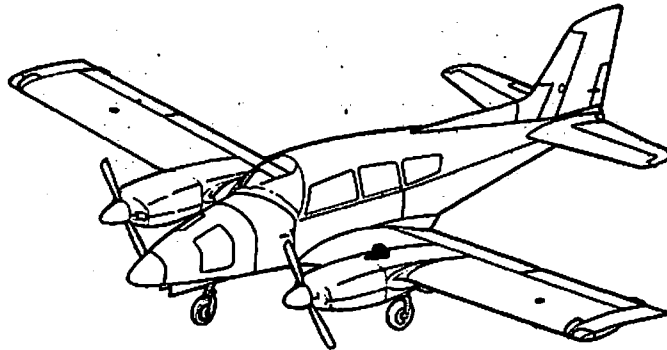
Fuel Transfer Pump Installation
Figure 28-6

28G74-06

GRUMMAN AMERICAN AVIATION
GA-7/COUGAR
ILLUSTRATED PARTS CATALOG

Figure & Index No.	Part Number	Nomenclature							Units Per Assy	Usable On Code
		1	2	3	4	5	6	7		
28- 6 -	NO NUMBER	FUEL TRANSFER PUMP INSTALLATION (SEE FIGURES.... 28-2 AND 28-3 FOR NHA)							NP	
- 1	A1100-6CA0	.FITTING (986E0).....							2	
- 2	7SCF013-1	.PUMP,ELECTRIC FUEL..... (ATTACHING PARTS)							2	
- 3	AN4-3A	.SCREW.....							2	
- 4	AN960-416L	.WASHER.....							2	
- 5	479729	..FILTER (FACET ENTERPRISES INC).....							1	
- 6	479136	..GASKET (FACET ENTERPRISES INC).....							1	

GRUMMAN AMERICAN AVIATION
GA-7/COUGAR
ILLUSTRATED PARTS CATALOG



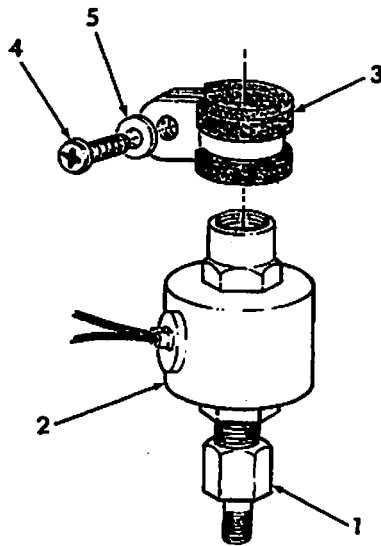
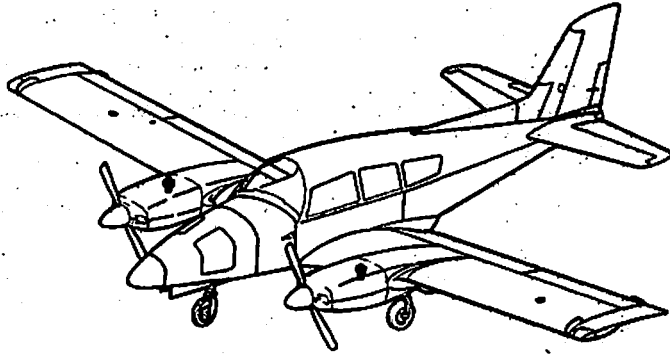
Fuel Selector Valve Installation
Figure 28-7

28G74-07

GRUMMAN AMERICAN AVIATION
GA-7/COUGAR
ILLUSTRATED PARTS CATALOG

Figure & Index No.	Part Number	Nomenclature							Units Per Assy	Usable On Code
		1	2	3	4	5	6	7		
28- 7 -	NO NUMBER	FUEL SELECTOR VALVE INSTALLATION (SEE..... FIGURES 28-2 AND 28-3 FOR NHA)							NP	
- 1	AN815-6D	.UNION.....							1	
- 2	MS29512-06	.O-RING.....							1	
- 3	AN837-6D	.ELBOW (USE ON LEFT WING VALVE ONLY).....							1	
	AN833-6D	.ELBOW (USE ON RIGHT WING VALVE ONLY).....							1	
- 4	MS29512-06	.D-RING.....							1	
- 5	AN924-6D	.NUT.....							1	
- 6	A980-5	.VALVE, FUEL SELECTOR (31720)..... (ATTACHING PARTS)							1	
- 7	AN502-10-6	.SCREW.....							2	
- 8	AN960D10L	.WASHER.....							2	
	MS20995C20	.WIRE, SAFETY.....							AR	

GRUMMAN AMERICAN AVIATION
GA-7/COUGAR
ILLUSTRATED PARTS CATALOG



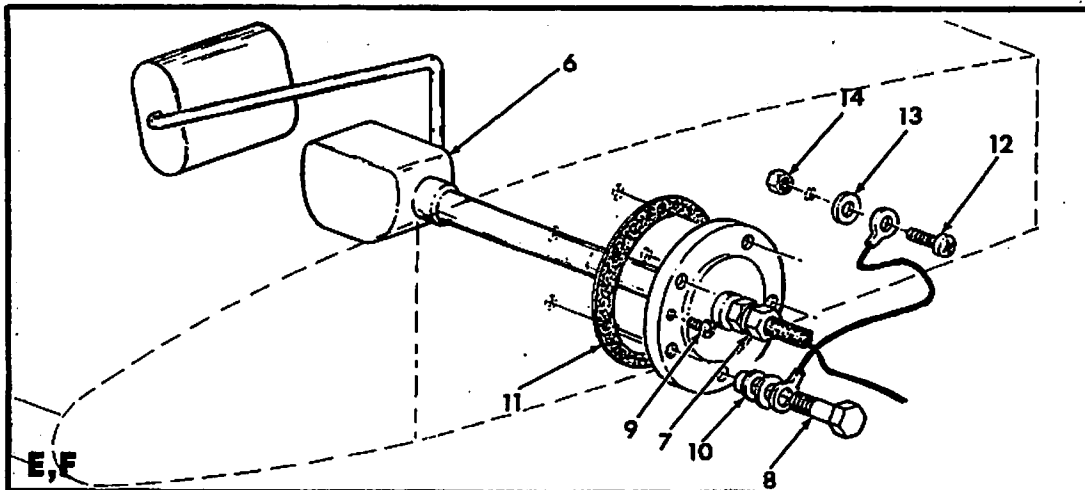
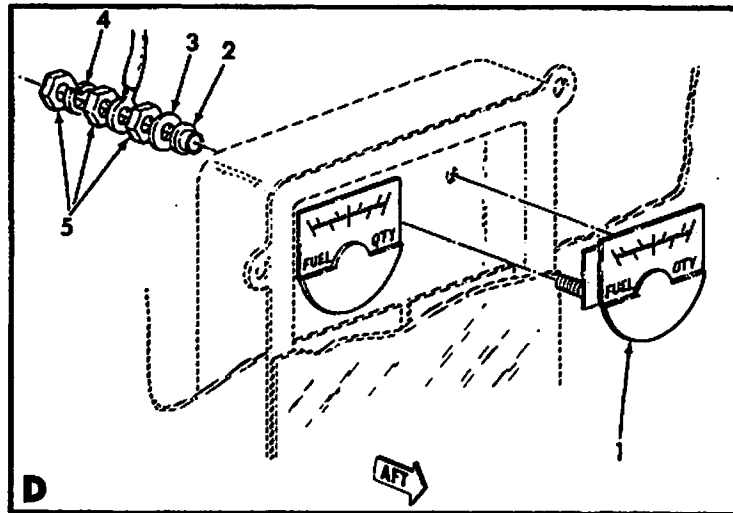
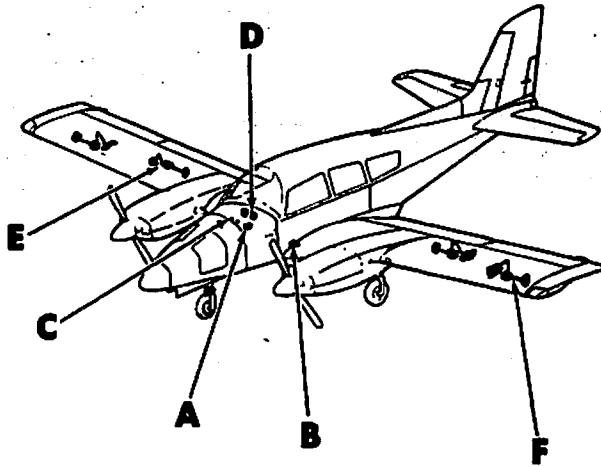
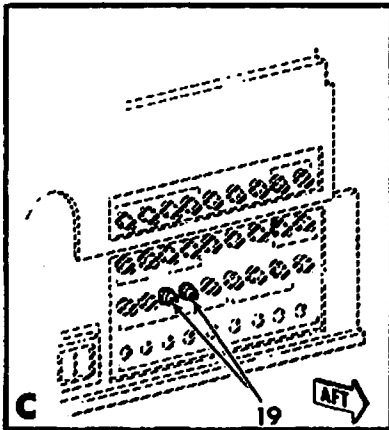
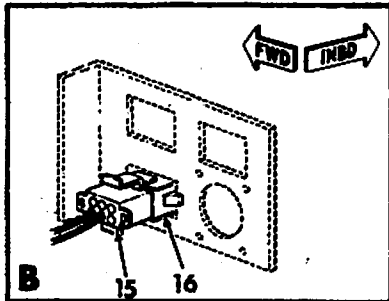
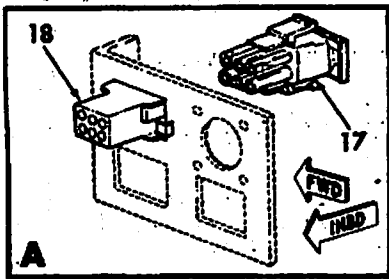
Fuel Primer Solenoid Installation
Figure 28-8

28G74-08

GRUMMAN AMERICAN AVIATION
GA-7/COUGAR
ILLUSTRATED PARTS CATALOG

Figure & Index No.	Part Number	Nomenclature							Units Per Assy	Usable On Code
		1	2	3	4	5	6	7		
28- 8 -	NO NUMBER	FUEL PRIMER SOLENOID INSTALLATION (SEE..... FIGURES 28-2 AND 28-3 FOR NHA)							NP	
- 1	MS51503-34	.REDUCER.....							1	
- 2	44045	.SOLENOID, FUEL PRIMER (17324) (SEE FIGURES..... 28-2 AND 28-3 FOR NHA) (ATTACHING PARTS)							1	
- 3	MS21919WDG11	.CLAMP.....							1	
- 4	MS35207-261	.SCREW.....							1	
- 5	AN960010L	.WASHER.....							1	

GRUMMAN AMERICAN AVIATION
GA-7/COUGAR
ILLUSTRATED PARTS CATALOG



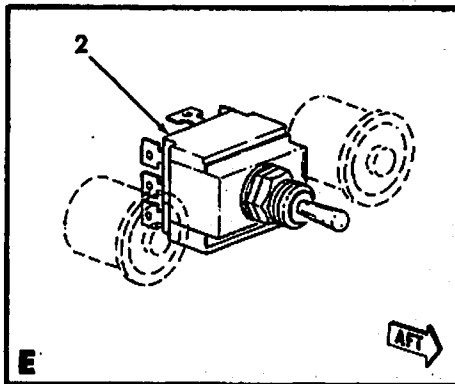
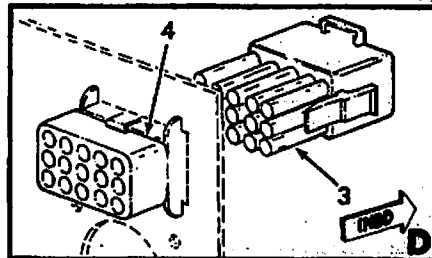
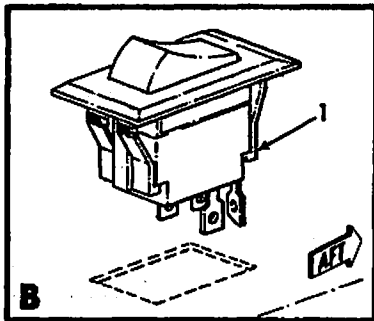
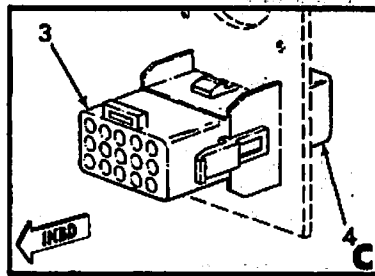
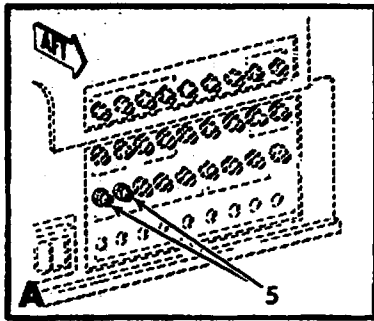
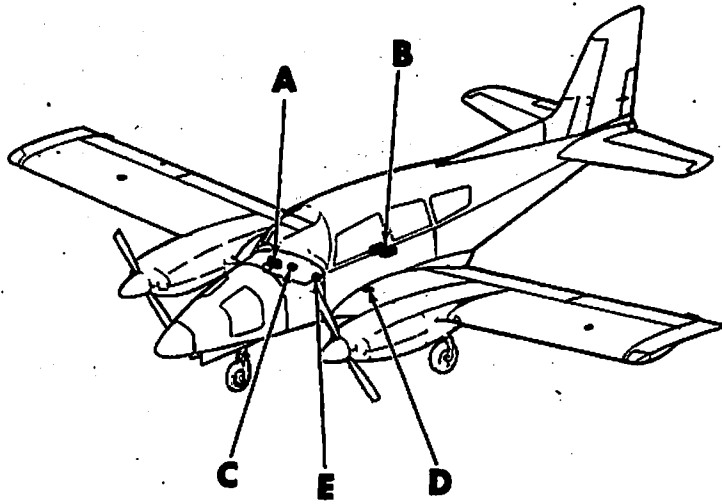
Fuel Quantity Indicator Installation
 Figure 28-9

28G74-03

GRUMMAN AMERICAN AVIATION
GA-7/COUGAR
ILLUSTRATED PARTS CATALOG

Figure & Index No.	Part Number	Nomenclature							Units Per Assy	Usable On Code
		1	2	3	4	5	6	7		
28- 9 -	NO NUMBER	FUEL QUANTITY INDICATOR INSTALLATION (SEE.....							RF	
- 1	6246-0085	GAAC DRAWING 7W10400-1 AND -2)								
- 2	28-439	.GAGE ASSEMBLY, FUEL QUANTITY (09393).....							2	
- 3	28-403	(ATTACHING PARTS)								
- 4	41-401	.WASHER, NYLON (09393).....							2	
- 5	44-402	.WASHER, BRASS (09393).....							2	
- 6	7SCF018-1	.WASHER, LOCK (09393).....							2	
	7SCF017-1	.NUT, BRASS (09393).....							6	
- 7	28-431	.SENDER ASSEMBLY, FUEL LEVEL (OUTBD).....							2	
		(USED ON 7W10400-1 AND -2)								
- 8	AN3-5A	.SENDER ASSEMBLY, FUEL LEVEL (INBD).....							2	
- 9	AN960-10	(USED ON 7W10400-1 AND -2)								
- 10	MS35206-227	(ATTACHING PARTS)								
- 11	722	.WASHER, FLAT (09393).....							1	
- 12	MS35207-261	.WASHER, LOCK (09393).....							1	
- 13	AN936	.NUT, BRASS (09393).....							2	
- 14	MS20364-1032C	.BOLT, AIRCRAFT.....							5	
- 15	1-480704-0	.WASHER, FLAT.....							5	
- 16	1-480705-0	.SCREW, MACHINE (USED ON 7SCF017).....							1	
- 17	1-480704-0	.GROMMET, NONMETALLIC (USED ON 7SCF017).....							5	
- 18	1-480705-0	(09393)								
- 19	1600-019-050	.GASKET, NEOPRENE (09393).....							1	
		.SCREW, MACHINE.....							1	
		.WASHER, TOOTH LOCK.....							1	
		.NUT, SELF-LOCKING.....							1	
		.CONNECTOR, PLUG, ELECTRICAL (P32) (00779).....							1	
		.CONNECTOR, RECEPTACLE, ELECTRICAL (J32).....							1	
		(00779)								
		.CONNECTOR, PLUG, ELECTRICAL (P33) (00779).....							1	
		.CONNECTOR, RECEPTACLE, ELECTRICAL (J33).....							1	
		(00779)								
		.CIRCUIT BREAKER, FUEL QTY, 5 AMP (87120).....							2	

GRUMMAN AMERICAN AVIATION
GA-7/COUGAR
ILLUSTRATED PARTS CATALOG



Fuel Electrical Installation
 Figure 28-10

28G74-10

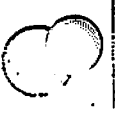
GRUMMAN AMERICAN AVIATION
GA-7/COUGAR
ILLUSTRATED PARTS CATALOG

Figure & Index No.	Part Number	Nomenclature							Units Per Assy	Usable On Code
		1	2	3	4	5	6	7		
28-10 -	NO NUMBER	FUEL ELECTRICAL INSTALLATION.....							NP	
	7SCF013-1	.PUMP,ELECTRIC FUEL (SEE FIGURE 28-6 FOR.....							RF	
	44045	INSTALLATION AND BREAKDOWN)								
		.SOLENOID,FUEL PRIMER (17324) (SEE FIGURE.....							RF	
- 1	LT1GK61-6S-WH-AM-	28-8 FOR INSTALLATION)								
	NBL-XGR1	.SWITCH,ROCKER,FUEL PUMP (73559).....							2	
- 2	HM27M-73	.SWITCH,TOGGLE.....							1	
	7AV10101-9	.CABLE ASSEMBLY,LEFT ENGINE (W9) (REFER TO.....							1	
		SPECIFIC CHAPTERS AND SYSTEMS FOR								
		ADDITIONAL COMPONENTS)								
	7AV10101-11	.CABLE ASSEMBLY,RIGHT ENGINE (W11) (REFER TO....							1	
		SPECIFIC CHAPTERS AND SYSTEMS FOR								
		ADDITIONAL COMPONENTS)								
- 3	1-480711-0	..CONNECTOR,CAP HOUSING (J14,J16) (00779).....							1	
	7AV10101-13	.CABLE ASSEMBLY,LEFT ENGINE (W13) (REFER TO.....							1	
		SPECIFIC CHAPTERS AND SYSTEMS FOR								
		ADDITIONAL COMPONENTS)								
	7AV10101-15	.CABLE ASSEMBLY,RIGHT ENGINE (W15) (REFER TO....							1	
		SPECIFIC CHAPTERS AND SYSTEMS FOR								
		ADDITIONAL COMPONENTS)								
- 4	1-480710-0	..CONNECTOR,PLUG HOUSING (P14,P16) (00779).....							1	
- 5	1600-019-050	.CIRCUIT BREAKER (05231).....							2	

CONFIDENTIAL

CONFIDENTIAL

CONFIDENTIAL



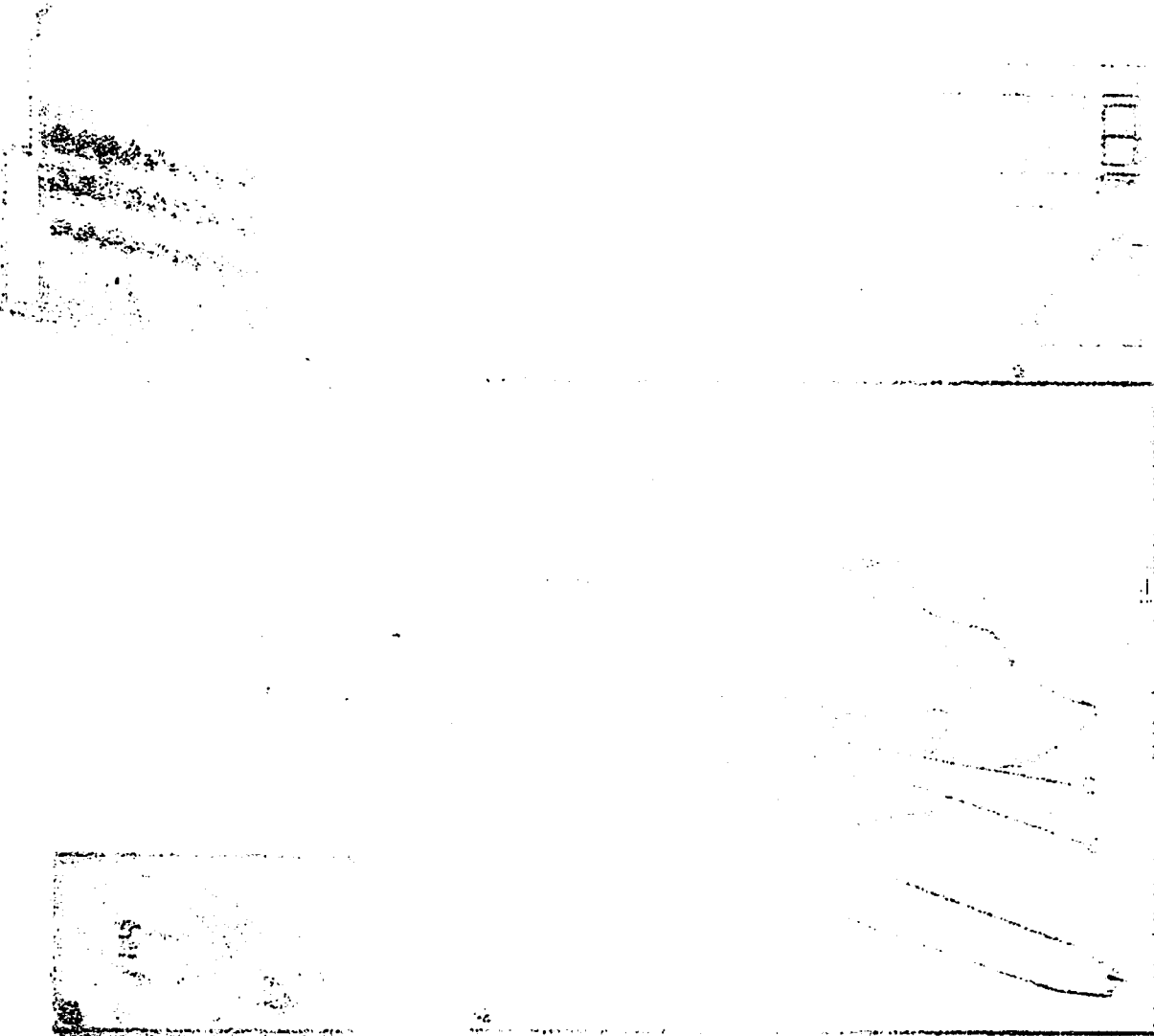
BRUNNAN AMERICAN AVIATION
GA-7/COUGAR
ILLUSTRATED PARTS CATALOG

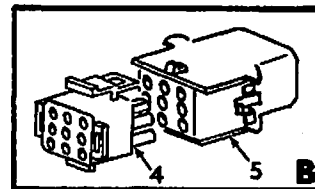
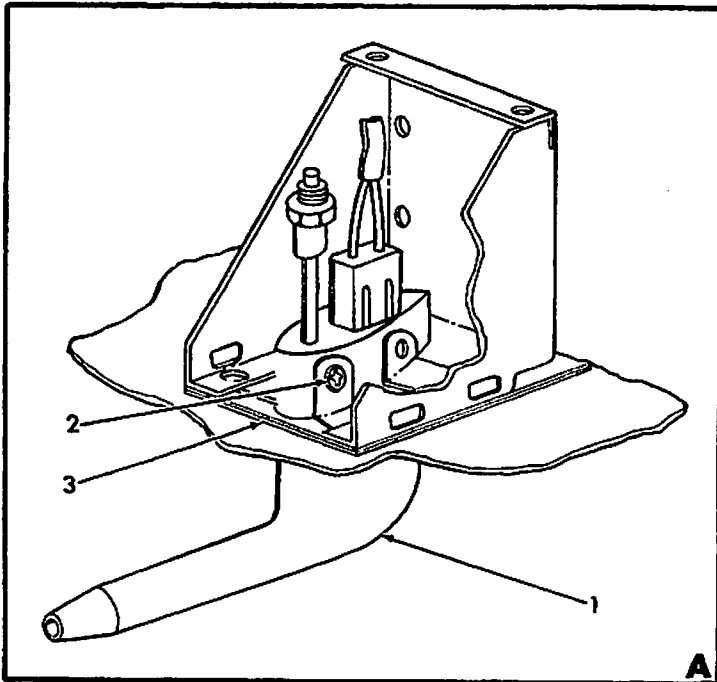
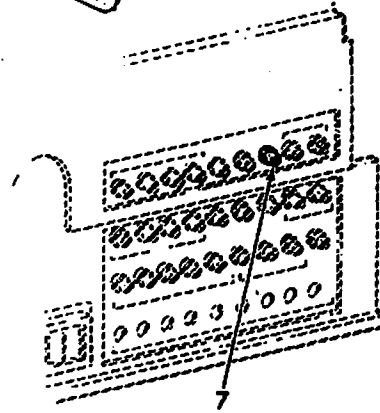
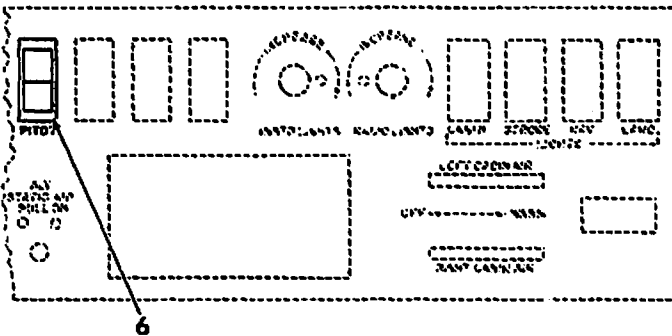
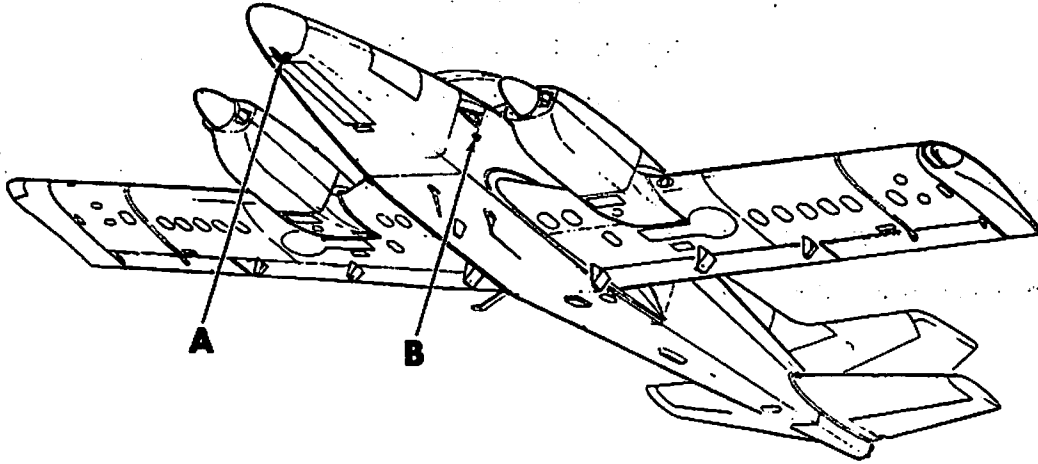
CHAPTER 30

ICE AND RAIN PROTECTION

TABLE OF CONTENTS

<u>SUBJECT</u>	<u>FIGURE NUMBER</u>
HEATED PITOT SYSTEM INSTALLATION	30-1
CARBURETOR HEAT SYSTEM INSTALLATION	30-2



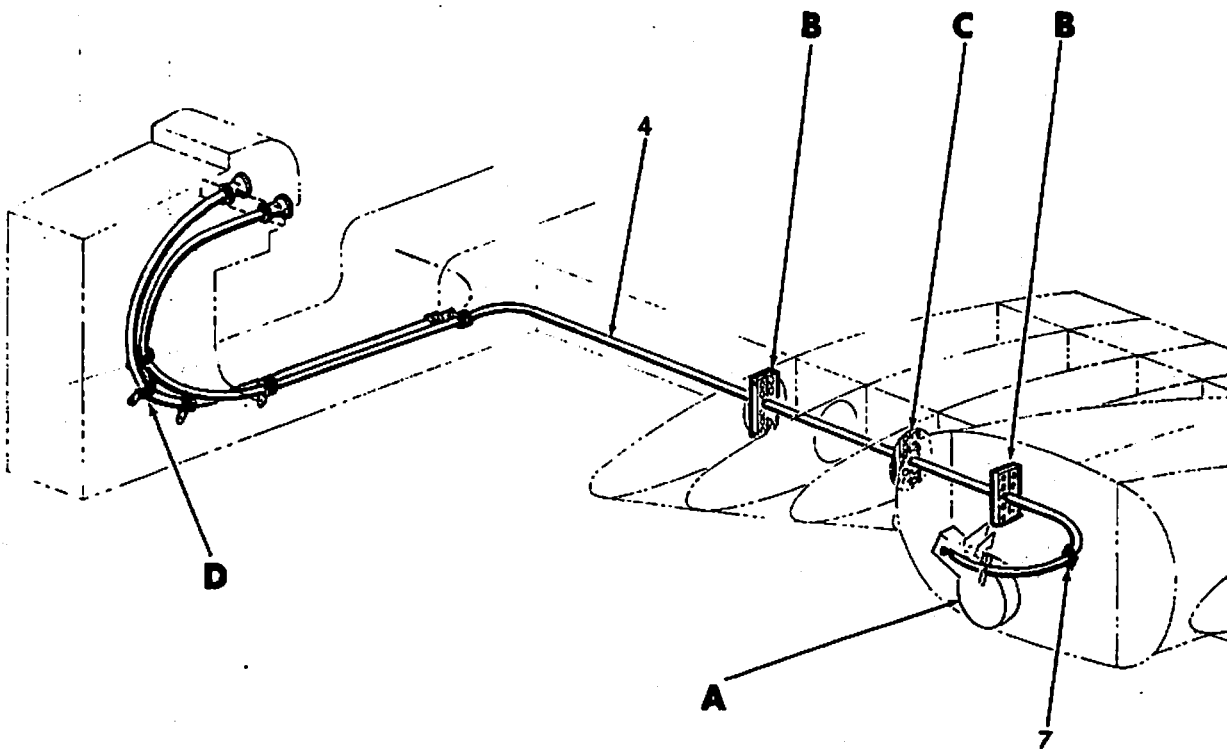
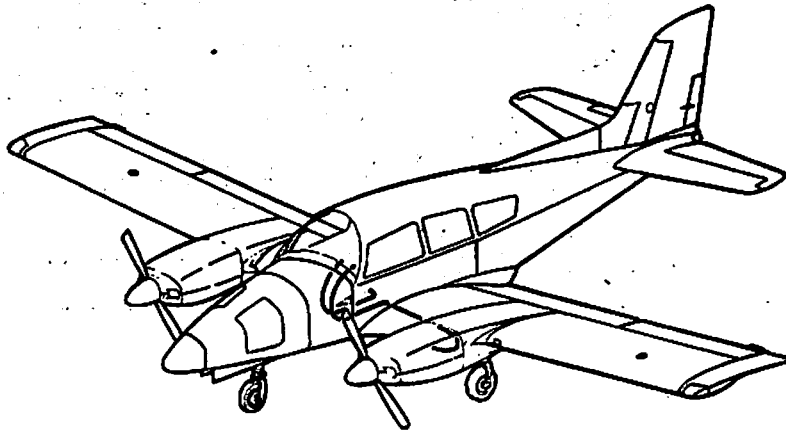


Heated Pitot System Installation
Figure 30-1

30G74-01

GRUMMAN AMERICAN AVIATION
GA-7/COUGAR
ILLUSTRATED PARTS CATALOG

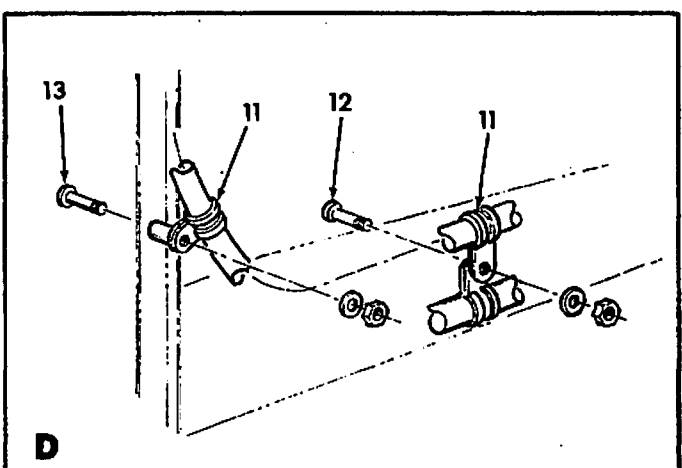
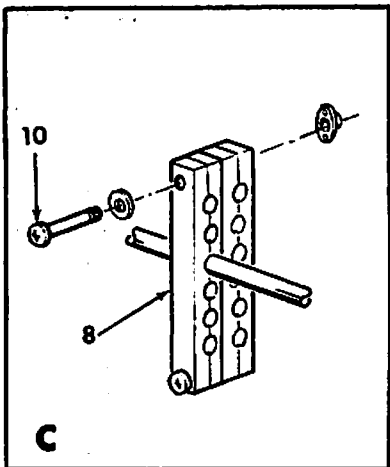
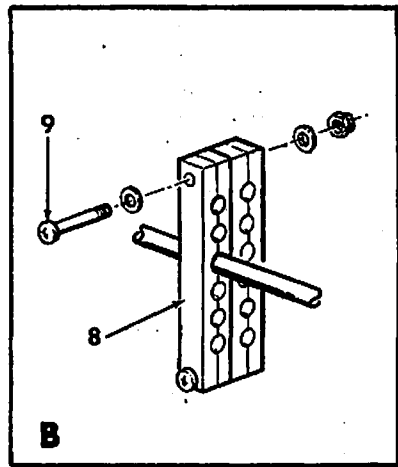
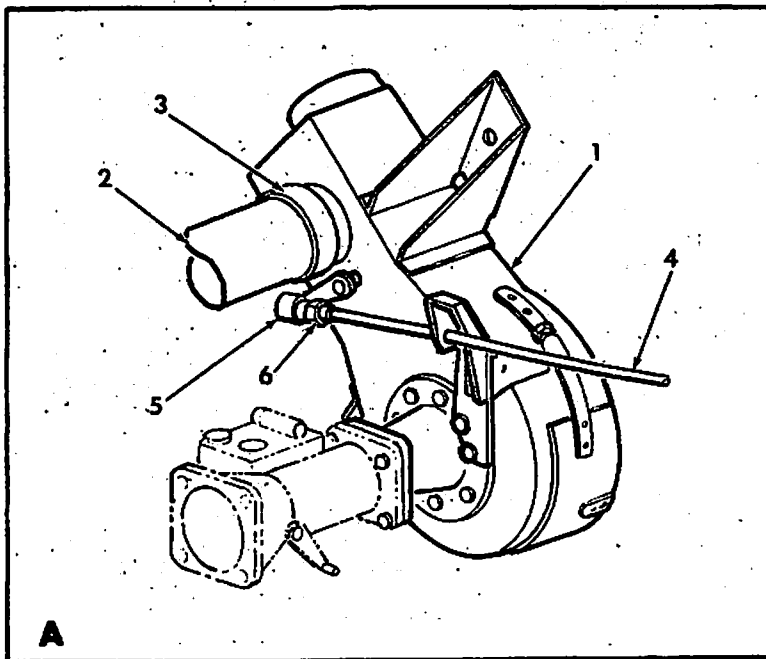
Figure & Index No.	Part Number	Nomenclature							Units Per Assy	Usable On Code
		1	2	3	4	5	6	7		
30- 1 -	NO NUMBER	HEATED PITOT SYSTEM INSTALLATION.....							NP	
- 1	PH502-12	.PITOT HEAD, HEATED (70134).....							1	
		(ATTACHING PARTS)								
- 2	MS35207-226	.SCREW.....							4	
	MS35338-41	.WASHER, LOCK.....							4	
- 3	7F10513-23	.BRACKET ASSEMBLY, PITOT HEAD.....							1	
	7AV10110-2	.CABLE ASSEMBLY (W23) (REFER TO SPECIFIC.....							1	
		CHAPTERS AND SYSTEMS FOR ADDITIONAL COMPONENTS)								
- 4	1-480706-0	..CONNECTOR, PLUG HOUSING (P23) (00779).....							1	
	7AV10110-4	.CABLE ASSEMBLY (W25) (REFER TO SPECIFIC.....							1	
		CHAPTERS AND SYSTEMS FOR ADDITIONAL COMPONENTS)								
- 5	1-480707-0	..CONNECTOR, CAP HOUSING (J23) (00779).....							1	
- 6	TA-201-TB-W	.SWITCH, ROCKER (73559).....							1	
- 7	1600-019-150	.CIRCUIT BREAKER (15 AMP) (05231).....							1	



Carburetor Heat System Installation
Figure 30-2 (Sheet 1 of 2)

30G74-02-1

GRUMMAN AMERICAN AVIATION
GA-7/COUGAR
ILLUSTRATED PARTS CATALOG



Carburetor Heat System Installation
Figure 30-2 (Sheet 2 of 2)

30G74-02-2

GLUMMAN AMERICAN AVIATION
GA-7/COUGAR
ILLUSTRATED PARTS CATALOG

Figure & Index No.	Part Number	Nomenclature							Units Per Assy	Usable On Code
		1	2	3	4	5	6	7		
30- 2 -	NO NUMBER	CARBURETOR HEAT SYSTEM INSTALLATION.....							NP	
- 1	5503005-519	.AIR BOX ASSEMBLY,CARBURETOR INDUCTION.....							2	
		(REFER TO CHAPTER 71 FOR DETAIL BREAKDOWN AND INSTALLATION)								
- 2	GAES425-S-10-106	.DUCT,CARBURETOR HEAT.....							2	
		(ATTACHING PARTS)								
- 3	QS100M36S	.CLAMP.....							2	
- 4	7P13000-23	.CONTROL CABLE,CARBURETOR HEAT (LH).....							1	
	7P13000-24	.CONTROL CABLE,CARBURETOR HEAT (RH).....							1	
		(ATTACHING PARTS)								
- 5	LK862	.BALL JOINT (70436).....							1	
	AN960-10	.WASHER.....							1	
	MS20364-1032	.NUT.....							1	
- 6	AN315-3R	.NUT.....							1	
- 7	7P10907-21	.COVER.....							1	
	7P10706-13	.SEAL.....							1	
	MS35206-245	.SCREW.....							3	
- 8	7FP10329-13	.CLAMP HALF.....							6	
	7F10329-17	.CLAMP HALF.....							6	
- 9	MS35207-271	.SCREW.....							4	
	AN960-10	.WASHER.....							8	
	MS20364-1032	.NUT.....							4	
- 10	MS35207-271	.SCREW.....							2	
	AN960-10	.WASHER.....							2	
	MS21069L3	.NUT, PLATE.....							2	
- 11	MS219190G-3	.CLAMP.....							5	
- 12	MS35207-264	.SCREW.....							2	
	AN960D10	.WASHER.....							4	
	MS20364-1032	.NUT.....							2	
- 13	MS35207-270	.SCREW.....							1	
	AN960D10	.WASHER.....							2	
	MS20364-1032	.NUT.....							1	
	NAS430D3-64	.SPACER.....							1	

BRUMMAN AMERICAN AVIATION
GA-7/COUGAR
ILLUSTRATED PARTS CATALOG

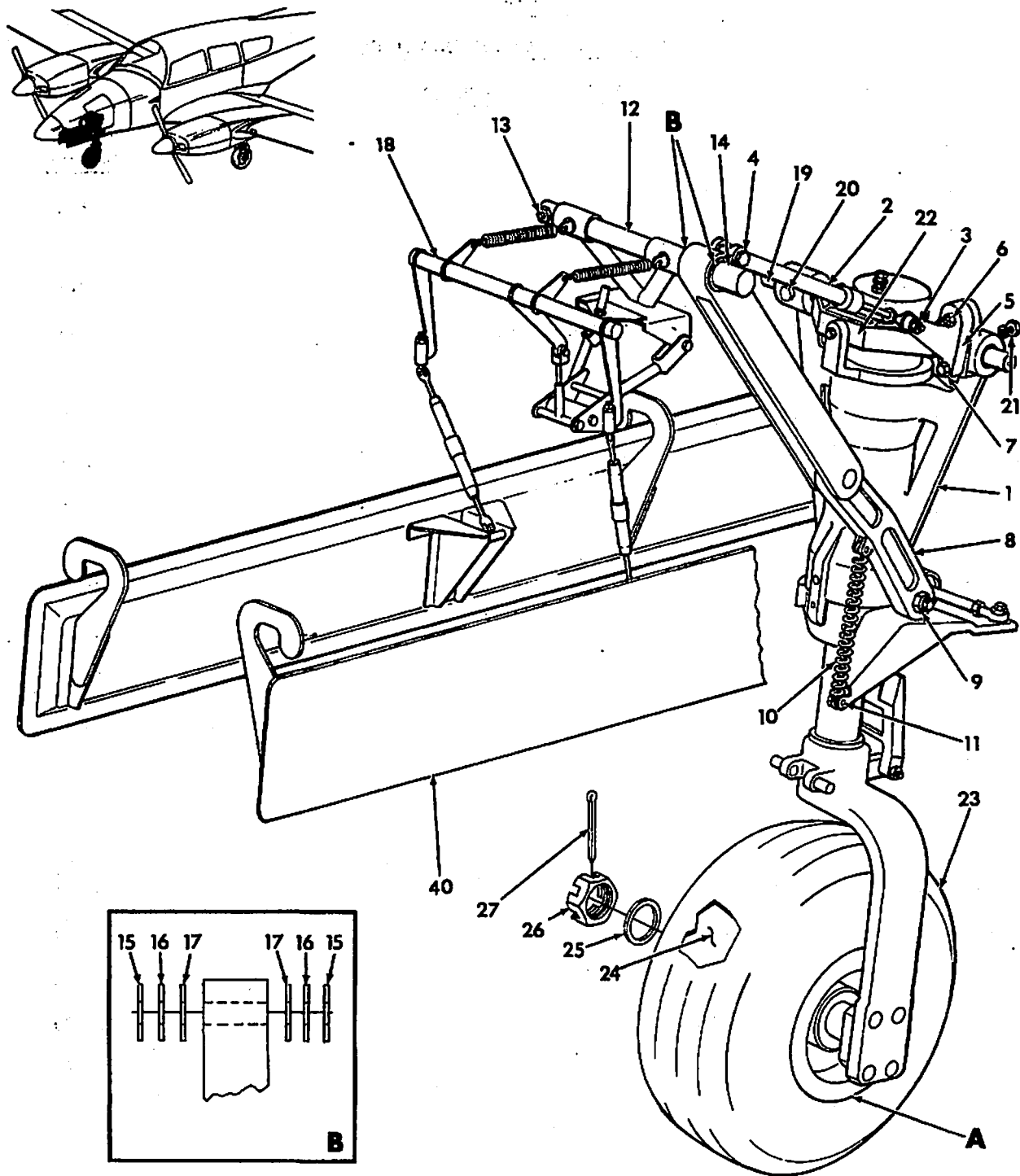
CHAPTER 32

LANDING GEAR AND HYDRAULICS

TABLE OF CONTENTS

<u>SUBJECT</u>	<u>FIGURE NUMBER</u>
NOSE LANDING GEAR INSTALLATION	32-1
LANDING GEAR ACTUATOR ASSEMBLY	32-2
LANDING GEAR BRACE ASSEMBLY	32-3
NOSE LANDING GEAR DOOR CLOSER MECHANICAL ASSEMBLY	32-4
NOSE LANDING GEAR STEERING BUNGEE ASSEMBLY	32-5
NOSE LANDING GEAR TRUNNION AND OLEO ASSEMBLY	32-6
NOSE LANDING GEAR SHIMMY DAMPER ASSEMBLY	32-7
NOSE LANDING GEAR STRUT ASSEMBLY	32-8
NOSE GEAR DOOR INSTALLATION	32-9
MAIN LANDING GEAR INSTALLATION	32-10
MAIN LANDING GEAR ASSEMBLY	32-11
HYDRAULIC SYSTEM INSTALLATION	32-12
HYDRAULIC SYSTEM POWER PACK ASSEMBLY	32-13
LANDING GEAR SELECTOR VALVE ASSEMBLY	32-14
FUSELAGE HYDRAULIC LINES INSTALLATION	32-15
WING HYDRAULIC LINES INSTALLATION	32-16
BRAKE CONTROL INSTALLATION	32-17
PARKING BRAKE INSTALLATION	32-18
LANDING GEAR CONTROL INSTALLATION	32-19
EMERGENCY LANDING GEAR CONTROL INSTALLATION	32-20
MAIN LANDING GEAR DOOR INSTALLATION	32-21
LANDING GEAR ELECTRICAL INSTALLATION	32-22

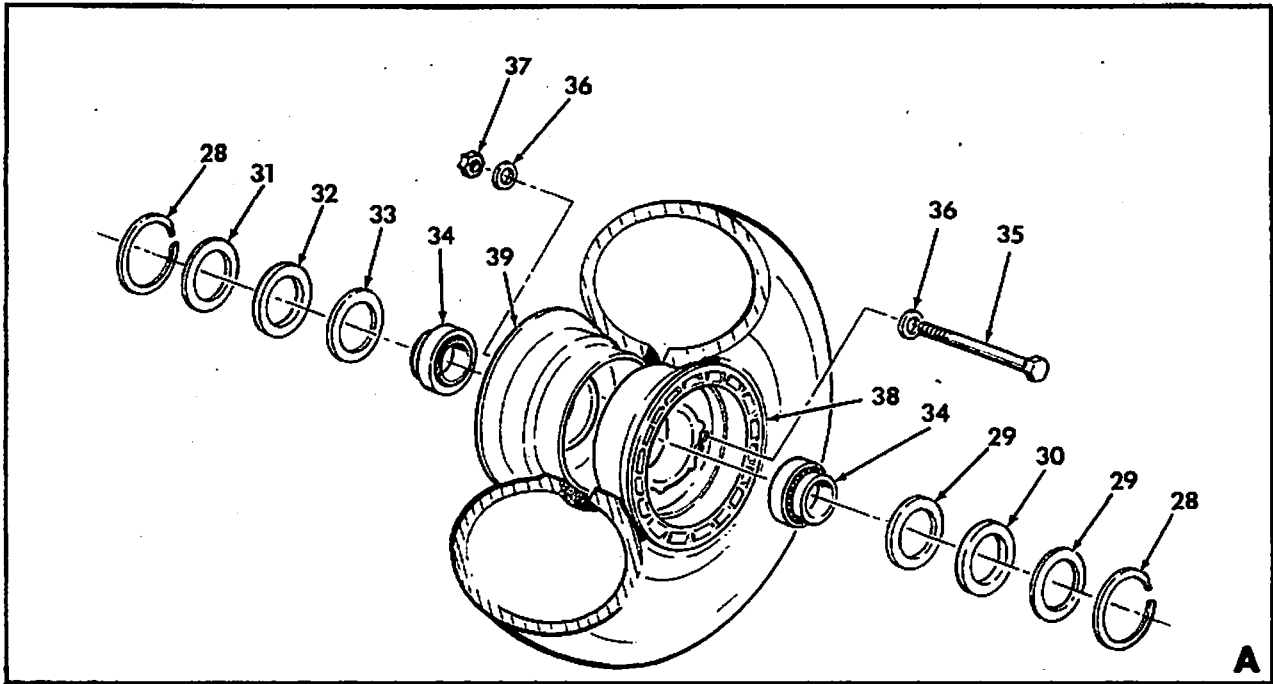
GRUMMAN AMERICAN AVIATION
GA-7/COUGAR
ILLUSTRATED PARTS CATALOG



Nose Landing Gear Installation
 Figure 32-1 (Sheet 1 of 2)

32G7401-1

GRUMMAN AMERICAN AVIATION
GA-7/COUGAR
ILLUSTRATED PARTS CATALOG



Nose Landing Gear Installation
Figure 32-1 (Sheet 2 of 2)

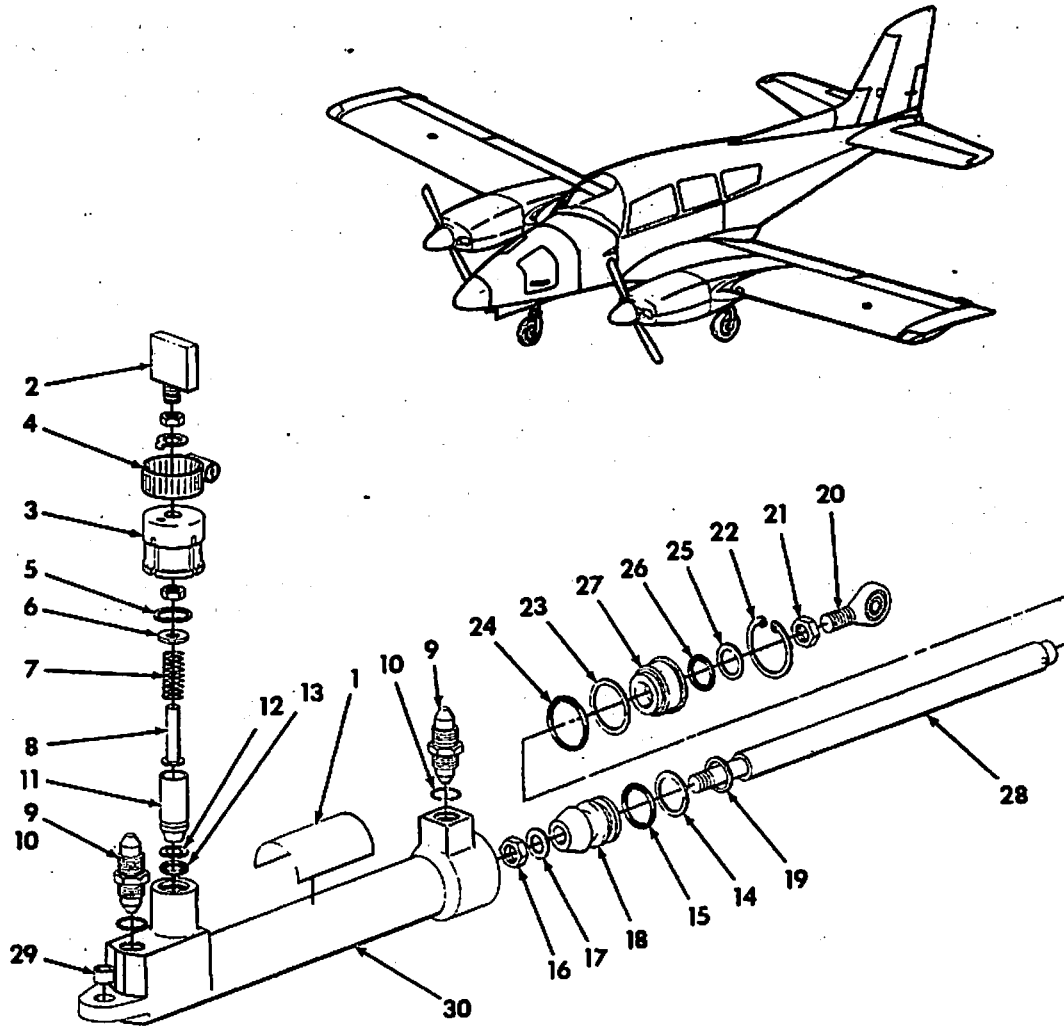
32G74-01-2

GRUMMAN AMERICAN AVIATION
GA-7/COUGAR
ILLUSTRATED PARTS CATALOG

Figure & Index No.	Part Number	Nomenclature 1 2 3 4 5 6 7	Units Per Assy	Usable On Code
32- 1 -	7L10200-1	NOSE LANDING GEAR INSTALLATION.....	RF	
- 1	7L10202-3	.TRUNNION AND OLEO ASSEMBLY, NOSE LANDING.....	1	
		GEAR (SEE FIGURE 32-6 FOR DETAIL BREAKDOWN)		
- 2	7L10102-3	.ACTUATOR ASSEMBLY, LANDING GEAR (SEE FIGURE.....	1	
		32-2 FOR DETAIL BREAKDOWN)		
		(ATTACHING PARTS)		
- 3	AN5-17	.BOLT, AIRCRAFT.....	1	
	GW10A-5	.WASHER, FLAT (UNDER BOLT HEAD).....	1	
	AN960-516	.WASHER, FLAT.....	1	
	AN310-5	.NUT, CASTELLATED.....	1	
	MS24665-132	.PIN, COTTER.....	1	
- 4	NAS1304-19D	.BOLT, AIRCRAFT.....	1	
	AN960-416L	.WASHER, FLAT.....	2	
	NAS75-4-007	.SPACER.....	1	
	AN960-416	.WASHER, FLAT.....	1	
	AN310-4	.NUT, CASTELLATED.....	1	
	MS24665-132	.PIN, COTTER.....	1	
- 5	7LM10211-13	.ARM, ACTUATOR, NOSE LANDING GEAR.....	1	
		(ATTACHING PARTS)		
- 6	AN6-21A	.BOLT, AIRCRAFT.....	1	
	AN960-616	.WASHER, FLAT.....	1	
	MS20365-624C	.NUT, SELF-LOCKING.....	1	
- 7	AN6-30A	.BOLT, AIRCRAFT.....	1	
	AN960-616	.WASHER, FLAT.....	1	
	MS20365-624C	.NUT, SELF-LOCKING.....	1	
- 8	7L10103-4	.BRACE ASSEMBLY, LANDING GEAR, NOSE (SEE.....	1	
		FIGURE 32-3 FOR DETAIL BREAKDOWN)		
		(ATTACHING PARTS)		
- 9	AN960-816	.WASHER, FLAT.....	2	
	AN320-8	.NUT, CASTELLATED.....	1	
	MS24665-283	.PIN, COTTER.....	1	
- 10	7LM10145-11	.SPRING, CCWN LOCK (SEE FIGURE 32-3 FOR.....	1	
		DETAIL BREAKDOWN)		
		(ATTACHING PARTS)		
- 11	MS20392-1C15	.PIN, CLFVIS.....	1	
	AA110-2	.BUSHING (70417).....	1	
	AN960-6	.WASHER, FLAT.....	1	
	MS24665-132	.PIN, COTTER.....	1	
- 12	7LM10287-11	.SUPPORT TUBE, NOSE LANDING GEAR.....	1	
		(ATTACHING PARTS)		
- 13	AN3-25A	.BOLT, AIRCRAFT.....	1	
	AN960-10	.WASHER, FLAT.....	1	
	MS20365-1082C	.NUT, SELF-LOCKING.....	1	
- 14	7LM10290-11	.SPACER, NOSE LANDING GEAR.....	1	
- 15	AN960-PD1816L	.WASHER, FLAT.....	AR	
- 16	7L10262-25	.WASHER, SPECIAL.....	2	
- 17	TT-1800-1	.BEARING, THRUST (70417).....	2	
- 18	7L10234-1	.DOOR CLOSE MECHANICAL ASSEMBLY, NOSE.....	1	
		LANDING GEAR (SEE FIGURE 32-4 FOR DETAIL BREAKDOWN)		
- 19	7LM10286-11	.PIN, TRUNNION, NOSE GEAR.....	2	
		(ATTACHING PARTS)		
- 20	AN4-23A	.BOLT, AIRCRAFT (RF SIDE).....	1	
	AN960-4	.WASHER, FLAT.....	1	

GRUMMAN AMERICAN AVIATION
GA-7/COUGAR
ILLUSTRATED PARTS CATALOG

Figure & Index No.	Part Number	Nomenclature 1 2 3 4 5 6 7	Units Per Assy	Usable On Code
32- 1 - 20	MS20365-428C	.NUT, SELF-LOCKING.....	1	
	AN960-1616L	.WASHER, FLAT.....	AR	
- 21	AN4-21A	.BOLT, AIRCRAFT (LH SIDE).....	1	
	AN960-4	.WASHER, FLAT.....	1	
	MS20365-428C	.NUT, SELF-LOCKING.....	1	
	AN960-1616L	.WASHER, FLAT.....	AR	
- 22	7LM10218-3	.ARM ASSEMBLY, NOSE LANDING GEAR STEERING..... (SEE FIGURE 32-6 FOR DETAIL BREAKDOWN)	1	
- 23	15X6.00-6X4PLY	.TIRE, TYPE 6, 4-PLY RATING (MCCREARY TIRE &..... RUBBER CO.)	1	
- 24	15X6.00-6 040-07607	.TUBE, TIRE, TYPE 6 (MCCREARY TIRE & RUBBER CO) .WHEEL ASSEMBLY, NOSE LANDING GEAR (71513)..... (ATTACHING PARTS)	1 1	
- 25	7LM10115-15	.SPACER, LANDING GEAR.....	1	
- 26	MS21025-24	.NUT, CASTELLATED.....	1	
- 27	MS24665-360	.PIN, COTTER.....	1	
- 28	155-00100	.RING, RETAINING (71513).....	2	
- 29	153-00400	.RING, GREASE SEAL (71513).....	2	
- 30	154-00300	.FELT, GREASE SEAL (71513).....	1	
- 31	153-01580	.RING, GREASE SEAL (71513).....	1	
- 32	153-01300	.FELT, GREASE SEAL (71513).....	1	
- 33	153-00300	.RING, GREASE SEAL (71513).....	1	
- 34	214-00200	.BEARING, ROLLER (71513).....	2	
- 35	AN5-35A	.BOLT, AIRCRAFT.....	3	
- 36	AN960-516	.WASHER, FLAT.....	6	
- 37	AN865-524	.NUT, SELF-LOCKING.....	3	
- 38	161-03000	.WHEEL HALF ASSEMBLY, INNER (71513).....	1	
- 39	162-02700	.WHEEL HALF ASSEMBLY, OUTER (71513).....	1	
- 40	7B11400-1	NOSE LANDING GEAR DOOR INSTALLATION..... (LH SIDE) (SEE FIGURE 32-9 FOR DETAIL BREAKDOWN)	RF	
	7B11400-2	NOSE LANDING GEAR DOOR INSTALLATION..... (RH SIDE) (SEE FIGURE 32-9 FOR DETAIL BREAKDOWN)	RF	



Landing Gear Actuator Assembly
Figure 32-2

32G74-02-1

GRUMMAN AMERICAN AVIATION
GA-7/COUGAR
ILLUSTRATED PARTS CATALOG

Figure & Index No.	Part Number	Nomenclature							Units Per Assy	Usable On Code
		1	2	3	4	5	6	7		
32- 2 -	7L10102-3	ACTUATOR ASSEMBLY, LANDING GEAR (SEE FIGURE..... 32-1 FOR NHA)							RF	
- 1	7L10244-11	.PLATE, IDENTIFICATION.....							1	
- 2	65-430130	.SWITCH (04426).....							1	
- 3	7LM10257-11	.BRACKET, CCWN LOCK SWITCH, LANDING GEAR.....							1	
- 4	AN737-TW38	.CLAMP, HOSE.....							1	
- 5	MS16625-1056	.RING, RETAINING.....							1	
- 6	7LM10256-11	.WASHER.....							1	
- 7	9-0605-2	.SPRING (21728).....							1	
- 8	7LM10255-11	.PIN.....							1	
- 9	AN815-40	.UNION, FLARED TUBE.....							2	
- 10	MS23778-4	.PACKING, PREFORMED.....							2	
- 11	7LM10253-11	.PISTON LOCK.....							1	
- 12	8-012N300-9	.RING, BACKUP (02697).....							1	
- 13	MS28775-012	.PACKING, PREFORMED.....							1	
- 14	8-115N300-9	.RING, BACKUP (02697).....							1	
- 15	MS28775-115	.PACKING, PREFORMED.....							1	
- 16	AN365-524C	.NUT, SELF-LOCKING.....							1	
- 17	AN960-516L	.WASHER, FLAT.....							1	
- 18	7LM10254-11	.HEAD, PISTON.....							1	
- 19	800-042-5/16	.SFAL (02697).....							1	
- 20	HMV-5M	.ROD END (73134).....							1	
- 21	AN316-5	.NUT, CHECK.....							1	
- 22	MS16625-1106	.RING, RETAINING.....							1	
- 23	MS28774-021	.RING, BACKUP.....							1	
- 24	MS28775-021	.PACKING, PREFORMED.....							1	
- 25	MS28774-112	.RING, BACKUP.....							1	
- 26	MS28775-112	.PACKING, PREFORMED.....							1	
- 27	7LM10251-11	.PLUG.....							1	
- 28	7LM10252-11	.PISTON ROD.....							1	
	7LM10250-3	.BODY ASSEMBLY, ACTUATOR, LANDING GEAR.....							1	
- 29	AA-304-7	.BUSHING (70417).....							1	
- 30	7LM10250-13	.BODY, ACTUATOR.....							1	

GRUMMAN AMERICAN AVIATION
GA-7/COUGAR
ILLUSTRATED PARTS CATALOG

Figure & Index No.	Part Number	Nomenclature	Units	Usable On Code
			Per Assy	
		1 2 3 4 5 6 7		
32- 3 -	7L10103-3	BRACE ASSEMBLY, LANDING GEAR, LH SIDE (SEE..... FIGURE 32-10 FOR NHA)	RF	
	7L10103-4	BRACE ASSEMBLY, LANDING GEAR, RH SIDE AND NOSE.... (SEE FIGURES 32-1 AND 32-10 FOR NHA)	RF	
- 1	65-430130	.SWITCH (04426).....	1	
- 2	7LM10143-12	.BRACKET, SWITCH, LH SIDE.....	1	
	7LM10143-11	.BRACKET, SWITCH, RH SIDE AND NOSE..... (ATTACHING PARTS)	1	
- 3	AN3H4A	.BOLT, AIRCRAFT.....	2	
	AN960-10L	.WASHER, FLAT.....	2	
	7LM10241-3	.UPPER LINK ASSEMBLY, LANDING GEAR..... (ATTACHING PARTS)	1	
- 4	7LM10120-11	.PIN, BRACE ASSEMBLY.....	1	
- 5	AN960-816	.WASHER, FLAT.....	2	
- 6	7LM10120-13	.WASHER, BRACE ASSEMBLY.....	1	
- 7	AN320-8	.NUT, CASTELLATED.....	1	
- 8	MS24665-285	.PIN, COTTER.....	1	
- 9	AA-1332-9	.BEARING, SLEEVE (70417).....	1	
- 10	3591-3CN-10285	.INSERT (THREADED).....	2	
- 11	7LM10241-13	.LINK, UPPER.....	1	
- 12	7LM10144-11	.STRIKER, SWITCH..... (ATTACHING PARTS)	1	
- 13	NAS428K4-10	.SCREW, ADJUSTABLE.....	1	
	AN316-4	.NUT, JAM.....	1	
- 14	7LM10145-11	.SPRING, DOWN LOCK.....	1	
- 15	MS16562-33	.PIN, SPRING.....	1	
- 16	AA-110-1	.BUSHING (70417).....	1	
	7LM10240-3	.LOWER LINK ASSEMBLY, LANDING GEAR.....	1	
- 17	AA-628-6	.BEARING (70417).....	2	
- 18	7LM10240-15	.LOWER LINK.....	1	

FEDERAL BUREAU OF INVESTIGATION
 DEPARTMENT OF JUSTICE
 WASHINGTON, D. C. 20535

Date	Description	Amount
10/1/50
10/2/50
10/3/50
10/4/50
10/5/50
10/6/50
10/7/50
10/8/50
10/9/50
10/10/50
10/11/50
10/12/50
10/13/50
10/14/50
10/15/50
10/16/50
10/17/50
10/18/50
10/19/50
10/20/50
10/21/50
10/22/50
10/23/50
10/24/50
10/25/50
10/26/50
10/27/50
10/28/50
10/29/50
10/30/50
10/31/50

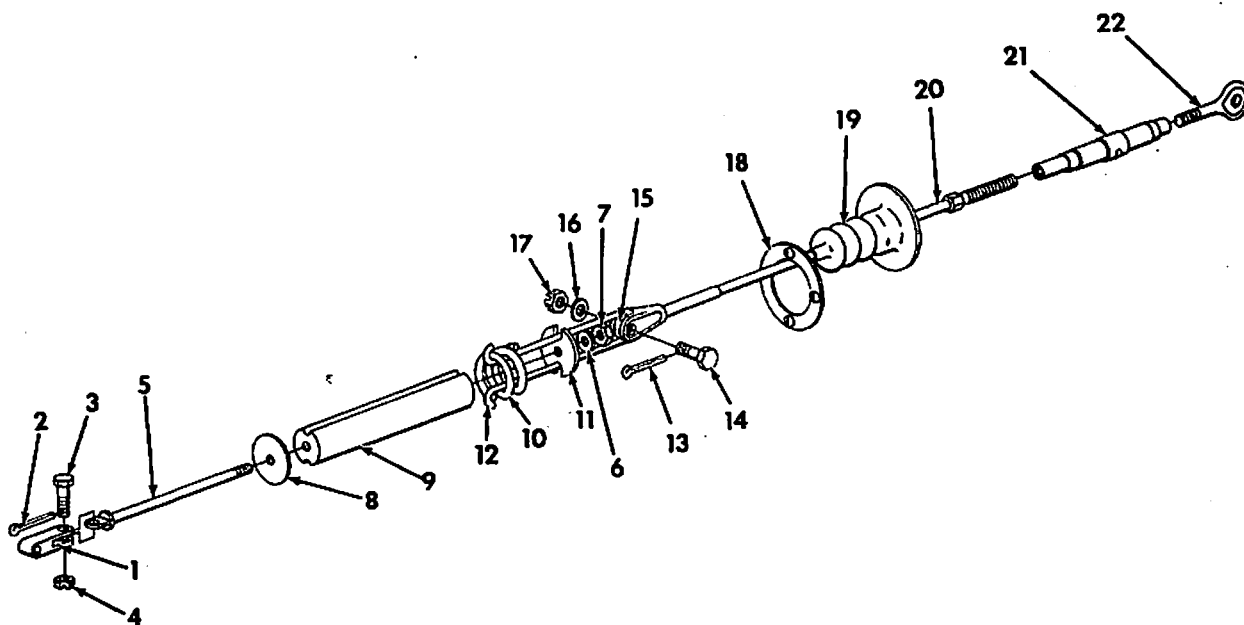
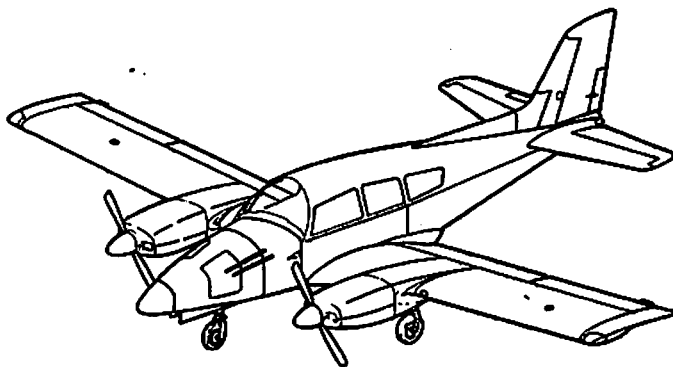
GRUMMAN AMERICAN AVIATION
GA-7/COUGAR
ILLUSTRATED PARTS CATALOG

Figure & Index No.	Part Number	Nomenclature	Units Per Assy	Usable On Code
32- 4 -	7L10234-1	DOOR CLOSER MECHANICAL ASSEMBLY, NOSE LANDING.... GEAR (SEE FIGURE 32-1 FOR NHA)	RF	
- 1	LE063E-11	.SPRING, HELICAL, EXPANSION (84830).....	2	
- 2	7L10235-1	.BELL CRAK ASSEMBLY, NOSE GEAR DOOR CLOSING..... MECHANISM	1	
		(ATTACHING PARTS)		
- 3	MS24665-132	.PIN, COTTER.....	3	
- 4	AN3-11	.BOLT, AIRCRAFT.....	1	
- 5	AN960-10	.WASHER, FLAT.....	2	
- 6	AN960-10L	.WASHER, FLAT.....	1	
- 7	AN960-416L	.WASHER, FLAT.....	2	
- 8	AN310-3	.NUT, CASTELLATED.....	1	
- 9	AN310-4	.NUT, CASTELLATED.....	2	
- 10	AA309-8	.BUSHING (70417).....	1	
- 11	AA304-7	.BUSHING (70417).....	4	
	7L10262-1	.CLEVIS ASSEMBLY, DOOR CLOSING MECHANISM.....	1	
- 12	NAS428-H4-12	.BOLT, AIRCRAFT.....	1	
- 13	AN960-416	.WASHER, FLAT.....	1	
- 14	MS20364-428	.NUT, SELF-LOCKING.....	1	
- 15	7L10262-11	.CLEVIS, DOOR CLOSING MECHANISM.....	1	
- 16	AN316-4	.NUT, CHECK.....	1	
- 17	7L10238-3	.TEE ASSEMBLY, DOOR CLOSING MECHANISM..... (ATTACHING PARTS)	1	
- 18	MS24665-132	.PIN, COTTER.....	1	
- 19	AN3-26	.BOLT, AIRCRAFT.....	1	
- 20	AN960-10	.WASHER, FLAT.....	2	
- 21	AN960-10L	.WASHER, FLAT.....	1	
- 22	AN310-3	.NUT, CASTELLATED.....	1	
- 23	AA306-3	.BUSHING (70417).....	2	
- 24	7L10262-23	.ROLLER, DOOR CLOSING MECHANISM..... (ATTACHING PARTS)	1	
- 25	MS24665-132	.PIN, COTTER.....	1	
- 26	AN3-26	.BOLT, AIRCRAFT.....	1	
- 27	NAS75-3-204	.SPACER.....	1	
- 28	AN960-10	.WASHER, FLAT.....	2	
- 29	AN960-10L	.WASHER, FLAT.....	1	
- 30	AN310-3	.NUT, CASTELLATED.....	1	
- 31	7L10236-1	.LINK ASSEMBLY, DOOR CLOSING MECHANISM..... (ATTACHING PARTS)	1	
- 32	MS24665-132	.PIN, COTTER.....	2	
- 33	AN3-11	.BOLT, AIRCRAFT.....	2	
- 34	AN960-10	.WASHER, FLAT.....	4	
- 35	AN960-10L	.WASHER, FLAT.....	2	
- 36	AN310-3	.NUT, CASTELLATED.....	2	
- 37	7L10262-13	BLOCK, UP-STOP..... (ATTACHING PARTS)	1	
- 38	7L10262-15	.SHIM, UP-STOP BLCK.....	AR	
- 39	AN3-10A	.BOLT, AIRCRAFT.....	2	
- 40	AN960-10L	.WASHER, FLAT.....	2	
- 41	65-430130	.SWITCH (C4426).....	1	
- 42	7L10262-3	.SWITCH PLATE ASSEMBLY.....	1	
- 43	NAS696A3	.NUT, PLATE.....	2	
- 43	7L10262-17	.PLATE, SWITCH.....	1	
- 44	AN42-815	.EYEBOLT.....	2	

GRUMMAN AMERICAN AVIATION
GA-7/COUGAR
ILLUSTRATED PARTS CATALOG

Figure & Index No.	Part Number	Nomenclature							Units Per Assy	Usable On Code
		1	2	3	4	5	6	7		
		(ATTACHING PARTS)								
32- 4 - 45	AN960-10	.WASHER, FLAT.....							1	
- 46	MS20365-1032C	.NUT, SELF-LOCKING.....							1	
		-----+-----								
- 47	7L10234-11	.EYEBOLT.....							2	
		(ATTACHING PARTS)								
- 48	MS24665-132	.PIN, COTTER.....							1	
- 49	AN24-13	.BOLT, CLEVIS.....							1	
- 50	AN960-416	.WASHER, FLAT.....							2	
- 51	AN960-416L	.WASHER, FLAT.....							1	
- 52	AN320-4	.NUT, CASTELLATED.....							1	
		-----+-----								
- 53	MS21252-5RL	.CLEVIS, TURNBUCKLE.....							2	
- 54	MS21251-85L	.BARR EL, TURNBUCKLE.....							2	
- 55	MS21252-5LS	.CLEVIS, TURNBUCKLE.....							2	
		(ATTACHING PARTS)								
- 56	MS24665-132	.PIN, COTTER.....							1	
- 57	AN24-13	.BOLT, CLEVIS.....							1	
- 58	AN960-416	.WASHER, FLAT.....							2	
- 59	AN960-416L	.WASHER, FLAT.....							1	
- 60	AN320-4	.NUT, CASTELLATED.....							1	
		-----+-----								
- 61	NAS651-16L	.CLIP, RETAINER.....							2	
- 62	7L10237-1	.LINK ASSEMBLY, UP-STOP, NOSE GEAR DOOR.....							1	
		CLOSING MECHANISM								
- 63	NAS428-H4-10	.SCREW, ADJUSTABLE.....							2	
- 64	AN316-4	.NUT, CHECK.....							2	
- 65	7L10238-1	.STOP ASSEMBLY, DOOR CLOSING MECHANISM (LH).....							1	
	7L10238-2	.STOP ASSEMBLY, DOOR CLOSING MECHANISM (RH).....							1	
		(ATTACHING PARTS)								
- 66	AN3-4A	.BOLT, AIRCRAFT.....							2	
- 67	AN960-10L	.WASHER, FLAT.....							2	
		-----+-----								

GRUMMAN AMERICAN AVIATION
GA-7/COUGAR
ILLUSTRATED PARTS CATALOG



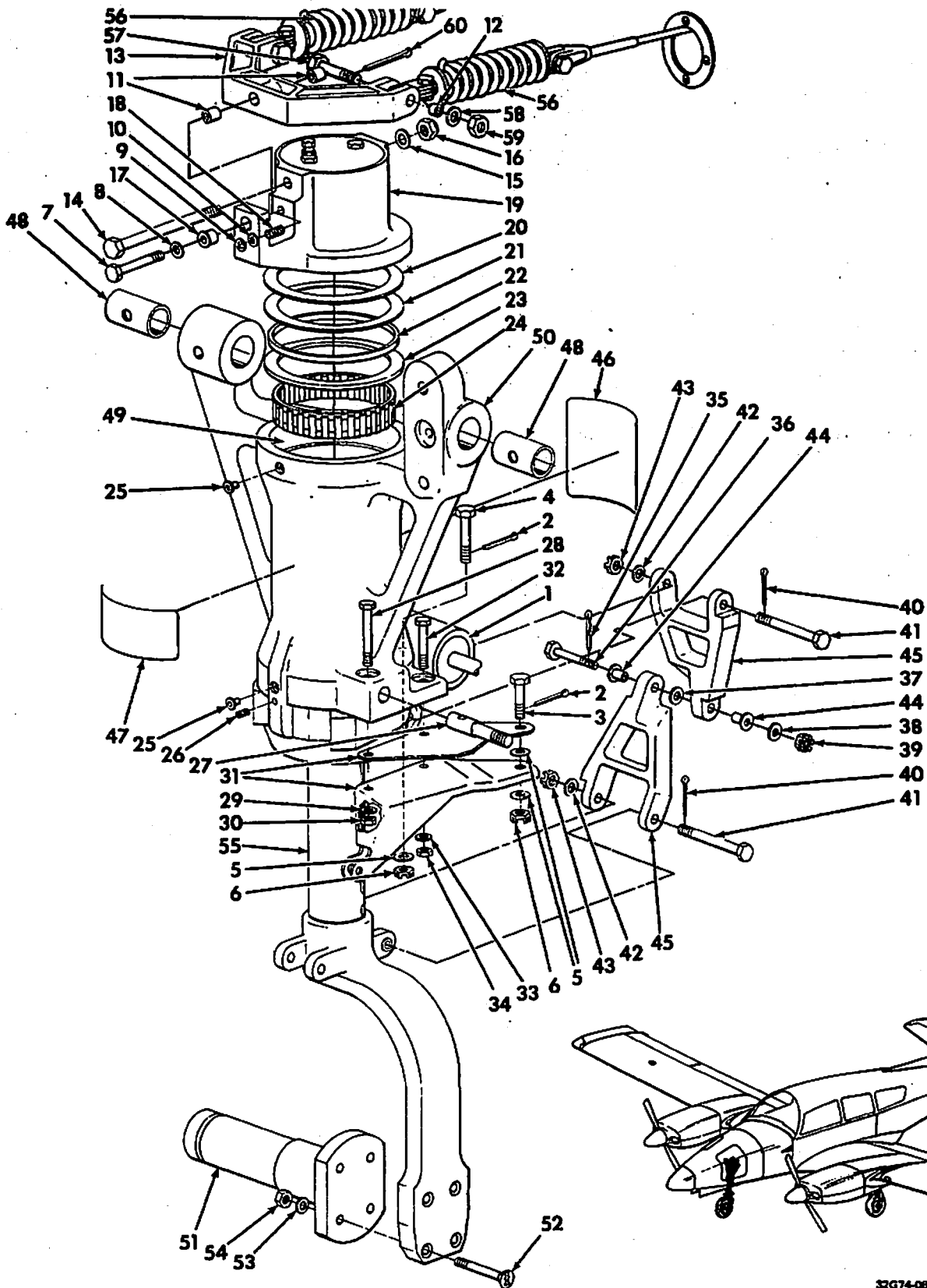
Nose Landing Gear Steering Bungee Assembly
Figure 32-5

32G74-05-1

GRUMMAN AMERICAN AVIATION
GA-7/COUGAR
ILLUSTRATED PARTS CATALOG

Figure & Index No.	Part Number	Nomenclature	Units	Usable On Code
			Per Assy	
		1 2 3 4 5 6 7		
32- 5 -	7L10273-1	BUNGEE ASSEMBLY, NOSE LANDING GEAR STEERING..... (SEE FIGURE 32-6 FOR NHA)	RF	
- 1	7L10281-11	.BLOCK..... (ATTACHING PARTS)	1	
- 2	MS24665-132	.PIN, COTTER.....	1	
- 3	AN3-6	.BOLT, AIRCRAFT.....	1	
- 4	AN320-3	.NUT, CASTELLATED.....	1	
- 5	AN428-36A	.EYEBOLT..... (ATTACHING PARTS)	1	
- 6	AN960-316L	.WASHER, FLAT.....	1	
- 7	NAS679-A3	.NUT, SELF-LOCKING.....	1	
- 8	7L10282-13	.WASHER, DRAW BAR.....	1	
- 9	7LM10292-11	.GUIDE, BUNGEE SPRING.....	1	
- 10	LC-135M-7	.SPRING, HELICAL, COMPRESSION.....	1	
- 11	7L10282-11	.WASHER, DRAWBAR.....	1	
- 12	7LM10288-11	.DRAWBAR, BUNGEE..... (ATTACHING PARTS)	1	
- 13	MS24665-132	.PIN, COTTER.....	1	
- 14	AN23-13	.BOLT, AIRCRAFT.....	1	
- 15	7LM10291-13	.BUSHING, DRAWBAR.....	1	
- 16	AN960-10	.WASHER, FLAT.....	1	
- 17	AN320-3	.NUT, CASTELLATED.....	1	
- 18	7L10284-13	.RETAINER.....	1	
- 19	7L10284-11	.BOOT.....	1	
- 20	7L10283-1	.CABLE ASSEMBLY.....	1	
- 21	MS21251-B5S	.BARR EL.....	1	
- 22	MS21255-BLS	.END FITTING, TURNBUCKLE.....	1	

GRUMMAN AMERICAN AVIATION
GA-7/COUGAR
ILLUSTRATED PARTS CATALOG



Nose Landing Gear Trunnion and Oleo Assembly
Figure 32-6

32G74-08-1

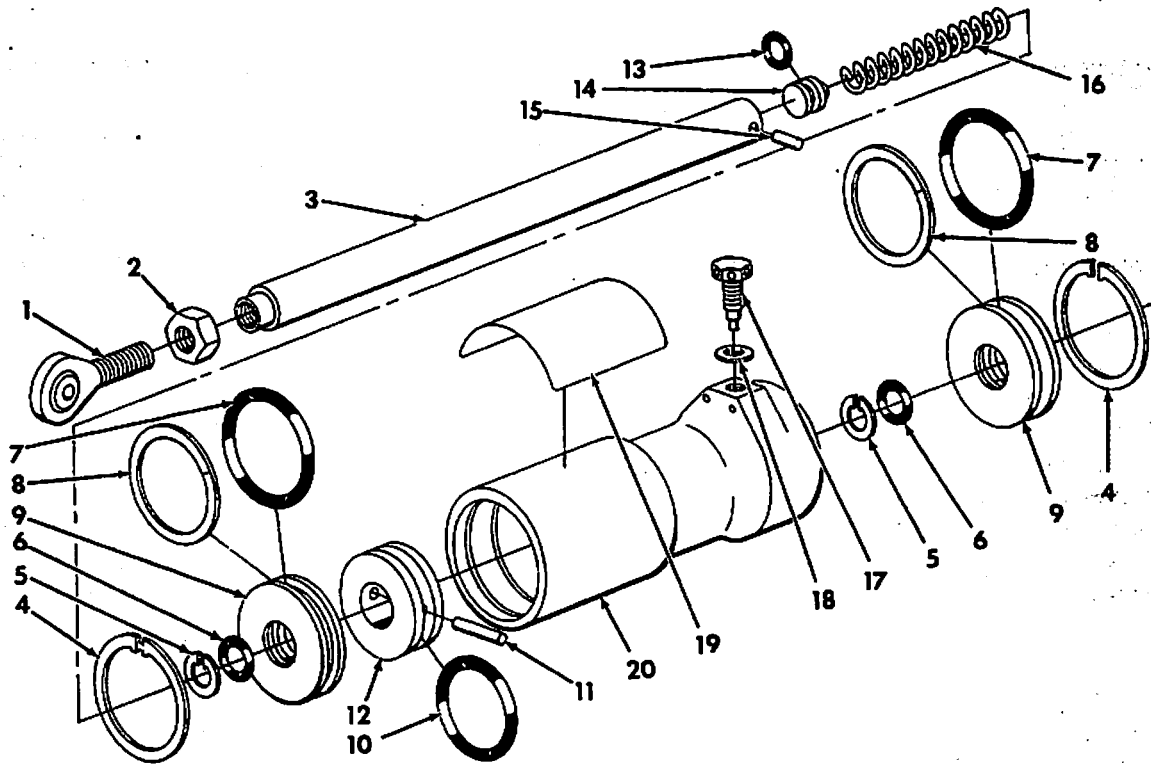
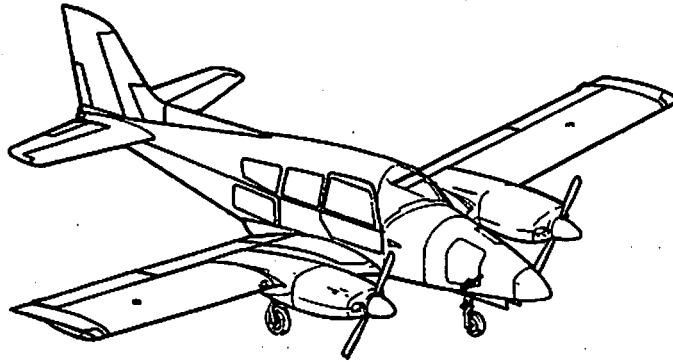
GRUMMAN AMERICAN AVIATION
GA-7/COUGAR
ILLUSTRATED PARTS CATALOG

Figure & Index No.	Part Number	Nomenclature	Units							Usable On Code	
			1	2	3	4	5	6	7		
32- 6 -	7L10202-3	TRUNNION AND OLEO ASSEMBLY, NOSE LANDING GEAR.... (SEE FIGURE 32-1 FOR NHA)								RF	
- 1	7L10205-3	.SHIMMY DAMPER ASSEMBLY, NOSE LANDING GEAR..... (SEE FIGURE 32-7 FOR DETAIL BREAKDOWN) (ATTACHING PARTS)								1	
- 2	MS24665-134	.PIN, COTTER.....								2	
- 3	AN174-10	.BOLT, CLOSE TOLERANCE.....								1	
- 4	AN174-20	.BOLT, CLOSE TOLERANCE.....								1	
- 5	AN960-416	.WASHER, FLAT.....								3	
- 6	AN310-4	.NUT, CASTELLATED.....								2	
	7LM10218-3	.ARM ASSEMBLY, NOSE LANDING GEAR STEERING..... (SEE FIGURE 32-1 FOR NHA) (ATTACHING PARTS)								1	
- 7	AN6-21A	.BOLT, AIRCRAFT.....								1	
- 8	AN960-416	.WASHER, FLAT.....								1	
- 9	AN960-C416L	.WASHER, FLAT.....								1	
- 10	TT-400	.WASHER, THRUST (70417).....								1	
- 11	AA-304-24	.BUSHING (70417).....								2	
- 12	AA-304-35	.BUSHING (70417).....								4	
- 13	7LM10218-13	.ARM, STEERING.....								1	
	7LM10215-3	.STEERING ARM COLLAR ASSEMBLY..... (ATTACHING PARTS)								1	
- 14	AN6-42A	.BOLT, AIRCRAFT.....								1	
- 15	AN960-616	.WASHER, NUT.....								1	
- 16	MS20365-624C	.NUT, SELF-LOCKING.....								1	
- 17	7LM10258-11	.BUSHING, SHOULDER.....								1	
- 18	3591-4CN-3375	.INSERT, HELI-COIL (01556).....								1	
- 19	7LM10215-13	.COLLAR, STEERING ARM.....								1	
- 20	7LM10243-11	.SHIM, THRUST BEARING, NOSE LANDING GEAR.....								AR	
- 21	TRA5266	.WASHER, THRUST (80657).....								2	
- 22	NTA5266	.ROLLER, THRUST (80657).....								2	
- 23	TRD5266	.WASHER, THRUST (80657).....								2	
- 24	WJ525816	.BEARING, ROLLER (80657).....								2	
- 25	NAS516-1	.FITTING, LUBRICATION.....								2	
- 26	3585-2CNO328	.INSERT, THREADED (01556).....								1	
- 27	7LM10216-11	.PIN, PIVOT, DRAG BRACE, NOSE LANDING GEAR..... (ATTACHING PARTS)								1	
- 28	AN3-17A	.BOLT, AIRCRAFT.....								1	
- 29	AN960-10	.WASHER, FLAT.....								1	
- 30	MS20365-1032C	.NUT, SELF-LOCKING.....								1	
- 31	7L10217-1	.BRACKET ASSEMBLY, SHIMMY DAMPER..... (ATTACHING PARTS)								1	
- 32	AN3-10A	.BOLT, AIRCRAFT.....								1	
- 33	AN960-10	.WASHER, FLAT.....								1	
- 34	MS20365-1032C	.NUT, SELF-LOCKING.....								1	
- 35	MS24665-134	.PIN, COTTER.....								1	
- 36	NAS464P5-20	.BOLT, CLOSE TOLERANCE.....								1	
- 37	TW31	.WASHER, FLAT (71366).....								1	
- 38	AN960-516	.WASHER, FLAT.....								AR	
- 39	AN320-5	.NUT, CASTELLATED.....								1	
	7LM10223-3	.SCISSORS ASSEMBLY, LANDING GEAR..... (ATTACHING PARTS)								2	
- 40	MS24665-134	.PIN, COTTER.....								1	
- 41	NAS464P5-48	.BOLT, CLOSE TOLERANCE.....								1	
- 42	AN960-516	.WASHER, FLAT.....								AR	

GRUMMAN AMERICAN AVIATION
GA-7/COUGAR
ILLUSTRATED PARTS CATALOG

Figure & Index No.	Part Number	Nomenclature	Units	Usable On Code
			Per Assy.	
		1 2 3 4 5 6 7		
32- 6 - 43	AN320-5	.NUT, CASTELLATED.....	1	
- 44	FF411-2	..BEARING (70417).....	1	
- 45	7LM10223-13	..SCISSOR, MACHINED.....	1	
- 46	7L10289-11	.PLATE, INSTRUCTION.....	1	
- 47	7L10244-11	.PLATE, IDENTIFICATION.....	1	
	7LM10210-3	.TRUNNION ASSEMBLY, NOSE LANDING GEAR.....	1	
- 48	7LM10285-11	..BUSHING.....	2	
- 49	7LM10242-11	..RACE, BEARING, OUTER.....	2	
- 50	7LM10210-13	..TRUNNION, NOSE LANDING GEAR.....	1	
- 51	7LM10221-13	.AXLE, WHEEL, LANDING GEAR.....	1	
		(ATTACHING PARTS)		
- 52	NAS586-19	.BOLT, FLAT HEAD.....	4	
- 53	AN960-616	.WASHER, FLAT.....	4	
- 54	MS20365-624C	.NUT, SELF-LOCKING.....	4	
- 55	7L10203-3	.STRUT ASSEMBLY, NOSE LANDING GEAR (SEE.....	1	
		FIGURE 32-8 FOR DETAIL BREAKDOWN)		
- 56	7L10273-1	.BUNGEE ASSEMBLY, NOSE LANDING GEAR STEERING.....	2	
		(SEE FIGURE 32-5 FOR DETAIL BREAKDOWN)		
		(ATTACHING PARTS)		
- 57	NAS1304-19D	.BOLT, AIRCRAFT.....	1	
- 58	AN960-416	.WASHER, FLAT.....	1	
- 59	AN310-4	.NUT, CASTELLATED.....	1	
- 60	MS24665-132	.PIN, COTTER.....	1	

GRUMMAN AMERICAN AVIATION
GA-7/COUGAR
ILLUSTRATED PARTS CATALOG



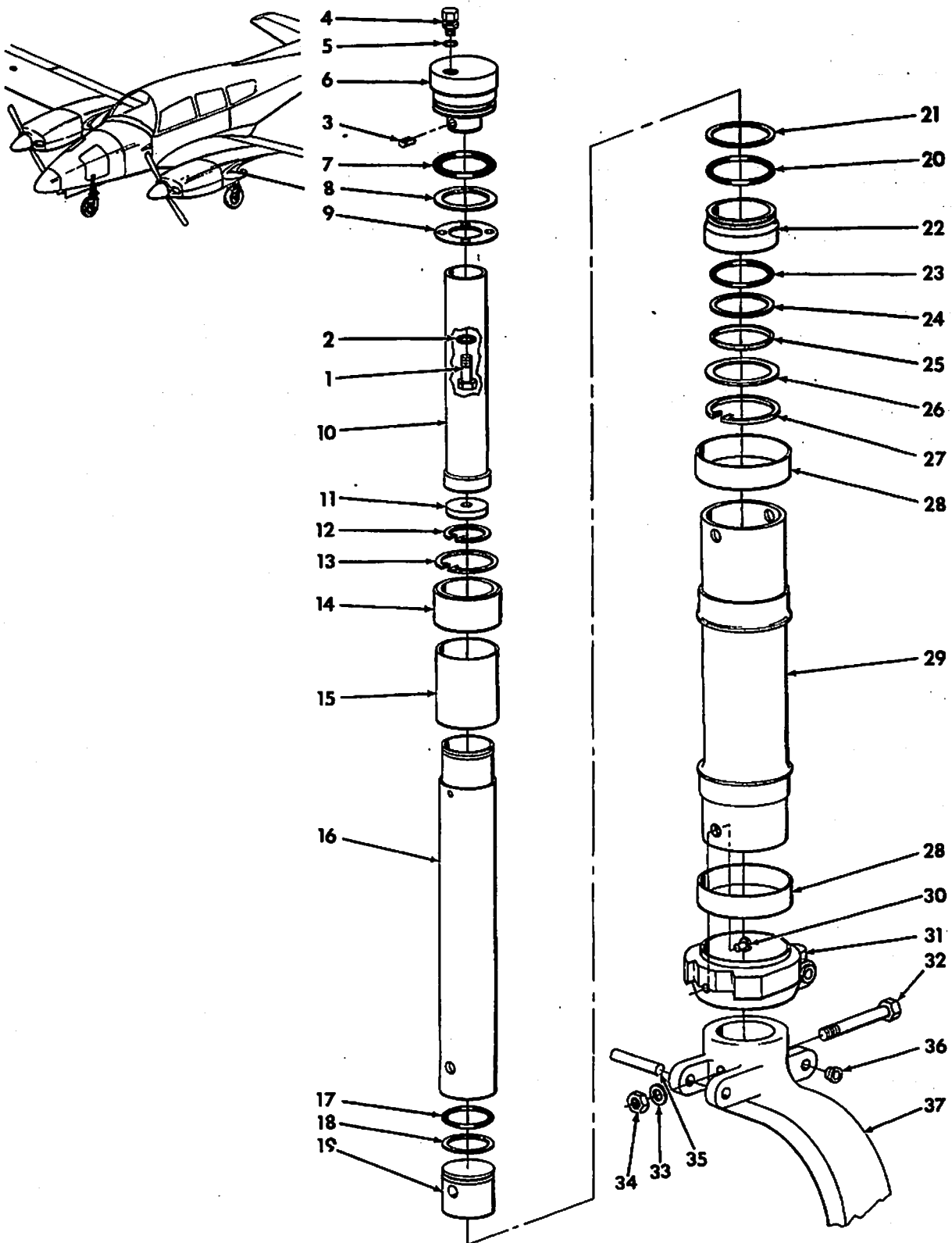
Nose Landing Gear Shimmy Damper Assembly
Figure 32-7

32G74-07-1

GRUMMAN AMERICAN AVIATION
GA-7/COUGAR
ILLUSTRATED PARTS CATALOG

Figure & Index No.	Part Number	Nomenclature							Units Per Assy	Usable On Code
		1	2	3	4	5	6	7		
32- 7 -	7L10205-3	SHIMMY DAMPER ASSEMBLY, NOSE LANDING GEAR.....							RF	
		(SEE FIGURE 32-6 FOR NHA)								
- 1	HMX-46	.ROD END (73134).....							1	
- 2	A316-5	.NUT, HEX HEAD, JAM.....							1	
- 3	7LM10245-11	.ROD, SHIMMY DAMPER.....							1	
- 4	MS16625-1137	.RING, RETAINING.....							2	
- 5	MS28774-112	.RING, BACKUP.....							2	
- 6	MS28775-112	.PACKING, PREFORMED.....							2	
- 7	MS28775-216	.PACKING, PREFORMED.....							2	
- 8	MS28774-216	.RING, BACKUP.....							2	
- 9	7LM10247-11	.BEARING HEAD, SHIMMY DAMPER.....							2	
- 10	MS28775-214	.PACKING, PREFORMED.....							1	
- 11	MS16562-29	.PIN, RETAINING.....							1	
- 12	7LM10246-11	.PISTON, SHIMMY DAMPER.....							1	
- 13	MS28775-010	.PACKING, PREFORMED.....							1	
- 14	7LM10249-11	.PISTON, PRESSURE.....							1	
- 15	MS16562-27	.PIN, RETAINING.....							1	
- 16	9-0612-11	.SPRING, COMPRESSION.....							1	
- 17	NAS563-11	.BOLT.....							1	
- 18	MS35769-1	.WASHER, SEAL.....							1	
- 19	7L10244-11	.PLATE, IDENTIFICATION.....							1	
- 20	7LM10248-11	.HOUSING, SHIMMY DAMPER.....							1	

GRUMMAN AMERICAN AVIATION
GA-7/COUGAR
ILLUSTRATED PARTS CATALOG



Nose Landing Gear Strut Assembly
Figure 32-8

32074-08-1

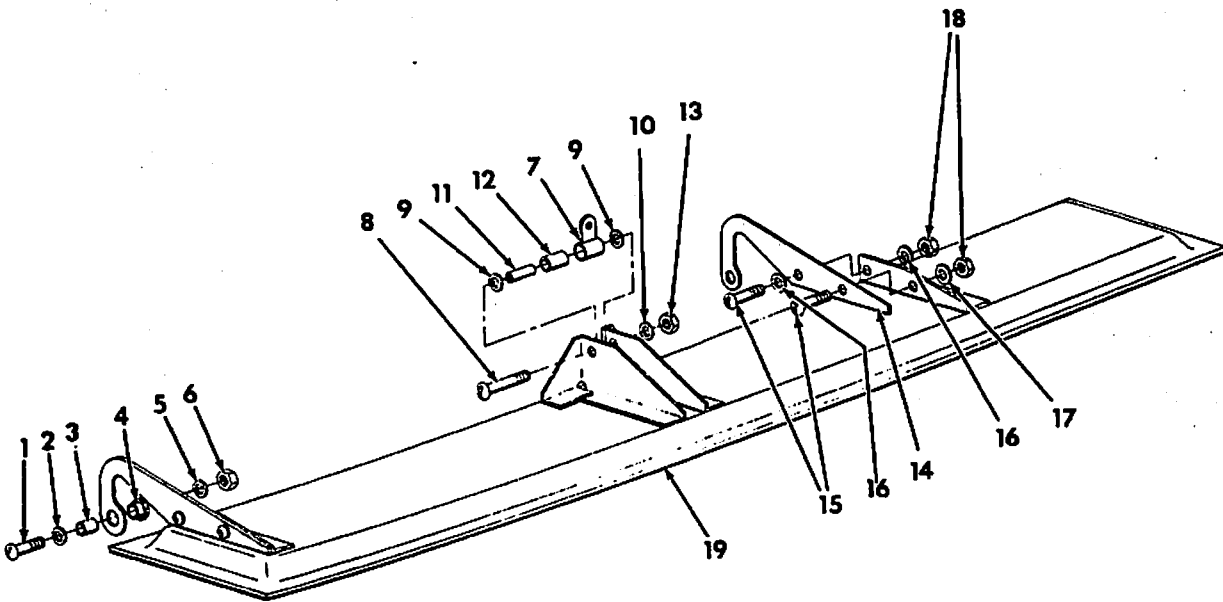
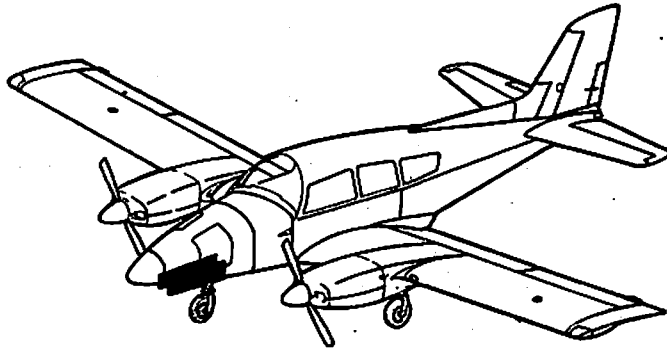
GRUMMAN AMERICAN AVIATION

GA-7/COUGAR

ILLUSTRATED PARTS CATALOG

Figure & Index No.	Part Number	Nomenclature	Units Per Assy	Usable On Code		
					1	2
32- 8 -	7L10203-3	STRUT ASSEMBLY, NOSE LANDING GEAR (SEE FIGURE.... 32-6 FOR NHA)	RF			
- 1	AN4-7A	.BOLT, AIRCRAFT.....	1			
- 2	NAS1523AA4B	.SEAL.....	1			
- 3	SL42-4	.NUT, BARREL.....	1			
- 4	VS743	.VALVE, AIR (09498).....	1			
- 5	MS28778-2	.PACKING, PREFORMED.....	1			
- 6	7LM10232-5	.PLUG ASSEMBLY, UPPER CLOSEOUT, LANDING GEAR.....	1			
- 7	MS28775-139	.PACKING, PREFORMED.....	1			
- 8	MS28774-139	.RING, BACKUP.....	1			
- 9	7LM10231-11	.PLATE, STOP, LANDING GEAR.....	1			
- 10	7LM10229-11	.TUBE, ORIFICE SUPPORT.....	1			
- 11	7LM10230-13	.ORIFICE, LANDING GEAR.....	1			
- 12	MS16625-1131	.RING, RETAINING.....	1			
- 13	MS16624-1181	.RING, RETAINING.....	1			
- 14	7LM10226-13	.BEARING, PISTON, LANDING GEAR.....	1			
- 15	7LM10227-11	.SLEEVE, LANDING GEAR.....	1			
- 16	7LM10225-11	.PISTON, STRUT, LANDING GEAR.....	1			
- 17	MS28775-126	.PACKING, PREFORMED.....	1			
- 18	MS28774-126	.RING, BACKUP.....	1			
- 19	7LM10224-11	.PLUG, LOWER CLOSEOUT.....	1			
- 20	MS28775-141	.PACKING, PREFORMED.....	1			
- 21	MS28774-141	.RING, BACKUP.....	1			
- 22	7LM10228-11	.BEARING, LOWER.....	1			
- 23	MS28775-329	.PACKING, PREFORMED.....	1			
- 24	MS28774-329	.RING, BACKUP.....	1			
- 25	MS28776-21	.SCRAPER.....	1			
- 26	7LM10233-11	.SPACER, LANDING GEAR.....	1			
- 27	MS16625-1262	.RING, RETAINER.....	1			
- 28	7LM10219-11	.BEARING, INNER RACE.....	1			
- 29	7LM10213-11	.TUBE, INNER, NOSE LANDING GEAR.....	1			
- 30	7LM10214-11	.PIN, NOSE LANDING GEAR.....	1			
- 31	7LM10212-3	.COLLAR, NOSE GEAR.....	1			
- 32	NAS464-P6A47	.BOLT, AIRCRAFT.....	1			
- 33	AN960-616	.WASHER, FLAT.....	1			
- 34	MS20364-624C	.NUT, SELF-LOCKING.....	1			
	7LM10300-3	.YOKE ASSEMBLY, LANDING GEAR.....	1			
- 35	MS9390-820	.PIN, STEEL.....	2			
- 36	FF411-1	.BUSHING (70417).....	2			
- 37	7LM10300-13	.YOKE, LANDING GEAR.....	1			

GRUMMAN AMERICAN AVIATION
GA-7/COUGAR
ILLUSTRATED PARTS CATALOG



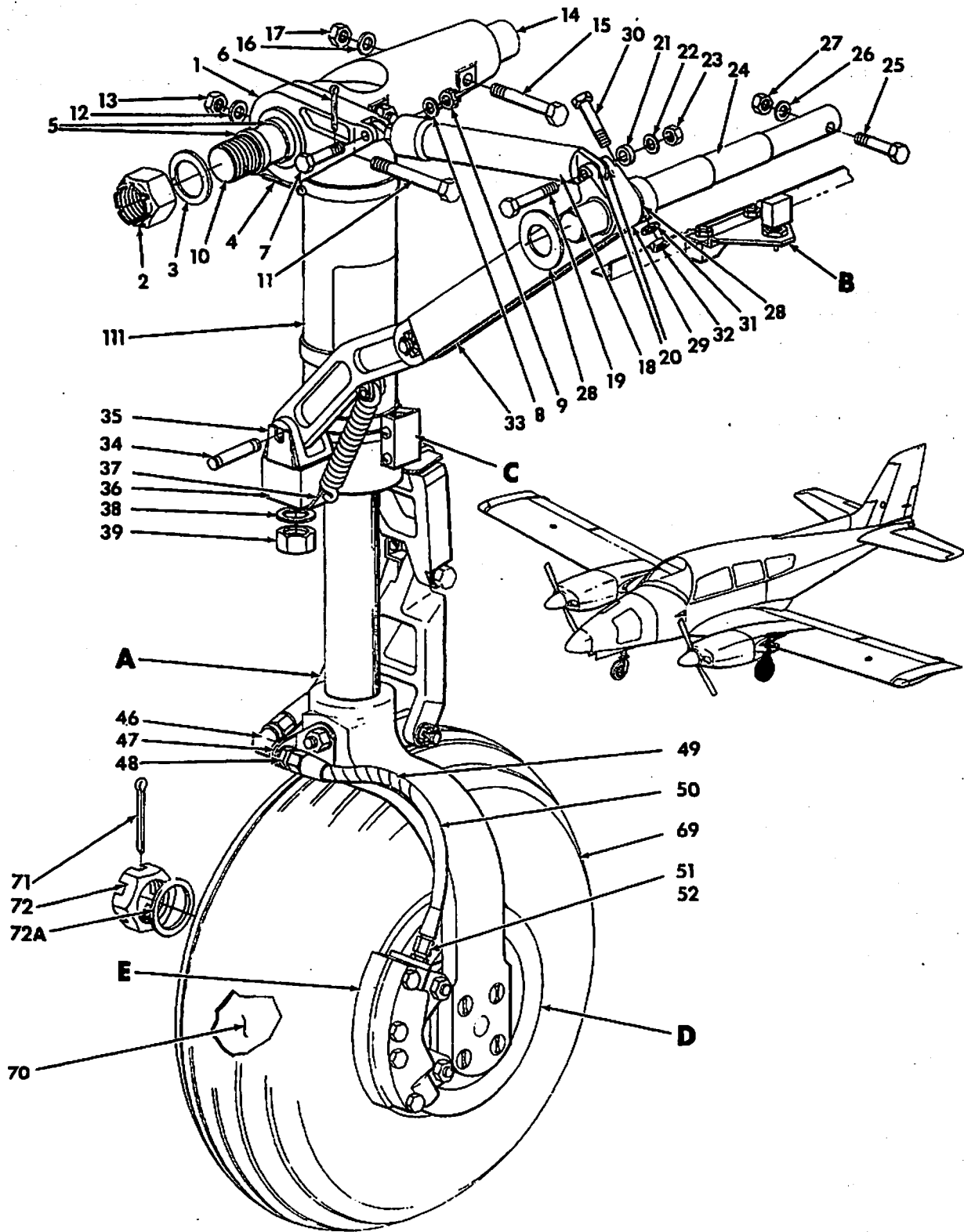
Nose Gear Door Installation
Figure 32-9

32074-08-1

GRUMMAN AMERICAN AVIATION
GA-7/COUGAR
ILLUSTRATED PARTS CATALOG

Figure & Index No.	Part Number	Nomenclature	Units Per Assy	Usable On Code	
					1 2 3 4 5 6 7
32- 9 -	7B11400-1	NOSE LANDING GEAR DOOR INSTALLATION, (LEFT..... HAND SIDE) (SEE FIGURE 32-1 FOR NHA)	1		
	7B11400-2	NOSE LANDING GEAR DOOR INSTALLATION, (RIGHT..... HAND SIDE) (SEE FIGURE 32-1 FOR NHA)	1		
	7B11400-7	.DOOR ASSEMBLY, NOSE LANDING GEAR (LH SIDE).....	1		
	7B11400-8	.DOOR ASSEMBLY, NOSE LANDING GEAR (RH SIDE)..... (ATTACHING PARTS)	1		
	- 1	AN23-10	.BOLT,CLEVIS.....	1	
	- 2	AN960-516	.WASHER,FLAT.....	1	
	- 3	7B11400-35	.SPACER,NOSE GEAR.....	1	
	- 4	7B11400-33	.BUSHING,NOSE GEAR.....	1	
	- 5	AN960-10	.WASHER,FLAT.....	1	
	- 6	MS21083N3	.NUT,SELF-LOCKING.....	1	
	- 7	7B10400-9	..LUG ASSEMBLY,NOSE GEAR..... (ATTACHING PARTS)	1	
	- 8	AN23-22	..BOLT,CLEVIS.....	1	
	- 9	AN960-516	..WASHER,FLAT.....	2	
	- 10	AN960-10	..WASHER,FLAT.....	1	
	- 11	7B11400-37	..SPACER,NOSE GEAR.....	1	
	- 12	AA-401-5	..BUSHING (70417).....	1	
	- 13	MS21083N3	..NUT,SELF LOCKING.....	1	
	- 14	7B11400-31	..HINGE,NOSE GEAR..... (ATTACHING PARTS)	2	
	- 15	MS27039-1-9	..SCREW,MACHINE.....	2	
- 16	MS35335-12	..WASHER,LOCK.....	2		
- 17	AN960-10	..WASHER,FLAT.....	1		
- 18	MS21083N3	..NUT,SELF-LOCKING.....	2		
- 19	7B11400-5	..BOND ASSEMBLY,NOSE GEAR.....	1		

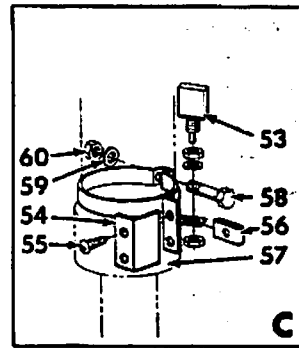
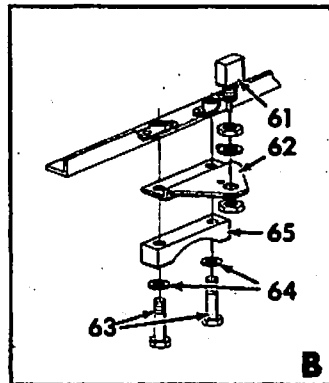
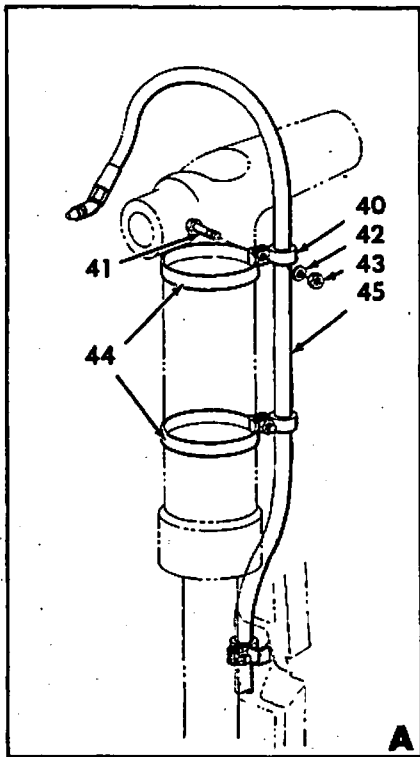
GRUMMAN AMERICAN AVIATION
GA-7/COUGAR
ILLUSTRATED PARTS CATALOG



Main Landing Gear Installation
 Figure 32-10 (Sheet 1 of 4)

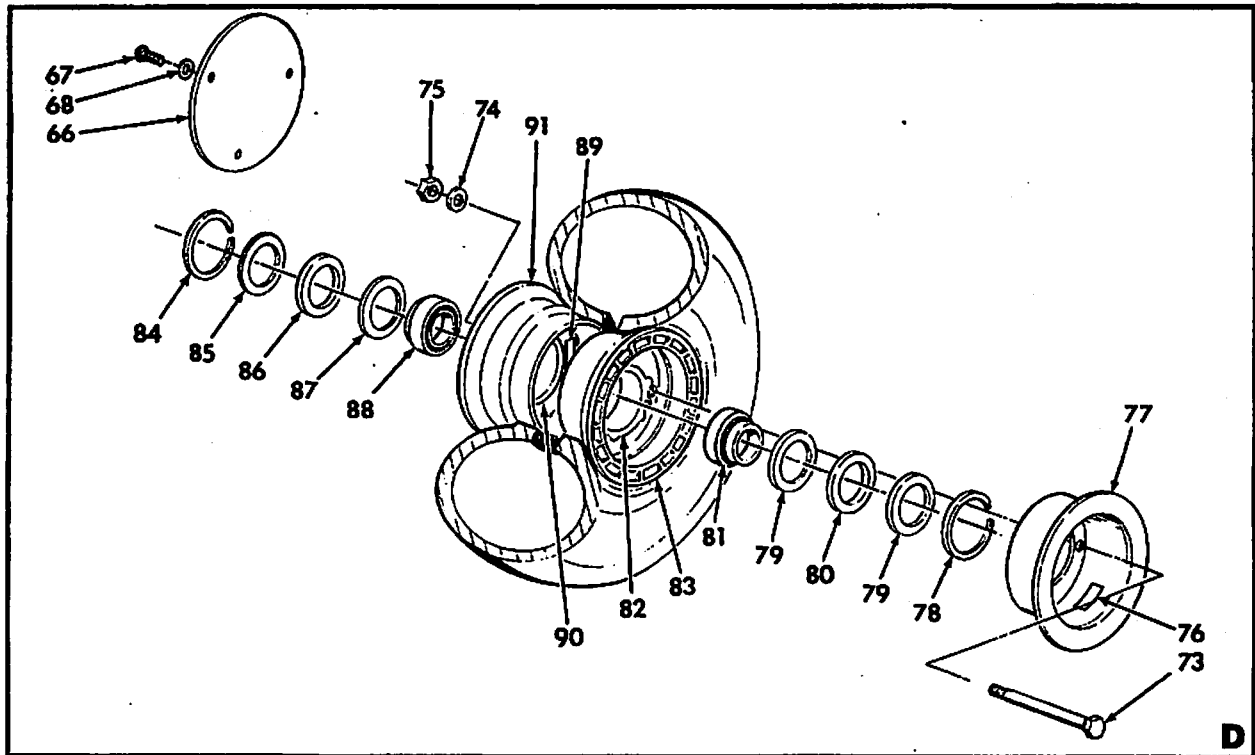
32G74-10-1

GRUMMAN AMERICAN AVIATION
GA-7/COUGAR
ILLUSTRATED PARTS CATALOG



Main Landing Gear Installation
Figure 32-10 (Sheet 2 of 4)

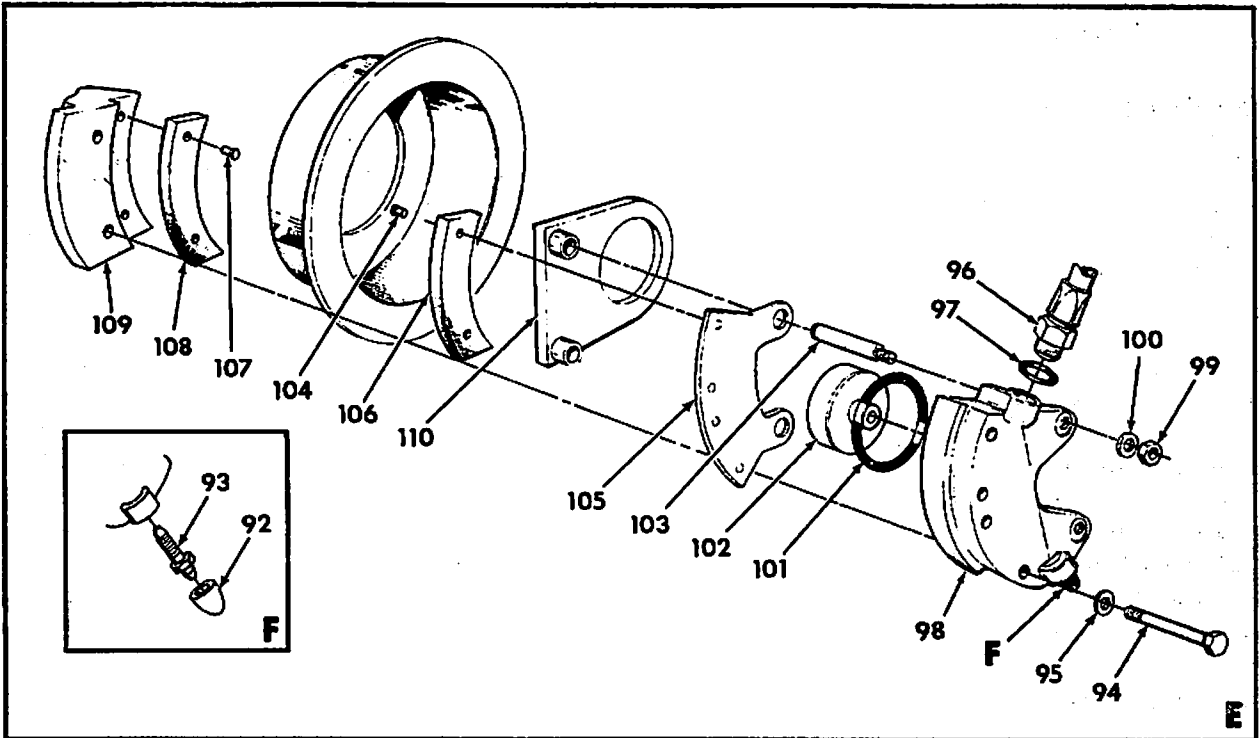
32G74-10-2



Main Landing Gear Installation
Figure 32-10 (Sheet 3 of 4)

32G74-10-3

GRUMMAN AMERICAN AVIATION
GA-7/COUGAR
ILLUSTRATED PARTS CATALOG



Main Landing Gear Installation
Figure 32-10 (Sheet 4 of 4)

32074-104

GRUMMAN AMERICAN AVIATION
GA-7/COUGAR
ILLUSTRATED PARTS CATALOG

Figure & Index No.	Part Number	Nomenclature	Units	Usable
			Per Assy	On Code
		1 2 3 4 5 6 7		
32-10 -	7L10100-1	MAIN LANDING GEAR INSTALLATION (LH SIDE).....	RF	
	7L10100-2	MAIN LANDING GEAR INSTALLATION (RH SIDE).....	RF	
- 1	7LM10111-13	.ARM, ACTUATOR..... (ATTACHING PARTS)	1	
- 2	AN310-15	.NUT, CASTELLATED.....	1	
- 3	AN960-1616L	.WASHER, FLAT.....	1	
- 4	MS24665-357	.PIN, COTTER.....	1	
- 5	7LM10115-11	.SPACER, TRUNNION, LANDING GEAR.....	2	
- 6	MS24665-132	.PIN, COTTER.....	1	
- 7	AN5-15A	.BOLT, AIRCRAFT.....	1	
	AN5-12	.BOLT, AIRCRAFT (ALTERNATE FOR AN5-15A).....	1	
- 8	AN960-516	.WASHER, FLAT.....	1	
- 9	AN320-5	.NUT, CASTELLATED.....	1	
- 10	7LM10116-11	.PIN, FORWARD, TRUNNION, MLG..... (ATTACHING PARTS)	1	
- 11	AN6-33A	.BOLT, AIRCRAFT.....	1	
- 12	AN960-616	.WASHER, FLAT.....	1	
- 13	MS20364-624C	.NUT, SELF-LOCKING.....	1	
- 14	7LM10117-11	.PIN, AFT, TRUNNION, MLG..... (ATTACHING PARTS)	1	
- 15	A6-31A	.BOLT, AIRCRAFT.....	1	
- 16	AN960-616	.WASHER, FLAT.....	1	
- 17	MS20365-624C	.NUT, SELF-LOCKING.....	1	
- 18	7L10102-3	.ACTUATOR ASSEMBLY, LANDING GEAR (SEE FIGURE..... 32-2 FOR DETAIL BREAKDOWN) (ATTACHING PARTS)	1	
- 19	AN4-15A	.BOLT, AIRCRAFT.....	1	
- 20	AN960-416L	.WASHER, FLAT.....	2	
- 21	NA575-4-007	.SPACER.....	1	
- 22	AN960-416	.WASHER, FLAT.....	1	
- 23	MS20364-428C	.NUT, SELF-LOCKING.....	1	
- 24	7LM10118-11	.SUPPORT TUBE, MLG/WING INTERFACE..... (ATTACHING PARTS)	1	
- 25	AN3-20A	.BOLT, AIRCRAFT.....	1	
- 26	AN960-10L	.WASHER, FLAT.....	1	
- 27	MS20364-1032C	.NUT, SELF-LOCKING.....	1	
- 28	MS20002-18	.WASHER, FLAT.....	2	
- 29	7LM10119-11	.RETAINER, LANDING GEAR SUPPORT TUBE..... (ATTACHING PARTS)	1	
- 30	AN3-20A	.BOLT, AIRCRAFT.....	1	
- 31	AN960-10L	.WASHER, FLAT.....	1	
- 32	MS20364-1032C	.NUT, SELF-LOCKING.....	1	
- 33	7L10103-3	.BRACE ASSEMBLY, LANDING GEAR (LH SIDE) (SEE..... FIGURE 32-3 FOR DETAIL BREAKDOWN)	1	
	7L10103-4	.BRACE ASSEMBLY, LANDING GEAR (RH SIDE) (SEE..... FIGURE 32-3 FOR DETAIL BREAKDOWN) (ATTACHING PARTS)	1	
- 34	7LM10121-13	.PIN, CLEVIS.....	1	
- 35	7L10122-11	.RETAINER, PIN.....	1	
- 36	7LM10112-11	.CLEVIS, SIDE BRACE.....	1	
- 37	7L10146-11	.RETAINER, SPRING.....	1	
- 38	AN960-916	.WASHER, FLAT.....	1	
- 39	MS20365-918C	.NUT, SELF-LOCKING.....	1	

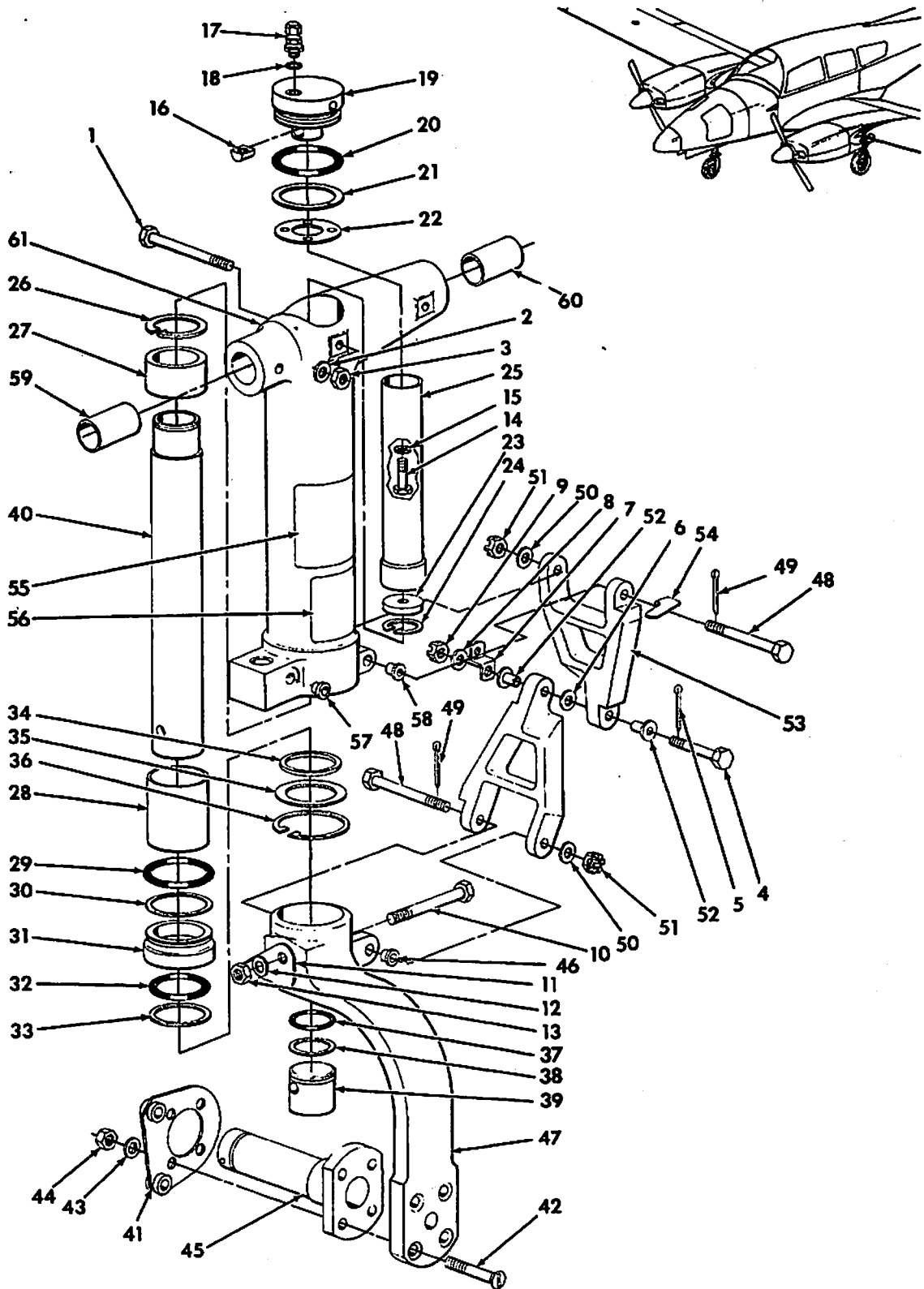
GRUMMAN AMERICAN AVIATION
GA-7/COUGAR
ILLUSTRATED PARTS CATALOG

Figure & Index No.	Part Number	Nomenclature 1 2 3 4 5 6 7	Units Per Assy	Usable On Code
32-10 - 40	MS21919DG8	.CLAMP, LOOP..... (ATTACHING PARTS)	3	
- 41	AN3-3A	.BOLT, AIRCRAFT.....	1	
- 42	AN960-10	.WASHER, FLAT.....	1	
- 43	MS20365-1032C	.NUT, SELF-LOCKING.....	1	
- 44	GC501K-325H2	.CLAMP, T-BOLT LATCH.....	2	
- 45	MS28741-4-0380	.HOSE ASSEMBLY, WHEEL BRAKE LINING, MLG.....	1	
- 46	AN833-4K	.ELBOW.....	1	
- 47	AN960C716	.WASHER, FLAT.....	1	
- 48	AN924-4K	.NUT, BULKHEAD.....	1	
- 49	500002-2	.SPIRAP (NATURAL) (02660).....	AR	
- 50	MS28741-4-0110	.HOSE ASSEMBLY, WHEEL BRAKE, MLG.....	1	
- 51	AN815-4D	.UNION.....	1	
- 52	MS28778-4	.PACKING, PREFORMED.....	1	
- 53	65-430139	.SWITCH (LH ONLY) (04426).....	1	
- 54	7LM10152-11	.COVER, SQUAT SWITCH (LH ONLY)..... (ATTACHING PARTS)	1	
- 55	GAES102126-6	.SCREW, SELF-TAPPING (LH ONLY).....	2	
- 56	A1784-6Z-1	.NUTPLATE (LH ONLY).....	2	
- 57	7LM10150-1	.CLAMP ASSEMBLY, SQUAT SWITCH (LH ONLY)..... (ATTACHING PARTS)	1	
- 58	AN3-6A	.BOLT, AIRCRAFT (LH ONLY).....	1	
- 59	AN960-10	.WASHER, FLAT (LH ONLY).....	1	
- 60	MS20365-032C	.NUT, SELF-LOCKING (LH ONLY).....	1	
- 61	65-430130	.SWITCH (04426).....	1	
- 62	7L10262-19	.BRACKET, SWITCH, DOOR CLOSING MECHANISM..... (ATTACHING PARTS)	1	
- 63	AN3-7A	.BOLT, AIRCRAFT.....	1	
- 64	AN960-10L	.WASHER, FLAT.....	2	
- 65	7L10262-27	.BLOCK, UP STOP, DOOR CLOSING MECHANISM.....	1	
- 66	13-701007-1	.CAP, FAIRING..... (ATTACHING PARTS)	1	
- 67	MS35206-258	.SCREW, MACHINE.....	3	
- 68	AN936-A10	.WASHER, TOOTH LOCK.....	3	
- 69	6.00X6X6PLY	.TIRE, TYPE 3, 6-PLY RATING.....	1	
- 70	6.00X6 40-90	.TUBE, TIRE, TYPE 3..... .WHEEL ASSEMBLY, LANDING GEAR (71513)..... (ATTACHING PARTS)	1 1 1	
- 71	MS24665-360	.PIN, COTTER.....	1	
- 72	MS21025-24	.NUT, WHEEL.....	1	
- 72A	7LM10115-15	.SPACER.....	1	
- 73	AN5-36A	.BOLT, AIRCRAFT.....	3	
- 74	AN960-316	.WASHER, FLAT.....	9	
- 75	AN365-524	.NUT, CASTELLATED.....	3	
- 76	166-02900	.PLATE, INSTRUCTION (71513).....	1	
- 77	164-02201	.BRAKE DISC ASSEMBLY (71513).....	1	
- 78	155-03100	.RING, RETAINING (71513).....	1	
- 79	153-00400	.RING, GREASE SEAL (71513).....	2	
- 80	154-00300	.FELT, GREASE SEAL (71513).....	1	
- 81	214-00200	.BEARING, ROLLER (71513).....	1	
- 81	161-03000	.WHEEL HALF ASSEMBLY, INNER (71513).....	1	
- 82	214-00100	.CUP-BEARING (71513).....	1	

GRUMMAN AMERICAN AVIATION
GA-7/COUGAR
ILLUSTRATED PARTS CATALOG

Figure & Index No.	Part Number	Nomenclature	Units Per Assy	Usable On Code
32-10 - 83	151-02600	...WHEEL HALF, INNER (71513).....	1	
- 84	155-00100	..RING,RETAINING (71513).....	1	
- 85	153-01500	..RING,GREASE SEAL (71513).....	1	
- 86	154-01300	..FELT,GREASE SEAL (71513).....	1	
- 87	153-03000	..RING,GREASE SEAL (71513).....	1	
- 88	214-00200	..BEARING,ROLLER (71513).....	1	
- 89	166-02100	..PLATE, IDENTIFICATION (71513).....	1	
	162-02700	..WHEEL HALF ASSEMBLY, OUTER (71513).....	1	
- 90	214-00100	..CUP-BEARING (71513).....	1	
- 91	152-02400	..WHEEL HALF, OUTER (71513).....	1	
	30-238	..BRAKE ASSEMBLY, LANDING GEAR (71513).....	OA	
- 92	183-00100	..CAP, BLEECER (71513).....	1	
- 93	081-00200	..SEAT, BLEEDER (71513).....	1	
- 94	AN4H-16A	..BOLT, AIRCRAFT.....	4	
- 95	AN916-416L	..WASHER, FLAT.....	4	
- 96	AN815-4D	..UNION.....	1	
- 97	M528778-4	..PACKING, PREFORMED.....	1	
- 98	061-01000	..CYLINDER, BRAKE (71513).....	1	
		(ATTACHING PARTS)		
- 99	AN364-624	..NUT, SELF-LOCKING.....	2	
-100	AN960-616L	..WASHER, FLAT.....	2	
		-----*		
-101	AN6227-27	..PACKING, PREFORMED.....	2	
-102	062-00700	..PISTON (71513).....	2	
-103	069-00200	..BOLT, ANCHOR (71513).....	2	
	073-00600	..PRESSURE PLATE ASSEMBLY, BRAKE (71513).....	1	
-104	177-00300	..PIN, PRESSURE PLATE (71513).....	4	
-105	063-00600	..PRESSURE PLATE, BRAKE (71513).....	1	
-106	066-01500	..LINING, PRESSURE PLATE (71513).....	1	
	074-00600	..BACK PLATE ASSEMBLY, BRAKE (71513).....	1	
-107	177-00300	..PIN, BACK PLATE (71513).....	4	
-108	066-01900	..LINING, BACK PLATE (71513).....	2	
-109	064-00500	..BACK PLATE, BRAKE (71513).....	1	
-110	075-02100	..TORQUE PLATE ASSEMBLY, BRAKE (71513).....	1	
-111	7L10101-3	..MAIN LANDING GEAR ASSEMBLY (LH SIDE) (SEE.....	1	
		FIGURE 32-11 FOR DETAIL BREAKDOWN)		
	7L10101-4	..MAIN LANDING GEAR ASSEMBLY (RH SIDE) (SEE.....	1	
		FIGURE 32-11 FOR DETAIL BREAKDOWN)		

GRUMMAN AMERICAN AVIATION
GA-7/COUGAR
ILLUSTRATED PARTS CATALOG



Main Landing Gear Assembly
Figure 32-11

32G74-11-1

GRUMMAN AMERICAN AVIATION
GA-7/COUGAR
ILLUSTRATED PARTS CATALOG

Figure & Index No.	Part Number	Nomenclature	Units Per Assy	Usable On Code
32-11	7L10101-3	MAIN LANDING GEAR ASSEMBLY (LH SIDE) (SEE.....	RF	
	7L10101-4	MAIN LANDING GEAR ASSEMBLY (RH SIDE) (SEE.....	RF	
- 1	AN6H36A	.BOLT, AIRCRAFT.....	1	
- 2	AN960-616	.WASHER, FLAT.....	1	
- 3	MS20364-624C	.NUT, SELF-LOCKING.....	1	
- 4	NAS464P5-20	.BOLT, AIRCRAFT.....	1	
- 5	MS24665-134	.PIN, COTTER.....	1	
- 6	TW31	.WASHER, FLAT (71366).....	1	
- 7	7L10294-11	.CLIP.....	1	
- 8	AN960-516	.WASHER, FLAT.....	1	
- 9	AN320-5	.NUT, CASTELLATED.....	1	
- 10	NAS464P6A47	.BOLT, AIRCRAFT.....	1	
- 11	7L10294-14	.CLIP, HOSE INSTALLATION.....	1	
- 12	AN960-616	.WASHER, FLAT.....	1	
- 13	MS20364-624C	.NUT, SELF-LOCKING.....	1	
- 14	AN4-7A	.BOLT.....	1	
- 15	NAS1523AA40	.SEAL.....	1	
- 16	SL42-4	.NUT, BARREL.....	1	
- 17	VS743	.VALVE, AIR (09498).....	1	
- 18	MS28778-2	.PACKING, PREFORMED.....	1	
- 19	7LM10222-3	.PLUG ASSEMBLY, UPPER CLOSEOUT, LANDING GEAR.....	1	
- 20	MS28775-139	.PACKING, PREFORMED.....	1	
- 21	MS28774-139	.RING, BACKUP.....	1	
- 22	7LM10231-11	.PLATE, STOP, LANDING GEAR.....	1	
- 23	7LM10230-13	.ORIFICE, LANDING GEAR.....	1	
- 24	MS16625-1131	.RING, RETAINING.....	1	
- 25	7LM10229-11	.TUBE, ORIFICE, LANDING GEAR.....	1	
- 26	MS16624-1181	.RING, RETAINING.....	1	
- 27	7LM10226-13	.BEARING, PISTON, LANDING GEAR.....	1	
- 28	7LM10227-11	.SLEEVE, LANDING GEAR.....	1	
- 29	MS28775-141	.PACKING, PREFORMED.....	1	
- 30	MS28774-141	.RING, BACKUP.....	1	
- 31	7LM10228-11	.BEARING, LOWER, LANDING GEAR.....	1	
- 32	MS28775-329	.PACKING, PREFORMED.....	1	
- 33	MS28774-329	.RING, BACKUP.....	1	
- 34	MS28776M2-26	.SCRAPER.....	1	
- 35	7LM1023382-011	.SPACER, LANDING GEAR.....	1	
- 36	MS16625-1262	.RING, RETAINING.....	1	
- 37	MS28775-126	.PACKING, PREFORMED.....	1	
- 38	MS28774-126	.RING, BACKUP.....	1	
- 39	7L10224-11	.PLUG, LOWER CLOSEOUT, LANDING GEAR.....	1	
- 40	7LM10225-11	.PISTON, CLEC STPUT, LANDING GEAR.....	1	
- 41	075-0580	.TORQUE PLATE ASSMBLY, LANDING GEAR (71513).....	1	
		(ATTACHING PARTS)		
- 42	NAS586-21	.BOLT, FLAT HEAD.....	4	
- 43	AN960-616	.WASHER, FLAT.....	4	
- 44	MS20365-624C	.NUT, SELF-LOCKING.....	4	

- 45	7LM10221-13	.AXLE, WHEEL, LANDING GEAR.....	1	
	7LM10300-1	.YOKE ASSEMBLY, LANDING GEAR (LH).....	1	
	7LM10300-2	.YOKE ASSEMBLY, LANDING GEAR (RH).....	1	
- 46	FF411-1	.BUSHING.....	2	
- 47	7LM10300-11	.YOKE, LANDING GEAR (LH).....	1	
	7LM10300-12	.YOKE, LANDING GEAR (RH).....	1	
	7LM10223-3	.SCISSORS ASSEMBLY, LANDING GEAR.....	2	
		(ATTACHING PARTS)		
- 48	NAS464P5-48	.BOLT, AIRCRAFT.....	1	

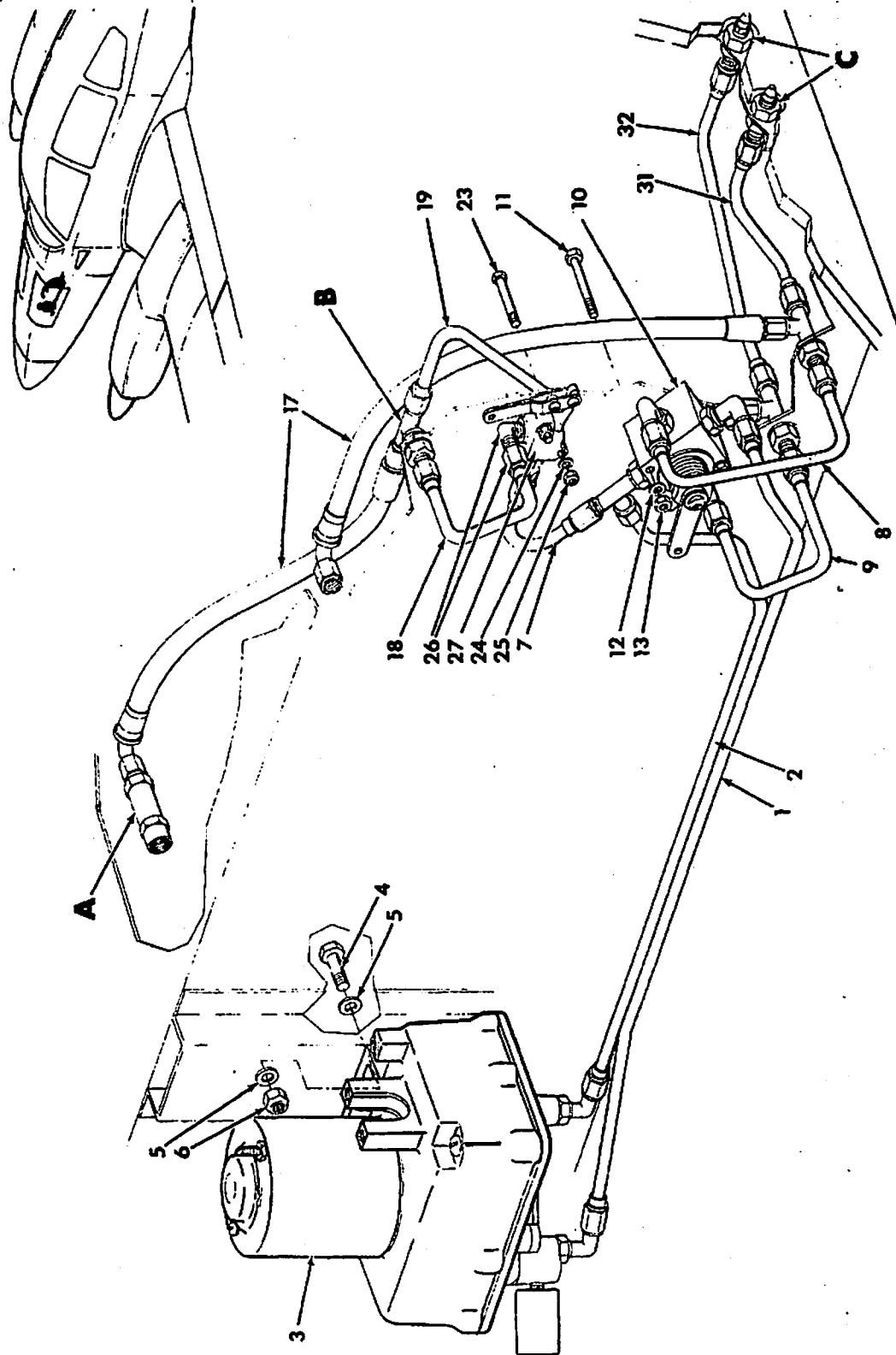
GRUMMAN AMERICAN AVIATION

GA-7/COUGAR

ILLUSTRATED PARTS CATALOG

Figure & Index No.	Part Number	Nomenclature							Units Per Assy	Usable On Code
		1	2	3	4	5	6	7		
32-11 - 49	MS24665-134	.PIN, COTTER.....							1	
- 50	AN960-516	.WASHER, FLAT.....							1	
- 51	AN320-5	.NUT, CASTELLATED.....							1	
- 52	FF411-2	..BEARING (70417).....							1	
- 53	7LM10223-13	..SCISSORS, LANDING GEAR.....							1	
- 54	7L10153-13	.ACTUATOR, SQUAT SWITCH (LH ONLY).....							1	
- 55	7L10244-11	.NAMEPLATE.....							1	
- 56	7L10289-11	.PLATE, INSTRUCTION.....							1	
	7LM10110-3	.TRUNNION ASSEMBLY, MAIN GEAR.....							1	
- 57	FF312-1	..BEARING (70417).....							2	
- 58	FF411-2	..BEARING (70417).....							2	
- 59	7LM10114-11	..BUSHING.....							1	
- 60	7LM10114-13	..BUSHING.....							1	
- 61	7LM10110-13	..TRUNNION, MAIN GEAR.....							1	

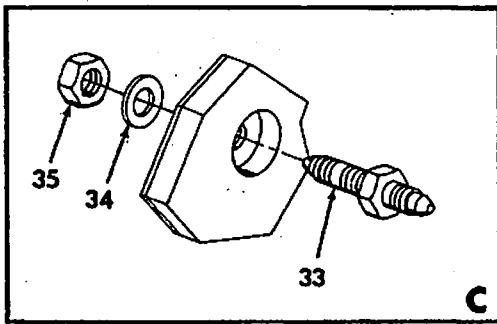
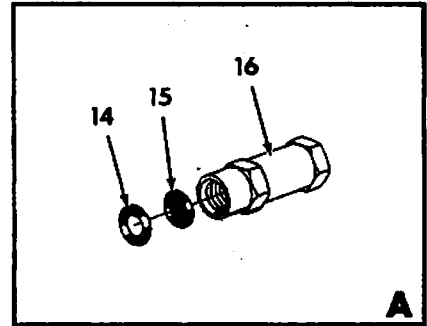
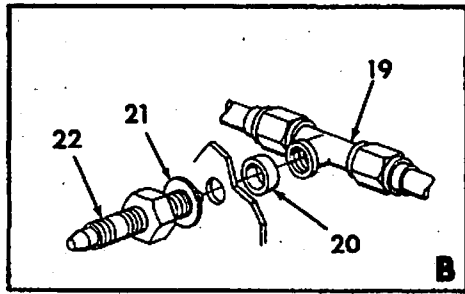
GRUMMAN AMERICAN AVIATION
GA-7/COUGAR
ILLUSTRATED PARTS CATALOG



Hydraulic System Installation
Figure 32-12 (Sheet 1 of 2)

32G74-12-1

GRUMMAN AMERICAN AVIATION
GA-7/COUGAR
ILLUSTRATED PARTS CATALOG



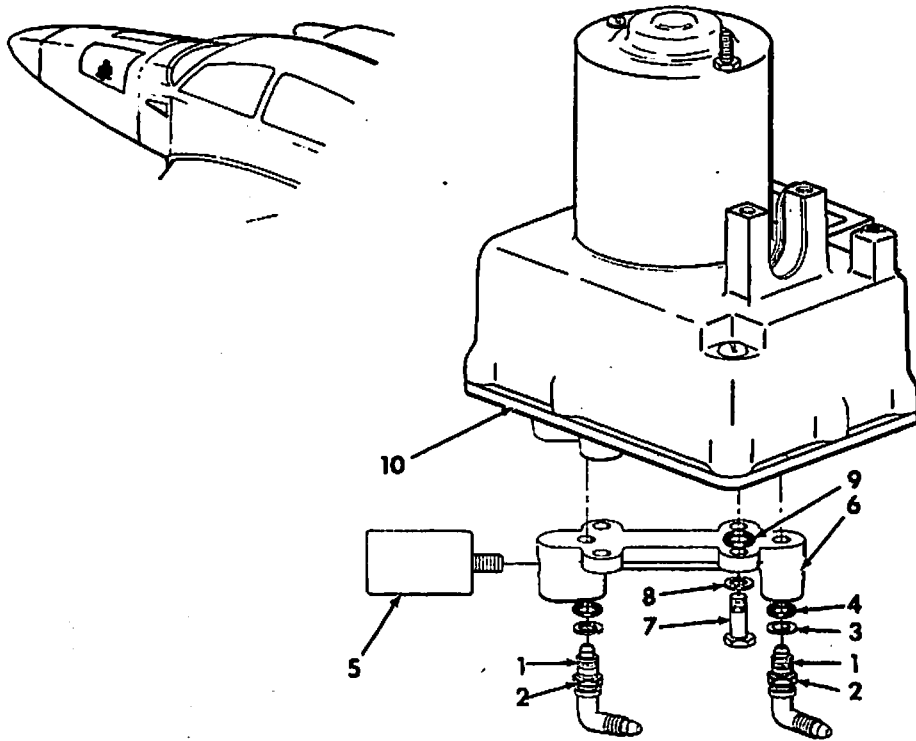
Hydraulic System Installation
Figure 32-12 (Sheet 2 of 2)

32074-12-2

GRUMMAN AMERICAN AVIATION
GA-7/COUGAR
ILLUSTRATED PARTS CATALOG

Figure & Index No.	Part Number	Nomenclature 1 2 3 4 5 6 7	Units Per Assy	Usable On Code
32-12 -	7H10101-1	HYDRAULIC SYSTEM INSTALLATION.....	RF	
- 1	7H10100-001P-4	.TUBE ASSEMBLY,PRESSURE.....	1	
- 2	7H10100-002R-4	.TUBE ASSEMBLY,RETURN.....	1	
- 3	7H10104-1	.POWER PACK ASSEMBLY,HYDRAULIC SYSTEM (SEE..... FIGURE 32-13 FOR DETAIL BREAKDOWN) (ATTACHING PARTS)	1	
- 4	AN5-7A	.BOLT,AIRCRAFT.....	4	
- 5	AN960-516	.WASHER,FLAT.....	8	
- 6	MS20365-524C	.NUT,SELF-LOCKING.....	4	
- 7	7H10100-003R-4	.TUBE ASSEMBLY,RETURN.....	1	
- 8	7H10100-005LGD-4	.TUBE ASSEMBLY,LANDING GEAR DOWN.....	1	
- 9	7H10100-006LGU-4	.TUBE ASSEMBLY,LANDING GEAR UP.....	1	
- 10	7H10111-1	.SELECTOR VALVE ASSEMBLY,LANDING GEAR (SEE..... FIGURE 32-14 FOR DETAIL BREAKDOWN) (ATTACHING PARTS)	1	
- 11	AN3-16A	.BOLT,AIRCRAFT.....	2	
- 12	AN960-10	.WASHER,FLAT.....	2	
- 13	MS20365-1032C	.NUT,SELF LOCKING.....	2	
- 14	MS28778-4	.PACKING,PREFORMED.....	1	
- 15	AC105H-4609E4	.SCREEN,FILTER (01414).....	1	
- 16	K1215-4-11	.RESTRICTOR,CHECK VALVE (34199).....	1	
- 17	GAES1325-8-0190	.HOSE ASSEMBLY,FLEXIBLE.....	2	
- 18	7H10100-004R-4	.TUBE ASSEMBLY, RETURN.....	1	
- 19	AN804D4	.TEE,FLARED TUBE..... (ATTACHING PARTS)	1	
- 20	NAS43DD7-8	.SPACER.....	1	
- 21	AN960-716L	.WASHER,FLAT.....	1	
- 22	AN924-4D	.NUT,BULKHEAD.....	1	
	7H10105-1	.VALVE ASSEMBLY,EMERGENCY DUMP..... (ATTACHING PARTS)	1	
- 23	AN3-13A	.BOLT,AIRCRAFT.....	2	
- 24	AN960-10	.WASHER,FLAT.....	AR	
- 25	MS20365-1032C	.NUT,SELF-LOCKING.....	2	
- 26	MS20822-4D	.ELBOW,FLARED TUBE.....	2	
- 27	A-115-4	.VALVE,EMERGENCY DUMP (31720).....	1	
- 28	AN804D4	.TEE,FLARED TUBE..... (ATTACHING PARTS)	2	
- 29	AN960-716	.WASHER,FLAT.....	1	
- 30	AN924-4D	.NUT,BULKHEAD.....	1	
- 31	7H10100-009LGD-4	.TUBE ASSEMBLY,LANDING GEAR DOWN.....	1	
- 32	7H10100-010LGU-4	.TUBE ASSEMBLY,LANDING GEAR UP.....	1	
- 33	AN832-4D	.UNION..... (ATTACHING PARTS)	2	
- 34	AN964-716	.WASHER,FLAT.....	1	
- 35	AN924-4D	.NUT,BULKHEAD.....	1	

GRUMMAN AMERICAN AVIATION
GA-7/COUGAR
ILLUSTRATED PARTS CATALOG



Hydraulic System Power Pack Assembly
Figure 32-13

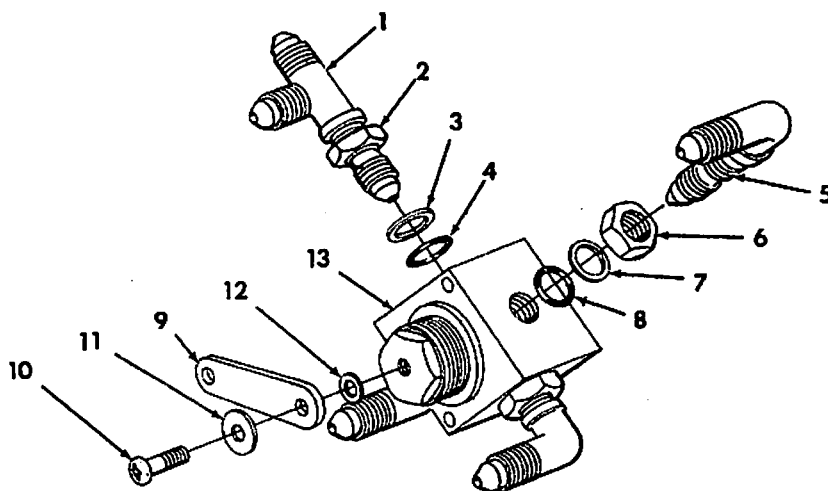
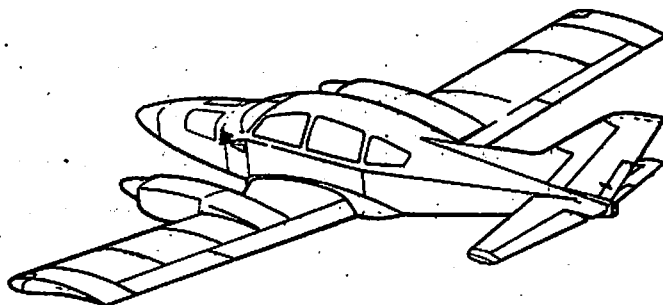
32074-13-1

GRUMMAN AMERICAN AVIATION

GA-7/COUGAR

ILLUSTRATED PARTS CATALOG

Figure & Index No.	Part Number	Nomenclature							Units Per Assy	Usable On Code
		1	2	3	4	5	6	7		
32-13 -	7H10104-1	POWER PACK ASSEMBLY, HYDRAULIC SYSTEM (SEE.....							RF	
		FIGURE 32-12 FOR NHA)								
- 1	AN833-40	.FLBOW, FLAREC TUBE.....							2	
- 2	AN6289D4	.NUT, FLAREC TUBE.....							2	
- 3	MS28773-04	.RETAINER, PACKING BACKUP.....							2	
- 4	MS28778-4	.PACKING, PREFORMED.....							2	
- 5	R211C243-3	.SWITCH, PRESSURE (02750).....							1	
- 6	7H10112-13	.MANIFOLD, HYDRAULIC POWER PACK.....							1	
		(ATTACHING PARTS)								
- 7	AN4-6A	.BOLT, AIRCRAFT.....							4	
- 3	AN936A416	.WASHER, LOCK, INTERNAL TOOTH.....							4	
- 9	MS28778-4	.PACKING, PREFORMED.....							4	
- 10	105932-12V	.PUMP, HYDRAULIC (19728).....							1	



Landing Gear Selector Valve Assembly
Figure 32-14

32G74-14-1

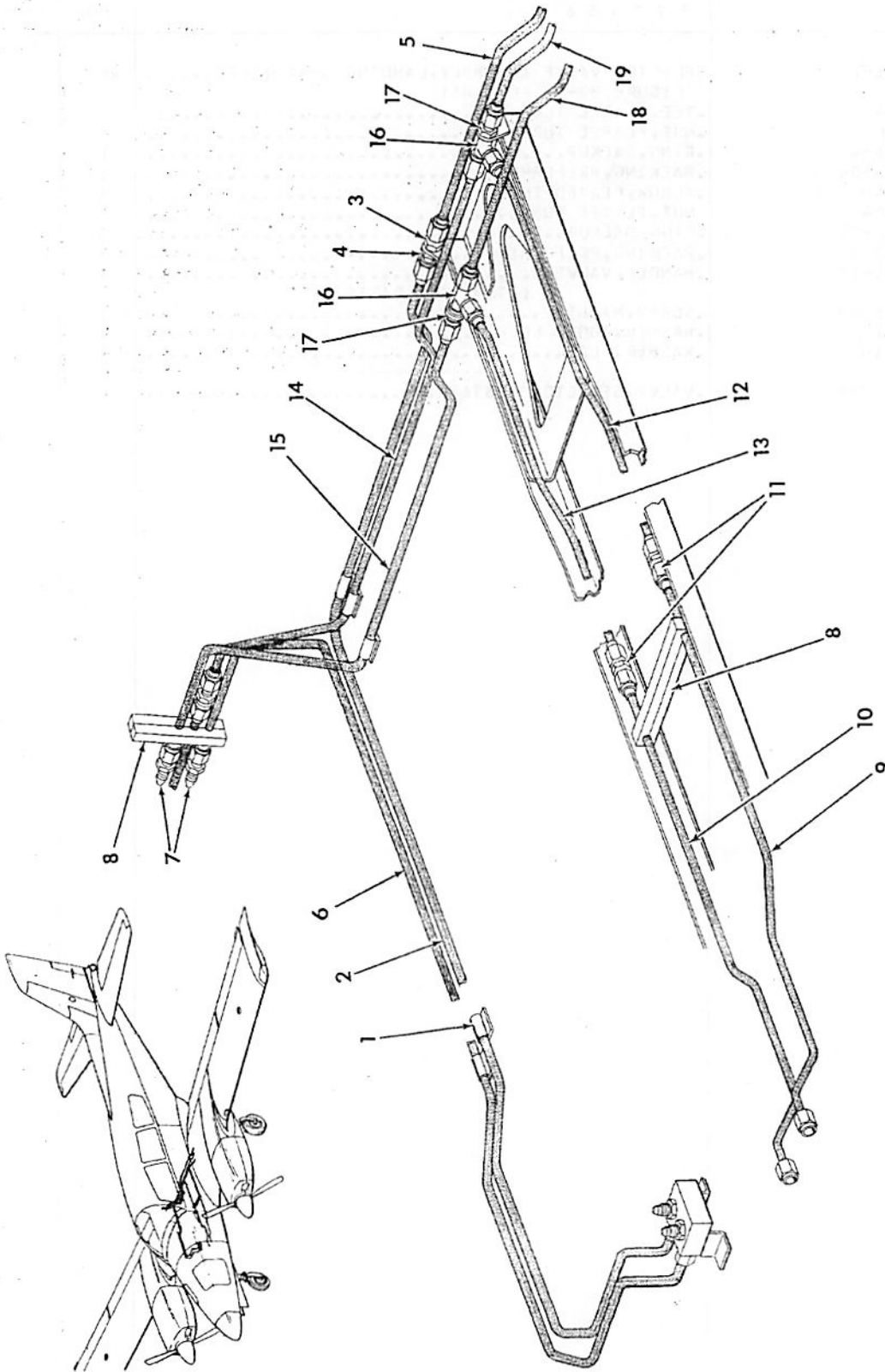
GRUMMAN AMERICAN AVIATION

GA-7/COUGAR

ILLUSTRATED PARTS CATALOG

Figure & Index No.	Part Number	Nomenclature							Units Per Assy	Usable On Code
		1	2	3	4	5	6	7		
32-14 -	7H10111-1	SELECTOR VALVE ASSEMBLY, LANDING GEAR (SEE..... FIGURE 32-12 FOR NHA)							RF	
- 1	AN874D4	.TEE, FLARED TUBE.....							1	
- 2	AN6989D4	.NUT, FLARED TUBE.....							1	
- 3	MS28778-4	.RING, BACKUP.....							1	
- 4	MS28773-04	.PACKING, PREFORMED.....							1	
- 5	AN833-4D	.FLBOW, FLARED TUBE.....							3	
- 6	AN6289D4	.NUT, FLARED TUBE.....							3	
- 7	MS28773-04	.RING, BACKUP.....							3	
- 8	MS28778-4	.PACKING, PREFORMED.....							3	
- 9	7H10111-13	.HANDLE, VALVE.....							1	
		(ATTACHING PARTS)								
- 10	MS35265-6)	.SCREW, MACHINE.....							1	
- 11	AN936410	.WASHER, TOOTH LOCK.....							1	
- 12	AN960-10	.WASHER, FLAT.....							1	
- 13	8441E-4D3P	.VALVE, SFLECTOR (86768).....							1	

GRUMMAN AMERICAN AVIATION
GA-7/COUGAR
ILLUSTRATED PARTS CATALOG



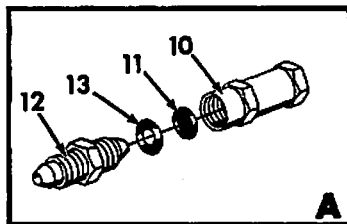
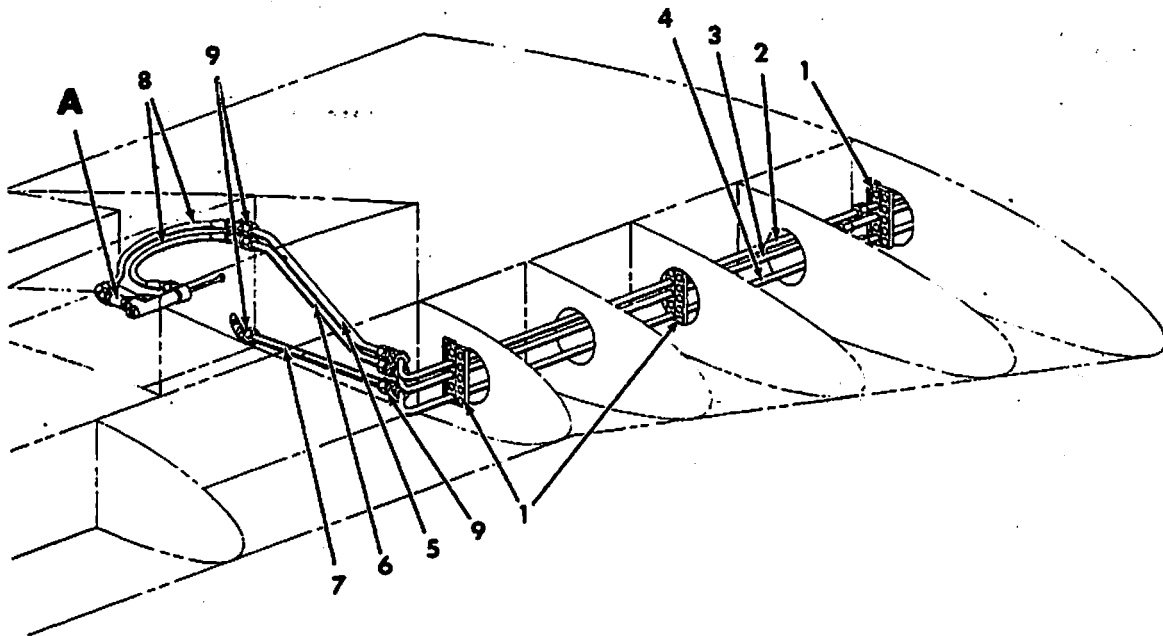
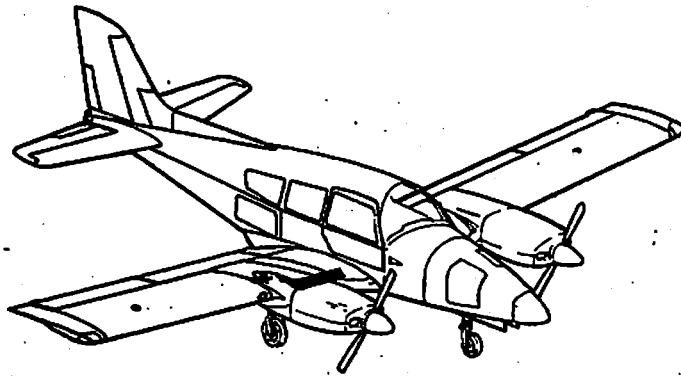
Fuselage Hydraulic Lines and Installation
Figure 32-15

32G74-15-1

GRUMMAN AMERICAN AVIATION
GA-7/COUGAR
ILLUSTRATED PARTS CATALOG

Figure & Index No.	Part Number	Nomenclature							Units Per Assy	Usable On Code
		1	2	3	4	5	6	7		
32-15 -	7H10102-1	HYDRAULIC LINES INSTALLATION, FUSELAGE.....							RF	
- 1	021-0250	.CLIP (34748).....							10	
- 2	7H10100-033LWB-4	.TUBE ASSEMBLY, LEFT WHEEL BRAKE.....							1	
- 3	AN832-4D	.UNION, FLARED TUBE BULKHEAD.....							1	
		(ATTACHING PARTS)								
- 4	AN924-4D	.NUT, BULKHEAD.....							1	
	AN960-716	.WASHER, FLAT.....							1	
		-----*								
- 5	7H10100-035LWB-4	.TUBE ASSEMBLY, LEFT WHEEL BRAKE.....							1	
- 6	7H10100-034RWB-4	.TUBE ASSEMBLY, RIGHT WHEEL BRAKE.....							1	
- 7	AN815-4D	.UNION, FLARED TUBE.....							2	
- 8	7FP10329-15	.CLAMP HALF, TUBE SUPPORT.....							2	
- 9	7H10100-011LGD-4	.TUBE ASSEMBLY, LANDING GEAR DOWN.....							1	
- 10	7H10100-012LGU-4	.TUBE ASSEMBLY, LANDING GEAR UP.....							1	
- 11	AN815-4D	.UNION, FLARED TUBE.....							2	
- 12	7H10100-013LGD-4	.TUBE ASSEMBLY, LANDING GEAR DOWN.....							1	
- 13	7H10100-014LGU-4	.TUBE ASSEMBLY, LANDING GEAR UP.....							1	
- 14	7H10100-016LGD-4	.TUBE ASSEMBLY, LANDING GEAR DOWN.....							1	
- 15	7H10100-018LGU-4	.TUBE ASSEMBLY, LANDING GEAR UP.....							1	
- 16	AN804D4	.TEE, BULKHEAD.....							2	
		(ATTACHING PARTS)								
- 17	AN924-4D	.NUT, BULKHEAD.....							1	
	AN960PD716	.WASHER, FLAT.....							3	
		-----*								
- 18	7H10100-015LGD-4	.TUBE ASSEMBLY, LANDING GEAR DOWN.....							1	
- 19	7H10100-017LGU-4	.TUBE ASSEMBLY, LANDING GEAR UP.....							1	

GRUMMAN AMERICAN AVIATION
GA-7/COUGAR
ILLUSTRATED PARTS CATALOG



Wing Hydraulic Lines and Installation
Figure 32-16

32G74-16-1

GRUMMAN AMERICAN AVIATION

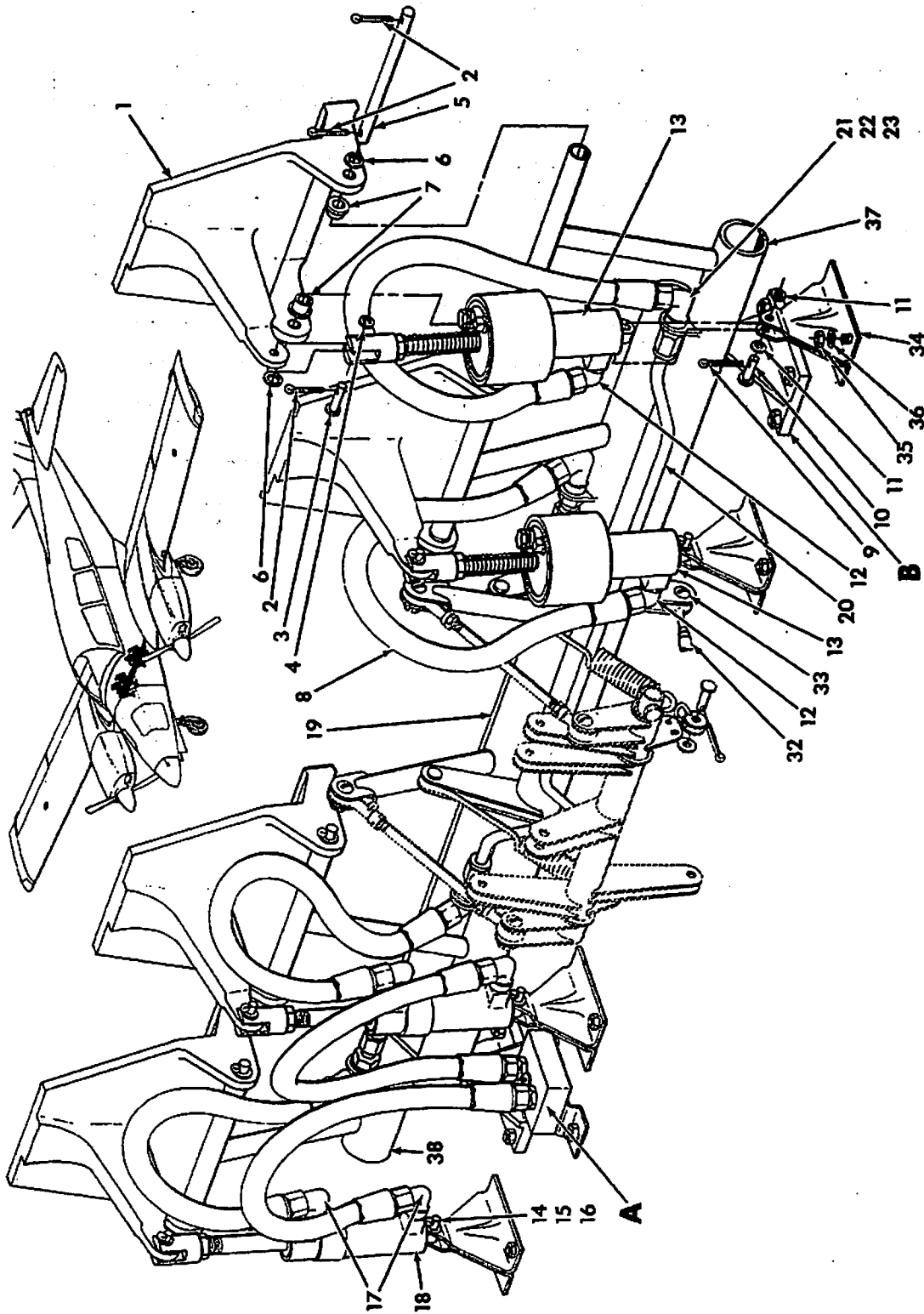
GA-7/COUGAR

ILLUSTRATED PARTS CATALOG

Figure & Index No.	Part Number	Nomenclature							Units Per Assy	Usable On Code
		1	2	3	4	5	6	7		
32-16 -	7H10103-1	HYDRAULIC LINES INSTALLATION, WING (LH SIDE).....							RF	
	7H10103-2	HYDRAULIC LINES INSTALLATION, WING (RH SIDE).....							RF	
- 1	7FP10329-15	.CLAMP HALF, TUBE SUPPORT.....							3	
- 2	7H10100-026LGU-4	.TUBE ASSEMBLY, LANDING GEAR UP (RH).....							1	
	7H10100-022LGU-4	.TUBE ASSEMBLY, LANDING GEAR UP (LH).....							1	
- 3	7H10100-025LGD-4	.TUBE ASSEMBLY, LANDING GEAR DOWN (RH).....							1	
	7H10100-021LGD-4	.TUBE ASSEMBLY, LANDING GEAR DOWN (LH).....							1	
- 4	7H10100-036RWB-4	.TUBE ASSEMBLY, RIGHT WHEEL BRAKE (RH).....							1	
	7H10100-037LWB-4	.TUBE ASSEMBLY, LEFT WHEEL BRAKE (LH).....							1	
- 5	7H10100-028LGU-4	.TUBE ASSEMBLY, LANDING GEAR UP (RH).....							1	
	7H10100-024LGU-4	.TUBE ASSEMBLY, LANDING GEAR UP (LH).....							1	
- 6	7H10100-027LGD-4	.TUBE ASSEMBLY, LANDING GEAR DOWN (RH).....							1	
	7H10100-023LGD-4	.TUBE ASSEMBLY, LANDING GEAR DOWN (LH).....							1	
- 7	7H10100-038RWB-4	.TUBE ASSEMBLY, RIGHT WHEEL BRAKE (RH).....							1	
	7H10100-039LWB-4	.TUBE ASSEMBLY, LEFT WHEEL BRAKE (LH).....							1	
- 8	GAES1325-8-0190	.HOSE ASSEMBLY, FLEXIBLE.....							2	
- 9	AN837-4D	.ELBOW, 45 DEGREE.....							6	
		(ATTACHING PARTS)								
	AN924-4D	.NUT, BULKHEAD.....							1	
	AN960PD716	.WASHER, FLAT.....							1	

- 10	K1215-4-12	.RESTRICTOR, CHECK VALVE (34199).....							1	
- 11	AC105H-4609E4	.SCREEN, FILTER (01414).....							1	
- 12	AN815-4D	.UNION, FLARED TUBE.....							1	
- 13	MS28778-4	.PACKING, PREFORMED.....							1	

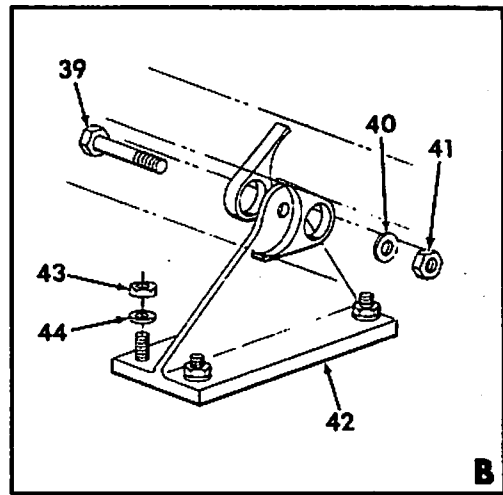
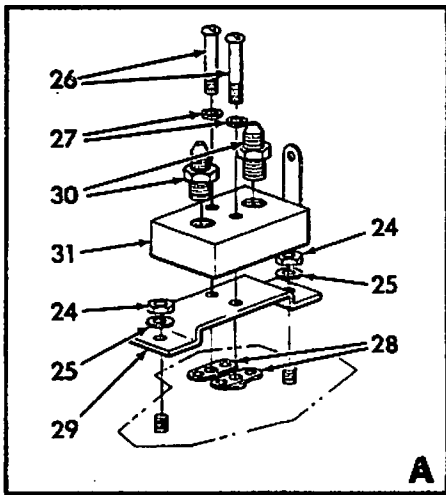
GRUMMAN AMERICAN AVIATION
GA-7/COUGAR
ILLUSTRATED PARTS CATALOG



Brake Control Installation
Figure 32-17 (Sheet 1 of 2)

32G74-17-1

GRUMMAN AMERICAN AVIATION
GA-7/COUGAR
ILLUSTRATED PARTS CATALOG



Brake Control Installation
Figure 32-17 (Sheet 2 of 2)

32G74-17-2

GRUMMAN AMERICAN AVIATION
GA-7/COUGAR
ILLUSTRATED PARTS CATALOG

Figure & Index No.	Part Number	Nomenclature							Units Per Assy	Usable On Code
		1	2	3	4	5	6	7		
32-17 -	7C10400-1	BRAKE CONTROL INSTALLATION, SINGLE (STANDARD)....							RF	
	7C10400-3	BRAKE CONTROL INSTALLATION, DUAL (OPTIONAL).....							RF	
- 1	606001-1	.PEDAL (STANDARD).....							2	
	606001-1	.PEDAL (OPTIONAL).....							4	
		(ATTACHING PARTS)								
- 2	MS24665-132	.PIN, COTTER (STANDARD).....							6	
	MS24665-132	.PIN, COTTER (OPTIONAL).....							12	
- 3	MS20392-2017	.PIN, HEADED (STANDARD).....							2	
	MS20392-2017	.PIN, HEADED (OPTIONAL).....							4	
- 4	AN960-10L	.WASHER, FLAT (STANDARD).....							8	
	AN960-10L	.WASHER, FLAT (OPTIONAL).....							16	
- 5	601021-1	.TUBE (STANDARD).....							2	
	601021-1	.TUBE (OPTIONAL).....							4	
- 6	AN960-416	.WASHER, FLAT (STANDARD).....							4	
	AN960-416	.WASHER, FLAT (OPTIONAL).....							8	
- 7	601051	.PLUG (STANDARD).....							4	
	601051	.PLUG (OPTIONAL).....							8	

- 8	GAES1325-2-0140	.HOSE ASSEMBLY (STANDARD).....							4	
	GAES1325-2-0140	.HOSE ASSEMBLY (OPTIONAL).....							6	
	7C10404-1	.BRAKE CYLINDER ASSEMBLY, MASTER, PILOT.....							2	
		(STANDARD)								
		(ATTACHING PARTS)								
- 9	MS24665-132	.PIN, COTTER.....							1	
- 10	MS20392-2C17	.PIN, HEADED.....							1	
- 11	AN960-10	.WASHER, FLAT.....							2	

- 12	AN822-4D	..ELBOW, FLARED TUBE.....							1	
- 13	A-049-4P	..BRAKE CYLINDER, MASTER (31720).....							1	
	7C10404-3	.BRAKE CYLINDER ASSEMBLY, MASTER (OPTIONAL).....							2	
		(ATTACHING PARTS)								
- 14	MS24665-132	.PIN, COTTER.....							1	
- 15	MS20392-2C17	.PIN, HEADED.....							1	
- 16	AN960-10	.WASHER, FLAT.....							2	

- 17	AN822-4D	..ELBOW, FLARED TUBE.....							2	
- 18	A-110-10	..BRAKE CYLINDER, MASTER (31720).....							1	
- 19	7H10100-032RWB	.TUBE ASSEMBLY, RIGHT WHEEL BRAKE.....							1	
- 20	7H10100-031LWB	.TUBE ASSEMBLY, LEFT WHEEL BRAKE.....							1	
- 21	AN833-4D	.ELBOW, FLARED TUBE.....							4	
		(ATTACHING PARTS)								
- 22	AN924-4D	.NUT, BULKHEAD.....							1	
- 23	AN960-716	.WASHER, FLAT.....							1	

	7C10404-5	.VALVE ASSEMBLY, PARKING BRAKE.....							1	
		(ATTACHING PARTS)								
- 24	MS20364-1032	.NUT, SELF-LOCKING.....							2	
- 25	AN960-10	.WASHER, FLAT.....							2	

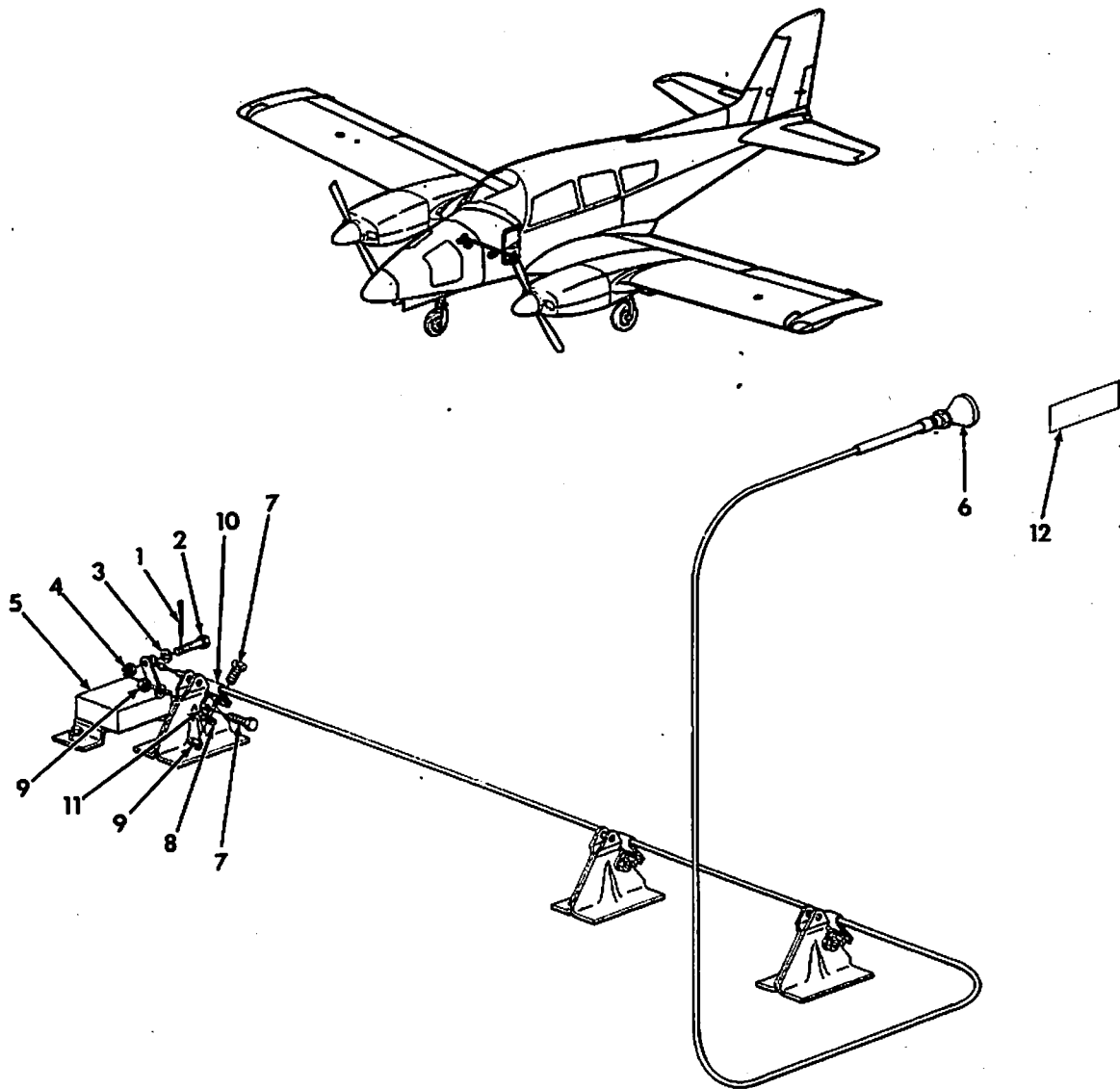
	7C10404-7	..SUPPORT ASSEMBLY, VALVE.....							1	
		(ATTACHING PARTS)								
- 26	NAS221-18	..BOLT, AIRCRAFT.....							2	
- 27	AN960-10L	..WASHER, FLAT.....							2	

- 28	NAS680A3	..NUT PLATE.....							2	
- 29	7C10404-11	..BRACKET, SUPPORT.....							1	
- 30	AN816-4D	..NIPPLE.....							2	
- 31	A-850-8	..VALVE, PARKING BRAKE (31720).....							1	
- 32	7L10273-1	.BUNGEE ASSEMBLY, NOSE GEAR (SEE FIGURE 32-5....							2	
		FOR DETAIL BREAKDOWN)								

GRUMMAN AMERICAN AVIATION
GA-7/COUGAR
ILLUSTRATED PARTS CATALOG

Figure & Index No.	Part Number	Nomenclature							Units Per Assy	Usable On Code
		1	2	3	4	5	6	7		
32-17		(ATTACHING PARTS)								
- 33	AN24-10	.BOLT, CLEVIS.....							1	
	AN960-416	.WASHER, FLAT.....							1	
	AN320-4	.NUT, CASTELLATED.....							1	
	MS24665-132	.PIN, COTTER.....							1	
	GAES1021AG-6C	.SCREW, MACHINE.....							8	
	AN960-6	.WASHER, FLAT.....							8	
		-----*								
- 34	7C10411-1	.BRACKET ASSEMBLY-BRAKE CYLINDER SUPPORT.....							2	
		(STANDARD)								
		(ATTACHING PARTS)								
- 35	MS20364-1332	.NUT, SELF-LOCKING.....							2	
- 36	AN960-10	.WASHER, FLAT.....							2	
		-----*								
	7C10411-1	.BRACKET ASSEMBLY-BRAKE CYLINDER SUPPORT.....							4	
		(OPTIONAL)								
		(ATTACHING PARTS)								
	MS20364-1032	.NUT, SELF-LOCKING.....							2	
	AN960-11	.WASHER, FLAT.....							2	
		-----*								
- 37	7C10401-1	.BAR ASSEMBLY, RUDDER CONTROL.....							1	
- 38	7C10401-2	.BAR ASSEMBLY, RUDDER CONTROL.....							1	
		(ATTACHING PARTS FOR INDEX NUMBERS-37 AND-38)								
- 39	AN4-11	.BOLT, AIRCRAFT.....							2	
- 40	AN960-416	.WASHER, FLAT.....							2	
- 41	MS20364-428	.NUT, SELF-LOCKING.....							2	
		-----*								
- 42	7C10450-11	.SUPPORT.....							2	
		(ATTACHING PARTS)								
- 43	MS20364-1032	.NUT, SELF-LOCKING.....							4	
- 44	AN960-10	.WASHER, FLAT.....							4	
		-----*								

GRUMMAN AMERICAN AVIATION
GA-7/COUGAR
ILLUSTRATED PARTS CATALOG



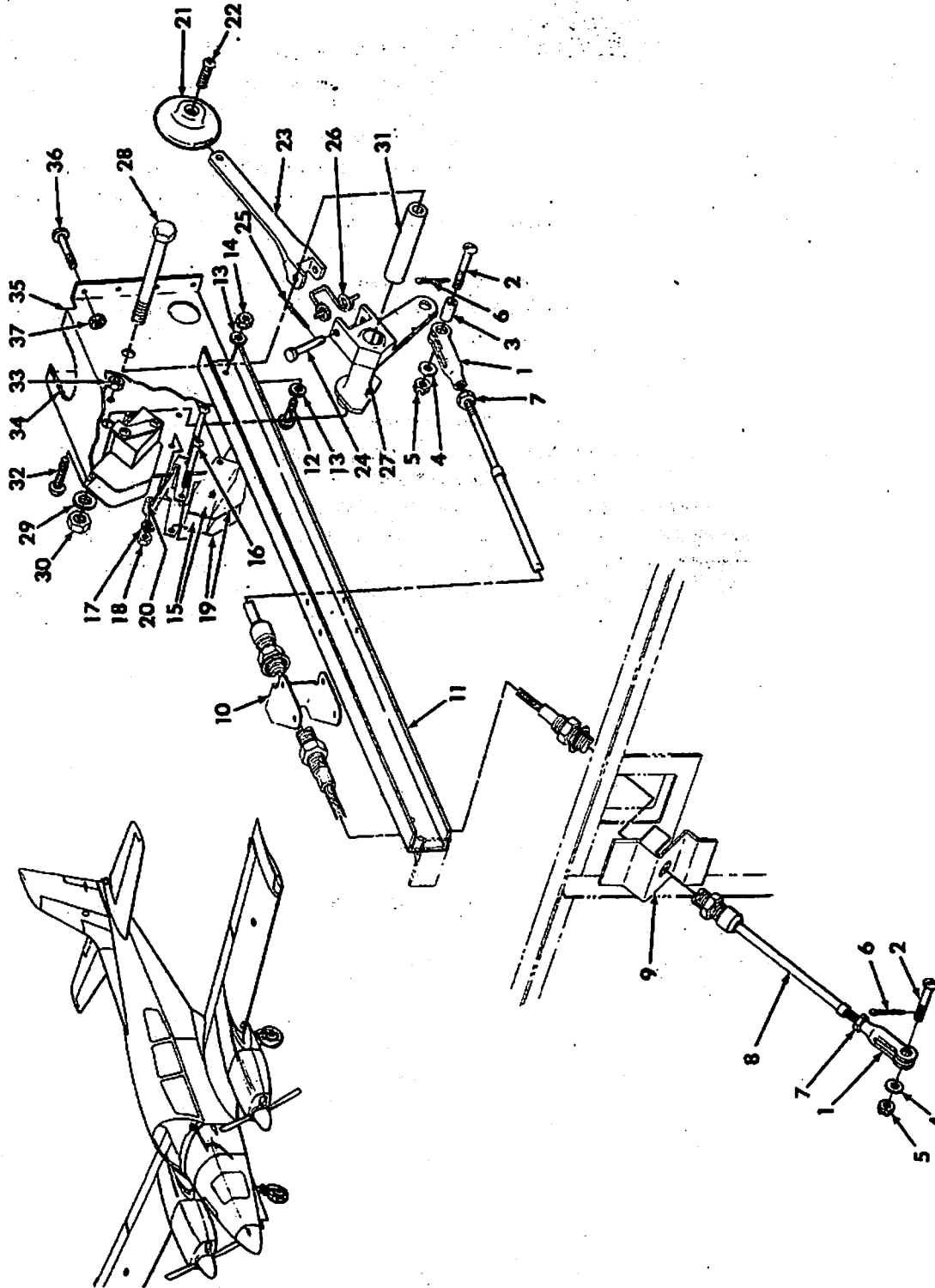
Parking Brake Installation
Figure 32-18

32G74-18-1

GRUMMAN AMERICAN AVIATION
GA-7/COUGAR
ILLUSTRATED PARTS CATALOG

Figure & Index No.	Part Number	Nomenclature	Units Per Assy	Usable On Code
32-18 -	7F10702-1	PARKING BRAKE INSTALLATION.....	RF	
- 1	MS24665-132	.PIN, COTTER.....	1	
- 2	AN3-10	.BOLT, AIRCRAFT.....	1	
- 3	AN960-10	.WASHER, FLAT.....	1	
- 4	AN310-3	.NUT, CASTELLATED.....	1	
- 5	7C10404-5	.VALVE ASSEMBLY, PARKING BRAKE (SEE FIGURE..... 32-17 FOR DETAIL BREAKDOWN)	1	
- 6	64-032-1309	.CONTROL, PUSH-PULL, PARKING BRAKE (70436)..... (ATTACHING PARTS)	1	
- 7	AN3-3A	.BOLT, AIRCRAFT.....	6	
- 8	AN960-10	.WASHER, FLAT.....	6	
- 9	MS20364-1032	.NUT, SELF-LOCKING.....	6	
- 10	AN742-3	.CLAMP, LOOP TYPE.....	3	
- 11	AN743Z12	.BRACKET.....	3	
- 12	7F10038-47	.PLACARD, PARKING BRAKE (SEE CHAPTER 11 FOR..... DETAILS)	1	

GRUMMAN AMERICAN AVIATION
GA-7/COUGAR
ILLUSTRATED PARTS CATALOG



Landing Gear Control Installation
 Figure 32-19

32074-19-1

GRUMMAN AMERICAN AVIATION

GA-7/COUGAR

ILLUSTRATED PARTS CATALOG

Figure & Index No.	Part Number	Nomenclature 1 2 3 4 5 6 7	Units Per Assy	Usable On Code
32-19 -	7F10700-1	CONTROL INSTALLATION, LANDING GEAR.....	NP	
- 1	MS35812-1	. YOKE.....	2	
		(ATTACHING PARTS)		
- 2	AN23-12	. BOLT, CLEVIS.....	2	
- 3	NAS413HT3-12	. SPACER.....	1	
- 4	AN960-10	. WASHER, FLAT.....	2	
- 5	AN320-3	. NUT, CASTELLATED.....	2	
- 6	MS24665-132	. PIN, COTTER.....	2	

- 7	AN315-3R	. NUT, CHECK.....	2	
- 8	7P13000-35	. CABLE ASSEMBLY, CONTROL, LANDING GEAR SELECT.....	1	
- 9	7F10713-11	. BRACKET, LANDING GEAR CONTROL.....	1	
- 10	7F10700-13	. BRACKET, CONTROL.....	1	
- 11	7F10700-15	. SUPPORT, CHANNEL.....	1	
		(ATTACHING PARTS)		
- 12	MS35206-243	. SCREW, MACHINE.....	2	
- 13	AN960-8L	. WASHER, FLAT.....	4	
- 14	MS21042-08	. NUT, SELF-LOCKING.....	2	

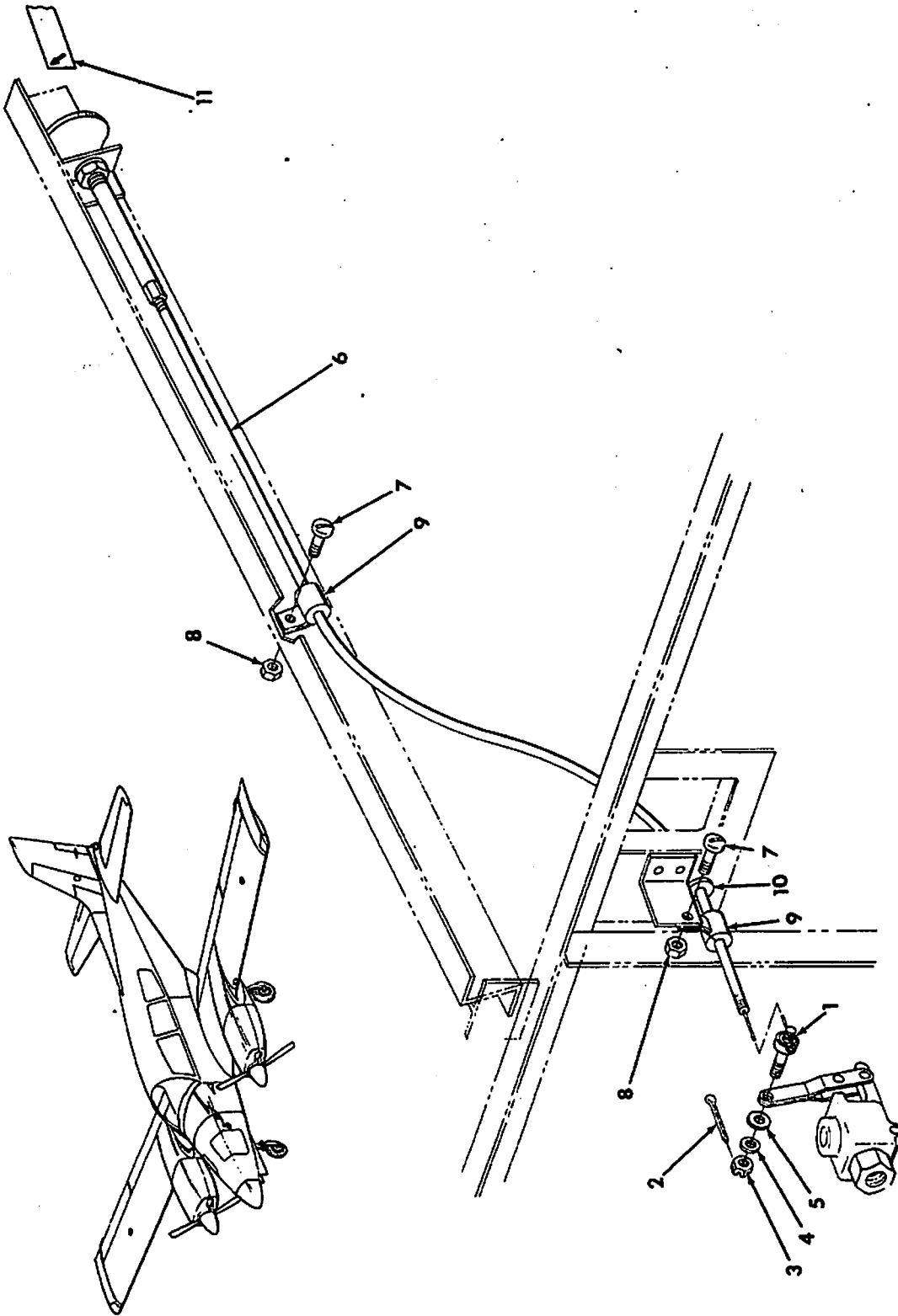
- 15	V3-101-09	. SWITCH (91929).....	4	
		(ATTACHING PARTS)		
- 16	MS35206-222	. SCREW, MACHINE.....	4	
- 17	MS35333-36	. WASHER, LOCK.....	4	
- 18	MS35649-242	. NUT, PLAIN.....	4	

- 19	7F10700-21	. INSULATOR.....	4	
- 20	JV-82	. ROLLER, TANDEM (91929).....	2	
- 21	7FP10322-7	. KNOB, LANDING GEAR CONTROL.....	1	
		(ATTACHING PARTS)		
- 22	MS24627-35	. SCREW, MACHINE.....	1	

- 23	7FM10712-13	. LEVER, LANDING GEAR CONTROL.....	1	
		(ATTACHING PARTS)		
- 24	MS20392-1C35	. PIN, HEADED.....	1	
- 25	MS24665-132	. PIN, COTTER.....	1	
- 26	G104-536	. SPRING, TORSION.....	1	

- 27	7FM10712-11	. BELLCRANK, LANDING GEAR CONTROL.....	1	
		(ATTACHING PARTS)		
- 28	AN5-26A	. BOLT, AIRCRAFT.....	1	
- 29	AN960-516	. WASHER, FLAT.....	2	
- 30	MS20365-524	. NUT, SELF-LOCKING.....	1	

- 31	7F10700-17	. SHAFT, TUBE.....	1	
- 32	MS35206-231	. SCREW, MACHINE.....	1	
- 33	MS21042-06	. NUT, SELF-LOCKING.....	1	
- 34	MS21266-1N	. GROMMET.....	1	
- 35	7F10700-19	. BRACKET, LANDING GEAR CONTROL.....	1	
		(ATTACHING PARTS)		
- 36	MS24693-524	. SCREW, MACHINE.....	8	
- 37	C8091-632-24	. NUT, SPEED.....	8	



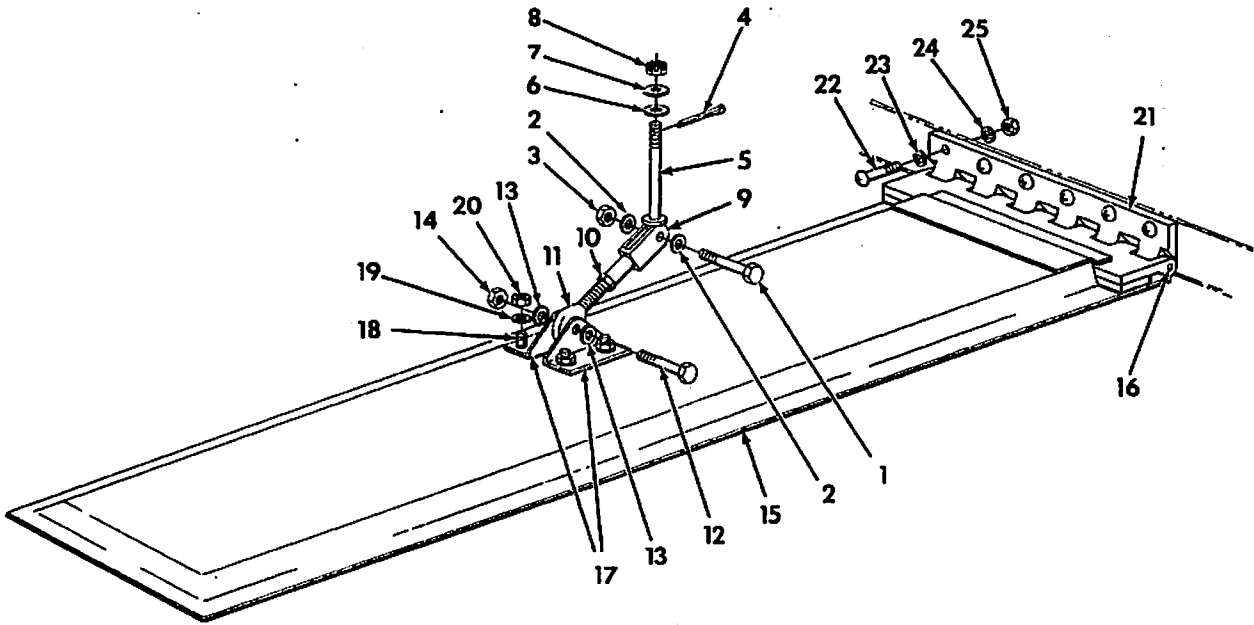
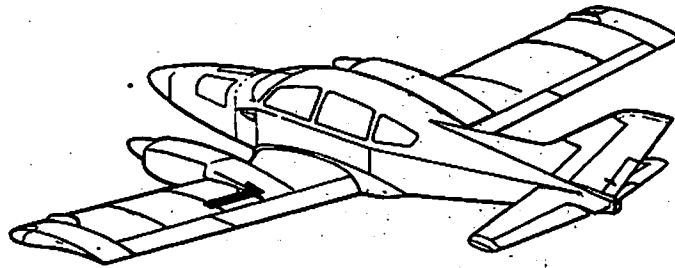
Emergency Landing Gear Control Installation
Figure 32-20

32G74-20-1

GRUMMAN AMERICAN AVIATION
GA-7/COUGAR
ILLUSTRATED PARTS CATALOG

Figure & Index No.	Part Number	Nomenclature							Units Per Assy	Usable On Code
		1	2	3	4	5	6	7		
32-20 -	7F10701-1	EMERGENCY LANDING GEAR CONTROL INSTALLATION.....							RF	
- 1	3A665-3/16	.SWIVEL (78190).....							1	
		(ATTACHING PARTS)								
- 2	MS24665-132	.PIN, COTTER.....							1	
- 3	AN320-3	.NUT, CASTELLATED.....							1	
- 4	AN960-10	.WASHER, FLAT.....							AR	
- 5	AN960-416	.WASHER, FLAT.....							AR	
		-----*								
- 6	64-032	.CONTROL, EMERGENCY LANDING GEAR (70436).....							1	
		(ATTACHING PARTS)								
- 7	AN5261032-6	.SCREW, MACHINE.....							2	
- 8	MS20364-1032	.NUT, SELF-LOCKING.....							2	
- 9	MS21919DG3	.CLAMP, LOOP TYPE.....							2	
- 10	MS35489-4	.GROMMET, RUBBER.....							1	
		-----*								
- 11	7F10038-43	.PLACARD, LANDING GEAR EMERGENCY DOWN (SEE.....							1	
		CHAPTER 11 FOR DETAILS)								

GRUMMAN AMERICAN AVIATION
GA-7/COUGAR
ILLUSTRATED PARTS CATALOG

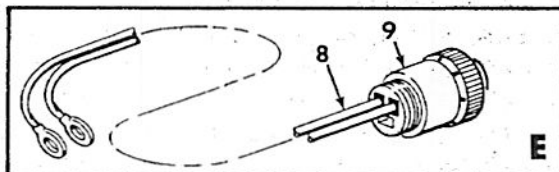
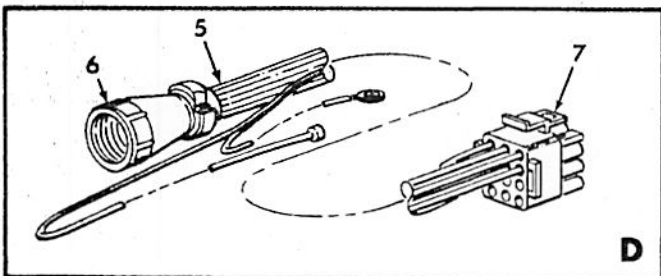
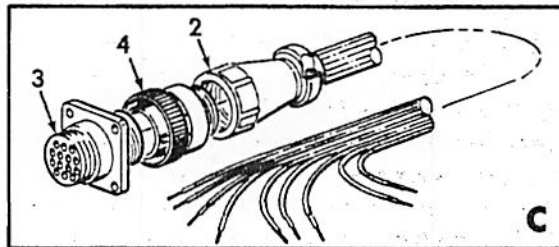
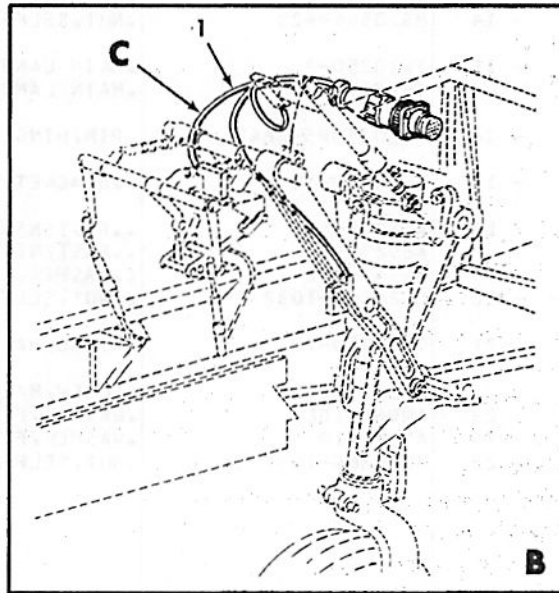
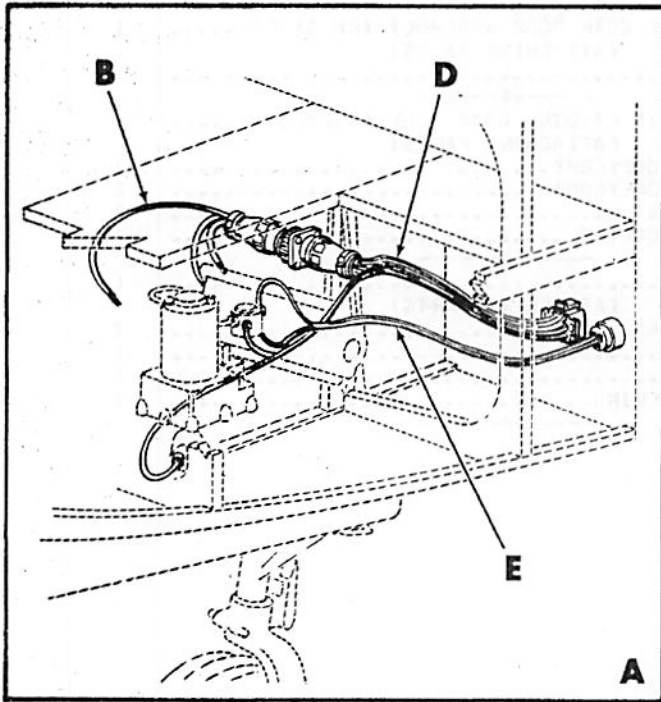
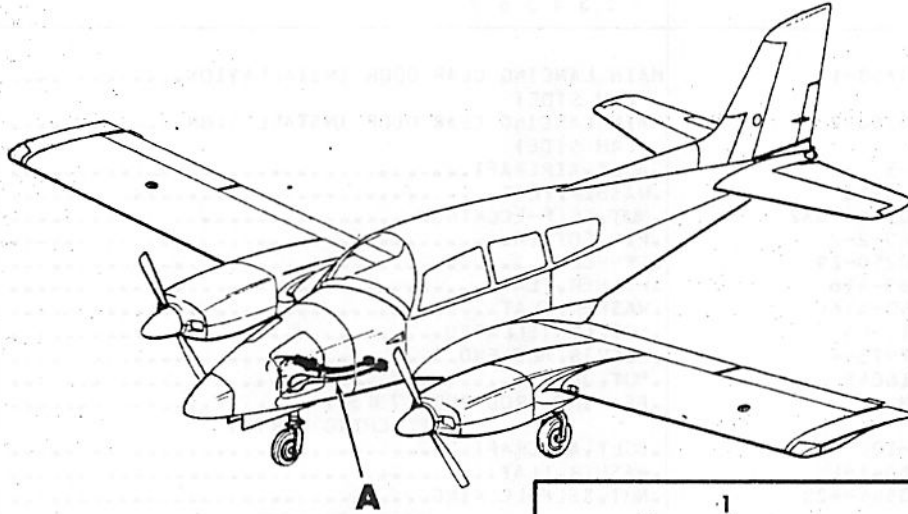


Main Landing Gear Door Installation
Figure 32-21

32G74-21-1

GRUMMAN AMERICAN AVIATION
GA-7/COUGAR
ILLUSTRATED PARTS CATALOG

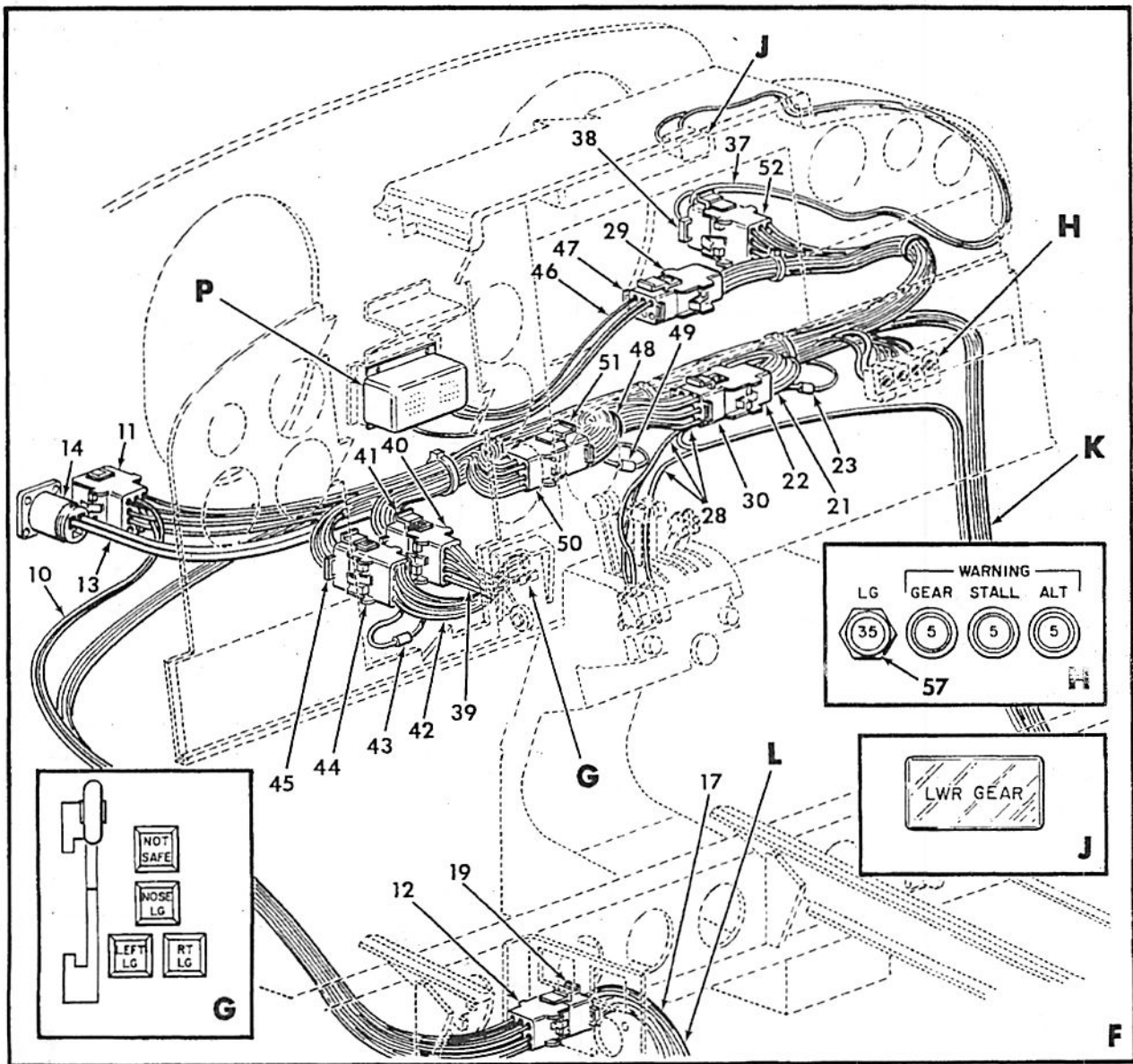
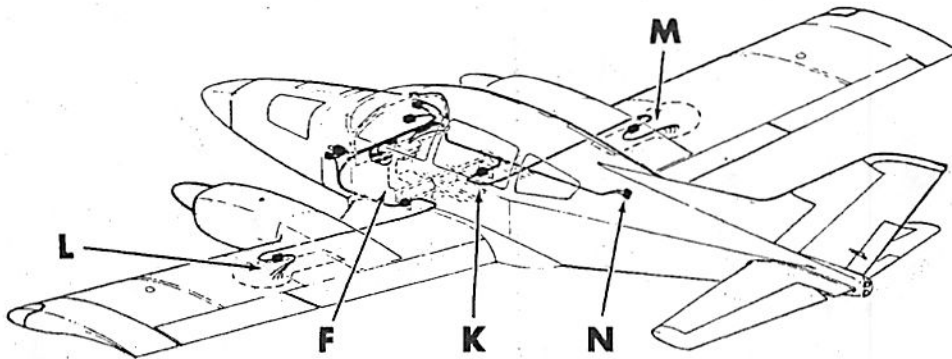
Figure & Index No.	Part Number	Nomenclature 1 2 3 4 5 6 7	Units Per Assy	Usable On Code
32-21 -	7W10250-1	MAIN LANDING GEAR DOOR INSTALLATION..... (LH SIDE)	RF	
	7W10250-2	MAIN LANDING GEAR DOOR INSTALLATION..... (RH SIDE)	RF	
- 1	AN3-5	.BOLT, AIRCRAFT.....	1	
- 2	AN960-10	.WASHER, FLAT.....	2	
- 3	MS20364-1032	.NUT, SELF-LOCKING.....	1	
- 4	AN380-2-2	.PIN, COTTER.....	1	
- 5	7W10250-29	.EYEBOLT.....	1	
- 6	AN960-416	.WASHER, FLAT.....	1	
- 7	AN960-416L	.WASHER, FLAT.....	1	
- 8	AN310-C4	.NUT, CASTELLATED.....	1	
- 9	MS27975-4	.CLEVIS, ROD END.....	1	
- 10	AN316C4R	.NUT, JAM.....	1	
- 11	HM4M	.BEARING, ROD END (73134)..... (ATTACHING PARTS)	1	
- 12	AN4-10	.BOLT, AIRCRAFT.....	1	
- 13	AN960416L	.WASHER, FLAT.....	2	
- 14	MS20364-428	.NUT, SELF-LOCKING.....	1	
- 15	7W10250-3	.MAIN LANDING GEAR DOOR ASSEMBLY (LH SIDE).....	1	
	7W10250-4	.MAIN LANDING GEAR DOOR ASSEMBLY (RH SIDE)..... (ATTACHING PARTS)	1	
- 16	MS20253P5-664	.PIN, HINGE.....	1	
- 17	7W10250-19	.BRACKET, MAIN LANDING GEAR DOOR ASSEMBLY..... (ATTACHING PARTS)	2	
- 18	AES200-6	.FASTENER, HONEYCOMB.....	2	
	AES200-8	.FASTENER, HONEYCOMB.....	2	
- 19	AN960-10L	.WASHER, FLAT.....	2	
- 20	MS20364-1032	.NUT, SELF-LOCKING.....	2	
- 21	7W10250-23	.HINGE, HALF..... (ATTACHING PARTS)	1	
- 22	NAS221-11	.SCREW, MACHINE.....	7	
- 23	AN960-10L	.WASHER, FLAT.....	7	
- 24	AN960-10	.WASHER, FLAT.....	7	
- 25	MS20365-1032	.NUT, SELF-LOCKING.....	7	



Landing Gear Electrical Installation
 Figure 32-22 (Sheet 1 of 3)

32G74-22-1

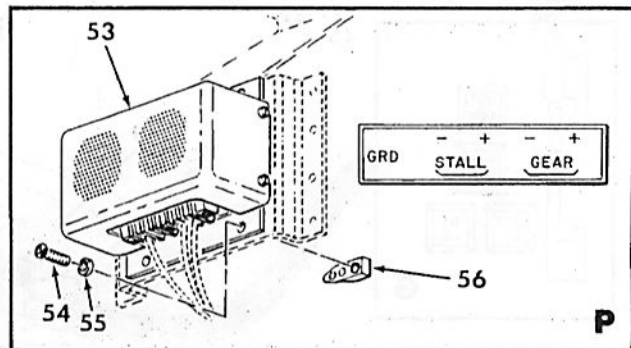
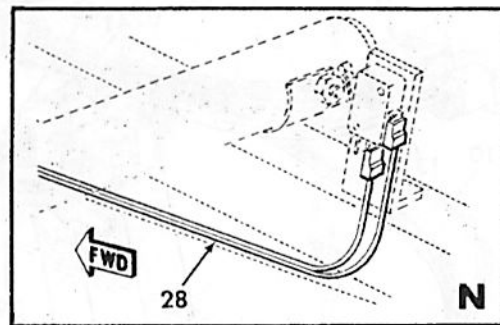
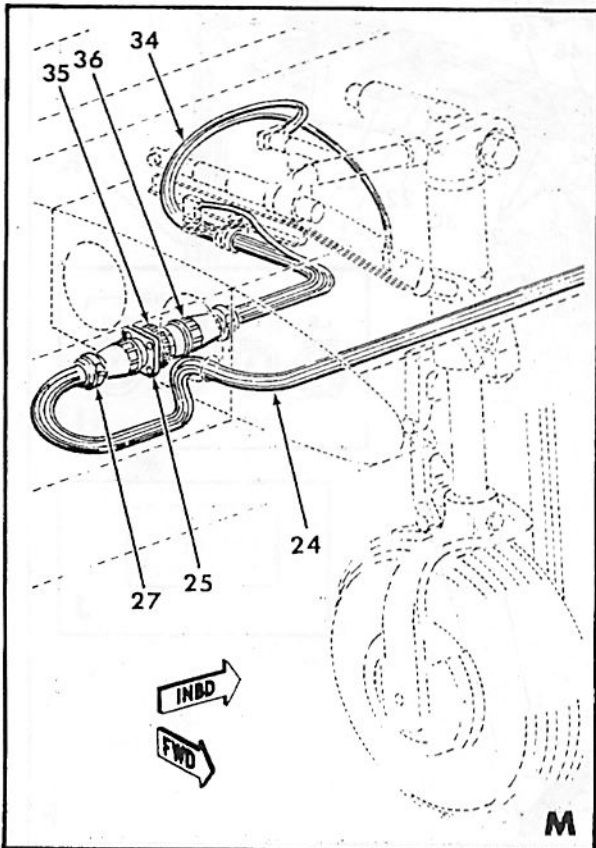
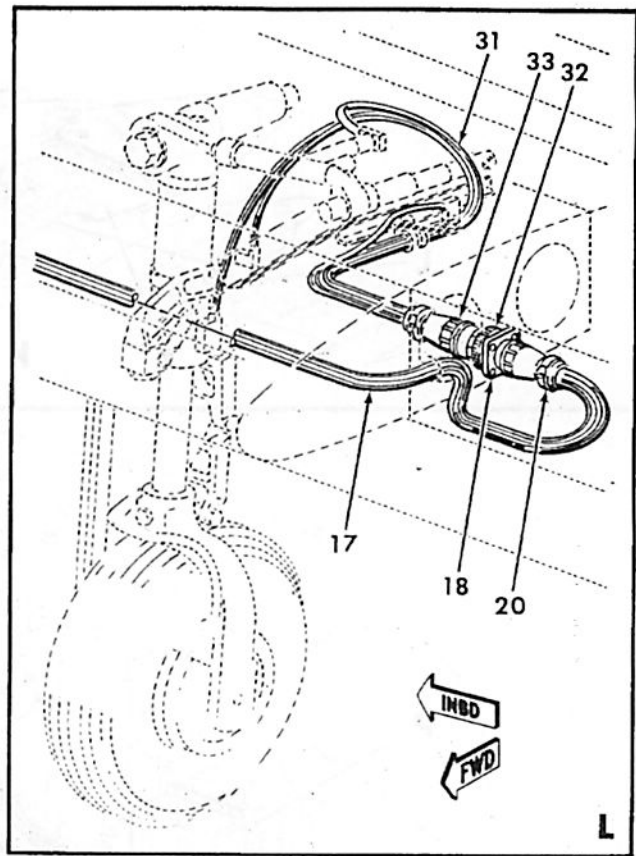
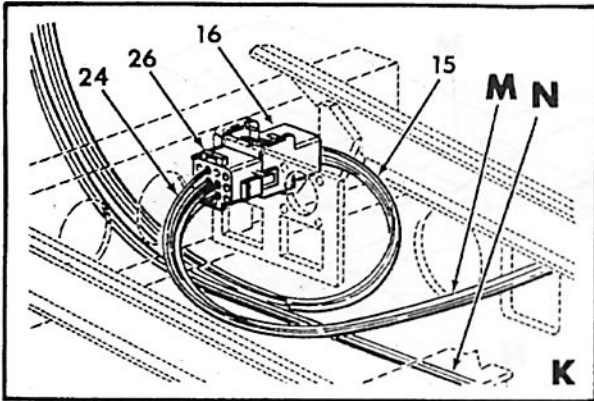
GRUMMAN AMERICAN AVIATION
GA-7/COUGAR
ILLUSTRATED PARTS CATALOG



Landing Gear Electrical Installation
 Figure 32-22 (Sheet 2 of 3)

32G74-22-2

GRUMMAN AMERICAN AVIATION
GA-7/COUGAR
ILLUSTRATED PARTS CATALOG



Landing Gear Electrical Installation
 Figure 32-22 (Sheet 3 of 3)

32G74-22-3

GRUMMAN AMERICAN AVIATION
GA-7/COUGAR
ILLUSTRATED PARTS CATALOG

Figure & Index No.	Part Number	Nomenclature	Units Per Assy	Usable On Code
32-22 -	7AV10110	LANDING GEAR ELECTRICAL INSTALLATION.....	RF	
- 1	7AV10110-1	.CABLE ASSEMBLY, ELECTRICAL (W22).....	1	
- 2	206070-1	..CLAMP, CABLE (13511).....	1	
- 3	206043-1	..CONNECTOR, RECEPTACLE, ELECTRICAL (J22) (13511).....	1	
- 4	206044-1	..CONNECTOR, PLUG, ELECTRICAL (P22) (13511).....	1	
- 5	7AV10110-2	.CABLE ASSEMBLY, ELECTRICAL (W23).....	1	
- 6	206070-1	..CLAMP, CABLE (13511).....	1	
- 7	1-480708-0	..CONNECTOR, PLUG, ELECTRICAL (P23) (13511).....	1	
- 8	7AV10110-3	.CABLE ASSEMBLY, ELECTRICAL (W24).....	1	
- 9	206426-1	..CONNECTOR, PLUG, ELECTRICAL (P24) (13511).....	1	
- 10	7AV10110-4	.CABLE ASSEMBLY, ELECTRICAL (W25).....	1	
- 11	1-480709-0	..CONNECTOR, RECEPTACLE, ELECTRICAL (J23) (13511).....	1	
- 12	1-480709-0	..CONNECTOR, RECEPTACLE, ELECTRICAL (J26) (13511).....	1	
- 13	7AV10110-5	.CABLE ASSEMBLY, ELECTRICAL (W26).....	1	
- 14	206425-1	..CONNECTOR, RECEPTACLE, ELECTRICAL (J24) (13511).....	1	
- 15	7AV10110-6	.CABLE ASSEMBLY, ELECTRICAL (W27).....	1	
- 16	1-480709-0	..CONNECTOR, RECEPTACLE, ELECTRICAL (J27) (13511).....	1	
- 17	7AV10110-7	.CABLE ASSEMBLY, ELECTRICAL (W28).....	1	
- 18	206443-1	..CONNECTOR, RECEPTACLE, ELECTRICAL (J29) (13511).....	1	
- 19	1-480708-0	..CONNECTOR, PLUG, ELECTRICAL (P26) (13511).....	1	
- 20	206070-1	..CLAMP, CABLE (13511).....	1	
- 21	7AV10110-8	.CABLE ASSEMBLY, ELECTRICAL (W29).....	1	
- 22	1-480707-0	..CONNECTOR, RECEPTACLE, ELECTRICAL (J28) (13511).....	1	
- 23	7AV10112-8	..DIODE ASSEMBLY (CR8).....	1	
- 24	7AV10110-9	.CABLE ASSEMBLY, ELECTRICAL (W30).....	1	
- 25	206043-1	..CONNECTOR, RECEPTACLE, ELECTRICAL (J30) (13511).....	1	
- 26	1-480708-0	..CONNECTOR, PLUG, ELECTRICAL (P27).....	1	
- 27	206070-1	..CLAMP, CABLE (13511).....	1	
- 28	7AV10110-10	.CABLE ASSEMBLY, ELECTRICAL (W31).....	1	
- 29	1-480705-0	..CONNECTOR, RECEPTACLE, ELECTRICAL (J46) (13511).....	1	
- 30	1-480706-0	..CONNECTOR, PLUG, ELECTRICAL (P28) (13511).....	1	
- 31	7AV10110-11	.CABLE ASSEMBLY, ELECTRICAL (W32).....	1	
- 32	206044-1	..CONNECTOR, PLUG, ELECTRICAL (P29) (13511).....	1	
- 33	206070-1	..CLAMP, CABLE (13511).....	1	
- 34	7AV10110-12	.CABLE ASSEMBLY, ELECTRICAL (W33).....	1	
- 35	206044-1	..CONNECTOR, PLUG, ELECTRICAL (P30) (13511).....	1	
- 36	206070-1	..CLAMP, CABLE (13511).....	1	
- 37	7AV10110-21	.CABLE ASSEMBLY, ELECTRICAL (W47).....	1	
- 38	480711-0	..CONNECTOR, PLUG, ELECTRICAL (P13) (13511).....	1	
- 39	7AV10110-13	.CABLE ASSEMBLY, ELECTRICAL (W48).....	1	
- 40	1-480710-0	..CONNECTOR, RECEPTACLE, ELECTRICAL (J44) (13511).....	1	
- 41	1-480711-0	..CONNECTOR, PLUG, ELECTRICAL (P44) (13511).....	1	
- 42	7AV10110-14	.CABLE ASSEMBLY, ELECTRICAL (W49).....	1	
- 43	7AV10112-8	..DIODE ASSEMBLY (CR9).....	1	
- 44	1-480710-0	..CONNECTOR, RECEPTACLE, ELECTRICAL (J45) (13511).....	1	
- 45	1-480711-0	..CONNECTOR, PLUG, ELECTRICAL (P45) (13511).....	1	
- 46	7AV10110-15	.CABLE ASSEMBLY, ELECTRICAL (W50).....	1	
- 47	1-480704-0	..CONNECTOR, PLUG, ELECTRICAL (P46) (13511).....	1	
- 48	7AV10101-8	.CABLE ASSEMBLY, ELECTRICAL (W8).....	1	
- 49	7AV10112-7	..DIODE ASSEMBLY (CR7).....	1	
- 50	1-480707-0	..CONNECTOR, RECEPTACLE, ELECTRICAL (J25) (13511).....	1	
- 51	1-480706-0	..CONNECTOR, PLUG, ELECTRICAL (P25) (13511).....	1	
- 52	1-480710-0	..CONNECTOR, RECEPTACLE, ELECTRICAL (J13) (13511).....	1	
- 53	283	.DUAL WARNING UNIT (83326).....	1	
		(ATTACHING PARTS)		
- 54	MS35206-261	.SCREW, MACHINE.....	4	
- 55	AN960D10L	.WASHER, FLAT.....	4	
- 56	MS21061-08	.NUT, PLATE.....	4	
- 57	MS25244-35	.CIRCUIT BREAKER, 35 AMP.....	1	

GRUMMAN AMERICAN AVIATION
GA-7/COUGAR
ILLUSTRATED PARTS CATALOG

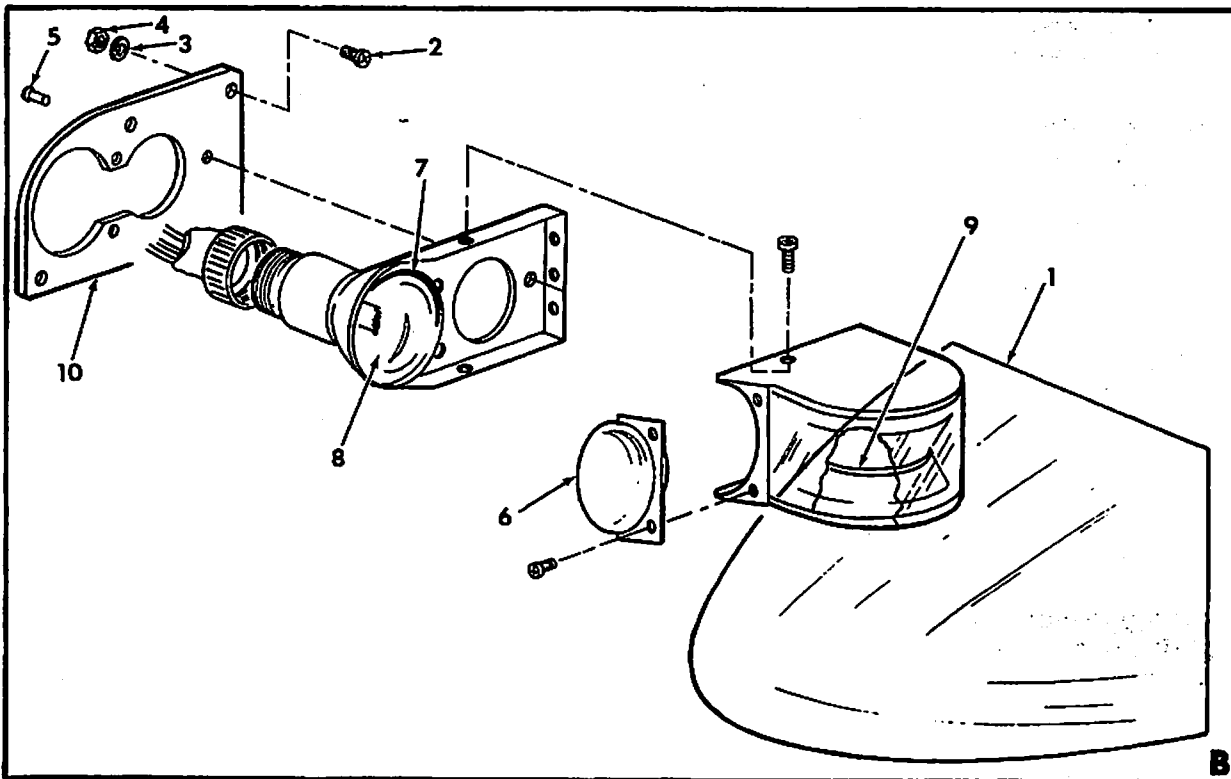
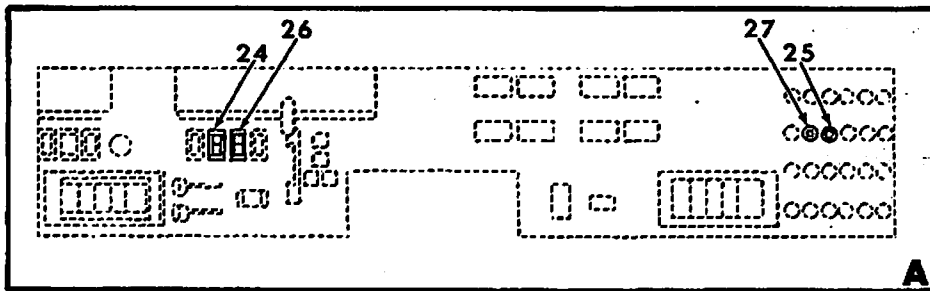
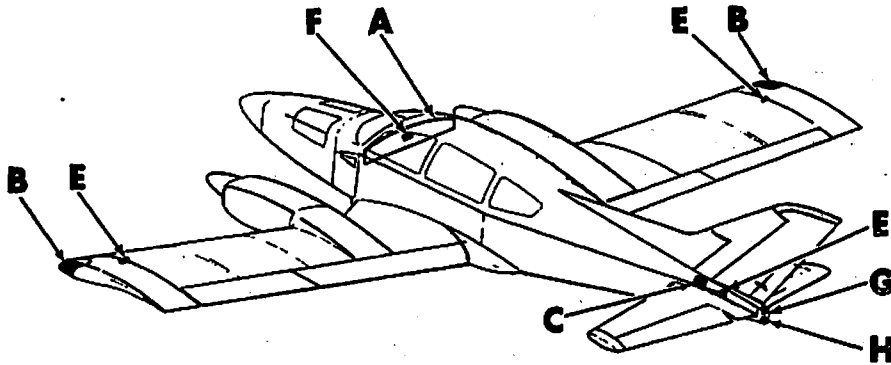
CHAPTER 33

LIGHTS

TABLE OF CONTENTS

<u>SUBJECT</u>	<u>FIGURE NUMBER</u>
NAVIGATION LIGHTS AND ANTI-COLLISION LIGHTS INSTALLATION	33-1
LANDING LIGHT INSTALLATION (OPTIONAL)	33-2
STEP/WINGWALK AND AFT BAGGAGE LIGHTS INSTALLATION (OPTIONAL)	33-3
FORWARD OVERHEAD LIGHTS INSTALLATION	33-4
AFT OVERHEAD LIGHTS INSTALLATION (OPTIONAL)	33-5
INSTRUMENT LIGHTS INSTALLATION	33-6

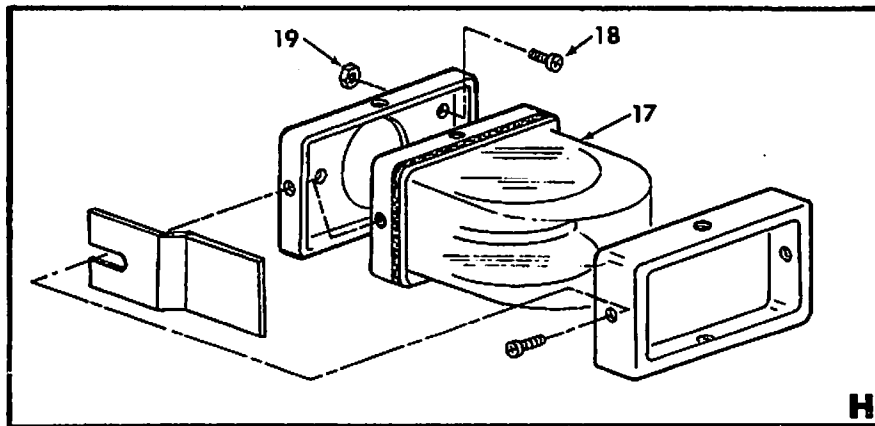
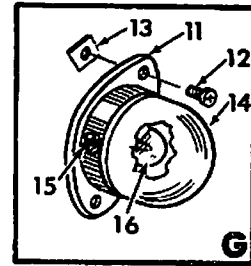
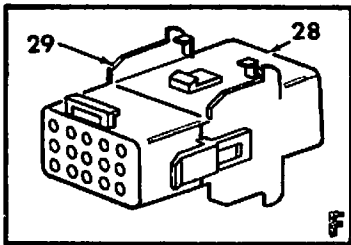
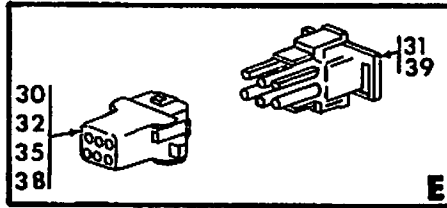
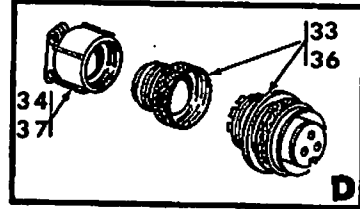
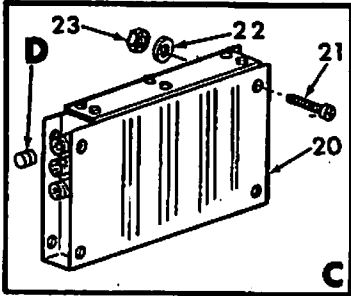
GRUMMAN AMERICAN AVIATION
GA-7/COUGAR
ILLUSTRATED PARTS CATALOG



Navigation Lights and Anti-Collision Lights Installation
 Figure 33-1 (Sheet 1 of 2)

33G74-01-1

GRUMMAN AMERICAN AVIATION
GA-7/COUGAR
ILLUSTRATED PARTS CATALOG



Navigation Lights and Anti-Collision Lights Installation
 Figure 33-1 (Sheet 2 of 2)

33G74-01-2

GRUMMAN AMERICAN AVIATION
GA-7/COUGAR
ILLUSTRATED PARTS CATALOG

Figure & Index No.	Part Number	Nomenclature 1 2 3 4 5 6 7	Units Per Assy	Usable On Code
33- 1 -	NO NUMBER	NAVIGATION LIGHTS AND ANTI-COLLISION LIGHTS.....	NP	
- 1	7W10701-15	INSTALLATION (SEE GAAC DRAWING 7F10908)		
	7W10701-16	.LENS (LH) (SEE CHAPTER 57 FOR BREAKDOWN).....	RF	
	7F10908-5	.LENS (RH) (SEE CHAPTER 57 FOR BREAKDOWN).....	RF	
	7F10908-6	.LIGHT ASSEMBLY (LH).....	1	
		.LIGHT ASSEMBLY (RH).....	1	
		(ATTACHING PARTS)		
- 2	AN526-832-8	.SCREW.....	4	
- 3	AN960-8	.WASHER.....	4	
- 4	MS21083N08	.NUT.....	4	
	30-0863-11	..NAVIGATION AND STROBE LIGHT ASSEMBLY (LH).....	1	
		(72914)		
	30-0863-12	..NAVIGATION AND STROBE LIGHT ASSEMBLY (RH).....	1	
		(72914)		
		(ATTACHING PARTS)		
- 5	1601-0410	..RIVET (19738).....	3	
- 6	31-3376-1	...LENS (LH RED) (72914).....	1	
	31-3376-2	...LENS (RH GREEN) (72914).....	1	
	MS51957-13	...SCREW.....	2	
- 7	A-1257A-3	...GASKET (72914).....	1	
- 8	A-7512-12	...BULB, NAVIGATION LIGHT (72914).....	1	
- 9	31-3078-9	...FLASHTUBE ASSEMBLY (72914) (OPTIONAL).....	1	
	MS51957-27	...SCREW.....	4	
- 10	7F10914-11	..PLATE, GROUND.....	1	
- 11	A-2064-17-1073	.LIGHT, NAVIGATION TAIL (72914).....	1	
		(ATTACHING PARTS)		
- 12	GAES102126-6	.SCREW.....	2	
- 13	A15263-42-1	.NUT, SPEC (78533).....	2	
- 14	A-4513-1	..LENS (72914).....	1	
- 15	A-2109-3	..GASKET (72914).....	1	
- 16	1073	..BULB (72914).....	1	
- 17	30-0876-7	.LIGHT, STROBE, TAIL (72914) (OPTIONAL).....	1	
		(ATTACHING PARTS)		
- 18	AN526-832-8	.SCREW.....	3	
- 19	MS21083N08	.NUT.....	3	
- 20	60-1750-1	.POWER SUPPLY (72914) (OPTIONAL).....	1	
		(ATTACHING PARTS)		
- 21	MS35207-262	.SCREW.....	4	
- 22	AN960D10	.WASHER.....	4	
- 23	MS21042-3	.NUT.....	4	
- 24	TA-201-TB-W	.SWITCH, ROCKER, STROBE (73559) (OPTIONAL).....	1	
- 25	1600-019-100	.CIRCUIT BREAKER, STROBE (05231) (OPTIONAL).....	1	
- 26	TA-201-TB-W	.SWITCH, ROCKER, NAVIGATION LIGHT (73559).....	1	
- 27	1600-019-100	.CIRCUIT BREAKER, NAVIGATION LIGHT (05231).....	1	
	7AV10102-2	.CABLE ASSEMBLY (W35) (REFER TO SPECIFIC.....	1	
		CHAPTERS AND SYSTEMS FOR ADDITIONAL COMPONENTS)		
- 28	1-480707-0	..CONNECTOR, CAP HOUSING (J31) (00779).....	1	
- 29	1-480706-0	..CONNECTOR, PLUG HOUSING (P31) (00779).....	1	
	7AV10102-3	.CABLE ASSEMBLY (W36) (LH).....	1	
	7AV10102-5	.CABLE ASSEMBLY (W38) (RH).....	1	
- 30	1-480705-0	..CONNECTOR, CAP HOUSING (J32, J33) (00779).....	1	
	7AV10102-4	.CABLE ASSEMBLY (W37) (REFER TO SPECIFIC.....	1	
		CHAPTERS AND SYSTEMS FOR ADDITIONAL COMPONENTS)		

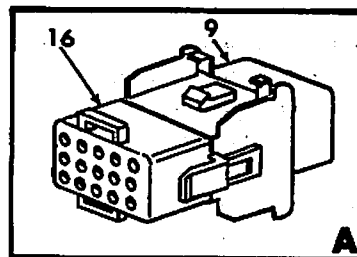
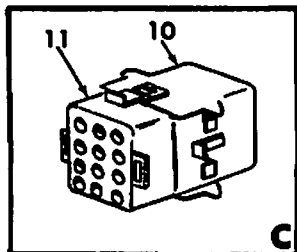
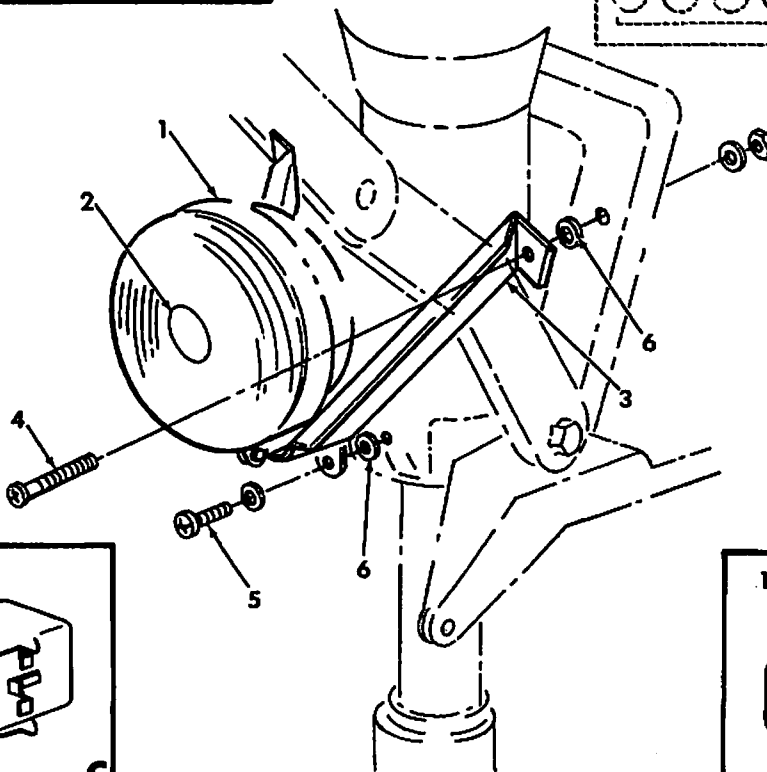
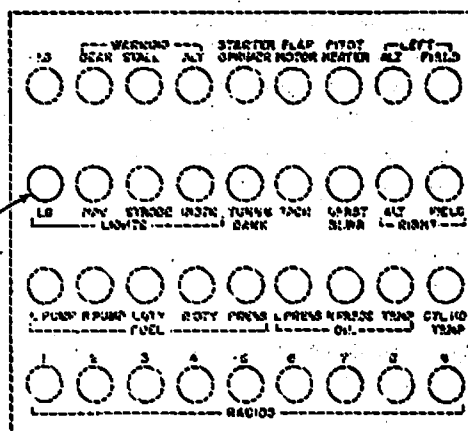
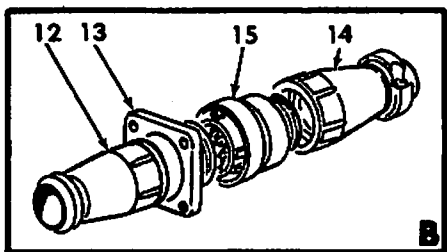
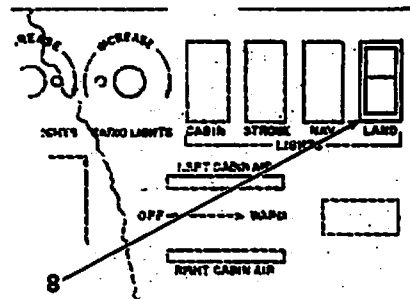
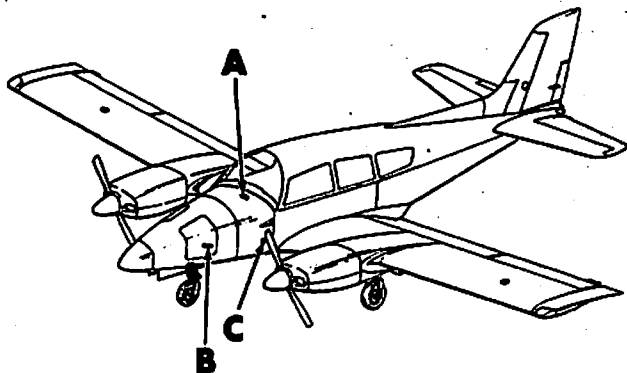
GRUMMAN AMERICAN AVIATION

GA-7/COUGAR

ILLUSTRATED PARTS CATALOG

Figure & Index No.	Part Number	Nomenclature	Units Per Assy	Usable On Code
33- 1 - 30	7AV10102-6	..CABLE ASSEMBLY (M39)(REFER TO SPECIFIC CHAPTERS AND SYSTEMS FOR ADDITIONAL COMPONENTS)	1	
- 31	1-480704-0	..CONNECTOR, PLUG HOUSING (P32, P33) (00779)	1	
	7AV10102-7	..CABLE ASSEMBLY (M40)(REFER TO SPECIFIC CHAPTERS AND SYSTEMS FOR ADDITIONAL COMPONENTS)	1	
	7AV10102-9	..CABLE ASSEMBLY (M42)(REFER TO SPECIFIC CHAPTERS AND SYSTEMS FOR ADDITIONAL COMPONENTS)	1	
- 32	1-480705-0	..CONNECTOR, CAP HOUSING (J37, J39) (00779)	1	
- 33	MS3106A-10L-3S	..CONNECTOR, CABLE (P34, P36)	1	
- 34	MS3057-4A	..CLAMP, CABLE	1	
	7AV10102-10	..CABLE ASSEMBLY (M45)	1	
- 35	1-480705-0	..CONNECTOR, CAP HOUSING (J43) (00779)	1	
- 36	MS3106A-10L-3S	..CONNECTOR, CABLE (P35)	1	
- 37	MS3057-4A	..CLAMP, CABLE	1	
	7AV10102-8	..CABLE ASSEMBLY (M41)	1	
- 38	1-480705-0	..CONNECTOR, CAP HOUSING (J38) (00779)	1	
- 39	1-480704-0	..CONNECTOR, PLUG HOUSING (P43) (00779)	1	

GRUMMAN AMERICAN AVIATION
GA-7/COUGAR
ILLUSTRATED PARTS CATALOG



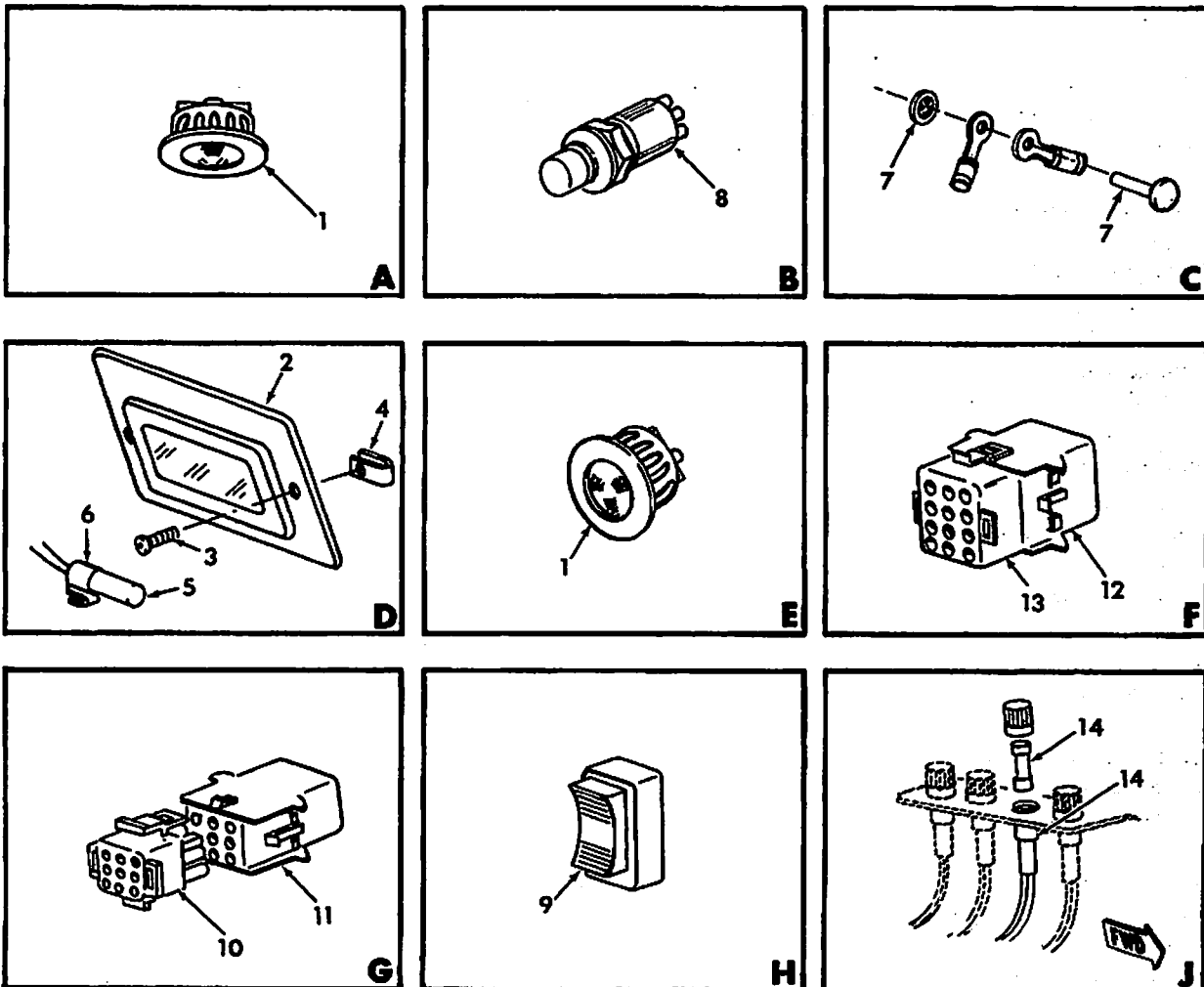
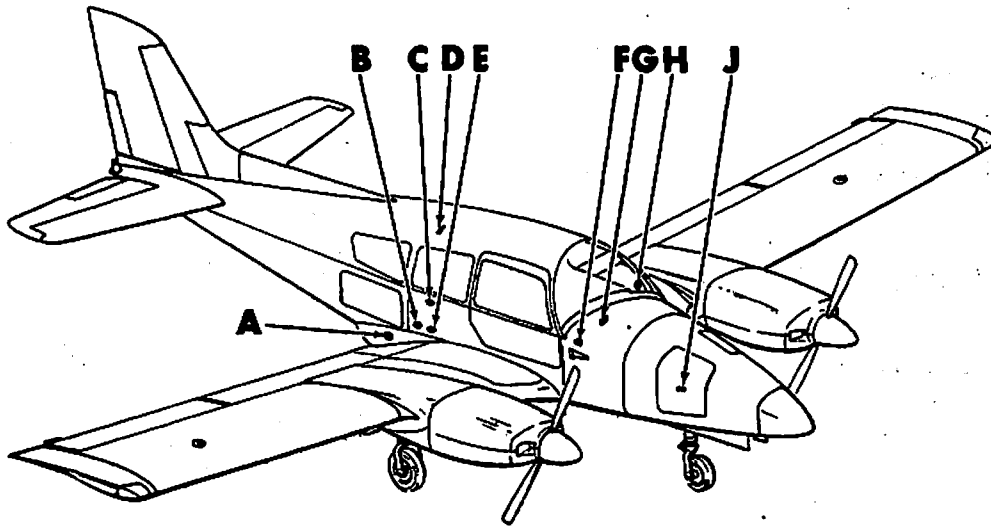
Landing Light Installation
 Figure 33-2

33G74-02

GRUMMAN AMERICAN AVIATION
GA-7/COUGAR
ILLUSTRATED PARTS CATALOG

Figure & Index No.	Part Number	Nomenclature							Units Per Assy.	Usable On Code
		1	2	3	4	5	6	7		
33- 2 -	7L10209-1	LANDING LIGHT INSTALLATION (OPTIONAL).....							NP	
- 1	B-4150B-2	.LIGHT ASSEMBLY, LANDING (72914).....							1	
- 2	MS25243-4509	.LAMP, LANDING LIGHT.....							1	
- 3	7L10293-11	.SUPPORT.....							1	
		(ATTACHING PARTS)								
- 4	NAS220-20	.SCREW.....							2	
	AN960-8	.WASHER.....							2	
	MS21042-08	.NUT.....							2	
- 5	NAS220-5	.SCREW.....							1	
	AN960-8	.WASHER.....							1	
- 6	AN960-10L	.WASHER (USE TO ADJUST LANDING LIGHT).....							AR	
- 7	1600-019-200	.CIRCUIT BREAKER (2C ANP) (05231).....							1	
- 8	TA-201-TB-W	.SWITCH, ROCKER.....							1	
	7AV10102-2	.CABLE ASSEMBLY (W35) (REFER TO SPECIFIC CHAPTERS AND SYSTEMS FOR ADDITIONAL COMPONENTS)							1	
- 9	1-480707-0	.CONNECTOR, CAP HOUSING (00779).....							1	
	7AV10110-4	.CABLE ASSEMBLY (W25) (REFER TO SPECIFIC CHAPTERS AND SYSTEMS FOR ADDITIONAL COMPONENTS)							1	
- 10	1-480709-0	.CONNECTOR, CAP HOUSING (J23) (00779).....							1	
	7AV10110-2	.CABLE ASSEMBLY (W23) (REFER TO SPECIFIC CHAPTERS AND SYSTEMS FOR ADDITIONAL COMPONENTS)							1	
- 11	1-480708-0	.CONNECTOR, PLUG HOUSING (P23) (00779).....							1	
- 12	206070-1	.CLAMP, CABLE (00779).....							1	
- 13	206043-1	.CONNECTOR, RECEPTACLE (J22) (00779).....							1	
	7AV10110-1	.CABLE ASSEMBLY (W22) (REFER TO SPECIFIC CHAPTERS AND SYSTEMS FOR ADDITIONAL COMPONENTS)							1	
- 14	206070-1	.CLAMP, CABLE (00779).....							1	
- 15	206044-1	.CONNECTOR, PLUG (P22) (00779).....							1	
- 16	1-480706-0	.CONNECTOR, PLUG HOUSING (P31) (00779).....							1	

GRUMMAN AMERICAN AVIATION
GA-7/COUGAR
ILLUSTRATED PARTS CATALOG



Step/Wingwalk and Aft Baggage Lights Installation (Optional)
 Figure 33-3

33G74-03

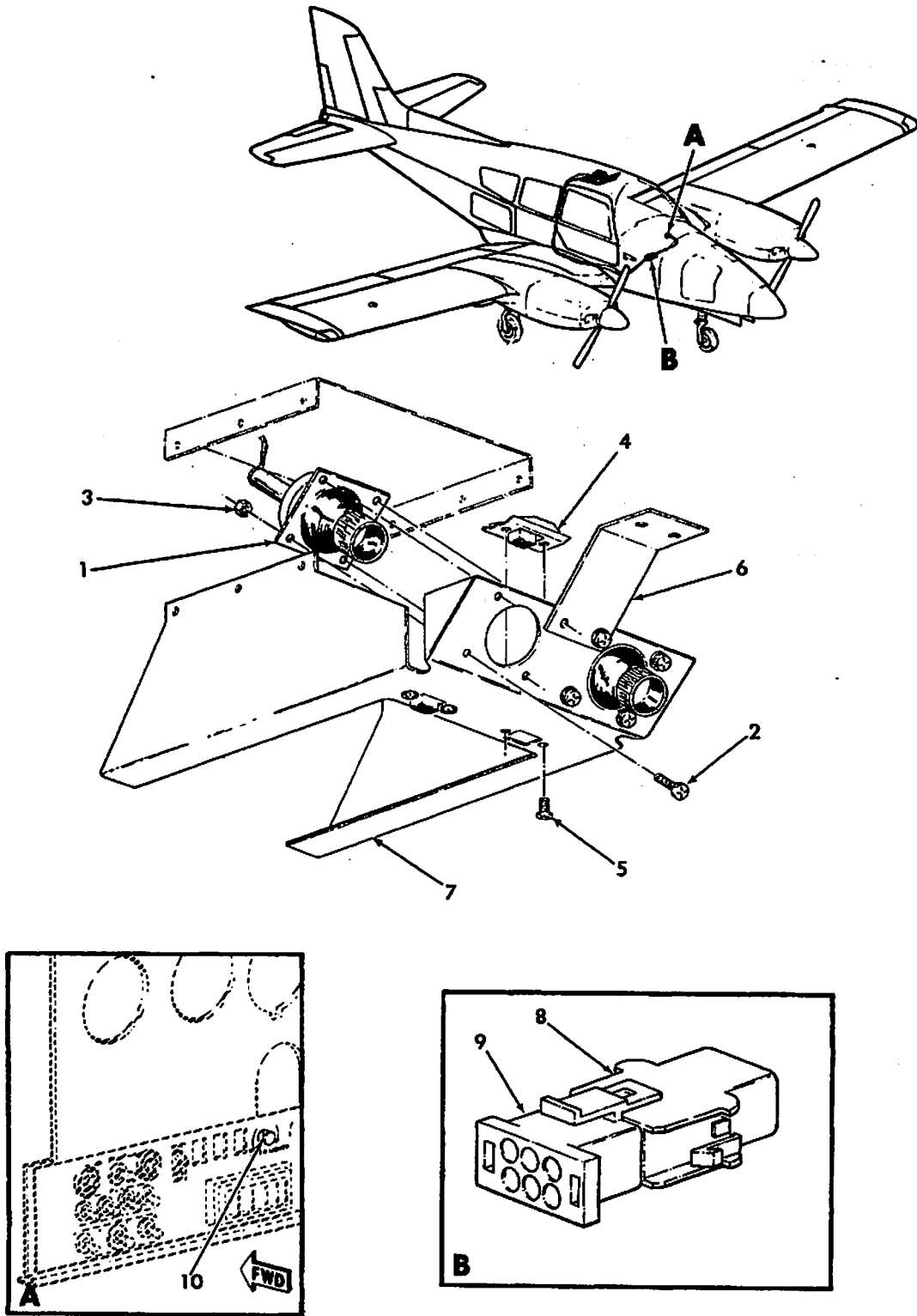
GRUMMAN AMERICAN AVIATION

GA-7/COUGAR

ILLUSTRATED PARTS CATALOG

Figure & Index No.	Part Number	Nomenclature	Units Per Assy	Usable On Code
33- 3 -	NO NUMBER.	STEP/WINGWALK AND AFT BAGGAGE LIGHTS.....	NP	
- 1	2690A42	INSTALLATION (OPTIONAL)		
- 2	7FP10919-5	.LAMP, INCANDESCENT (918021).....	2	
- 3	GAES1021Z-4-6	.COVER ASSEMBLY.....	1	
- 4	A6187-4Z-1	(ATTACHING PARTS)		
- 5	1816	.SCREW.....	2	
- 6	2-03	.CLIP (78553).....	2	
- 7	1601-0410			
- 8	AN936-B8	.LAMP (08806).....	1	
- 9	J313P6	.LAMPHOLDER (LEE CRAFT).....	1	
- 10	LT11B51-65-WH-AM-NBLXGR1	.RIVET (19738).....	1	
- 11	1-480706-0	.WASHER.....	1	
- 12	7AV10102-2	.SWITCH, PUSHBUTTON (09298).....	1	
- 13	1-480707-0	.SWITCH, LIGHTEC TOGGLE (73559).....	1	
- 14	7AV10101-6	.CONNECTOR, PLUG HOUSING (P31) (00779).....	1	
		.CABLE ASSEMBLY (W35) (REFER TO SPECIFIC.....	1	
		CHAPTERS AND SYSTEMS FOR ADDITIONAL		
		COMPONENTS)		
		.CONNECTOR, CAP HOUSING (J31) (00779).....	1	
		.CABLE ASSEMBLY (W6) (REFER TO SPECIFIC.....	1	
		CHAPTERS AND SYSTEMS FOR ADDITIONAL		
		COMPONENTS)		
		.CONNECTOR, CAP HOUSING (J11) (00779).....	1	
		.CABLE ASSEMBLY (W2) (REFER TO SPECIFIC.....	1	
		CHAPTERS AND SYSTEMS FOR ADDITIONAL		
		COMPONENTS)		
		.CONNECTOR, PLUG HOUSING (P11) (00779).....	1	
		.FUSE, 5 AMP (F6) (71400).....	1	
		.FUSEHOLDER (71400).....	1	

GRUMMAN AMERICAN AVIATION
GA-7/COUGAR
ILLUSTRATED PARTS CATALOG



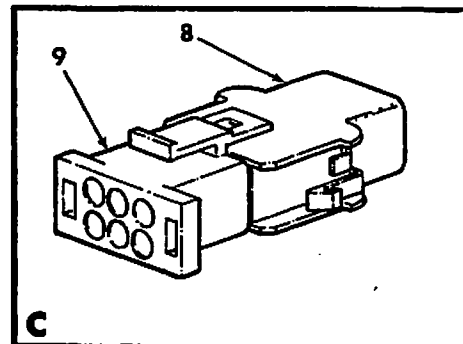
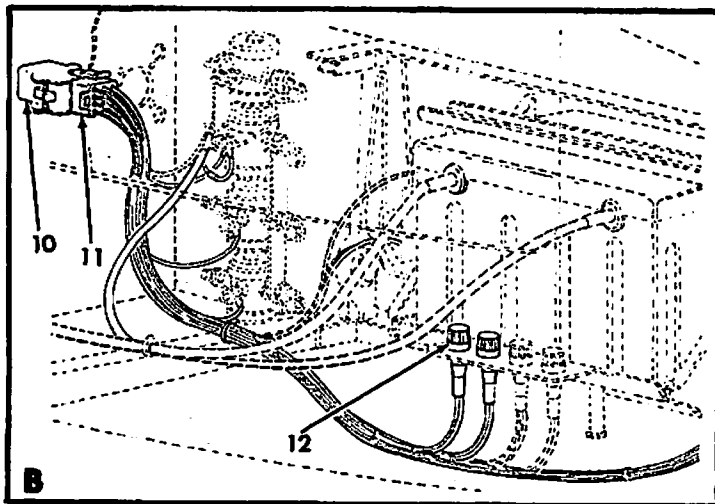
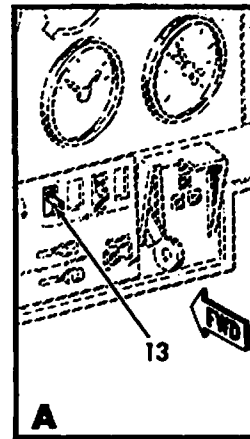
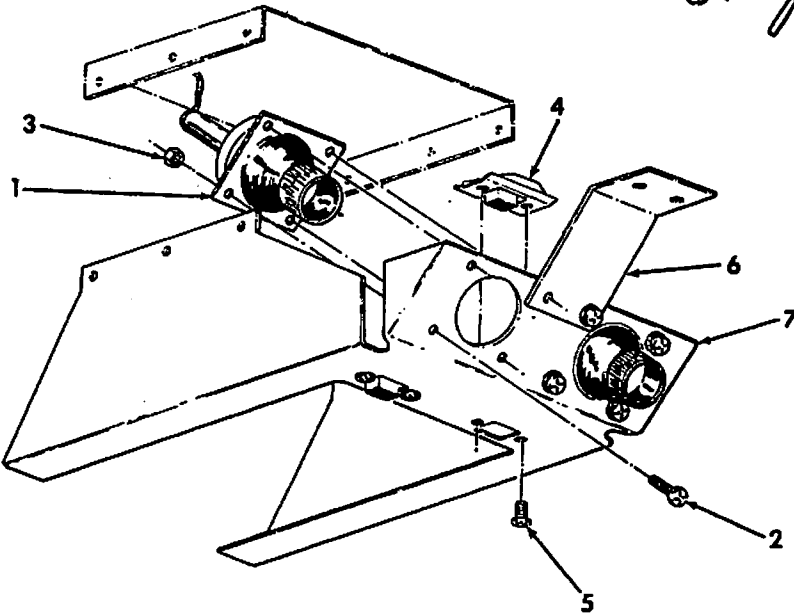
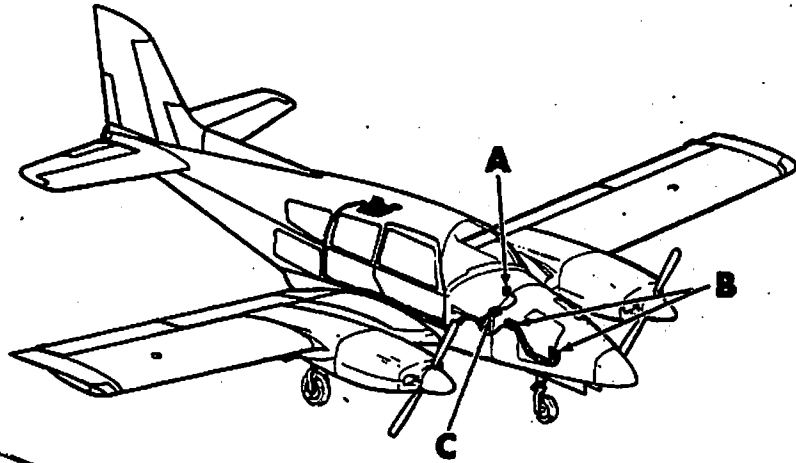
Forward Overhead Lights Installation
Figure 33-4

33074-04

GRUMMAN AMERICAN AVIATION
GA-7/COUGAR
ILLUSTRATED PARTS CATALOG

Figure & Index No.	Part Number	Nomenclature	Units Per Assy	Usable On Code
33- 4 -	7F10160-1	FORWARD OVERHEAD LIGHTS INSTALLATION.....	NP	
- 1	2315	.LIGHT ASSEMBLY (83564).....	2	
		(ATTACHING PARTS)		
- 2	AN526-832-B	.SCREW.....	4	
- 3	AC356-832	.NUT, LOCK (77122).....	4	
	1414	..BULB (83564).....	1	
- 4	8061K9	.SWITCH, SLIDE (27191).....	2	
		(ATTACHING PARTS)		
- 5	AN515C3R4	.SCREW.....	2	
- 6	7F10616-17	.BRACKET.....	1	
- 7	7F10616-1	.BRACKET ASSEMBLY.....	1	
	7AV10600-5	.CABLE ASSEMBLY (W105) (REFER TO SPECIFIC.....	1	
		CHAPTERS AND SYSTEMS FOR ADDITIONAL		
		COMPONENTS)		
- 8	1-480705-0	..CONNECTOR, CAP HOUSING (J4) (00779).....	1	
	7AV10600-4	.CABLE ASSEMBLY (W1C4) (REFER TO SPECIFIC.....	1	
		CHAPTERS AND SYSTEMS FOR ADDITIONAL		
		COMPONENTS)		
- 9	1-480704-0	..CONNECTOR, PLUG HOUSING (P4) (00779).....	1	
- 10	7F10104-1	.DIMMER, INSTRUMENT LIGHTS (SEE FIGURE 33-6).....	RF	

GRUMMAN AMERICAN AVIATION
GA-7/COUGAR
ILLUSTRATED PARTS CATALOG



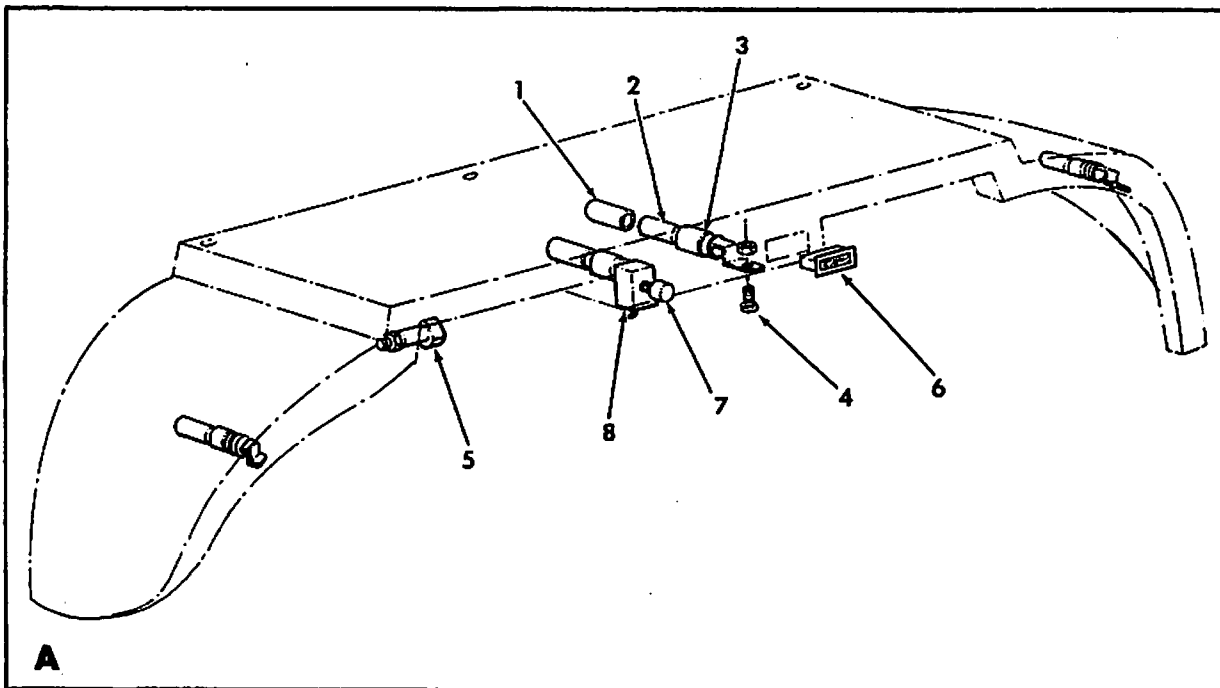
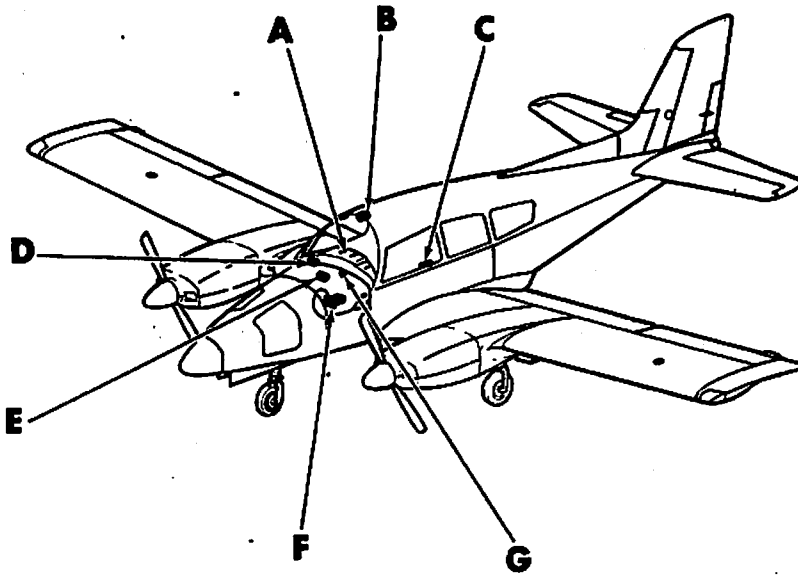
Aft Overhead Lights Installation (Optional)
 Figure 33-5

33G74-05

GRUMMAN AMERICAN AVIATION
GA-7/COUGAR
ILLUSTRATED PARTS CATALOG

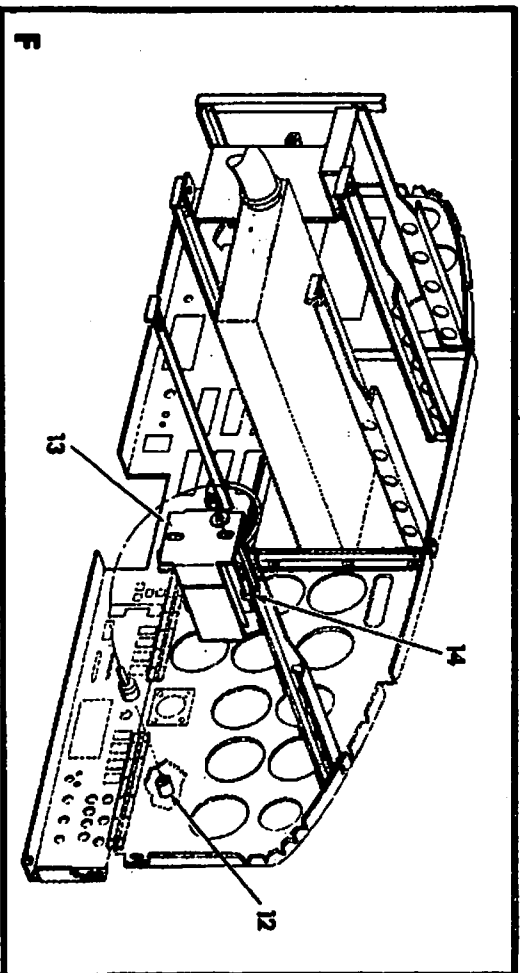
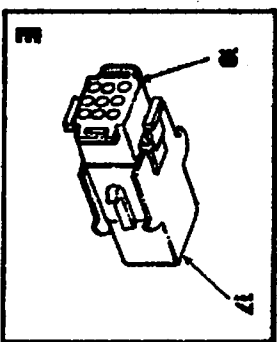
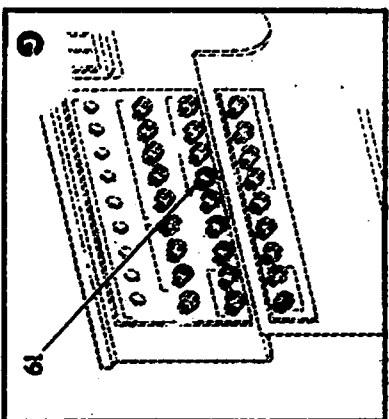
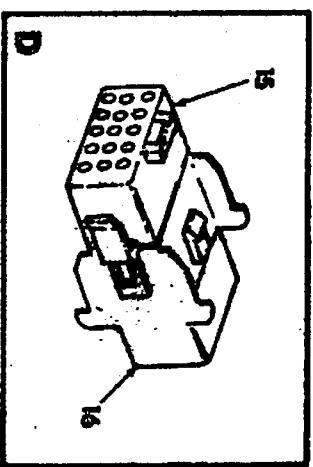
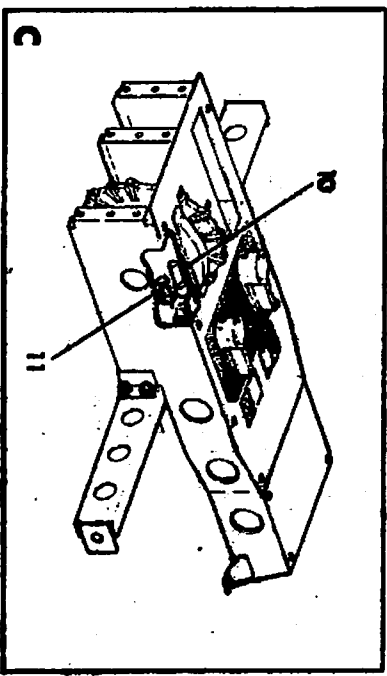
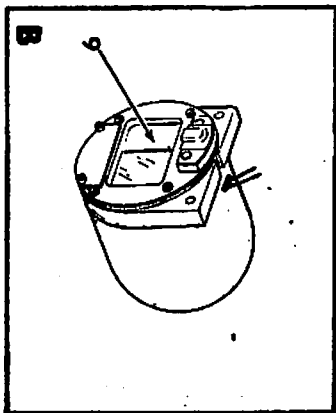
Figure & Index No.	Part Number	Nomenclature 1 2 3 4 5 6 7	Units Per Assy	Usable On Code
33- 5 -	7F10161-1	AFT OVERHEAD LIGHTS INSTALLATION (OPTIONAL).....	NP	
- 1	2315	.LIGHT ASSEMBLY (83564)..... (ATTACHING PARTS)	2	
- 2	AN526-832-8	.SCREW.....	4	
- 3	AC356-832	.NUT, LOCK (77122).....	4	
- 4	8061K9	.SWITCH, SLIDE (27191)..... (ATTACHING PARTS)	2	
- 5	AN515C3R4	.SCREW.....	2	
- 6	7F10616-17	.BRACKET.....	1	
- 7	7F10616-1 7AV10600-5	.BRACKET ASSEMBLY..... .CABLE ASSEMBLY (W105) (REFER TO SPECIFIC..... CHAPTERS AND SYSTEMS FOR ADDITIONAL COMPONENTS)	1 1	
- 8	1-480705-0 7AV10600-4	..CONNECTOR, CAP HOUSING (J4) (00779)..... .CABLE ASSEMBLY (W104) (REFER TO SPECIFIC..... CHAPTERS AND SYSTEMS FOR ADDITIONAL COMPONENTS)	1 1	
- 9	1-480704-0 7AV10101-6	..CONNECTOR, PLUG HOUSING (P4) (00779)..... .CABLE ASSEMBLY (W6) (REFER TO SPECIFIC..... CHAPTERS AND SYSTEMS FOR ADDITIONAL COMPONENTS)	1 1	
- 10	1-480709-0 7AV10101-2	..CONNECTOR, CAP HOUSING (J11) (00779)..... .CABLE ASSEMBLY (W2) (REFER TO SPECIFIC..... CHAPTERS AND SYSTEMS FOR ADDITIONAL COMPONENTS)	1 1	
- 11	1-480708-0	..CONNECTOR, PLUG HOUSING (P11) (00779).....	1	
- 12	AGC-5 HHJ	..FUSE, 5 AMP (F6) (71400)..... ..FUSEHOLDER (71400).....	1 1	
- 13	TA201-TB-W	.SWITCH, RCCKER (73555).....	1	

GRUMMAN AMERICAN AVIATION
GA-7/COUGAR
ILLUSTRATED PARTS CATALOG



Instrument Lights Installation
Figure 33-6 (Sheet 1 of 2)

33G74-08-1



Instrument Lights Installation
Figure 33-6 (Sheet 2 of 2)

GRUMMAN AMERICAN AVIATION

GA-7/COUGAR

ILLUSTRATED PARTS CATALOG

Figure & Index No.	Part Number	Nomenclature 1 2 3 4 5 6 7	Units Per Assy	Usable On Code
33- 6 -	NO NUMBER	INSTRUMENT LIGHTS INSTALLATION.....	NP	
- 1	0165-100-2	.FILTER, BLUE (MDC SUNNYVALE CALIF).....	4	
- 2	1816	.BULB (08806).....	4	
- 3	7-20	.SOCKET, LIGHT (LEE CRAFT CORP).....	4	
		(ATTACHING PARTS)		
- 4	GAES1021Z6-68	.SCREW.....	1	
	G1784-62-1	.NUT.....	1	

- 5	5952-W-6	.LIGHT ASSEMBLY, BOLT (22973).....	4	
- 6	47XPSE14573	.LIGHT, FLASHING (LEE CRAFT CORP).....	1	
- 7	SA44SDW11-3	.SWITCH, PUSH (27191).....	1	
- 8	SM2AA10	.BEZEL (27191).....	1	
- 9	330	.LAMP, COMPASS (08806).....	1	
- 10	0165-100-2	.FILTER, BLUE (MDC SUNNYVALE CALIF).....	1	
	1816	.BULB (08806).....	1	
	7-06	.SOCKET, LIGHT (LEE CRAFT CORP).....	1	
		(ATTACHING PARTS)		
- 11	1604-0412	.RIVET (19738).....	1	
	AN960-6	.WASHER.....	1	

- 12	1900-1L	.KNOB, DIMMER (31722).....	1	
- 13	B-00319-1	.DIMMER, INSTRUMENT LIGHTING (75376).....	1	
		(ATTACHING PARTS)		
- 14	NS35206-247	.SCREW.....	2	
	AN960-8L	.WASHER.....	2	
	NS20364-832	.NUT.....	2	

	7AV10101-22	.CABLE ASSEMBLY (W47) (REFER TO SPECIFIC.....	1	
		CHAPTERS AND SYSTEMS FOR ADDITIONAL		
		COMPONENTS)		
- 15	1-480710-0	.CONNECTOR, PLUG HOUSING (P13) (00779).....	1	
	7AV10102-1	.CABLE ASSEMBLY (W34) (REFER TO SPECIFIC.....	1	
		CHAPTERS AND SYSTEMS FOR ADDITIONAL		
		COMPONENTS)		
- 16	1-480711-0	.CONNECTOR, CAP HOUSING (J13) (00779).....	1	
	7AV10110-8	.CABLE ASSEMBLY (W29) (REFER TO SPECIFIC.....	1	
		CHAPTERS AND SYSTEMS FOR ADDITIONAL		
		COMPONENTS)		
- 17	1-480709-0	.CONNECTOR, CAP HOUSING (J28) (00779).....	1	
	7AV10110-10	.CABLE ASSEMBLY (W31) (REFER TO SPECIFIC.....	1	
		CHAPTERS AND SYSTEMS FOR ADDITIONAL		
		COMPONENTS)		
- 18	1-480706-0	.CONNECTOR, PLUG HOUSING (P28) (00779).....	1	
- 19	1600-019-050	.CIRCUIT BREAKER (5 AMP) (05231).....	1	

CHAPTER 34
NAVIGATION
TABLE OF CONTENTS

<u>SUBJECT</u>	<u>FIGURE NUMBER</u>
COMPASS INSTALLATION	34-1
AIR TEMPERATURE GAGE INSTALLATION	34-2
AIR SPEED SYSTEM INSTALLATION	34-3
GYRO PRESSURE AIR SYSTEM INSTALLATION (OPTIONAL)	34-4
TURN AND BANK INDICATOR INSTALLATION (OPTIONAL)	34-5
CLOCK INSTALLATION (OPTIONAL)	34-6
NAVIGATION EQUIPMENT, OPTIONS 1 AND 2	34-7
NAVIGATION EQUIPMENT OPTIONS NARCO	34-8
NAV 121 OMNI RECEIVER INSTALLATION, NAV 1 (OPTIONAL)	34-9
NAV 122 ILS RECEIVER INSTALLATION NAV 1, WITH MARKER BEACON (OPTIONAL)	34-10
NAV 122 ILS RECEIVER INSTALLATION, NAV 2 WITH GLIDESLOPE (OPTIONAL)	34-11
ADF 141 AUTOMATIC DIRECTION FINDER INSTALLATION (OPTIONAL)	34-12
AT 150 TRANSPONDER INSTALLATION (OPTIONAL)	34-13
ALTITUDE ENCODER INSTALLATION (OPTIONAL)	34-14
DME 190 DISTANCE MEASURING EQUIPMENT INSTALLATION (OPTIONAL)	34-15
NAVIGATION EQUIPMENT OPTIONS, COLLINS	34-16
VIR 351/IND 351/GLS 350 NAV RECEIVER AND ILS INDICATOR WITH GLIDESLOPE INSTALLATION, NAV 1 (OPTIONAL)	34-17
GLS350 GLIDESLOPE RECEIVER INSTALLATION (OPTIONAL)	34-18
VIR351/IND 350 OMNI RECEIVER AND VOR INDICATOR INSTALLATION NAV 2 (OPTIONAL)	34-19
ADF 650 AUTOMATIC DIRECTION FINDER INSTALLATION (OPTIONAL)	34-20
TDR 950 TRANSPONDER INSTALLATION (OPTIONAL)	34-21
AMR 350 AUDIO/MARKER CONTROL PANEL INSTALLATION (OPTIONAL)	34-22
NAVIGATION EQUIPMENT OPTIONS, KING	34-23

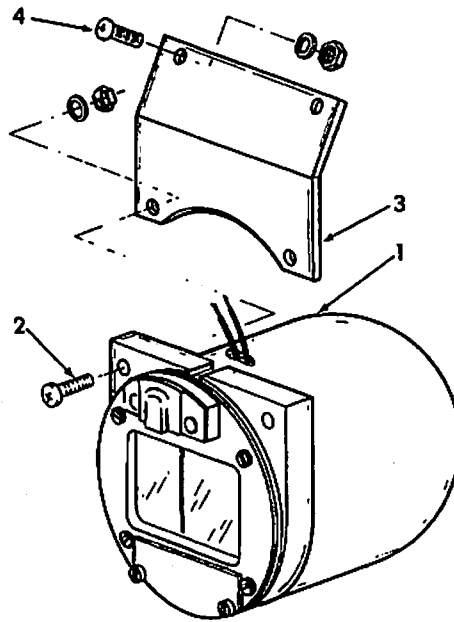
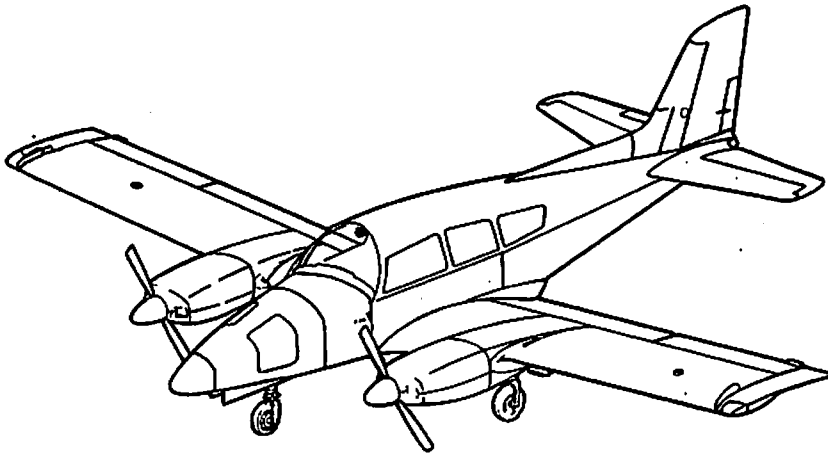
CHAPTER 34

NAVIGATION

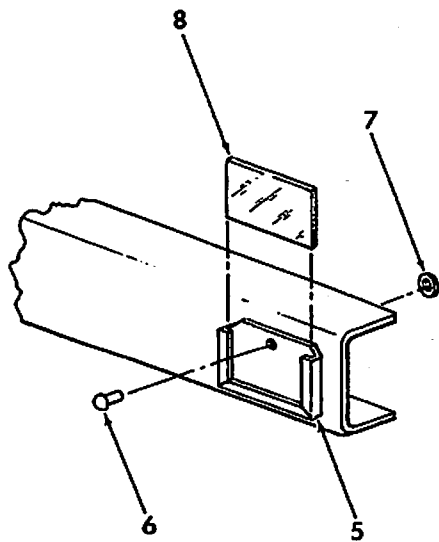
TABLE OF CONTENTS (Continued)

<u>SUBJECT</u>	<u>FIGURE NUMBER</u>
KX175B/K1203 OMNI RECEIVER AND VOR/LOC INDICATOR INSTALLATION	34-24
KX175B/KI204/KN75 ILS TRANSCEIVER AND VOR/LOC INDICATOR WITH GLIDESLOPE INSTALLATION (OPTIONAL)	34-25
KT76A TRANSPONDER INSTALLATION (OPTIONAL)	34-26
KR85/KI225/KA42B AUTOMATIC DIRECTION FINDER INSTALLATION (OPTIONAL)	34-27
KN75A/KI266 DME RECEIVER AND INDICATOR INSTALLATION (OPTIONAL)	34-28
KMA20 AUDIO/MARKER CONTROL PANEL INSTALLATION (OPTIONAL)	34-29

GRUMMAN AMERICAN AVIATION
GA-7/COUGAR
ILLUSTRATED PARTS CATALOG



A34G74-01



ROTATED 180°

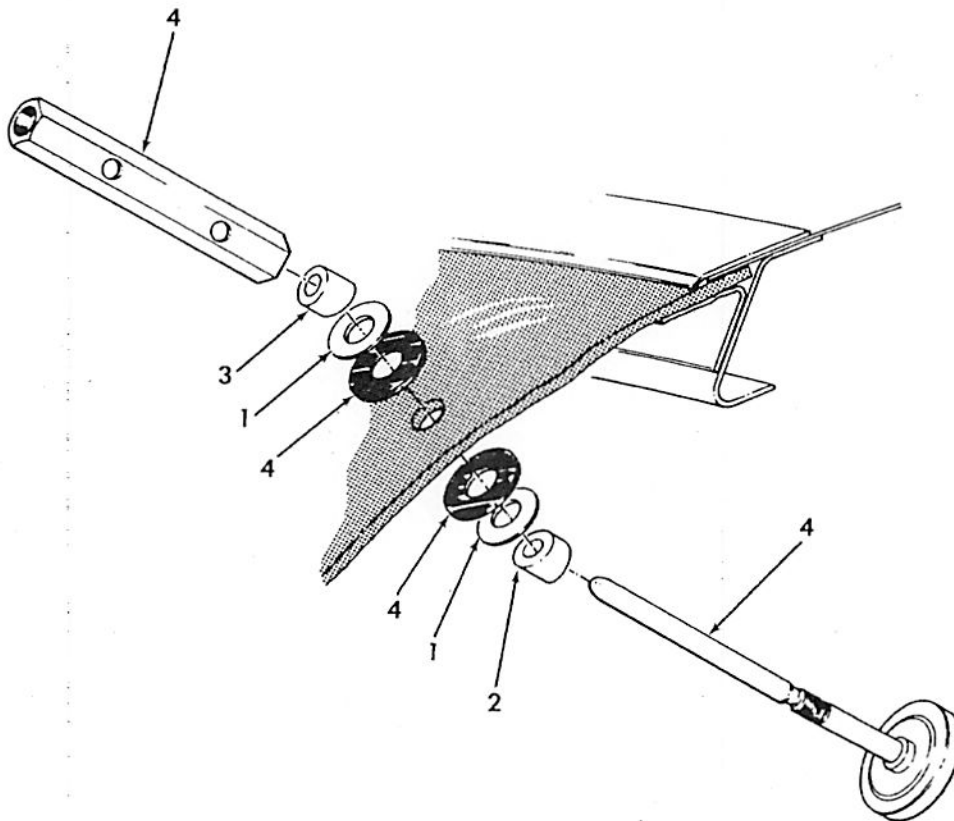
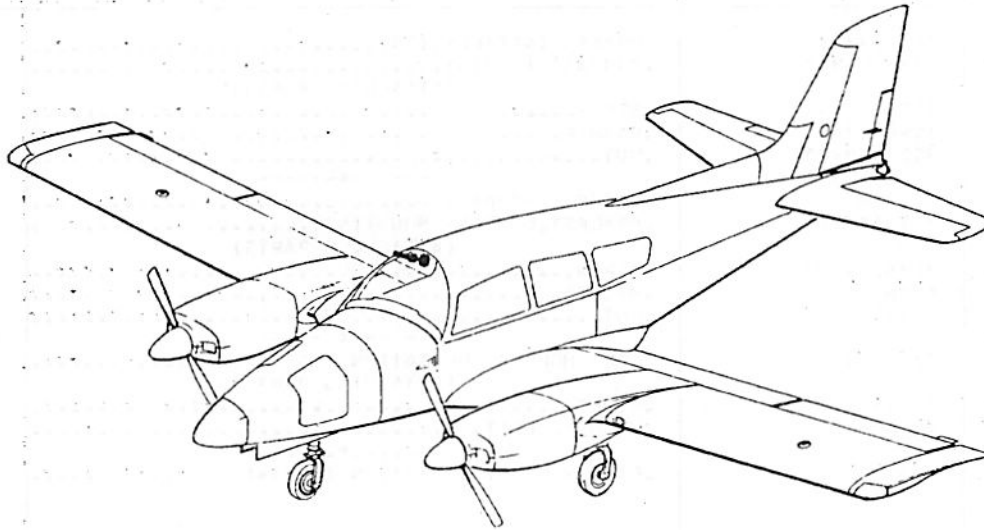
Compass Installation
Figure 34-1

GRUMMAN AMERICAN AVIATION

GA-7/COUGAR

ILLUSTRATED PARTS CATALOG

Figure & Index No.	Part Number	Nomenclature							Units Per Assy	Usable On Code
		1	2	3	4	5	6	7		
34- 1 - - 1 - 2 - 3 - 4 - 5 - 6 - 7 - 8	7F11172-1	COMPASS INSTALLATION.....							NP	
	C23501473	.COMPASS (70214).....							1	
		(ATTACHING PARTS)								
	MS75214-43	.SCREW.....							2	
	AN960-08	.WASHER.....							2	
	MS35647-286	.NUT.....							2	
		-----*								
	GF-330	.LAMP (ORP06).....							1	
7F10172-11	.PACKET, COMPASS MOUNTING.....							1		
	(ATTACHING PARTS)									
	MS75214-43	.SCREW.....							2	
	AN960-08	.WASHER.....							2	
	MS35647-286	.NUT.....							2	
		-----*								
	C23-875	.CARD HOLDER, DEVIATION (70214).....							1	
		(ATTACHING PARTS)								
	1601-7410	.RIVET.....							1	R
	AN961-6	.WASHER, FLAT.....							1	R
		-----*								R
	C23-876	.CARD WINDOW, DEVIATION (70214).....							1	R



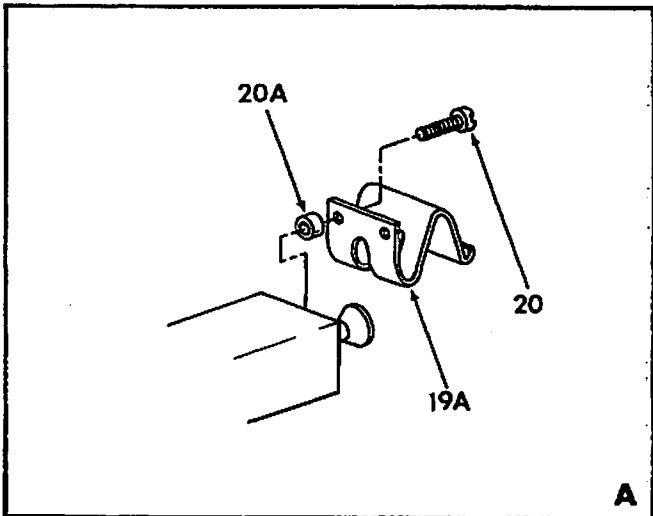
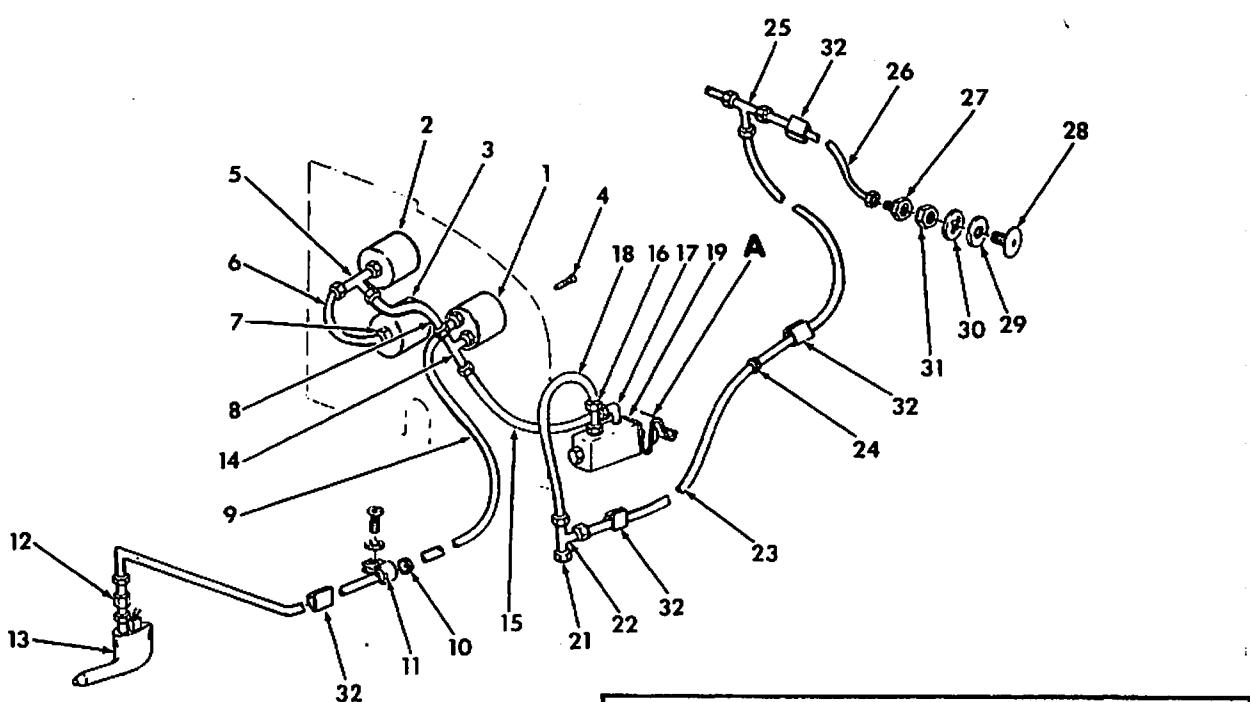
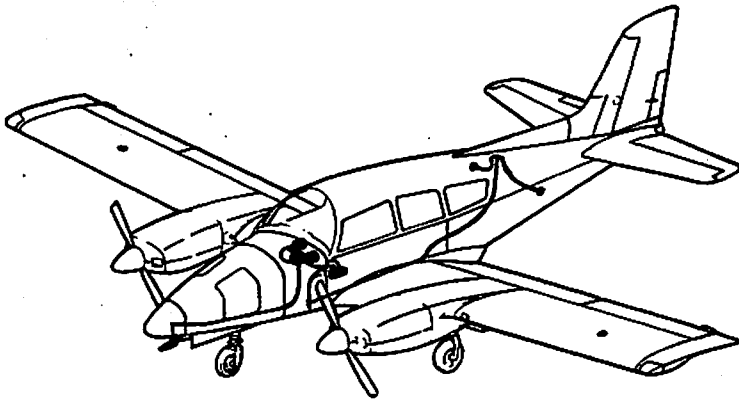
Air Temperature Gage Installation (Optional)
Figure 34-2

34G74-02

GRUMMAN AMERICAN AVIATION
GA-7/COUGAR
ILLUSTRATED PARTS CATALOG

Figure & Index No.	Part Number	Nomenclature							Units Per Assy	Usable On Code
		1	2	3	4	5	6	7		
34- 2 -	7F10133-1	AIR TEMPERATURE GAGE INSTALLATION (OPTIONAL)...							NO	
- 1	12-804041-1	.WASHER.....							7	
- 2	14-874776-2	.TUBE.....							1	
- 3	14-874776-1	.TUBE.....							1	
- 4	2716	.GAGE, AIR TEMPERATURE (53355).....							1	

GRUMMAN AMERICAN AVIATION
GA-7/COUGAR
ILLUSTRATED PARTS CATALOG



A34G74-03

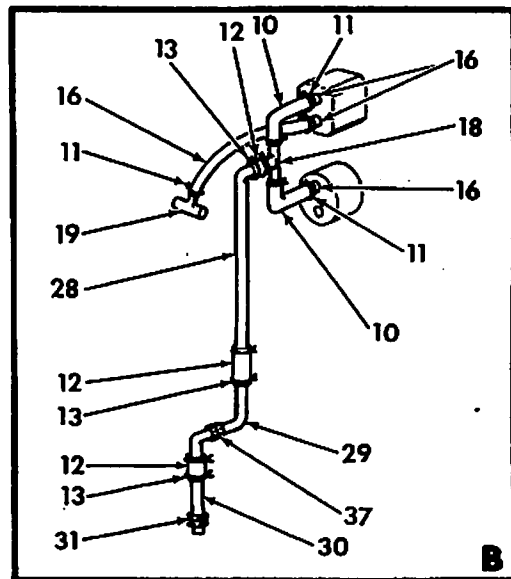
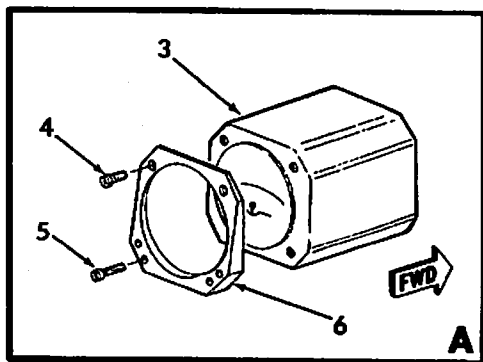
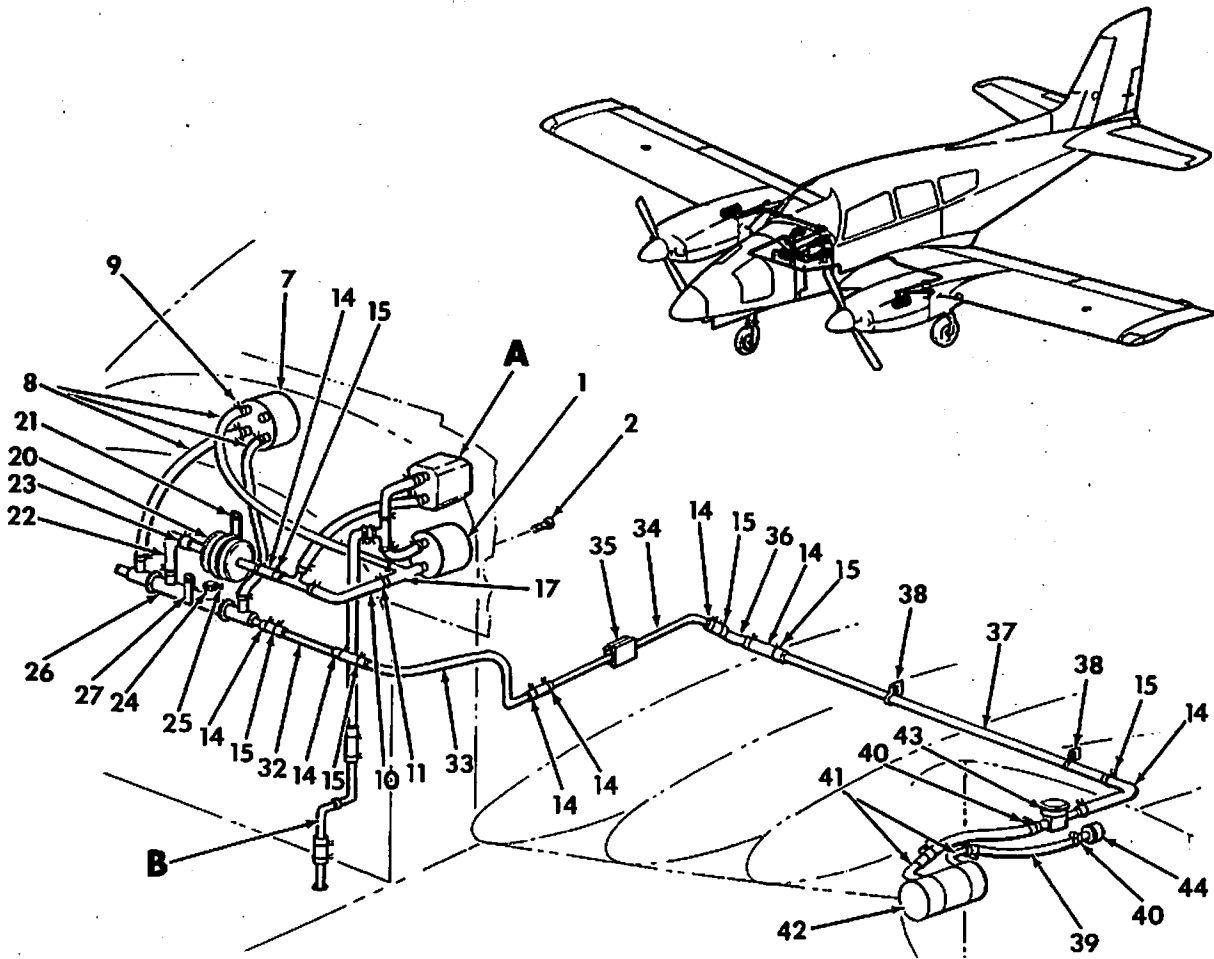
Air Speed System Installation
Figure 34-3

GRUMMAN AMERICAN AVIATION
GA-7/COUGAR
ILLUSTRATED PARTS CATALOG

Figure & Index No.	Part Number	Nomenclature							Units Per Assy	Usable On Code
		1	2	3	4	5	6	7		
34- 3 -	7F10510-1	AIRSPEED SYSTEM INSTALLATION.....							NP	
- 1	TSCF005-1	.INDICATOR, AIRSPEED.....							1	
- 2	5934-1	.ALTIMETER, SENSITIVE (08894).....							1	
- 3	7000	.INDICATOR, VERTICAL SPEED (16455) (OPTIONAL).....							1	
- 4	MS35214-29 A8944-632-24J	.ATTACHING PARTS FOR INDEXES 1 THRU 3) .SCREW.....							10 10	
- 5	GAES1305-1	.TEE.....							1	
- 6	7F10510-19	.TUBE.....							1	
- 7	GA5076-4-2	.CONNECTOR, MALE.....							2	
- 8	7F10510-17	.TUBE.....							1	
- 9	7F10510-11	.TUBE.....							1	
		(ATTACHING PARTS)								
- 10	MS35489-6	.GROMMET.....							1	
- 11	MS219190G4 MS27039-0808 AN96009	.CLAMP..... .SCREW..... .WASHER.....							1 1 1	
- 12	GA500V4-4ANV	.ADAPTER.....							1	
- 13	7F10513-9	.PITOT HEAD (REFER TO CHAPTER 30 FOR DETAIL... BREAKDOWN)							RF	
- 14	GAES1302-1	.TEE.....							1	
- 15	7F10510-25	.TUBE.....							1	
- 16	GAES1303-1	.CONNECTOR.....							1	
- 17	40-2-N-0	.ELBOW, MALE (98427).....							1	
- 18	7F10510-15	.TUBE.....							1	
- 19	41390 7F10514-11	.VALVE, ALTERNATE STATIC AIR (31720)..... .GUARD, ALTERNATE STATIC AIR VALVE.....							1 1	
		(ATTACHING PARTS)								
- 20	MS27039-1-09 NAS43003-14	.SCREW..... .SPACER.....							2 2	
- 21	GAES1604-151 404011-12 Y9132A	.CAP..... .SEAL..... .TAPE (26066) (NOT SHOWN).....							1 1 AP	
- 22	GAES1304-1	.TEE.....							1	
- 23	7F10510-21	.TUBE.....							1	
		(ATTACHING PARTS)								
- 24	MS35437-6	.GROMMET.....							1	
- 25	GAES1304-1 Y9132A	.TEE..... .TAPE (26066) (NOT SHOWN).....							1 AP	
- 26	7F10510-23	.TUBE.....							2	
- 27	GAES1303-1	.CONNECTOR.....							2	
- 28	404009-1	.BUTTON, STATIC.....							2	
		(ATTACHING PARTS)								
- 29	AN9600816	.WASHER.....							1	
- 30	MS35336-61	.WASHER, LOCK.....							1	
- 31	AN924-5D	.NUT.....							1	
- 32	OK-250	.CLAMP (34785).....							17	

P
F
D

GRUMMAN AMERICAN AVIATION
GA-7/COUGAR
ILLUSTRATED PARTS CATALOG



34G74-04

Gyro Pressure Air System Installation (Optional)
 Figure 34-4

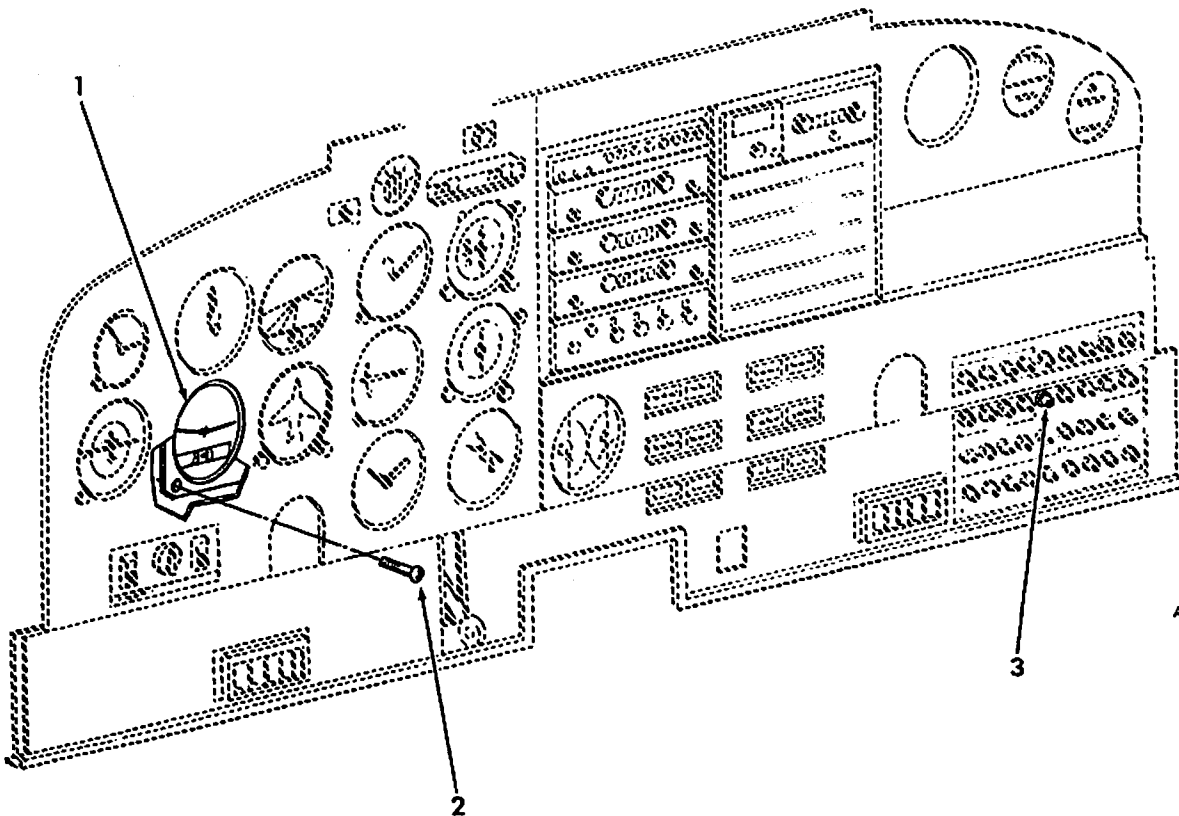
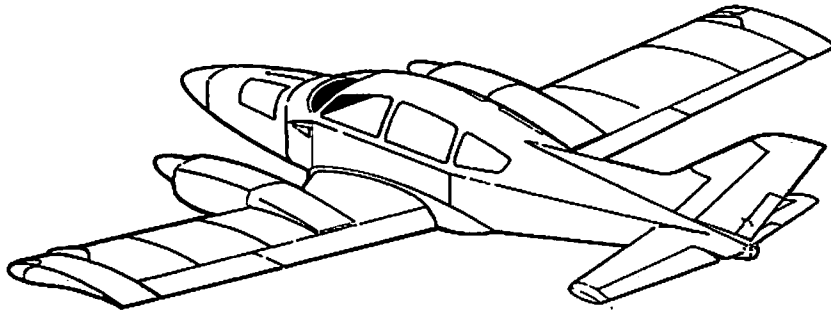
GRUMMAN AMERICAN AVIATION
GA-7/COUGAR
ILLUSTRATED PARTS CATALOG

Figure & Index No.	Part Number	Nomenclature	Units Per Assy	Usable On Code
34- 4 -	7F10501-1	GYRO PRESSURE AIR SYSTEM INSTALLATION.....	NP,	
- 1	ANS-2	(OPTIONAL) GYRO, DIRECTIONAL (AEROSONIC NAVIGATION.....	1	
- 2	MS35214-27	SYSTEMS) (ATTACHING PARTS)		
- 3	ANS-30	SCREW.....	3	
- 4	MS35214-30	GYRO, ATTITUDE (AEROSONIC NAVIGATION.....	1	
- 5	MS35214-33	SYSTEMS) (ATTACHING PARTS)		
- 6	32933	SCREW.....	2	
- 7	1G4-4	SCREW.....	2	
- 8	NO NUMBER	SPACER (86887).....	1	
- 9	A6	GAGE, PRESSURE (26433).....	1	
- 10	MIL-H-5593-6	TUBING (MAKE FROM 1/4 PVC-175 X 0.62) (ATTACHING PARTS)	AR	
- 11	A11	CLAMP (05657).....	2	
- 12	MIL-H-5593-8	HOSE.....	AR	
- 13	A12	CLAMP (05657).....	2	
- 14	MIL-H-5593-10	HOSE.....	AR	
- 15	A14	CLAMP (05657).....	6	
- 16	1K17-4-6	FITTING (26433).....	3	
- 17	1K31-1	FITTING (26433).....	1	
- 18	1K30-876-6	FITTING (26433).....	1	
- 19	1K30-10-6-6	FITTING (26433).....	1	
- 20	1J4-7	FILTER, INLINE (26433) (ATTACHING PARTS)	1	
- 21	MS219190652 MS27739-1-09 AN960010L	CLAMP.....	1	
- 22	MIL-H-6200-2075	SCREW.....	1	
- 23	OS1004-105	WASHER, FLAT.....	1	
- 24	NAS820-12-125	HOSE.....	AR	
- 25	A14	(ATTACHING PARTS)		
- 26	1H24-6	CLAMP (F R WRIGHT).....	2	
- 27	MS219130G16 MS27739-1-09 AN960010L	CAPLUG.....	1	
- 28	7F10501-53	(ATTACHING PARTS)		
- 29	7F10501-47	CLAMP (05657).....	1	
- 30	7F10501-51	MANIFOLD, PRESSURE (26433) (ATTACHING PARTS)	1	
- 31	MS35489-14	CLAMP.....	1	
		SCREW.....	1	
		WASHER.....	1	
		TUBE.....	1	
		TUBE.....	1	
		TUBE.....	1	
		GROMMET.....	2	

GRUMMAN AMERICAN AVIATION
GA-7/COUGAR
ILLUSTRATED PARTS CATALOG

Figure & Index No.	Part Number	Nomenclature	Units Per Assy	Usable On Code	
					1 2 3 4 5 6 7
34- 4 - 32 - 33 - 34 - 35 - 36 - 37 - 38 - 39 - 40 - 41 - 42 - 43 - 44	7F10501-55	.TURF.....	2		
	7F10501-15	.TURF (LH).....	1		
	7F10501-17	.TURF (RH).....	1		
	7F10501-13	.TURF.....	2		
	DK-071-0625	.CLAMP (34705).....	2		
	7F10501-40	.ELBOW.....	2		
	7F10501-11	.TURF.....	2		
		(ATTACHING PARTS)			
	GR110-4	.BRACKET.....	2		
	MS219190610	.CLAMP.....	2		
	MS27039-1-09	.SCREW.....	2		
	AN06010L	.WASHER.....	2		
		-----*			
	MIL-H-6000-12	.HOSE.....	AR		
		(ATTACHING PARTS)			
	MS219190616	.CLAMP (05657).....	2		
		-----*			
	IK1-6-12	.FITTING (26433).....	2		
	211CC	.PUMP, DRY AIR (26433).....	2		
	2H30-24	.REGULATOR, PRESSURE (26433).....	2		
1J1-2	.FILTER, INLET (26433).....	2			

GRUMMAN AMERICAN AVIATION
GA-7/COUGAR
ILLUSTRATED PARTS CATALOG



A34674-06

Turn and Bank Indicator Installation (Optional)
Figure 34-5

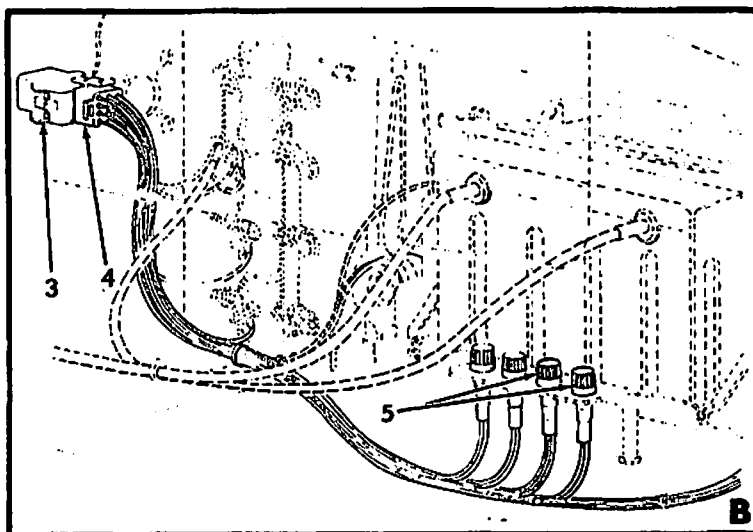
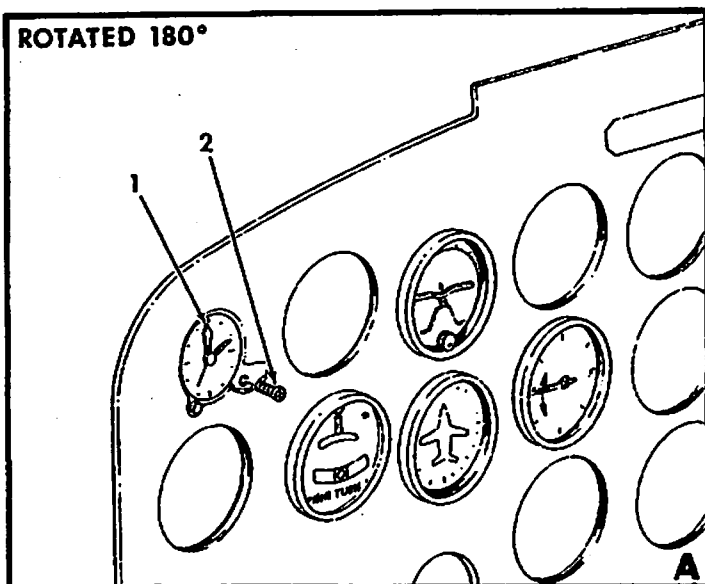
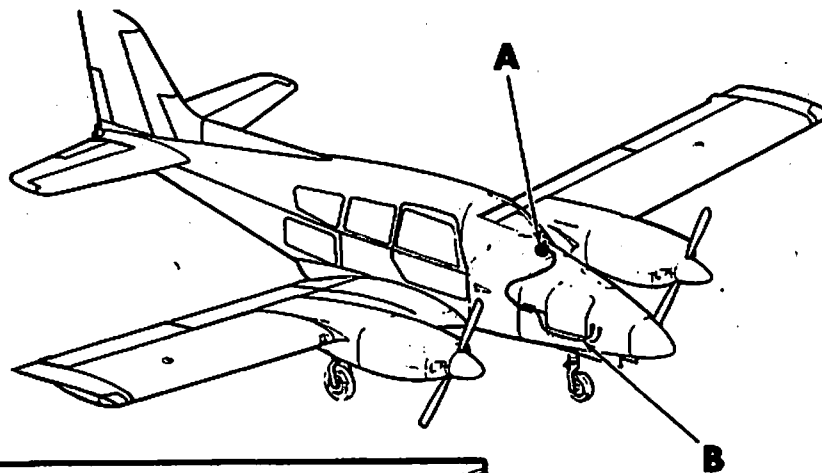
GRUMMAN AMERICAN AVIATION

GA-7/COUGAR

ILLUSTRATED PARTS CATALOG

Figure & Index No.	Part Number	Nomenclature							Units Per Assy	Usable On Code
		1	2	3	4	5	6	7		
34- 5 -	7F10903-1	TURN AND BANK INDICATOR INSTALLATION.....							NP'	
		(OPTIONAL)								
	7F10903-3	TURN COORDINATOR INSTALLATION (OPTIONAL).....							NP	
- 1	2807-17	TURN AND BANK INDICATOR (06987) (USE ON.....							1	
		7F10903-1)								
	4245-P	TURN COORDINATOR (06987) (USE ON 7F10903-3)...							1	
		(ATTACHING PARTS)								
- 2	MS35214-29	SCREW.....							4	
	48944-632-24J	NUT, SPEED (78553).....							4	
- 3	1601-019-052	CIRCUIT BREAKER (5 AMP) (05231).....							1	

GRUMMAN AMERICAN AVIATION
GA-7/COUGAR
ILLUSTRATED PARTS CATALOG



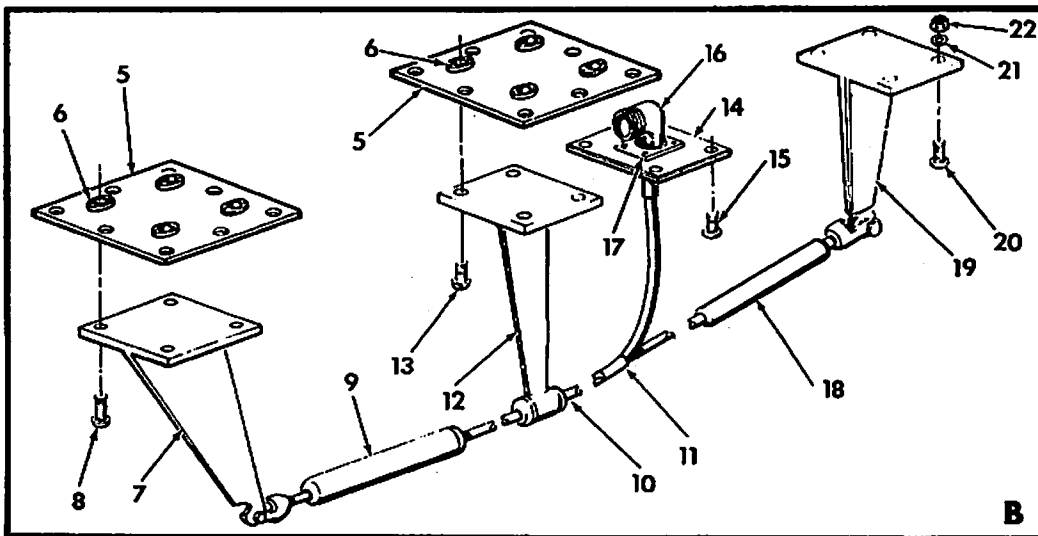
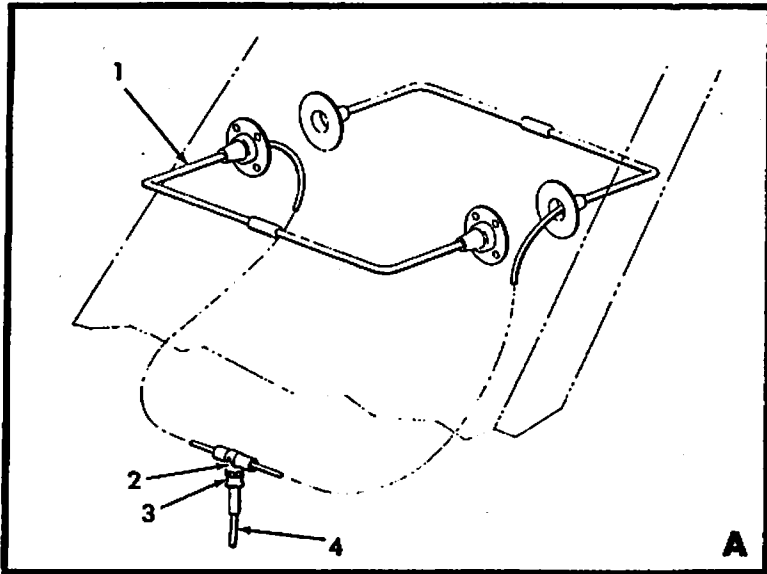
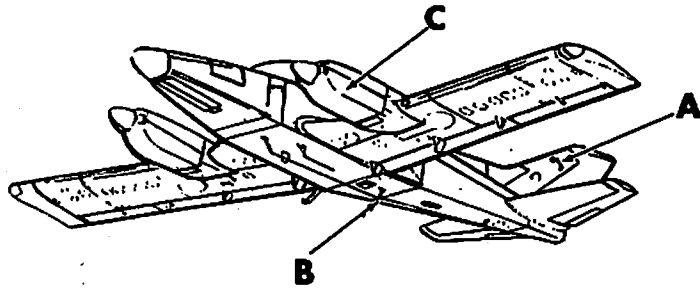
Clock Installation (Optional)
Figure 34-6

34G74-08

GRUMMAN AMERICAN AVIATION
GA-7/COUGAR
ILLUSTRATED PARTS CATALOG

Figure & Index No.	Part Number	Nomenclature							Units Per Assy	Usable On Code
		1	2	3	4	5	6	7		
34- 6 - - 1 - 2 - 3 - 4 - 5	7F10911-1	CLOCK INSTALLATION (OPTIONAL).....							NP	
	CA7212	.CLOCK (26999).....							1	
	MS35214-27	.SCREW.....							2	
	7AV10101-6	.CABLE ASSEMBLY (W6) (REFER TO SPECIFIC..... CHAPTERS AND SYSTEMS FOR ADDITIONAL COMPONENTS)							RF	
	1-483719-0	.CONNECTOR, CAP HOUSING (J11) (00779).....							1	
	7AV10101-2	.CABLE ASSEMBLY (W7) (REFER TO SPECIFIC..... CHAPTERS AND SYSTEMS FOR ADDITIONAL COMPONENTS)							RF	
	1-483718-0	.CONNECTOR, PLUG HOUSING (P11) (00779).....							1	
	ASC-5	.FUSE (5 AMP) (F6) (71400).....							1	
	HKP-HH	.FUSE HOLDER (71400).....							1	

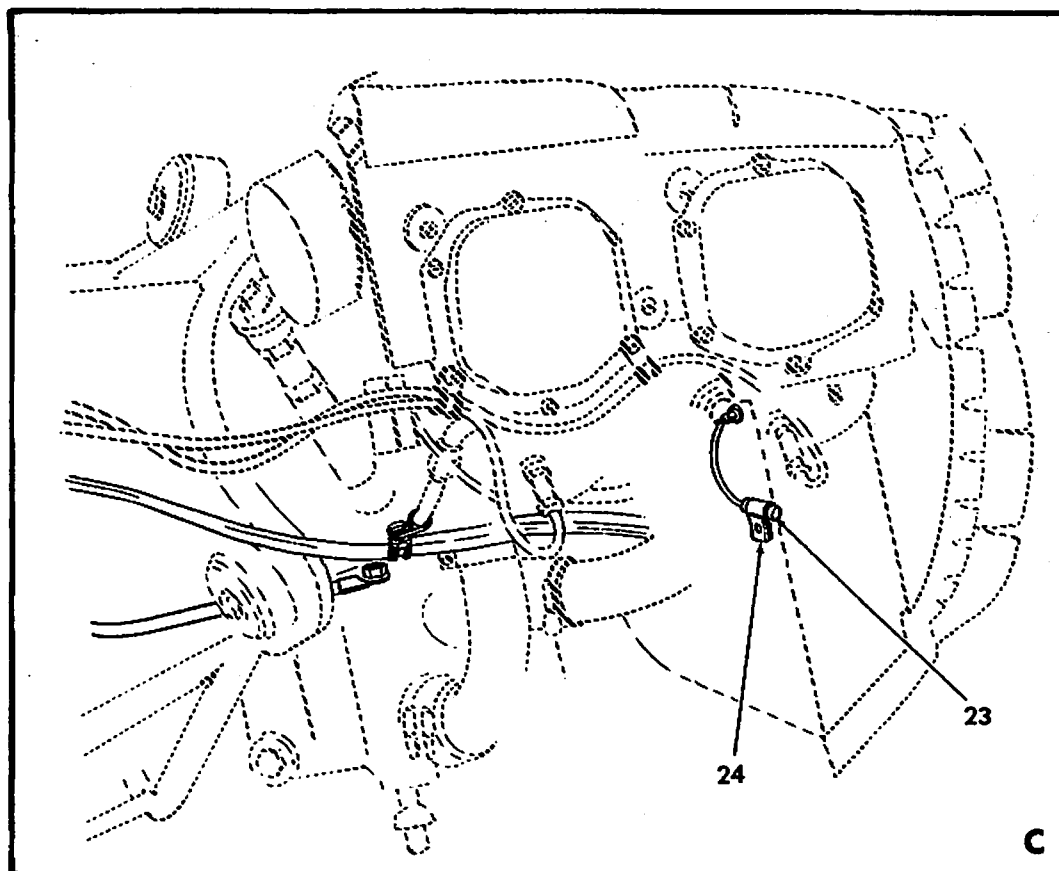
GRUMMAN AMERICAN AVIATION
GA-7/COUGAR
ILLUSTRATED PARTS CATALOG



Navigation Equipment Options 1 and 2
 Figure 34-7 (Sheet 1 of 2)

34G74-07

GRUMMAN AMERICAN AVIATION
GA-7/COUGAR
ILLUSTRATED PARTS CATALOG



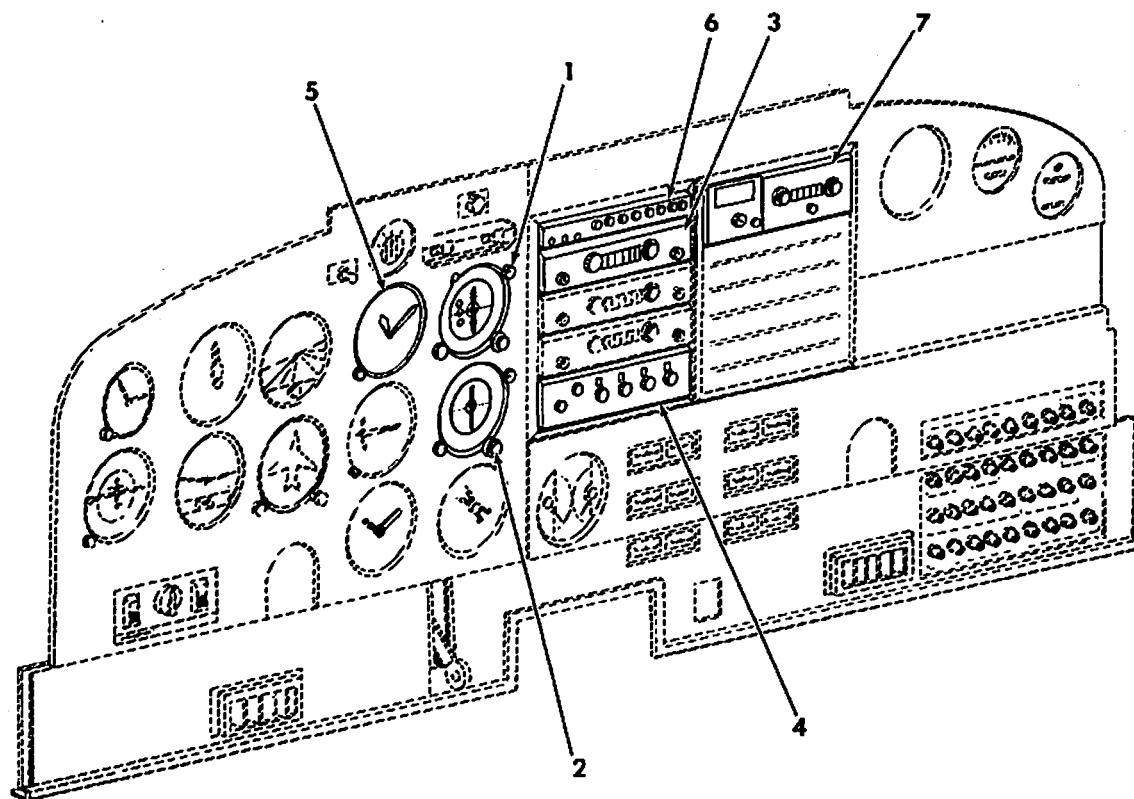
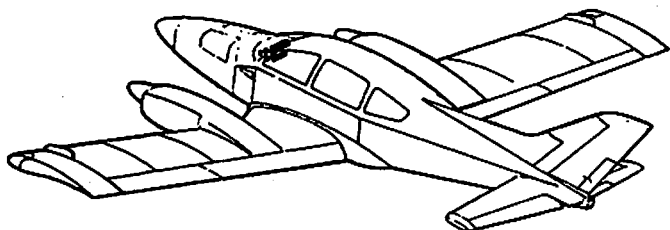
Navigation Equipment Options 1 And 2
Figure 34-7 (Sheet 2 of 2)

34G74-07

GRUMMAN AMERICAN AVIATION
GA-7/COUGAR
ILLUSTRATED PARTS CATALOG

Figure & Index No.	Part Number	Nomenclature 1 2 3 4 5 6 7	Units Per Assy	Usable On Code	
34- 7 -	7AV10700-1	NAVIGATION EQUIPMENT OPTIONS 1 AND 2..... (REFER CHAPTER 23 FOR COMMUNICATIONS EQUIPMENT OPTIONS)	NP	R R	
	7AV10701-1 7AV10707-1	..NAVIGATION OPTION 1..... ..ANTENNA INSTALLATION, FOR NAVIGATION..... (OPTIONAL)	RF RF		
	- 1	DMN48-1	...ANTENNA, VOR (R5276).....		1
	- 2	UG2748/U 7AV10708-4	...CONNECTOR, TEE..... ...CABLE ASSMBLY, ANTENNA.....		1 1
	- 3	2-33135J-1	...CONNECTOR, RF TYPE BNC (Q2660).....		2
	- 4	RG58A/U 7AV10701-2 7AV10707-6	...CABLE, COAXIAL, RF, 50 OHM..... ..NAVIGATION OPTION 2..... ..ANTENNA, SENSE, ADF INSTALLATION.....		AR RF RF
	- 5	7F10920-3	...DOUBLER ASSEMBLY.....		2
	- 6	MS21069-3	...NUT, PLATE.....		4
	- 7	30ARM300-72	...MAST, STAND-OFF (83044)..... (ATTACHING PARTS)		1
	- 8	MS24694-50	...SCREW, MACHINE.....		4
	- 9	10ARM300-14CN3	...FITTING, STRAIN INSULATOR UNIT (83044).....		1
	- 10	14379	...WIRE, ANTENNA, 110 INCHES (83044).....		AR
	- 11	7AV10707-51	...TUBING, SHRINK.....		2
	- 12	30ARM300-71	...MAST, STAND-OFF (83044)..... (ATTACHING PARTS)		1
	- 13	MS24694-50	...SCREW, MACHINE.....		4
	- 14	7F10920-5	...DOUBLER ASSEMBLY..... (ATTACHING PARTS)		1
	- 15	1601-2410	...RIVET (19738).....		4
	- 16	UG535/U	...CONNECTOR, RIGHT ANGLE (ADF LOOP)..... (ATTACHING PARTS)		1
	- 17	MS20470AD3	...RIVET.....		4
	- 18	5ARM300-1CN3	...INSULATOR, TENSION UNIT (83044).....		1
	- 19	30ARM300-74-1	...MAST, STAND-OFF (83044)..... (ATTACHING PARTS)		1
	- 20	MS24693-50	...SCREW, MACHINE.....		4
	- 21	AN936A8	...WASHER, LOCK.....		4
- 22	MS35649-282	...NUT.....	4		
- 23	7AV10717-1 A1030	..FILTER INSTALLATION, RMI..... ...FILTER ASSEMBLY, RMI (23939)..... (ATTACHING PARTS)	RF 2		
- 24	AN3-5 AN960-10 MS20365-1032	...BOLT..... ...WASHER, FLAT..... ...NUT, SELF-LOCKING.....	1 2 1		

GRUMMAN AMERICAN AVIATION
GA-7/COUGAR
ILLUSTRATED PARTS CATALOG



Navigation Equipment Options, NARCO
Figure 34-8

34G74-08

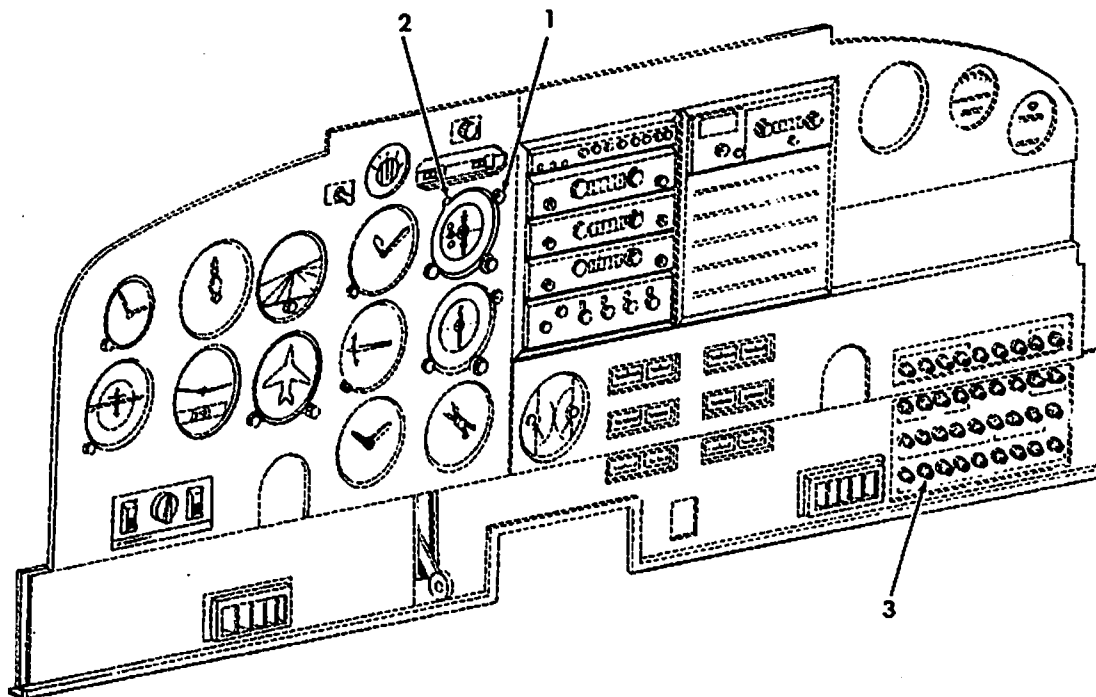
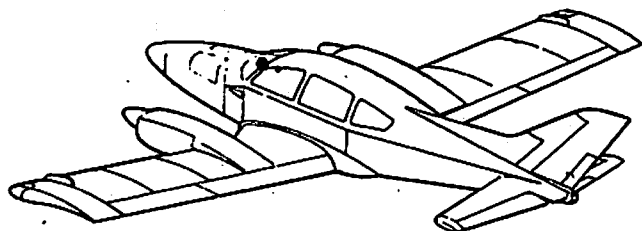
GRUMMAN AMERICAN AVIATION

GA-7/COUGAR

ILLUSTRATED PARTS CATALOG

Figure & Index No.	Part Number	Nomenclature	Units Per Assy	Usable On Code
34- 8 -	7AV10700-1	NAVIGATION EQUIPMENT OPTIONS, NARCO (SEE..... CHAPTER 23 FOR COMMUNICATIONS OPTIONS)	NP	P
- 1	7AV10711-1	.NAV121 OMNI RECEIVER INSTALLATION, NAV 1..... (OPTIONAL) (SEE FIGURE 34-9 FOR DETAIL BREAKDOWN)	RF	R
	7AV10712-1	.NAV122 ILS RECEIVER INSTALLATION, NAV 1..... (OPTIONAL) (SEE FIGURE 34-10 FOR DETAIL BREAKDOWN)	RF	R
- 2	7AV10712-3	.NAV122 ILS RECEIVER INSTALLATION WITH..... GLIDESLOPE, NAV 2 (OPTIONAL) (SEE FIGURE 34-11 FOR DETAIL BREAKDOWN)	RF	R
- 3	7AV10715-1	.ADF141 AUTOMATIC DIRECTION FINDER..... INSTALLATION (OPTIONAL) (SEE FIGURE 34-12 FOR DETAIL BREAKDOWN)	RF	R
- 4	7AV10718-1	.AT150 TRANSPONDER INSTALLATION (OPTIONAL)..... (SEE FIGURE 34-13 FOR DETAIL BREAKDOWN)	RF	R
- 5	7AV10719-1	.ALTITUDE ENCODER INSTALLATION (OPTIONAL)..... (SEE FIGURE 34-14 FOR DETAIL BREAKDOWN)	RF	R
- 6	7AV10720-1	.CP135 AUDIO/MARKER CONTROL PANEL..... INSTALLATION (OPTIONAL) (SEE CHAPTER 23 FOR DETAIL BREAKDOWN)	RF	R
- 7	7AV10721-1	.DME190 DISTANCE MEASURING EQUIPMENT..... INSTALLATION (OPTIONAL) (SEE FIGURE 34-15 FOR DETAIL BREAKDOWN)	RF	R
	7AV10721-3	.DME190 DISTANCE MEASURING EQUIPMENT..... INSTALLATION WITH REMOTE TUNING (OPTIONAL) (SEE FIGURE 34-15 FOR DETAIL BREAKDOWN)	RF	R

GRUMMAN AMERICAN AVIATION
GA-7/COUGAR
ILLUSTRATED PARTS CATALOG



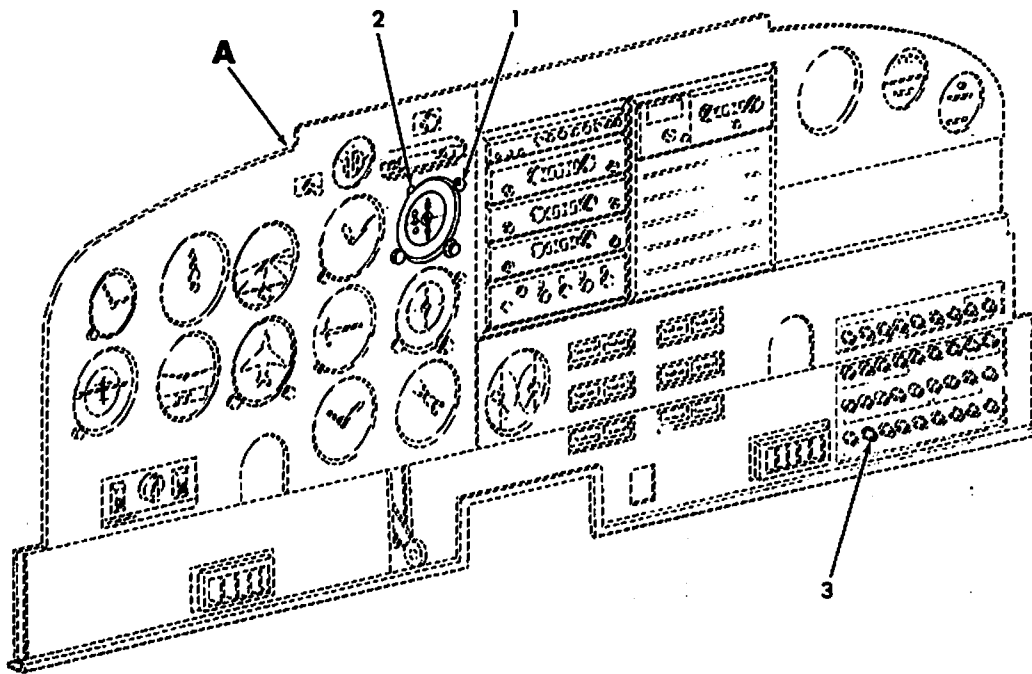
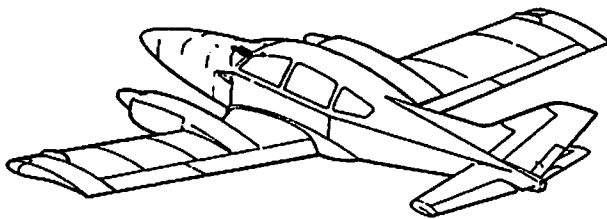
A34G74-09

NAV 121 Omni Receiver Installation, Nav 1 (Optional)
Figure 34-9

GRUMMAN AMERICAN AVIATION
GA-7/COUGAR
ILLUSTRATED PARTS CATALOG

Figure & Index No.	Part Number	Nomenclature							Units Per Assy	Usable On Code
		1	2	3	4	5	6	7		
34- 9 -	7AV10711-1	NAV121 OMNI RECEIVER INSTALLATION, NAV 1.....							RF	R R R R R R R
- 1	NAV121	.OMNI RECEIVER (93493) (REFER TO NARCO PARTS MANUAL FOR DETAIL BREAKDOWN (ATTACHING PARTS)							1	
- 2	MS35214-29	.SCREW, MACHINE.....							3	
- 3	7AV10709-1	.CASE ASSEMBLY.....							1	
	MP1600T5	.CIRCUIT BREAKER, 5 AMP (05231).....							1	

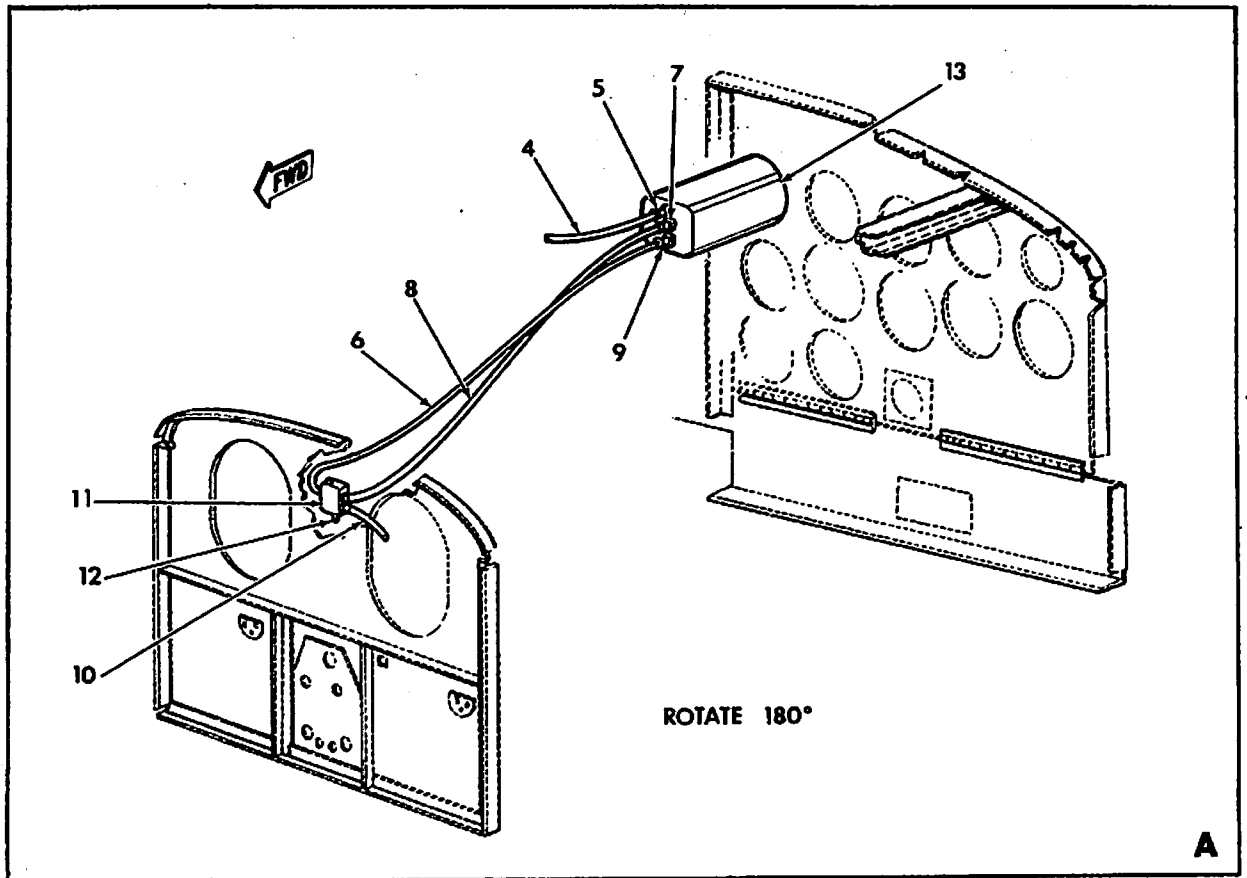
GRUMMAN AMERICAN AVIATION
GA-7/COUGAR
ILLUSTRATED PARTS CATALOG



34G74-10-1

NAV 122 ILS Receiver Installation, Nav 1 With Marker Beacon (Optional)
Figure 34-10 (Sheet 1 of 2)

GRUMMAN AMERICAN AVIATION
GA-7/COUGAR
ILLUSTRATED PARTS CATALOG



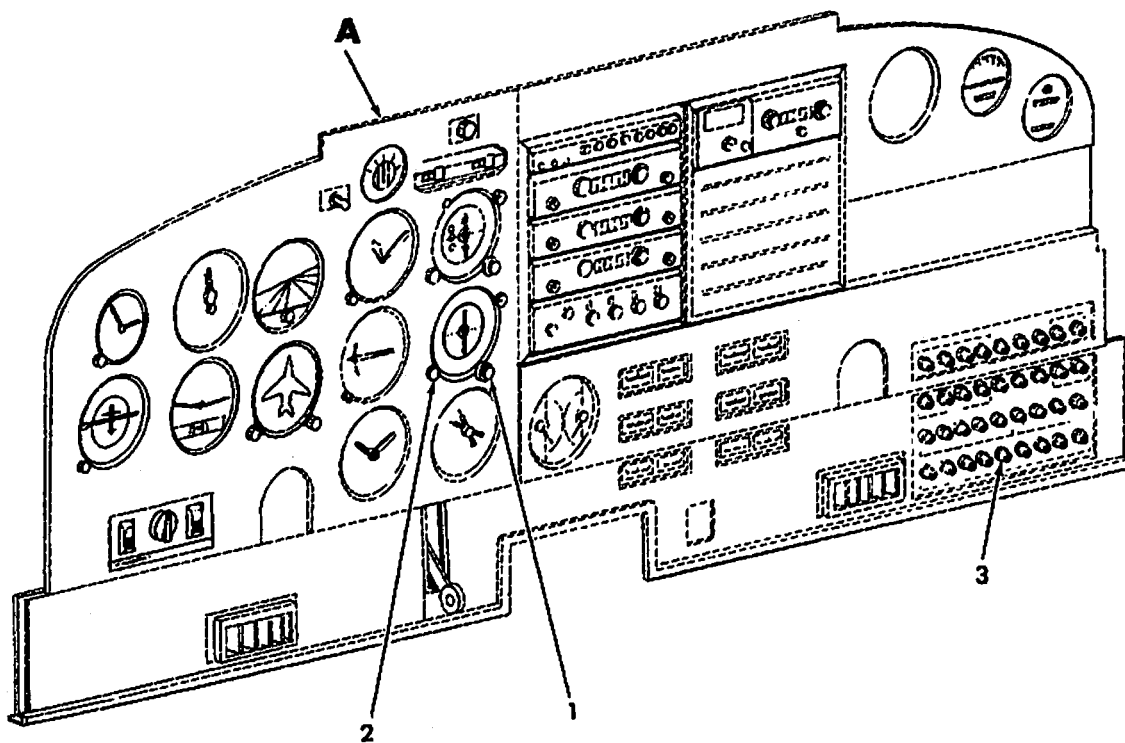
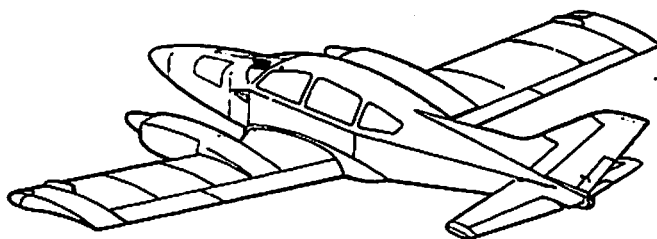
34G74-10-2

NAV 122 ILS Receiver Installation, Nav 1 With Marker Beacon (Optional)
Figure 34-10 (Sheet 2 of 2)

GRUMMAN AMERICAN AVIATION
GA-7/COUGAR
ILLUSTRATED PARTS CATALOG

Figure & Index No.	Part Number	Nomenclature 1 2 3 4 5 6 7	Units Per Assy	Usable On Code
34-10 -	7AV10712-1	NAV122 ILS RECEIVER INSTALLATION, NAV 1..... WITH MARKER BEACON (OPTIONAL) (SEE FIGURE 34-8 FOR NHA)	RF	R
- 1	NAV122	.ILS122 ILS RECEIVER (93493) (REFER TO MARCO... PARTS MANUAL FOR DETAIL BREAKDOWN) (ATTACHING PARTS)	1	R
- 2	MS95214-29	.SCREW, MACHINE.....	3	R
- 3	MP1600T5 7AV10708-7	.CIRCUIT BREAKER, 5 AMP (05231).....	1	R
- 4	RG58A/U	.CABLE ASSEMBLY, MARKER BEACON ANTENNA.....	1	R
- 5	2-331350-1 7AV10708-16	.CABLE, COAXIAL, RF, 50 OHM.....	AR	R
- 6	RG58A/U	.CONNECTOR, RF, TYPE BNC (02660).....	2	R
- 7	2-331350-1 7AV10708-15	.CABLE ASSEMBLY, ILS SIGNAL SPLITTER.....	1	R
- 8	RG58A/U	.CABLE, COAXIAL, RF, 50 OHM.....	AR	R
- 9	2-331350-1	.CONNECTOR, RF, TYPE BNC (02660).....	2	R
- 10	7AV10708-4	.CABLE ASSEMBLY, ILS SIGNAL SPLITTER.....	1	R
- 11	AV571	.CABLE, COAXIAL, RF, 50 OHM.....	AR	R
- 12	MS27039-018 AN960-R MS20364-832	.CONNECTOR, RF, TYPE BNC (02660).....	2	R
- 13	7AV10709-5	.CABLE ASSEMBLY, OMNI ANTENNA (SEE FIGURE... 34-1 FOR DETAIL BREAKDOWN) .TRIPLEXER (02833) (SEE ALSO CHAPTER 23)..... (ATTACHING PARTS)	RF	R
		.SCREW, MACHINE.....	2	R
		.WASHER, FLAT.....	2	R
		.NUT, SELF-LOCKING.....	2	R
		.CASE ASSEMBLY, NAV122.....	1	R

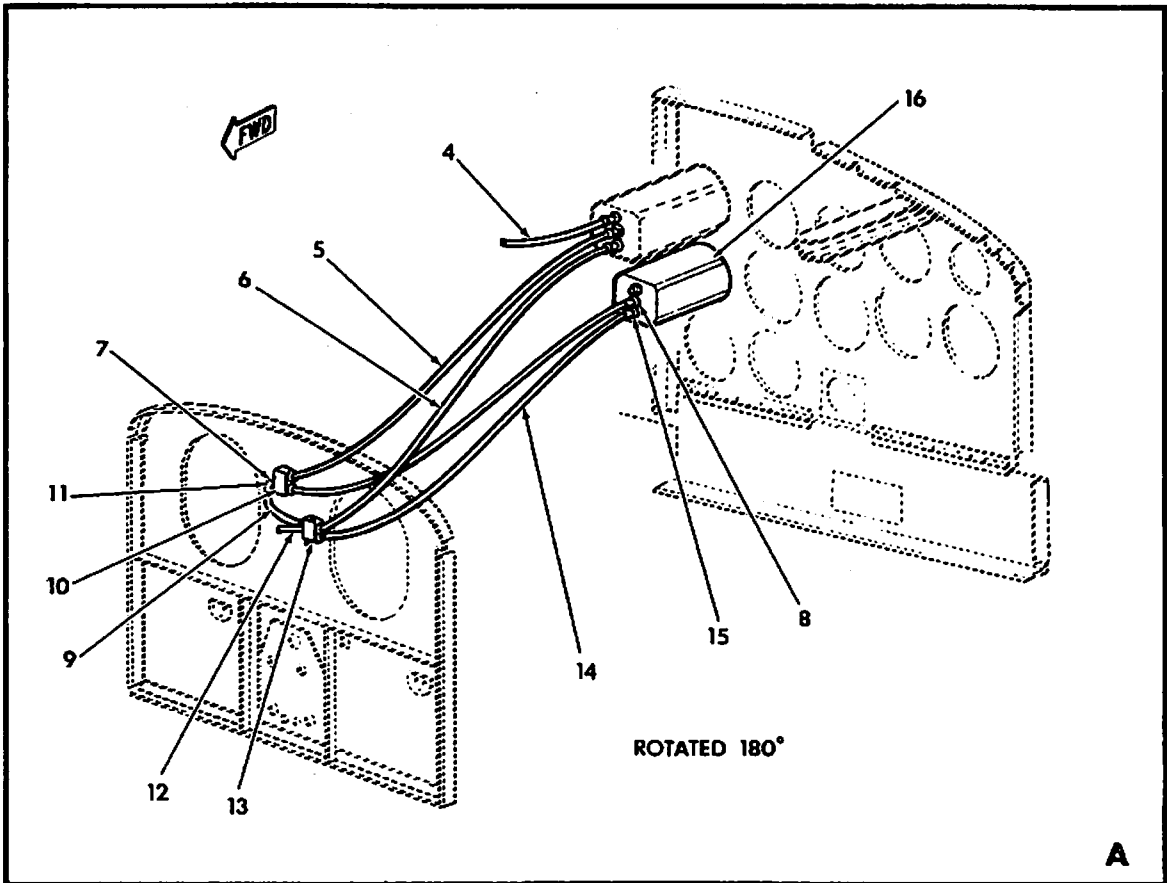
GRUMMAN AMERICAN AVIATION
GA-7/COUGAR
ILLUSTRATED PARTS CATALOG



NAV 122 ILS Receiver Installation, Nav 2 With Glidescope (Optional)
Figure 34-11 (Sheet 1 of 2)

34074-11-1

GRUMMAN AMERICAN AVIATION
GA-7/COUGAR
ILLUSTRATED PARTS CATALOG



NAV 122 ILS Receiver Installation, Nav 2 With Glidescope (Optional)
Figure 34-11 (Sheet 2 of 2)

34G74-11-2

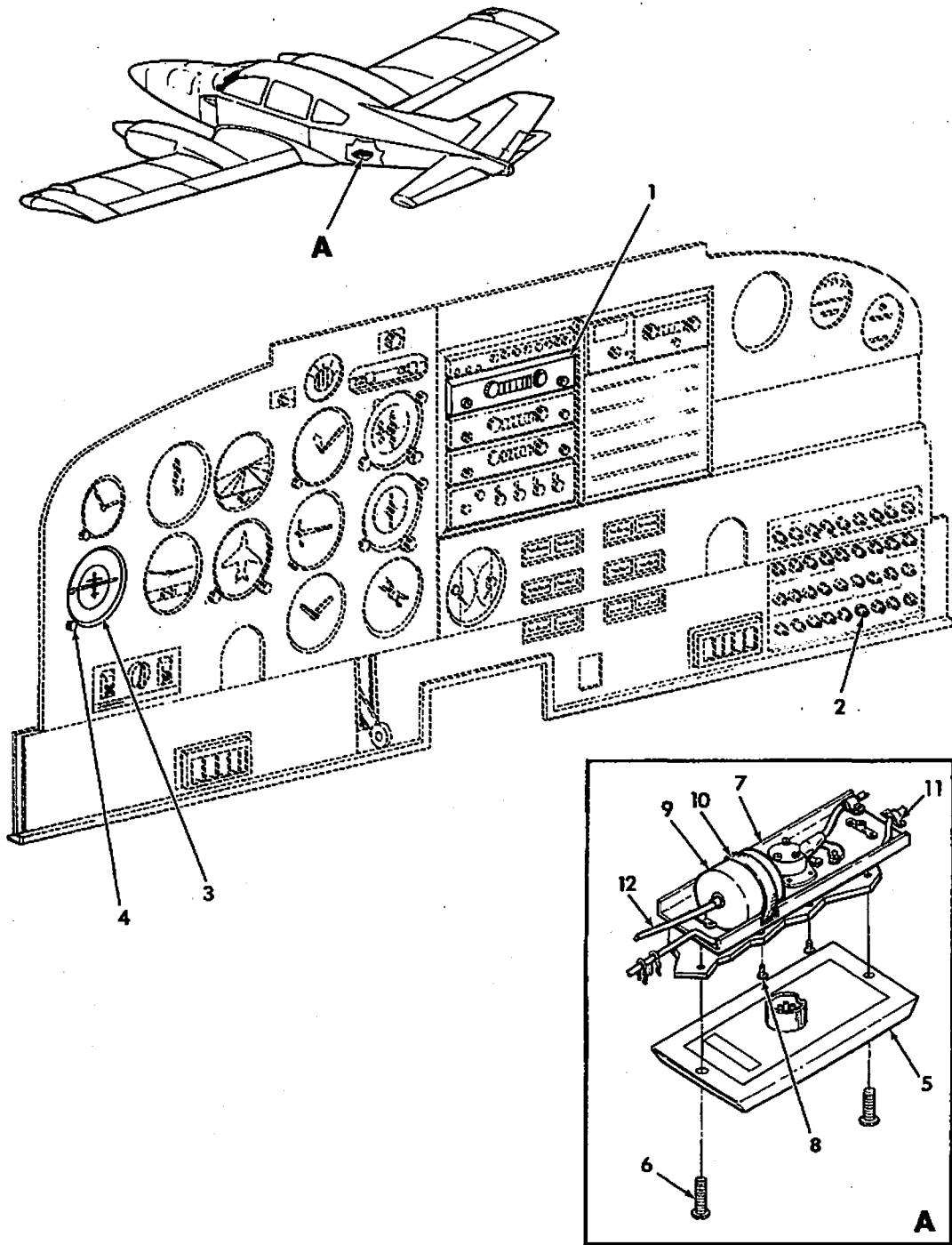
GRUMMAN AMERICAN AVIATION

GA-7/COUGAR

ILLUSTRATED PARTS CATALOG

Figure & Index No.	Part Number	Nomenclature 1 2 3 4 5 6 7	Units Per Assy	Usable On Code
34-11 -	7AV10712-3	NAV122 ILS RECEIVER INSTALLATION NAV 2..... WITH GLIDESLOPE (OPTIONAL) (SEE FIGURE 34-8 FOR NHA)	RF	R
- 1	NAV122	.ILS RECEIVER (93493) (REFER TO NARCO PARTS... MANUAL FOR DETAIL BREAKDOWN) (ATTACHING PARTS)	1	R
- 2	MS35214-29	.SCREW, MACHINE.....	3	R
- 3	MP1600T5	.CIRCUIT BREAKER, 5 AMP (05271).....	1	R
- 4	7AV10708-7	.CABLE ASSEMBLY, MAPKER BEACON ANTENNA..... (SEE FIGURE 34-10 FOR DETAIL BREAKDOWN)	PF	R
- 5	7AV10708-16	.CABLE ASSEMBLY, ILS SIGNAL SPLITTER (SEE..... FIGURE 34-10 FOR DETAIL BREAKDOWN)	RE	R
- 6	7AV10708-15	.CABLE ASSEMBLY, ILS SIGNAL SPLITTER (SEE..... FIGURE 34-10 FOR DETAIL BREAKDOWN)	RF	R
- 7	7AV10708-17	.CABLE ASSEMBLY, ILS SIGNAL SPLITTER.....	1	R
- 8	RG58A/U	.CABLE, COAXIAL, RF, 50 OHM.....	AR	R
- 8	2-331350-1	.CONNECTOR, RF, TYPE BNC (02660)	2	R
- 9	7AV10708-14	.CABLE ASSEMBLY, ILS SIGNAL SPLITTER.....	1	R
- 9	RG58A/U	.CABLE, COAXIAL, RF, 50 OHM.....	AR	R
- 10	2-331350-1	.CONNECTOR, RF, TYPE BNC (02660).....	2	R
- 12	7AV10708-4	.CABLE ASSEMBLY, OMNI ANTENNA (SEE FIGURE 34-10 FOR DETAIL BREAKDOWN)	RF	R
- 13	AV751	.TRIPLXER (02833) (SEE ALSO CHAPTER 23).....	RF	R
- 14	7AV10708-18	.CABLE ASSEMBLY, ILS SIGNAL SPLITTER.....	1	R
- 14	RG58A/U	.CABLE, COAXIAL, RF, 50 OHM.....	AR	R
- 15	2-331350-1	.CONNECTOR, RF, TYPE BNC (02660).....	2	R
- 16	7AV10709-5	.CASE ASSMBLY.....	1	R

GRUMMAN AMERICAN AVIATION
GA-7/COUGAR
ILLUSTRATED PARTS CATALOG



ADF141 Automatic Direction Finder Installation (Optional)
Figure 34-12

34G74-12

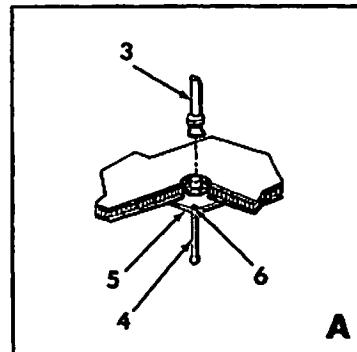
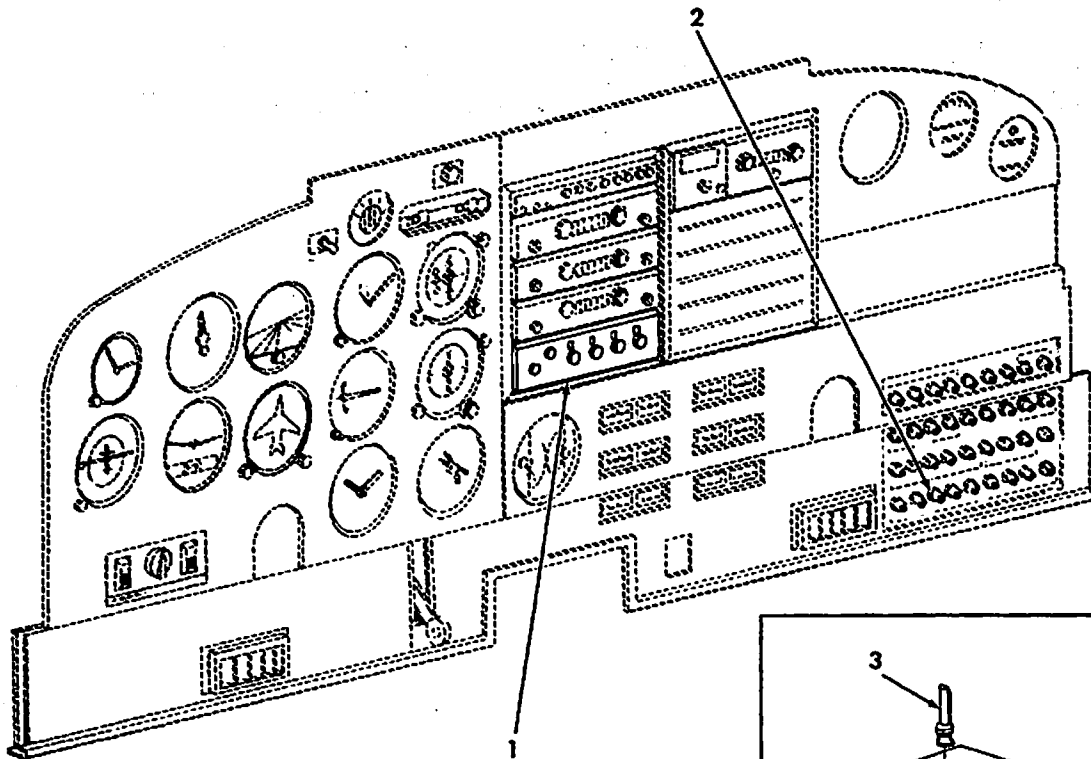
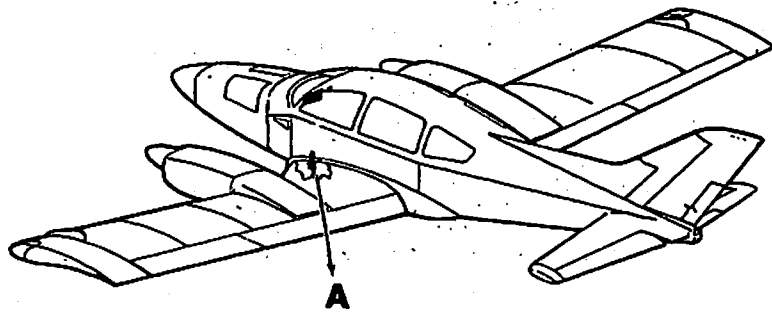
GRUMMAN AMERICAN AVIATION

GA-7/COUGAR

ILLUSTRATED PARTS CATALOG

Figure & Index No.	Part Number	Nomenclature 1 2 3 4 5 6 7	Units Per Assy	Usable On Code
34-12 -	7AV10715-1	ADF141 AUTOMATIC DIRECTION FINDER..... INSTALLATION (OPTIONAL) (SEE FIGURE 34-8 FOR NHA)	RF	
- 1	ADF141	..RECEIVER (93493) (REFER TO NARCO PARTS..... MANUAL FOR DETAIL BREAKDOWN)	1	P
- 2	5802055-502	..CASE ASSEMBLY, ADF141.....	1	P
- 3	MP1600T5	..CIRCUIT BREAKER, 5 AMP	1	P
- 3	ADF101	..INDICATOR, ADF (93493) (REFER TO NARCO..... PARTS MANUAL FOR DETAIL BREAKDOWN) (ATTACHING PARTS)	1	P
- 4	MS35214-27	..SCREW, MACHINE.....	3	P
- 5	7AV10716-1	..ADF141 LOOP ANTENNA INSTALLATION (OPTIONAL)...	RF	P
- 5	C71650-104	..ANTENNA, LOOP (93493) (REFER TO NARCO..... PARTS MANUAL FOR DETAIL BREAKDOWN) (ATTACHING PARTS)	1	P
- 6	K82816-711	..SCREW, BINDING HEAD (93493).....	2	P
- 7	57560-0102	..CABLE AND DOUBLER ASSEMBLY, LOOP (93493) (ATTACHING PARTS)	1	P
- 8	K8215-405	..SCREW, BINDING HEAD (93493).....	3	P
- 9	01199-001	..COUPLER, ANTENNA (93493).....	1	P
- 10	SST2M	..TY-WRAP (59730).....	1	P
- 11	OK290	..CLAMP, STICK-ON (93493).....	AR	P
- 12	7AV10709-6	..CABLE ASSEMBLY, ADF LOOP ANTENNA TO..... RECEIVER	1	P

GRUMMAN AMERICAN AVIATION
GA-7/COUGAR
ILLUSTRATED PARTS CATALOG



34G74-13

AT150 Transponder Installation (Optional)
Figure 34-13

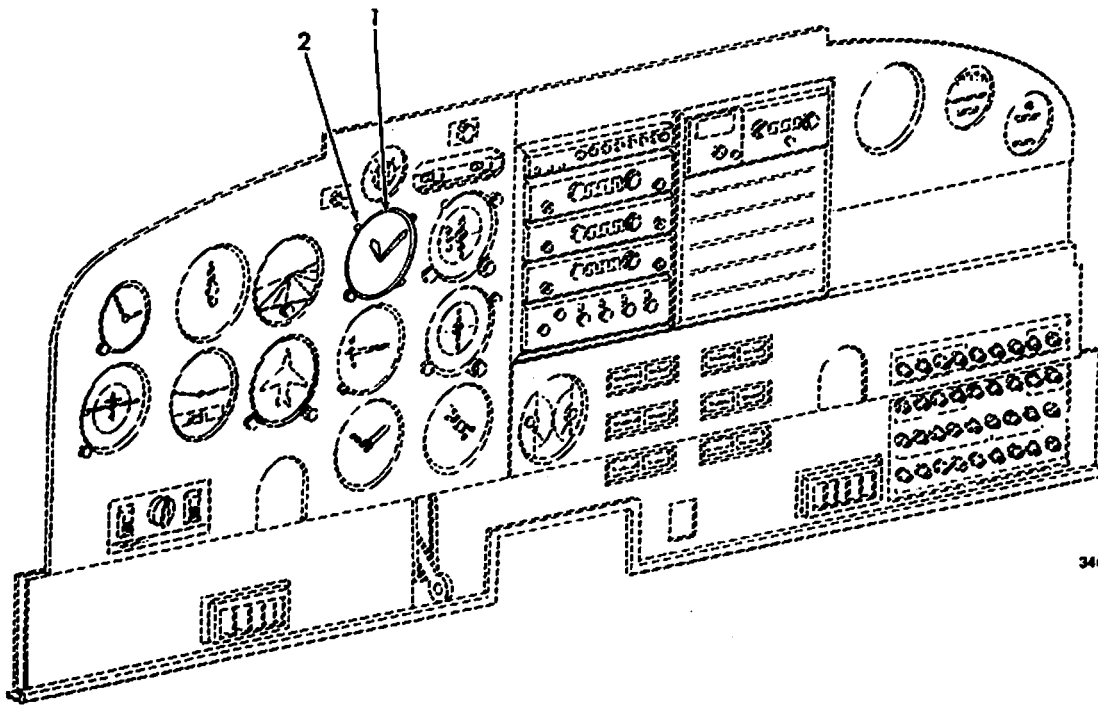
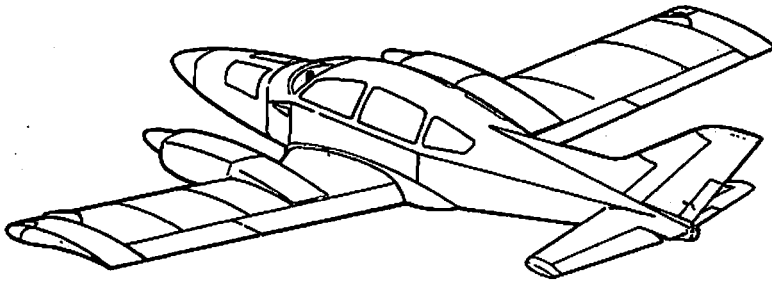
GRUMMAN AMERICAN AVIATION

GA-7/COUGAR

ILLUSTRATED PARTS CATALOG

Figure & Index No.	Part Number	Nomenclature							Units Per Assy	Usable On Code
		1	2	3	4	5	6	7		
34-13 -	7AV10718-1	AT150 TRANSPONDER INSTALLATION (OPTIONAL).....							RF	R R R R R R R R R R R R
- 1	AT150	.TRANSPONDER (93493) (REFER NARCO PARTS.....							1	
	802046-503	..CASE ASSEMBLY, TRANSPONDER.....							1	
- 2	90687-0101	..CABLE ASSEMBLY (93493).....							1	
- 3	MP1600T5	.CIRCUIT BREAKER, 5 AMP (05231).....							1	
	7AV10708-5	.CABLE ASSEMBLY, ANTENNA.....							1	
	RG58A/U	..CABLE, COAXIAL, RF.....							AR	
	2-331350-1	..CONNECTOR, RF, TYPE BNC (02660).....							2	
	7AV10707-9	.ANTENNA INSTALLATION, TRANSPONDER.....							RF	
- 4	71233-1101	..ANTENNA, TRANSPONDER (93493).....							1	
- 5	7F10920-17	..DOUBLER.....							1	
- 6	1601-0410	.RIVET (19738).....							4	

GRUMMAN AMERICAN AVIATION
GA-7/COUGAR
ILLUSTRATED PARTS CATALOG



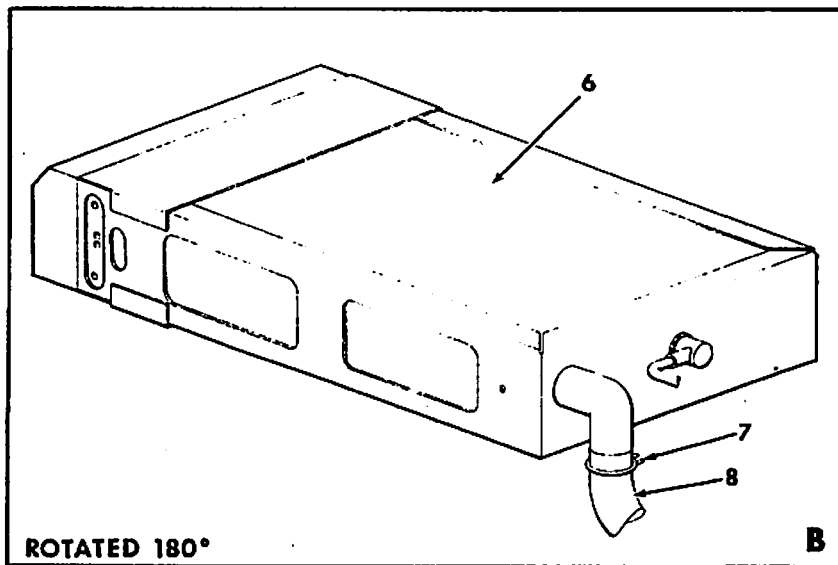
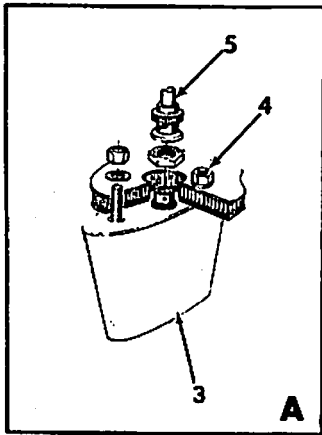
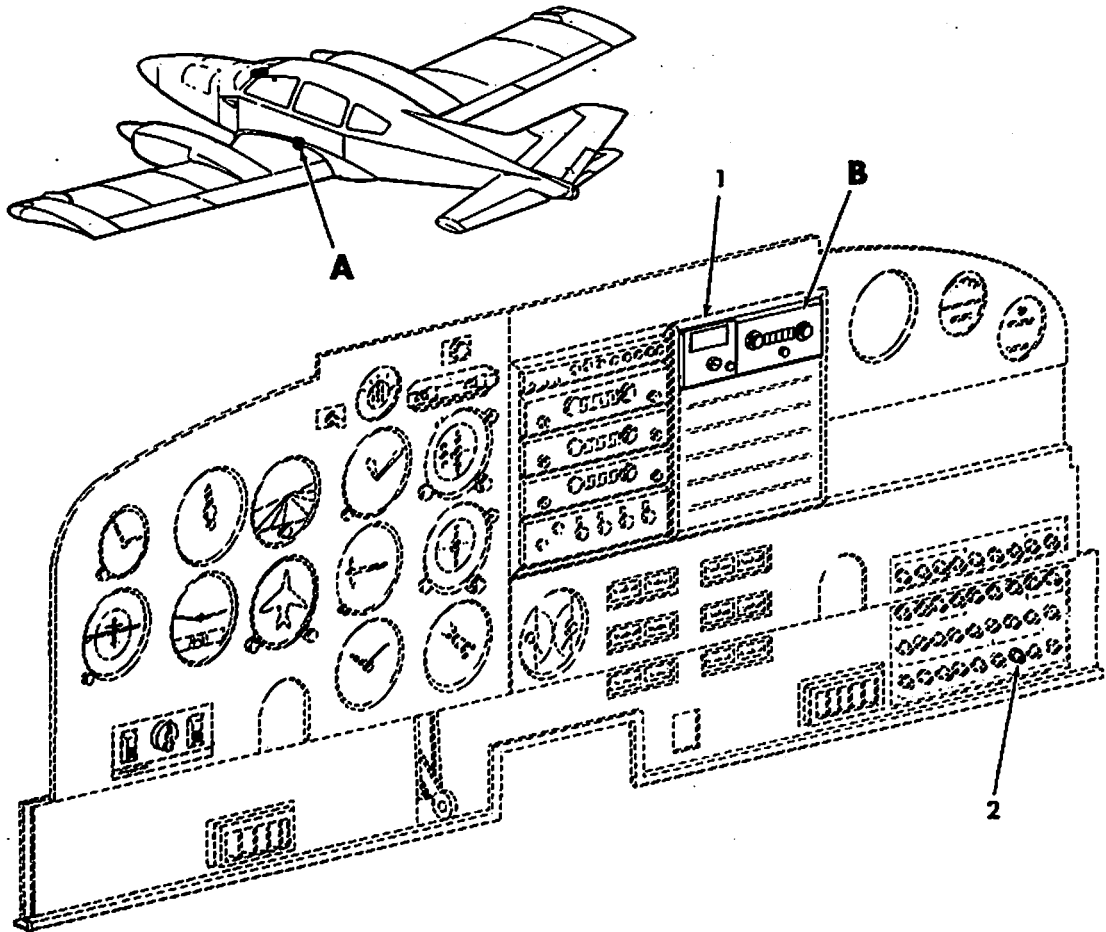
34G74-14

Altitude Encoder Installation (Optional)
Figure 34-14

GRUMMAN AMERICAN AVIATION
GA-7/COUGAR
ILLUSTRATED PARTS CATALOG

Figure & Index No.	Part Number	Nomenclature							Units Per Assy	Usable On Code
		1	2	3	4	5	6	7		
34-14 -	7AV10719-1	ALTITUDE ENCODED INSTALLATION (OPTIONAL).....							4F.	
- 1	5035P2P25	(SEE FIGURE 34-8 FOR NHA) ALTIMETER, ENCODING (08994).....							1	
- 2	MS35214-31 AR944-637-24J	(ATTACHING PARTS) SCREW, MACHINE.....							3	
		NUT, SPEED (79553).....							3	

GRUMMAN AMERICAN AVIATION
GA-7/COUGAR
ILLUSTRATED PARTS CATALOG



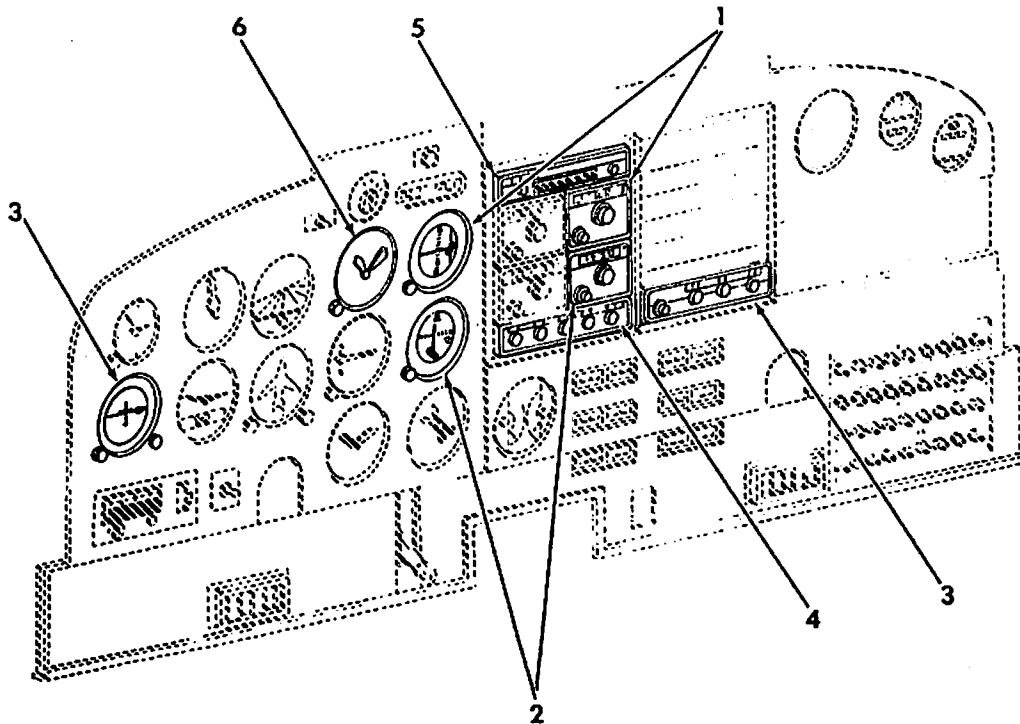
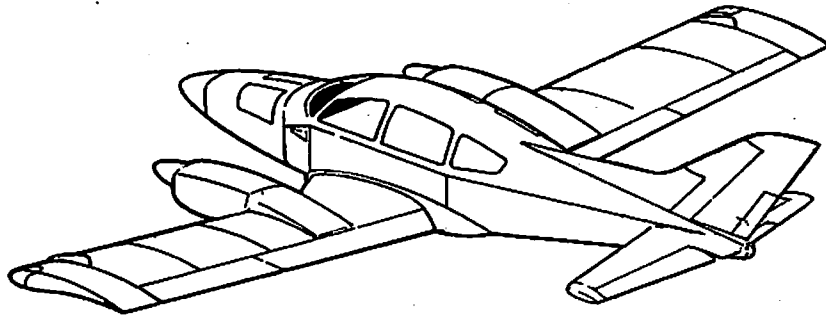
34G74-16

DME190 Distance Measuring Equipment (Optional)
Figure 34-15

GRUMMAN AMERICAN AVIATION
GA-7/COUGAR
ILLUSTRATED PARTS CATALOG

Figure & Index No.	Part Number	Nomenclature 1 2 3 4 5 6 7	Units Per Assy	Usable On Code	
34-15 -	7AV10721-1	DME190 DISTANCE MEASURING EQUIPMENT..... INSTALLATION (OPTIONAL) (SEE FIGURE 34-8 FOR NHA)	RF	R P P R R R R R R R R R R	
	7AV10721-3	DME190 DISTANCE MEASURING EQUIPMENT..... INSTALLATION WITH REMOTE TUNING (OPTIONAL) (SEE FIGURE 34-8 FOR NHA)	RF		
	- 1	DME190	DISTANCE MEASURING EQUIPMENT (OPTIONAL)..... (93493) (SEE NARCO PARTS MANUAL FOR DETAIL BREAKDOWN)		1
	- 2	MP1400TS	CIRCUIT BREAKER, 5 AMP (05231).....		1
	- 3	7AV10707-3 UDA3	ANTENNA INSTALLATION, DME..... ANTENNA, DME (93493)..... (ATTACHING PARTS)		RF 1
	- 4	C1321-932-24 AN970-3	NUT (78553)..... WASHER, FLAT.....		2 2
	- 5	7AV10708-8	CABLE ASSEMBLY, DME ANTENNA.....		1
	- 6	5802060-501 5802060-501	CASE ASSEMBLY, DME190 (USED ON 7AV10721-1).. CASE ASSEMBLY, DME190 (USED ON 7AV10721-3).. 7AV10717-2		1 1 1
	- 7	A13	COOLING KIT INSTALLATION, DME (OPTIONAL).....		RF
	- 8	91074-1	CLAMP, HOSE (05657).....		1
		NO NUMBER	TUNING, FLEXIBLE (93493)..... RESISTOR, CARBON, 1500 OHM, 1/4 WATT, PORM.. 10 PCT (BETWEEN PINS 5 AND 21)		AR 1

GRUMMAN AMERICAN AVIATION
GA-7/COUGAR
ILLUSTRATED PARTS CATALOG



34074-16

Navigation Equipment Options, Collins
Figure 34-16

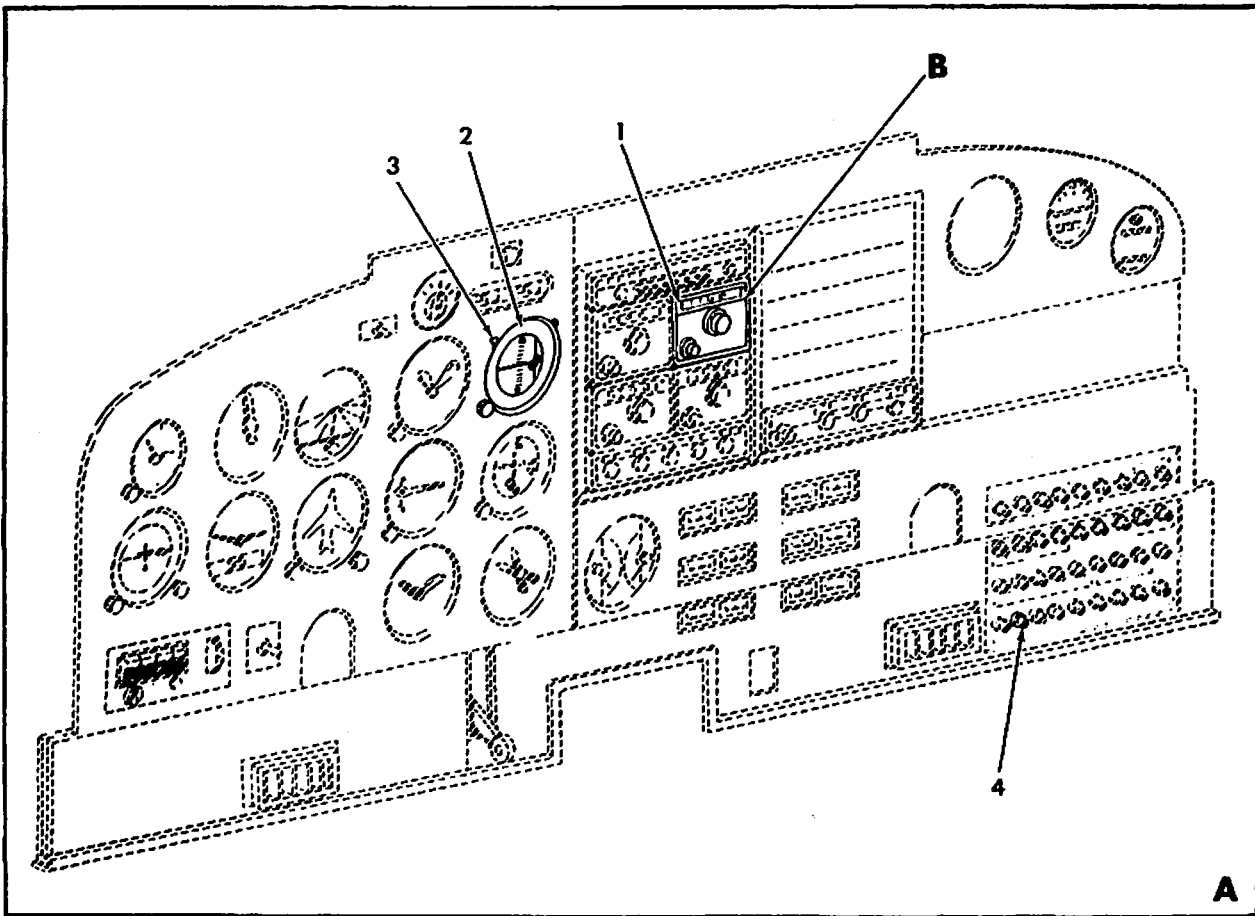
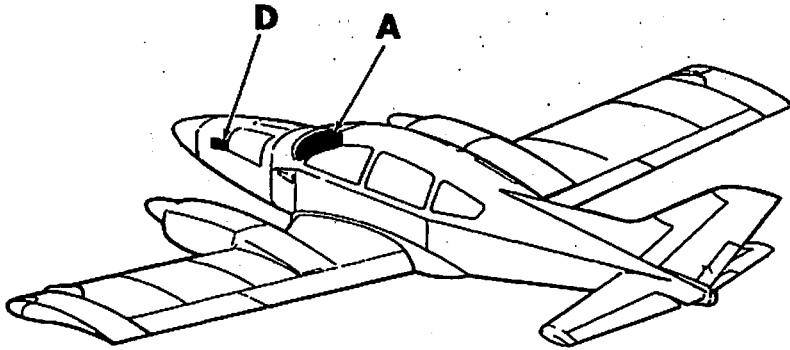
GRUMMAN AMERICAN AVIATION

GA-7/COUGAR

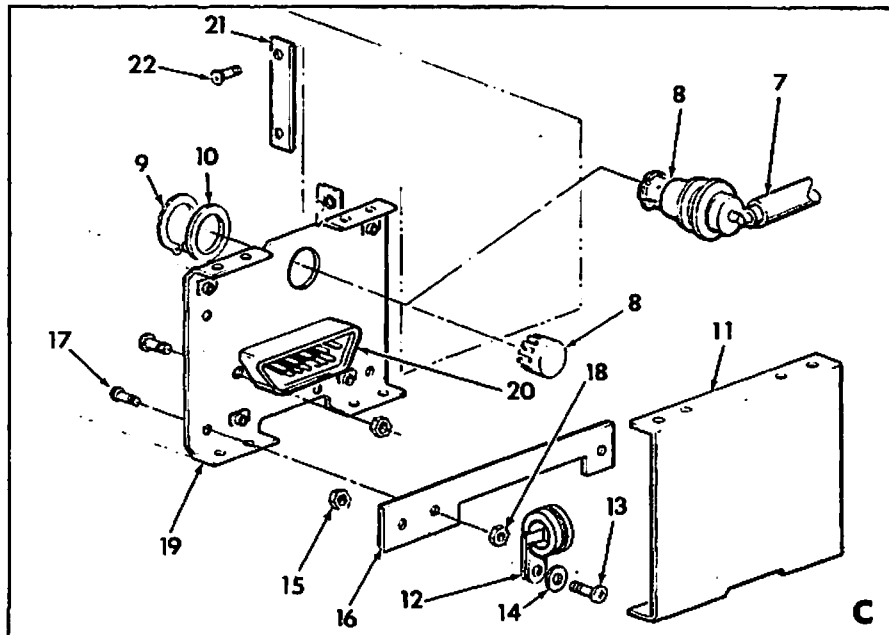
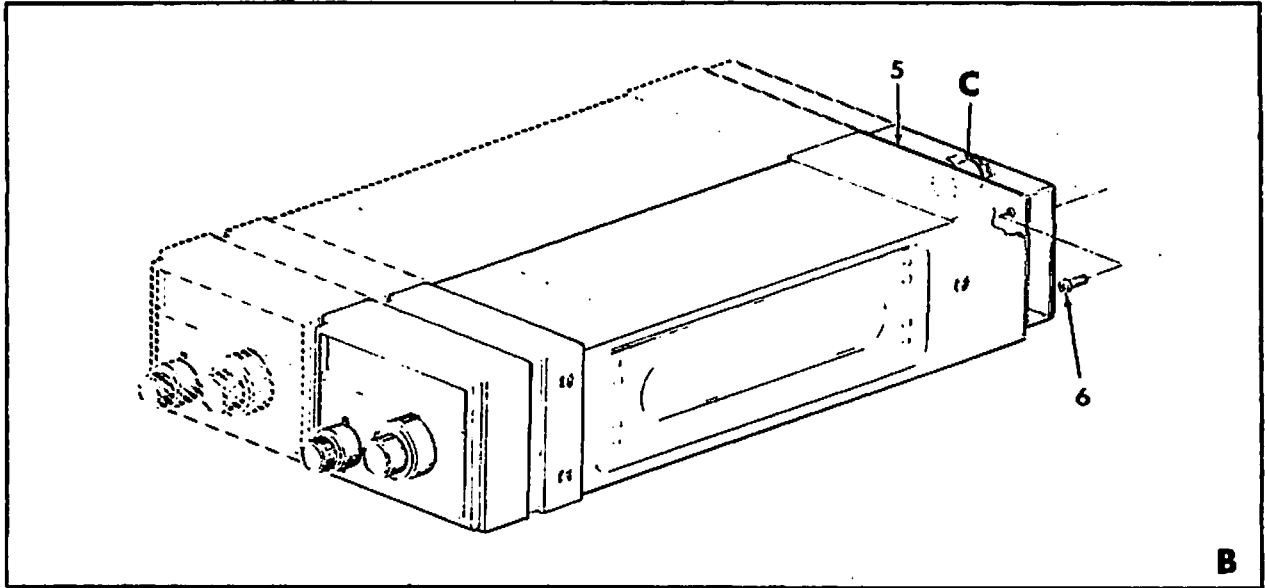
ILLUSTRATED PARTS CATALOG

Figure & Index No.	Part Number	Nomenclature	Units Per Assy	Usable On Code
34-16 -	7AV10700-1	NAVIGATION EQUIPMENT OPTIONS, COLLINS (SEE..... CHAPTER 23 FOR COMMUNICATIONS OPTIONS)	NP	R
- 1	7AV10740-1 7AV10740-7	.NAVIGATION SYSTEM INSTALLATION (OPTIONAL)..... ..VIR351/IND35/CLS350 NAV RECEIVER AND ILS..... INDICATOR WITH GLIDESLOPE INSTALLATION NAV 1 (OPTIONAL) (SEE FIGURE 34-17 FOR DETAIL BREAKDOWN)	RF RF	R R R R R R
- 2	7AV10740-5	..VIR351/IND350 OMNI RECEIVER AND VOR..... INDICATOR INSTALLATION, NAV 2 (OPTIONAL) (SEE FIGURE 34-19 FOR DETAIL BREAKDOWN)	RF	R R R R
- 3	7AV10740-9	..ADF650 AUTOMATIC DIRECTION FINDER..... INSTALLATION (OPTIONAL) (SEE FIGURE 34-20 FOR DETAIL BREAKDOWN)	RF	R R R R
- 4	7AV10740-11	..TOR950 TRANSPONDER INSTALLATION (OPTIONAL).... (SEE FIGURE 34-21 FOR DETAIL BREAKDOWN)	RF	R R R R
- 5	7AV10740-13	..AMR350 AUDIO/MARKER PANEL (OPTIONAL) (SEE..... FIGURE 34-22 FOR DETAIL BREAKDOWN)	RF	R R R R
- 6	7AV10719-1	.ALTITUDE ENCODER INSTALLATION (OPTIONAL)..... (SEE FIGURE 34-14 FOR DETAIL BREAKDOWN)	RF	R R R

GRUMMAN AMERICAN AVIATION
GA-7/COUGAR
ILLUSTRATED PARTS CATALOG



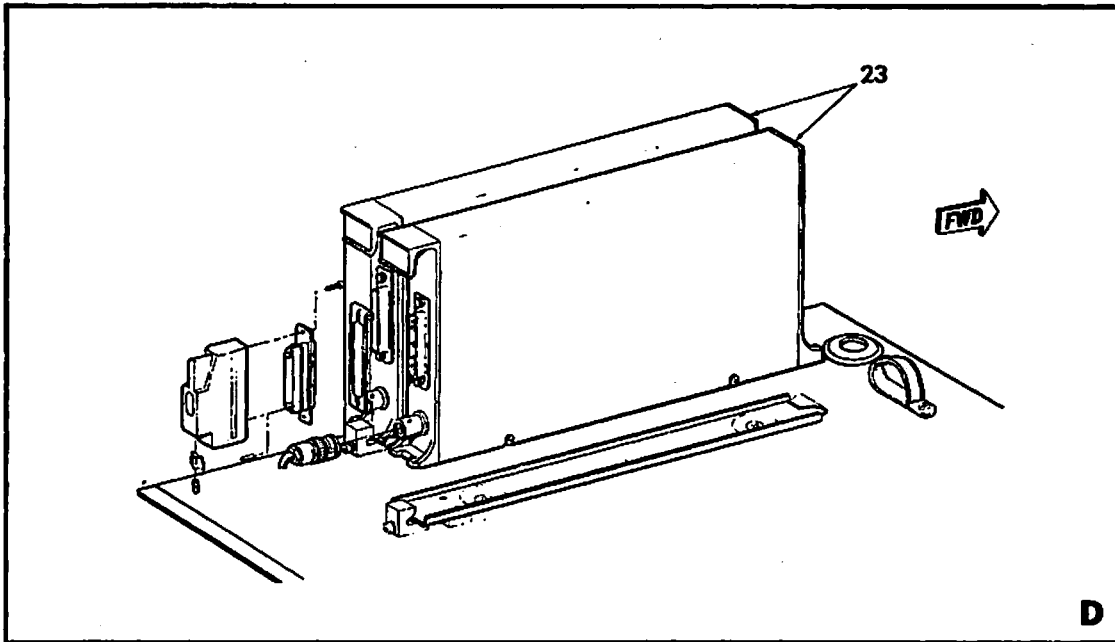
34G74-17-1



34G74-17-2

VIR351/IND351/GLS350 Nav Receiver and ILS Indicator With
 Glideslope Installation, Nav 1 (Optional)
 Figure 34-17 (Sheet 2 of 3)

GRUMMAN AMERICAN AVIATION
GA-7/COUGAR
ILLUSTRATED PARTS CATALOG

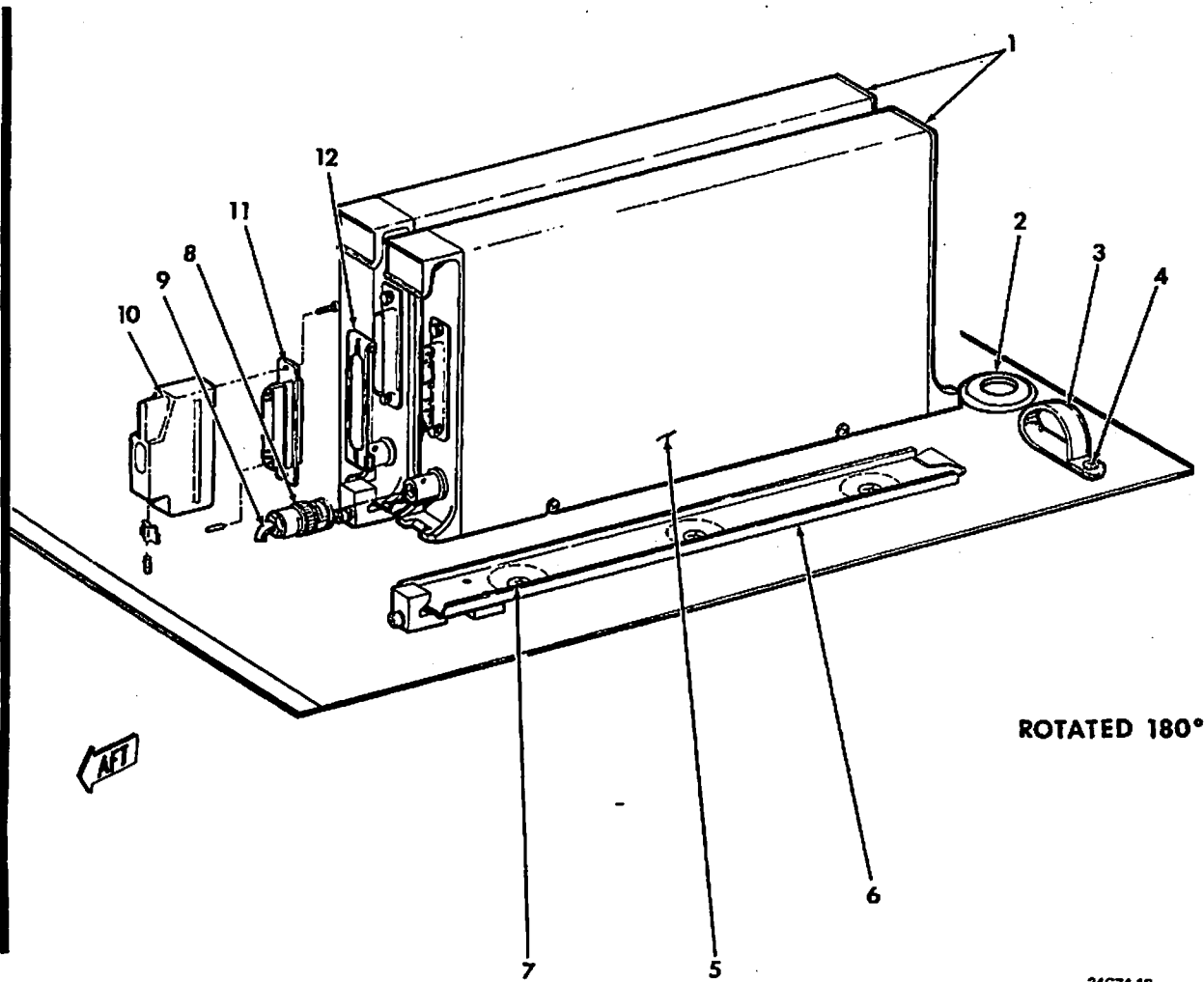
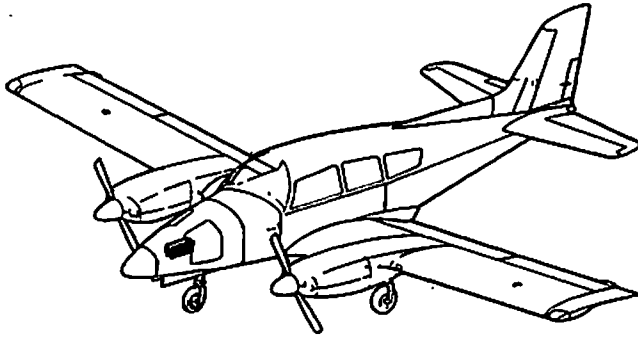


34G74-17-3

GRUMMAN AMERICAN AVIATION
GA-7/COUGAR
ILLUSTRATED PARTS CATALOG

Figure & Index No.	Part Number	Nomenclature	Units Per Assy	Usable On Code
34-17 -	7AV10740-7	VIR351/IND351/GLS350 NAV RECEIVER AND ILS..... INDICATOR WITH GLIDESLOPE INSTALLATION, NAV 1 (OPTIONAL) (SEE FIGURE 34-16 FOR NHA)	RF	R
- 1	VIR351	..RECEIVER, OMNI (13499) (OPTIONAL) (REFER..... TO COLLINS PARTS MANUAL FOR DETAIL BREAKDOWN)	1	R
- 2	IND351	..INDICATOR, ILS (13499) (OPTIONAL) (REFER..... TO COLLINS PARTS MANUAL FOR DETAIL BREAKDOWN)	1	R
- 3	343-0168-000	(ATTACHING PARTS) ..SCREW, MACHINE (13499).....	3	R
- 4	MP1677T5	..CIRCUIT BREAKER, 5 AMP (05231).....	1	R
	7AV10742-1	..CASE ASSEMBLY, VIR351 RECEIVER.....	1	R
- 5	628-5558-001	..TRAY, MOUNTING (13499).....	1	R
- 6	343-0167-000	..SCREW (13499).....	4	R
	7AV10747-3	..CABLE ASSEMBLY, ANTENNA.....	1	R
	2-331351-1	..CONNECTOR, RF (00779) (USED ON 7AV10747-3)	1	R
	7AV10747-13	..CABLE ASSEMBLY, ANTENNA (SUBSTITUTE FOR..... 7AV10747-3 WHEN DUAL NAV OR GLIDESLOPE INSTALLED)	1	R
- 7	2-331350-1	..CONNECTOR, RF (00779) (USED ON 7AV10747-13)	1	R
	RG584/U	..CABLE, ANTENNA.....	AR	R
- 8	357-7537-010	..CONNECTOR, RF, (13499).....	1	R
		(ATTACHING PARTS)		R
- 9	340-0012-000	..RING, RETAINING (13499).....	1	R
- 10	62R-5359-001	..WASHER, SHIM (13499).....	1	R
		-----		R
- 11	628-5590-001	..SHROUD (13499).....	1	R
- 12	150-1545-000	..CLAMP, LOOP TYPE (13499).....	1	R
		(ATTACHING PARTS)		R
- 13	343-0135-000	..SCREW, MACHINE (13499).....	1	R
- 14	310-0045-000	..WASHER, FLAT (13499).....	1	R
- 15	333-0605-000	..NUT, SELF-LOCKING (13499).....	1	R
		-----		R
- 16	628-5589-001	..BRACKET (13499).....	1	R
		(ATTACHING PARTS)		R
- 17	342-0045-000	..SCREW, MACHINE (13499).....	2	R
- 18	333-0605-000	..NUT, SELF-LOCKING (13499).....	2	R
		-----		R
- 19	628-5417-001	..PLATE (13499).....	1	R
- 20	371-0379-010	..CONNECTOR, RECEPTACLE (13499).....	1	R
- 21	628-5557-001	..STRAP (13499).....	1	R
		(ATTACHING PARTS)		R
- 22	342-0042-000	..SCREW, MACHINE (13449).....	2	R
		-----		R
- 23	7AV10748-1	..GLS350 GLIDESLOPE RECEIVER INSTALLATION..... SINGLE (OPTIONAL) (SEE FIGURE 34-18 FOR DETAIL BREAKDOWN)	RF	R
	7AV10748-3	..GLS350 GLIDESLOPE RECEIVER INSTALLATION..... DUAL (OPTIONAL) (SEE FIGURE 34-18 FOR DETAIL BREAKDOWN)	RF	R

GRUMMAN AMERICAN AVIATION
GA-7/COUGAR
ILLUSTRATED PARTS CATALOG



ROTATED 180°

34G74-18

Glideslope Receiver Installation (Optional)
Figure 34-18

GRUMMAN AMERICAN AVIATION

GA-7/COUGAR

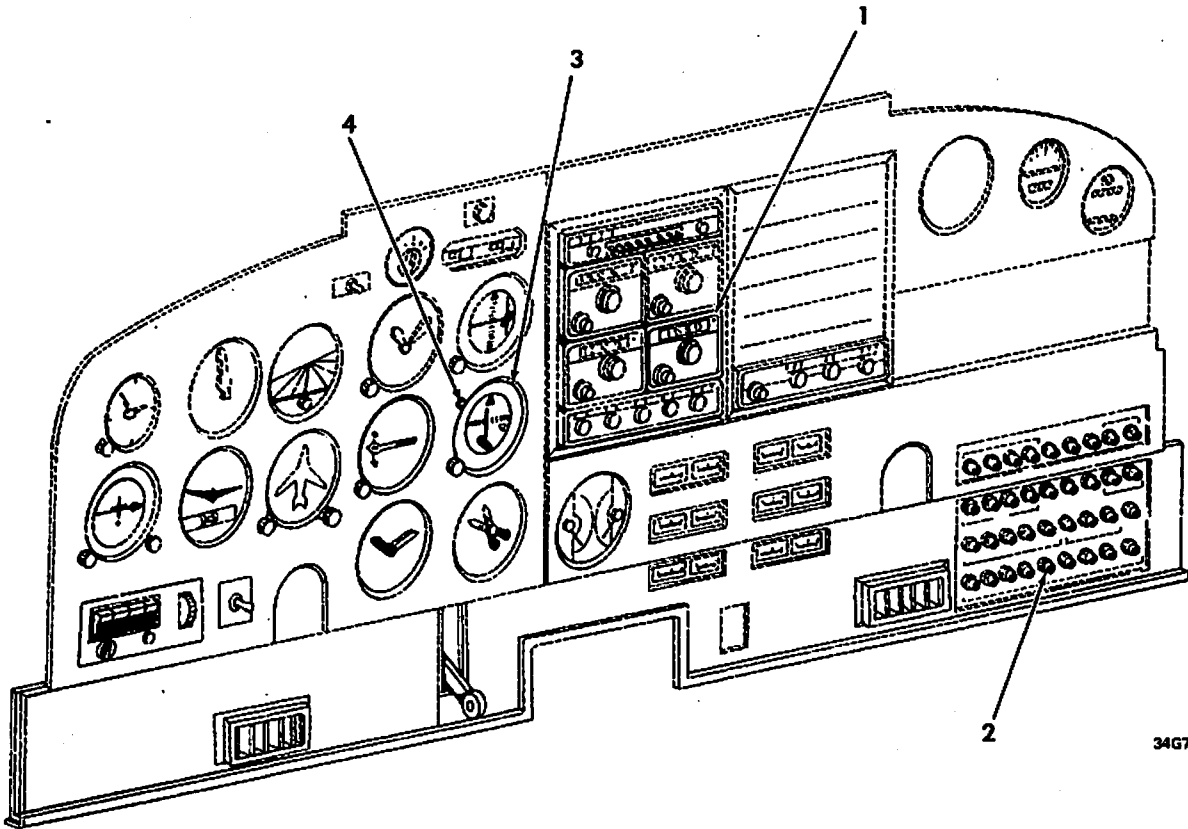
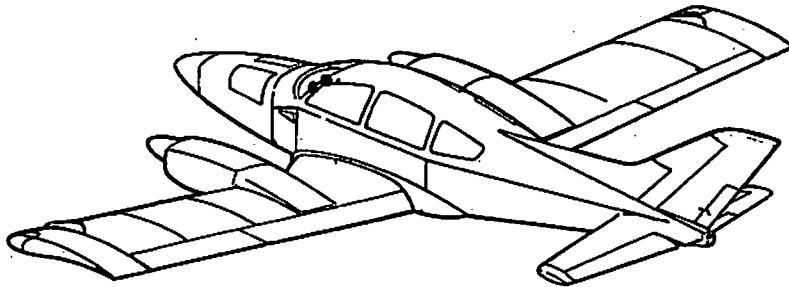
ILLUSTRATED PARTS CATALOG

Figure & Index No.	Part Number	Nomenclature							Units Per Assy	Usable On Code
		1	2	3	4	5	6	7		
34-1R - - 1 - 2 - 3 - 4 - 5 - 6 - 7 - 8 - 9 - 10 - 11 - 12 - 13	7AV10748-1	GLS350 GLIDESLOPE RECEIVER INSTALLATION,.....							NP,	R R R R R R R R R R R R R
		SINGLE (OPTIONAL) (SEE FIGURE 34-17 FOR NHA)								
	7AV10748-3	GLS350 GLIDESLOPE RECEIVER INSTALLATION,.....							NP	
		DUAL (OPTIONAL) (SEE FIGURE 34-17 FOR NHA)								
	GLS350	.GLIDESLOPE RECEIVER (13499) (REFER TO.....							1	
		COLLINS PARTS MANUAL FOR DETAIL BREAKDOWN)								
		(USED ON 7AV10748-1)								
	GLS350	.GLIDESLOPE RECEIVER (13499) (REFER TO.....							2	
		COLLINS PARTS MANUAL FOR DETAIL BREAKDOWN)								
		(USED ON 7AV10748-3)								
	MS21266-1	.GROMMET.....							1	
	MS21919DG6	.CLAMP, LOOP (USED ON 7AV10748-1).....							1	
	MS21919DG8	.CLAMP, LOOP (USED ON 7AV10748-3).....							1	
	(ATTACHING PARTS)									
MS35206-246	.SCREW, MACHINE.....							1		
AN960-8L	.WASHER, FLAT.....							1		
MS20365-838	.NUT, SELF-LOCKING.....							1		

7AV10745-1	.CASE ASSEMBLY, GLIDESLOPE RECEIVER (USED.....							1		
	ON 7AV10748-1)									
7AV10745-1	.CASE ASSEMBLY, GLIDESLOPE RECEIVER (USED.....							2		
	ON 7AV10748-3)									
628-7558-001	..TRAY ASSEMBLY (13499) (USED ON 7AV10748-1)...							1		
628-7558-001	..TRAY ASSEMBLY (13499) (USED ON 7AV10748-3)...							2		
	(ATTACHING PARTS)									
MS35206-246	..SCREW, MACHINE.....							3		
AN970-3	..WASHER, FLAT (BOTH SIDES OF DECK).....							6		
AN960-8L	..WASHER, FLAT.....							3		
MS20365-832	..NUT, SELF-LOCKING.....							3		

7AV10747-11	..CABLE ASSEMBLY, ANTENNA, GLIDESLOPE.....							1		
	RECEIVER									
2-331350-1	...CONNECTOR, RF (02660).....							1		
RG58A/U	...CABLE, RF.....							AR		
371-0379-170	...HDD (13499).....							1		
371-0379-090	...CONNECTOR, PLUG (13499).....							1		
371-0379-160	...LOCK, CONNECTOR (13499).....							1		
371-0379-130	...CONTACT, ELECTRICAL (13499).....							25		

GRUMMAN AMERICAN AVIATION
GA-7/COUGAR
ILLUSTRATED PARTS CATALOG

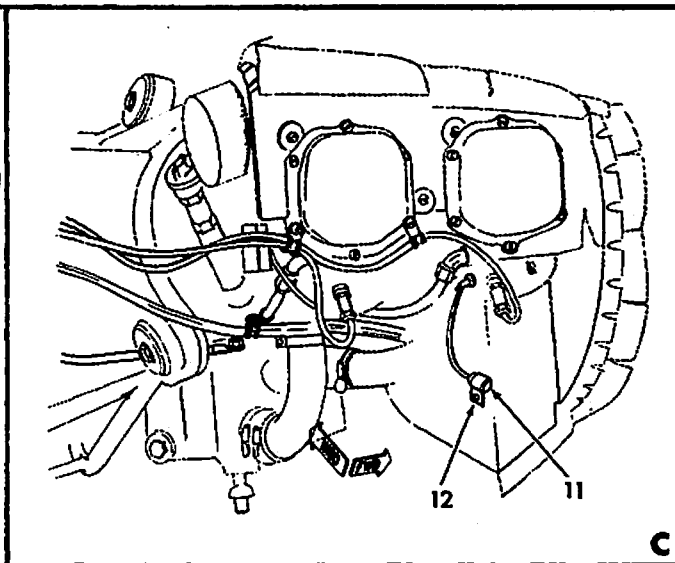
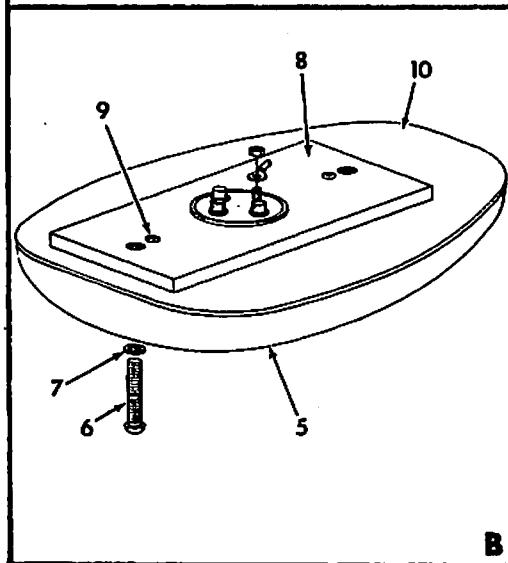
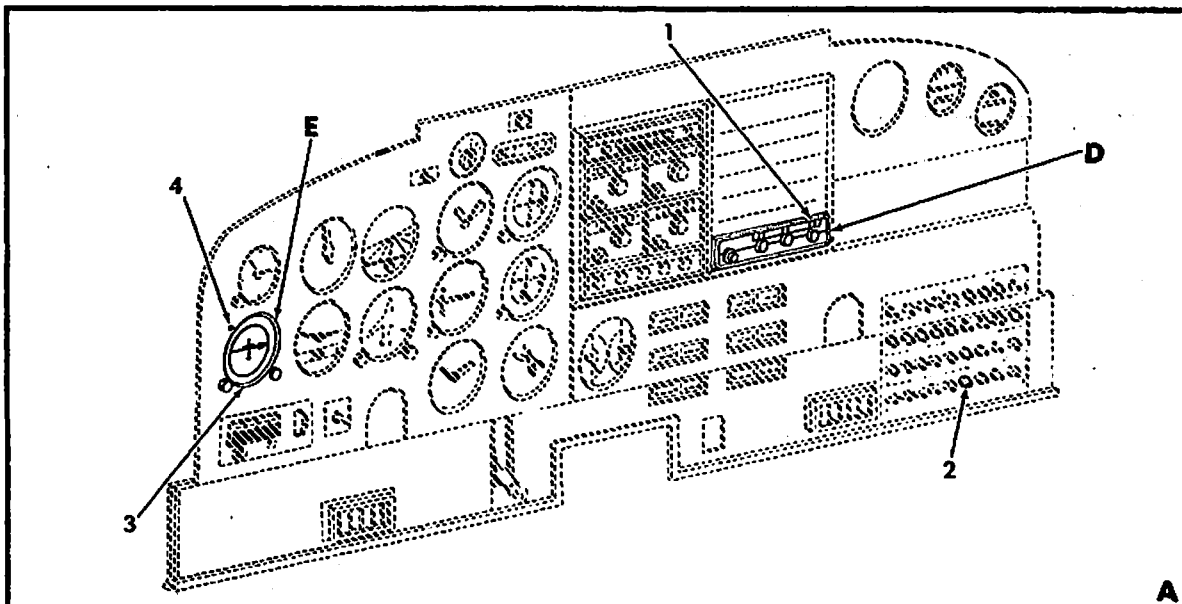
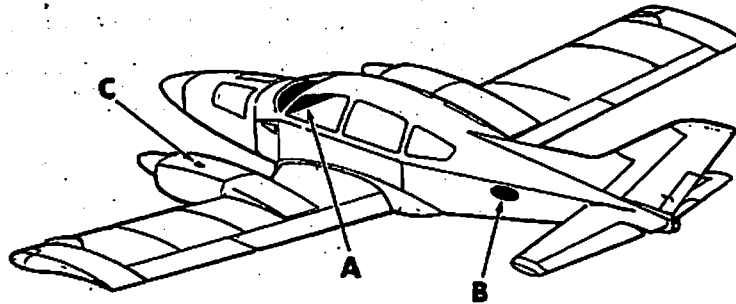


34G74-19

VIR351/IND350 Omni Receiver and VOR Indicator Installation
Figure 34-19

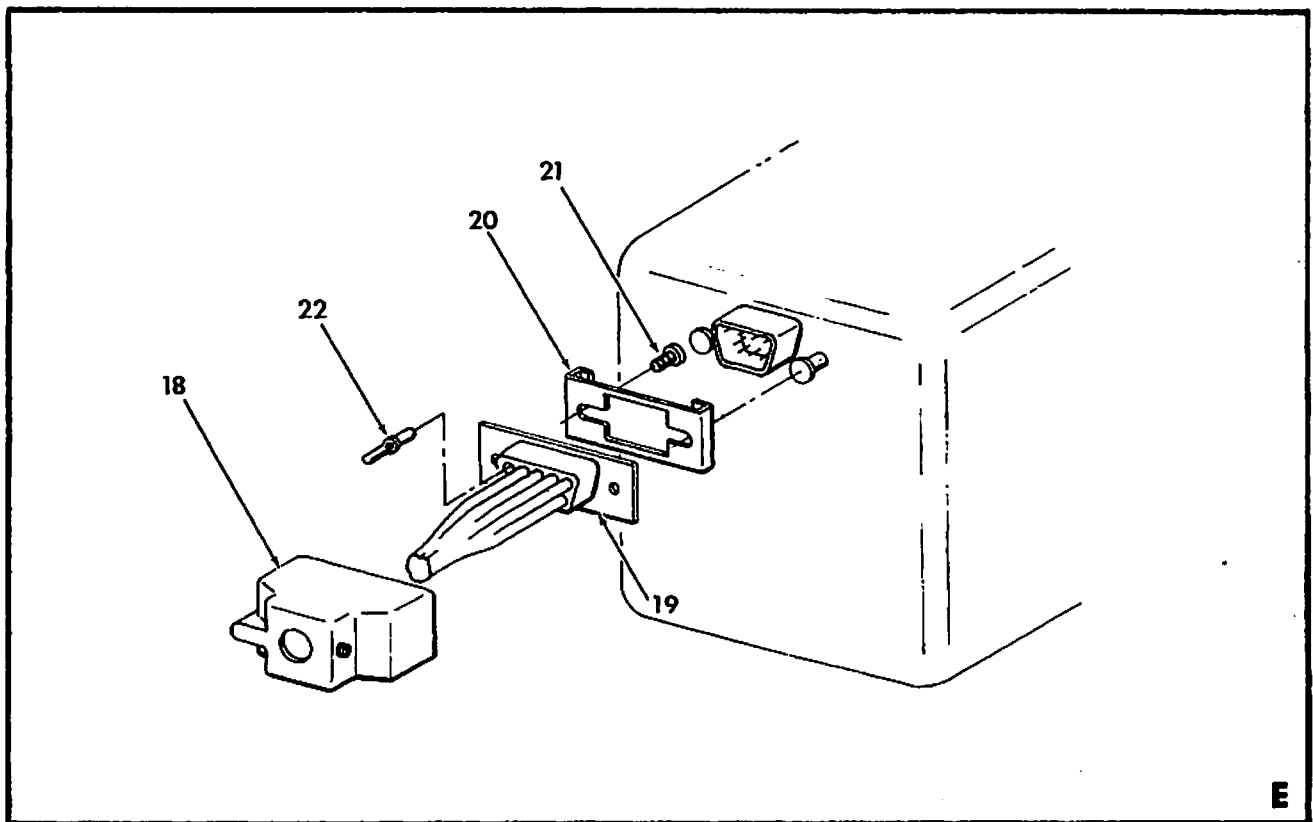
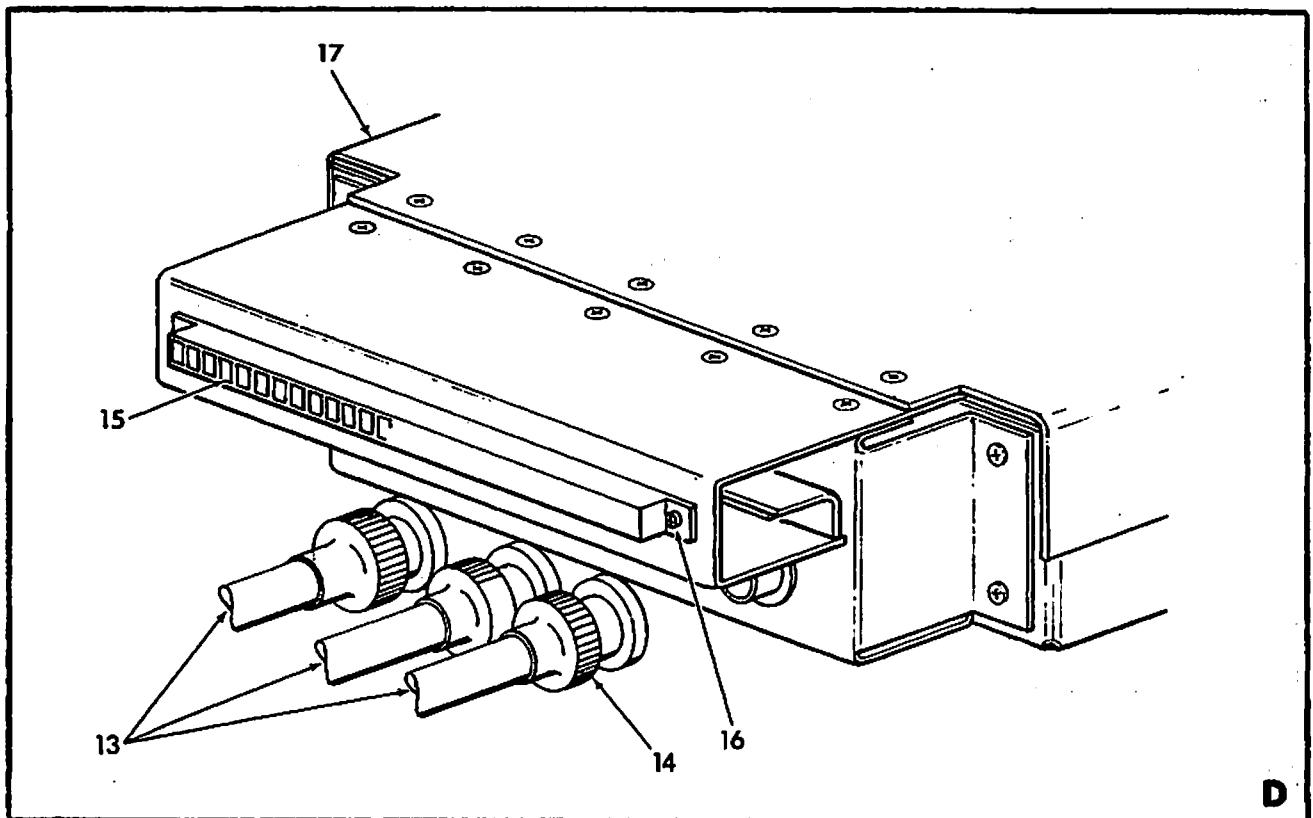
GRUMMAN AMERICAN AVIATION
GA-7/COUGAR
ILLUSTRATED PARTS CATALOG

Figure & Index No.	Part Number	Nomenclature							Units Per Assy	Usable On Code
		1	2	3	4	5	6	7		
34-19 -	7AV10740-5	VIR351/IND350 OMNI RECEIVER AND VOR.....							NP	R R R R R R R
		INDICATOR INSTALLATION, NAV 2 (OPTIONAL) (SEE FIGURE 34-16 FOR NHA)								
- 1	VIP351	.RECEIVER, OMNI (13499) (REFER TO COLLINS.....							1	
	7AV10742-1	PARTS MANUAL FOR DETAIL BREAKDOWN								
- 2	HP1600T5	..CASE ASSEMBLY, VIR351 (SEE FIGURE 34-17.....							1	
- 3	IND350	FOR DETAIL BREAKDOWN)								
		.CIRCUIT BREAKER, 5 AMP (05231).....							1	
		.INDICATOR, OMNI (13499) (REFER TO COLLINS.....							1	
		PARTS MANUAL FOR DETAIL BREAKDOWN)								
- 4	343-016R	(ATTACHING PARTS)								
		.SCREW, MACHINE (13499).....							3	



34G74-20-1

ADF650 Automatic Direction Finder Installation (Optional)
Figure 34-20 (Sheet 1 of 2)



ADF650 Automatic Direction Finder Installation (Optional)
Figure 34-20 (Sheet 2 of 2)

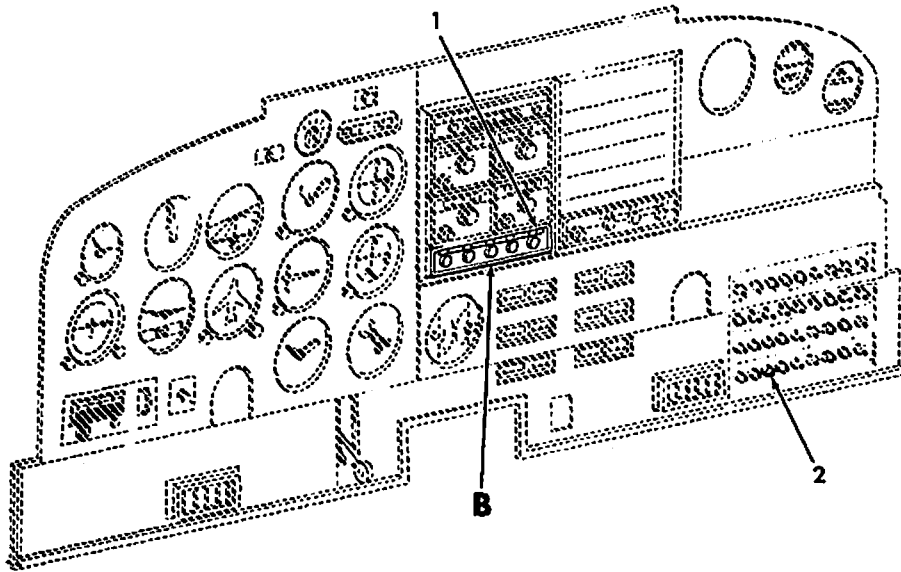
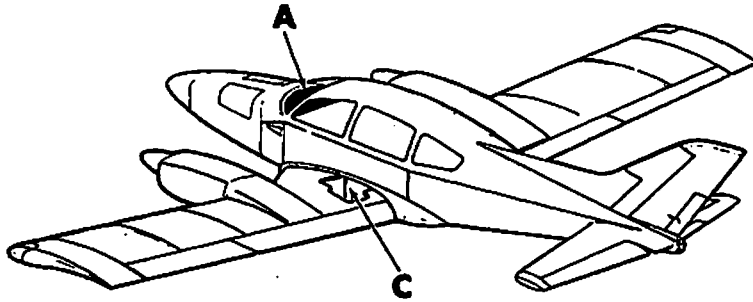
GRUMMAN AMERICAN AVIATION

GA-7/COUGAR

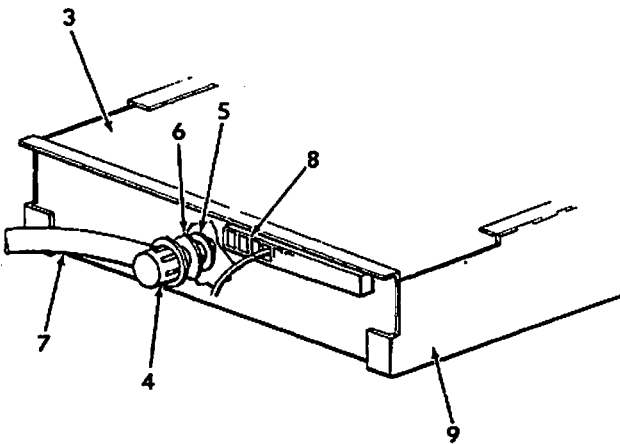
ILLUSTRATED PARTS CATALOG

Figure & Index No.	Part Number	Nomenclature 1 2 3 4 5 6 7	Units Per Assy	Usable On Code
34-20 -	7AV10740-9	ADF650 AUTOMATIC DIRECTION FINDER..... INSTALLATION (OPTIONAL) (SEE FIGURE 34-16 FOR NH4)	NP	R
- 1	RCR650	..RECEIVER, ADF (13499) (OPTIONAL) (REFER TO.... COLLINS PARTS MANUAL FOR DETAIL BREAKDOWN)	1	R
- 2	MP1600T5	..CIRCUIT BREAKER, 5 AMP (05231).....	1	P
- 3	IND650	..INDICATOR, ADF (13499) (REFER TO COLLINS..... PARTS MANUAL FOR DETAIL BREAKDOWN) (ATTACHING PARTS)	1	P
- 4	343-0168-000	..SCREW, MACHINE.....	3	R
	7AV10746-1	..ANTENNA, LOOP, ADF, INSTALLATION.....	RF	R
- 5	627-3596-301	..ANT650A ANTENNA (13499) (REFER COLLINS..... PARTS MANUAL FOR DETAIL BREAKDOWN) (ATTACHING PARTS)	1	P
- 6	343-1639-000	..SCREW (13499).....	2	R
- 7	310-0419-000	..WASHER, FLAT (13499).....	2	R
- 8	628-6641-001	..DOUBLER (13499)..... (ATTACHING PARTS)	1	R
- 9	343-0133-00	..SCREW (13499).....	2	R
- 10	628-6645-001	..GASKET (13499).....	1	R
	7AV10717-1	..FILTER, RFI INSTALLATION.....	RF	R
- 11	A1030	..FILTER ASSEMBLY, RFI (23939)..... (ATTACHING PARTS)	2	R
- 12	AN3-5	..BOLT.....	1	R
	AN960-10	..WASHER, FLAT.....	1	R
	MS20365-1032	..NUT, SELF-LOCKING.....	1	R
	7AV10743-1	..CASE ASSEMBLY, RCR650 ADF RECEIVER.....	1	P
- 13	7AV10747-9	..CABLE ASSEMBLY, ANTENNA, ADF.....	3	R
- 14	2-331350-1	..CONNECTOR, RF (02660).....	2	R
	RG58A/U	..CABLE, ANTENNA.....	AR	R
- 15	377-7513-180	..CONNECTOR, RECEPTACLE (13499)..... (ATTACHING PARTS)	1	R
- 16	330-1779-040	..SCREW (13499).....	2	R
- 17	628-5689-001	..TRAY (13499).....	1	R
- 18	371-0379-200	..HOOD, CONNECTOR (13499).....	1	R
- 19	371-0379-190	..CONNECTOR, PLUG (13499).....	1	R
- 20	371-0379-210	..LOCK, SLIDE (13499)..... (ATTACHING PARTS)	1	R
- 21	343-0168-000	..SCREW (13499).....	2	R
- 22	371-0379-0130	..CONTACT, ELECTRICAL (13499).....	AR	R

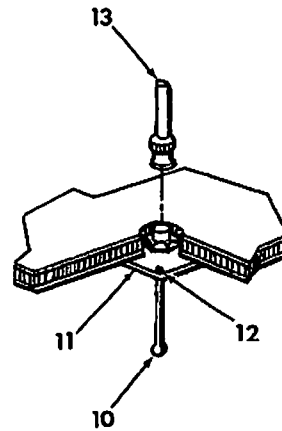
GRUMMAN AMERICAN AVIATION
GA-7/COUGAR
ILLUSTRATED PARTS CATALOG



A



B



C

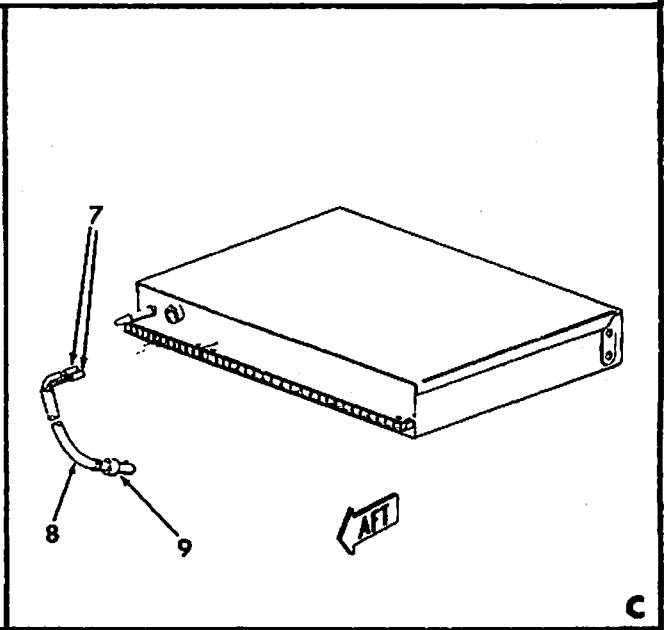
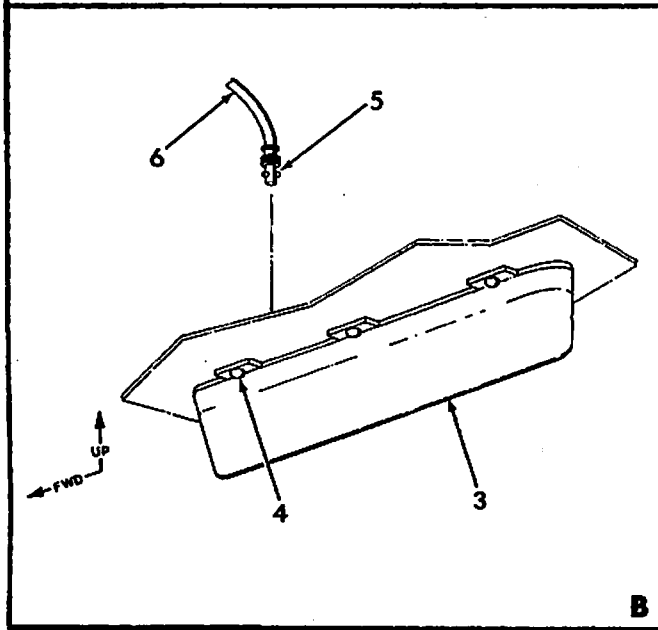
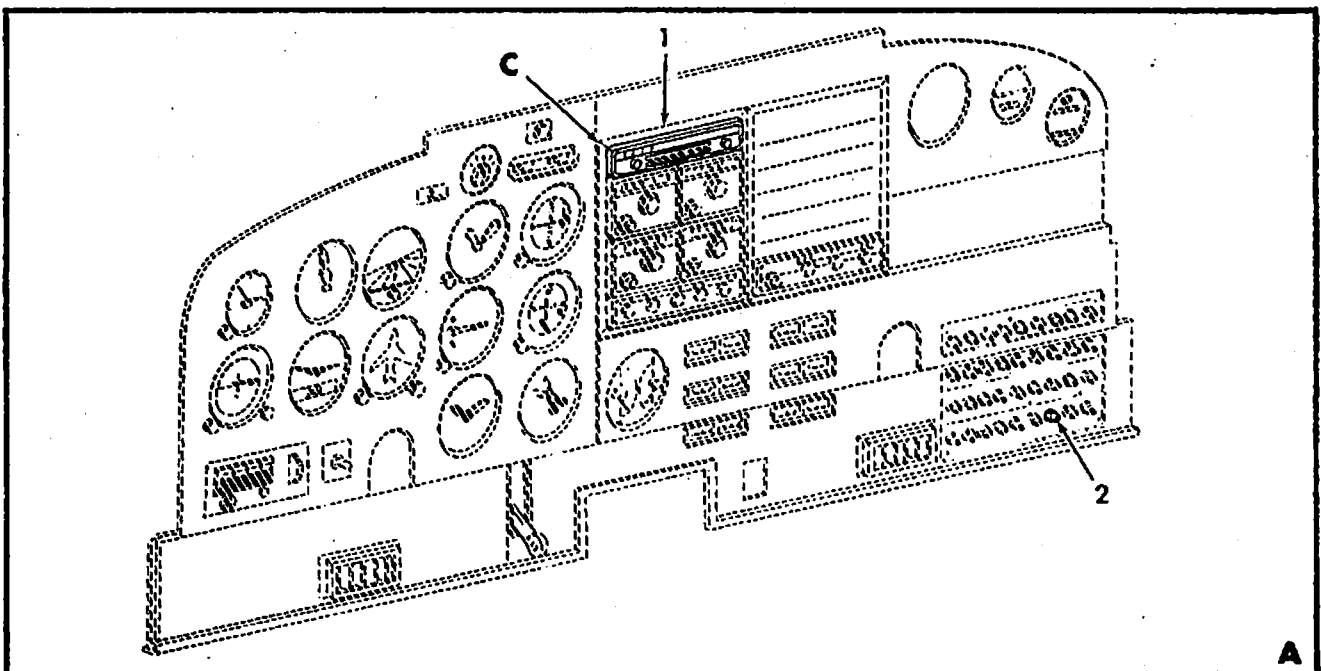
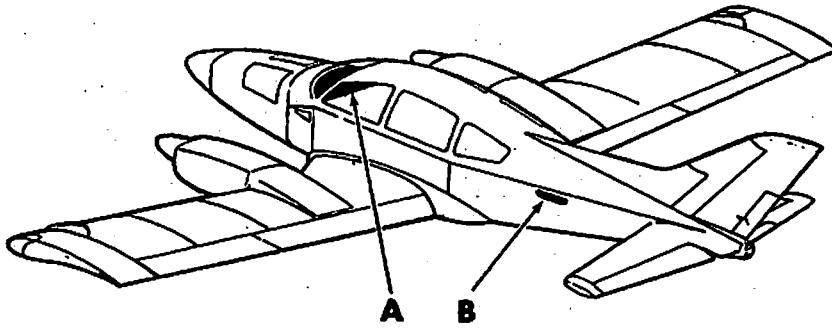
TDR950 Transponder Installation (Optional)
Figure 34-21

34G74-21

GRUMMAN AMERICAN AVIATION
GA-7/COUGAR
ILLUSTRATED PARTS CATALOG

Figure & Index No.	Part Number	Nomenclature 1 2 3 4 5 6 7	Units Per Assy	Usable On Code
34-21 -	7AV1074J-11	TDR950 TRANSPONDER INSTALLATION (OPTIONAL)..... (SEE FIGURE 34-16 FOR NHA)	NP	
- 1	TDR950	.TRANSPONDER (13499) (REFER TO COLLINS PARTS MANUAL FOR DETAIL BREAKDOWN)	1	R
- 2	MP1A70TS	.CIRCUIT BREAKER, 5 AMP (05231).....	1	R
- 3	7AV10744-1	.CASE ASSEMBLY, TDR950.....	1	R
- 4	7AV10747-7 357-7532-010	..CABLE ASSEMBLY..... ..CONNECTOR, PLUG (13499)..... (ATTACHING PARTS)	1 1	R
- 5	340-0012-000	..RING, RETAINING (13499).....	1	R
- 6	628-5359-001	..WASHER, SHIM (13499).....	1	R
- 7	7AV10747-7 2-331351-1 RG58A/U	..CABLE ASSEMBLY..... ..CONNECTOR, PLUG, RF, TYPE BNC (02660)..... ..CABLE, COAXIAL, RF.....	1 1 AR	R
- 8	372-7513-280 372-7513-200	..CONNECTOR, RECEPTACLE (13499)..... ..CONTACT, ELECTRICAL (13499).....	1 15	R
- 9	628-5578-001 7AV10707-11	..TRAY, MOUNTING (13499)..... ..ANTENNA INSTALLATION, TRANSPONDER.....	1	R
- 10	013-0572-010	..ANTENNA, TRANSPONDER (13499).....	1	R
- 11	7F10920-17	..DOUBLER..... (ATTACHING PARTS)	1	R
- 12	1601-0410	..RIVET (19738).....	4	R
- 13	7AV10709-5 2-331350-1 RG58A/U	..CABLE ASSEMBLY, ANTENNA..... ..CONNECTOR, PLUG, RF, TYPE BNC (02660)..... ..CABLE, COAXIAL, RF.....	1 2 AR	R

GRUMMAN AMERICAN AVIATION
GA-7/COUGAR
ILLUSTRATED PARTS CATALOG



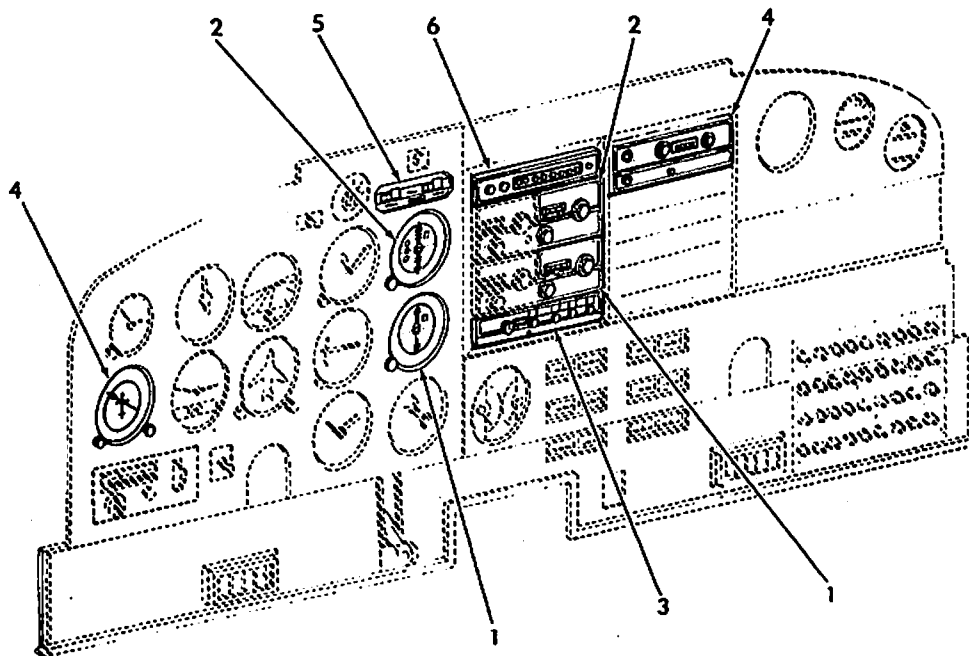
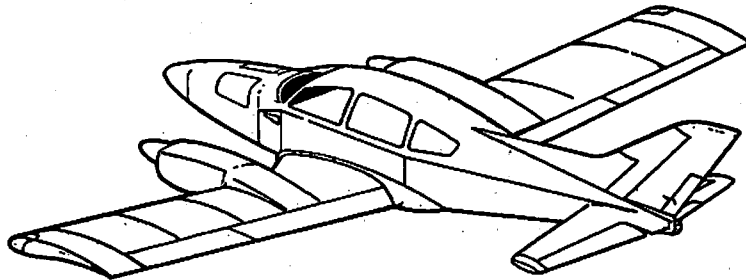
AMR350 Audio/Marker Control Panel Installation (Optional)
 Figure 34-22

34G74-22

GRUMMAN AMERICAN AVIATION
GA-7/COUGAR
ILLUSTRATED PARTS CATALOG

Figure & Index No.	Part Number	Nomenclature 1 2 3 4 5 6 7	Units Per Assy	Usable On Code
34-22 -	7AV10740-13	AMR350 AUDIO/MARKER CONTROL PANEL..... INSTALLATION (OPTIONAL) (REFER ALSO TO CHAPTER 23) (SEE FIGURE 34-16 FOR NHA)	NP	R
- 1	AMR350	.AUDIO/MARKER CONTROL PANEL (13499) (REFER..... COLLINS PARTS MANUAL FOR DETAIL BREAKDOWN)	RF	R
- 2	MP1600T5	.CIRCUIT BREAKER, 5 AMP (05231).....	1	R
- 3	7AV10707-7 DMN43-3	.ANTENNA INSTALLATION, MARKER BEACON..... ..ANTENNA, MARKER BEACON (85226)..... (ATTACHING PARTS)	RF 1'	R
- 4	1601-0512	..RIVET (19738).....	6	R
- 5	7AV10708-7	..CABLE ASSEMBLY, ANTENNA, MARKER BEACON.....	1	R
- 6	2-331350-1 RG58A/U	..CONNECTOR, PLUG, RF, TYPE BNC (02660)..... ..CABLE, COAXIAL, RF, 50 OHM.....	2 AR	R
- 7	7AV10747-9 372-7513-190	.CABLE ASSEMBLY, ANDIO/MARKER PANEL..... ..CONTACT, ELECTRICAL (13499).....	1 2	R
- 8	RG58A/U	..CABLE, COAXIAL, RF, 50 OHM.....	AR	R
- 9	2-331351-1	..CONNECTOR, PLUG, RF, TYPE BNC (02660).....	1	R

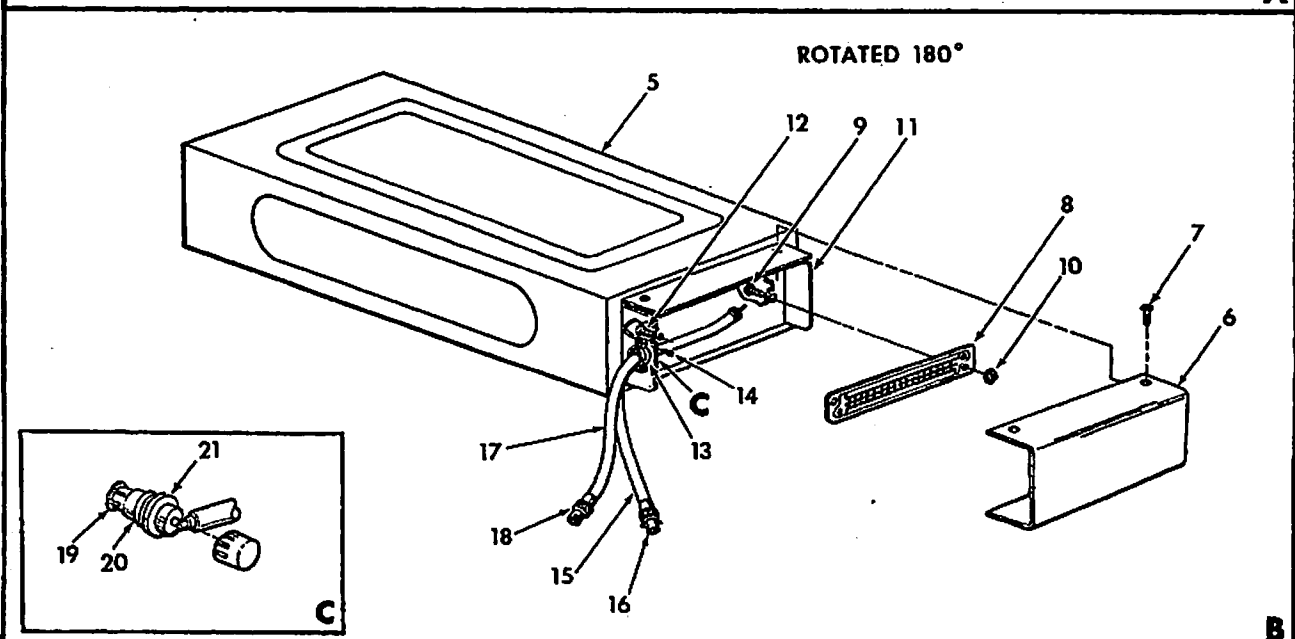
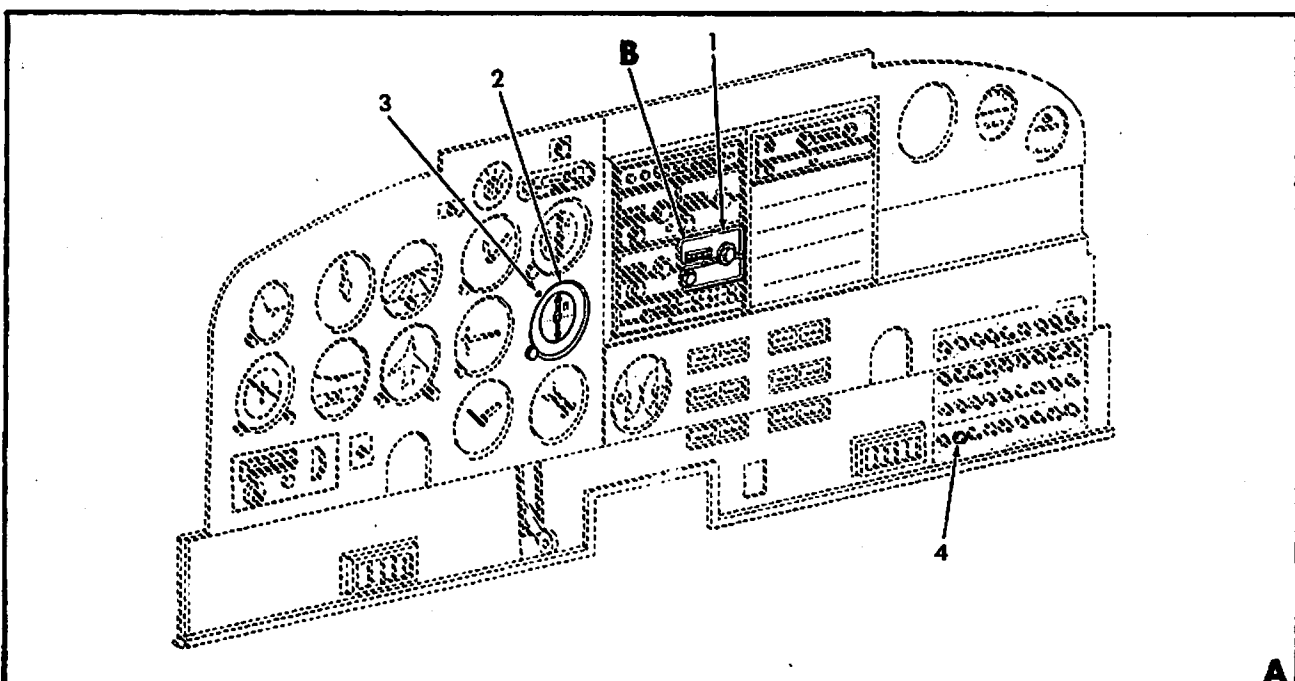
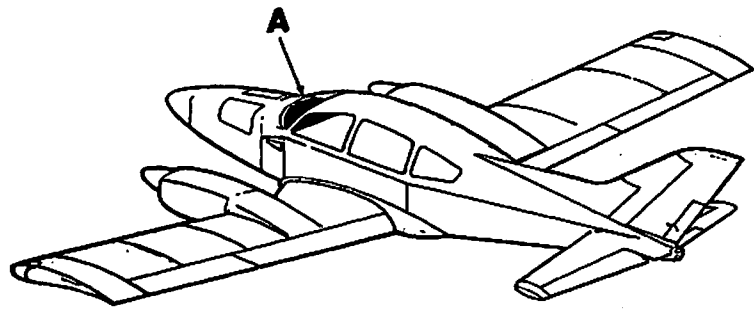
GRUMMAN AMERICAN AVIATION
GA-7/COUGAR
ILLUSTRATED PARTS CATALOG



Navigation Equipment Options, King
Figure 34-23

34G74-23

GRUMMAN AMERICAN AVIATION
GA-7/COUGAR
ILLUSTRATED PARTS CATALOG



KX175B/K1203 Omni Receiver and VOR/LOC Indicator Installation, Nav 1 (Optional)
Figure 34-24

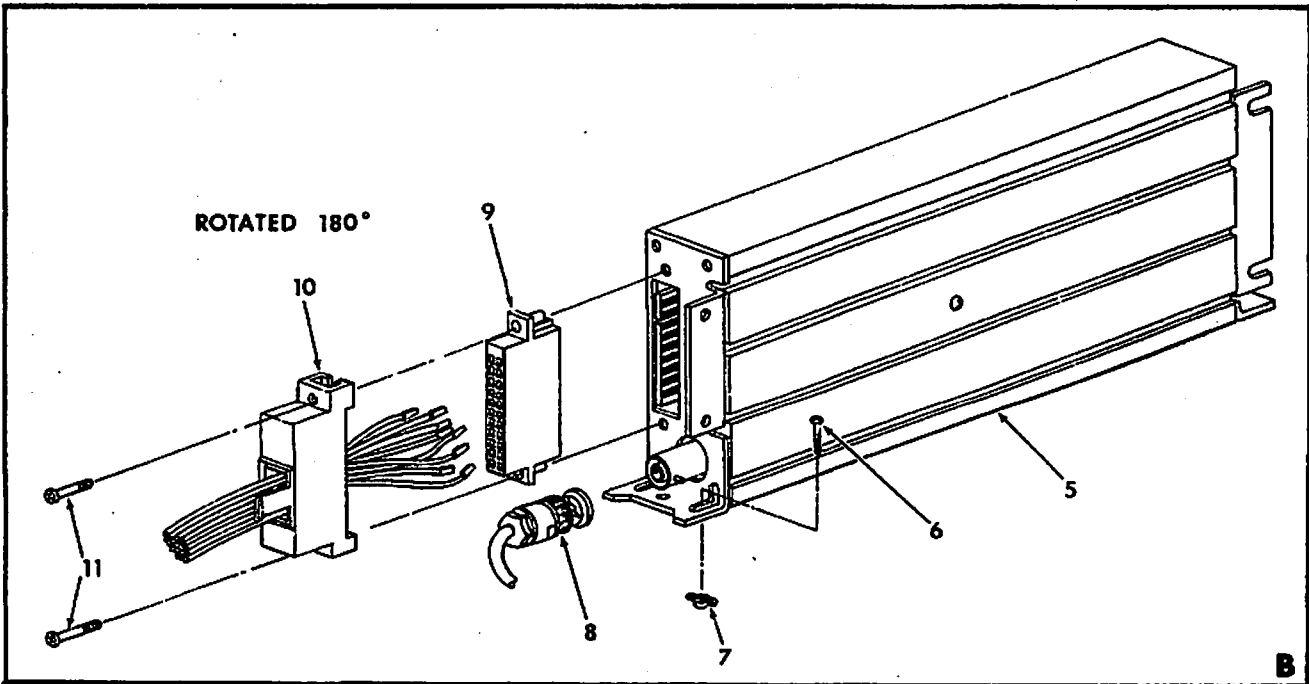
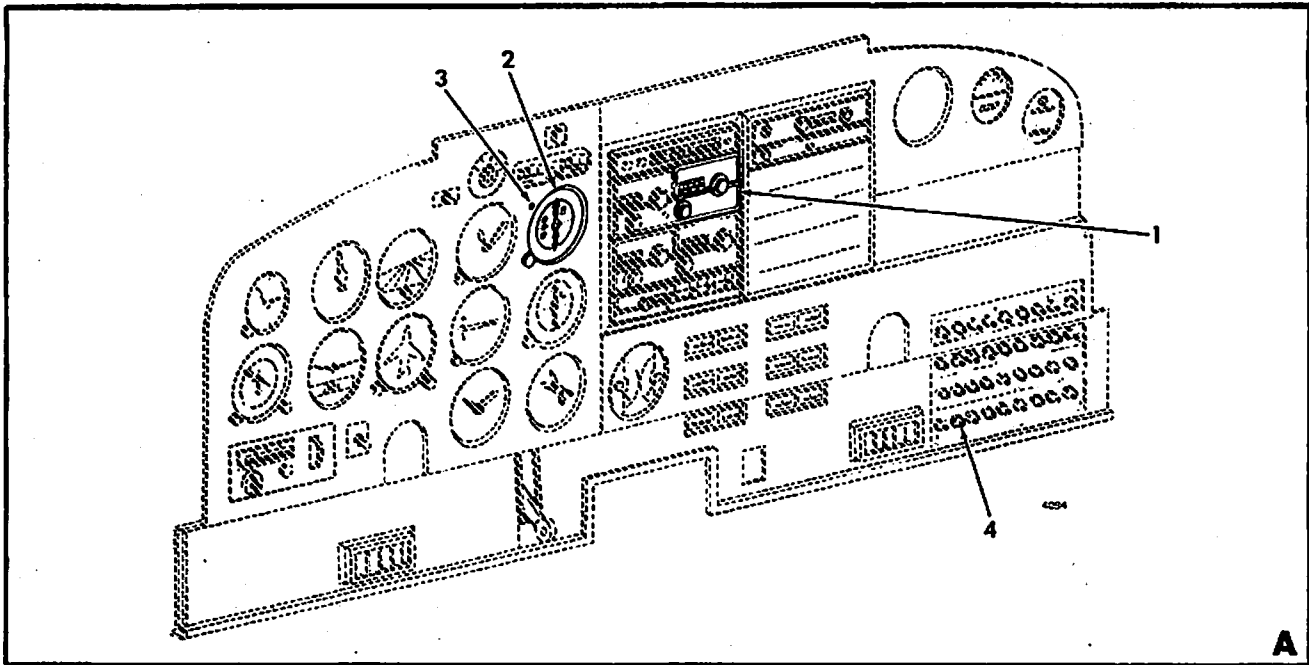
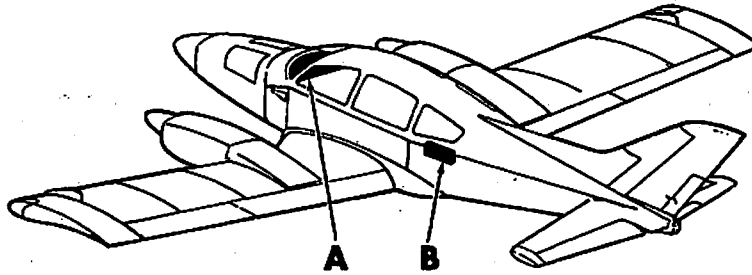
GRUMMAN AMERICAN AVIATION

GA-7/COUGAR

ILLUSTRATED PARTS CATALOG

Figure & Index No.	Part Number	Nomenclature							Units Per Assy	Usable On Code
		1	2	3	4	5	6	7		
34-24 -	7AV10751-1	KX1758/K1203 OMNI RECEIVER AND VOR/LOC..... INDICATOR INSTALLATION, NAV 1 (OPTIONAL) (SEE FIGURE 34-23 FOR NHA)							RF	
- 1	KX1758	.RECEIVER OMNI (22373) (OPTIONAL) (REFER..... TO KING PARTS MANUAL FOR DETAIL BRFKDOWN)							1	
- 2	K1203	.INDICATOR, VOR/LOC (22373) (OPTIONAL)..... BRFKDOWN)							1	
- 3	FHP6-32X11/16 (ATTACHING PARTS) .SCREW MACHINE (22373).....							3	
- 4	MP1600T5	.CIRCUIT BREAKER, 5 AMP (05231)							1	
- 5	5802336-512	.CASE ASSEMBLY, KX1758 RECEIVER.....							1	
- 6	047-1695-00	..TRAY, MOUNTING (22373).....							1	
- 6	047-1851-00	...COVER PLATE (22373)..... (ATTACHING PARTS)							1	
- 7	089-6038-04	...SCREW (22373).....							4	
- 8	030-7101-04	...CONNECTOR, RECEPTACLE (22372)..... (ATTACHING PARTS)							1	
- 9	089-5903-05	...SCREW (22373).....							2	
- 10	89-2199-22	...NUT, SELF-LOCKING (22373).....							2	
- 11	047-1743-01	...PLATE, MOUNTING (22373)..... (ATTACHING PARTS)							1	
- 12	089-5907-05	...SCREW (22373).....							2	
- 13	030-1019-00	...CLAMP, CABLE (22373)..... (ATTACHING PARTS)							2	
- 14	089-5523-05	...SCREW (22373).....							2	
- 15	5802038-514	...CABLE ASSEMBLY, ANTENNA.....							1	
- 16	2-331351-1 RG58A/U	...CONNECTOR, RF (00779).....							1	
- 17	5802033-515	...CABLE ASSEMBLY, ANTENNA.....							AR	
- 18	2-331350-1 RG58A/U	...CONNECTOR, RF (00779).....							1	
- 19	030-0061-00	...CABLE, ANTENNA.....							AR	
- 19	030-0061-00	...CONNECTOR, ANTENNA, CABLE (22373) (SEE..... INDEX NUMBERS 15 AND 17 FOR NHA)							2	
- 20	000-0019-07	...RING, RETAINER (22373) (SEE INDEX..... NUMBERS 15 AND 17 FOR NHA)							2	
- 21	089-4094-30	...WASHER, FLAT (22373) (SEE INDEX NUMBERS..... 15 AND 17 FOR NHA)								

GRUMMAN AMERICAN AVIATION
GA-7/COUGAR
ILLUSTRATED PARTS CATALOG



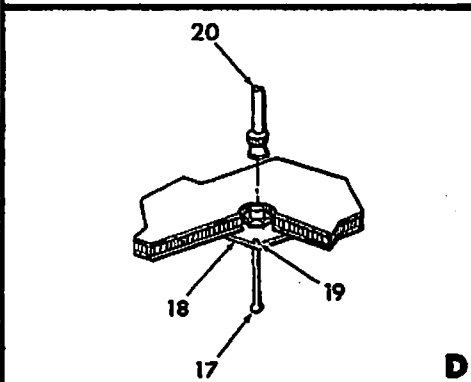
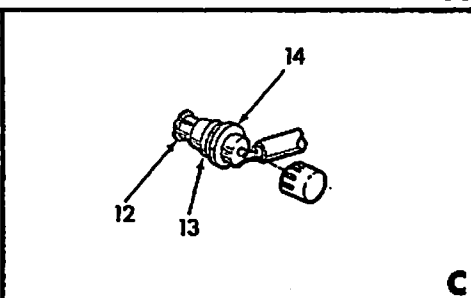
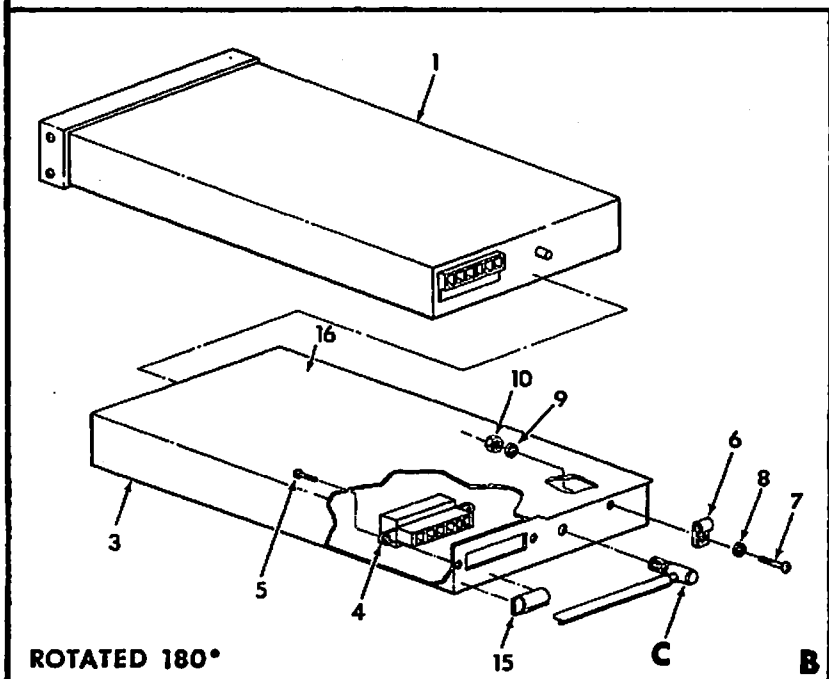
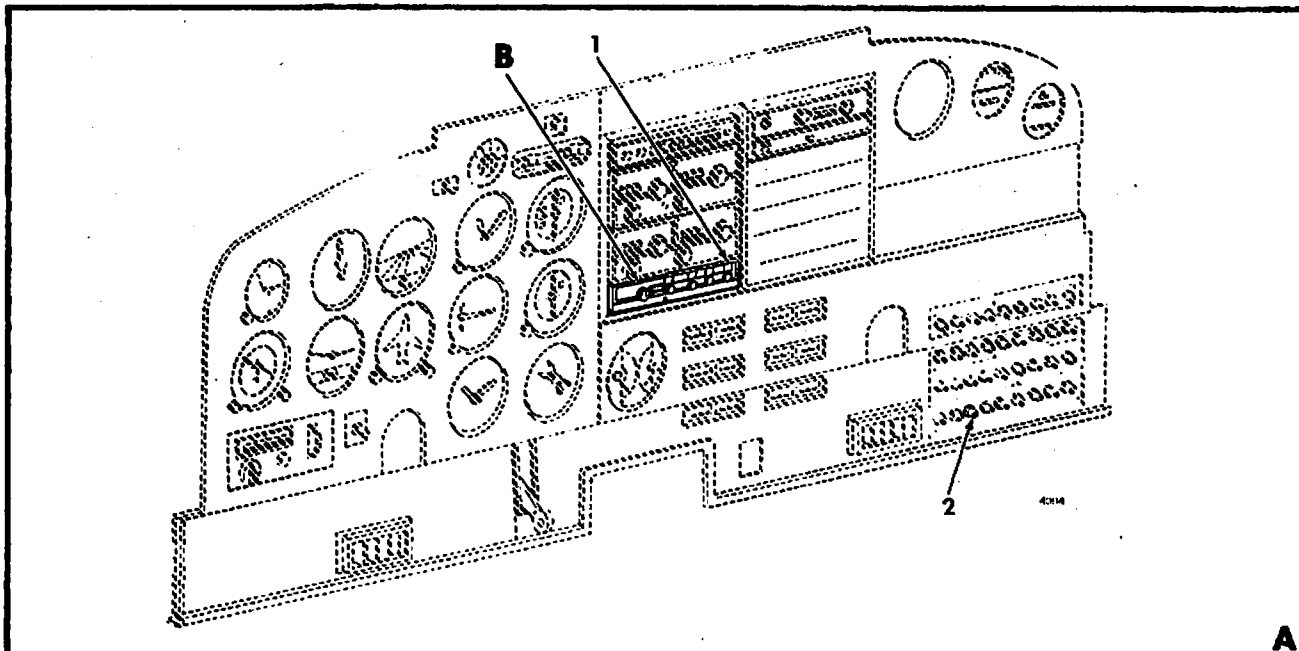
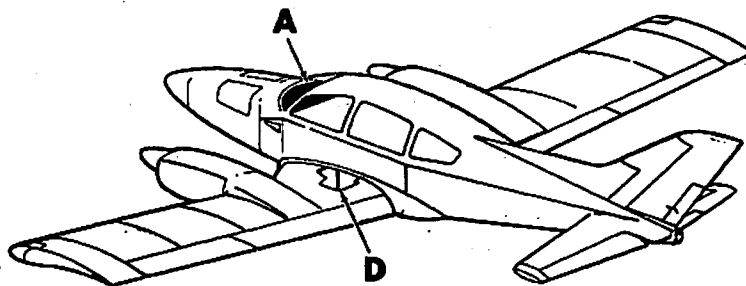
KX175B/KI204/KN75 ILS Transceiver and VOR/LOC Indicator
With Glidescope Installation (Optional)
Figure 34-25

34G74-25

GRUMMAN AMERICAN AVIATION
GA-7/COUGAR
ILLUSTRATED PARTS CATALOG

Figure & Index No.	Part Number	Nomenclature							Units Per Assy	Usable On Code
		1	2	3	4	5	6	7		
34-25 -	7AV17752-1	KX175R/KI204/KN75 ILS TRANSCIEVER AND.....							PF	R R R R R R R R R R R
- 1	KX175R	VOR/LOC INDICATOR WITH GLIDESLOPE INSTALLATION (OPTIONAL) (SEE FIGURE 34-23 FOR NHA)							1	
- 2	5R2226-512	.TRANSCIEVER, ILS (22373) (OPTIONAL) (REFER....							1	
	KI204	TO KING PARTS MANUAL FOR DETAIL BREAKDOWN)							1	
- 3	FHP6-22Y11/16	.CASE ASSEMBLY, KX175R TRANSCIEVER (SEE.....							3	
- 4	MP1A00PT5	FIGURE 34-24 FOR INSTALLATION)							1	
- 5	264-1753-00	.INDICATOR, VOR/LOC WITH GLIDESLOPE (22373)							1	
- 6	MS35216-243	(OPTIONAL) (REFER TO KING PARTS MANUAL.....							2	
- 7	NAS686A08	FOR DETAIL BREAKDOWN) (ATTACHING PARTS)							2	
- 8	030-0005-00	.SCREW, MACHINE (22373).....							1	
- 9	030-1004-50	.CIRCUIT BREAKER, 5 AMP (95231).....							1	
- 10	088-0752-00	.KN75 RECEIVER, GLIDESLOPE (22373).....							1	
- 11	089-0541-00	(ATTACHING PARTS)							2	
	7AV17757-1	.NUT PLATE.....							PF	
		.CONNECTOR, ANTENNA.....								
		.CONNECTOR, ELECTRICAL (22373).....								
		.HOOD, ELECTRICAL (22373).....								
		(ATTACHING PARTS)								
		.SCREW (22373).....								
		.ANTENNA INSTALLATION, NAVIGATION (OPTIONAL)...								
		(SEE FIGURE 34-7 FOR PARTS BREAKDOWN)								

GRUMMAN AMERICAN AVIATION
GA-7/COUGAR
ILLUSTRATED PARTS CATALOG



KT76A Transponder Installation (Optional)
Figure 34-26

34G74-26

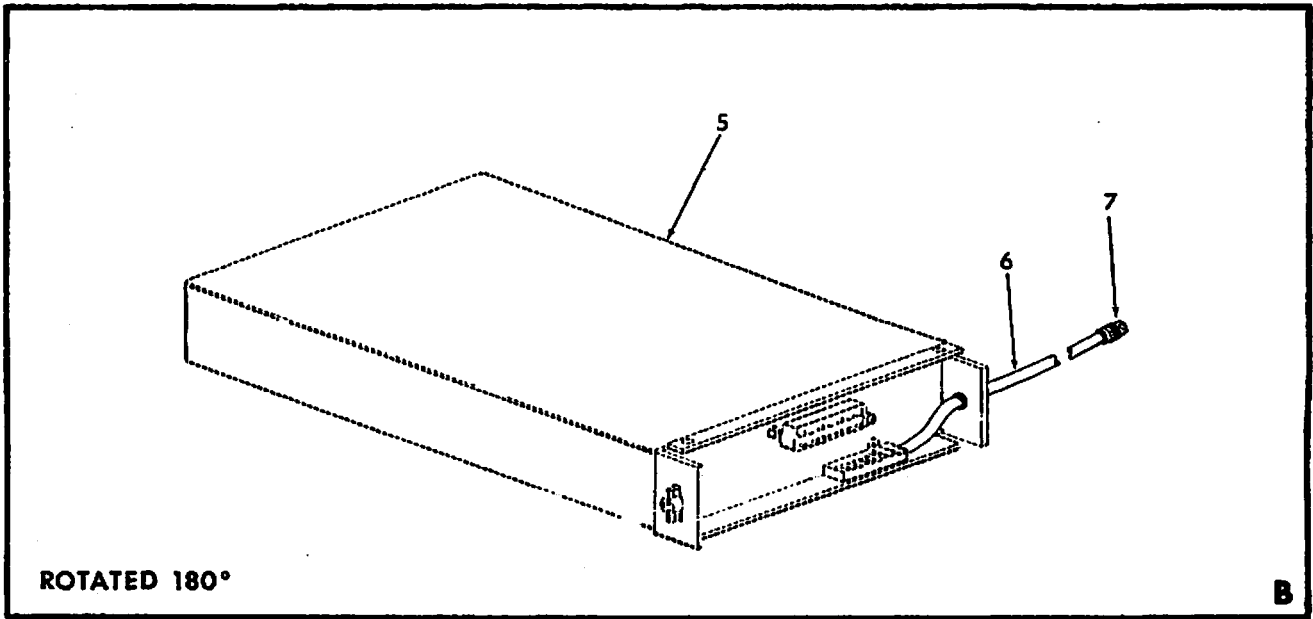
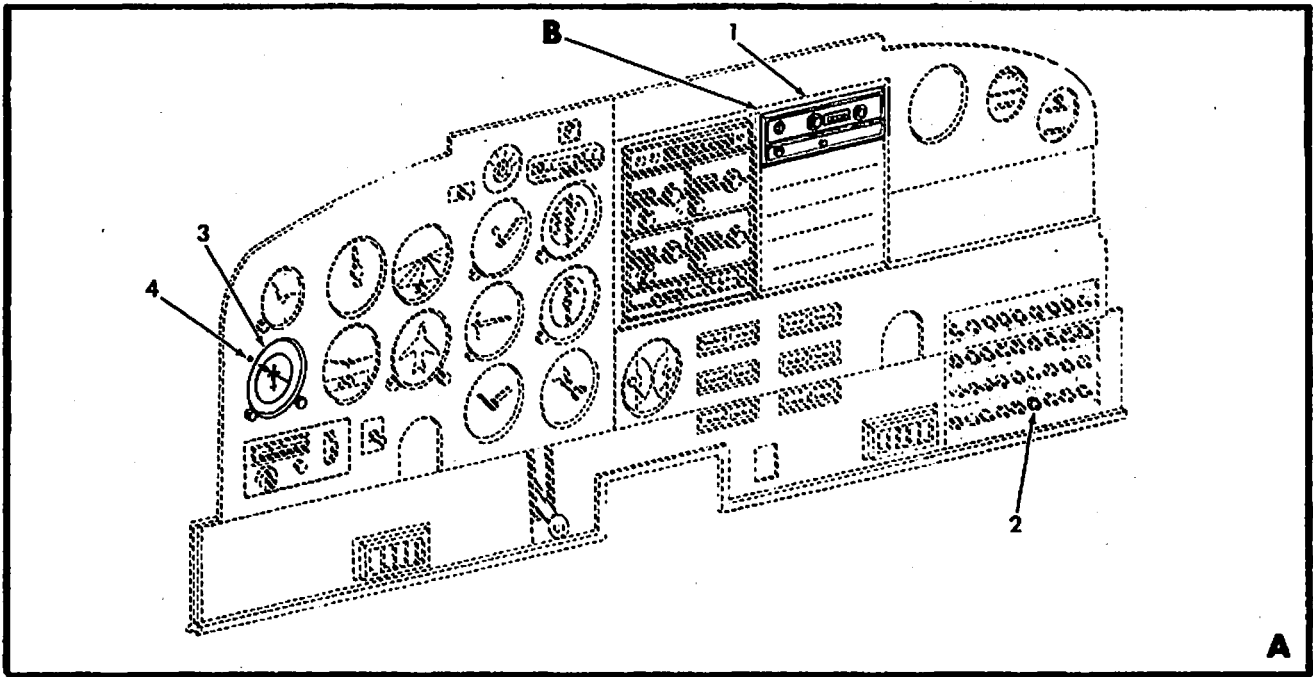
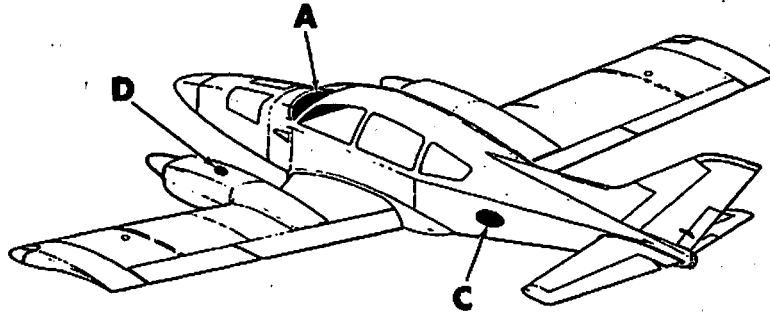
GRUMMAN AMERICAN AVIATION

GA-7/COUGAR

ILLUSTRATED PARTS CATALOG

Figure & Index No.	Part Number	Nomenclature	Units Per Assy	Usable On Code
34-26 -	7AV13753-1	KT76A TRANSPONDER INSTALLATION (SEE FIGURE..... 34-23 FOR (NHA)	RF	
- 1	066-1062-00	..TRANSPONDER, KT76A (22373) (REFER TO KING..... PARTS MANUAL FOR DETAIL BREAKDOWN	1	
- 2	MP1600TS	..CIRCUIT BREAKER, 5 AMP (05231).....	1	
- 3	5802066-501	..CASE ASSEMBLY, KT76A.....	1	
- 4	030-1094-02	..CONNECTOR, ELECTRICAL (22373)..... (ATTACHING PARTS)	1	
- 5	089-5903-07	..SCREW MACHINE (22373).....	2	
- 6	091-0031-05	..CLAMP, CABLE (22373)..... (ATTACHING PARTS)	1	
- 7	089-5907-06	..SCREW, MACHINE (22373).....	1	
- 8	089-8027-30	..WASHER, FLAT (22373).....	1	
- 9	089-8110-34	..WASHER, LOCK (22373).....	1	
- 10	089-2013-37	..NUT, HEX (22373).....	1	
- 11	5802039-502	..CABLE ASSEMBLY.....	1	
	2-331351-1	..CONNECTOR, PLUG, RF, TYPE BNC (02660).....	1	
	RG58A/U	..CABLE, COAXIAL, RF.....	AR	
- 12	0300101-00	..CONNECTOR, RECEPTACLE (22373).....	1	
- 13	090-0019-07	..RING, RETAINER (22373).....	1	
- 14	089-8094-30	..WASHER, FLAT (22373).....	1	
- 15	OK-250	..STRICK-CLAMP, CABLE (22373).....	1	
- 16	047-3898-02	..TRAY, MOUNTING (22373).....	1	
	7AV10707-10	..ANTENNA INSTALLATION, TRANSPONDER.....	RF	
- 17	071-1040-00	..ANTENNA, TRANSPONDER (22373).....	1	
- 18	7F10920-15	..DOUBLER..... (ATTACHING PARTS)	1	
- 19	1671-0410	..RIVET (19733).....	4	
- 20	7AV10708-5	..CABLE ASSEMBLY, ANTENNA.....	1	
	2-331350-1	..CONNECTOR, PLUG, RF, TYPE BNC (02660).....		
	RG58A/U	..CABLE, COAXIAL, RF.....	AR	

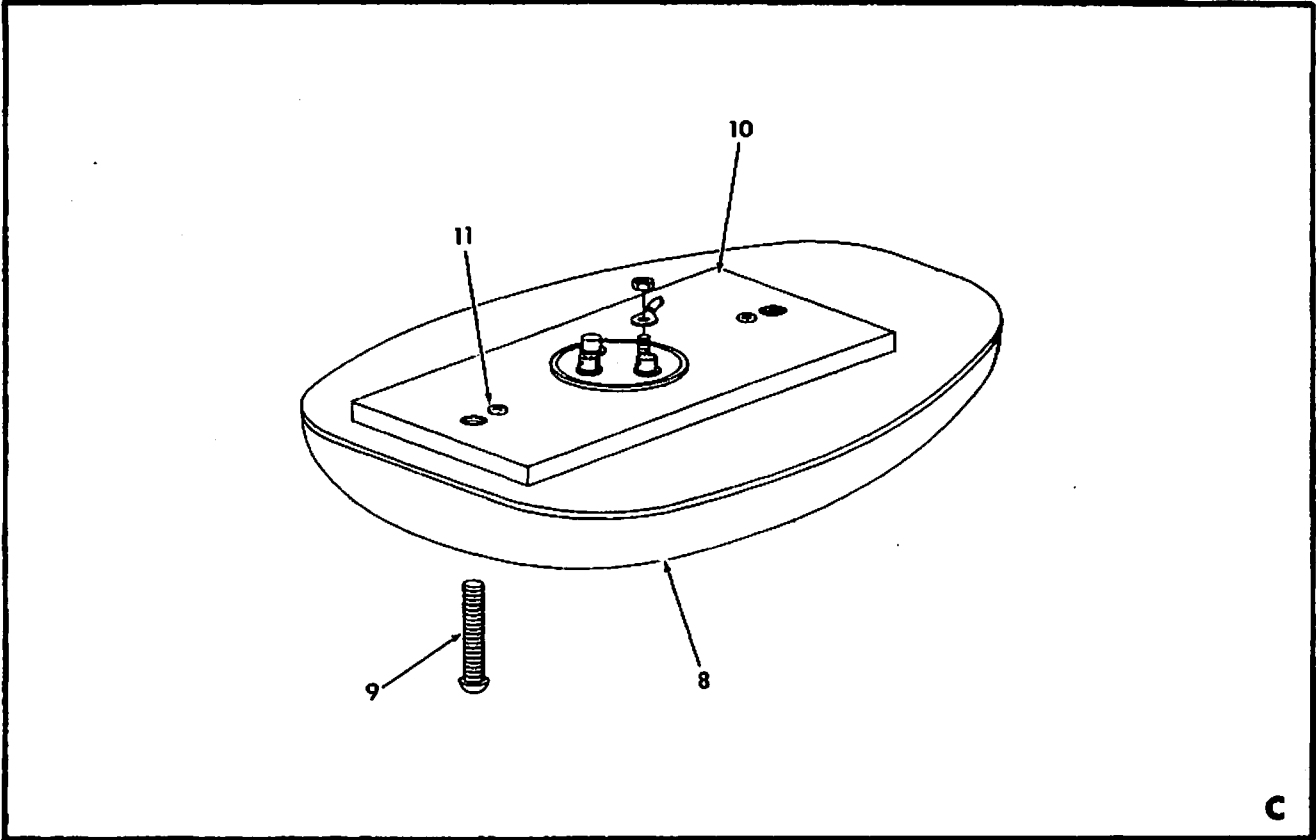
GRUMMAN AMERICAN AVIATION
GA-7/COUGAR
ILLUSTRATED PARTS CATALOG



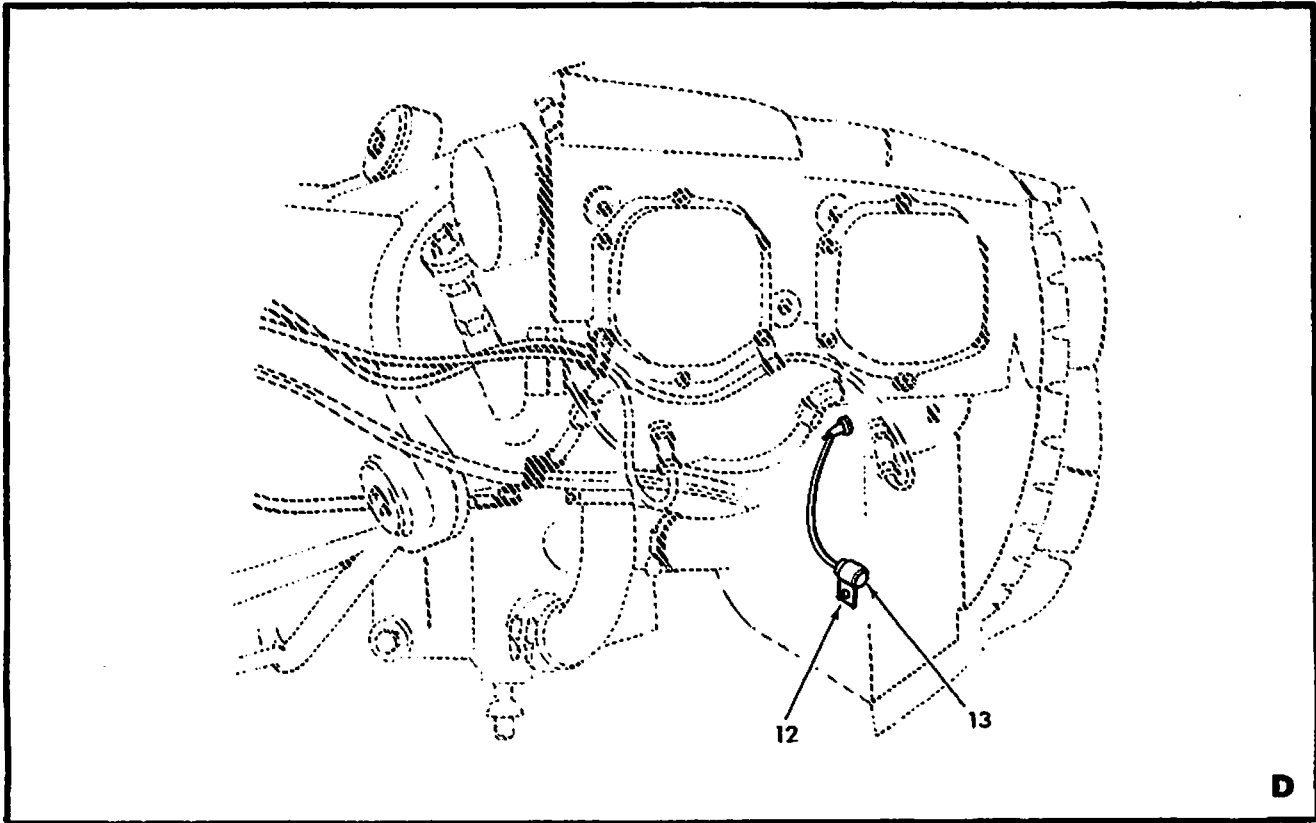
ROTATED 180°

KR85/KI225/KA42B Automatic Direction Finder Installation (Optional)
 Figure 34-27 (Sheet 1 of 2)

GRUMMAN AMERICAN AVIATION
GA-7/COUGAR
ILLUSTRATED PARTS CATALOG



C

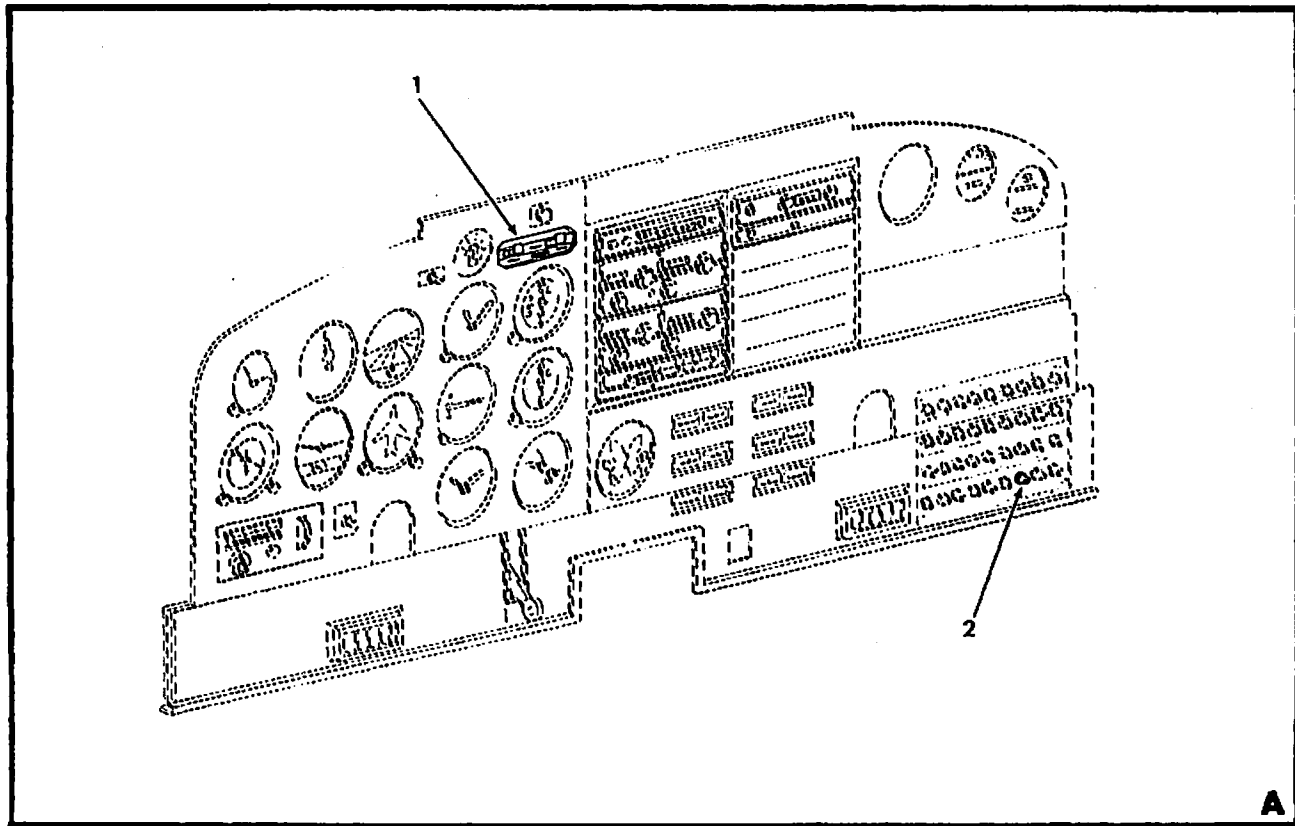
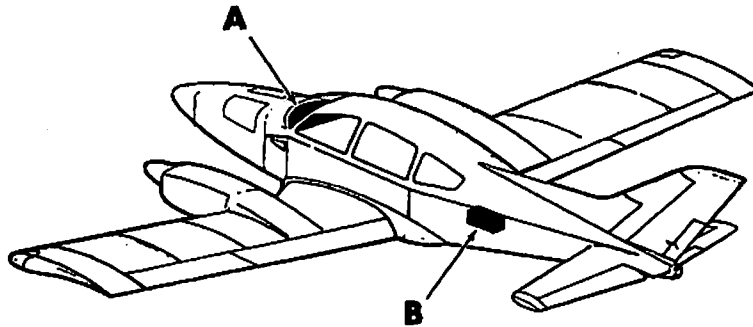


D

KR85/KI225/KA42B Automatic Direction Finder Installation (Optional)
Figure 34-27 (Sheet 2 of 2)

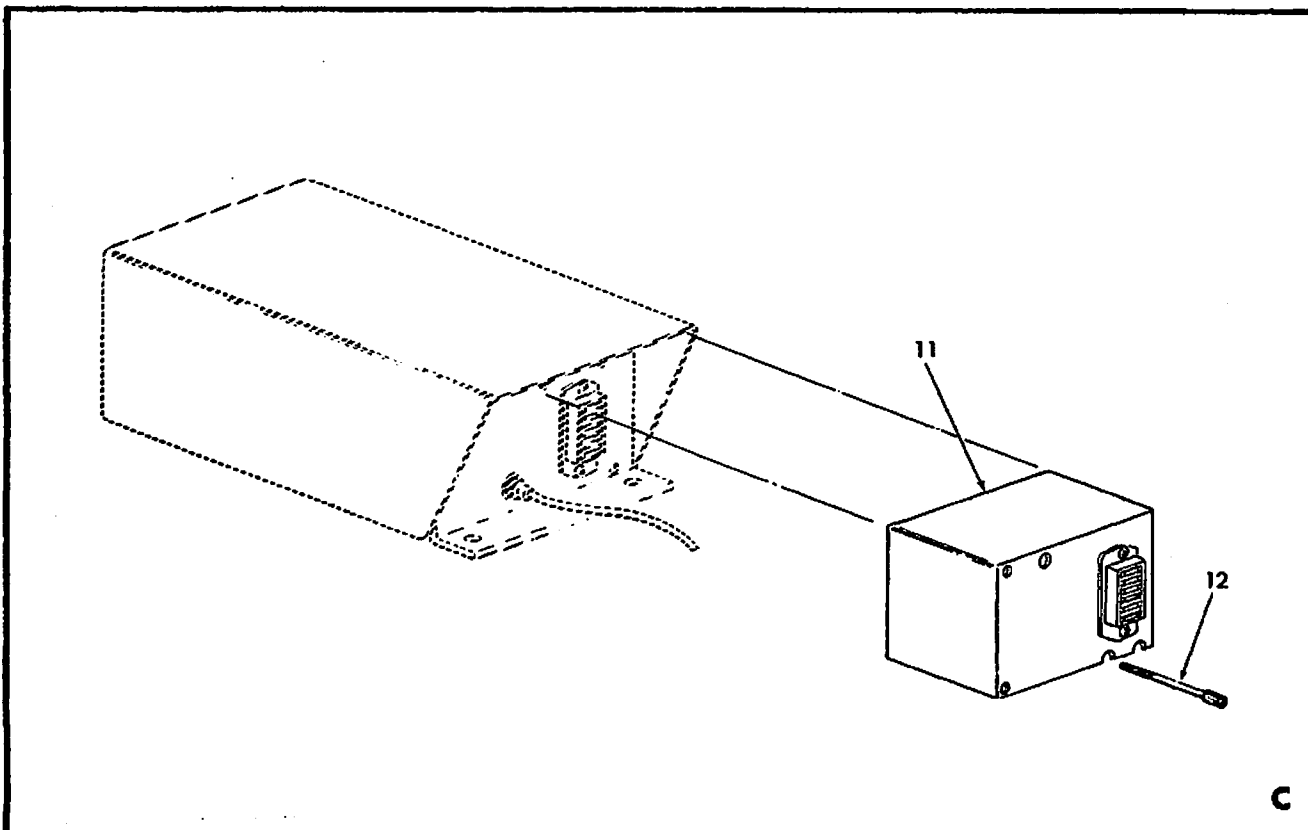
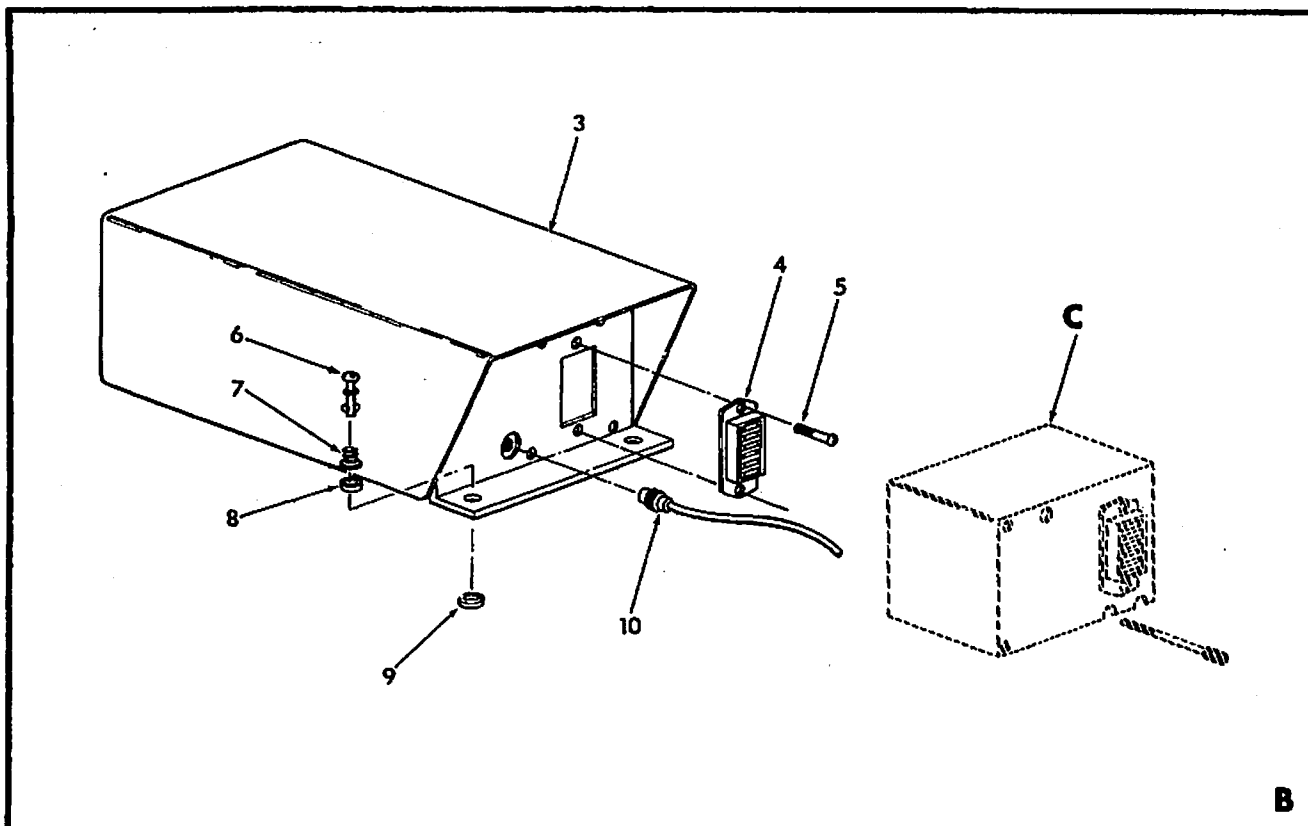
GRUMMAN AMERICAN AVIATION
GA-7/COUGAR
ILLUSTRATED PARTS CATALOG

Figure & Index No.	Part Number	Nomenclature							Units Per Assy	Usable On Code
		1	2	3	4	5	6	7		
34-27 -	7AV13754-1	KR95/KI225/KA42R AUTOMATIC DIRECTION.....							RF	R R R R R R R R R R R R R R R R
- 1	KR95	FINDER INSTALLATION (OPTIONAL) (SEE FIGURE 34-23 FOR NHA)							1	
- 2	MP160015	.RECEIVER, ADF (22373) (OPTIONAL) (REFER TO....							1	
- 3	KI225	KING PARTS MANUAL FOR DETAIL BREAKDOWN) .CIRCUIT BREAKER, 5 AMP (05231).....							1	
- 4	MS21364-39 MS21364-82	.INDICATOR, ADF (22373) REFER TO KING.....							1	
- 5	580235-502	PARTS MANUAL FOR DETAIL BREAKDOWN) (ATTACHING PARTS)							2	
- 6	580235-514	.SCREW, MACHINE.....							2	
- 7	2-331357-1 2059A/U	.NUT.....							1	
- 8	7AV13762-1 071-1133-00	.CASE ASSEMBLY, KR95 ADF RECEIVER (USED.....							1	
- 9	580235-516	WITH KR95/KA42R ANTENNA)							1	
- 10	7AV13762-1	.CABLE ASSEMBLY, ANTENNA, ADF.....							1	
- 11	7AV13762-1	.CONNECTOR, RF (02460).....							1	
- 12	071-1133-00	.CABLE, ANTENNA.....							AP	
- 13	7AV13762-1	.ANTENNA, LOOP AND SENSE, ADF INSTALLATION.....							PF	
- 14	071-1133-00	.KA-42R ANTENNA (22373) (REFER TO KING.....							1	
- 15	125-5666-18	PARTS MANUAL FOR DETAIL BREAKDOWN) (ATTACHING PARTS)							2	
- 16	580235-502	.SCREW, MOUNTING (22373).....							2	
- 17	580235-514	(ATTACHING PARTS)							1	
- 18	1601-2410	.MOUNTING ASSEMBLY, ANTENNA (22373)							1	
- 19	7AV10717-11	.PIVET.....							2	
- 20	A1123	.FILTER, RFI INSTALLATION.....							RF	
- 21	AN3-5	.FILTER ASSEMBLY, RFI (23939).....							2	
- 22	AN963-10	(ATTACHING PARTS)							1	
- 23	MS21366-1732	.BOLT.....							1	
		.WASHER, FLAT.....							1	
		.NUT, SELF-LOCKING.....							1	



KN65A/KI266 DME Receiver and Indicator Installation (Optional)
Figure 34-28 (Sheet 1 of 2)

GRUMMAN AMERICAN AVIATION
GA-7/COUGAR
ILLUSTRATED PARTS CATALOG



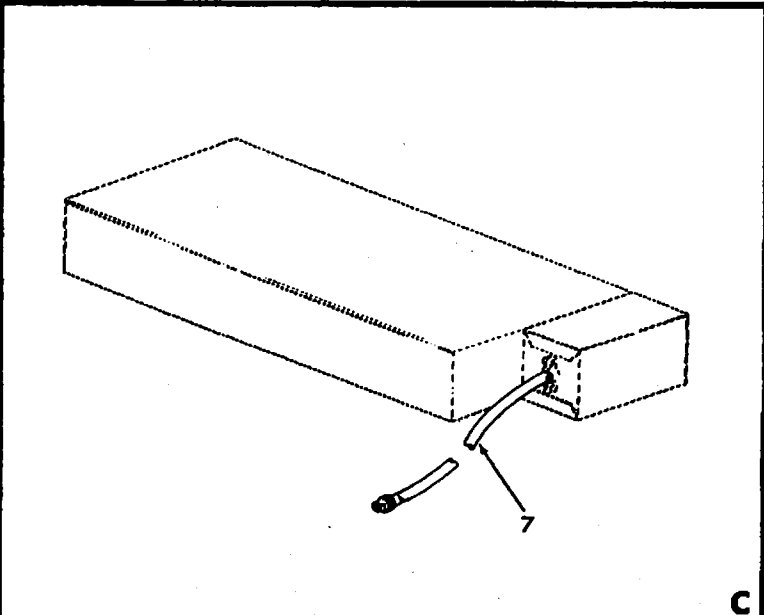
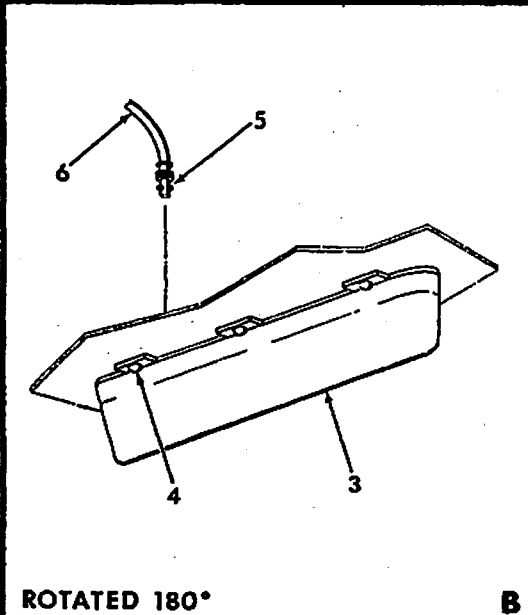
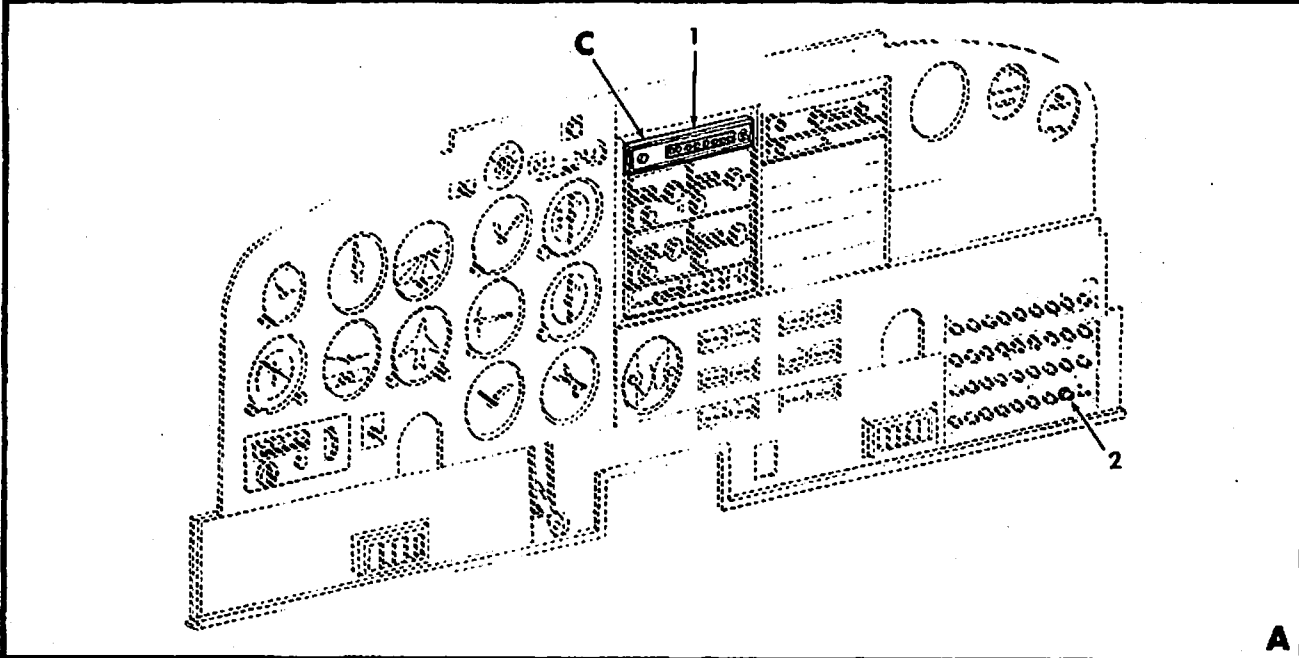
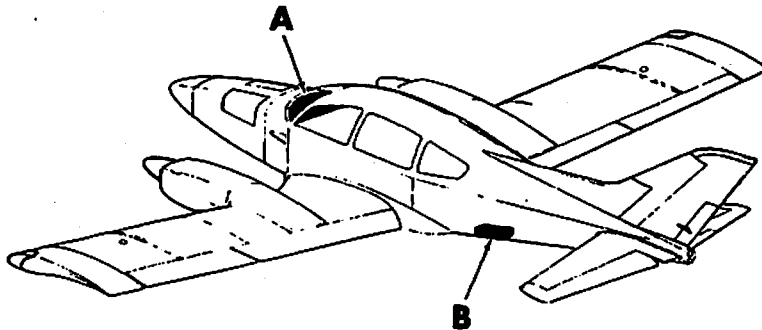
KN65A/KI266 DME Receiver and Indicator Installation (Optional)
 Figure 34-28 (Sheet 2 of 2)

34074-28-2

GRUMMAN AMERICAN AVIATION
GA-7/COUGAR
ILLUSTRATED PARTS CATALOG

Figure & Index No.	Part Number	Nomenclature 1 2 3 4 5 6 7	Units Per Assy	Usable On Code
34-28 -	7AV10755-1	KN65A/KI266 DME RECEIVER AND INDICATOR..... INSTALLATION (OPTIONAL) (SEE FIGURE 34-23 FOR NHA)	RF	
- 1	066-3047-00	.INDICATOR, KI266 DME (22373) (REFER TO..... KING PARTS MANUAL FOR DETAIL BREAKDOWN (ATTACHING PARTS)	1	
	4-40FH	.SCREW, MACHINE.....	4	
- 2	MP1600T5	.CIRCUIT BREAKER, 5 AMP (05231).....	1	
- 3	066-1029-03	.RECEIVER, KN65A DME, (REMOVF) (22373)..... (REFER TO KING PARTS MANUAL FOR DETAIL BREAKDOWN)	1	
- 4	200-0267-00	.CONNECTOR ASSEMBLY (22373).....	1	
- 5	089-5899-05 089-2136-00	.SCREW, MACHINE (22373)..... .NUT (22373).....	2 2	
- 6	092-0027-10	.FASTENER (22373).....	2	
- 7	092-0027-03	.SPRING (22373).....	2	
- 8	092-0027-12	.WASHER, WEAR (22373).....	2	
- 9	092-0027-01	.RETAINER (22373).....	2	
- 10	7AV10760-2 R2-5375	.CABLE ASSEMBLY..... .PLUG STRAIGHT (17105).....	1 1	
- 11	RC58A/U KA-5R	.CABLE, COAXIAL, RF..... .ADAPTER, DME HOLD (22373) (OPTIONAL..... (USED WITH KN65A DME RECEIVER) (ATTACHING PARTS)	AR 1	
- 12	076-0792-00	.SCREW, MOUNTING (22373).....	3	
	AV10707-4	.ANTENNA INSTALLATION, DME.....	RF	
	071-1020-00	.ANTENNA, KA32 (22373) (ANTENNA AND..... ATTACHING HARDWARE SUPPLIED WITH KN65A RECEIVER)	1	

GRUMMAN AMERICAN AVIATION
GA-7/COUGAR
ILLUSTRATED PARTS CATALOG



KMA20 Audio/Marker Control Panel Installation (Optional)
Figure 34-29

34G74-29

GRUMMAN AMERICAN AVIATION
GA-7/COUGAR
ILLUSTRATED PARTS CATALOG

Figure & Index No.	Part Number	Nomenclature							Units Per Assy	Usable On Code
		1	2	3	4	5	6	7		
34-29 -	7AV10761-1	KMA20 AUDIO/MARKER CONTROL PANEL, KING.....							RF	
		INSTALLATION (OPTIONAL) (SEE FIGURE 34-23								
		FOR MHA)								
- 1	066-1724-03	.AUDIO/MARKER CONTROL PANEL (22373) (REFER.....							1	
		TO KING PARTS MANUAL FOR DETAIL BREAKDOWN								
- 2	MP163DT5	.CIRCUIT BREAKER, 5 AMP (05231).....							1	
	7AV10707-7	.ANTENNA INSTALLATION, MARKER/BEACON.....							RF	
- 3	DMN43-3	..ANTENNA, MARKER/BEACON (85226).....							1	
		(ATTACHING PARTS)								
- 4	1601-0512	..RIVET (19738).....							6	

	7AV10708-7	.CABLE ASSEMBLY, ANTENNA, MARKER/BEACON.....							1	
- 5	2-331350-1	..CONNECTOR, PLUG, RF, TYPE RNC (02660).....							1	
- 6	RG594/U	..CABLE, COAXIAL, RF, 50 OHM.....							AR	
- 7	5802338-513	.CABLE ASSEMBLY, AUDIO/MARKER PANEL.....							1	

SECRET
REF ID: A66044
CONFIDENTIAL SECURITY INFORMATION

Name	Grade	Status
[Illegible Name]	[Illegible Grade]	[Illegible Status]
[Illegible Name]	[Illegible Grade]	[Illegible Status]
[Illegible Name]	[Illegible Grade]	[Illegible Status]
[Illegible Name]	[Illegible Grade]	[Illegible Status]
[Illegible Name]	[Illegible Grade]	[Illegible Status]
[Illegible Name]	[Illegible Grade]	[Illegible Status]
[Illegible Name]	[Illegible Grade]	[Illegible Status]
[Illegible Name]	[Illegible Grade]	[Illegible Status]
[Illegible Name]	[Illegible Grade]	[Illegible Status]
[Illegible Name]	[Illegible Grade]	[Illegible Status]
[Illegible Name]	[Illegible Grade]	[Illegible Status]
[Illegible Name]	[Illegible Grade]	[Illegible Status]
[Illegible Name]	[Illegible Grade]	[Illegible Status]
[Illegible Name]	[Illegible Grade]	[Illegible Status]
[Illegible Name]	[Illegible Grade]	[Illegible Status]
[Illegible Name]	[Illegible Grade]	[Illegible Status]
[Illegible Name]	[Illegible Grade]	[Illegible Status]
[Illegible Name]	[Illegible Grade]	[Illegible Status]
[Illegible Name]	[Illegible Grade]	[Illegible Status]



GRUMMAN AMERICAN AVIATION

**GA-7/COUGAR
ILLUSTRATED PARTS CATALOG**

CHAPTER 37

VACUUM

To be furnished at a later date when system becomes effective.

GRUMMAN AMERICAN AVIATION
GA-7/COUGAR
ILLUSTRATED PARTS CATALOG

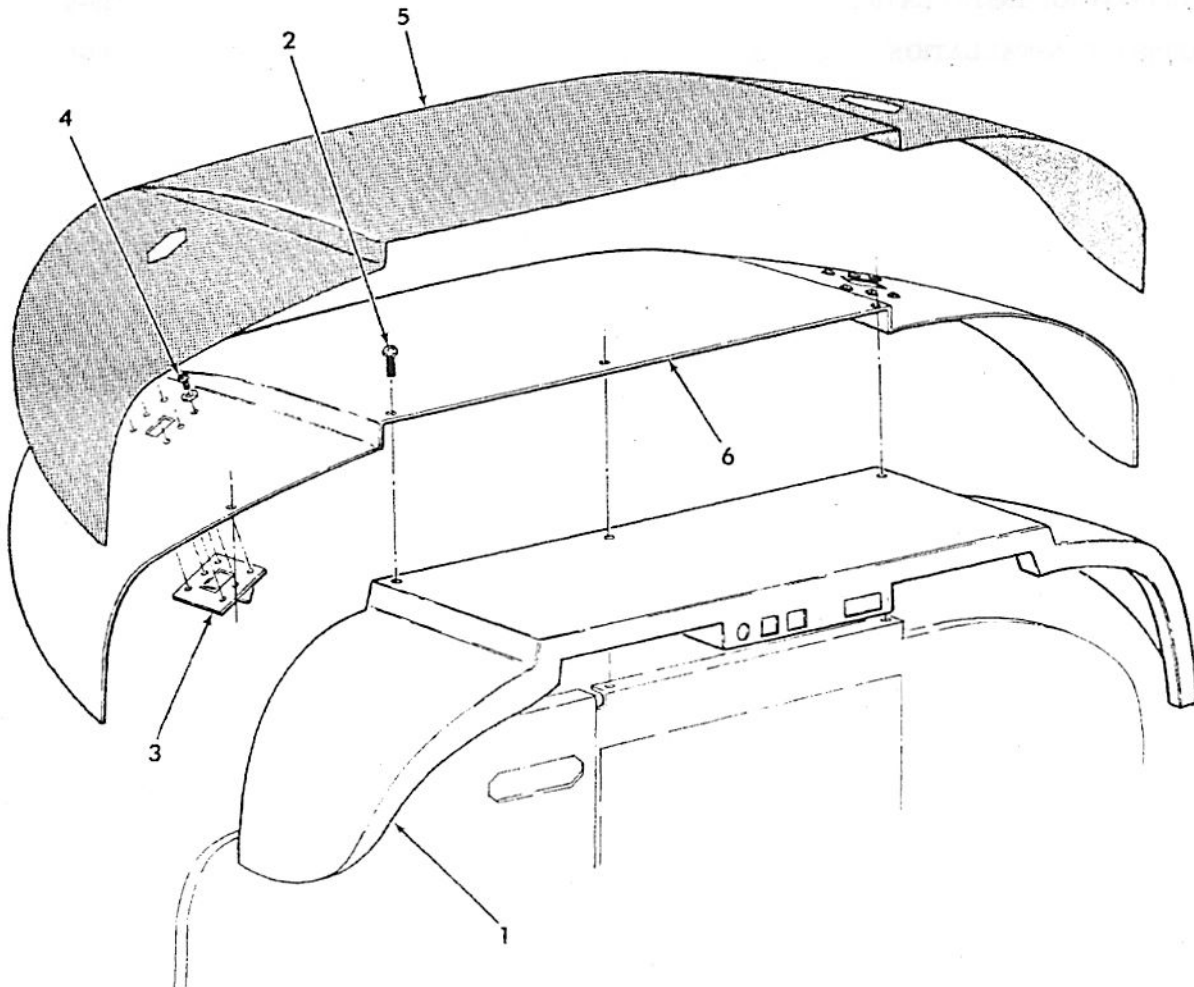
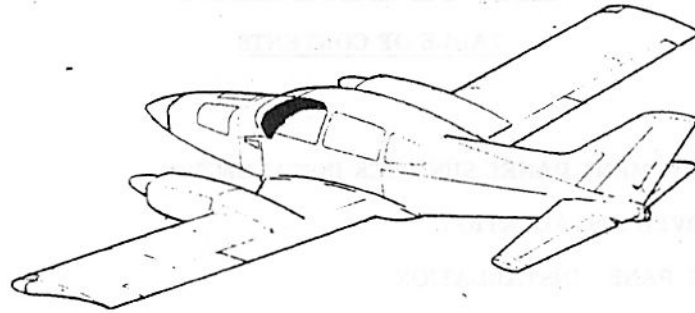
CHAPTER 39

ELECTRICAL/ELECTRONIC PANELS AND
MULTI PURPOSE COMPONENTS

TABLE OF CONTENTS

<u>SUBJECT</u>	<u>FIGURE NUMBER</u>
GLARESHIELD AND INSTRUMENT PANEL SUN DECK INSTALLATION	39-1
INSTRUMENT PANEL COVER INSTALLATION	39-2
STANDARD INSTRUMENT PANEL INSTALLATION	39-3
CONTROL CONSOLE INSTALLATION	39-4
ENGINE CONTROL INSTALLATION	39-5
AFT CONSOLE INSTALLATION	39-6

GRUMMAN AMERICAN AVIATION
GA-7/COUGAR
ILLUSTRATED PARTS CATALOG



Glareshield and Instrument Panel Sun Deck Installation
Figure 39-1

39G74-01

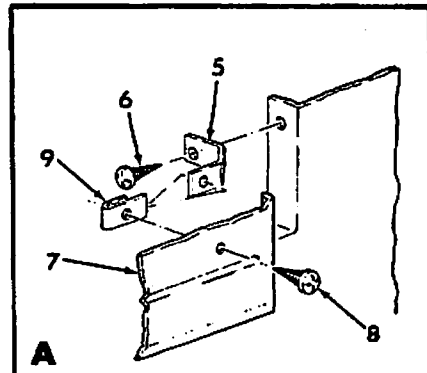
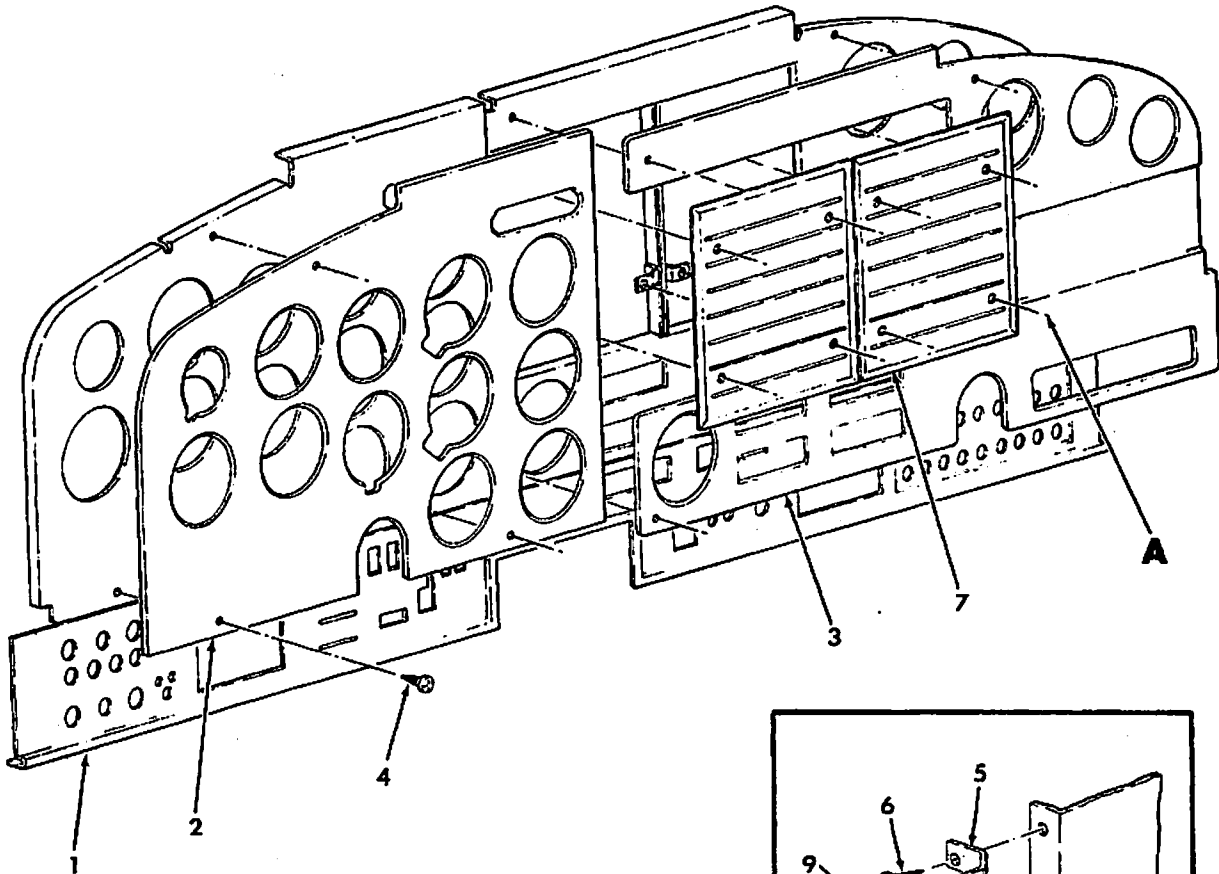
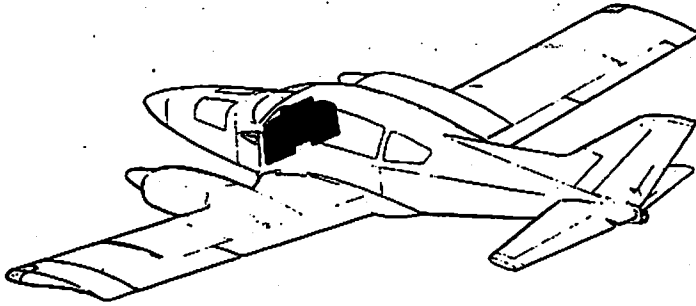
GRUMMAN AMERICAN AVIATION
GA-7/COUGAR
ILLUSTRATED PARTS CATALOG

Figure & Index No.	Part Number	Nomenclature							Units Per Assy	Usable On Code
		1	2	3	4	5	6	7		
39- 1 -	7F10151-1	GLARESHIELD AND INSTRUMENT PANEL SUN DECK.....							NP	
- 1	7FP10029-1	INSTALLATION								
	7F10151-3	.GLARESHIELD ASSEMBLY (REFER TO CHAPTER 33.....							1	
		FOR BREAKDOWN)								
- 2	MS35207-263	.SUN DECK ASSEMBLY.....							1	
		(ATTACHING PARTS)								
- 3	7FP10036-1	.SCREW.....							3	

- 4	GAES1022Z6	.DEFROSTER OUTLET ASSEMBLY.....							2	
	A3236-012	(ATTACHING PARTS)								
	A1181-6Z-1	.SCREW.....							6	
		.WASHER (78553).....							6	
		.NUT (78553).....							6	

- 5	7F10151-13	.FABRIC.....							1	
- 6	7F10151-11	.DECK.....							1	

GRUMMAN AMERICAN AVIATION
GA-7/COUGAR
ILLUSTRATED PARTS CATALOG



Instrument Panel Cover Installation
Figure 39-2

39G74-02

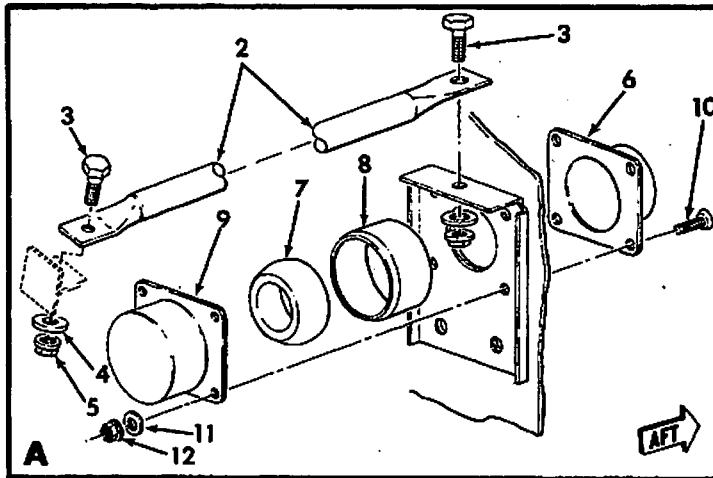
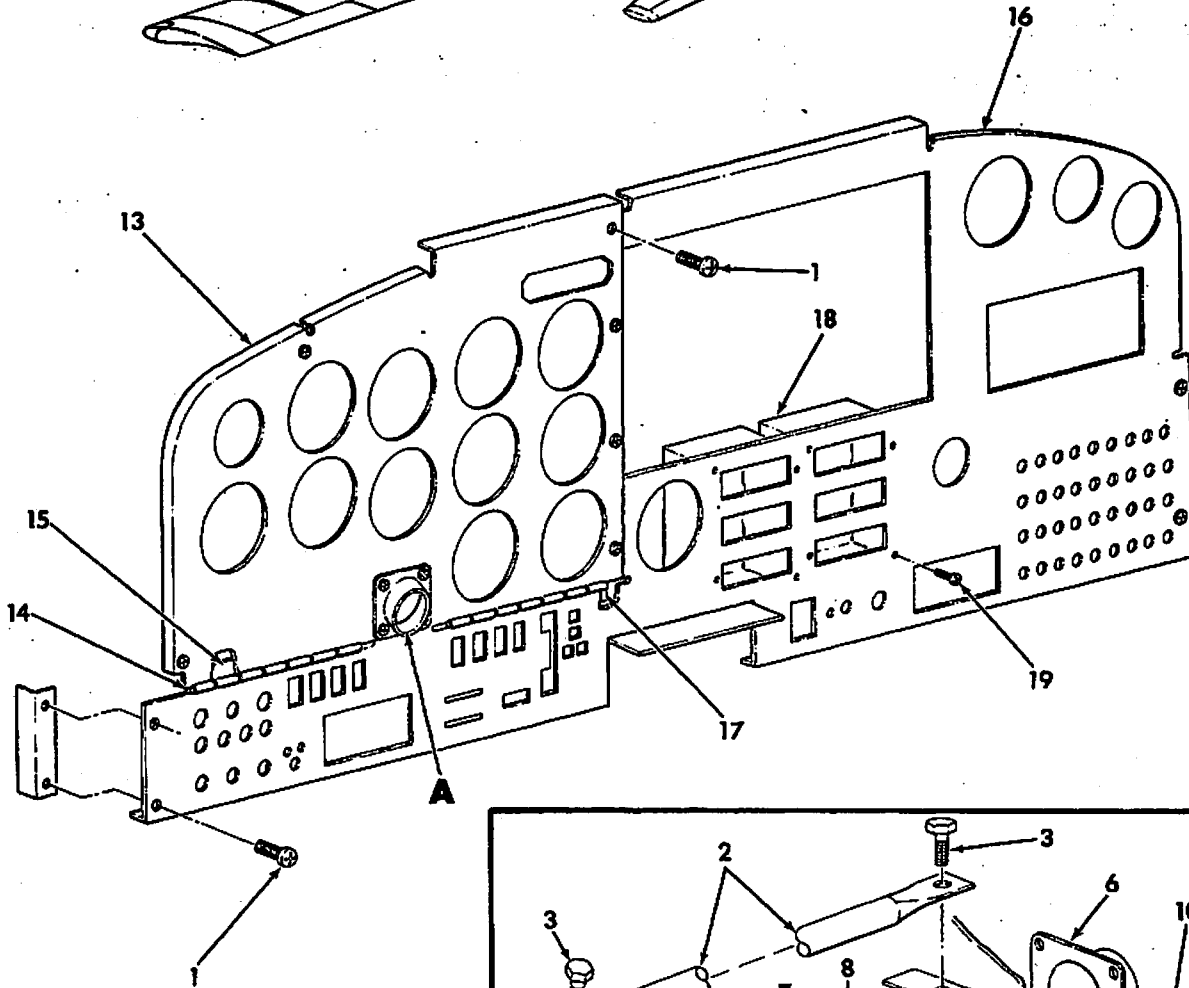
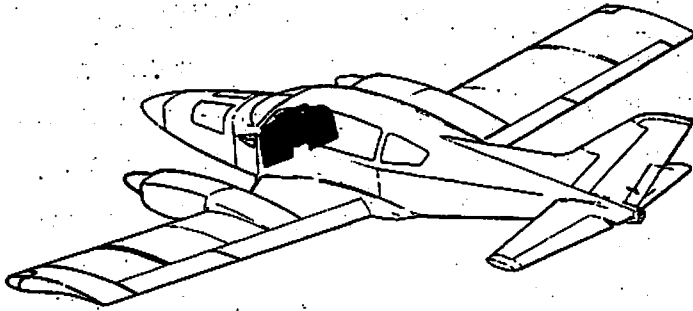
GRUMMAN AMERICAN AVIATION

GA-7/COUGAR

ILLUSTRATED PARTS CATALOG

Figure & Index No.	Part Number	Nomenclature							Units Per Assy	Usable On Code
		1	2	3	4	5	6	7		
39- 2 -	7FP10030-1	INSTRUMENT PANEL COVER INSTALLATION (SEE..... FIGURE 39-4 FOR NHA)							NP	
- 1	7FP10030-19	.COVER, LOWER.....							1	
- 2	7FP10030-11	.COVER, LEFT.....							1	
- 3	7FP10030-21	.COVER, RIGHT.....							1	
- 4	GAES1021Z6-68	[ATTACHING PARTS FOR ITEMS 2 AND 3] .SCREW.....							6	
- 5	7F10131-25	.CLIP..... (ATTACHING PARTS)							8	
- 6	GAES1021Z6-48	.SCREW.....							1	
- 7	7FP10030-17	.COVER, RADIO..... (ATTACHING PARTS)							2	
- 8	GAFS1021Z6-68	.SCREW.....							4	
- 9	NAS395-2-3	.NUT, CL IP.....							4	

GRUMMAN AMERICAN AVIATION
GA-7/COUGAR
ILLUSTRATED PARTS CATALOG



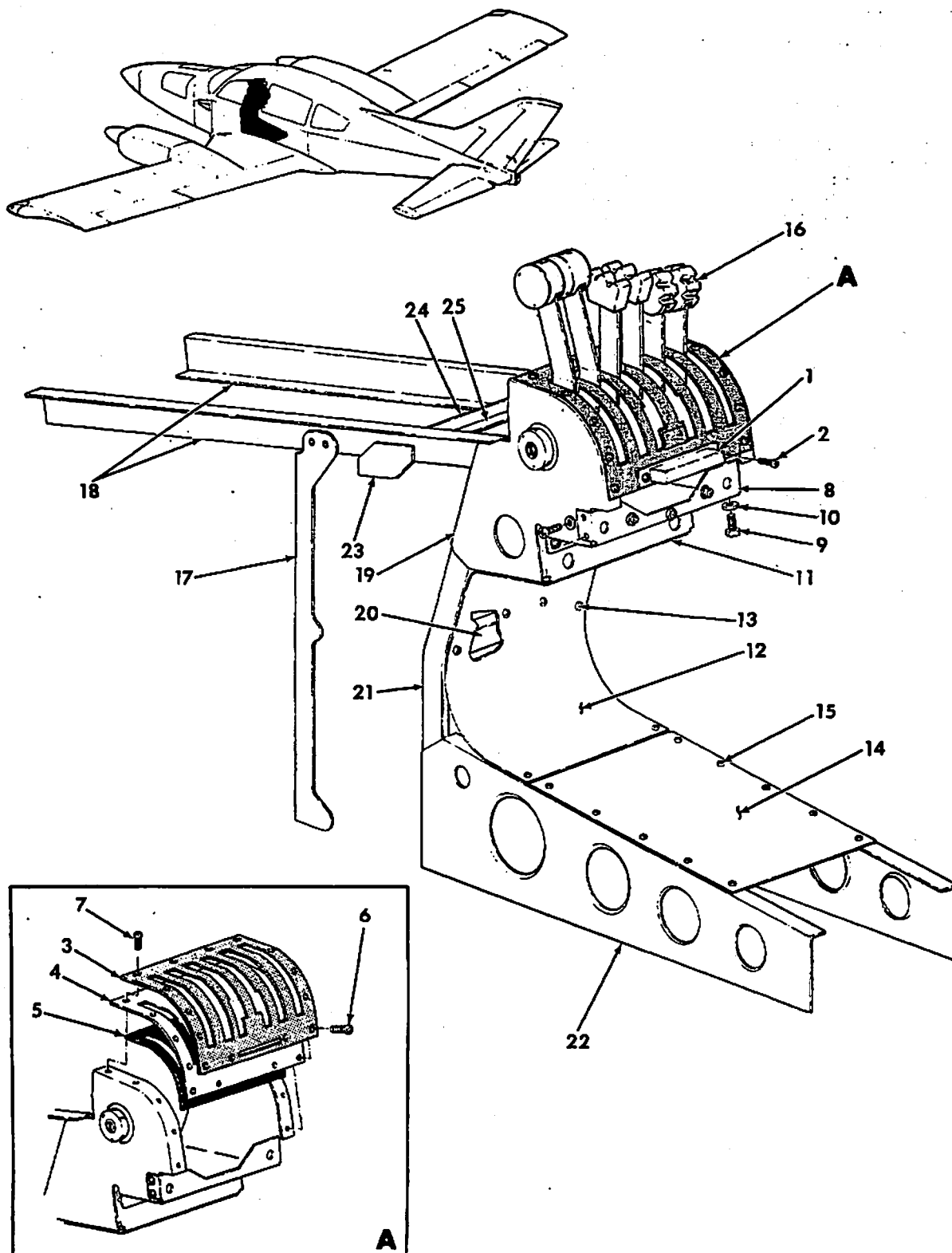
Standard Instrument Panel Installation
 Figure 39-3

39G74-03

GRUMMAN AMERICAN AVIATION
GA-7/COUGAR
ILLUSTRATED PARTS CATALOG

Figure & Index No.	Part Number	Nomenclature	Units Per Assy	Usable On Code
39- 3 -	7F10100-5	STANDARD INSTRUMENT PANEL INSTALLATION..... (REFER TO CHAPTER 53 FOR ADDITIONAL BREAKDOWN)	NP	
	7F10100-7	.PANEL ASSEMBLY, STANDARD INSTRUMENT..... (ATTACHING PARTS)	1	
- 1	MS35207-262	.SCREW.....	9	
- 2	7F10130-1	.SUPPORT ASSEMBLY.....	1	
- 3	AN4-5A	.BOLT.....	2	
- 4	AN960-416	.WASHER.....	2	
- 5	MS21042-4	.NUT.....	2	
- 6	7C10253-11	.LOCK, SLEEVE CONTROL.....	1	
- 7	7C10251-13	.RING, INNER.....	1	
- 8	7C10251-11	.RING, OUTER.....	1	
- 9	7C10252-11	.CUP, CONTROL WHEEL.....	1	
- 10	MS24693-551	.SCREW.....	4	
- 11	AN960-8	.WASHER.....	4	
- 12	MS20365-832	.NUT.....	4	
- 13	7F10100-11	.PANEL..... (ATTACHING PARTS)	1	
- 14	7F10100-35	.PIN, HINGE.....	2	
- 15	7F10100-33	.HINGE HALF.....	2	
- 16	7F10100-13	.PANEL.....	1	
- 17	7F10100-33	.HINGE HALF.....	2	
- 18	0021-0110 0015-00723 7F10101-A3-911	.CASE, INSTRUMENT CLUSTER (09393)..... .GASKET..... .LENS..... (ATTACHING PARTS)	2 2 2	
- 19	MS35214-29 MS20364-832	.SCREW..... .NUT.....	4 4	
	7F10100-43 7F10100-45	OPTIONAL INSTRUMENT PANEL INSTALLATION..... .PANEL ASSEMBLY, OPTIONAL INSTRUMENT (SAME AS..... 7F10100-7 EXCEPT ITEMS 6 THRU 12 USED ON RIGHT SIDE ALSO)	NP 1	

GRUMMAN AMERICAN AVIATION
GA-7/COUGAR
ILLUSTRATED PARTS CATALOG



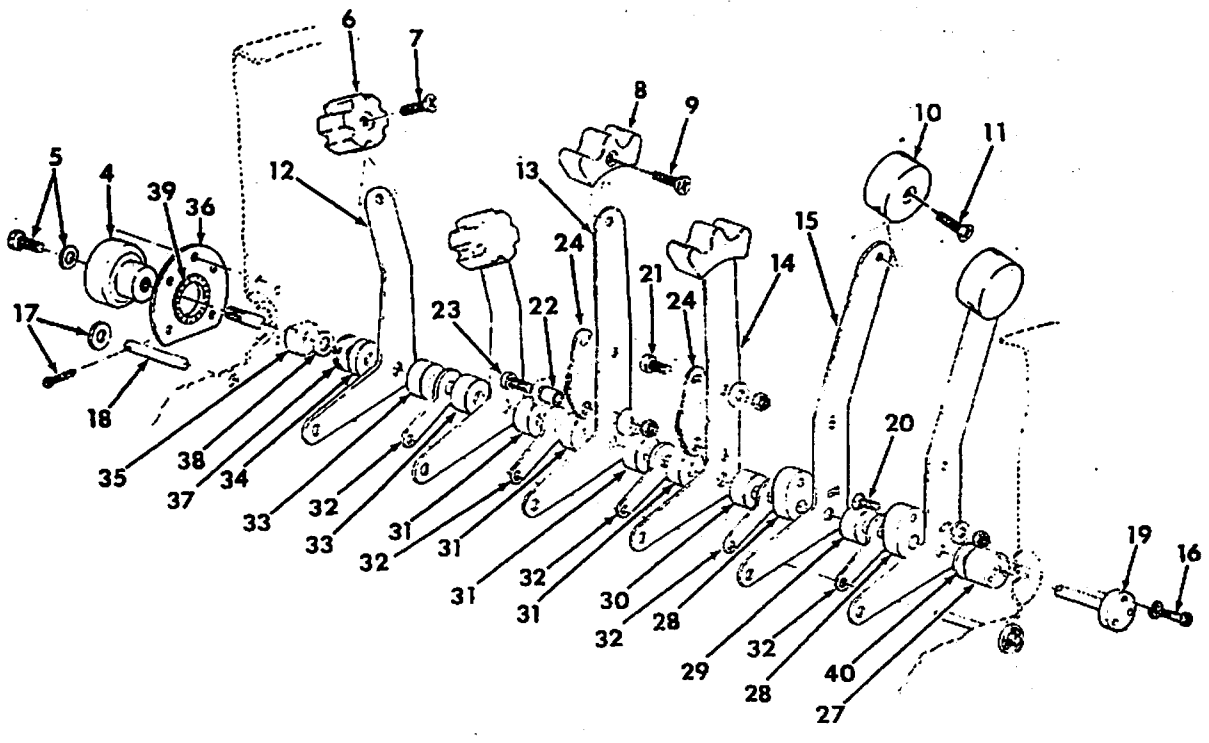
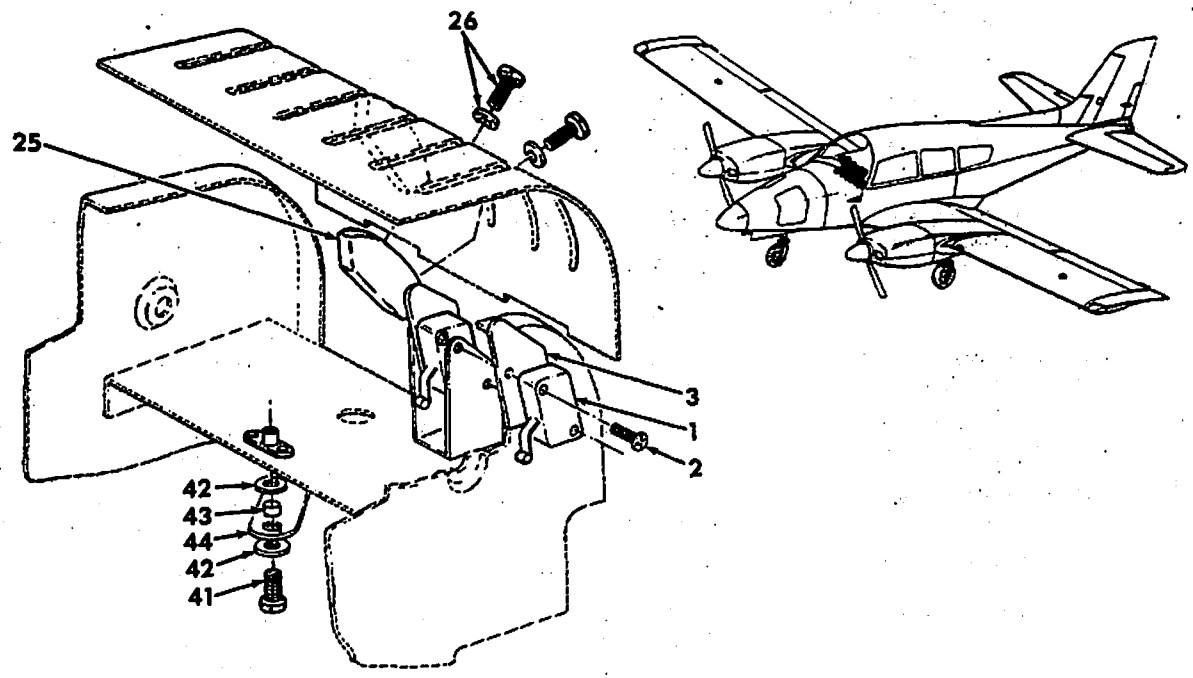
Control Console Installation
 Figure 39-4

39G74-04

GRUMMAN AMERICAN AVIATION
GA-7/COUGAR
ILLUSTRATED PARTS CATALOG

Figure & Index No.	Part Number	Nomenclature 1 2 3 4 5 6 7	Units Per Assy	Usable On Code
39- 4 -	7F10301-1	CONTROL CONSOLE INSTALLATION.....	NP	
- 1	7FP10330-11	.COVER..... (ATTACHING PARTS)	1	
- 2	NAS385-4-6	.SCREW.....	2	
- 3	7F10039-13	.DECAL; QUADRANT (REFER TO CHAPTER 11 FOR..... DECAL DETAILS)	1	
- 4	7F10311-21	.COVER.....	1	
- 5	7F10034-13	.SEAL..... (ATTACHING PARTS FOR ITEMS 2 THRU 5)	1	
- 6	MS35206-227	.SCREW.....	8	
	A8098-632-3	.NUT (78553).....	8	
- 7	MS35207-261	.SCREW.....	4	
- 8	7F10311-19	.COVER..... (ATTACHING PARTS)	1	
- 9	MS35206-243	.SCREW.....	12	
- 10	AN960PD8	.WASHER.....	12	
- 11	7F10327-15	.BRACKET.....	1	
- 12	7F10311-15	.COVER..... (ATTACHING PARTS)	1	
- 13	MS35206-227	.SCREW.....	10	
	A8098-632-3	.NUT (78553).....	10	
- 14	7F10311-17	.COVER..... (ATTACHING PARTS)	1	
- 15	MS35206-227	.SCREW.....	10	
	A8098-632-3	.NUT (78553).....	10	
- 16	7F10300-1	.ENGINE CONTRLS INSTALLATION (SEE FIGURE..... 39-5 FOR DETAIL BREAKDOWN)	NP	
- 17	7F10310-15	.ANGLE (LH).....	1	
	7F10310-16	.ANGLE (RH).....	1	
- 18	7F10327-11	.SUPPORT, ZEE.....	2	
- 19	7F10310-13	.PANEL (LH).....	1	
	7F10310-14	.PANEL (RH).....	1	
- 20	7F10324-1	.BRACKET ASSEMBLY.....	1	
- 21	7F10312-11	.BRACKET (LH).....	1	
	7F10312-12	.BRACKET (RH).....	1	
- 22	7F10310-11	.PANEL.....	1	
	7F10310-12	.PANFL.....	1	
- 23	7F10310-17	.PLATE.....	2	
- 24	7F10327-17	.BRACKET.....	1	
- 25	7F10301-15	.ANGLE.....	1	

GRUMMAN AMERICAN AVIATION
GA-7/COUGAR
ILLUSTRATED PARTS CATALOG



Engine Controls Installation
 Figure 39-5

38G74-Q8

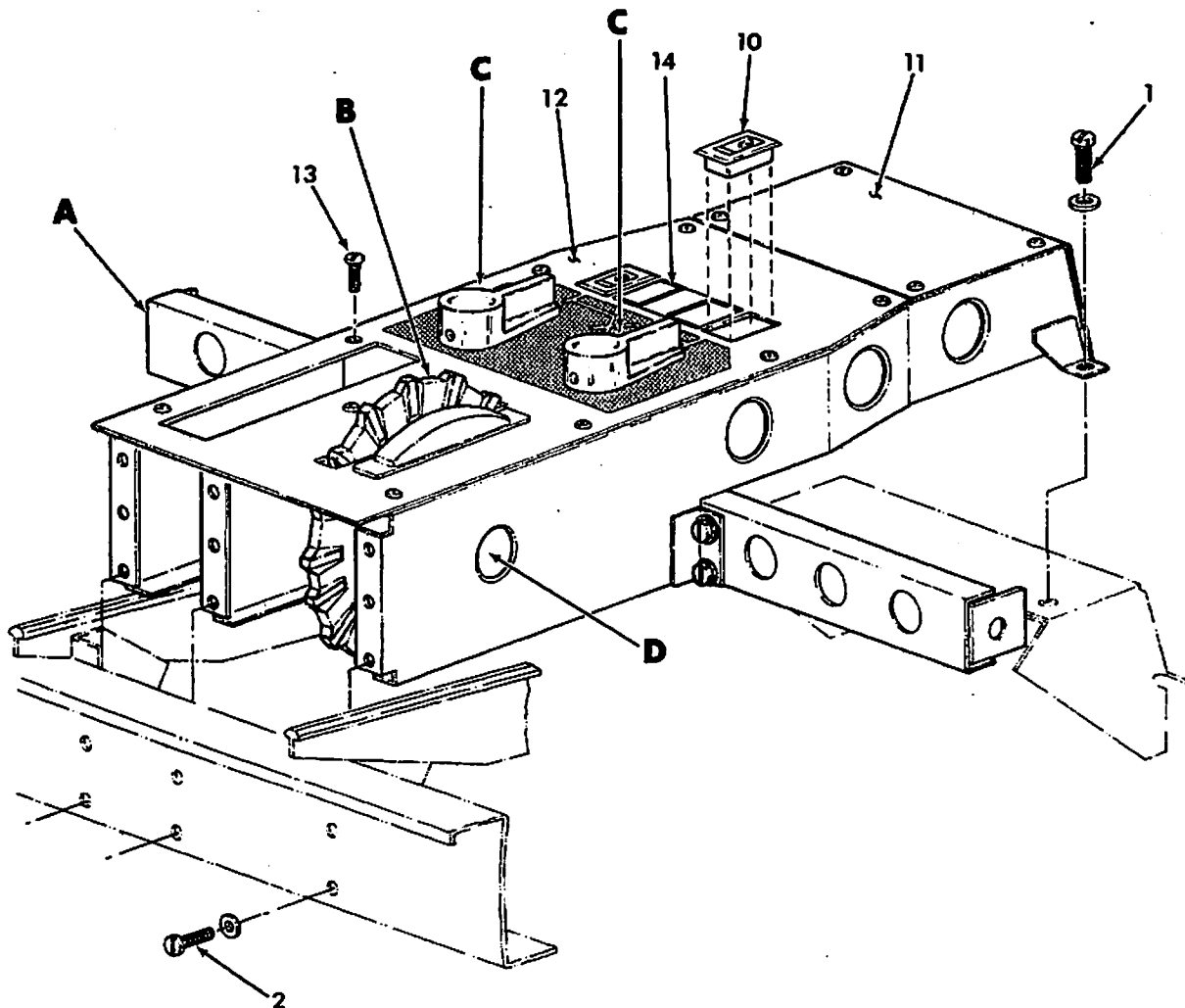
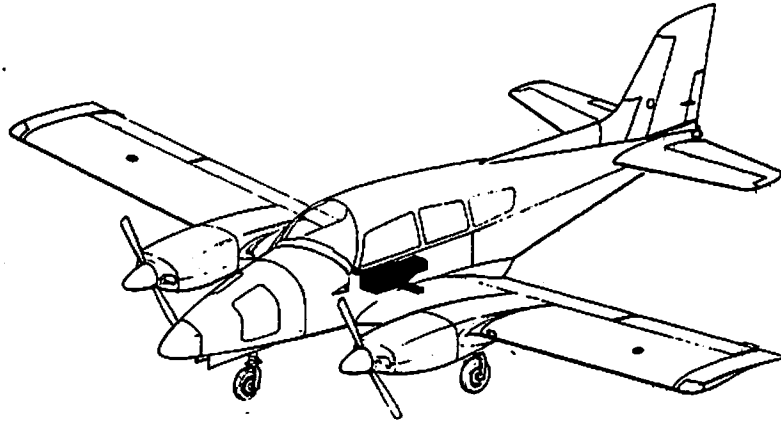
GRUMMAN AMERICAN AVIATION
GA-7/COUGAR
ILLUSTRATED PARTS CATALOG

Figure & Index No.	Part Number	Nomenclature							Units Per Assy	Usable On Code
		1	2	3	4	5	6	7		
39- 5 -	7F10300-1	ENGINE CONTROLS INSTALLATION (SEE FIGURE.....							NP	
- 1	V3L-3-D9	.SWITCH (91929).....							2	
- 2	MS35206-217	.SCREW, MACHINE.....							2	
	MS21042-04	.NUT, SELF-LOCKING.....							2	
- 3	7F10700-21	.INSULATOR.....							2	
- 4	269-5/16-24	.KNOB (80813).....							1	
- 5	MS35206-228	.SCREW, MACHINE.....							1	
	AN960-6L	.WASHER, FLAT.....							1	
- 6	7FP10322-3	.KNOB.....							2	
- 7	MS24627-35	.SCREW, MACHINE.....							1	
- 8	7FP10322-5	.KNOB.....							2	
- 9	MS24627-35	.SCREW, MACHINE.....							1	
- 10	7FP10322-1	.KNOB.....							2	
- 11	MS24627-35	.SCREW, MACHINE.....							1	
- 12	7F10314-11	.LEVER.....							2	
- 13	7F10314-14	.LEVER.....							1	
- 14	7F10314-13	.LEVER.....							1	
- 15	7F10314-15	.LEVER.....							2	
- 16	MS35206-230	.SCREW, MACHINE.....							3	
	AN935-6L	.WASHER, LOCK.....							3	
- 17	AN960-10L	.WASHER, FLAT.....							2	
	MS24665-151	.PIN, COTTER.....							2	
- 18	7FM10321-13	.ROD.....							1	
- 19	7FM10321-1	.SHAFT ASSEMBLY.....							1	
- 20	MS24693-832	.SCREW, MACHINE.....							2	
	AN960-8	.WASHER, FLAT.....							2	
- 21	MS20364-832	.NUT, SELF-LOCKING.....							2	
	MS35273-42	.SCREW, MACHINE.....							2	
	MS35333-72	.WASHER, LOCK.....							2	
	MS24679-22	.NUT, SELF-LOCKING.....							2	
- 22	NAS43001-11	.SPACER.....							2	
- 23	MS35206-228	.SCREW, MACHINE.....							2	
	AN960-6	.WASHER, FLAT.....							4	
	MS21042-06	.NUT, SELF-LOCKING.....							2	
- 24	7FM10321-3	.STOP ASSEMBLY.....							2	
- 25	7FM10321-39	.CAM.....							2	
- 26	MS35215-24	.SCREW, MACHINE.....							2	
	MS35333-71	.WASHER, LOCK.....							2	
- 27	7FM10321-43	.RETAINER.....							1	
- 28	7FM10321-41	.CAM.....							2	
- 29	7FM10321-11	.SPACER.....							1	
- 30	7FM10321-15	.SPACER.....							1	
- 31	7FM10321-17	.SPACER.....							4	
- 32	7FM10321-35	.SPACER.....							5	
- 33	7FM10321-19	.SPACER.....							2	
- 34	7FM10321-21	.SPACER.....							1	

GRUMMAN AMERICAN AVIATION
GA-7/COUGAR
ILLUSTRATED PARTS CATALOG

Figure & Index No.	Part Number	Nomenclature							Units Per Assy	Usable On Code
		1	2	3	4	5	6	7		
39- 5 - 35	7FM10321-23	.SPACER.....							1	
- 36	7FM10321-39	.PLATE.....							1	
- 37	B0625-022	.WASHER, SPRING (27745).....							2	
- 38	AN960-516L	.WASHER, FLAT.....							1	
- 39	MS21266-2N	.GROMMET.....							1	
- 40	7FM10321-37	.SPACER.....							1	
- 41	MS35206-228	.SCREW, MACHINE.....							1	
- 42	AN960C6L	.WASHER, FLAT.....							2	
- 43	NAS43HT1-5	.SPACER.....							1	
- 44	7F10333-1	.BRACKET, TRIM INDICATOR.....							1	

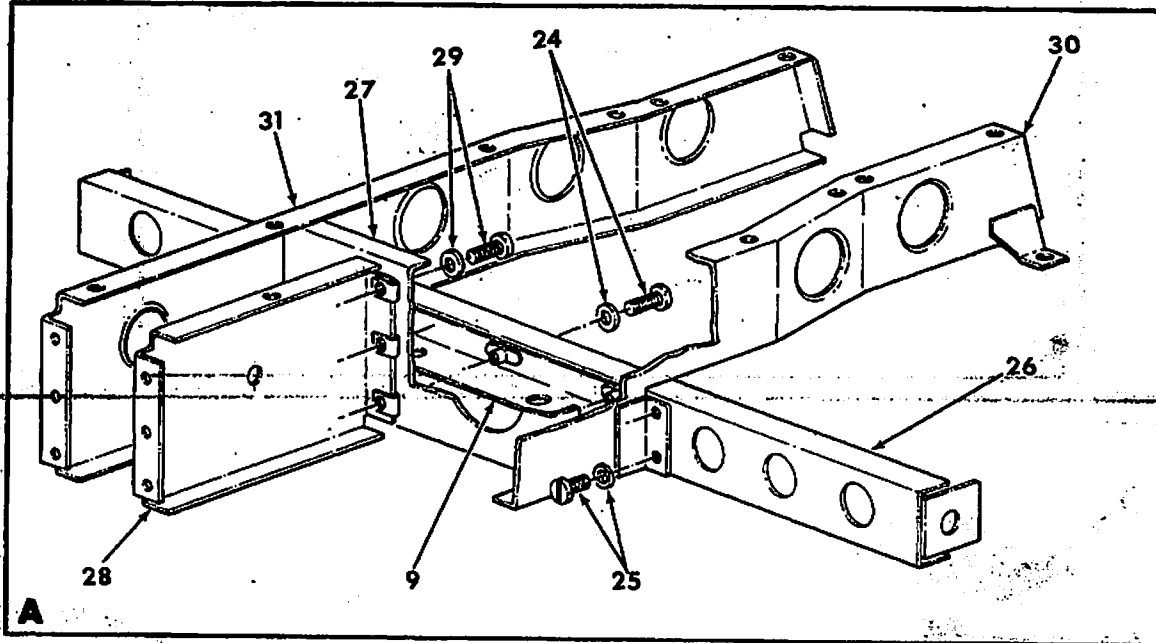
GRUMMAN AMERICAN AVIATION
GA-7/COUGAR
ILLUSTRATED PARTS CATALOG



Aft Console Installation
Figure 39-6 (Sheet 1 of 3)

39G74-08-1

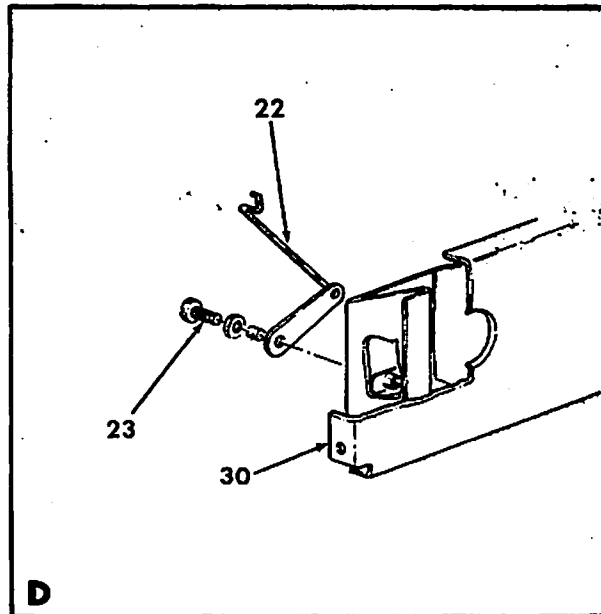
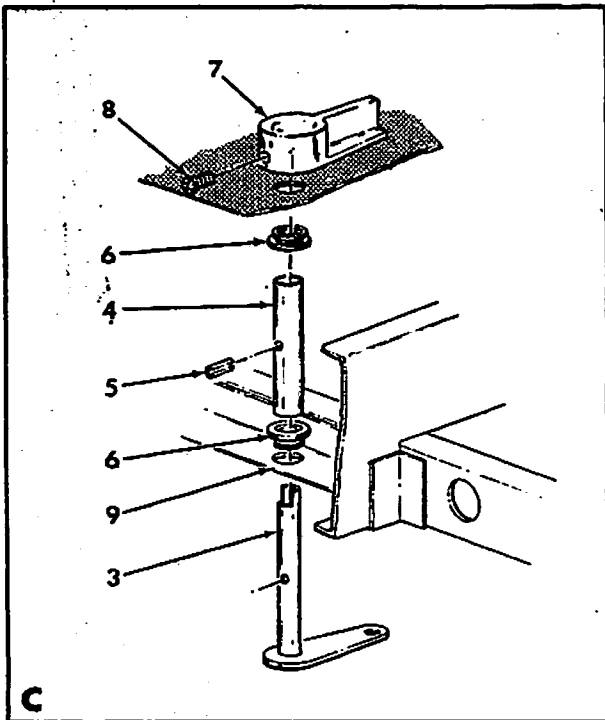
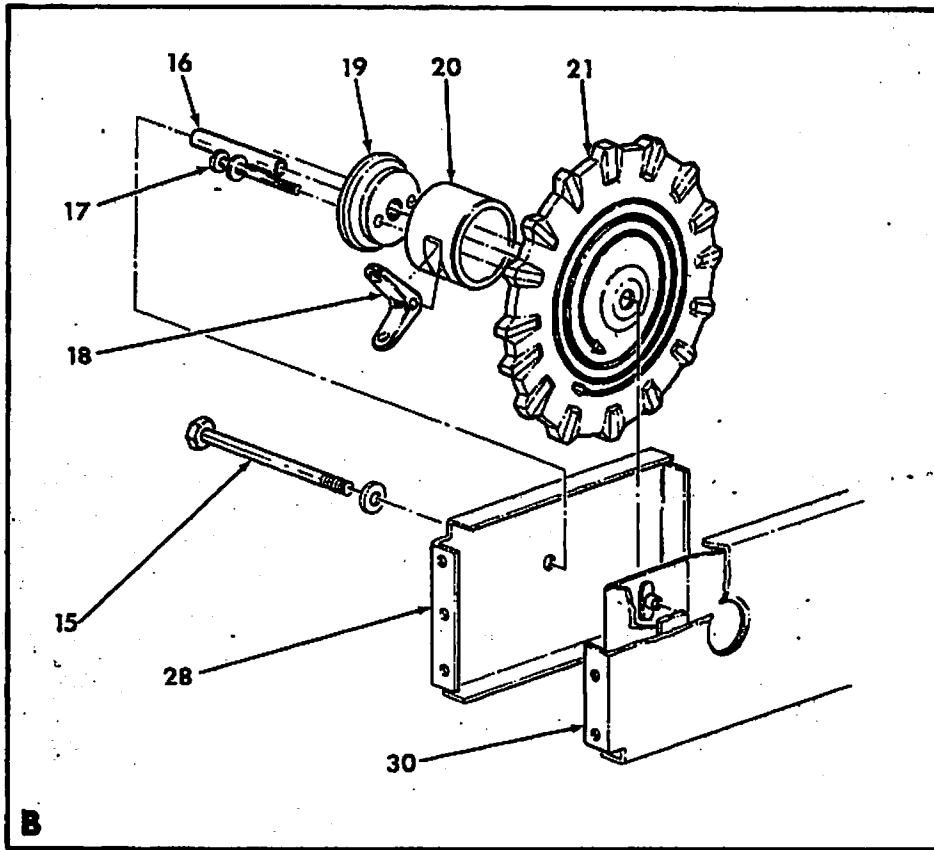
GRUMMAN AMERICAN AVIATION
GA-7/COUGAR
ILLUSTRATED PARTS CATALOG



Aft Console Installation
Figure 39-6 (Sheet 2 of 3)

39G74-06-2

GRUMMAN AMERICAN AVIATION
GA-7/COUGAR
ILLUSTRATED PARTS CATALOG



Aft Console Installation
 Figure 39-6 (Sheet 3 of 3)

39G74-083

GRUMMAN AMERICAN AVIATION

GA-7/COUGAR

ILLUSTRATED PARTS CATALOG

Figure & Index No.	Part Number	Nomenclature							Units Per Assy	Usable On Code
		1	2	3	4	5	6	7		
39- 6 -	7F10302-1 7F10302-3	AFT CONSOLE INSTALLATION.....							NP	
		.AFT CONSOLE ASSEMBLY.....							1	
		(ATTACHING PARTS)								
- 1	MS35206-245	.SCREW.....							2	
	AN960-8	.WASHER.....							2	
- 2	MS35206-230	.SCREW.....							9	
	AN960-6L	.WASHER.....							9	
	A8098-632-3	.NUT (78553).....							9	
		-----*								
- 3	7F10302-5	..CONTROL ASSEMBLY, FUEL SELECTOR.....							2	
- 4	7F10316-1	..BELLCRANK ASSEMBLY.....							1	
- 5	7F10316-15	..SPACER.....							1	
- 6	MS16562-24	..PIN, ROLL.....							1	
- 7	5L1-FF	..BUSHING (26002).....							2	
- 7	7FP10320-11	..KNOB, FUEL SELECTOR.....							1	
		(ATTACHING PARTS)								
- 8	AN56506H6	..SETSCREW.....							1	
		-----*								
- 9	7F10317-1	..ANGLE ASSEMBLY.....							1	
- 10	LT1GK61-6S-WH-AM- NBL-XGRI	..SWITCH,ROCKER (73559).....							2	
- 11	7F10317-15	..COVER.....							1	
- 12	7F10315-1	..PANEL ASSEMBLY.....							1	
		(ATTACHING PARTS FOR ITEMS 11 AND 12)								
- 13	MS35206-227	..SCREW.....							15	
	A8098-632-3	..NUT (78553).....							15	
		-----*								
- 14	7F10038-75	..PLACARD, FUEL PUMP (REFER TO CHAPTER 11 FOR... PLACARD DETAILS)							1	
- 15	AN3H26A	..BOLT.....							1	
	AN960-10	..WASHER.....							1	
- 16	NAS43HT3-223	..SPACER.....							1	
	7C10701-3	..WHEEL ASSEMBLY, TRIP TAB CONTROL.....							1	
- 17	NAS227-2R	..SCREW.....							2	
	AN936A8	..WASHER.....							2	
- 18	7C10701-21	..RETAINER.....							1	
- 19	7C10701-13	..CAP, END.....							1	
- 20	7C10701-19	..TUBE.....							1	
- 21	7C10701-17	..WHEEL, TRIM.....							1	
- 22	7F10333-1	..INDICATOR.....							1	
		(ATTACHING PARTS)								
- 23	MS35206-230	..SCREW.....							1	
	AN960C6L	..WASHER.....							1	
	NAS43HT1-5	..SPACER.....							1	
		-----*								
- 24	MS35206-262	..SCREW.....							3	
	AN960-10	..WASHER.....							3	
- 25	MS35206-245	..SCREW.....							4	
	AN960-8	..WASHER.....							4	
- 26	7F10318-1	..CHANNEL ASSEMBLY.....							1	
- 27	7F10318-17	..BRACKET.....							1	
- 28	7F10318-5	..BRACKET ASSEMBLY.....							1	
		(ATTACHING PARTS)								
- 29	MS35206-230	..SCREW.....							3	
	AN960-6L	..WASHER.....							3	
	A8098-632-2	..NUT (78553).....							3	
		-----*								
- 30	7F10318-3	..BRACKET ASSEMBLY.....							1	
- 31	7F10318-4	..BRACKET ASSEMBLY.....							1	

GRUMMAN AMERICAN AVIATION
GA-7/COUGAR
ILLUSTRATED PARTS CATALOG

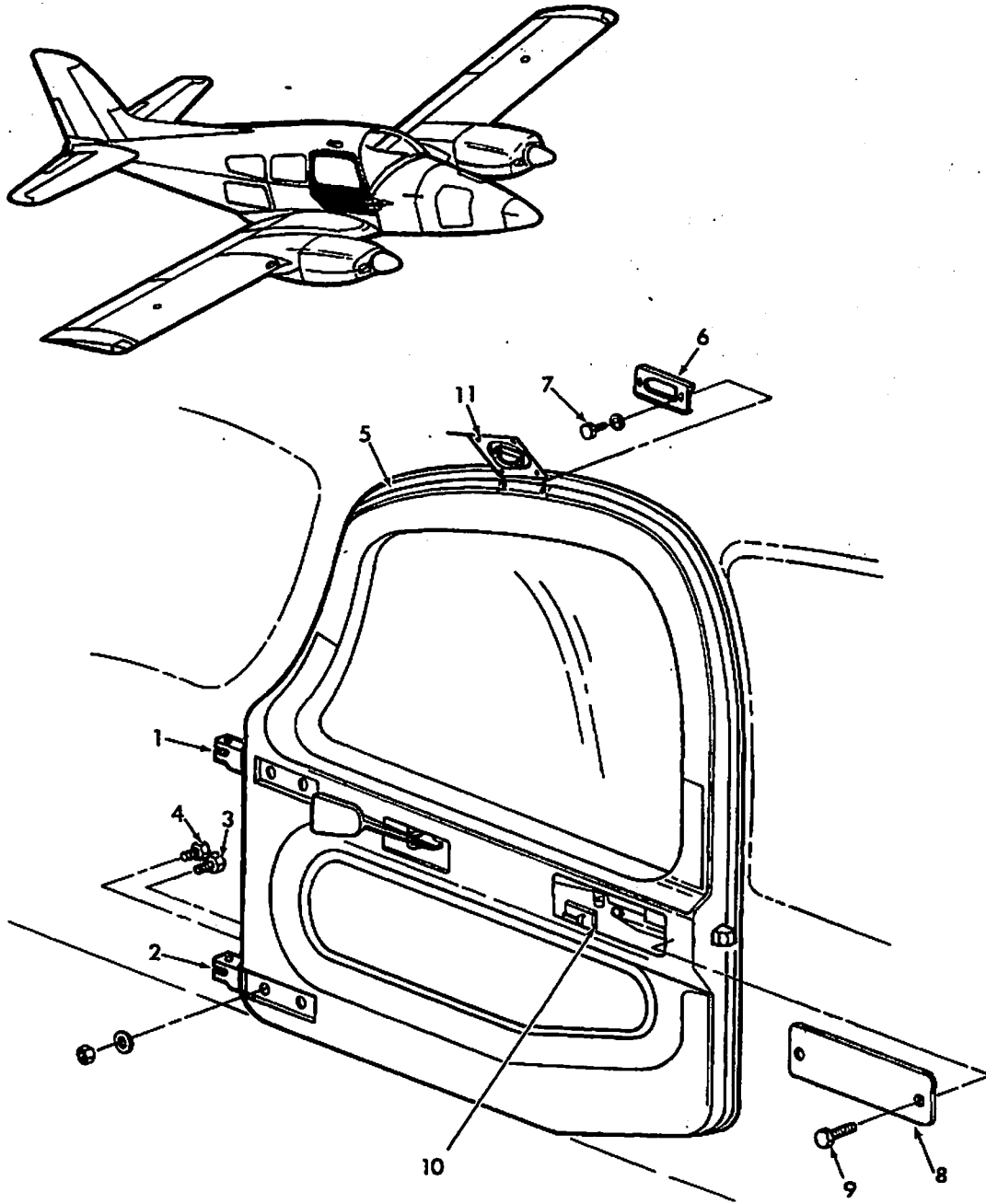
CHAPTER 52

DOORS

TABLE OF CONTENTS

<u>SUBJECT</u>	<u>FIGURE NUMBER</u>
PASSENGER DOOR ASSEMBLY	52-1
LOWER DOOR LATCH BOLT ASSEMBLY	52-2
PASSENGER DOOR UPPER LATCH ASSEMBLY	52-3
FORWARD BAGGAGE DOOR INSTALLATION (OPTIONAL)	52-4
AFT BAGGAGE COMPARTMENT DOOR ASSEMBLY	52-5

GRUMMAN AMERICAN AVIATION
GA-7/COUGAR
ILLUSTRATED PARTS CATALOG



ROTATED 180°

Right Hand Passenger Door Assembly
Figure 52-1

62G74-01

GRUMMAN AMERICAN AVIATION
GA-7/COUGAR
ILLUSTRATED PARTS CATALOG

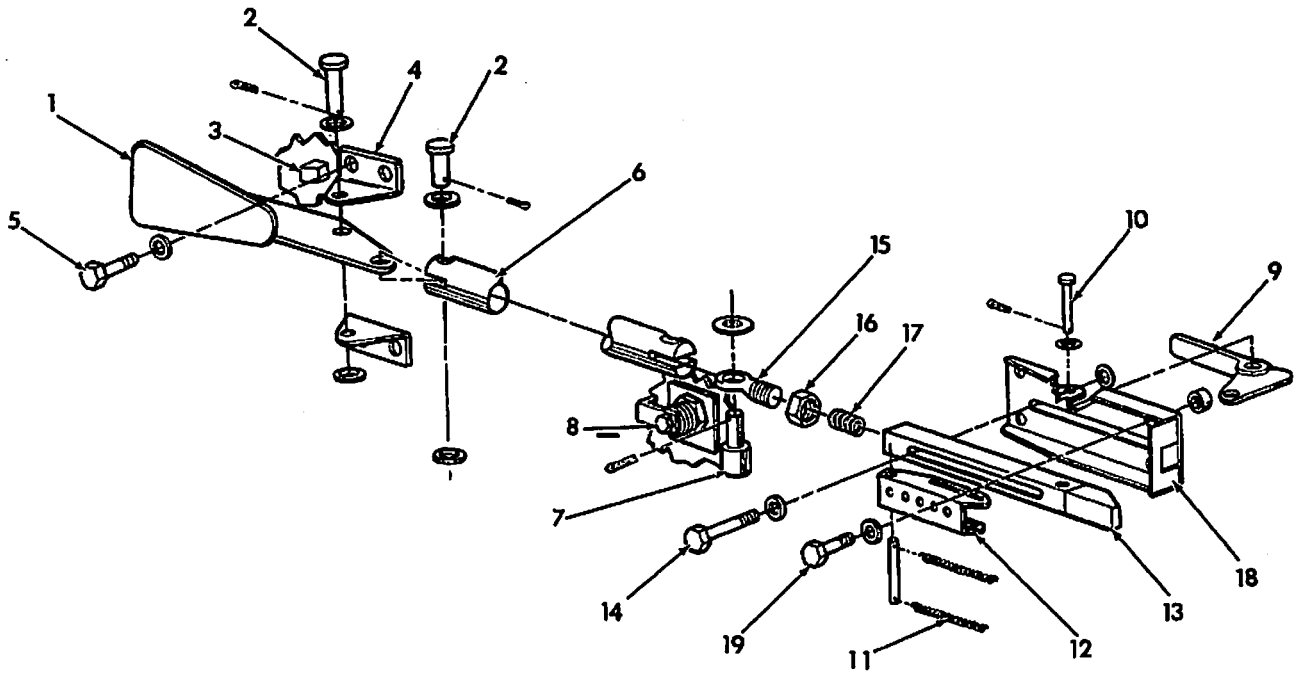
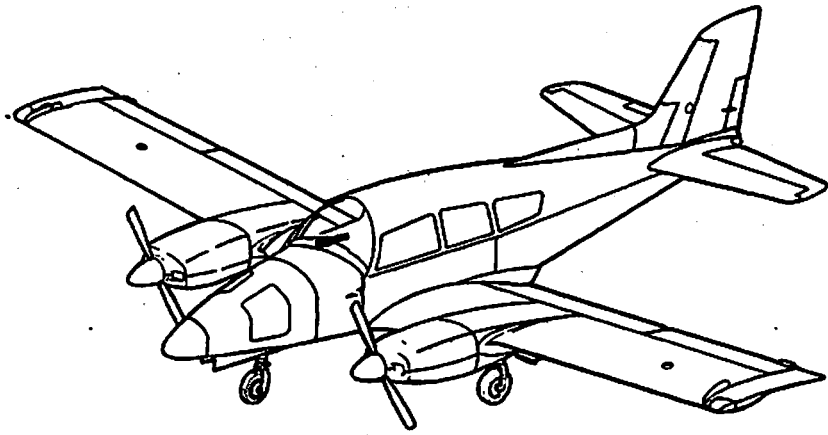
Figure & Index No.	Part Number	Nomenclature	Units	Usable On Code
			Per Assy	
		1 2 3 4 5 6 7		
52- 1 -	7B11001-1	DOOR ASSEMBLY, RH, PASSENGER, (STANDARD).....	1	
	7B11001-5	DOOR ASSEMBLY, RH, PASSENGER, (OPTIONAL).....	1	
- 1	78M11011-15	.HINGE.....	1	
- 2	78M11011-17	.HINGE.....	1	
		(ATTACHING PARTS FOR ONE EACH OF INDEX NUMBERS 1 AND 2)		
- 3	GB511AR4-11A	.BOLT.....	1	
- 4	GB511AR4-16A	.BOLT.....	1	
	AN960C416	.WASHER.....	2	
	MS21042-4	.NUT.....	2	

- 5	7BV11012-11	.SEAL.....	AR	
- 6	7B11002-1	.CATCH ASSEMBLY.....	1	
		(ATTACHING PARTS)		
- 7	MS35217-53	.SCREW.....	2	
	AN960D10L	.WASHER.....	2	

- 8	7B11001-33	.COVER.....	1	
		(ATTACHING PARTS)		
- 9	MS35206-242	.SCREW.....	2	

- 10	7B11301-1	.LATCH INSTALLATION, PASSENGER DOOR LOWER.....	1	
		(SEE FIGURE 52-2 FOR DETAIL BREAKDOWN)		
- 11	7B11300-1	.LATCH INSTALLATION, PASSENGER DOOR, UPPER.....	1	
		(SEE FIGURE 52-3 FOR DETAIL BREAKDOWN)		

GRUMMAN AMERICAN AVIATION
GA-7/COUGAR
ILLUSTRATED PARTS CATALOG



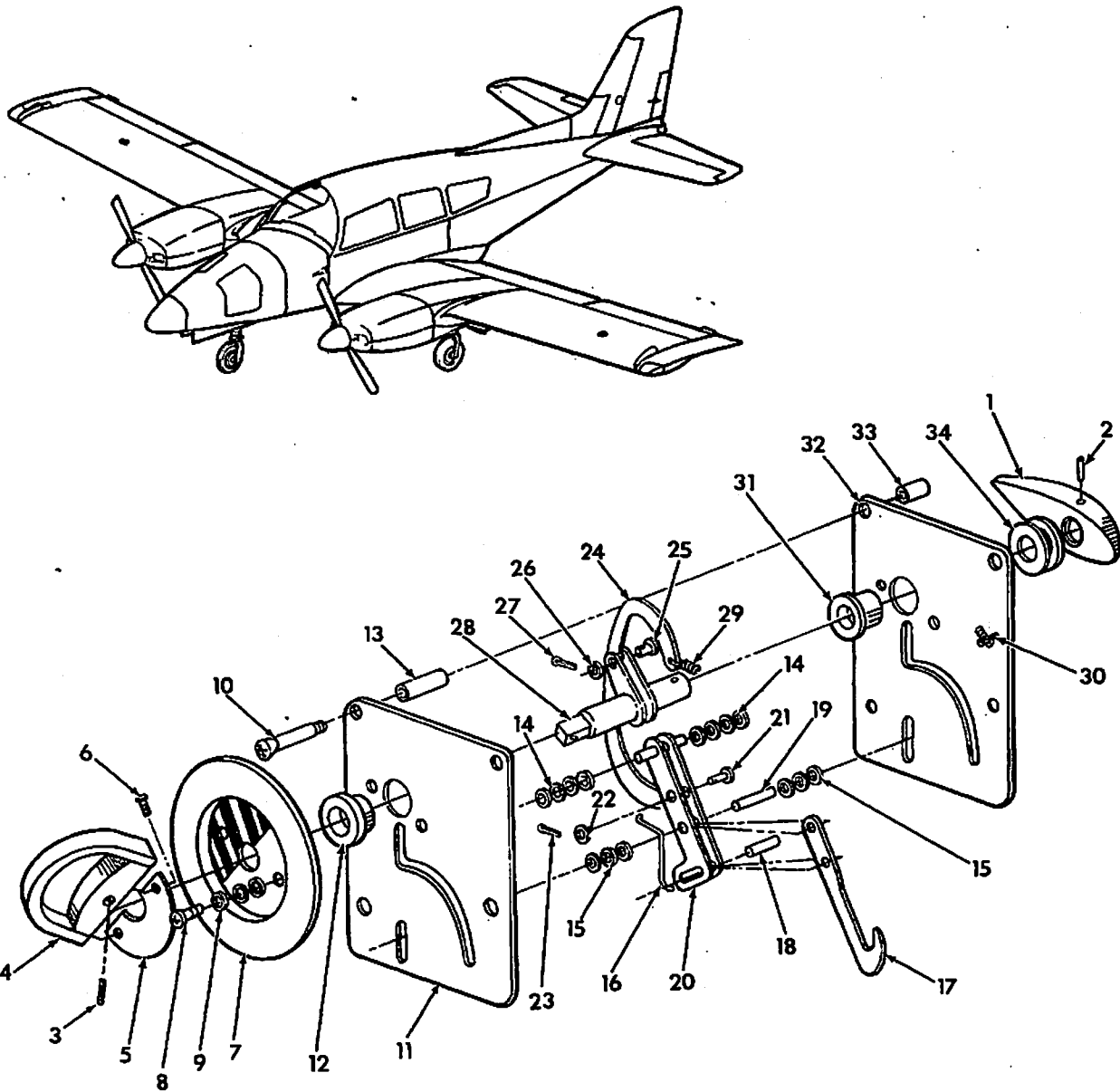
Lower Door Latch Bolt Assembly
Figure 52-2

62G74-02

BRUNNMAN AMERICAN AVIATION
GA-7/COUGAR
ILLUSTRATED PARTS CATALOG

Figure & Index No.	Part Number	Nomenclature	Units Per Assy	Usable On Code	
					1 2 3 4 5 6 7
52- 2 -	- 1	7B11301-3 78P11315-13	BOLT ASSEMBLY, LATCH, LOWER DOOR..... HANDLE, INSIDE..... (ATTACHING PARTS)	1 1	
	- 2	MS20392-3C31 AN960D416L MS24665-281 MS20392-3C17	.PIN..... .WASHER..... .PIN, COTTER..... .PIN.....	1 4 2 1	
	- 3	7B11301-31	.STOP.....	1	
	- 4	7B11301-11	.BRACKET..... (ATTACHING PARTS)	2	
	- 5	AN3H3A AN960-10L	.BOLT..... .WASHER.....	4 4	
	- 6	78P11316-11	.ROD..... (ATTACHING PARTS)	1	
	- 7	7B11301-23 AN960D416L MS24665-281	.PIN..... .WASHER..... .PIN.....	1 2 1	
	- 8	H76A4H	.LOCK (MOUNTING HARDWARE SUPPLIED).....	1	
	- 9	7B11325-11	.HANDLE, OUTSIDE..... (ATTACHING PARTS)	1	
	- 10	MS20392-3C21 AN960-416L MS24665-132 7B11301-15 MS24665-5	.PIN..... .WASHER..... .PIN, COTTER..... .PIN..... .PIN, COTTER.....	1 2 1 1 2	
	- 11	MS24586C34	.SPRING.....	2	
	- 12	7B11324-13	.LINK.....	1	
	- 13	78M11323-11	.BOLT..... (ATTACHING PARTS)	1	
	- 14	AN3H7A AN960-10L 7B11301-21	.BOLT..... .WASHER..... .WASHER.....	2 2 2	
	- 15	7B11301-17	.EYEBOLT..... (ATTACHING PARTS)	1	
	- 16	AN316-6	.NUT.....	1	
	- 17	MS24585C181	.SPRING.....	2	
	- 18	7B11313-1	.CHANNEL ASSEMBLY..... (ATTACHING PARTS)	1	
	- 19	AN343A AN960-10L 7B11301-13	.BOLT..... .WASHER..... .SPACER.....	4 4 4	

GRUMMAN AMERICAN AVIATION
GA-7/COUGAR
ILLUSTRATED PARTS CATALOG



Upper Passenger Door Latch Assembly
Figure 52-3

52674-03

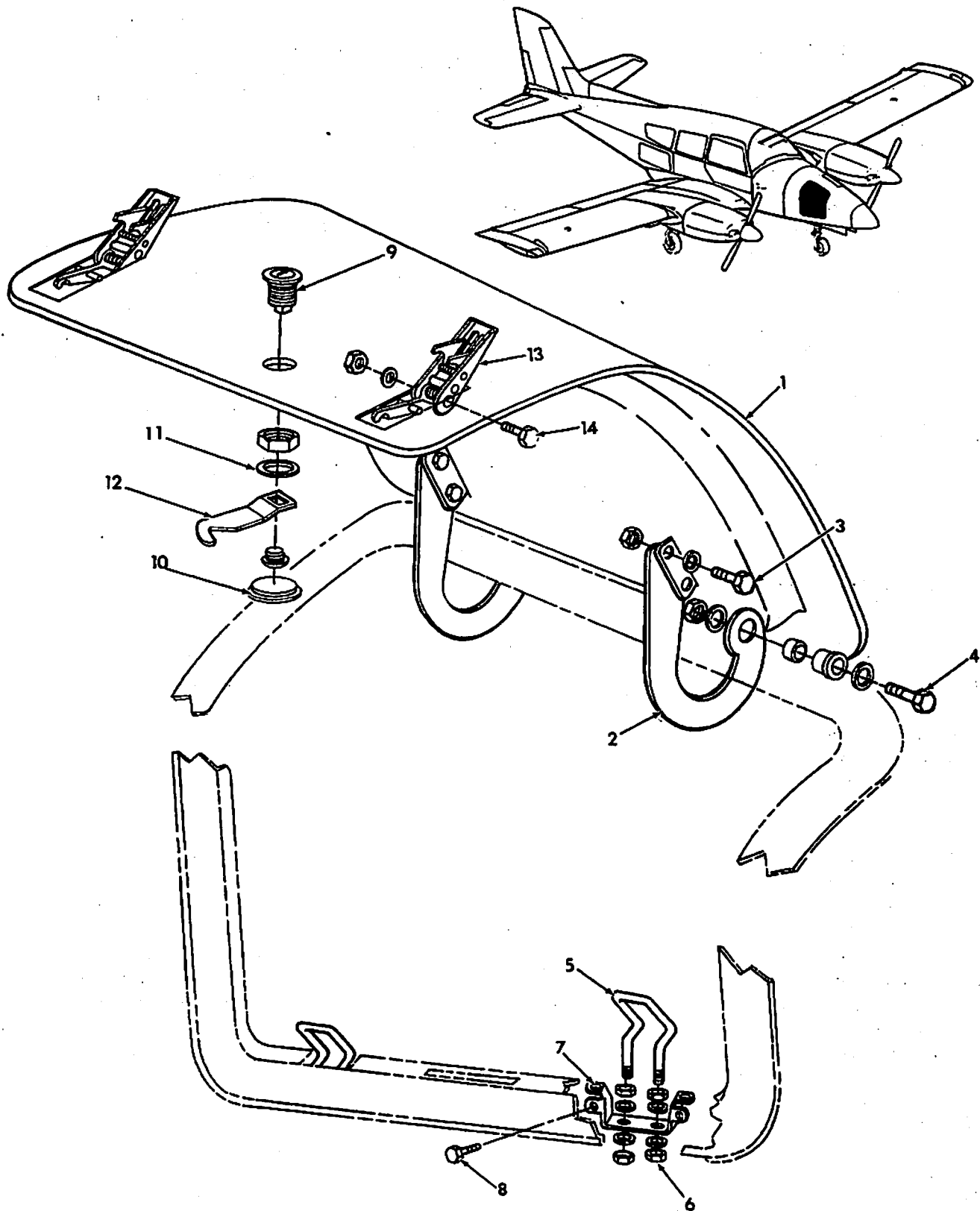
GRUMMAN AMERICAN AVIATION

GA-7/COUGAR

ILLUSTRATED PARTS CATALOG

Figure & Index No.	Part Number	Nomenclature	Units Per Assy	Usable On Code
52- 3 -	7811300-3	LATCH ASSEMBLY, UPPER PASSENGER DOOR.....	1	
- 1	78P1133-11	.HANDLE, UPPER LATCH, OUTSIDE..... (ATTACHING PARTS)	1	
- 2	52-028-125-0625	.ROLL PIN.....	1	
	7811300-5	.HANDLE ASSEMBLY, LOWER LATCH..... (ATTACHING PARTS)	1	
- 3	NO NUMBER	.PIN, SPRING (SUPPLIED WITH INDEX NUMBER 4).....	1	
- 4	AR70	.HANDLE (80477).....	1	
- 5	7811300-11	.SHIELD..... (ATTACHING PARTS)	1	
- 6	NAS1189-06P3N	.SCREW, SELFLOCKING.....	2	
- 7	7811300-13	.ESCUTCHEON..... (ATTACHING PARTS)	1	
- 8	MS35206-226	.SCREW, MACHINE.....	2	
- 9	AN960D6	.WASHER, FLAT.....	6	
	7811300-7	.PLATE ASSEMBLY..... (ATTACHING PARTS)	1	
- 10	MS24694S65	.SCREW, MACHINE.....	4	
- 11	7811310-11	.PLATE.....	1	
- 12	FF512-2	.BUSHING (70417).....	1	
- 13	NAS430D3-40	.SPACER.....	4	
- 14	AN960D8	.WASHER, FLAT.....	8	
- 15	AN960D8	.WASHER, FLAT.....	6	
- 16	7811311-13	.SPRING, HELICAL COMPRESSION.....	1	
- 17	7811321-11	.HOOK..... (ATTACHING PARTS)	1	
- 18	MS16555-627	.PIN, STRAIGHT.....	1	
- 19	MS16555-630	.PIN, STRAIGHT.....	1	
- 20	78M11320-1	.ARM..... (ATTACHING PARTS)	1	
- 21	MS20392C13	.PIN, STRAIGHT, HEADED.....	1	
- 22	AN960D416L	.WASHER, FLAT.....	1	
- 23	MS24665-132	.PIN, COTTER.....	1	
- 24	7811311-11	.SPRING ARM..... (ATTACHING PARTS)	1	
- 25	MS20392-1C13	.PIN, STRAIGHT, HEADED.....	1	
- 26	AN960D416L	.WASHER, FLAT.....	1	
- 27	MS24665-132	.PIN, COTTER.....	1	
- 28	7811314-1	.SHAFT.....	1	
- 29	MS24586C37	.SPRING, HELICAL COMPRESSION..... (ATTACHING PARTS)	1	
- 30	MS24665-285	.PIN, COTTER.....	1	
	7811300-9	.PLATE ASSEMBLY.....	1	
- 31	FF512-2	.BUSHING.....	1	
- 32	7811310-13	.PLATE.....	1	
- 33	NAS430D3-11	.SPACER.....	4	
- 34	78V11314-11	.GROMMET.....	1	

GRUMMAN AMERICAN AVIATION
GA-7/COUGAR
ILLUSTRATED PARTS CATALOG



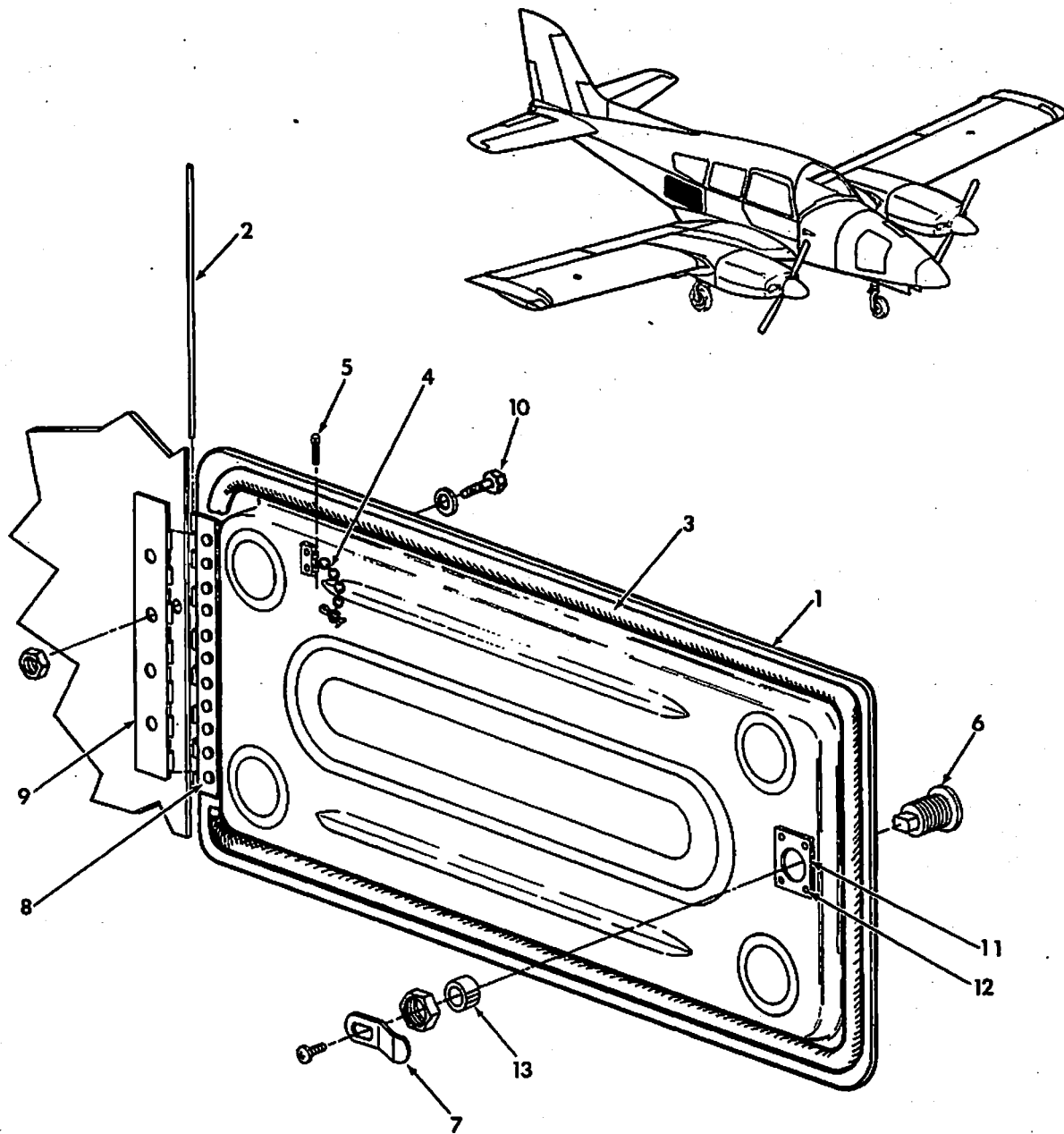
Forward Baggage Door Installation (Optional)
Figure 52-4

52G74-04

GRUMMAN AMERICAN AVIATION
GA-7/COUGAR
ILLUSTRATED PARTS CATALOG

Figure & Index No.	Part Number	Nomenclature	Units Per Assy	Usable On Code
52- 4 -	7810300-1	DOOR INSTALLATION, FORWARD BAGGAGE (OPTIONAL)	NP	
- 1	7810300-5	..DOOR ASSEMBLY, FORWARD BAGGAGE (OPTIONAL).....	1	
- 2	7810300-21	..HINGE.....	2	
		(ATTACHING PARTS)		
- 3	AN3-5A	..BOLT, AIRCRAFT.....	2	
	AN960D10L	..WASHER, FLAT.....	2	
	MS20365-1032	..NUT, SELFLOCKING.....	2	
- 4	AN4-7A	..BOLT, AIRCRAFT.....	1	
	AN960-416	..WASHER, FLAT.....	1	
	7810300-53	..BEARING.....	1	
	NAS43DD4-19	..SPACER.....	1	
	AN960-416L	..WASHER, FLAT.....	1	
	MS21042L4	..NUT.....	1	
		-----*		
- 5	7810300-19	..CATCH.....	2	
		(ATTACHING PARTS)		
- 6	MS21042L4	..NUT.....	4	
	AN960-416L	..WASHER, FLAT.....	4	
		-----*		
- 7	7810300-7	..BRACKET ASSEMBLY.....	2	
		(ATTACHING PARTS)		
- 8	MS24694S48	..SCREW.....	4	
		-----*		
- 9	H72A3H	..LOCK (HURD LOCK) (MOUNTING HARDWARE.....	1	
		SUPPLIED)		
- 10	DP1250	..PLUG (FEYCC PRODUCTS CO.).....	1	
- 11	AN960-416L	..WASHER, FLAT.....	1	
- 12	7810300-27	..CAM.....	1	
- 13	H9125	..LATCH (HARTWELL CCRP.).....	2	
		(ATTACHING PARTS)		
- 14	AN3-14A	..BOLT, AIRCRAFT.....	1	
	AN960C10	..WASHER, FLAT.....	1	
	MS21042-3	..NUT.....	1	
		-----*		

GRUMMAN AMERICAN AVIATION
GA-7/COUGAR
ILLUSTRATED PARTS CATALOG



ROTATED 180°

Aft Baggage Compartment Door Assembly
Figure 52-5

52-G74-05

GRUMMAN AMERICAN AVIATION
GA-7/COUGAR
ILLUSTRATED PARTS CATALOG

Figure & Index No.	Part Number	Nomenclature							Units Per Assy	Usable On Code
		1	2	3	4	5	6	7		
52- 5 - 1	7B10600-1	DOOR ASSEMBLY, AFT BAGGAGE COMPARTMENT.....							1	
		(ATTACHING PARTS)								
- 2	MS20253P2-1125	.HINGE PIN.....							1	
		-----*								
- 3	GAES411-1	.SEAL.....							1	
- 4	5102283-7	.CHAIN.....							1	
		(ATTACHING PARTS)								
- 5	MS24665-285	.PIN, COTTER.....							1	
	MS24665-132	.PIN, COTTER.....							1	
		-----*								
- 6	1702 STYLE C	.LOCK (81741) (MOUNTING HARDWARE SUPPLIED).....							1	
- 7	7B10600-911	.LATCH.....							1	
- 8	7B10600-17	.HINGE HALF.....							1	
- 9	7B10600-19	.HINGE HALF (FUSELAGE).....							1	
		(ATTACHING PARTS)								
- 10	MS24694-512	.SCREW.....							4	
	AN960-8	.WASHER, FLAT.....							4	
	MS20365-832	.NUT, SELFLOCKING.....							4	
		-----*								
- 11	5102283-6	.PLATE.....							1	
		(ATTACHING PARTS)								
- 12	1601-0610	.RIVET.....							2	
		-----*								
- 13	7B10600-29	.SPACER.....							1	

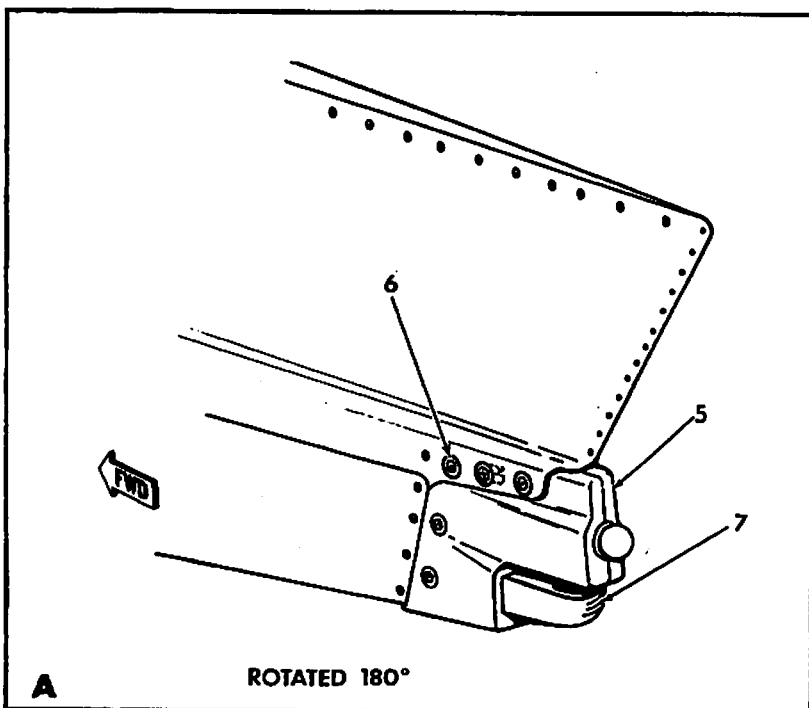
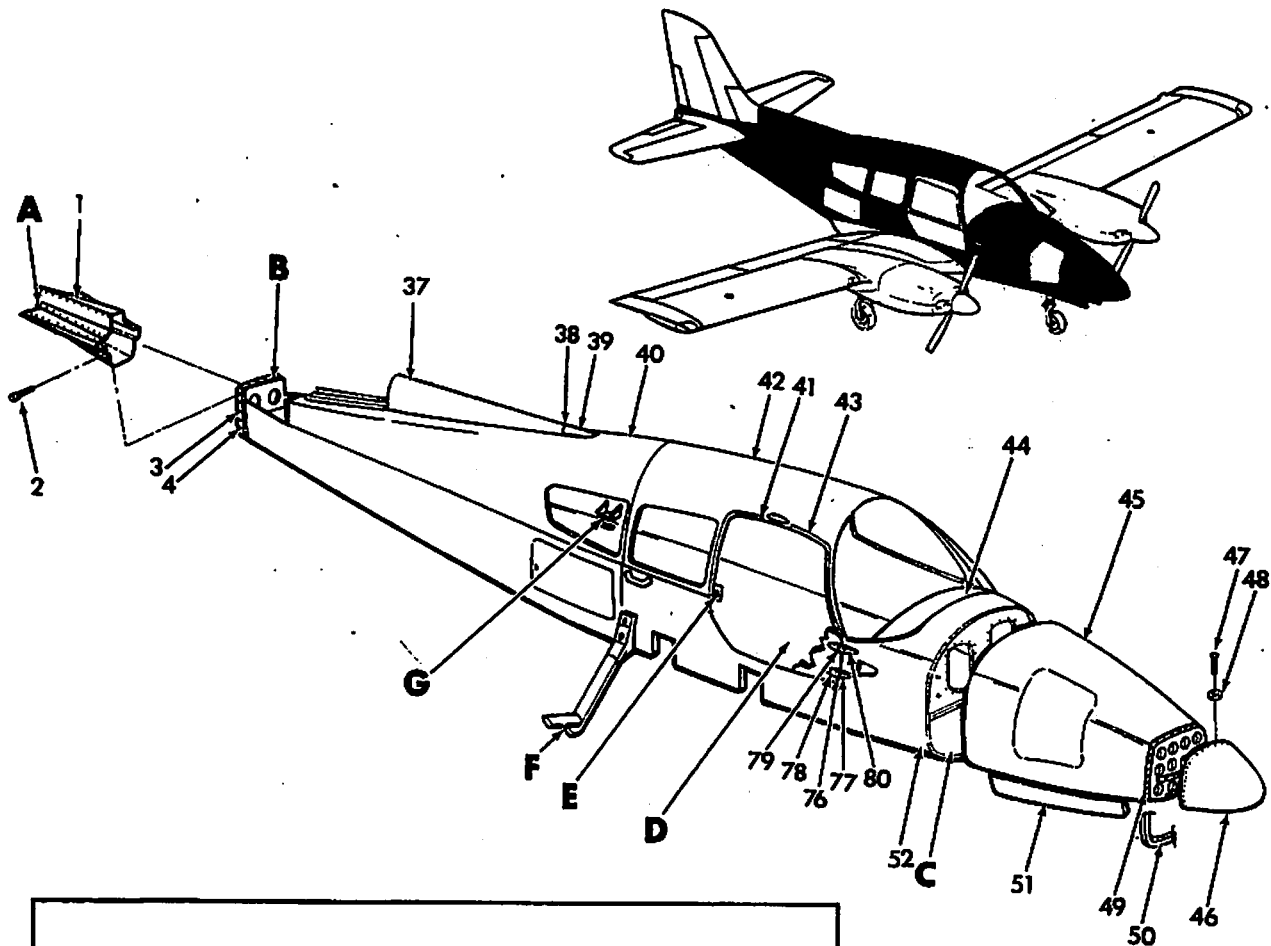
GRUMMAN AMERICAN AVIATION
GA-7/COUGAR
ILLUSTRATED PARTS CATALOG

CHAPTER 53

FUSELAGE

TABLE OF CONTENTS

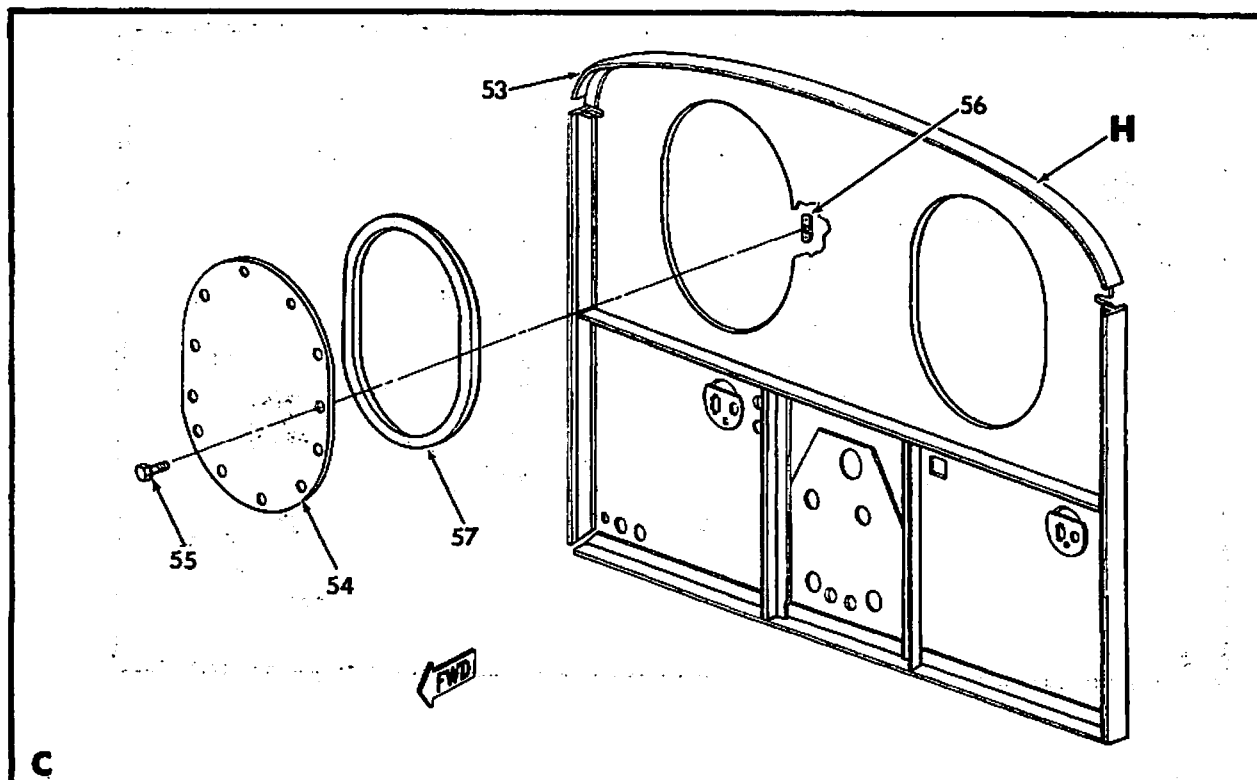
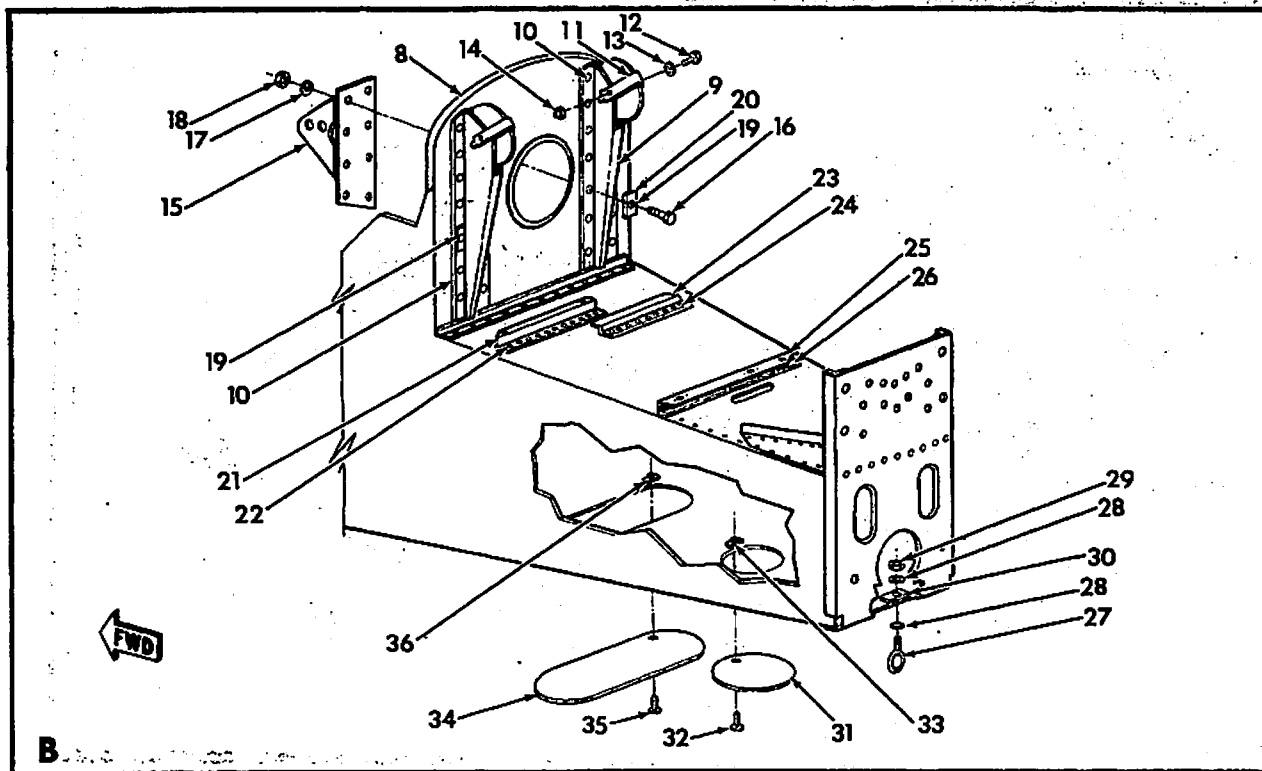
<u>SUBJECT</u>	<u>FIGURE NUMBER</u>
FUSELAGE ASSEMBLY	53-1
INSTRUMENT PANEL INSTALLATION	53-2
NOSE SECTION INSTALLATION	53-3
WHEEL WELL BEAM ASSEMBLY	53-4



Fuselage Assembly
Figure 53-1 (Sheet 1 of 5)

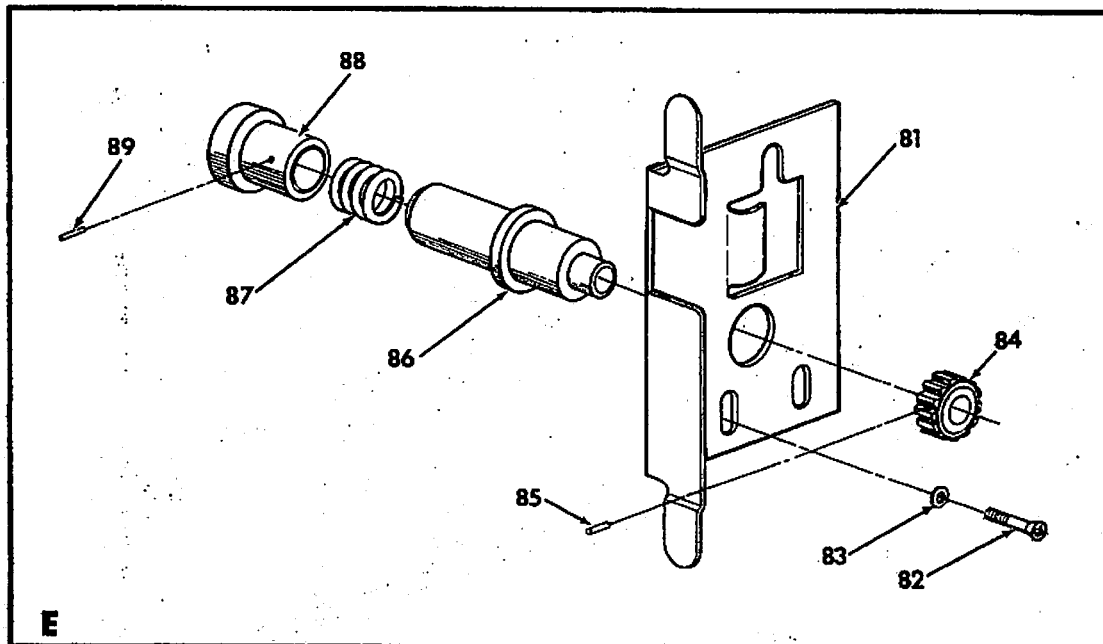
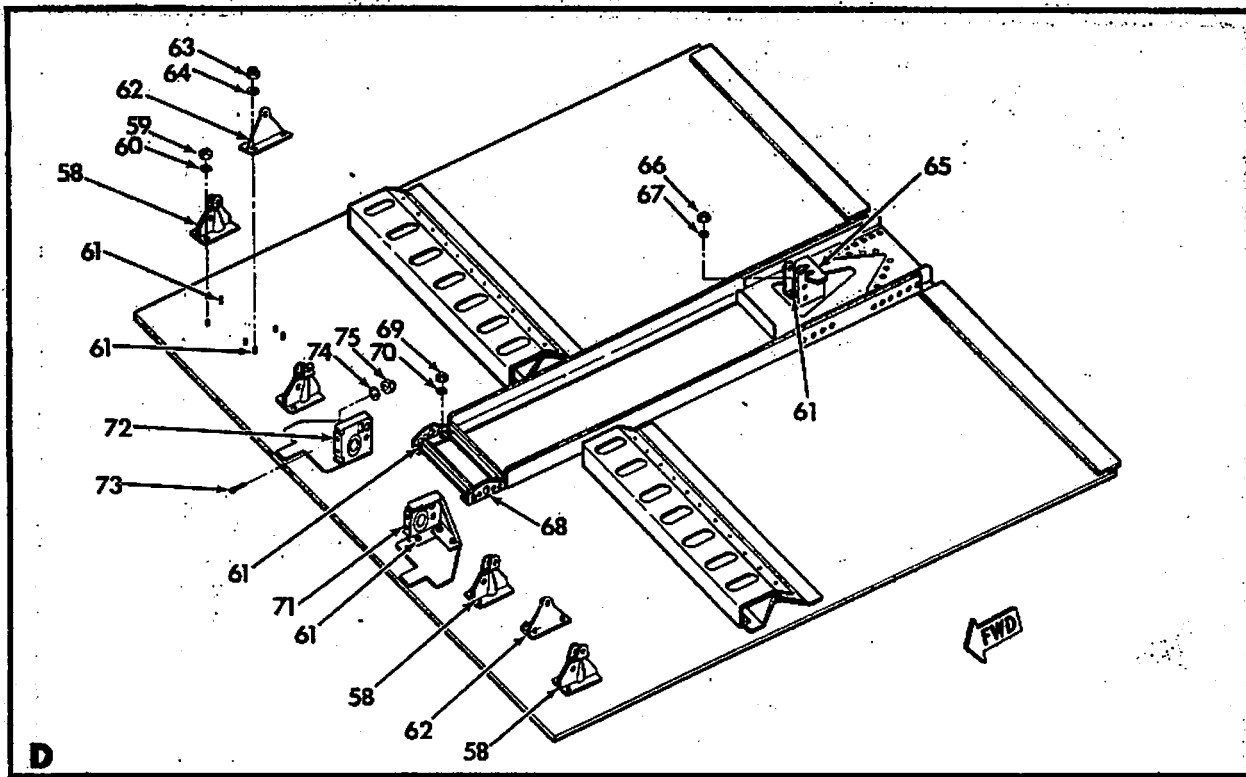
53G74-01-1

GRUMMAN AMERICAN AVIATION
GA-7/COUGAR
ILLUSTRATED PARTS CATALOG



Fuselage Assembly
 Figure 53-1 (Sheet 2 of 5)

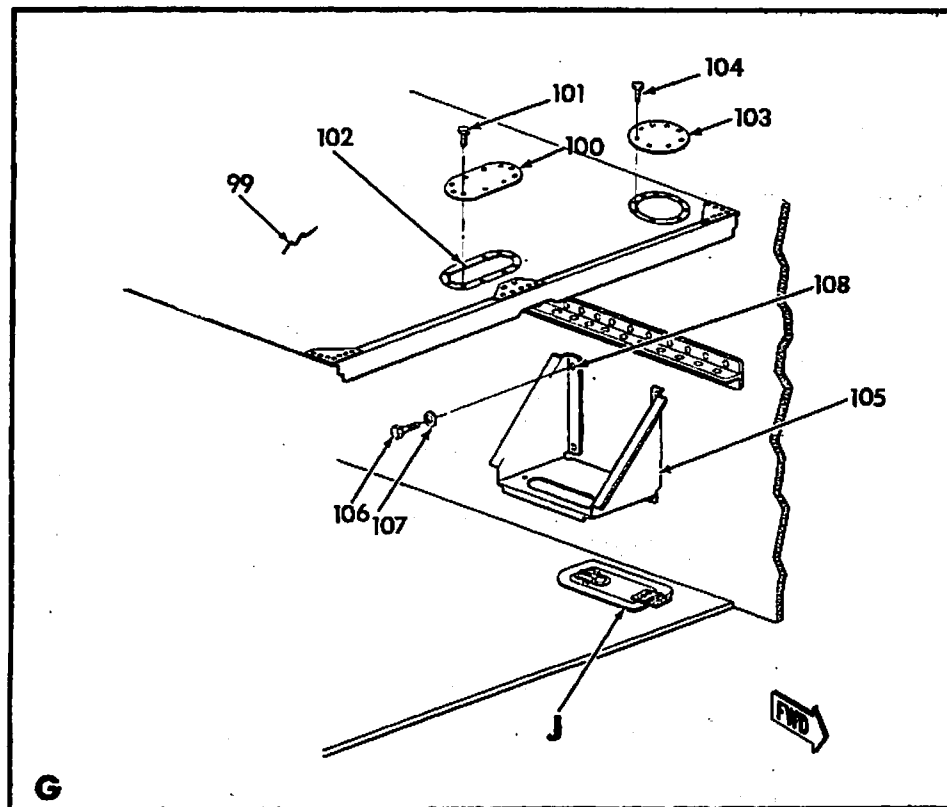
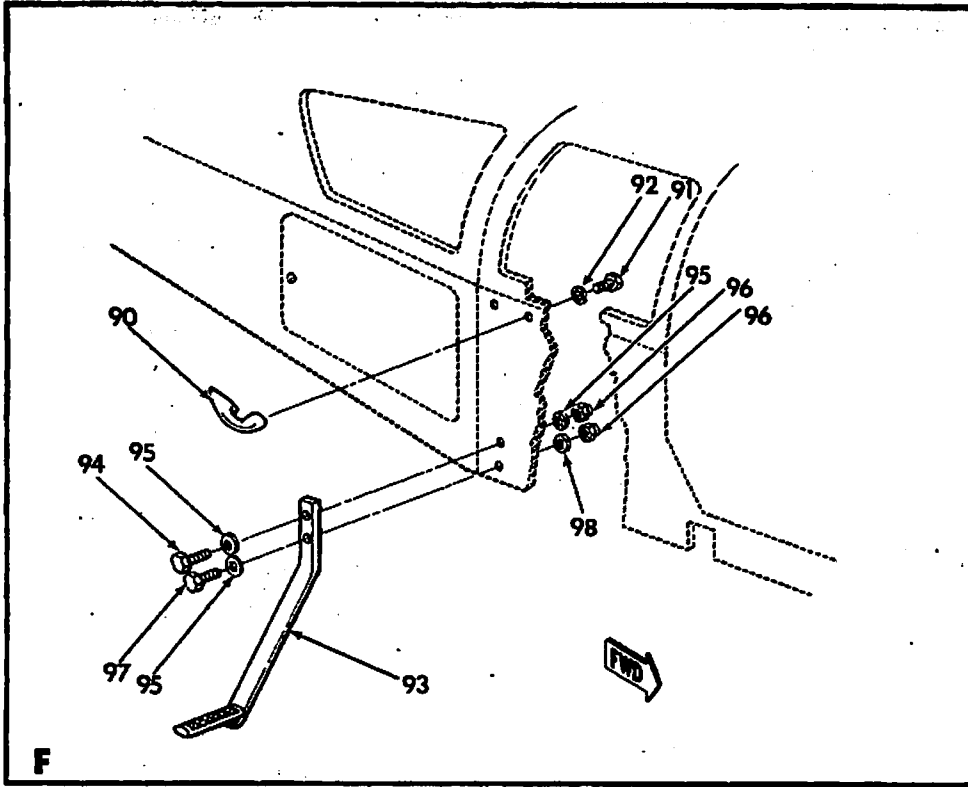
BRUMMAN AMERICAN AVIATION
GA-7/COUGAR
ILLUSTRATED PARTS CATALOG



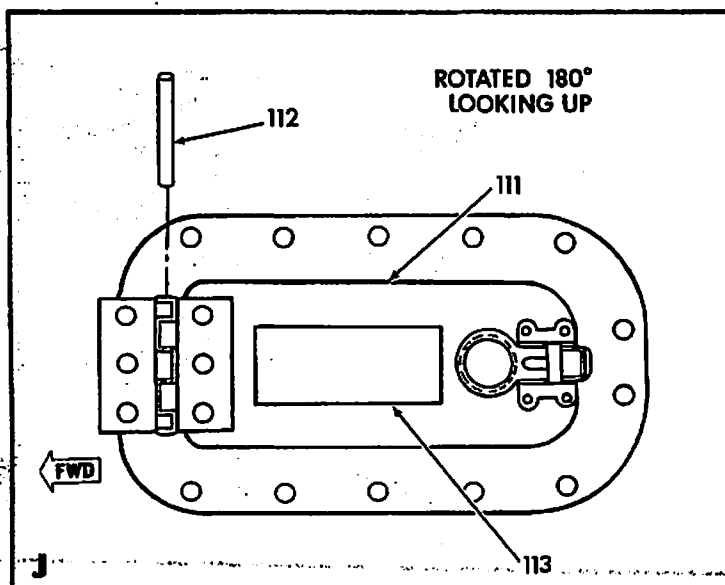
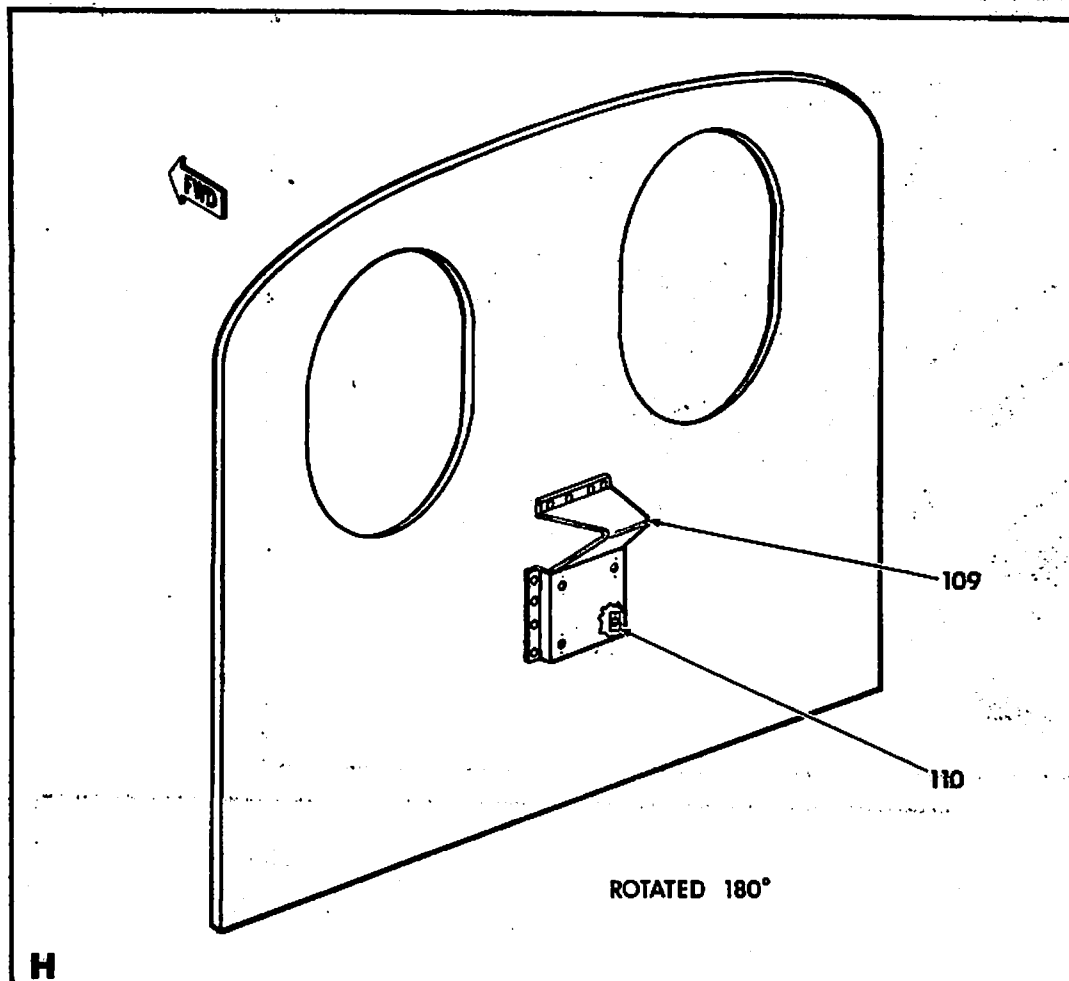
Fuselage Assembly
 Figure 53-1 (Sheet 3 of 5)

53G74-01-3

GRUMMAN AMERICAN AVIATION
GA-7/COUGAR
ILLUSTRATED PARTS CATALOG



Fuselage Assembly
Figure 53-1 (Sheet 4 of 5)



Fuselage Assembly
Figure 53-1 (Sheet 5 of 5)

53G74-01-5

GRUMMAN AMERICAN AVIATION
GA-7/COUGAR
ILLUSTRATED PARTS CATALOG

Figure & Index No.	Part Number	Nomenclature							Units Per Assy	Usable On Code
		1	2	3	4	5	6	7		
53- 1 -	7810000-1	FUSELAGE ASSEMBLY.....							1	
	7810506-1	..TAIL CONE INSTALLATION.....							RF	
- 1	7810506-3	..TAIL CONE ASSEMBLY.....							1	
		(ATTACHING PARTS)								
- 2	MS24694550	..SCREW, MACHINE.....							10	
- 3	NAS682A3	..NUT, PLATE.....							6	
	MS20426AD3	..RIVET.....							12	
- 4	NAS680A3	..NUT, PLATE.....							4	
	MS20426AD3	..RIVET.....							8	
- 5	78P10521-1	...FAIRING ASSEMBLY, TAIL CONE STINGER (ATTACHING PARTS)							1	
- 6	MS2469455	...SCREW, MACHINE.....							11	
	A3135-017-4	...WASHER, COUNTERSUNK (78553).....							11	
	MS21047L08	...NUT, PLATE.....							11	
	NAS1097AD3	...RIVET.....							22	
- 7	7F10908	...NAVIGATION/ANTICOLLISION LIGHTS (SEE CHAPTER 33 FOR DETAIL BREAKDOWN)							RF	
- 8	7810518-1	..DECK INSTALLATION, STATION 266.89 TO STATION 284.0C							1	
- 9	7C10403-1	..BRACKET ASSEMBLY, PULLEY, RUDDER CONTROL (SEE CHAPTER 27 FOR DETAIL BREAKDOWN) (ATTACHING PARTS)							2	
- 10	MS20470AD4	..RIVET.....							8	
- 11	7C10403-13	...GUARD, CABLE.....							1	
	MS20220-2	...PULLEY, CABLE, RUDDER CONTROL (SEE CHAPTER 27 FOR DETAIL BREAKDOWN) (ATTACHING PARTS)							RF	
- 12	AN5-11A	...BOLT, AIRCRAFT.....							1	
- 13	AN960-516	...WASHER, FLAT.....							1	
- 14	MS20364-524C	...NUT, SELFLOCKING.....							1	
- 15	7CM10352-13	..MOUNTING BRACKET, ELEVATOR BELLCRANK, LM..... (SEE CHAPTER 27 FOR DETAIL BREAKDOWN)							1	
	7CM10352-14	..MOUNTING BRACKET, ELEVATOR BELLCRANK, RH..... (SEE CHAPTER 27 FOR DETAIL BREAKDOWN) (ATTACHING PARTS)							1	
- 16	NAS1303-4	..BOLT, SHEAR.....							8	
- 17	AN960D10L	..WASHER, FLAT.....							8	
- 18	MS21042L3	..NUT, SELFLOCKING.....							8	
- 19	GS11E0108G09AE	...STRIP (SEE INDEX NUMBER 9 FOR NMA)..... (ATTACHING PARTS)							2	
- 20	NAS1097AD3	...RIVET.....							2	
- 21	7810518-35	..ZEE BRACKET, STROBE POWER SUPPLY (SEE CHAPTER 33 FOR DETAIL BREAKDOWN) (ATTACHING PARTS)							1	
- 22	MS20470AD5	..RIVET.....							10	
- 23	7810518-33	..ZEE BRACKET, EMERGENCY LOCATOR TRANSMITTER (SEE CHAPTER 23 FOR DETAIL BREAKDOWN) (ATTACHING PARTS)							1	
- 24	MS20470AD4	..RIVET.....							8	
- 25	7810518-37	..MOUNTING CHANNEL, STROBE POWER SUPPLY AND EMERGENCY LOCATOR TRANSMITTER							1	

GRUMMAN AMERICAN AVIATION
GA-7/COUGAR
ILLUSTRATED PARTS CATALOG

Figure & Index No.	Part Number	Nomenclature							Units Per Asy	Usable On Code
		1	2	3	4	5	6	7		
53-1 -		(ATTACHING PARTS)								
26	MS20470AD5	..RIVET.....							11	
27	901033	..EYEBOLT, TIEDOWN.....							1	
		(ATTACHING PARTS)								
- 28	AN960D516L	..WASHER, FLAT.....							2	
- 29	MS20364-524	..NUT, SELFLOCKING.....							1	
- 30	GS11E0108J15AE	..RADIUS BLOCK.....							1	
- 31	7B10501-5	..COVER ASSEMBLY.....							1	
		(ATTACHING PARTS)								
- 32	MS27039-1-08	..SCREW, MACHINE.....							8	
- 33	NAS686A3	..NUT, PLATE.....							8	
	MS20426AD3	..RIVET.....							16	
- 34	7B10501-3	..COVER ASSEMBLY.....							1	
		(ATTACHING PARTS)								
- 35	MS27039-1-08	..SCREW, MACHINE.....							14	
- 36	NAS686A3	..NUT, PLATE.....							14	
	MS20426AD3	..RIVET.....							28	
	7B10001-1	..BONDED ASSEMBLY, FUSELAGE.....							RF	
- 37	7CS10700-1	..DORSAL FIN INSTALLATION.....							1	
- 38	7CS10710-11	..NOSE, DORSAL FIN.....							1	
		(ATTACHING PARTS)								
- 39	MS24693S54	..SCREW, MACHINE.....							1	
	A3135-017-24A	..WASHER, COUNTERSUNK (66821).....							1	
	NAS43DD3-30	..SPACER.....							1	
	GNS12C08-075	..NUT, BLIND.....							1	
- 40	7B10800-3	..BONDED ASSEMBLY, TURTLEBACK.....							RF	
- 41	7B10000-13	..GUTTER, PASSENGER DOOR JAMB, AFT (MADE FROM..... 7BV11013-11)							1	
- 42	7B10900-3	..BONDED ASSEMBLY, CABIN OVERHEAD.....							RF	
- 43	7B10000-11	..GUTTER, PASSENGER DOOR JAMB, FWD (MADE FROM..... 7BV11013-11)							1	
- 44	7F10100-5	..INSTRUMENT PANEL INSTALLATION (SEE FIGURE..... 53-2 FOR DETAIL BREAKDOWN)							RF	
- 45	7B10200-1	..NOSE SECTION INSTALLATION (SEE FIGURE 53-3..... FOR DETAIL BREAKDOWN)							1	
	7BP10400-1	..NOSE CAP INSTALLATION.....							RF	
- 46	7BP10400-3	..NOSE CAP ASSEMBLY.....							1	
		(ATTACHING PARTS)								
- 47	MS24694-52	..SCREW, MACHINE.....							17	
- 48	A3235-028-24A	..WASHER, COUNTERSUNK (78553).....							17	
- 49	NAS680A3	..NUT, PLATE.....							17	
	MS20470AD3	..RIVET.....							34	
- 50	7BP10400-13	..SEALING STRIP.....							AR	
- 51	7B11400-1	..NOSE LANDING GEAR DOOR INSTALLATION, LH..... (SEE CHAPTER 32 FOR DETAIL BREAKDOWN)							1	
	7B11400-2	..NOSE LANDING GEAR DOOR INSTALLATION, RH..... (SEE CHAPTER 32 FOR DETAIL BREAKDOWN)							1	
- 52	7B10500-1	..BONDED ASSEMBLY, LOWER FUSELAGE (SEE..... INDEX NUMBER 36 FOR NHA)							RF	
- 53	7B10503-1	..BULKHEAD, FS 50.00.....							1	
	7B10503-3	..COVER INSTALLATION.....							RF	
- 54	7B10503-5	..COVER ASSEMBLY.....							2	

GRUMMAN AMERICAN AVIATION
GA-7/COUGAR
ILLUSTRATED PARTS CATALOG

Figure & Index No.	Part Number	Nomenclature 1 2 3 4 5 6 7	Units Per Assy	Usable On Code
53- 1		(ATTACHING PARTS)		
- 55	MS35207-266SCREW.....	12	
- 56	NAS680A3NUT, PLATE.....	12	
	1247-0306RIVET (19738).....	24	
	AS106D30-1SLEEVE.....	12	
	AP106D302-50PLUG.....	12	

- 57	7B10503-73SEAL.....	1	
- 58	7C10411-1BRACKET ASSEMBLY, BRAKE CYLINDER SUPPORT..... (SEE CHAPTER 32 FOR DETAIL BREAKDOWN)	4	
		(ATTACHING PARTS)		
- 59	MS20364-1032CNUT, SELFLOCKING.....	2	
- 60	AN960-10WASHER, FLAT.....	2	

- 61	GAES200-6STUD.....	26	
	GAES200-8CAP.....	26	
	1601-0410RIVET.....	50	
- 62	7C10450-11SUPPORT, RUDDER BARS (SEE CHAPTER 27 FOR..... DETAIL BREAKDOWN)	2	
		(ATTACHING PARTS)		
- 63	MS20364-1032CNUT, SELFLOCKING.....	4	
- 64	AN960-10WASHER, FLAT.....	4	

- 65	7C10351-1BRACKET ASSEMBLY (SEE CHAPTER 27 FOR..... DETAIL BREAKDOWN)	1	
		(ATTACHING PARTS)		
- 66	MS20364-1032CNUT, SELFLOCKING.....	2	
- 67	AN960-10WASHER, FLAT.....	2	

- 68	7C10250-1SUPPORT ASSEMBLY, CONTROL COLUMN (SEE..... CHAPTER 27 FOR DETAIL BREAKDOWN)	1	
		(ATTACHING PARTS)		
- 69	MS20364-1032CNUT, SELFLOCKING.....	8	
- 70	AN960-10WASHER.....	8	

- 71	7C10350-2BRACKET ASSEMBLY, BELLCRANK, LH (SEE..... CHAPTER 27 FOR DETAIL BREAKDOWN)	1	
- 72	7C10350-1BRACKET ASSEMBLY, BELLCRANK, RH (SEE..... CHAPTER 27 FOR DETAIL BREAKDOWN)	1	
		(ATTACHING PARTS FOR INDEX NUMBERS 71 AND 72)		
- 73	MS24694558SCREW.....	4	
- 74	AN960-10WASHER, FLAT.....	4	
- 75	MS20364-1032CNUT, SELFLOCKING.....	4	

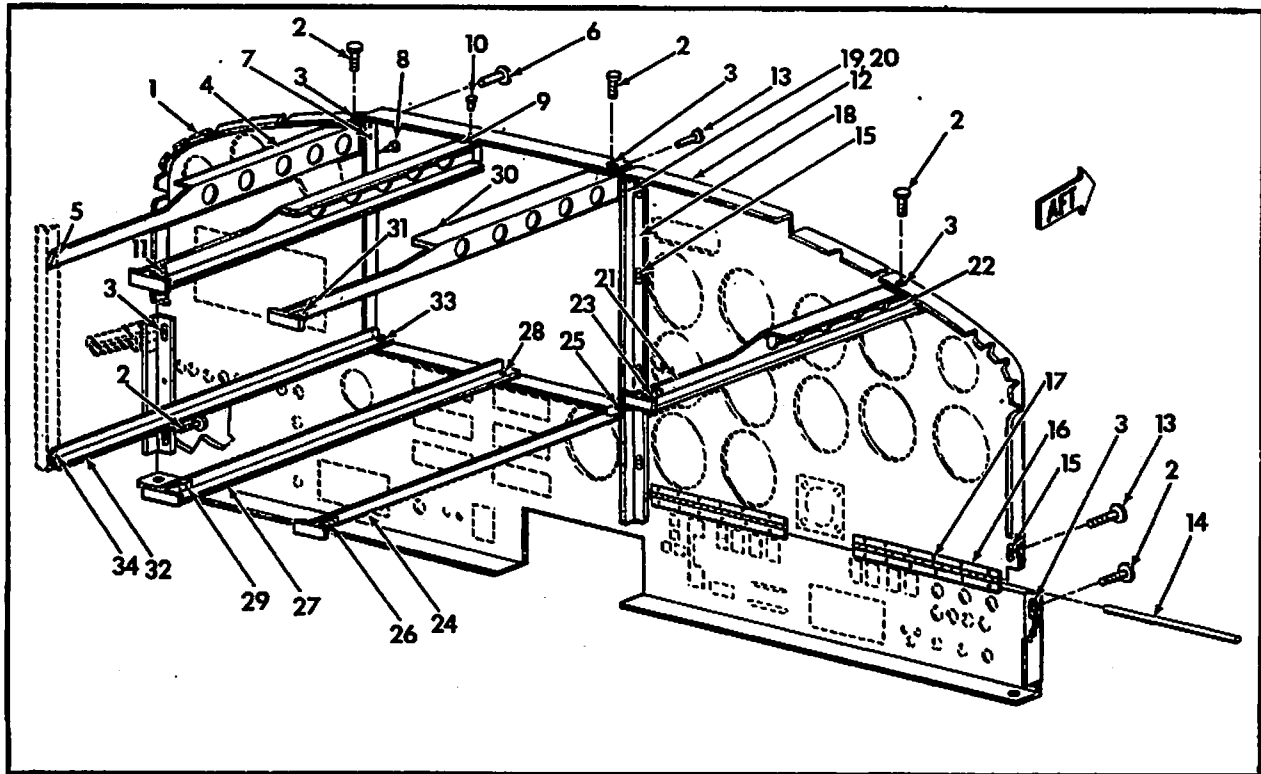
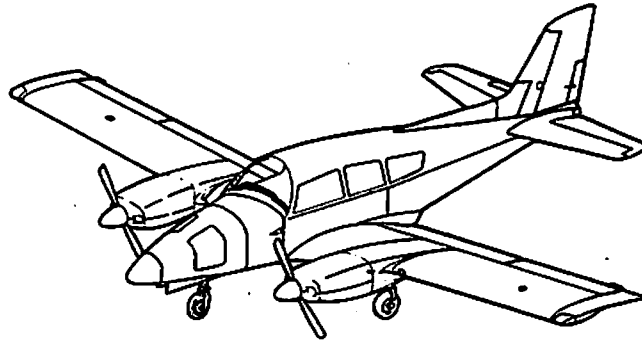
- 76	7BM11011-17HINGE HALF, PASSENGER DOOR, LOWER..... (ATTACHING PARTS)	1	
		(ATTACHING PARTS)		
- 77	GB511G4-14BOLT, PROTRUDING, TENSION HEAD.....	1	
	AN960-416WASHER, FLAT.....	1	
	MS20365-428NUT, SELFLOCKING.....	1	
- 78	GB511G4-18BOLT, PROTRUDING, TENSION HEAD.....	1	
	AN960-416WASHER, FLAT.....	1	
	MS20365-428NUT, SELFLOCKING.....	1	

- 79	7BM11011-17HINGE HALF.....	1	
		(ATTACHING PARTS)		
- 80	GB511G4-14BOLT, PROTRUDING, TENSION HEAD.....	1	
	AN960-416WASHER, FLAT.....	1	
	MS20365-428NUT, SELFLOCKING.....	1	
	7B10906-15SHIM.....	1	

GRUMMAN AMERICAN AVIATION
GA-7/COUGAR
ILLUSTRATED PARTS CATALOG

Figure & Index No.	Part Number	Nomenclature	Units							Usable On Code	
			1	2	3	4	5	6	7		
53- 1 - 81	7811302-1	.CATCH ASSEMBLY, PASSENGER DOOR, LOWER..... (ATTACHING PARTS)								1	
- 82	MS35207-261	.SCREW, MACHINE.....								3	
- 83	AN960D10L	.WASHER, FLAT.....								3	
- 84	78M11327-11	..SPROCKET..... (ATTACHING PARTS)								1	
- 85	MS16562-16	..ROLL PIN.....								1	
- 86	78M11328-11	..SHAFT, INNER.....								1	
- 87	78M11330-11	..SPRING, HELICAL COMPRESSION.....								1	
- 88	78M11329-11	..SHAFT, OUTER.....								1	
- 89	MS16562-16	..ROLL PIN.....								1	
- 90	78P10520-11	.HANDLE, BOARDING..... (ATTACHING PARTS)								1	
- 91	MS24621-60	.SCREW, MACHINE.....								2	
- 92	AN935-416	.WASHER, LOCK.....								2	
- 93	7810514-1	.STEP ASSEMBLY, BOARDING..... (ATTACHING PARTS)								1	
- 94	ANS-20A	.BOLT, AIRCRAFT.....								1	
- 95	AN960-516	.WASHER, FLAT.....								3	
- 96	MS20365-524	.NUT, SELFLOCKING.....								2	
- 97	ANS-13	.BOLT, AIRCRAFT.....								1	
- 98	AN960-516	.WASHER, FLAT.....								AR	
- 99	7811200-1	.BAGGAGE FLOOR INSTALLATION, AFT.....								RF	
-100	7811200-11	..FLOOR PANEL.....								1	
-100	7811200-23	..COVER PLATE, ACCESS ADF LOOP ANTENNA..... (ATTACHING PARTS)								1	
-101	MS35206-243	..SCREW.....								8	
-102	NAS680A08	..NUT, PLATE.....								8	
-103	NAS1097AD3	..RIVET.....								16	
-103	7811200-17	..COVER PLATE..... (ATTACHING PARTS)								1	
-104	1601-0410	..RIVET, BLIND (19738).....								8	
-105	7F10615-11	..BRACKET, AUXILIARY POWER RECEPTACLE..... (OPTIONAL)(SEE CHAPTER 24 FOR DETAIL BREAKDOWN) (ATTACHING PARTS)								1	
-106	MS20365-1032	..NUT, SELFLOCKING.....								6	
-107	AN960-10	..WASHER, FLAT.....								6	
-108	GAES200-6	..STUD.....								6	
-108	GAES200-8	..CAP.....								6	
-109	7F10612-5STRIKER BRACKET ASSEMBLY, DUAL WARNING UNIT MOUNTING (SEE CHAPTERS 27 AND 32 FOR DETAIL BREAKDOWN) (SEE INDEX NUMBER 53 FOR NHA)								1	
-110	MS21061-08NUT, ANCHOR.....								4	
-110	MS20426AD3RIVET.....								8	
-111	16-804023-509	..DOOR ASSEMBLY, ACCESS, AUXILIARY POWER..... RECEPTACLE (SEE CHAPTER 24 FOR DETAIL BREAKDOWN) (ATTACHING PARTS)								1	
-112	14-10109-4	..PIN, HINGE.....								1	
-113	7F10038-13	..PLACARD (SEE CHAPTER 11 FOR DETAILS).....								1	

GRUMMAN AMERICAN AVIATION
GA-7/COUGAR
ILLUSTRATED PARTS CATALOG



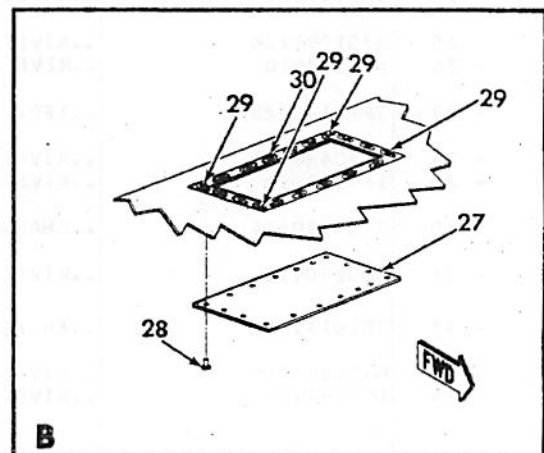
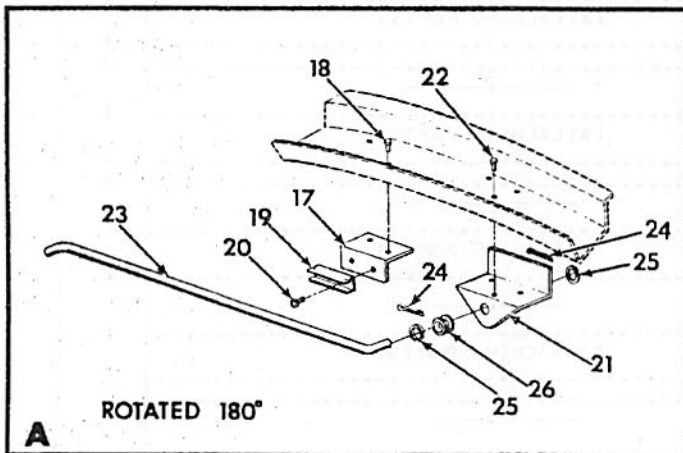
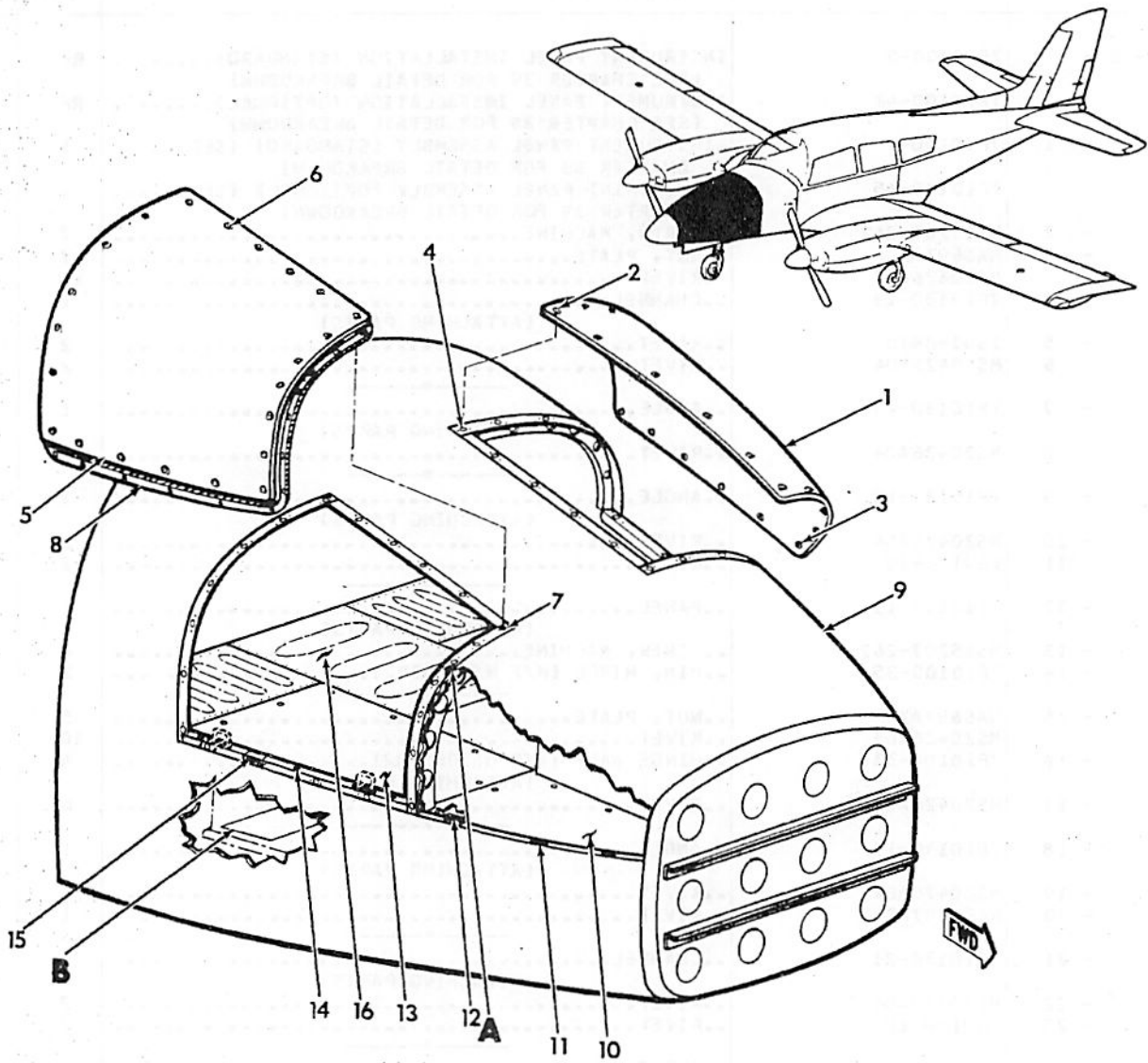
Instrument Panel Installation
 Figure 53-2

53-G74-02

GRUMMAN AMERICAN AVIATION
GA-7/COUGAR
ILLUSTRATED PARTS CATALOG

Figure & Index No.	Part Number	Nomenclature	Units Per Assy	Usable On Code
53- 2 -	7F10100-5	INSTRUMENT PANEL INSTALLATION (STANDARD).....	RF	
		(SEE CHAPTER 39 FOR DETAIL BREAKDOWN)		
	7F10100-43	INSTRUMENT PANEL INSTALLATION (OPTIONAL).....	RF	
		(SEE CHAPTER 39 FOR DETAIL BREAKDOWN)		
- 1	7F10100-7	INSTRUMENT PANEL ASSEMBLY (STANDARD) (SEE.....	1	
		CHAPTER 39 FOR DETAIL BREAKDOWN)		
	7F10100-45	INSTRUMENT PANEL ASSEMBLY (OPTIONAL) (SEE.....	1	
		CHAPTER 39 FOR DETAIL BREAKDOWN)		
- 2	MS35207-262	SCREW, MACHINE.....	7	
- 3	NAS697A3	NUT, PLATE.....	7	
	MS20426AD3	RIVET.....	14	
- 4	7F10130-13	CHANNEL.....	1	
		(ATTACHING PARTS)		
- 5	1601-0410	RIVET.....	2	
- 6	MS20426AD4	RIVET.....	2	
		-----*		
- 7	7F10130-23	ANGLE.....	1	
		(ATTACHING PARTS)		
- 8	MS20426AD4	RIVET.....	7	
		-----*		
- 9	7F10130-19	ANGLE.....	1	
		(ATTACHING PARTS)		
- 10	MS20426AD4	RIVET.....	2	
- 11	1601-0410	RIVET.....	2	
		-----*		
- 12	7F10100-11	PANEL.....	1	
		(ATTACHING PARTS)		
- 13	MS35207-262	SCREW, MACHINE.....	6	
- 14	7F10100-35	PIN, HINGE (M/F MS20253P2).....	2	
		-----*		
- 15	NAS697A3	NUT, PLATE.....	5	
	MS20426AD3	RIVET.....	10	
- 16	7F10100-33	HINGE HALF (P/F MS206S7H2).....	4	
		(ATTACHING PARTS)		
- 17	MS20426AD4	RIVET.....	6	
		-----*		
- 18	7F10130-17	ANGLE.....	1	
		(ATTACHING PARTS)		
- 19	MS20470AD4	RIVET.....	1	
- 20	NAS1097AD4	RIVET.....	1	
		-----*		
- 21	7F10130-21	CHANNEL.....	1	
		(ATTACHING PARTS)		
- 22	MS20470AD4-1	RIVET.....	2	
- 23	1601-0410	RIVET.....	2	
		-----*		
- 24	7F10130-15	ANGLE.....	1	
		(ATTACHING PARTS)		
- 25	NAS1097AD4	RIVET.....	3	
- 26	1601-0410	RIVET.....	2	
		-----*		
- 27	7F10130-25	TEE.....	1	
		(ATTACHING PARTS)		
- 28	MS20426AD4	RIVET.....	2	
- 29	1601-0410	RIVET.....	2	
		-----*		
- 30	7F10130-11	CHANNEL.....	1	
		(ATTACHING PARTS)		
- 31	1601-0410	RIVET.....	2	
		-----*		
- 32	7F10130-16	ANGLE.....	1	
		(ATTACHING PARTS)		
- 33	NAS1097AD4	RIVET.....	3	
- 34	1601-0410	RIVET.....	2	
		-----*		

GRUMMAN AMERICAN AVIATION
GA-7/COUGAR
ILLUSTRATED PARTS CATALOG



Nose Section Installation
 Figure 53-3

53G74-03

GRUMMAN AMERICAN AVIATION
GA-7/COUGAR
ILLUSTRATED PARTS CATALOG

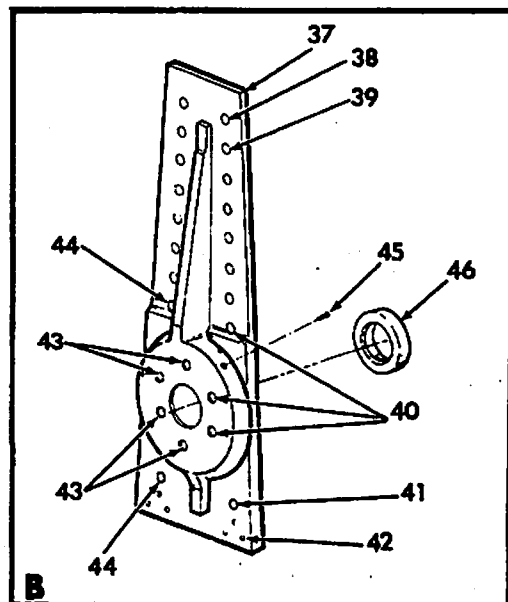
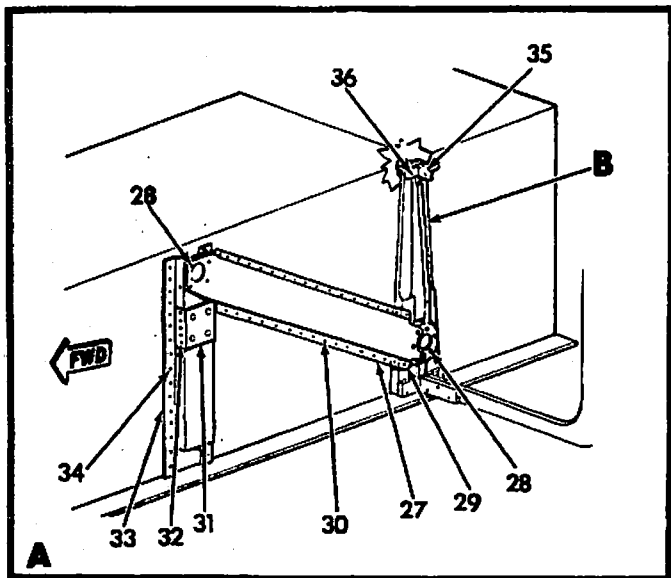
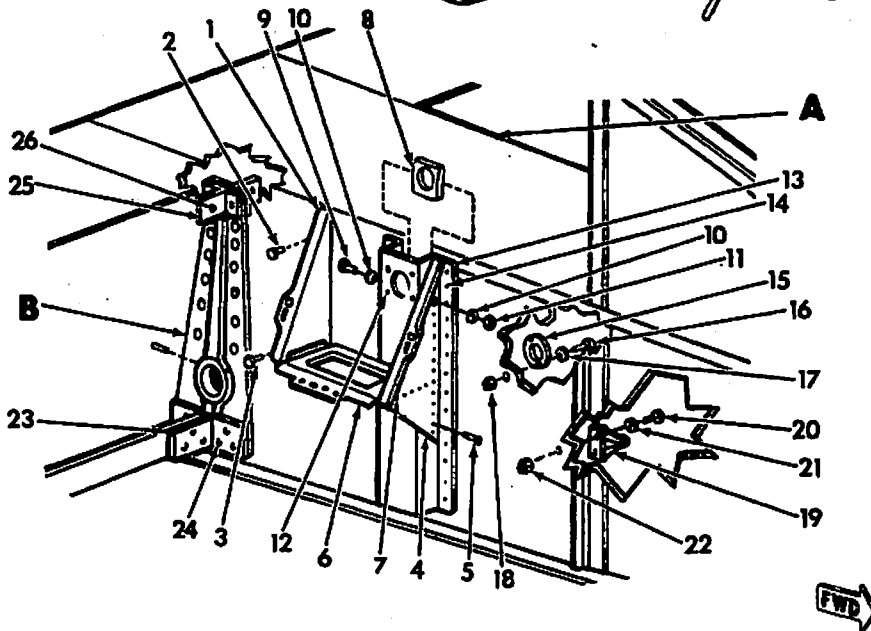
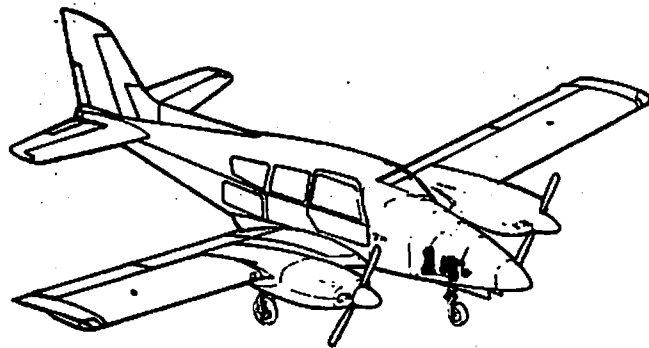
Figure & Index No.	Part Number	Nomenclature	Units	Usable On Code
			Per Assy	
		1 2 3 4 5 6 7		
53- 3 -	7810200-1-	NOSE SECTION INSTALLATION (SEE FIGURE 53-1..... FOR NHA)	RF	
- 1	7810200-43	.SKIN, COVER..... (ATTACHING PARTS)	1	
- 2	GS521B1	.STUD.....	19	
- 3	GS521B3	.STUD.....	2	
- 4	26R16-1 MS20426AD3	.RECEPTACLE..... .RIVET.....	21 42	
- 5	7810200-61	.COVER ASSEMBLY, FWD BATTERY COMPARTMENT..... (STANDARD)(SEE CHAPTER 52 FOR OPTIONAL DOOR DETAIL BREAKDOWN) (ATTACHING PARTS)	1	
- 6	GS521B1	.STUD.....	16	
- 7	26R16-1 MS20426AD3	.RECEPTACLE..... .RIVET.....	16 32	
- 8	4516	.SEAL (04963).....	AR	
- 9	7810200-3 7810200-5 7810209-1 7810209-3	.BONDED ASSEMBLY..... .NOSE ASSEMBLY, MECHANICAL..... ..FLOOR INSTALLATION, BAGGAGE (OPTIONAL)..... ..WEB INSTALLATION (OPTIONAL).....	1 RF RF	
- 10	7810209-9 7810209-10	..WEB ASSEMBLY, LH..... ..WEB ASSEMBLY, RH..... (ATTACHING PARTS)	1 1	
- 11	GS520E6-25 GR540E6C GS580DA6-15 MS20426AD3STUD.....RETAINING RING.....SPRING.....RIVET.....	7 7 7 14	
- 12	4516-62FOAM TAPE (04963).....	AR	
- 13	7810209-5 7810209-7WEB ASSEMBLY, LH.....WEB ASSEMBLY, RH..... (ATTACHING PARTS)	1 1	
- 14	GS520F6-25 GR540E6C GS580DA6-15 MS20426AD3STUD.....RETAINING RING.....SPRING.....RIVET.....	8 8 8 16	
- 15	4516-62FOAM TAPE (04963).....	AR	
- 16	7810204-1 7810204-2 7810210-1	..BFAM ASSEMBLY, WHEEL WELL, LH (SEE FIGURE..... 53-4 FOR DETAIL BREAKDOWN) ..BEAM ASSEMBLY, WHEEL WELL, RH (SEE FIGURE..... 53-4 FOR DETAIL BREAKDOWN) .STOP INSTALLATION, FWD BAGGAGE DOOR..... (OPTIONAL)(SEE CHAPTER 52 FOR DOOR DETAILS)	1 1 RF	
- 17	7810210-3 7810210-13	..STOP ASSEMBLY, FWD BAGGAGE DOOR..... ..BRACKET..... (ATTACHING PARTS)	1 1	
- 18	MS20470AD3	..RIVET.....	2	
- 19	MS17160-15	..CLIP..... (ATTACHING PARTS)	1	
- 20	MS20470AD2	..RIVET.....	2	
- 21	7810210-15	..BRACKET..... (ATTACHING PARTS)	1	
- 22	MS35270AD4	..RIVET.....	3	

GRUMMAN AMERICAN AVIATION
GA-7/COUGAR
ILLUSTRATED PARTS CATALOG

Figure & Index No.	Part Number	Nomenclature							Units Per Assy	Usable On Code
		1	2	3	4	5	6	7		
53- 3 - 23	7810210-11	..ROD.....							1	
		(ATTACHING PARTS)								
- 24	MS24665-132	..PIN, COTTER.....							2	
- 25	AN960C10	..WASHER, FLAT.....							2	

- 26	MS35489-4	..GROMMET.....							1	
- 27	7810200-105	..PANEL, ACCESS, BOBWEIGHT.....							1	
		(ATTACHING PARTS)								
- 28	MS35207-263	..SCREW.....							18	
- 29	MS21071L3	..NUT, PLATE.....							4	
- 30	MS21069L3	..NUT, PLATE.....							14	
	MS20426A03	..RIVET.....							28	

GRUMMAN AMERICAN AVIATION
GA-7/COUGAR
ILLUSTRATED PARTS CATALOG



Wheel Well Beam Assembly Left Hand and Right Hand
 Figure 53-4

63G74-04

GRUMMAN AMERICAN AVIATION
GA-7/COUGAR
ILLUSTRATED PARTS CATALOG

Figure & Index No.	Part Number	Nomenclature							Units Per Assy	Usable On Code
		1	2	3	4	5	6	7		
53- 4 -	7B10204-1	BEAM ASSEMBLY, WHEEL WELL, LH (SEE FIGURE..... 53-3 FOR NHA)							RF	
	7B10204-2	BEAM ASSEMBLY, WHEEL WELL, RH (SEE FIGURE..... 53-3 FOR NHA)							RF	
- 1	7B10204-17	.SUPPORT ASSEMBLY, BATTERY HOLDER..... (ATTACHING PARTS)							1	
- 2	MS20470AD4	.RIVET.....							15	
- 3	MS20470AD5	.RIVET.....							1	
- 4	7B10204-19	.SUPPORT ASSEMBLY, BATTERY HOLDER..... (ATTACHING PARTS)							1	
- 5	MS20470AD5	.RIVET.....							9	
- 6	7B10204-15	.TRAY, BATTERY HOLDER..... (ATTACHING PARTS)							1	
- 7	MS20470AD4	.RIVET.....							14	
- 8	7BM10208-11	.FITTING, NLG DRAG BRACE SUPPORT..... (ATTACHING PARTS)							2	
- 9	AN3-25A	.BOLT, AIRCRAFT.....							1	
- 10	AN960D10	.WASHER, FLAT.....							2	
- 11	MS20364-1032	.NUT, SELFLOCKING.....							4	
- 12	HL8PB6-16	.BOLT, PROTRUDING, SHEAR HEAD.....							4	
	HL70-6	.COLLAR.....							4	
- 13	7B10204-32	.HAT..... (ATTACHING PARTS)							1	
- 14	MS20470AD5	.RIVET.....							28	
- 15	7B10204-25	.SOCKET..... (ATTACHING PARTS)							2	
- 16	AN3-4A	.BOLT, AIRCRAFT.....							2	
- 17	AN960-10L	.WASHER, FLAT.....							2	
- 18	MS21042L3	.NUT, SELFLOCKING.....							2	
- 19	7L10238-1	.STOP ASSEMBLY, LH, NLG DOOR CLOSING..... MECHANISM							1	
	7L10238-2	.STOP ASSEMBLY, RH, NLG DOOR CLOSING..... MECHANISM (ATTACHING PARTS)							1	
- 20	AN3-4A	.BOLT, AIRCRAFT.....							2	
- 21	AN960-10L	.WASHER, FLAT.....							2	
- 22	MS21042L3	.NUT, SELFLOCKING.....							2	
- 23	7B10204-91	.TEE..... (ATTACHING PARTS)							2	
- 24	HL18PB6-7	.BOLT, PROTRUDING, SHEAR HEAD.....							6	
	HL70-6	.COLLAR.....							6	
- 25	7B10204-89	.TEE..... (ATTACHING PARTS)							2	
- 26	HL18PB6-5	.BOLT, PROTRUDING, SHEAR HEAD.....							2	
	HL70-6	.COLLAR.....							2	
- 27	7B10205-13	.COMPRESSION BRACE, NLG, LH..... (ATTACHING PARTS)							1	
- 28	HL18PB6-17	.BOLT, PROTRUDING, SHEAR HEAD.....							8	
- 29	HL18PB6-7	.BOLT, PROTRUDING, SHEAR HEAD.....							2	
	HL70-6	.COLLAR.....							6	

GRUMMAN AMERICAN AVIATION
GA-7/COUGAR
ILLUSTRATED PARTS CATALOG

Figure & Index No.	Part Number	Nomenclature							Units Per Assy	Usable On Code
		1	2	3	4	5	6	7		
53- 4 - 30	MS20470AD5	.RIVET.....							28	
- 31	7B10204-35	.CHANNEL..... (ATTACHING PARTS)							1	
- 32	MS20470AD5	.RIVET.....							10	
- 33	7B10204-31	.HAT..... (ATTACHING PARTS)							1	
- 34	MS20470AD5	.RIVET.....							28	
- 35	7B10204-89	.TEE..... (ATTACHING PARTS)							2	
- 36	HL18PB6-4 HL70-6	.BOLT, PROTRUDING, SHEAR HEAD..... .COLLAR.....							2 2	
- 37	7MM10301-11 7MM10301-15	.FITTING, NLG PIVOT..... .FITTING, NLG PIVOT..... (ATTACHING PARTS)							2 2	*
- 38	HL18PB6-5	.BOLT, PROTRUDING, SHEAR HEAD.....							2	
- 39	HL18PB6-4	.BOLT, PROTRUDING, SHEAR HEAD.....							12	
- 40	HL18PB6-16	.BOLT, PROTRUDING, SHEAR HEAD.....							3	
- 41	HL18PB6-6	.BOLT, PROTRUDING, SHEAR HEAD.....							1	
- 42	HL18PB6-7	.BOLT, PROTRUDING, SHEAR HEAD.....							6	
- 43	HL18PB6-17 HL18PB6-16	.BOLT, PROTRUDING, SHEAR HEAD, LH..... .BOLT, PROTRUDING, SHEAR HEAD, RH.....							4 4	
- 44	HL18PB6-7 HL18PB6-6 HL70-6	.BOLT, PROTRUDING, SHEAR HEAD, LH..... .BOLT, PROTRUDING, SHEAR HEAD, RH..... .COLLAR.....							2 2 30	
- 45	NAS516-1	.FITTING, LUBRICATION.....							2	
- 46	MS21155S16	.BEARING.....							1	

GRUMMAN AMERICAN AVIATION
GA-7/COUGAR
ILLUSTRATED PARTS CATALOG

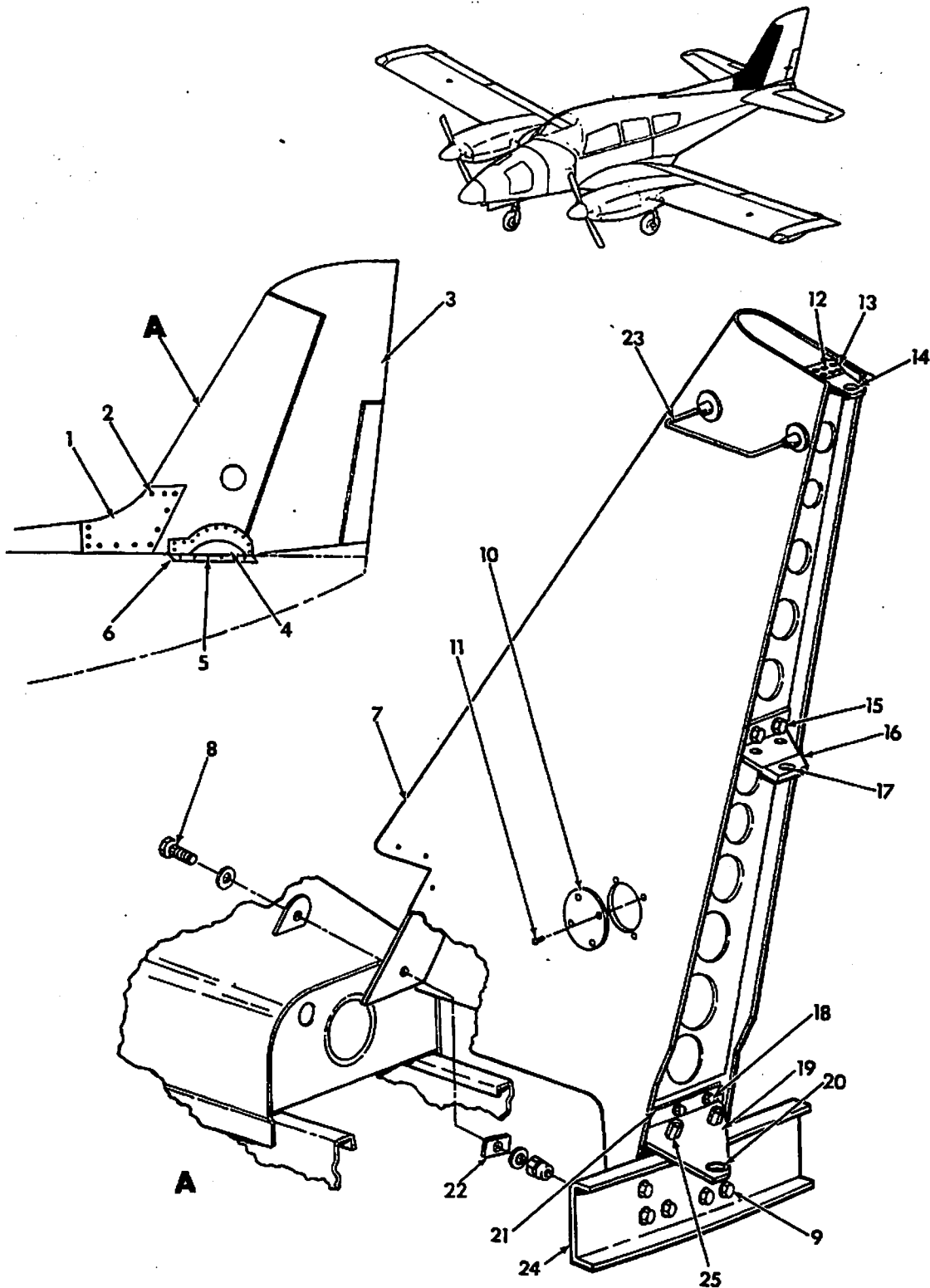
CHAPTER 55

STABILIZERS

TABLE OF CONTENTS

<u>SUBJECT</u>	<u>FIGURE NUMBER</u>
VERTICAL TAIL INSTALLATION	55-1
HORIZONTAL TAIL INSTALLATION	55-2

GRUMMAN AMERICAN AVIATION
GA-7/COUGAR
ILLUSTRATED PARTS CATALOG



Vertical Tail Installation
Figure 55-1

55G74-01

GRUMMAN AMERICAN AVIATION

GA-7/COUGAR

ILLUSTRATED PARTS CATALOG

Figure & Index No.	Part Number	Nomenclature 1 2 3 4 5 6 7	Units Per Assy	Usable On Code
55- 1 -	7CS10300-1	VERTICAL TAIL INSTALLATION.....	RF	
- 1	7CS10700-13	.SKIN, PLASTIC, DORSAL FIN..... (ATTACHING PARTS)	1	
- 2	MS2469454 A3135-017-24A RMS2LHA4972-6-82	.SCREW..... .WASHER (66821)..... .CLIP NUT (72962).....	18 18 18	
- 3	7CS10500-1	.RUDDER ASSEMBLY (SEE CHAPTER 27 FOR DETAIL..... BREAKDOWN)	RF	
	7B10810-3	.COVER ASSEMBLY, AFT FUSELAGE, LH.....	1	
	7B10810-4	.COVER ASSEMBLY, AFT FUSELAGE, RH.....	1	
- 4	7B10810-11 7B10810-17 7B10810-12 7B10810-18	.COVER, LH, METAL..... .COVER, LH, PLASTIC..... .COVER, RH, METAL..... .COVER, RH, PLASTIC..... (ATTACHING PARTS)	1 1 1 1	* *
- 5	MS35206-245 MS24693S50 A3135-017-24A GMS12C08-075	.SCREW..... .SCREW..... .WASHER (66821)..... .NUT, BLIND.....	18 18 18 18	* *
- 6	7B10810-19	.SEAL.....	1	
- 7	7CS10400-1	.FIN ASSEMBLY..... (ATTACHING PARTS)	1	
- 8	AN4-7A AN960-416 MS20364-428	.BOLT, AIRCRAFT..... .WASHER, FLAT (ONE UNDER HEAD, ONE UNDER NUT) .NUT.....	1 2 1	
- 9	AN5-10A AN960-516 MS20364-524	.BOLT, AIRCRAFT..... .WASHER, FLAT (ONE UNDER HEAD, ONE UNDER NUT)..... .NUT.....	10 20 10	
- 10	5202034-4	.COVER ACCESS, RUDDER TRIM TAB ACTUATOR..... SUPPORT (ATTACHING PARTS)	1	
- 11	MS35206-245	.SCREW.....	4	
	7CS10524-5	.BRACKET ASSEMBLY, RUDDER HINGE..... (ATTACHING PARTS)	1	
- 12	MS24694-50	.SCREW.....	6	
- 13	7CS10425-15	.BRACKET.....	1	
- 14	MS27641-4 7CS10425-3	.BEARING..... .BRACKET ASSEMBLY, RUDDER HINGE (ATTACHING PARTS)	1 1 1	
- 15	AN4-7A AN960-416L	.BOLT, AIRCRAFT..... .WASHER, FLAT.....	4 4	
- 16	7CS10425-13	.BRACKET.....	1	
- 17	MS27641-4 7CS10425-1	.BEARING..... .BRACKET ASSEMBLY, RUDDER HINGE (ATTACHING PARTS)	1 1 1	
- 18	AN4-7A AN960-416L MS20365-428	.BOLT, AIRCRAFT..... .WASHER, FLAT (ONE UNDER HEAD, ONE UNDER NUT) .NUT.....	6 12 6	
- 19	7CS10425-11	.BRACKET.....	1	
- 20	MS27641-4	.BEARING.....	1	
- 21	6S120203C412A	.SHIM.....	1	

GRUMMAN AMERICAN AVIATION
GA-7/COUGAR
ILLUSTRATED PARTS CATALOG

Figure & Index No.	Part Number	Nomenclature							Units Per Assy	Usable On Code
		1	2	3	4	5	6	7		
55- 1 - 22 - 23 - 24 - 25	7CS10300-11	.SHIM.....							2	
	7AV10707-1	.ANTENNA, VOR NAVIGATION (SEE CHAPTER 34 FOR... DETAIL BREAKDOWN)							RF	
	7CS102111-1	.SPLICE MEMBER (SEE FIGURE 55-2 FOR BREAK-... DOWN)							RF	
	7CM10414-13	ECCENTRIC, RUDDER STOP (SEE CHAPTER 27 FOR... DETAIL BREAKDOWN)							RF	

GRUMMAN AMERICAN AVIATION
GA-7/COUGAR
ILLUSTRATED PARTS CATALOG

Figure & Index No.	Part Number	Nomenclature	Units Per Assy	Usable On Code
55- 2 - - 1 - 2 - 3 - 4 - 5 - 6 - 7 - 8 - 9 - 10 - 11 - 12 - 13 - 14 - 15 - 16 - 17 - 18 - 19	7CS10000-1	HORIZONTAL TAIL INSTALLATION.....	1	
	7CS10100-1	.HORIZONTAL STABILIZER ASSEMBLY, LH.....	1	
	7CS10100-2	.HORIZONTAL STABILIZER ASSEMBLY, RH..... (ATTACHING PARTS)	1	
	AN4-7A	.BOLT, AIRCRAFT.....	1	
	AN960D416	.WASHER, FLAT (ONE UNDER HEAD, ONE UNDER NUT)	2	
	MS21042L4	.NUT.....	1	
	AN6-11A	.BOLT, AIRCRAFT.....	2	
	AN960D616	.WASHER, FLAT.....	2	
	MS21042L6	.NUT.....	2	
	7CS10000-15	.SHIM.....	1	
	7C10305-7	.STOP ASSEMBLY, LH (SEE CHAPTER 27 FOR..... DETAIL BREAKDOWN)	RF	
	7C10305-8	.STOP ASSEMBLY, RH (SEE CHAPTER 27 FOR..... DETAIL BREAKDOWN)	RF	
	7CS10111-1	.SPLICE MEMBER..... (ATTACHING PARTS)	1	
	AN5-7A	.BOLT, AIRCRAFT.....	8	
	AN960D516	.WASHER, FLAT.....	8	
	7CS10103-1	.BRACKET ASSEMBLY, HINGE, ELEVATOR..... (ATTACHING PARTS)	1	
	AN4-6A	.BOLT, AIRCRAFT.....	4	
	AN960D416L	.WASHER, FLAT.....	4	
	7CS10103-11	.BRACKET.....	1	
MS27641-4	.BEARING.....	1		
7CS10103-3	.BRACKET ASSEMBLY, HINGE, ELEVATOR..... (ATTACHING PARTS)	1		
AN4-6A	.BOLT, AIRCRAFT.....	4		
AN960D416	.WASHER, FLAT.....	4		
MS27641-4	.BEARING.....	1		
7CS10103-13	.BRACKET.....	1		
7CS10103-5	.BRACKET ASSEMBLY, HINGE, ELEVATOR..... (ATTACHING PARTS)	1		
MS24694S52	.SCREW.....	4		
MS27641-4	.BEARING.....	1		
7CS10303-15	.BRACKET.....	1		
5202034-4	.COVER, ACCESS (USED ON PART NUMBER..... 7CS10100-2 RH STABILIZER ONLY) (ATTACHING PARTS)	1		
MS35206-245	.SCREW.....	4		
7CS10000-11	.SEAL, EPDM RUBBER, SHAPE 53760 (75345).....	2		

GRUMMAN AMERICAN AVIATION
GA-7/COUGAR
ILLUSTRATED PARTS CATALOG

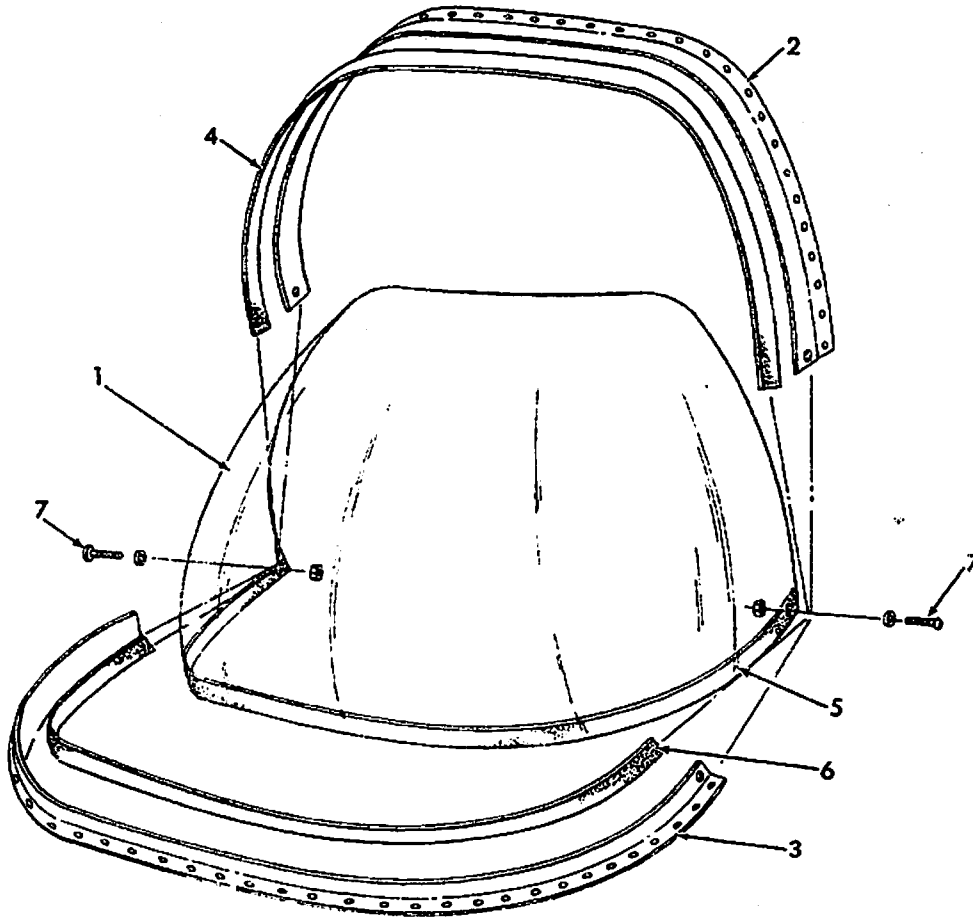
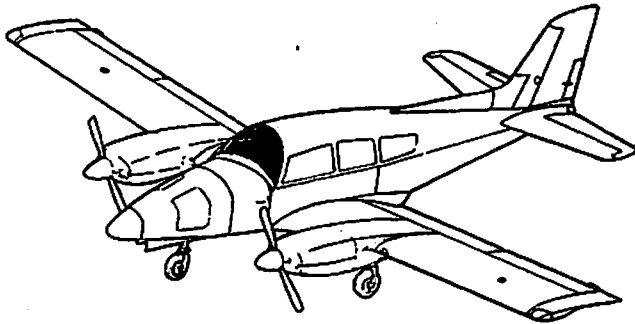
CHAPTER 56

WINDOWS

TABLE OF CONTENTS

<u>SUBJECT</u>	<u>FIGURE NUMBER</u>
WINDSHIELD INSTALLATION	56-1
CABIN OVERHEAD INSTALLATION	56-2
EMERGENCY EXIT WINDOW INSTALLATION	56-3
AFT WINDOW	56-4
PASSENGER DOOR WINDOW	56-5

GRUMMAN AMERICAN AVIATION
GA-7/COUGAR
ILLUSTRATED PARTS CATALOG



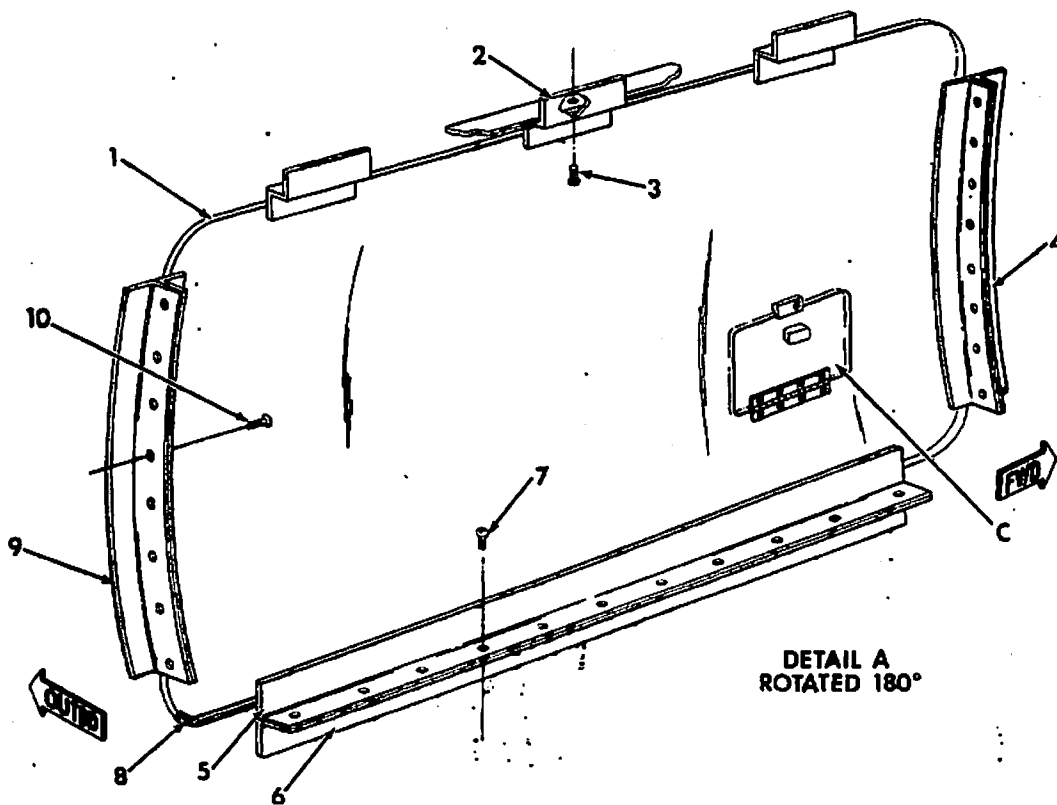
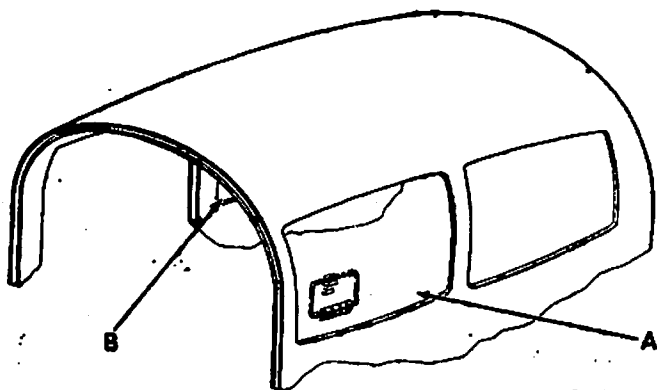
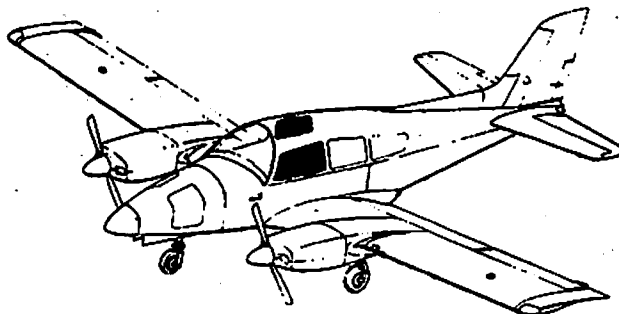
Windshield Installation
Figure 56-1

66G74-01

GRUMMAN AMERICAN AVIATION
GA-7/COUGAR
ILLUSTRATED PARTS CATALOG

Figure & Index No.	Part Number	Nomenclature							Units Per Assy	Usable On Code	
		1	2	3	4	5	6	7			
56- 1 -	7810908-1	WINDSHIELD INSTALLATION.....							1		
	- 1	7810908-15	.WINDSHIELD, CLEAR.....							1	
		7810908-23	.WINDSHIELD, TINTED (OPTIONAL).....							1	
	- 2	7810908-11	.RETAINER, UPPER.....							1	
	- 3	7810908-13	.RETAINER, LOWER.....							1	
	- 4	7810908-17	.SEAL, UPPER.....							1	
	- 5	7810908-21	.SEAL, LOWER.....							1	
	- 6	7810908-19	.SEAL, LOWER.....							1	
			(ATTACHING PARTS FOR INDEX NUMBERS 2,3,4,5 AND 6)								
	- 7	AN525-10R1	.SCREW.....							2	
	AN960PD10L	.WASHER, FLAT.....							2		
	MS20365-1032	.NUT.....							2		

GRUMMAN AMERICAN AVIATION
GA-7/COUGAR
ILLUSTRATED PARTS CATALOG



Cabin Window Installation
 Figure 56-2 (Sheet 1 of 2)

58G74-02-1

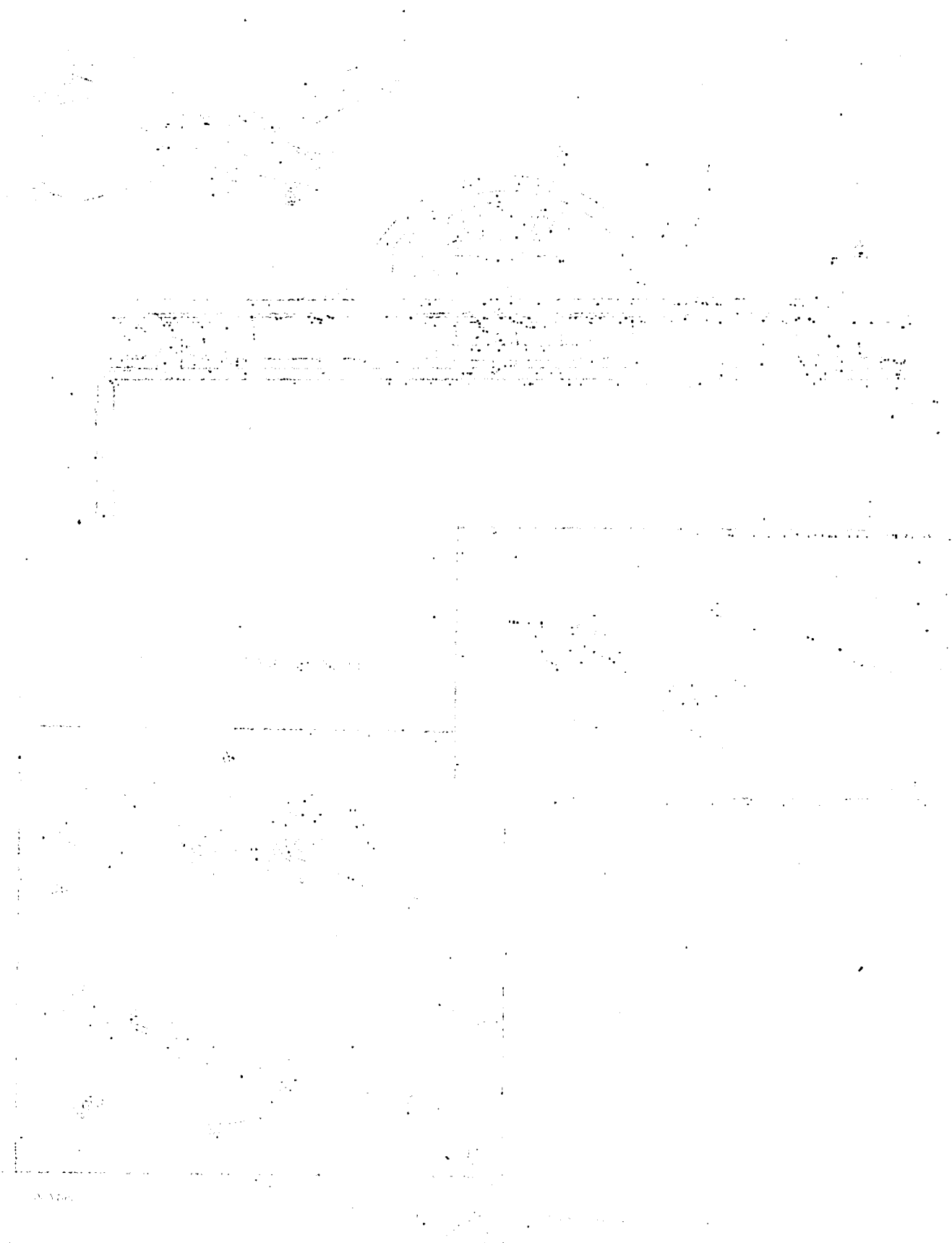
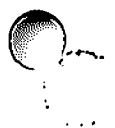
GRUMMAN AMERICAN AVIATION

GA-7/COUGAR

ILLUSTRATED PARTS CATALOG

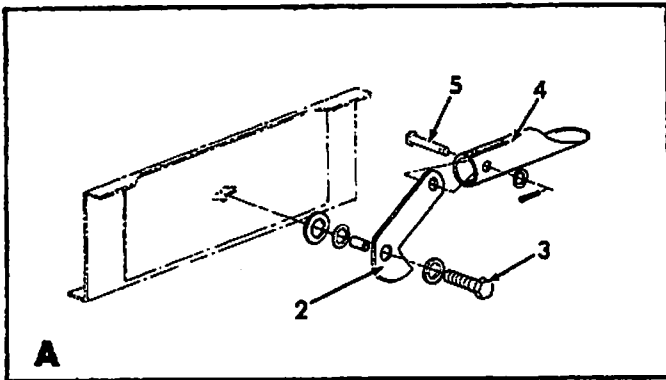
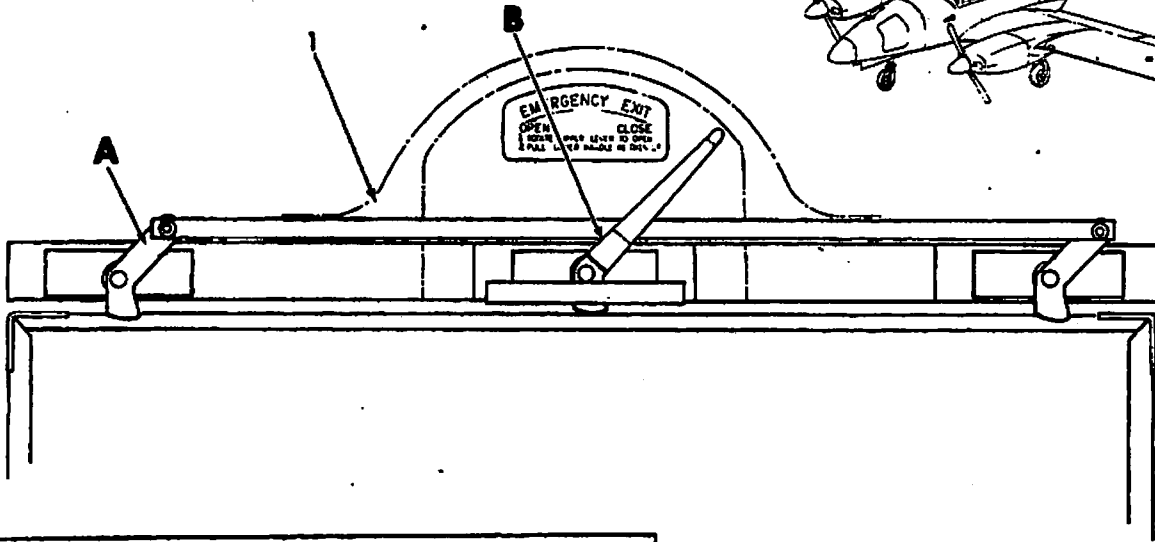
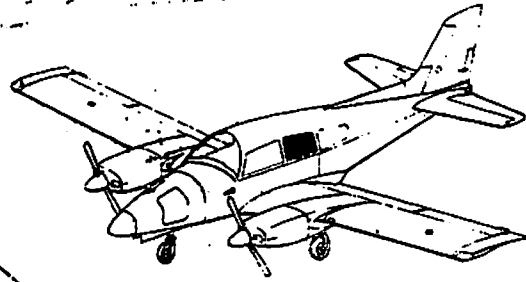
Figure & Index No.	Part Number	Nomenclature 1 2 3 4 5 6 7	Units Per Assy	Usable On Code
56- 2 -	7B10900-1	CABIN OVERHEAD INSTALLATION.....	RF	
- 1	7B10907-1	.WINDOW ASSEMBLY, LH, FORWARD (STANDARD).....	1	
	7B10907-3	.WINDOW ASSEMBLY, LH, FORWARD (OPTIONAL).....	1	
- 2	7B10904-15	.RETAINER.....	3	
		(ATTACHING PARTS)		
- 3	GAES1021A64	.SCREW.....	3	
		-----*		
- 4	7B10900-81	.RETAINER.....	1	
- 5	7B10904-13	.RETAINER.....	1	
- 6	7B10904-11	.RETAINER.....	1	
		(ATTACHING PARTS)		
- 7	GAES1021A64	.SCREW.....	10	
		-----*		
- 8	4516	.SEAL (04963).....	AR	
- 9	7B10904-21	.RETAINER.....	1	
		(ATTACHING PARTS)		
- 10	GAES1021A64	.SCREW.....	6	
		-----*		
- 11	7B10905-12	.WINDOW, RH MIDDLE (STANDARD).....	1	
	7B10905-14	.WINDOW, RH MIDDLE (OPTIONAL).....	1	
- 12	7B10904-15	.RETAINER.....	3	
		(ATTACHING PARTS)		
- 13	GAES1021A64	.SCREW.....	3	
		-----*		
- 14	7B10904-26	.RETAINER.....	1	
- 15	7B10904-28	.RETAINER.....	1	
		(ATTACHING PARTS)		
- 16	GAES1021A64	.SCREW.....	6	
		-----*		
- 17	7B10904-11	.RETAINER.....	1	
- 18	7B10904-13	.RETAINER.....	1	
		(ATTACHING PARTS)		
- 19	GAES1021A64	.SCREW.....	10	
		-----*		
- 20	7B10904-18	.RETAINER.....	1	
- 21	7B10904-20	.RETAINER.....	1	
		(ATTACHING PARTS)		
- 22	GAES1021A64	.SCREW.....	5	
		-----*		
	7B10907-5	..WINDOW ASSEMBLY, DIRECT VISION (STANDARD).....	1	
	7B10907-7	..WINDOW ASSEMBLY, DIRECT VISION (OPTIONAL).....	1	
- 23	7B10919-11	..CATCH, DIRECT VISION WINDOW.....	1	
		(ATTACHING PARTS)		
- 24	D366	..SCREW, MACHINE (STIMPSON CO.).....	1	
- 25	D4023X5/8	..POST, INTERNALLY THREADED.....	1	
		-----*		
- 26	4108	...SEAL (04963).....	AR	
- 27	7B10907-15	...WINDOW, DIRECT VISION (STANDARD).....	1	
	7B10907-17	...WINDOW, DIRECT VISION (OPTIONAL).....	1	
- 28	7B10907-19	...KNCB.....	1	
- 29	SJ8054X	...SEALANT TAPE (04963).....	AR	
- 30	7B10907-27	..HINGE.....	1	
		(ATTACHING PARTS)		
- 31	D366	..SCREW, MACHINE (STIMPSON CO.).....	8	
- 32	7B10907-25	..POST, INTERNALLY THREADED.....	8	
		-----*		
- 33	7B10907-23	..SPACER.....	1	
- 34	7B10907-11	..WINDOW (STANDARD).....	1	
	7B10907-12	..WINDOW (OPTIONAL).....	1	

SECRET
NOFORN
CONFIDENTIAL

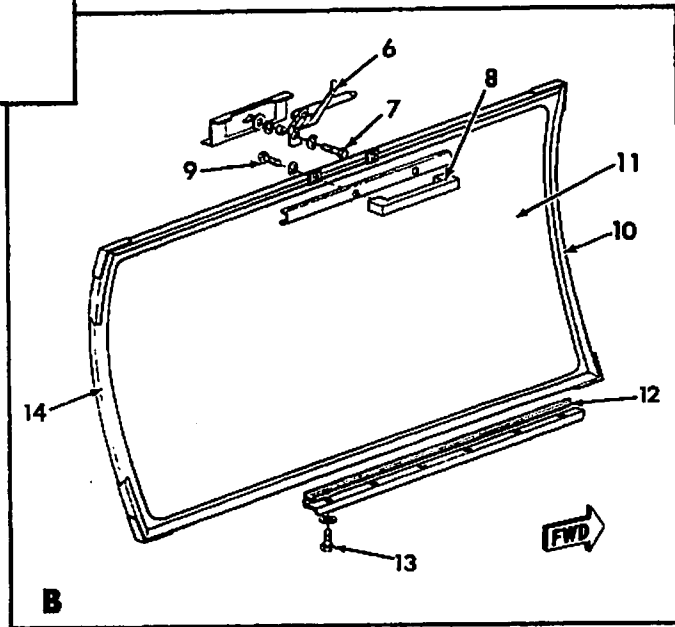


SECRET
NOFORN
CONFIDENTIAL

GRUMMAN AMERICAN AVIATION
GA-7/COUGAR
ILLUSTRATED PARTS CATALOG



ROTATED 180°



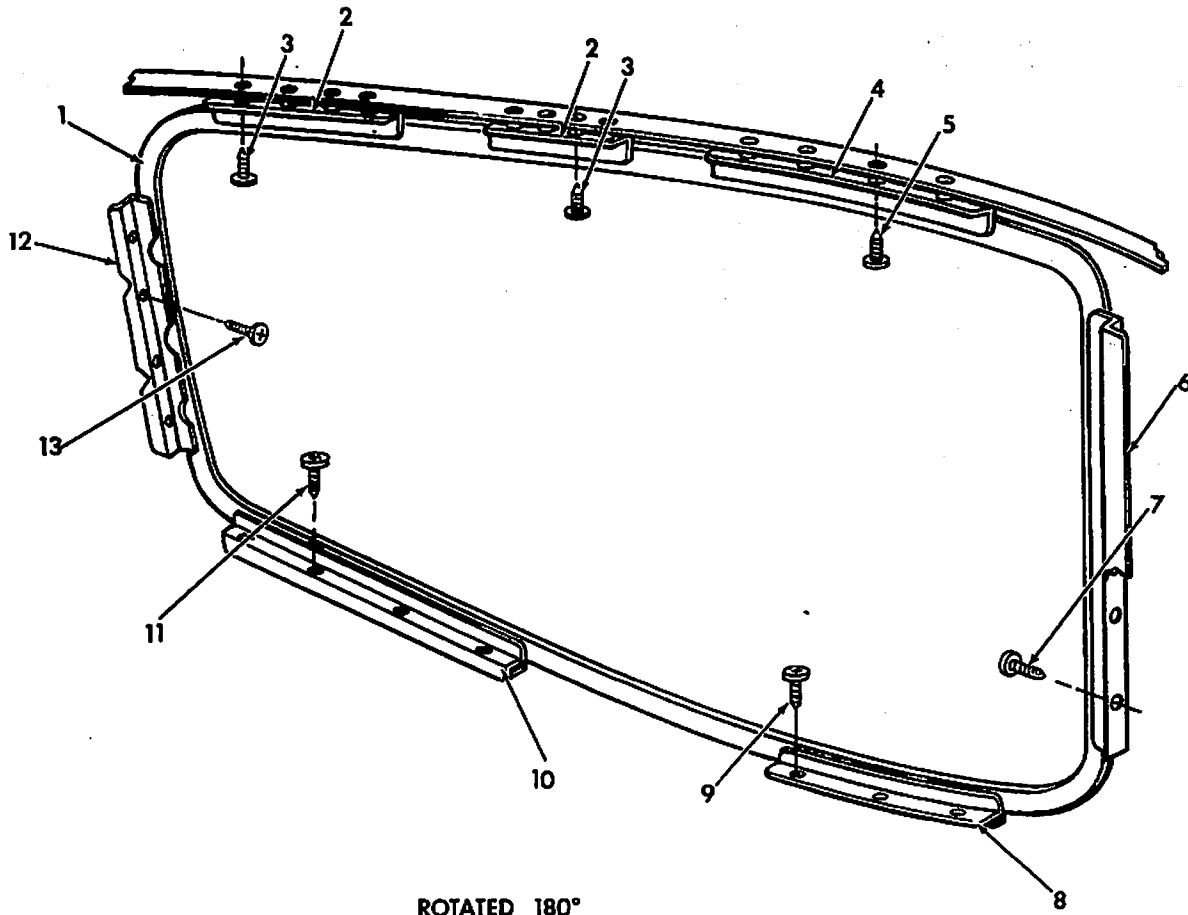
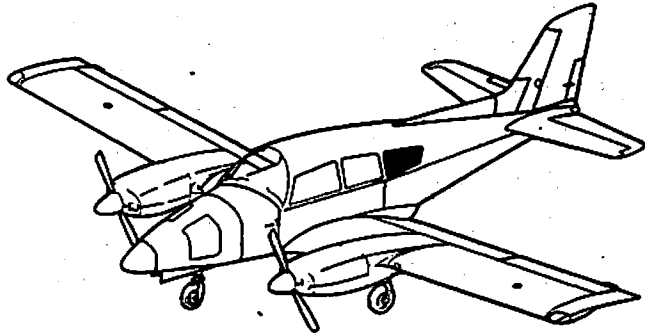
Emergency Exit Window Installation
 Figure 56-3

56G74-03

GRUMMAN AMERICAN AVIATION
GA-7/COUGAR
ILLUSTRATED PARTS CATALOG

Figure & Index No.	Part Number	Nomenclature							Units Per Assy	Usable On Code
		1	2	3	4	5	6	7		
56- 3 - 1	7B10921-1	WINDOW INSTALLATION, EMERGENCY EXIT (SEE..... CHAPTER 53 FOR NHA 7B10000)							RF	
- 2	7B10923-19	.LATCH..... (ATTACHING PARTS)							2	
- 3	AN3-5A AN960-10L 7B10923-25 AN970-3 7B10923-17	.BOLT, AIRCRAFT..... .WASHER, LOCK..... .BUSHING..... .WASHER, FLAT..... .SHIM.....							1 1 1 1 1	
- 4	7B10923-13	.CONNECTOR..... (ATTACHING PARTS)							1	
- 5	MS20392-2C17 AN960PD10L MS24665-132	.PIN, HEADED..... .WASHER, FLAT..... .PIN, COTTER.....							3 3 3	
- 6	7B10923-5	.HANDLE ASSEMBLY..... (ATTACHING PARTS)							1	
- 7	AN3-5A AN960-10L 7B10923-25 AN970-3 7B10923-17	.BOLT, AIRCRAFT..... .WASHER, LOCK..... .BUSHING..... .WASHER, FLAT..... .SHIM.....							1 1 1 1 1	
- 8	7B10921-15	.HANDLE (03007)..... (ATTACHING PARTS)							1	
- 9	MS35206-263 MS35333-39	.SCREW..... .WASHER, LOCK.....							2 2	
- 10	7B10922-1	.WINDOW ASSEMBLY, EMERGENCY EXIT.....							1	
- 11	7B10922-11	.WINDOW, CLEAR (STANDARD).....							1	
- 12	7B10922-25 7B10923-1	.WINDOW, TINTED (OPTIONAL)..... .RETAINER ASSEMBLY..... (ATTACHING PARTS)							1 1	
- 13	MS35206-243 MS35333-38	.SCREW..... .WASHER, LOCK.....							5 5	
- 14	NO NUMBER	.SEAL, 40SDH NEOPRENE, RUBBERCRAFT PART 1155.... (83478)							AR	

GRUMMAN AMERICAN AVIATION
GA-7/COUGAR
ILLUSTRATED PARTS CATALOG



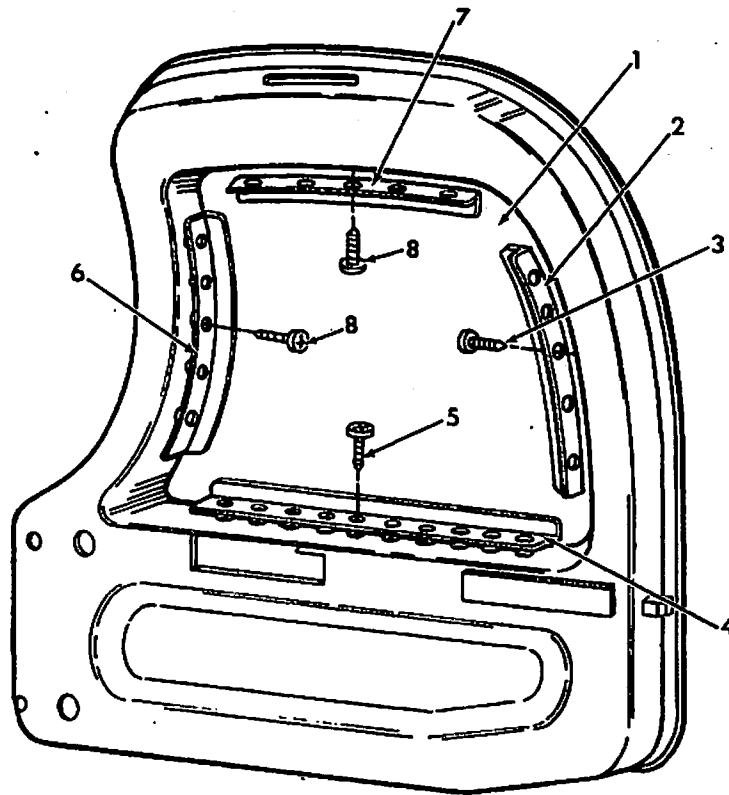
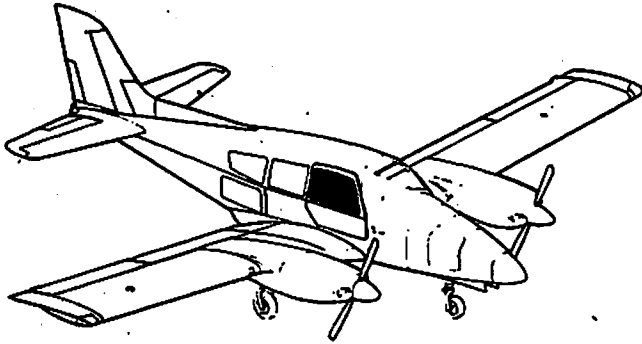
Left Hand and Right Hand Aft Side Window
Figure 56-4

56G74-04

GRUMMAN AMERICAN AVIATION
GA-7/COUGAR
ILLUSTRATED PARTS CATALOG

Figure & Index No.	Part Number	Nomenclature	Units	Usable On Code	
			Per Assy		
		1 2 3 4 5 6 7			
56- 4 - 1	7810809-11	WINDOW, LH SIDE, AFT, CLEAR (STANDARD).....	1		
	7810809-13	WINDOW, LH SIDE, AFT, TINTED (OPTIONAL).....	1		
	7810809-12	WINDOW, RH SIDE, AFT, CLEAR (STANDARD).....	1		
	7810809-14	WINDOW, RH SIDE, AFT, TINTED (OPTIONAL).....	1		
	- 2	7810808-29	.RETAINER, LH AND RH..... (ATTACHING PARTS)	2	
	- 3	GAES1021A64	.SCREW.....	2	
	- 4	7810808-13	.RETAINER, LH AND RH..... (ATTACHING PARTS)	1	
	- 5	GAES1021A64	.SCREW.....	3	
	- 6	7810808-11	.RETAINER, LH SIDE.....	1	
		7810808-12	.RETAINER, RH SIDE..... (ATTACHING PARTS)	1	
	- 7	GAES1021A64	.SCREW.....	4	
	- 8	7810808-19	.RETAINER, LH AND RH..... (ATTACHING PARTS)	1	
	- 9	GAES1021A64	.SCREW.....	3	
- 10	7810808-17	.RETAINER, LH AND RH..... (ATTACHING PARTS)	1		
- 11	GAES1021A64	.SCREW.....	4		
- 12	7810808-15	.RETAINER, LH SIDE.....	1		
	7810808-16	.RETAINER, RH SIDE..... (ATTACHING PARTS)	1		
- 13	GAES1021A64	.SCREW.....	4		

GRUMMAN AMERICAN AVIATION
GA-7/COUGAR
ILLUSTRATED PARTS CATALOG



ROTATED 180°

Passenger Door Window
Figure 56-5

56G7-05

GRUMMAN AMERICAN AVIATION
GA-7/COUGAR
ILLUSTRATED PARTS CATALOG

Figure & Index No.	Part Number	Nomenclature							Units Per Assy	Usable On Code	
		1	2	3	4	5	6	7			
56- 5 - 1	7811001-21	WINDOW, PASSENGER DOOR, CLEAR (STANDARD).....							1		
		(SEE CHAPTER 52 FOR NHA)									
	7811001-29	WINDOW, PASSENGER DOOR, TINTED (OPTIONAL).....							1		
		(SEE CHAPTER 52 FOR NHA)									
	- 2	7811001-35	.RETAINER.....							1	
			(ATTACHING PARTS)								
	- 3	GAES1021A8-68	.SCREW.....							6	
			-----*								
- 4	7811001-37	.RETAINER.....							1		
		(ATTACHING PARTS)									
- 5	GAES1021A8-68	.SCREW.....							10		
		-----*									
- 6	7811001-39	.RETAINER.....							1		
- 7	7811001-41	.RETAINER.....							1		
		(ATTACHING PARTS FOR INDEX NUMBERS 6 AND 7)									
- 8	GAES1021A8-68	.SCREW.....							5		
		-----*									

FEDERAL BUREAU OF INVESTIGATION
 U. S. DEPARTMENT OF JUSTICE
 WASHINGTON, D. C. 20535

Date	Description	Amount	Balance
	100.00	
	100.00	
	200.00	
	300.00	
	400.00	
	500.00	
	600.00	
	700.00	
	800.00	
	900.00	
	1000.00	

GRUMMAN AMERICAN AVIATION
GA-7/COUGAR
ILLUSTRATED PARTS CATALOG

CHAPTER 57

WINGS

TABLE OF CONTENTS

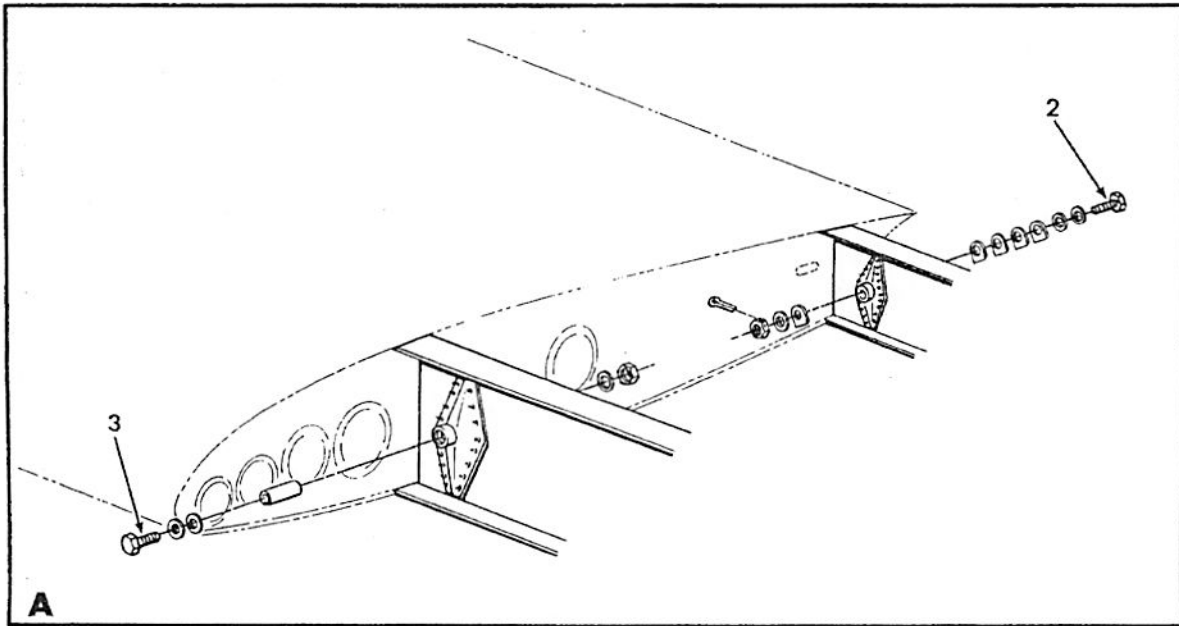
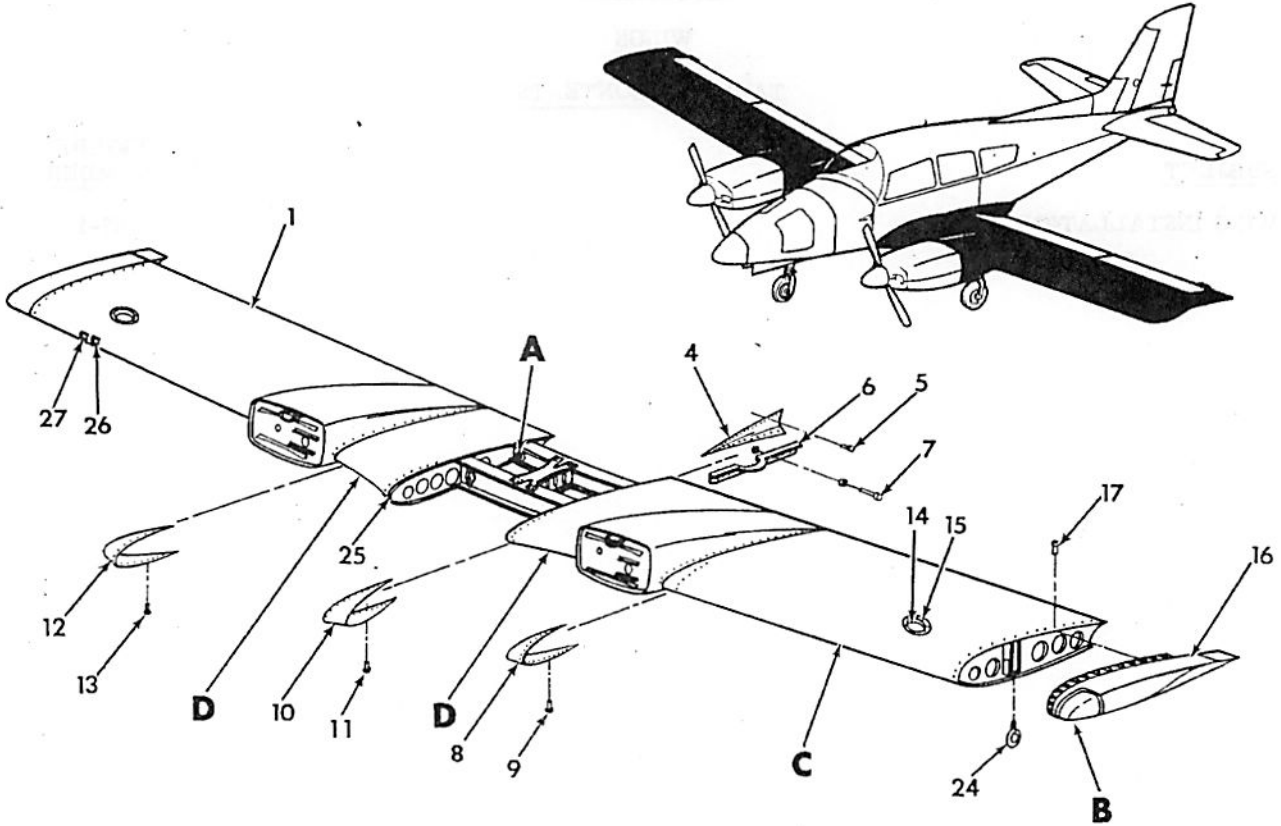
SUBJECT

WING INSTALLATION

FIGURE
NUMBER

57-1

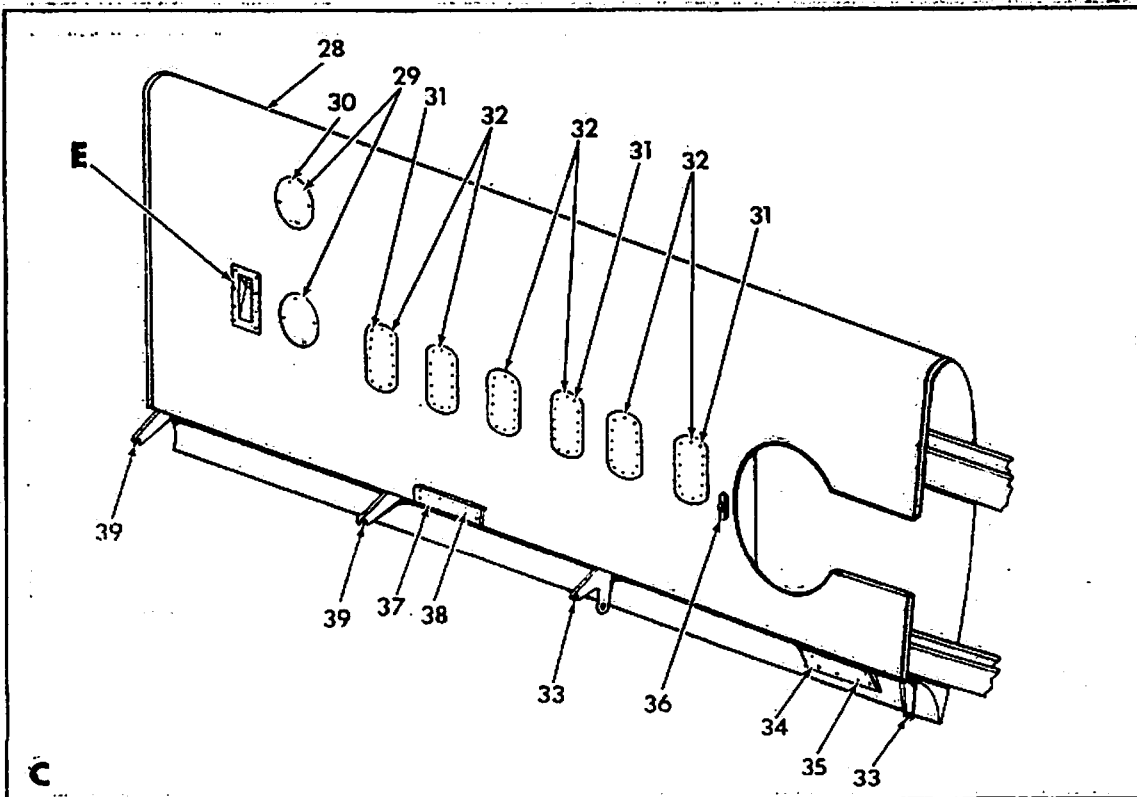
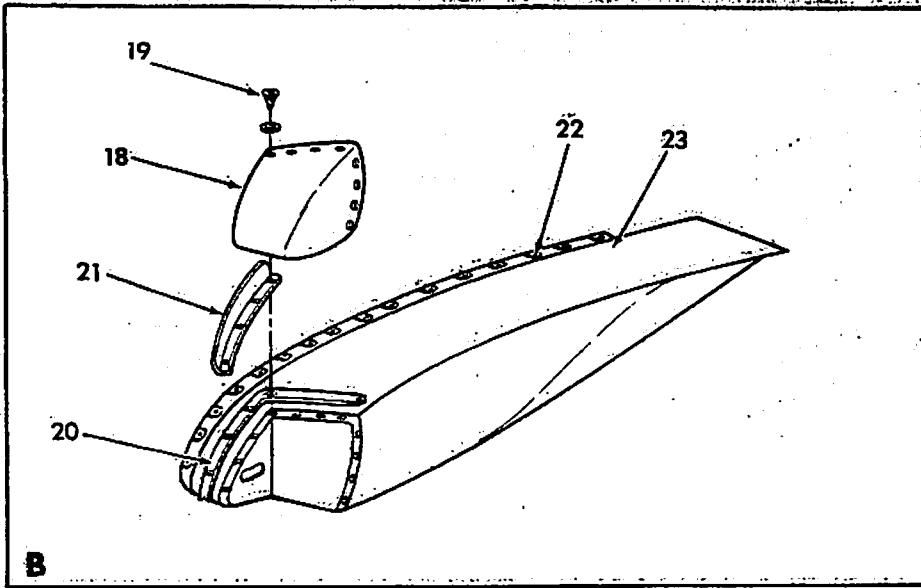
GRUMMAN AMERICAN AVIATION
GA-7/COUGAR
ILLUSTRATED PARTS CATALOG



Wing Installation
 Figure 57-1 (Sheet 1 of 4)

57G74-01-1

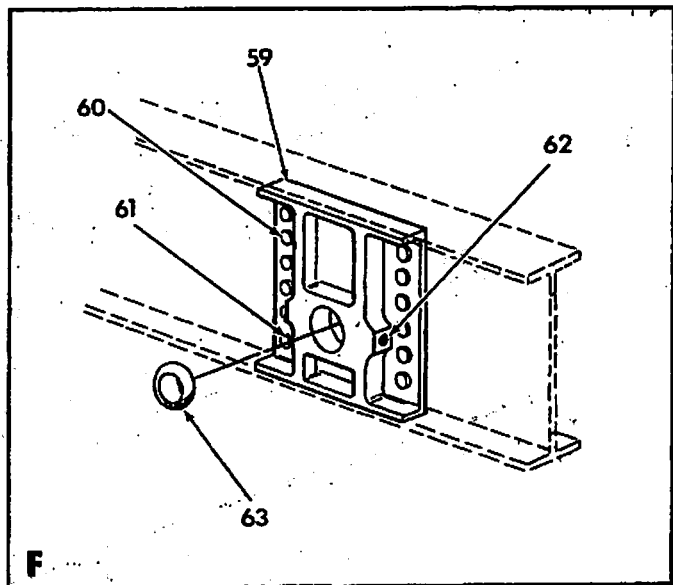
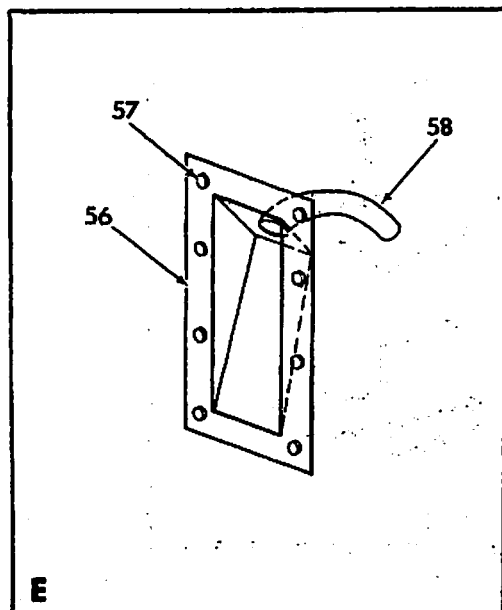
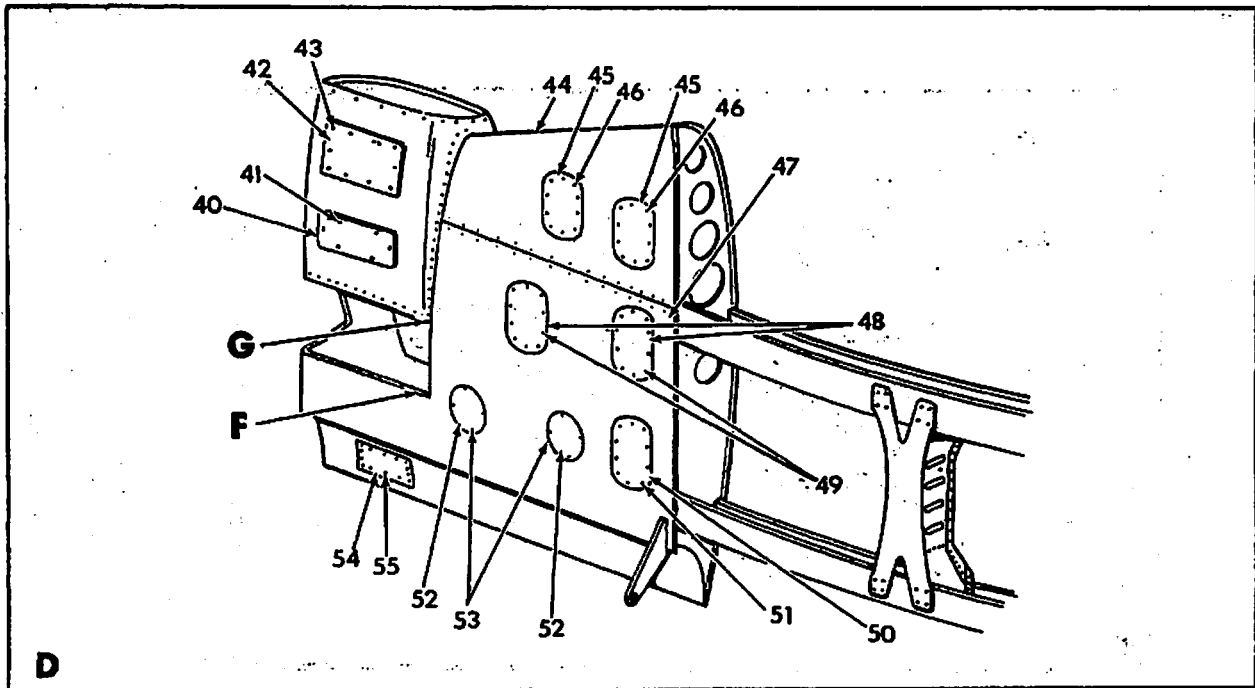
GRUMMAN AMERICAN AVIATION
GA-7/COUGAR
ILLUSTRATED PARTS CATALOG



Wing Installation
 Figure 57-1 (Sheet 2 of 4)

57G74-01-2

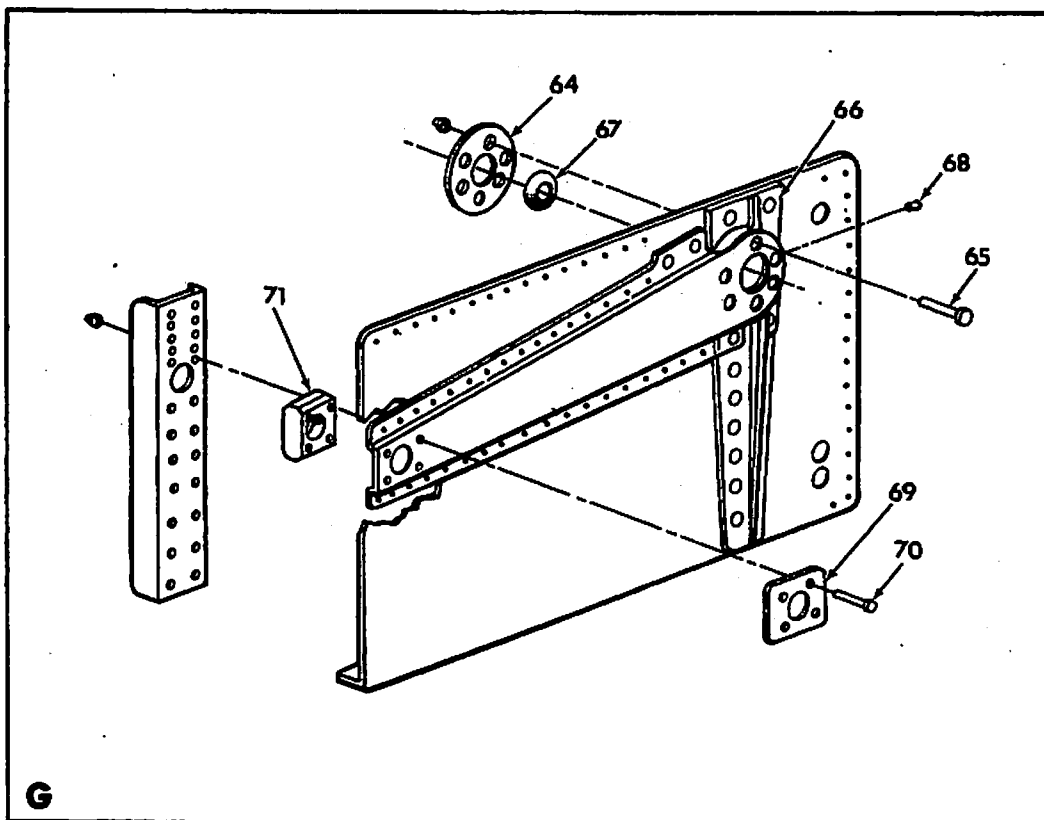
GRUMMAN AMERICAN AVIATION
GA-7/COUGAR
ILLUSTRATED PARTS CATALOG



Wing Installation
 Figure 57-1 (Sheet 3 of 4)

57G74-01-3

GRUMMAN AMERICAN AVIATION
GA-7/COUGAR
ILLUSTRATED PARTS CATALOG



Wing Installation
Figure 57-1 (Sheet 4 of 4)

57G74-01-4

GRUMMAN AMERICAN AVIATION
GA-7/COUGAR
ILLUSTRATED PARTS CATALOG

Figure & Index No.	Part Number	Nomenclature	Units	Usable On Code
			Per Assy	
		1 2 3 4 5 6 7		
57-1 -	7W10000-1	WING INSTALLATION.....	RF	
- 1	7W10100-1	WING ASSEMBLY.....	1	
		(ATTACHING PARTS)		
- 2	NAS464-8-66	BOLT, AIRCRAFT.....	2	
	AN960-816	WASHER, FLAT.....	4	
	7W10239-13	SPACER.....	6	
	7W10239-11	SPACER.....	4	
	AN960-816L	WASHER, FLAT.....	2	
	AN320-8	NUT, CASTELLATED.....	2	
	MS24665-289	PIN, COTTER.....	2	
- 3	NASSLA70	BOLT, AIRCRAFT.....	2	
	7W10000-13	WASHER, FLAT (MAKE FROM AN970-3).....	4	
	7W10209-11	BUSHING.....	2	
	AN960-516L	WASHER, FLAT.....	2	
	MS20364-524	NUT, SELFLOCKING.....	2	
- 4	7W10501-3	FAIRING ASSEMBLY, AFT WING ROOT, LH.....	1	
	7W10501-4	FAIRING ASSEMBLY, AFT WING ROOT, RH.....	1	
		(ATTACHING PARTS)		
- 5	1604-0412	RIVET (19738).....	60	
- 6	7W10501-17	COVER, LOWER WING ROOT, AFT, LH.....	1	
	7W10501-18	COVER, LOWER WING ROOT, AFT, RH.....	1	
		(ATTACHING PARTS)		
- 7	MS35207-261	SCREW, MACHINE.....	7	
	AN960-10L	WASHER, FLAT.....	7	
	GN512C3-080	NUT, BLIND.....	7	
- 8	7W10503-11	FAIRING, NACELLE, WING, OUTBOARD, LH.....	1	
	7W10503-12	FAIRING, NACELLE, WING, OUTBOARD, RH.....	1	
		(ATTACHING PARTS)		
- 9	1604-0412	RIVET (19738).....	39	
- 10	7W10504-11	FAIRING, WING LE, ROOT, LH.....	1	
	7W10504-12	FAIRING, WING LE, ROOT, RH.....	1	
		(ATTACHING PARTS)		
- 11	1604-0412	RIVET (19738).....	31	
- 12	7W10502-11	FAIRING NACELLE, WING, INBOARD LE, LH.....	1	
	7W10502-12	FAIRING, NACELLE, WING, INBOARD LE, RH.....	1	
		(ATTACHING PARTS)		
- 13	1604-0412	RIVET (19738).....	40	
- 14	46-612	CAP AND ADAPTER ASSEMBLY, FUEL (99321) (SEE.... CHAPTER 28 FOR DETAIL BREAKDOWN)	2	
		(ATTACHING PARTS)		
- 15	MS24694S51	SCREW, MACHINE.....	12	
	NAS1473A3	NUT, SELFLOCKING, CAPPED.....	12	
- 16	7W10701-1	WING TIP ASSEMBLY, LH (SEE ALSO CHAPTER 33)....	1	
		WING TIP ASSEMBLY, RH (SEE ALSO CHAPTER 33)....	1	
		(ATTACHING PARTS)		
- 17	MS24694S6	SCREW, MACHINE.....	30	
- 18	7W10701-15	LENS, LH.....	1	
	7W10701-16	LENS, RF.....	1	
		(ATTACHING PARTS)		
- 19	MS24694S6	SCREW, MACHINE.....	14	
	A3135-017-24A	WASHER (78553).....	14	

GRUMMAN AMERICAN AVIATION
GA-7/COUGAR
ILLUSTRATED PARTS CATALOG

Figure & Index No.	Part Number	Nomenclature	Units Per Assy	Usable On Code
57- 1 - 19	NAS1329A08-75	..RIVNUT.....	14	
- 20	4516	..VINYL FOAM TAPE (C4963).....	AR	
- 21	7W10701-19	..SHIELD, GLARE, LH.....	1	
	7W10701-20	..SHIELD, GLARE, RH.....	1	
- 22	RM52LHA4972-6-82	..NUT, CLIP (72962).....	30	
- 23	7W10701-3	..SKIN ASSEMBLY, WING TIP, LH.....	1	
	7W10701-4	..SKIN ASSEMBLY, WING TIP, RH.....	1	
- 24	12-901033-1	..EYELET, TIEDOWN.....	2	
- 25	7W10000-11	..SEAL, WING TO FUSELAGE, LH (MAKE FROM..... 7WV10238)	1	
	7W10000-12	..SEAL, WING TO FUSELAGE, RH (MAKE FROM..... 7WV10238)	1	
- 26	NO NUMBER	..LIFT DETECTOR TYPE 186, INBOARD (USED ON..... RIGHT WING ONLY) (SEE CHAPTER 27 FOR DETAIL BREAKDOWN)	1	
- 27	13-901043-504	..LIFT DETECTOR TYPE 164, OUTBOARD (USED ON..... (RIGHT WING ONLY) (SEE CHAPTER 27 FOR DETAIL BREAKDOWN)	1	
- 28	7W10400-1	..WING ASSEMBLY, OUTBOARD, LH (SEE INDEX..... NUMBER 1 FOR NHA)	1	
	7W10400-2	..WING ASSEMBLY, OUTBOARD, RH (SEE INDEX..... NUMBER 1 FOR NHA)	1	
- 29	5202034-4	..COVER..... (ATTACHING PARTS)	2	
- 30	MS35206-745 NAS683A08	..SCREW, MACHINE..... ..NUT, PLATE.....	4 4	
- 31	7W10404-15	..COVER, FUEL TANK..... (ATTACHING PARTS)	6	
- 32	MS24693S51 Z2NA1K3-02	..SCREW, MACHINE..... ..NUT, PLATE.....	16 16	
- 33	MS27641-4	..BEARING, FLAP PIVOT.....	3	
- 34	7W10208-15	..COVER..... (ATTACHING PARTS)	1	
- 35	1611-041)	..RIVET (19738).....	14	
- 36	F391-53S	..DRAIN VALVE (26580).....	1	
- 37	7W10407-17	..COVER..... (ATTACHING PARTS)	1	
- 38	NAS220-5 NAS682A09	..SCREW, MACHINE..... ..NUT, PLATE.....	11 11	
- 39	MS27641-4 7W10207-1	..BEARING, AILFRON PIVOT..... ..SKIN ASSEMBLY, NACELLE, LOWER, LH.....	2 RF	
	7W10207-2	..SKIN ASSEMBLY, NACELLE, LOWER, RH.....	RF	
- 40	7W10207-21	..COVER..... (ATTACHING PARTS)	1	
- 41	MS35207-243 NAS680A09	..SCREW, MACHINE..... ..NUT, PLATE.....	6 6	
- 42	7W10207-25	..COVER..... (ATTACHING PARTS)	1	
- 43	GS520A3 GS5JOC1 GR54OC1 GR520A16 40R8-16-1	..STUD, TURNLOCK FASTENER..... ..SPACER..... ..RETAINING RING..... ..RECEPTACLE, TURNLOCK FASTENER..... ..SLIM, RECEPTACLE.....	10 10 10 10 10	

GRUMMAN AMERICAN AVIATION
GA-7/COUGAR
ILLUSTRATED PARTS CATALOG

Figure & Index No.	Part Number	Nomenclature	Units Per Assy	Usable On Code
57- 1 - 44	7W10200-1	...WING ASSEMBLY, INBOARD.....	1	
	7W10203-1	...SKIN, INBOARD WING, FORWARD, LH.....	RF	
	7W10203-2	...SKIN, INBOARD WING, FORWARD, RH.....	RF	
- 45	7W10205-27	...COVER.....	2	
		(ATTACHING PARTS)		
- 46	MS24694C3	...SCREW, MACHINE.....	10	
	NAS681A3	...NUT, PLATE.....	10	
		-----*		
- 47	7W10205-1	...SKIN ASSEMBLY, WING, MID BOTTOM, LH.....	1	
	7W10205-2	...SKIN ASSEMBLY, WING, MID BOTTOM, RH.....	1	
- 48	7W10205-33	...COVER.....	2	
		(ATTACHING PARTS)		
- 49	NAS221-6	...SCREW, MACHINE.....	20	
	NAS686A3	...NUT, PLATE.....	20	
		-----*		
	7W10205-3	...COVER ASSEMBLY, LH.....	1	
	7W10205-4	...COVER ASSEMBLY, RH.....	1	
- 50	7W10205-35	...COVER.....	1	
		(ATTACHING PARTS)		
- 51	NAS221-6	...SCREW, MACHINE.....	20	
	NAS686A3	...NUT, PLATE.....	20	
		-----*		
- 52	7W10205-41	...COVER.....	2	
		(ATTACHING PARTS)		
- 53	NAS221-6	...SCREW, MACHINE.....	16	
	NAS686A3	...NUT, PLATE.....	16	
		-----*		
- 54	7W10208-15	...COVER.....	1	
		(ATTACHING PARTS)		
- 55	1601-0410	...PIVOT (19738).....	14	
		-----*		
- 56	5431127	...VENT ASSEMBLY, FUEL TANK (SEE INDEX NUMBER 29 FOR NHA) (ATTACHING PARTS)	1	
- 57	1601-0410	...PIVOT.....	8	
		-----*		
- 58	7W10400-11	...TURE (SEE CHAPTER 28 FOR DETAIL BREAK- DOWN)	RF	
	7W10202-1	...SPAR ASSEMBLY, INBOARD WING ASSEMBLY, AFT.... (SEE INDEX NUMBER 44 FOR NHA)	RF	
- 59	7W10302-11	...FITTING, AFT MLG PIVOT.....	1	*
	7W10302-15	...FITTING, AFT MLG PIVOT.....	1	*
	7W10302-13	...FITTING, AFT MLG PIVOT.....	1	
		(ATTACHING PARTS)		
- 60	G9511F3-6	...ROLT.....	8	
	GMS12H3	...CELLAR.....	8	
- 61	G9511F3-9	...ROLT.....	4	
	GMS12H3	...CELLAR.....	4	
		-----*		
- 62	NAS516-1	...TURE FITTING.....	2	
- 63	MS21155S16	...REAPING.....	1	
	7W10604-1	...BULKHEAD ASSEMBLY, NACELLE, LH, FS 112.00....	RF	
	7W10604-2	...BULKHEAD ASSEMBLY, NACELLE, RH, FS 112.00....	RF	
- 64	7W10604-10	...RETAINER.....	1	
		(ATTACHING PARTS)		
- 65	HL21-6-27	...LOCK ROLT.....	6	
	HL72-6	...CELLAR.....	6	
		-----*		

GRUMMAN AMERICAN AVIATION
GA-7/COUGAR
ILLUSTRATED PARTS CATALOG

Figure & Index No.	Part Number	Nomenclature							Units Per Assy	Usable On Code		
		1	2	3	4	5	6	7				
57- 1 -	65	7W10604-3	BEARING ASSEMBLY.....	1			
	66	7WM10301-17	FITTING, MLG PIVOT.....	1			
	67	MS21155S16	BEARING.....	1			
	68	NAS516-1	FITTING, LUBRICATION.....	2			
	69	7W10604-31	SPACER, SIDE BRACE,MAIN LANDING GEAR LH.....	1		
		7W10604-32	SPACER, SIDE BRACE,MAIN LANDING GEAR RH.....	1		
				(ATTACHING PARTS)								
	70	HL21-8-21	LOCK BOLT.....	4		
		HL72-8	COLLAR.....	4		
	71	7WM10303-11	-----*								
.....			FITTING, SIDE BRACE,MAIN LANDING GEAR.....	1		

BRUMMAN AMERICAN AVIATION

GA-7/COUGAR

ILLUSTRATED PARTS CATALOG

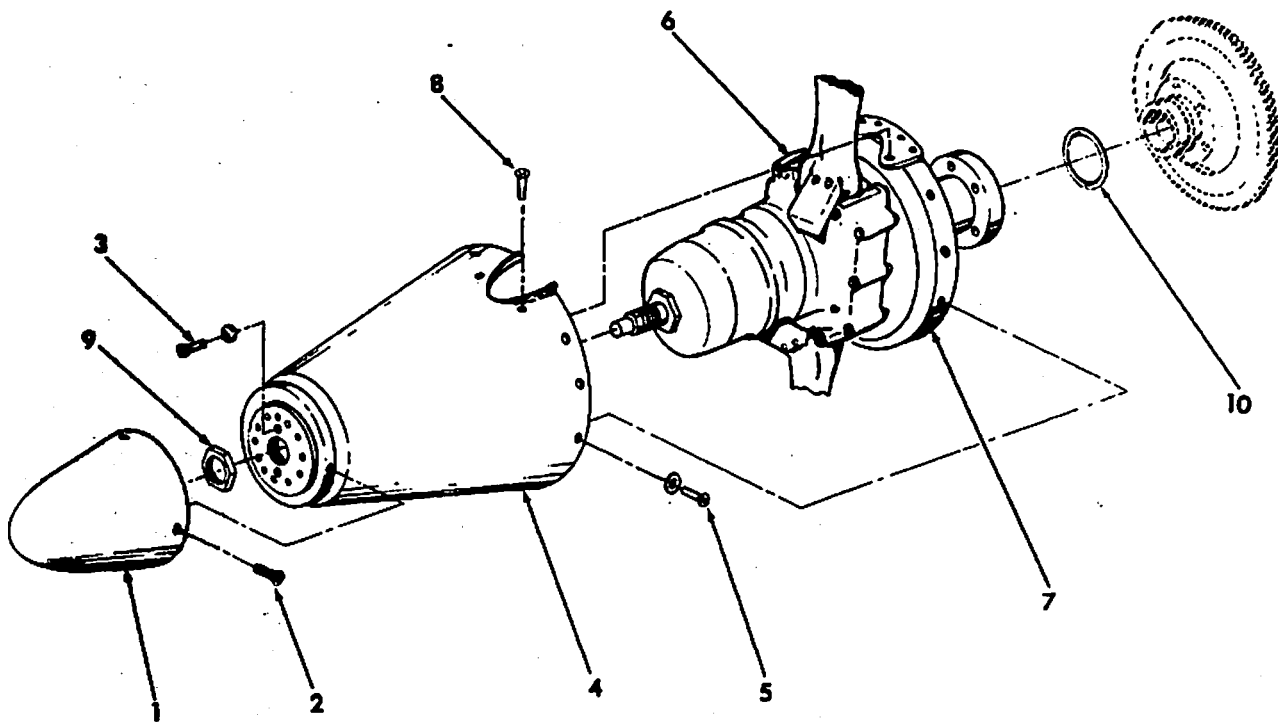
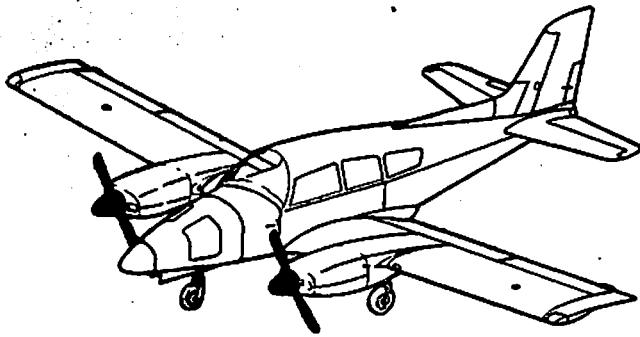
CHAPTER 61

PROPELLERS

TABLE OF CONTENTS

<u>SUBJECT</u>	<u>FIGURE NUMBER</u>
PROPELLER AND SPINNER ASSEMBLY INSTALLATION	61-1
PROPELLER UNFEATHERING SYSTEM INSTALLATION (OPTIONAL)	61-2
PROPELLER GOVERNOR INSTALLATION	61-3
PROPELLER CONTROL INSTALLATION	61-4

GRUMMAN AMERICAN AVIATION
GA-7/COUGAR
ILLUSTRATED PARTS CATALOG



Propeller and Spinner Assembly Installation
Figure 61-1

61G74-01

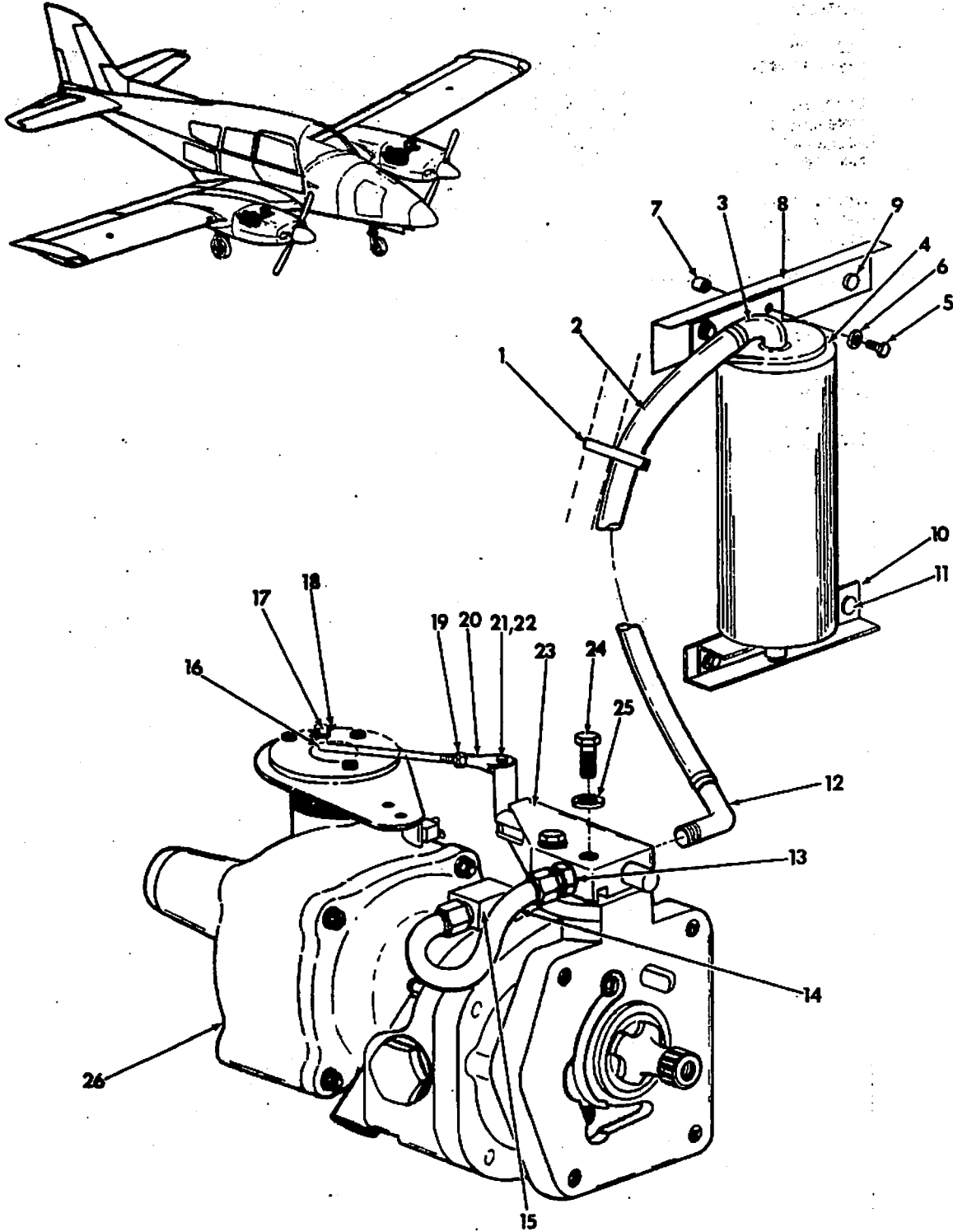
BRUNNMAN AMERICAN AVIATION

GA-7/COUGAR

ILLUSTRATED PARTS CATALOG

Figure & Index No.	Part Number	Nomenclature							Units Per Assy	Usable On Code
		1	2	3	4	5	6	7		
61- 1 -	7P10600-1	PROPELLER AND SPINNER ASSEMBLY INSTALLATION.....							NP	
- 1	7P10608-21	.DONE.....							1	
		(ATTACHING PARTS)								
- 2	MS24693-50	.SCREW.....							3	
	NAS1024A08	.NUTPLATE.....							3	
- 3	MS35264-63	.SCREW.....							2	
	AN960-10L	.WASHER.....							2	
	NAS680A3	.NUTPLATE.....							2	
- 4	7P10608-1	.SPINNER ASSEMBLY.....							1	
		(ATTACHING PARTS)								
- 5	MS35207-263	.SCREW.....							12	
	AN960-10L	.WASHER.....							12	
	NAS680A3	.NUTPLATE.....							12	
- 6	HC-F2YL-20F/FC7663D -3	.PROPELLER (24692) (REFER TO HARTZELL.....							1	
		HANDBOOK OF OVERHAUL INSTRUCTIONS, MANUAL								
		NUMBER 117-1)								
- 7	7P10608-3	.BULKHEAD ASSEMBLY.....							1	
		(ATTACHING PARTS)								
- 8	MS35207-263	.SCREW.....							4	
	AN960-10L	.WASHER.....							4	
- 9	A-2405-2	.NUT, CHECK (24692).....							1	
- 10	PRP-909-6	.O-RING, SHAFT (24692).....							1	

GRUMMAN AMERICAN AVIATION
GA-7/COUGAR
ILLUSTRATED PARTS CATALOG



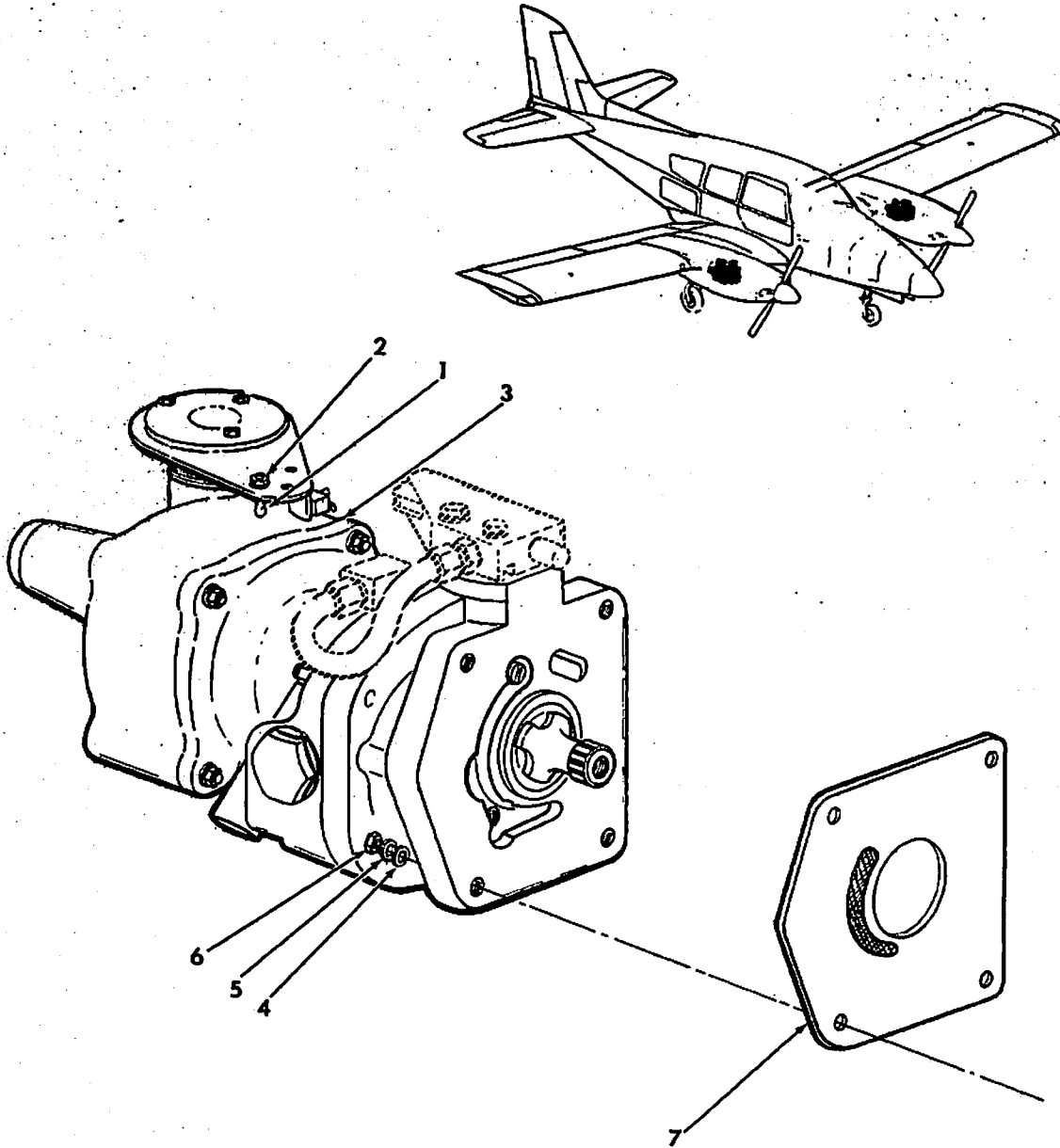
Propeller Unfeathering System Installation
Figure 61-2

61G74-02

GRUMMAN AMERICAN AVIATION
GA-7/COUGAR
ILLUSTRATED PARTS CATALOG

Figure & Index No.	Part Number	Nomenclature 1 2 3 4 5 6 7	Units Per Assy	Usable On Code
61- 2 -	7P10604-1	PROPELLER UNFEATHERING SYSTEM INSTALLATION..... (OPTIONAL)	NP	
- 1	SST2M	.STRAP, HOSE.....	1	
- 2	GAES-1325-4-0220-F	.HOSE ASSEMBLY.....	1	
- 3	MS20822-6	.ELBOW.....	1	
- 4	D20215	.ACCUMULATOR (24692)..... (ATTACHING PARTS)	1	
- 5	AN3H3A	.BOLT, AIRCRAFT.....	4	
- 6	AN960-10L	.WASHER, FLAT.....	4	
- 7	SS10-80	.RIVNUT (03481)..... -----*	4	
- 8	7P10604-13	.CLIP..... (ATTACHING PARTS)	1	
- 9	MS20600MP4W2	.RIVET, BLIND..... -----*	5	
- 10	7P10604-11	.CLIP..... (ATTACHING PARTS)	1	
- 11	MS20600MP4W2	.RIVET, BLIND..... -----*	5	
- 12	MS20822-6	.ELBOW.....	1	
- 13	AN816-4-4	.NIPPLE.....	1	
- 14	GAES1325-2-0140-F	.HOSE ASSEMBLY.....	1	
- 15	A-1835	.ELBOW (24692).....	1	
- 16	7P10604-15	.ARM, LINK..... (ATTACHING PARTS)	1	
- 17	AN960-10L	.WASHER, FLAT.....	1	
- 18	MS24665-132	.PIN, COTTER..... -----*	1	
- 19	AN315-3R	.NUT, CHECK.....	1	
- 20	AN66-21R	.CLEVIS, TIE ROD..... (ATTACHING PARTS)	1	
- 21	MS20392-2C15	.PIN, CLEVIS.....	1	
- 22	MS24665-132	.PIN, COTTER..... -----*	1	
- 23	A2187	.VALVE ASSEMBLY, UNFEATHERING (24692)..... (ATTACHING PARTS)	1	
- 24	MS20074-03-10	.BOLT, MACHINE.....	2	
- 25	AN960-10	.WASHER, FLAT..... -----*	2	
- 26	7P10604-911	.GOVERNOR, PROPELLER (SEE FIGURE 61-3 FOR D-TAIL BREAKDOWN) (24692)	1	

GRUMMAN AMERICAN AVIATION
GA-7/COUGAR
ILLUSTRATED PARTS CATALOG



Propeller Governor Installation
Figure 61-3

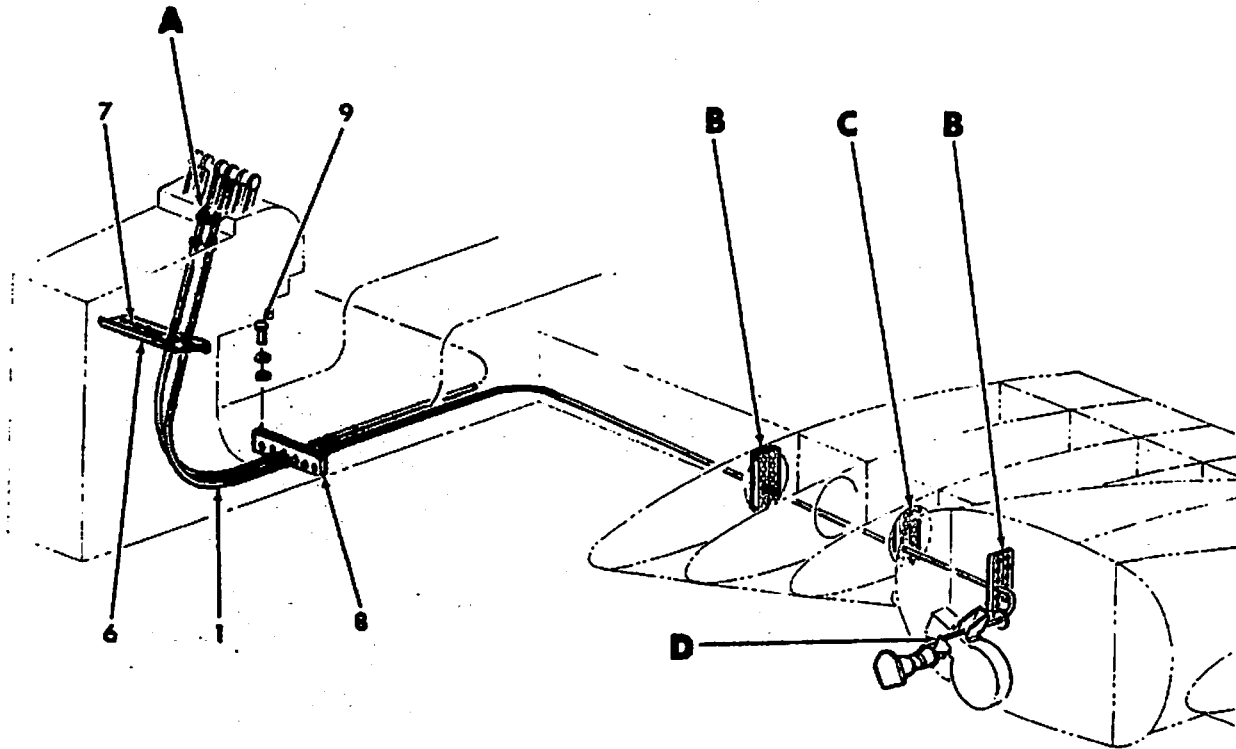
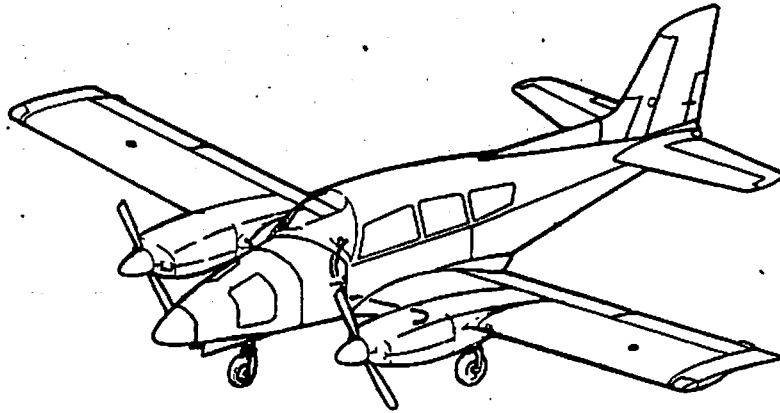
61G74-03

GRUMMAN AMERICAN AVIATION
GA-7/COUGAR
ILLUSTRATED PARTS CATALOG

Figure & Index No.	Part Number	Nomenclature							Units Per Assy	Usable On Code
		1	2	3	4	5	6	7		
61- 3 -	NO NUMBER	PROPELLER GOVERNOR INSTALLATION (SEE GAAC.....							NP	
- 1	LK862	DRAWING 7P10604-1)								
- 2	AN960-10L	.BALL JOINT (70436).....							1	
	MS20364-1032C	(ATTACHING PARTS)								
- 3	7P10604-911	.WASHER, FLAT.....							1	
- 4	STD-35	.NUT, SELF-LOCKING.....							1	
- 5	STD-475	-----								
- 6	STD-1410	.GOVERNOR, PROPELLER (24692).....							1	
		(ATTACHING PARTS)								
- 7	MS-100009	.WASHER, FLAT (80254).....							4	
		.WASHER, LOCK (80254).....							4	
		.NUT, PLAIN (80254).....							4	

		.GASKET, PROPELLER GOVERNOR (24692).....							1	

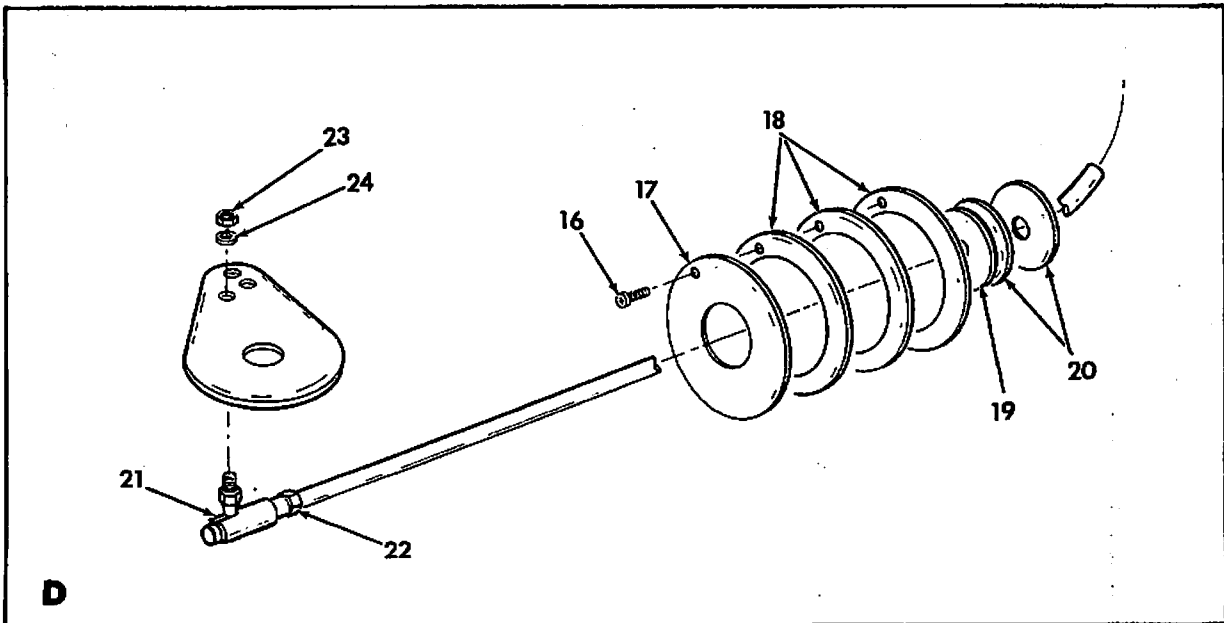
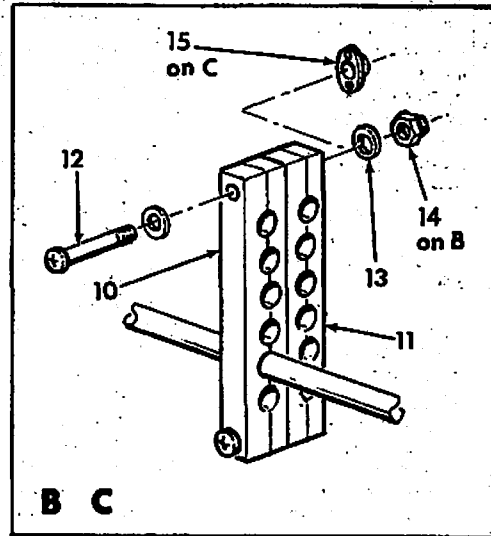
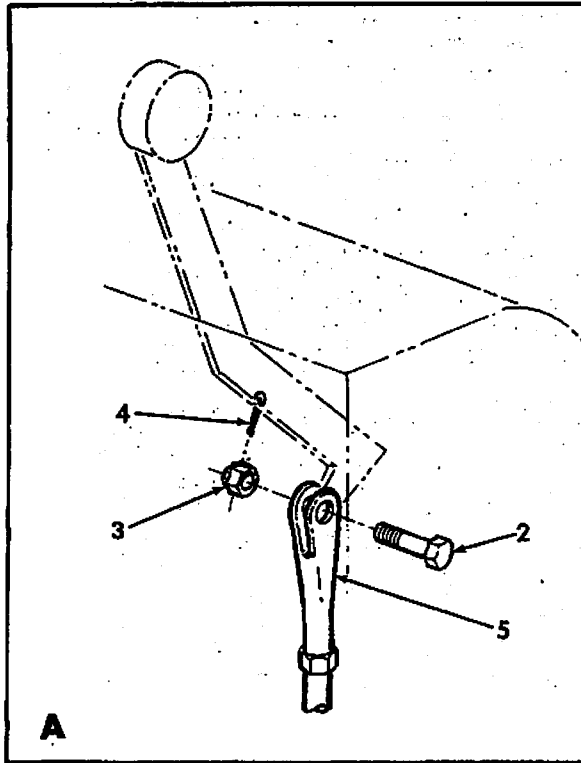
GRUMMAN AMERICAN AVIATION
GA-7/COUGAR
ILLUSTRATED PARTS CATALOG



Propeller Control Installation
Figure 61-4 (Sheet 1 of 2)

61G74-04-1

GRUMMAN AMERICAN AVIATION
GA-7/COUGAR
ILLUSTRATED PARTS CATALOG



Propeller Control Installation
 Figure 61-4 (Sheet 2 of 2)

61G7404-2

GRUMMAN AMERICAN AVIATION
GA-7/COUGAR
ILLUSTRATED PARTS CATALOG

Figure & Index No.	Part Number	Nomenclature	Units Per Assy	Usable On Code
61- 4 -	7P10902-1	PROPELLER CONTROL INSTALLATION.....	NP	
- 1	323-139	.CABLE, PROPELLER CONTROL (LH) (80523).....	1	
	323-144	.CABLE, PROPELLER CONTROL (RH) (80523).....	1	
		(ATTACHING PARTS)		
- 2	AN23-10	.BOLT.....	1	
- 3	AN310-3	.NUT, CASTELLATED.....	1	
- 4	MS24665-132	.PIN, COTTER.....	1	
- 5	MS27975-4	.CLEVIS, ROD END.....	1	
- 6	7F10312-15	.BRACKET (ATTACHES BOTH LH AND RH CABLES).....	1	
- 7	MS35237-264	.SCREW (ATTACHES BOTH LH AND RH CABLES).....	3	
	AN960D10	.WASHER (ATTACHES BOTH LH AND RH CABLES).....	3	
	MS21069L3	.NUT, PLATE (ATTACHES BOTH LH AND RH CABLES).....	3	
- 8	7F10329-15	.CLAMP HALF (ATTACHES BOTH LH AND RH CABLES).....	2	
- 9	MS35207-268	.SCREW (ATTACHES BOTH LH AND RH CABLES).....	2	
	MS35338-43	.WASHER (ATTACHES BOTH LH AND RH CABLES).....	2	
	AN960-10	.WASHER (ATTACHES BOTH LH AND RH CABLES).....	2	
- 10	7FP10329-13	.CLAMP HALF.....	6	
- 11	7FP10329-17	.CLAMP HALF.....	6	
- 12	MS35207-271	.SCREW.....	6	
- 13	AN960-10	.WASHER.....	10	
- 14	MS20364-1032	.NUT.....	4	
- 15	MS21069L3	.NUT, PLATE.....	2	
- 16	MS35236-246	.SCREW.....	4	
- 17	7P10907-43	.RETAINER.....	1	
- 18	7P10706-27	.SPACER.....	3	
- 19	7P10907-51	.PLATE.....	1	
- 20	7P10706-29	.DISC.....	2	
- 21	LK862	.BALL JOINT.....	1	
- 22	MS20341-135	.NUT.....	1	
- 23	MS20364-1032C	.NUT.....	1	
- 24	AN960-10L	.WASHER.....	1	

GRUMMAN AMERICAN AVIATION
GA-7/COUGAR
ILLUSTRATED PARTS CATALOG

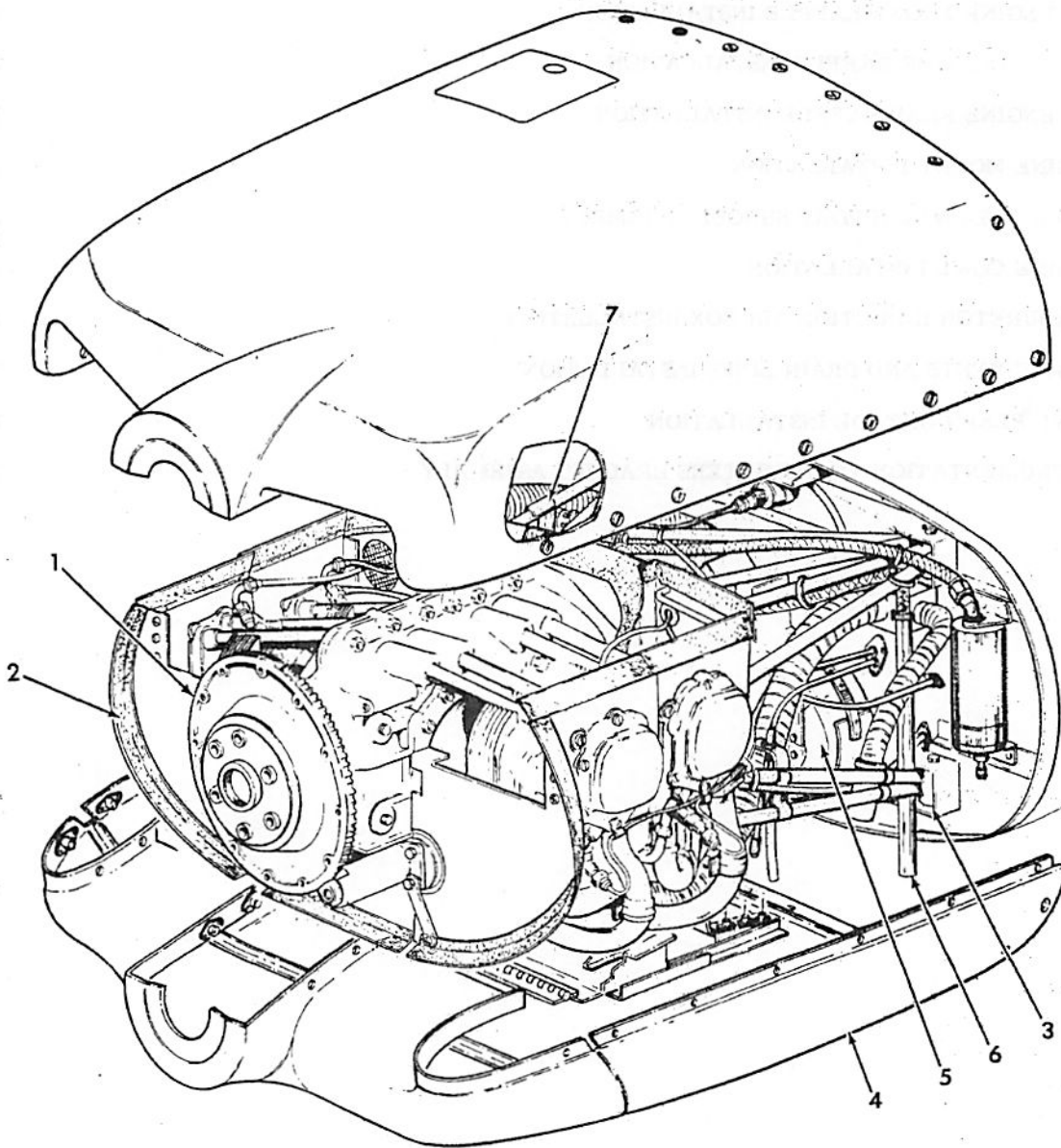
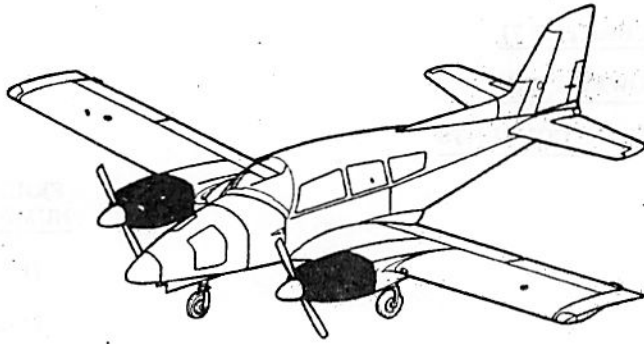
CHAPTER 71

POWER PLANT

TABLE OF CONTENTS

<u>SUBJECT</u>	<u>FIGURE NUMBER</u>
POWER PLANT INSTALLATION	71-1
ENGINE BAFFLE INSTALLATION	71-2
ENGINE FRONT BAFFLE INSTALLATION	71-3
ENGINE SIDE BAFFLE INSTALLATION	71-4
ENGINE REAR BAFFLE INSTALLATION	71-5
ENGINE MOUNT INSTALLATION	71-6
ENGINE MOUNT SUPPORT SHROUD ASSEMBLY	71-7
ENGINE COWL INSTALLATION	71-8
CARBURETOR INDUCTION AIR BOX INSTALLATION	71-9
ENGINE VENTS AND DRAIN LINES INSTALLATION	71-10
COWL FLAP CONTROL INSTALLATION	71-11
INSTRUMENTATION TRANSMITTERS BRACKET ASSEMBLY	71-12

GRUMMAN AMERICAN AVIATION
GA-7/COUGAR
ILLUSTRATED PARTS CATALOG



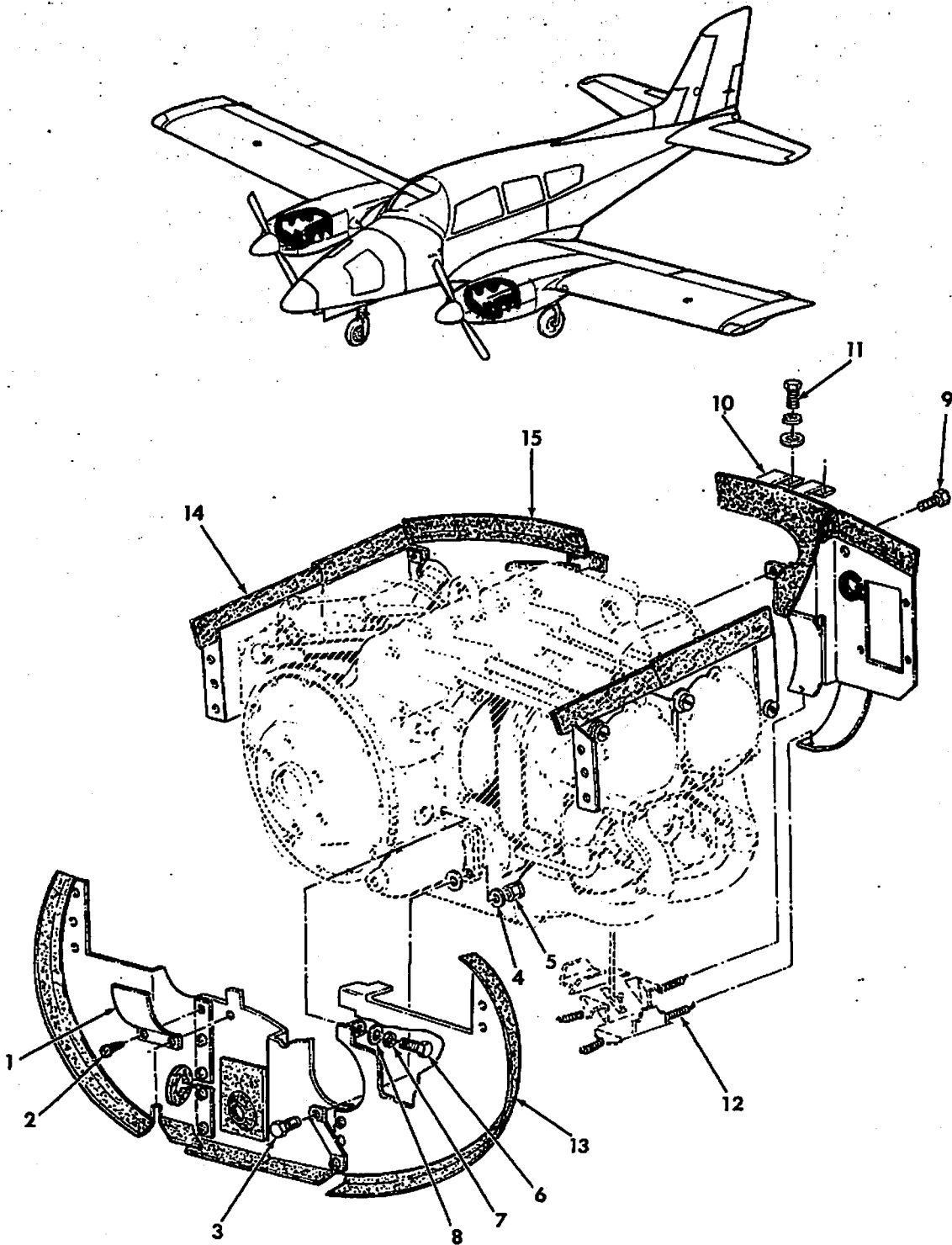
Power Plant Installation
Figure 71-1

71G74-01

GRUMMAN AMERICAN AVIATION
GA-7/COUGAR
ILLUSTRATED PARTS CATALOG

Figure & Index No.	Part Number	Nomenclature							Units Per Assy	Usable On Code
		1	2	3	4	5	6	7		
71- 1 -	7P10000-1	POWER PLANT INSTALLATION.....							NP	
- 1	7P10001-1	.ENGINE AND ACCESSORIES.....							2	
	0-320-D10	..ENGINE (REFER TO AVCO LYCOMING O-320.....							2	
		SERIES AIRCRAFT ENGINE ILLUSTRATED PARTS CATALOG FOR ENGINE DETAIL BREAKDOWN AND ACCESSORIES) (80254)								
- 2	NO NUMBER	.ENGINE BAFFLE INSTALLATION (SEE FIGURES.....							1	
		71-2,71-3,71-4,71-5 FOR DETAIL BREAKDOWN)								
- 3	NO NUMBER	.ENGINE MOUNT INSTALLATION (SEE FIGURE 71-6.....							1	
		FOR DETAIL BREAKDOWN)								
- 4	NO NUMBER	.ENGINE COWL INSTALLATION (SEE FIGURE 71-8.....							1	
		FOR DETAIL BREAKDOWN)								
- 5	NO NUMBER	.CARBURETOR INDUCTION AIR BOX INSTALLATION.....							1	
		(SEE FIGURE 71-9 FOR DETAIL BREAKDOWN)								
- 6	NO NUMBER	.ENGINE VENTS AND DRAIN LINES INSTALLATION.....							1	
		(SEE FIGURE 71-10 FOR DETAIL BREAKDOWN)								
- 7	7P10612-1	.INSTRUMENT TRANSMITTER BRACKET ASSEMBLY.....							1	
		(SEE FIGURE 71-12 FOR DETAIL BREAKDOWN)								

GRUMMAN AMERICAN AVIATION
GA-7/COUGAR
ILLUSTRATED PARTS CATALOG



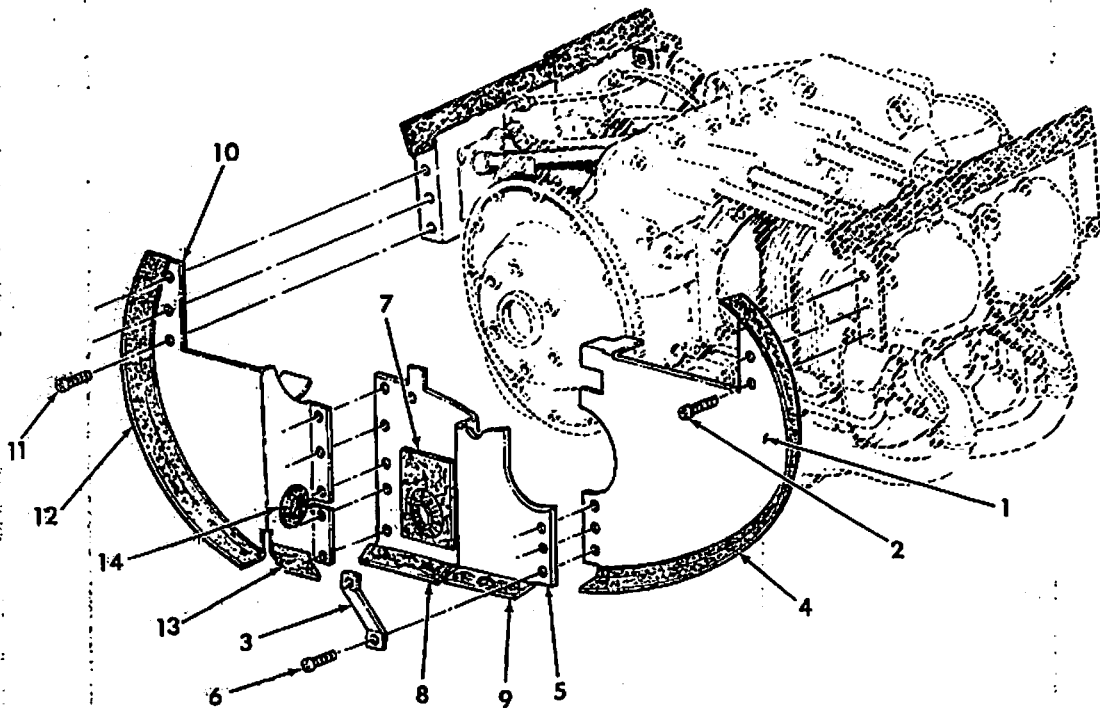
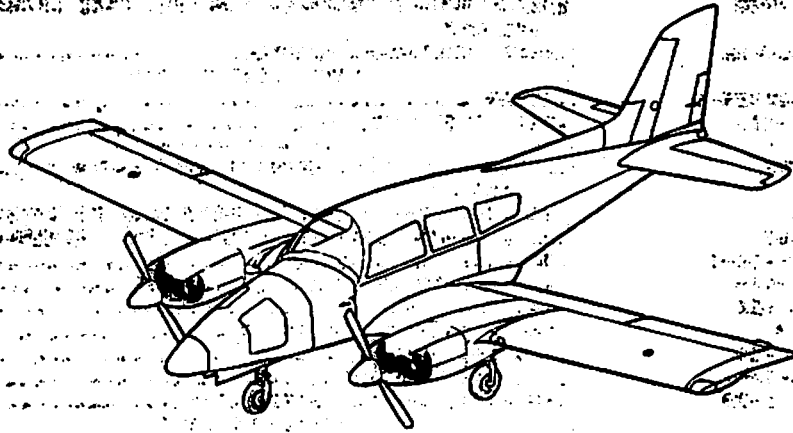
Engine Baffle Installation
Figure 71-2

71074-02

GRUMMAN AMERICAN AVIATION
GA-7/COUGAR
ILLUSTRATED PARTS CATALOG

Figure & Index No.	Part Number	Nomenclature							Units Per Asy	Usable On Code
		1	2	3	4	5	6	7		
71- 2 -	NO NUMBER	ENGINE BAFFLE INSTALLATION (SEE GAAC DRAWING, 7P10000)							NP	
- 1	5502010-12	.WRAP, CYLINDER, ENGINE. (ATTACHING PARTS)							1	
- 2	GAES1Q21Z6-6 A1181-6Z1	.SCREW.							2	
		.NUT, SPEED (78553).							2	
- 3	STD1328	.BOLT, HEX HEAD (SUPPLIED WITH ENGINE). (80254)							1	
- 4	STD35	.WASHER, FLAT (SUPPLIED WITH ENGINE) (80254).							2	
- 5	STD1410	.NUT, PLAIN (SUPPLIED WITH ENGINE) (80254).							1	
- 6	AN500-416-6	.BOLT.							1	
- 7	AN936A416	.WASHER, TOOTH LOCK.							1	
- 8	AN960-416	.WASHER, FLAT.							1	
- 9	AN4-6A	.BOLT, MACHINE, AIRCRAFT.							1	
	AN960-416	.WASHER, FLAT.							2	
	AN364-428	.NUT, SELF-LOCKING.							1	
- 10	7P10311-23	.BRACKET, GROUND, ELECTRICAL. (ATTACHING PARTS)							2	
- 11	STD1204	.BOLT, HEX HEAD (SUPPLIED WITH ENGINE). (80254)							1	
	STD160	.WASHER, LOCK (SUPPLIED WITH ENGINE) (80254).							1	
	STD8	.WASHER, FLAT (SUPPLIED WITH ENGINE) (80254).							1	
- 12	LE026C-1	.SPRING.							7	
- 13	NO NUMBER	.BAFFLE INSTALLATION, ENGINE, FRONT (SEE FIGURE 71-3 FOR DETAIL BREAKDOWN)							NP	
- 14	NO NUMBER	.BAFFLE INSTALLATION, ENGINE, LH AND RH SIDE, (SEE FIGURE 71-4 FOR DETAIL BREAKDOWN)							NP	
- 15	NO NUMBER	.BAFFLE INSTALLATION, ENGINE, REAR (SEE FIGURE 71-5 FOR DETAIL BREAKDOWN)							NP	

GRUMMAN AMERICAN AVIATION
GA-7/COUGAR
ILLUSTRATED PARTS CATALOG



Engine Front Baffle Installation
Figure 71-3

71G74-03

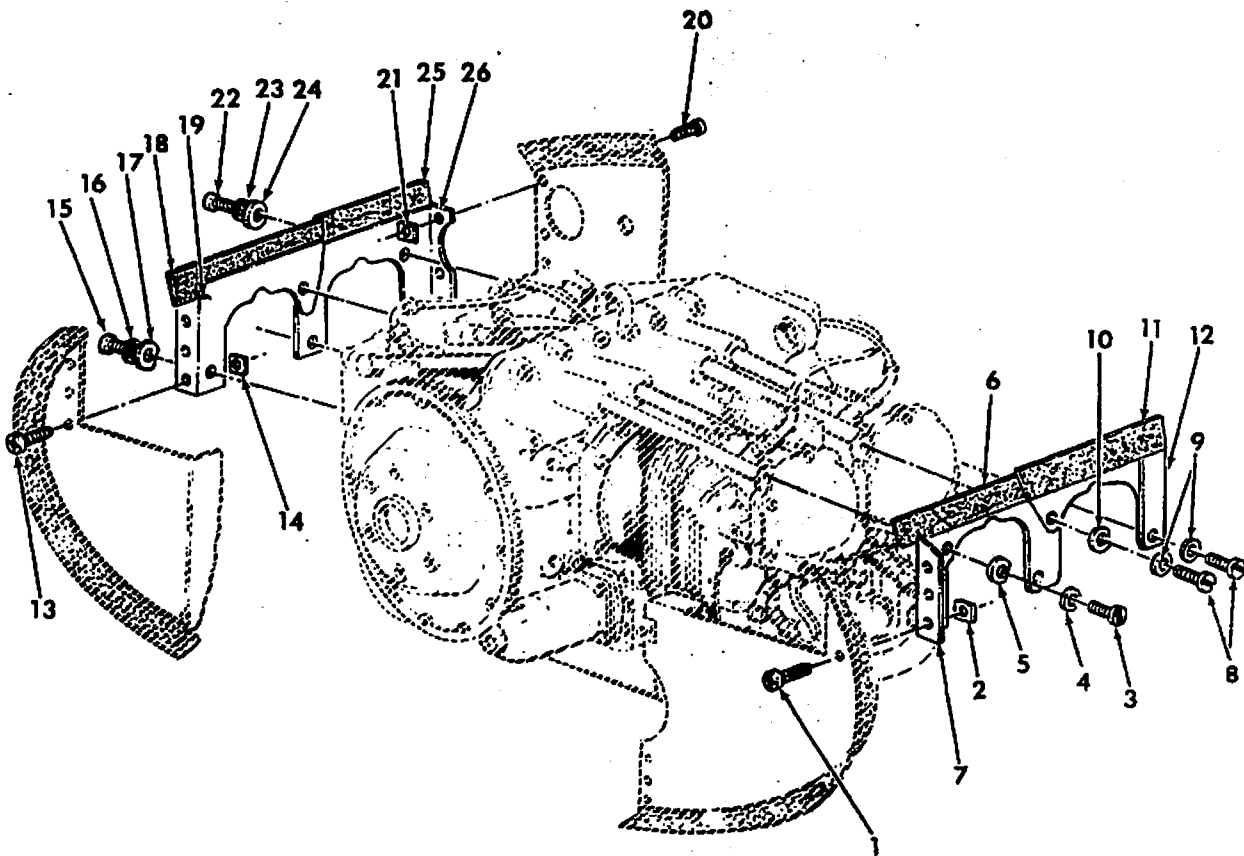
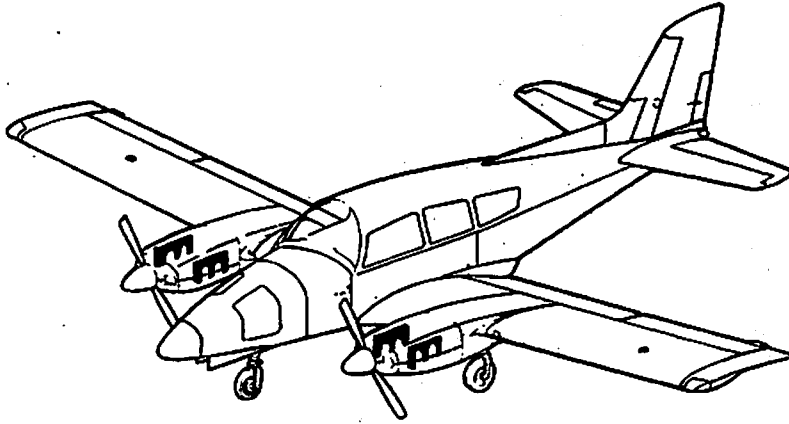
GRUMMAN AMERICAN AVIATION

GA-7/COUGAR

ILLUSTRATED PARTS CATALOG

Figure & Index No.	Part Number	Nomenclature							Units Per Assy	Usable On Code
		1	2	3	4	5	6	7		
71- 3 -	NO NUMBER	ENGINE FRONT BAFFLE INSTALLATION (SEE FIGURE....							NP	
- 1	7P10310-25	71-2 FOR NHA) ..BAFFLE ASSEMBLY, FRONT (LH).....							1	
- 2	GAES102126-6 A1181-6Z1	..SCREW..... ..NUT, SPEED (78553).....							6 6	
- 3	7P10310-57	-----*----- ..SUPPORT, BAFFLE.....							1	
- 4	7P10310-17	..SEAL, NONMETALLIC.....							1	
- 5	7P10310-29	..BAFFLE ASSEMBLY, FRONT (CENTER).....							1	
- 6	GAES102126-6 A1181-6Z1	(ATTACHING PARTS) ..SCREW..... ..NUT, SPEED (78553).....							6 6	
- 7	7P10310-21	-----*----- ..SEAL, NONMETALLIC.....							1	
- 8	7P10310-55	..SEAL, NONMETALLIC.....							1	
- 9	7P10310-63	..SEAL, NONMETALLIC.....							1	
- 10	7P10310-27	..BAFFLE ASSEMBLY, FRONT (RH).....							1	
- 11	GAES102126-6 A1181-6Z1	(ATTACHING PARTS) ..SCREW..... ..NUT, SPEED (78553).....							3 3	
- 12	7P10310-19	-----*----- ..SEAL, NONMETALLIC.....							1	
- 13	7P10310-53	..SEAL, NONMETALLIC.....							1	
- 14	MS35490-15	..GROMMET, RUBBER.....							1	

GRUMMAN AMERICAN AVIATION
GA-7/COUGAR
ILLUSTRATED PARTS CATALOG



Engine Side Baffle Installation
Figure 71-4

71G74-04

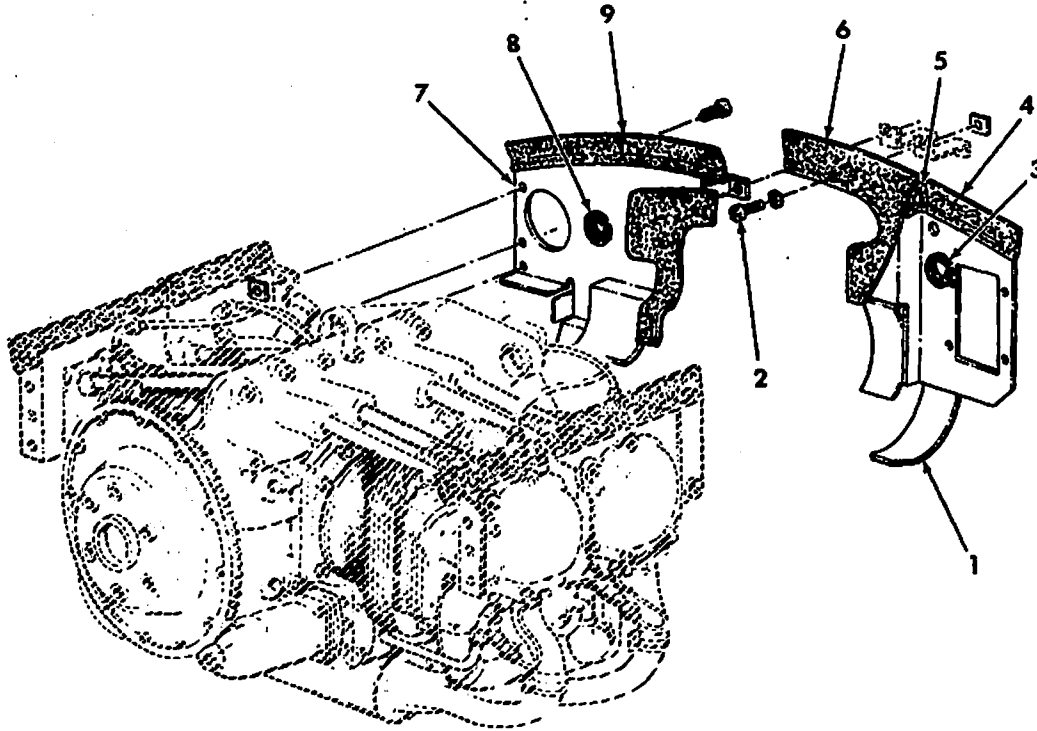
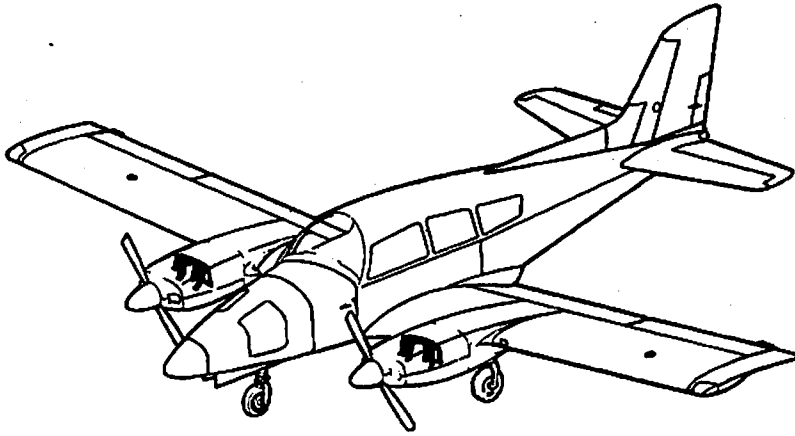
GRUMMAN AMERICAN AVIATION

GA-7/COUGAR

ILLUSTRATED PARTS CATALOG

Figure & Index No.	Part Number	Nomenclature							Units Per Assy	Usable On Code
		1	2	3	4	5	6	7		
71- 4 -	NO NUMBER	ENGINE SIDE BAFFLE INSTALLATION (LM AND RH).....							NP	
	7P10312-3	.BAFFLE ASSEMBLY, SIDE (LH).....							1	
		(ATTACHING PARTS)								
- 1	GAES1021Z6-6	.SCREW.....							3	
- 2	NAS446-2	.NUT, SPEED.....							3	
- 3	AN500-416-6	.SCREW, MACHINE.....							2	
- 4	AN936A416	.WASHER, TOOTH LOCK.....							2	
- 5	500006-3	.WASHER, SPECIAL.....							2	
		-----*								
- 6	7P10312-31	..SEAL, NONMETALLIC.....							1	
- 7	7P10312-13	..BAFFLE.....							1	
	7P10312-51	.BAFFLE ASSEMBLY, SIDE (LH).....							1	
		(ATTACHING PARTS)								
- 8	AN500-416-6	.SCREW, MACHINE.....							2	
- 9	AN936A416	.WASHER, TOOTH LOCK.....							2	
- 10	500006-3	.WASHER, SPECIAL.....							1	
		-----*								
- 11	7P10312-19	..SEAL, NONMETALLIC.....							1	
- 12	7P10312-11	..BAFFLE.....							1	
		.BAFFLE ASSEMBLY, SIDE (RH).....							1	
		(ATTACHING PARTS)								
- 13	GAES1021Z6-6	.SCREW.....							3	
- 14	NAS446-2	.NUT, SPEED.....							3	
- 15	AN500-416-6	.SCREW, MACHINE.....							2	
- 16	AN936A416	.WASHER, TOOTH LOCK.....							2	
- 17	500006-3	.WASHER, SPECIAL.....							2	
		-----*								
- 18	7P10312-25	..SEAL, NONMETALLIC.....							1	
- 19	7P10312-29	..BAFFLE.....							1	
	7P10312-5	.BAFFLE ASSEMBLY, SIDE (RH).....							1	
		(ATTACHING PARTS)								
- 20	GAES1021Z6-6	.SCREW.....							3	
- 21	NAS446-2	.NUT, SPEED.....							3	
- 22	AN500-416-6	.SCREW, MACHINE.....							3	
- 23	AN936A416	.WASHER, TOOTH LOCK.....							3	
- 24	500006-3	.WASHER, SPECIAL.....							2	
		-----*								
- 25	7P10312-33	..SEAL, NONMETALLIC.....							1	
- 26	7P10312-15	..BAFFLE.....							1	

GRUMMAN AMERICAN AVIATION
GA-7/COUGAR
ILLUSTRATED PARTS CATALOG



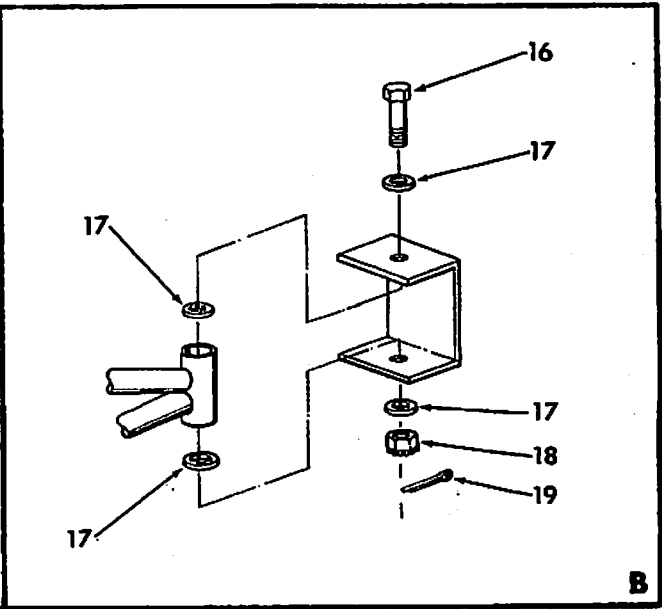
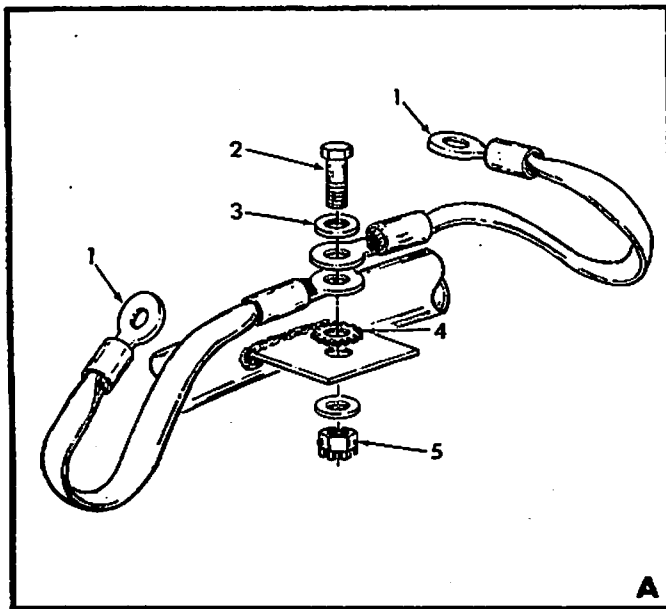
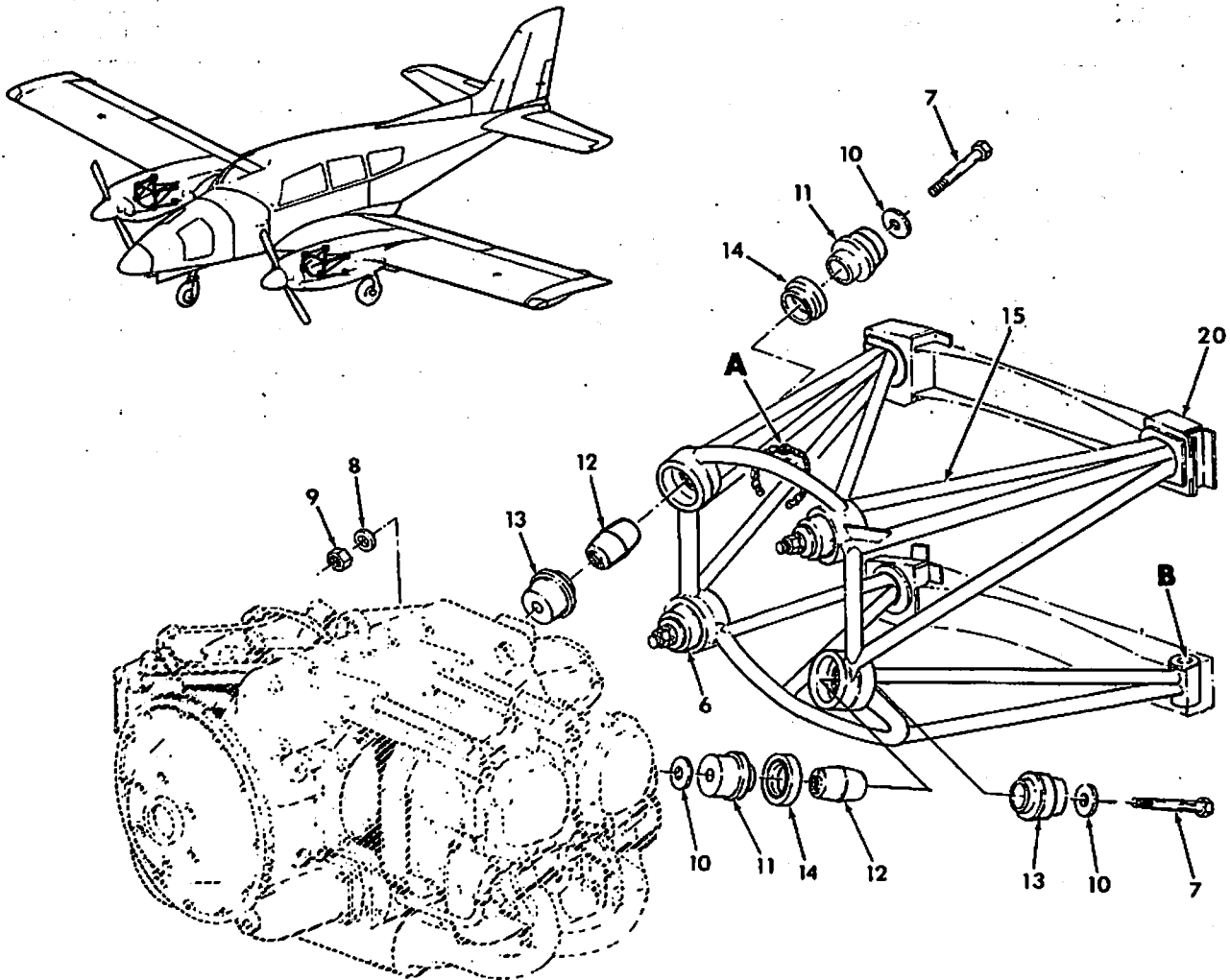
Engine Rear Baffle Installation
Figure 71-5

71G74-05

GRUMMAN AMERICAN AVIATION
GA-7/COUGAR
ILLUSTRATED PARTS CATALOG

Figure & Index No.	Part Number	Nomenclature							Units Per Assy	Usable On Code
		1	2	3	4	5	6	7		
71- 5 -	NO NUMBER	ENGINE REAR BAFFLE INSTALLATION (SEE FIGURE.....							NP	
- 1	7P10311-47	71-2 FOR NHA)								
		.BAFFLE ASSEMBLY, REAR (LH).....							1	
		(ATTACHING PARTS)								
- 2	GAES102126-8	.SCREW.....							2	
	AN960-6L	.WASHER, FLAT.....							2	
	NAS446-2	.NUT, SPEED.....							2	
		-----+-----								
- 3	MS35490-15	..GROMMET, RUBBER.....							1	
- 4	7P10311-73	..SEAL, NONMETALLIC.....							1	
- 5	7P10311-75	..SEAL, NONMETALLIC.....							1	
- 6	7P10311-71	..SEAL, NONMETALLIC.....							1	
- 7	7P10311-49	.BAFFLE ASSEMBLY, REAR (RH).....							1	
- 8	MS35490-15	..GROMMET, RUBBER.....							1	
- 9	7P10311-29	..SEAL, NONMETALLIC.....							1	

GRUMMAN AMERICAN AVIATION
GA-7/COUGAR
ILLUSTRATED PARTS CATALOG

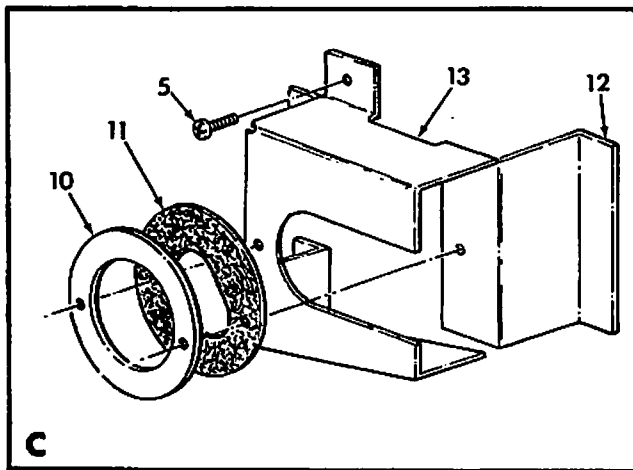
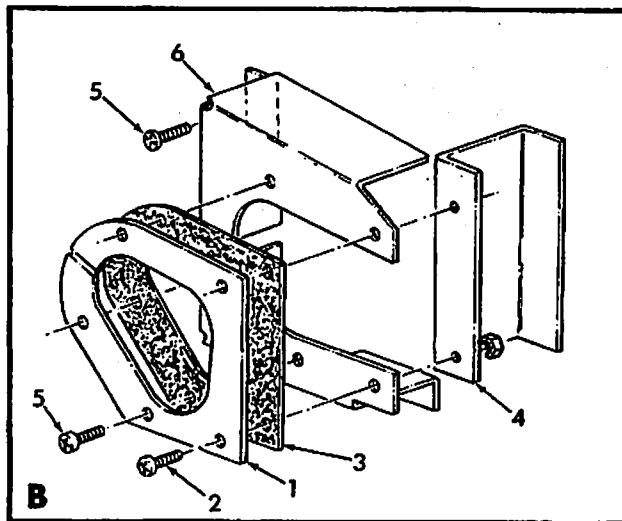
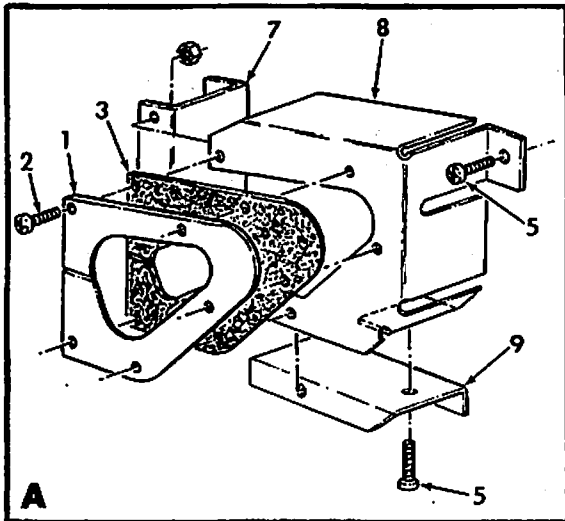
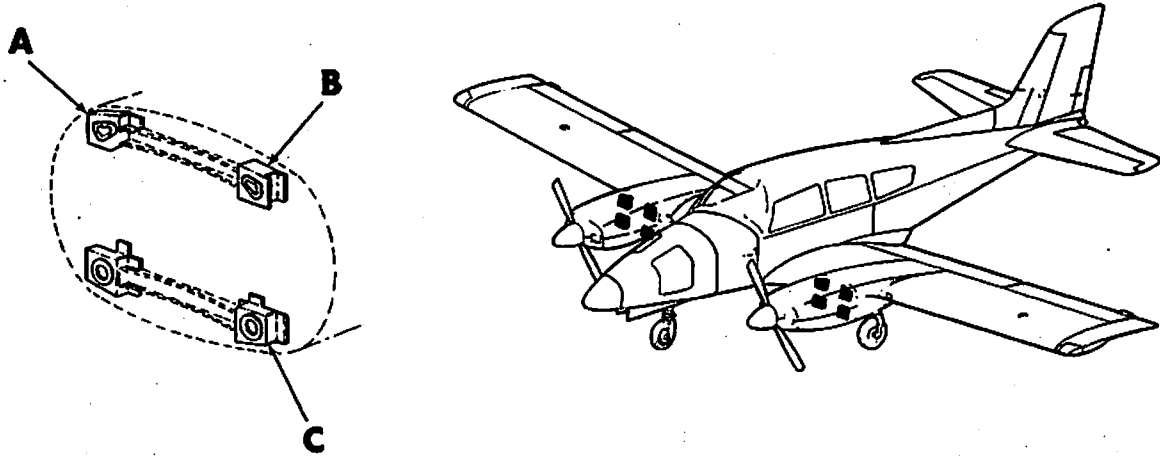


Engine Mount Installation
 Figure 71-6

GRUMMAN AMERICAN AVIATION
GA-7/COUGAR
ILLUSTRATED PARTS CATALOG

Figure & Index No.	Part Number	Nomenclature	Units Per Assy	Usable On Code
71- 6 -	NO NUMBER	ENGINE MOUNT INSTALLATION (SEE GAAC.....	(6	
- 1	5402005-501	DRAWING 7P10000) .STRAP ASSY, GROUND, ELECTRICAL.....	2	
- 2	AN4-4A	(ATTACHING PARTS) .BOLT, MACHINE, AIRCRAFT.....	1	
- 3	AN960-416	.WASHER, FLAT.....	2	
- 4	AN936B416	.WASHER, TOOTH LOCK.....	1	
- 5	AN364-428C	.NUT, SELF-LOCKING.....	1	
- 6	J9613-49	----- .MOUNTING KIT ASSEMBLY, ENGINE (76005).....	4	
- 7	AN7-45A	(ATTACHING PARTS) .BOLT, MACHINE, AIRCRAFT.....	4	
- 8	AN960-716	.WASHER, FLAT.....	AR	
- 9	MS20365-720C	.NUT, SELF-LOCKING.....	4	
- 10	J2218-61	----- ..WASHER, FLAT (76005).....	AR	
- 11	5500014-1	..WASHER, FLAT (ALTERNATE TO J2218-61).....	AR	
- 12	J7763-33	..MOUNT, RUBBER, ENGINE (76005).....	4	
- 13	J12334-1	..INSERT, RUBBER (76005).....	4	
- 14	J9612-8	..MOUNT, RUBBER, ENGINE (76005).....	4	
- 15	55011111-15	.SPACER, METALLIC.....	4	
- 16	7P10100-3	.ENGINE MOUNT ASSEMBLY.....	1	
- 17	AN6-22	(ATTACHING PARTS) .BOLT, MACHINE, AIRCRAFT.....	4	
- 18	AN960D616L	.WASHER, FLAT.....	AR	
- 19	AN310-6	.NUT, PLAIN, CASTELLATED.....	4	
- 20	MS24665-283	.COTTER PIN.....	4	
- 20	NO NUMBER	----- .ENGINE MOUNT SUPPORT SHROUD INSTALLATION.....	NP	
		(SEE FIGURE 71-7 FOR DETAIL BREAKDOWN)		

GRUMMAN AMERICAN AVIATION
GA-7/COUGAR
ILLUSTRATED PARTS CATALOG



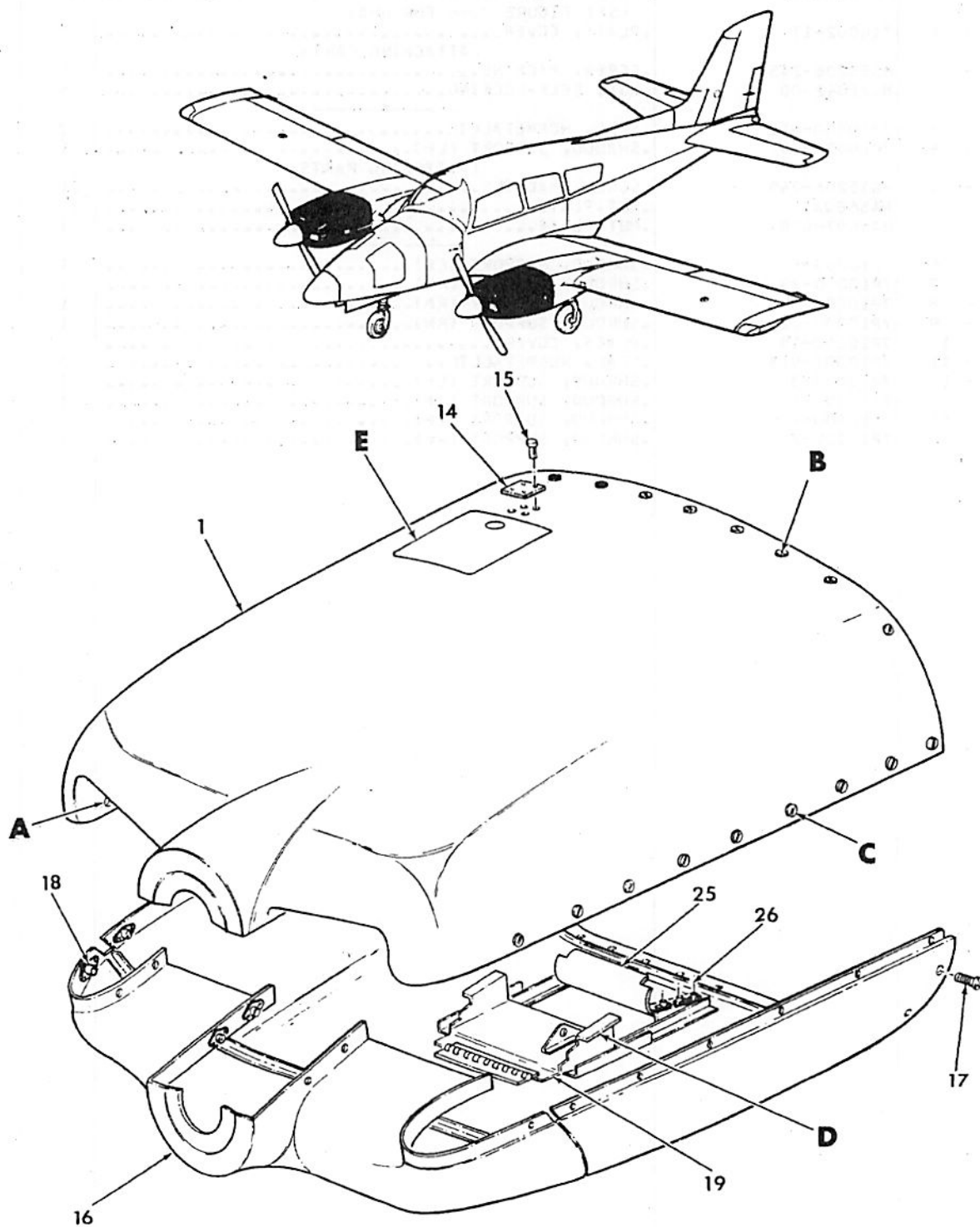
Engine Mount Support Shroud Assembly
 Figure 71-7

71G74-07

GRUMMAN AMERICAN AVIATION
GA-7/COUGAR
ILLUSTRATED PARTS CATALOG

Figure & Index No.	Part Number	Nomenclature							Units Per Assy	Usable On Code
		1	2	3	4	5	6	7		
71- 7 -	NO NUMBER	ENGINE MOUNT SUPPORT SHROUD ASSEMBLY (SEE.....							NP	
- 1	710002-17	.PLATE, COVER..... (ATTACHING PARTS)							2	
- 2	MS35206-245	.SCREW, MACHINE.....							5	
	MS21042-08	.NUT, SELF-LOCKING.....							5	
- 3	7P10000-911	.SEAL, NONMETALLIC.....							2	
- 4	7P10000-19	.SHROUD, SUPPORT (LF)..... (ATTACHING PARTS)							1	
- 5	MS35206-245	.SCREW, MACHINE.....							21	
	NAS680A3	.NUT, PLATE.....							10	
	NAS697-C08	.NUT, PLATE.....							11	
- 6	7P10000-5	.SHROUD, SUPPORT (LF).....							1	
- 7	7P10000-23	.SHROUD, SUPPORT (RF).....							1	
- 8	7P10000-7	.SHROUD, SUPPORT (RH).....							1	
- 9	7P10000-21	.SHROUD, SUPPORT (RH).....							1	
- 10	7P10000-15	.PLATE, COVER.....							2	
- 11	7P10000-913	.SEAL, NONMETALLIC.....							2	
- 12	7P10000-3	.SHROUD, SUPPORT (LF).....							1	
	7P10000-4	.SHROUD, SUPPORT (RF).....							1	
- 13	7P10000-1	.SHROUD, SUPPORT (LH).....							1	
	7P10000-2	.SHROUD, SUPPORT (RH).....							1	

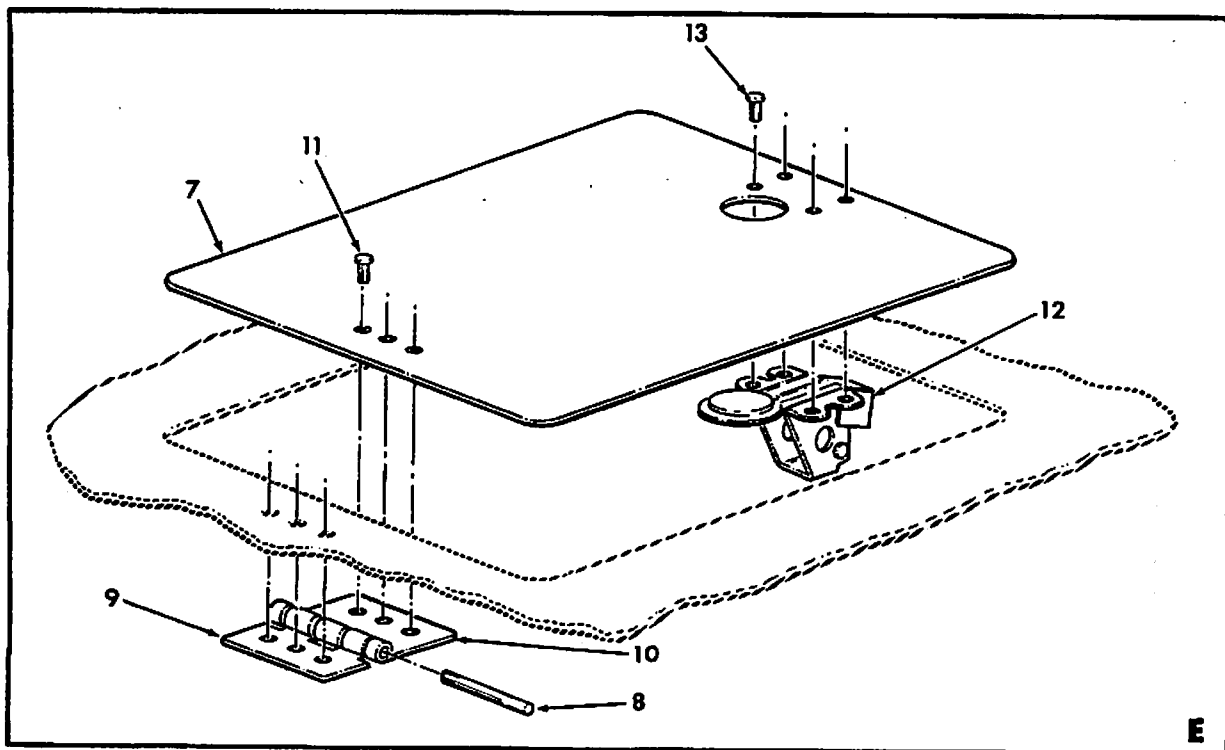
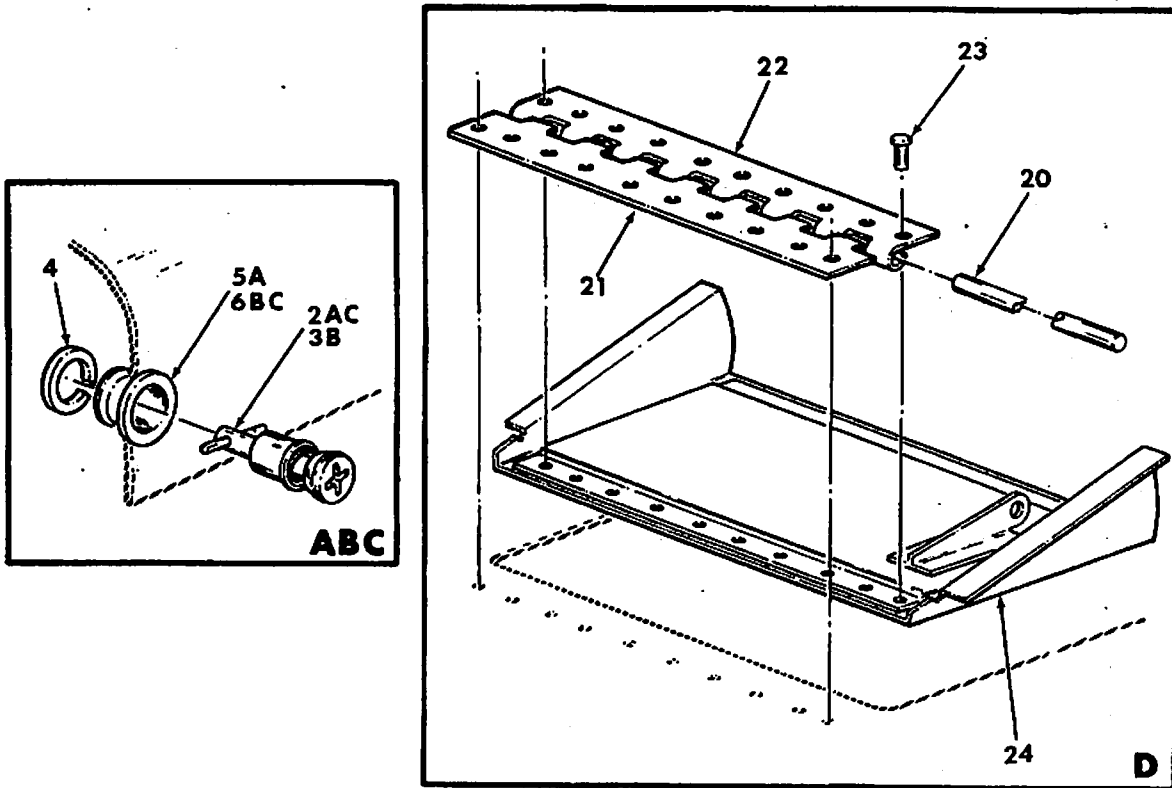
GRUMMAN AMERICAN AVIATION
GA-7/COUGAR
ILLUSTRATED PARTS CATALOG



Engine Cowling Installation
Figure 71-8 (Sheet 1 of 2)

71G74-08-1

GRUMMAN AMERICAN AVIATION
GA-7/COUGAR
ILLUSTRATED PARTS CATALOG



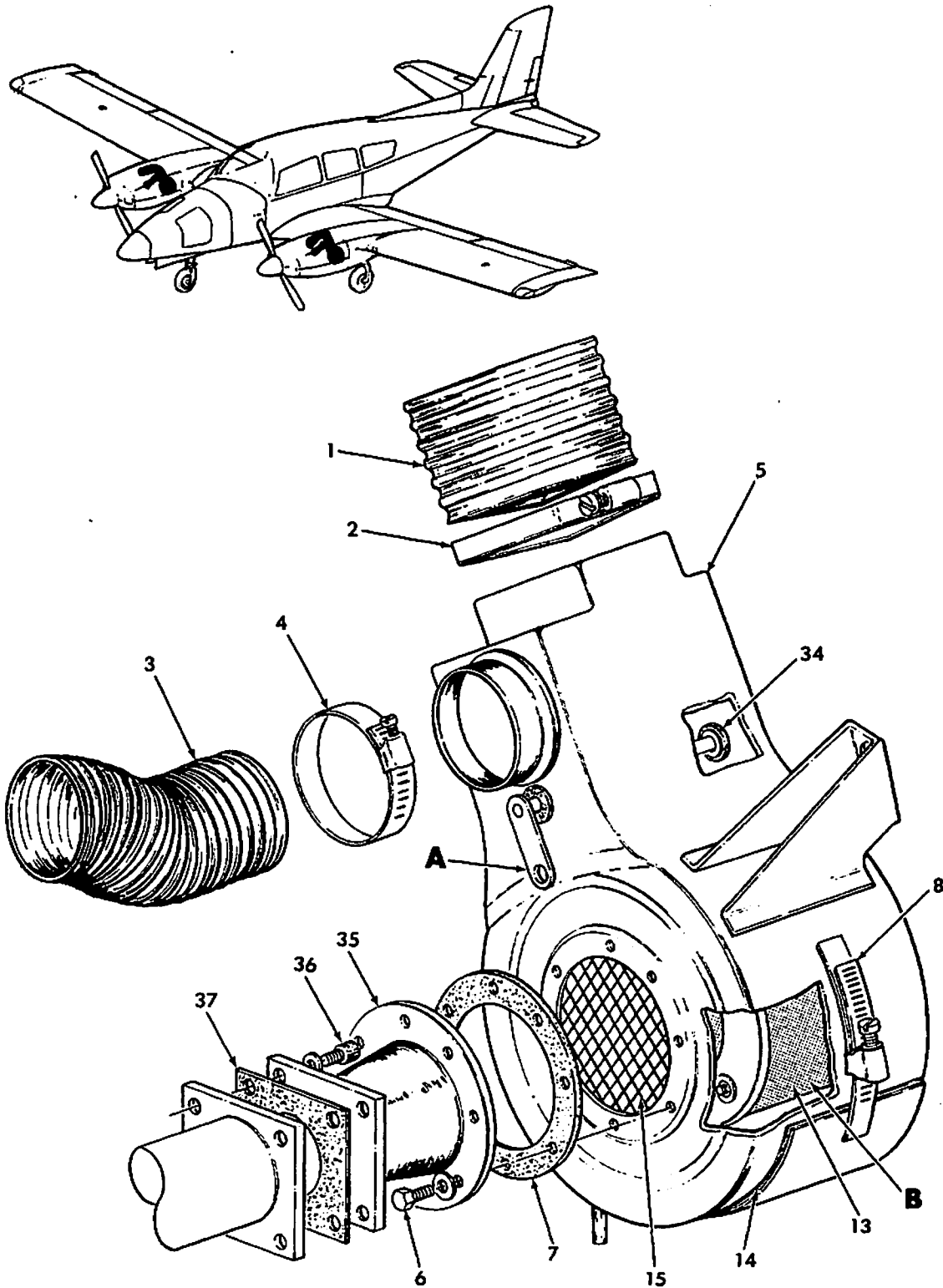
Engine Cowl Installation
Figure 71-8 (Sheet 2 of 2)

71G74-08-2

GRUMMAN AMERICAN AVIATION
GA-7/COUGAR
ILLUSTRATED PARTS CATALOG

Figure & Index No.	Part Number	Nomenclature 1 2 3 4 5 6 7	Units Per Assy	Usable On Code
71- 8 -	NO NUMBER	ENGINE COWL INSTALLATION (SEE GAAC DRAWING..... 7P10000)	NP	
- 1	7P10401-3	.COWL ASSEMBLY, UPPER (LH AND RH SAME)..... (ATTACHING PARTS)	1	
- 2	40S5-3	.STUD (71286).....	26	
- 3	40S5-4	.STUD (71286).....	5	
- 4	GR540C-1	.SNAPRING (71286).....	31	
- 5	GG500C-1	.GROMMET (71286).....	25	
- 6	GG500C-2	.GROMMET (71286).....	6	
- 7	14-101019-503	.DOOR ASSEMBLY, COWL.....	1	
- 8	14-101019-4	.PIN, HINGE.....	1	
- 9	14-101019-3	.HINGE, HALF.....	1	
- 10	14-101019-2	.HINGE, HALF..... (ATTACHING PARTS)	1	
- 11	MS20426A03-5	.RIVET.....	6	
- 12	KM610-64	.LATCH (71286)..... (ATTACHING PARTS)	1	
- 13	MS20426A03-4	.RIVET.....	4	
- 14	16-101020-12	.PLATE, STRIKER..... (ATTACHING PARTS)	1	
- 15	MS20426A03-4	.RIVET.....	4	
- 16	7P10472-1	.COWL ASSEMBLY, LOWER (LH AND RH SAME)..... (ATTACHING PARTS)	1	
- 17	MS24693S52 NAS680A3	.SCREW, MACHINE.....	19	
- 18	GR520A-16N	.NUT, PLATE.....	19	
- 19	7P10411-5	.RECEPTACLE (71286).....	20	
- 19	7P10411-5	.COWL FLAP ASSEMBLY (SEE FIGURE 71-11 FOR..... COWL FLAP DRIVE INSTALLATION)	1	
- 20	7P10411-53	.PIN, HINGE.....	1	
- 21	7P10411-23	.HINGE, HALF.....	1	
- 22	7P10411-51	.HINGE, HALF..... (ATTACHING PARTS)	1	
- 23	NAS1097A04	.RIVET.....	20	
- 24	7P10411-59	.FLAP.....	1	
- 25	7P10411-61	.RAMP..... (ATTACHING PARTS)	1	
- 26	MS35207-261 NAS697-A3	.SCREW, MACHINE.....	6	
		.NUTPLATE.....	6	

GRUMMAN AMERICAN AVIATION
GA-7/COUGAR
ILLUSTRATED PARTS CATALOG



Carburetor Induction Air Box Installation
Figure 71-9 (Sheet 1 of 2)

71G74-09-1

THE UNIVERSITY OF CHICAGO
LIBRARY



UNIVERSITY OF CHICAGO PRESS
CHICAGO, ILL.



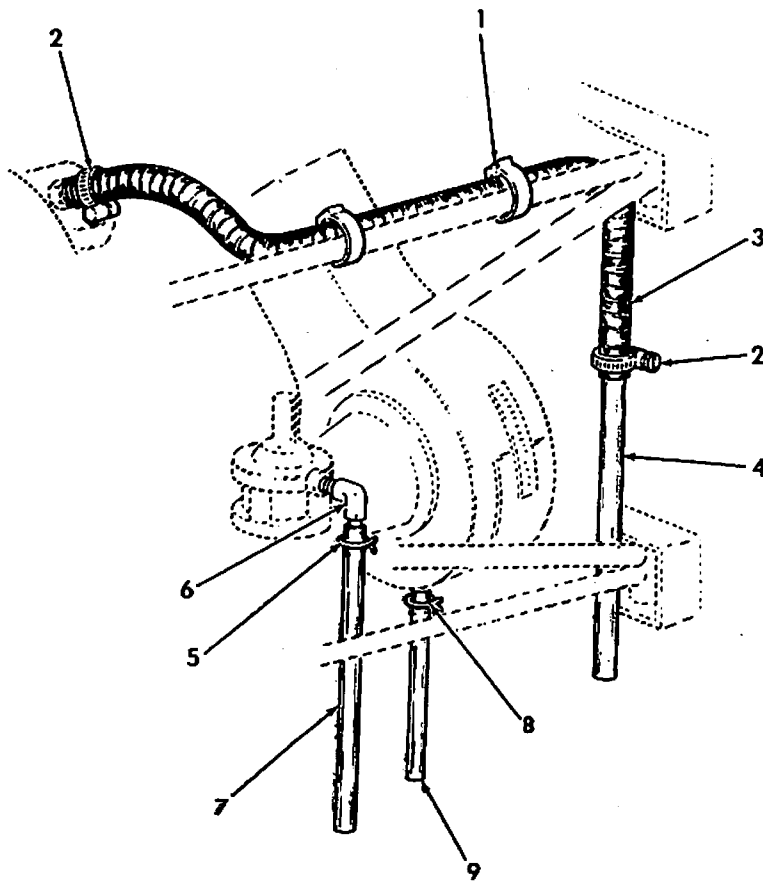
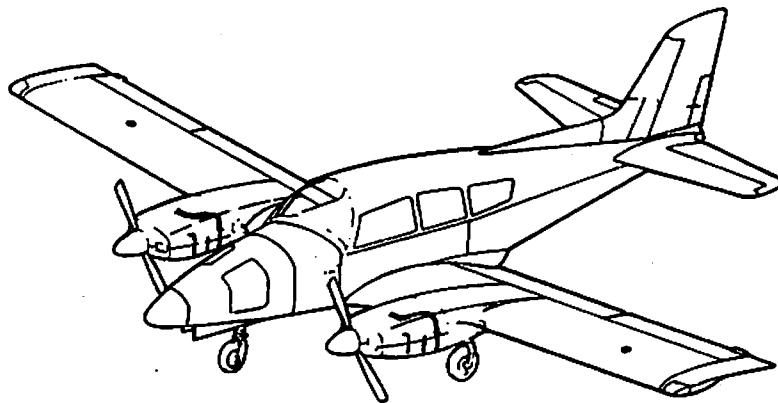
GRUMMAN AMERICAN AVIATION
GA-7/COUGAR
ILLUSTRATED PARTS CATALOG

Figure & Index No.	Part Number	Nomenclature 1 2 3 4 5 6 7	Units Per Assy	Usable On Code
71- 9 -	NO NUMBER	CARBURETOR INDUCTION AIR BOX INSTALLATION.....	NP	
- 1	7P10000-17	(SEE GAAC DRAWING 7P10000) ..DUCT, AIR, CARBURETOR.....	1	
- 2	QS10064S	(ATTACHING PARTS) ..CLAMP, PCSE, AIRCRAFT.....	2	
- 3	GAES425-S-10-176DUCT, HEAT, CARBURETOR.....	1	
- 4	AN737TW91	(ATTACHING PARTS) ..CLAMP, HOSE, AIRCRAFT.....	2	
- 5	5503005-511AIR BOX ASSEMBLY, CARBURETOR.....	1	
- 6	AN3-5 AN960-10 NAS680A3	(ATTACHING PARTS) ..BOLT, MACHINE, AIRCRAFT..... ..WASHER, FLAT..... ..NUT, PLATE.....	8 8 8	
- 7	7P10706-25SEAL.....	1	
- 8	5901018-1CLAMP, DOOR (ALTERED FROM AN737TW92).....	1	
- 9	5500015-501 5500015-1FILTER ASSEMBLY, INTAKE AIR..... ..COVER, FILTER.....	1 1	
- 10	GS551A-40	(ATTACHING PARTS) ...SCREW, SELF-LOCKING.....	2	
- 11	LL22G02P41 A10-80	...SCREW (OPTIONAL TO GS551A-40) (13257)..... ...RIVNUT (03481).....	2 2	
- 12	5500015-2COVER, FILTER (CARBURETOR SIDE).....	1	
- 13	8994656 8994657	...FILTER ASSEMBLY, AIR (70040)..... ...FILTER, AIR (REPLACEMENT ELEMENT FOR 8994656) (70040).....	1 1	
- 14	GAES416-1SEAL.....	1	
- 15	7P10907-47SCREEN.....	1	
- 16	5503005-577VALVE ASSEMBLY, CARBURETOR AIR.....	1	
- 17	MS35206-231 AN960-6L MS20365-632	(ATTACHING PARTS) ..SCREW, MACHINE..... ..WASHER, FLAT..... ..NUT.....	2 4 2	
- 18	5503005-23DOUBLER.....	1	
- 19	5503005-21SEAL.....	1	
- 20	5503005-22DOUBLER.....	1	
- 21	5503005-20SEAL.....	1	
- 22	5503005-14VALVE.....	1	
- 23	5503005-521VALVE ASSEMBLY, CARBURETOR HEAT.....	1	
- 24	MS35206-231 AN960-6 MS20365-632	(ATTACHING PARTS) ..SCREW, MACHINE..... ..WASHER, FLAT..... ..NUT.....	2 4 2	
- 25	5503005-50DOUBLER.....	1	
- 26	5503005-49SEAL.....	1	
- 27	5503005-52DOUBLER.....	1	
- 28	5503005-51SEAL.....	1	
- 29	5503005-13VALVE.....	1	
- 30	5503005-513SHAFT ASSEMBLY.....	1	
- 31	AN960-416LWASHER, FLAT.....	4	
- 32	4L4-FNYLINER (13257).....	2	
- 33	4L1-FFNYLINER (13257).....	1	
- 34	MS35489-7GROMMET.....	2	
- 35	7P10908-17ADAPTER ASSEMBLY.....	1	

GRUMMAN AMERICAN AVIATION
GA-7/COUGAR
ILLUSTRATED PARTS CATALOG

Figure & Index No.	Part Number	Nomenclature							Units Per Assy	Usable On Code
		1	2	3	4	5	6	7		
71- 9 - 36 - 37	MS24677-34 7P10907-37	(ATTACHING PARTS)								
		.SCREW.....							4	
	.WASHER, SPFCIAL (ALT-FRD FROM AN960C416).....								4	
	5503009-1	.GASKET.....							1	

GRUMMAN AMERICAN AVIATION
GA-7/COUGAR
ILLUSTRATED PARTS CATALOG



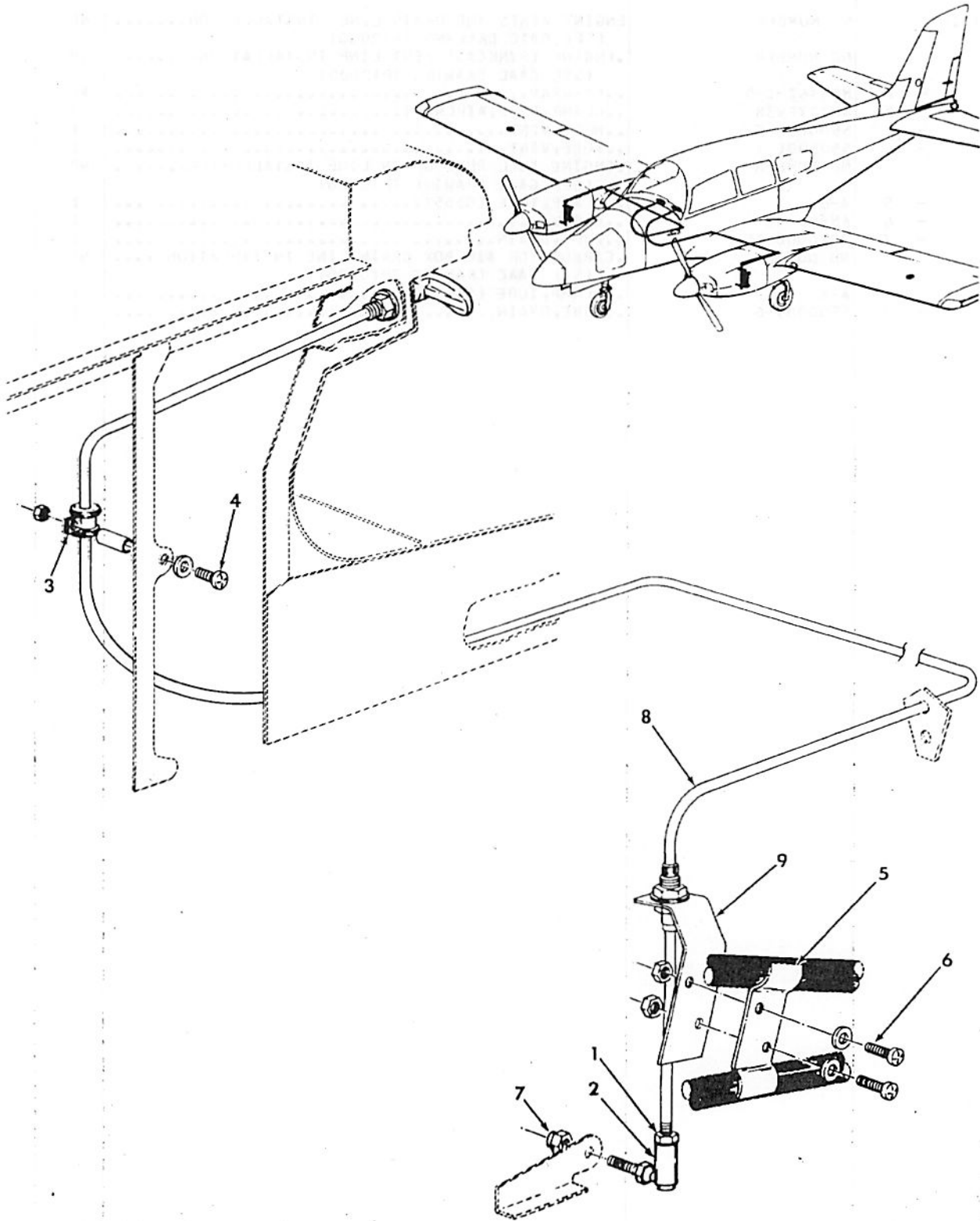
Engine Vents and Drain Lines Installation
Figure 71-10

71G74-10

GRUMMAN AMERICAN AVIATION
GA-7/COUGAR
ILLUSTRATED PARTS CATALOG

Figure & Index No.	Part Number	Nomenclature 1 2 3 4 5 6 7	Units Per Assy	Usable On Code
71-10 -	NO NUMBER	ENGINE VENTS AND DRAIN LINES INSTALLATION..... (SEE GAAC DRAWING 7P10030)	NP	
	NO NUMBER	.ENGINE CRANKCASE VENT LINE INSTALLATION..... (SEE GAAC DRAWING 7P10000)	NP	
- 1	MS3367-1-9	..TY-WRAP.....	AR	
- 2	AN737TW38	..CLAMP, HOSE, AIRCRAFT.....	2	
- 3	5500006-5	..HOSE, VENT.....	1	
- 4	5505001-1	..TUBE, VENT.....	1	
	NO NUMBER	.ENGINE FUEL PUMP DRAIN LINE INSTALLATION..... (SEE GAAC DRAWING 7P10000)	NP	
- 5	A-6	..CLAMP, TUBE (05657).....	1	
- 6	AN842-4D	..ELBOW.....	1	
- 7	7P10000-15	..TUBE, DRAIN.....	1	
	NO NUMBER	.CARBURETOR AIR BOX DRAIN LINE INSTALLATION..... (SEE GAAC DRAWING 7P10000)	NP	
- 8	A-6	..CLAMP, TUBE (05657).....	1	
- 9	5500009-6	..TUBE, DRAIN.....	1	

GRUMMAN AMERICAN AVIATION
GA-7/COUGAR
ILLUSTRATED PARTS CATALOG



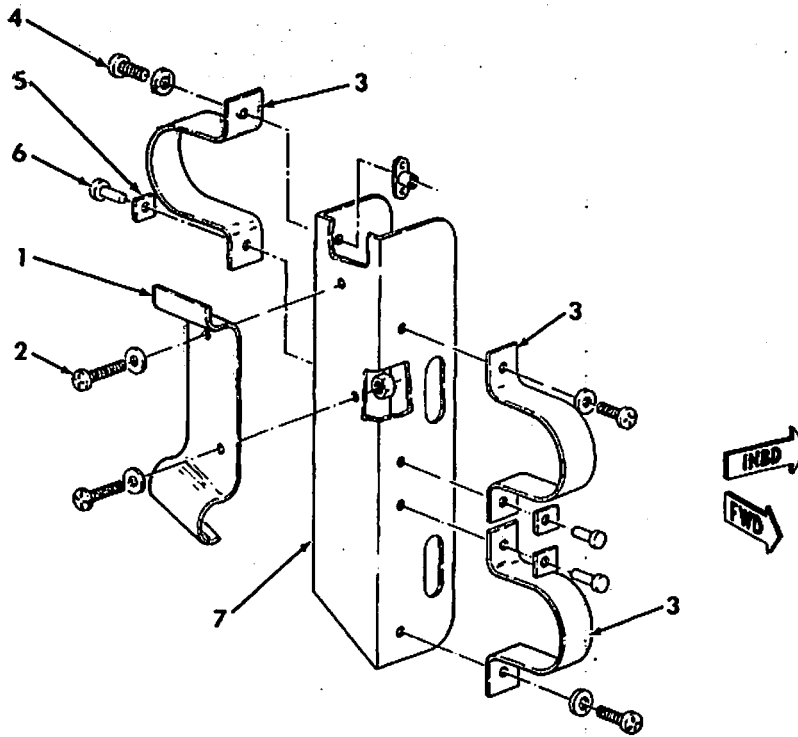
Cow1 Flap Control Installation
Figure 71-11

71G74-11

GRUMMAN AMERICAN AVIATION
GA-7/COUGAR
ILLUSTRATED PARTS CATALOG

Figure & Index No.	Part Number	Nomenclature 1 2 3 4 5 6 7	Units Per Assy	Usable On Code
71-11 -	7P10904-1	COWL FLAP CONTROL INSTALLATION.....	NP	
- 1	AN315-3R	.NUT, PLAIN, HEX.....	1	
- 2	LK862	.BALL JOINT (70436).....	1	
- 3	MS21919-4	.CLAMP, LCCP-TYPE, AIRCRAFT..... (ATTACHING PARTS)	1	
- 4	MS35207-262	.SCREW, MACHINE.....	1	
	AN960010L	.WASHER, FLAT.....	1	
	MS20365-1032C	.NUT, SELF-LOCKING.....	1	
- 5	7P10904-13	.BRACKET..... (ATTACHING PARTS FOR INDEXES 5 AND 9)	1	
- 6	MS35207-262	.SCREW, MACHINE.....	2	
	AN960010L	.WASHER, FLAT.....	2	
	MS20365-1032C	.NUT, SELF-LOCKING.....	2	
- 7	MS20365-1032C	.NUT, SELF-LOCKING.....	1	
- 8	7P13000-12	.CONTROL, PUSH-PULL, COWL FLAP.....	1	
	7P13000-11	.CONTROL, PUSH-PULL, COWL FLAP.....	1	
- 9	7P10904-17	.BRACKET.....	1	

GRUMMAN AMERICAN AVIATION
GA-7/COUGAR
ILLUSTRATED PARTS CATALOG



Instrumentation Transmitters Bracket Assembly
Figure 71-12

71G74-12

GRUMMAN AMERICAN AVIATION
GA-7/COUGAR
ILLUSTRATED PARTS CATALOG

Figure & Index No.	Part Number	Nomenclature							Units Per Assy	Usable On Code
		1	2	3	4	5	6	7		
71-12 -	7P10612-1	INSTRUMENTATION TRANSMITTERS BRACKET.....							RF	
- 1	7P10612-11	ASSEMBLY (SEE FIGURE 71-1 FOR NHA)								
- 2	MS27039-1-09	.CLAMP.....							1	
	AN960-10	(ATTACHING PARTS)								
	MS21083N3	.SCREW, MACHINE.....							2	
		.WASHER, FLAT.....							2	
		.NUT, SELF-LOCKING.....							2	
- 3	7P10612-23	.CLAMP.....							3	
		(ATTACHING PARTS)								
- 4	MS27039-0808	.SCREW, MACHINE.....							3	
	AN960-8	.WASHER, FLAT.....							3	
	NAS697A08	.NUT, PLATE.....							3	
- 5	7P10612-21	.PLATE.....							3	
		(ATTACHING PARTS)								
- 6	MS20470AD5	.RIVET.....							3	
- 7	7P10612-17	.BRACKET.....							1	

STATE OF CALIFORNIA
DEPARTMENT OF REVENUE
OFFICE OF THE COMMISSIONER

Description of Property	Assessed Value	Taxable Value
[Illegible text]	[Illegible text]	[Illegible text]
[Illegible text]	[Illegible text]	[Illegible text]
[Illegible text]	[Illegible text]	[Illegible text]
[Illegible text]	[Illegible text]	[Illegible text]
[Illegible text]	[Illegible text]	[Illegible text]
[Illegible text]	[Illegible text]	[Illegible text]
[Illegible text]	[Illegible text]	[Illegible text]
[Illegible text]	[Illegible text]	[Illegible text]
[Illegible text]	[Illegible text]	[Illegible text]
[Illegible text]	[Illegible text]	[Illegible text]
[Illegible text]	[Illegible text]	[Illegible text]
[Illegible text]	[Illegible text]	[Illegible text]
[Illegible text]	[Illegible text]	[Illegible text]
[Illegible text]	[Illegible text]	[Illegible text]
[Illegible text]	[Illegible text]	[Illegible text]
[Illegible text]	[Illegible text]	[Illegible text]



GRUMMAN AMERICAN AVIATION
GA-7/COUGAR
ILLUSTRATED PARTS CATALOG

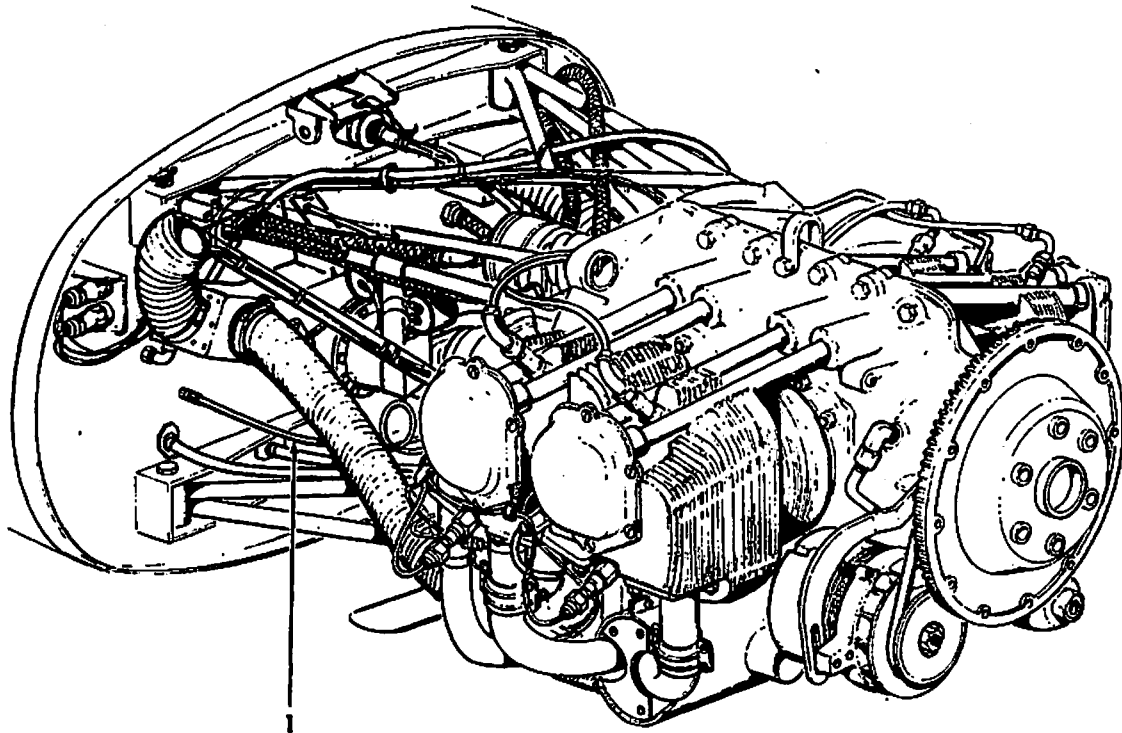
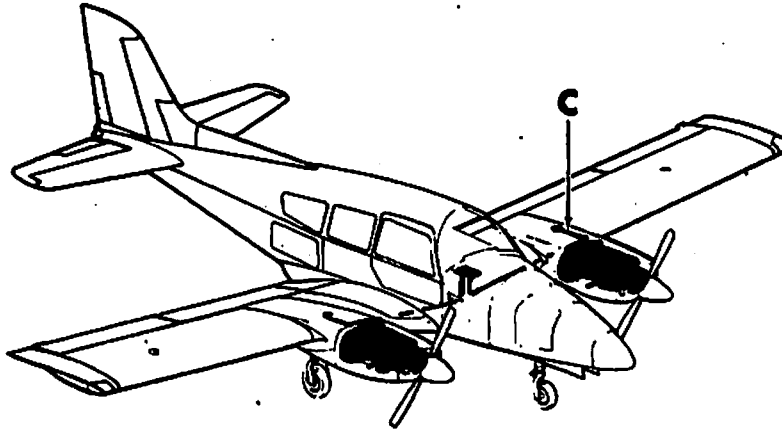
CHAPTER 73

ENGINE FUEL AND CONTROL

TABLE OF CONTENTS

<u>SUBJECT</u>	<u>FIGURE NUMBER</u>
ENGINE FUEL AND CONTROL INSTALLATION	73-1
ENGINE THROTTLE, FUEL MIXTURE AND CARBURETOR HEAT INSTALLATION	73-2
FUEL SELECTOR VALVE CONTROL CABLE INSTALLATION	73-3
FUEL PRESSURE INDICATING INSTALLATION	73-4

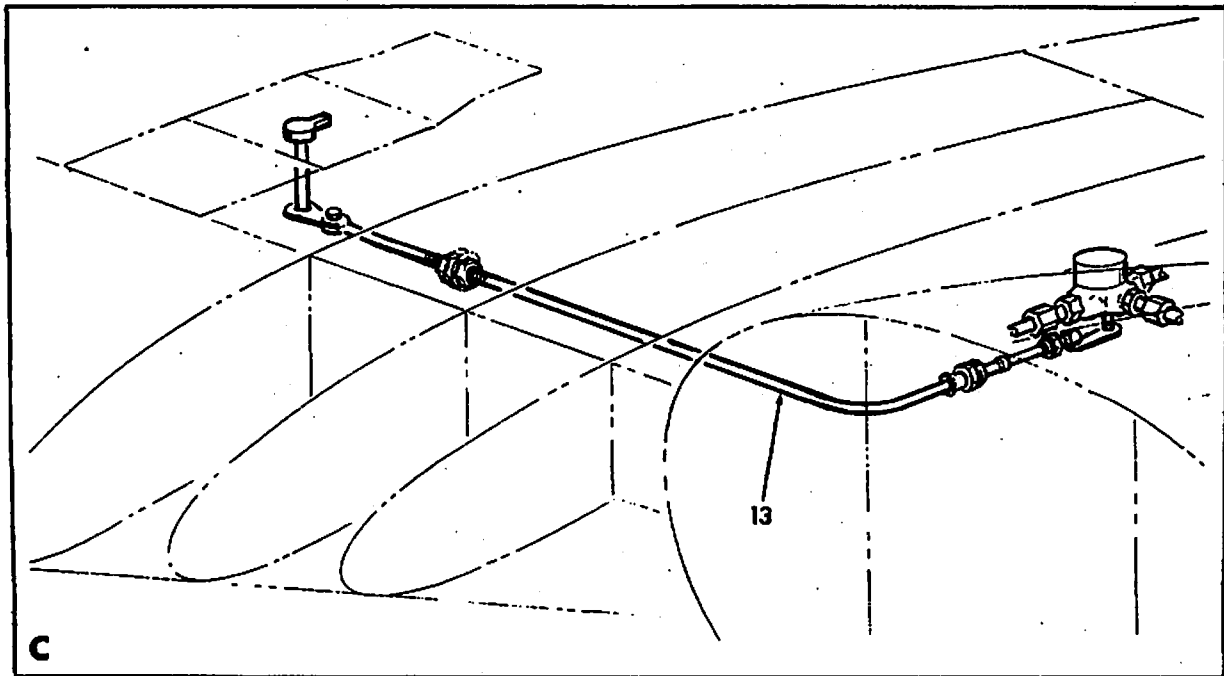
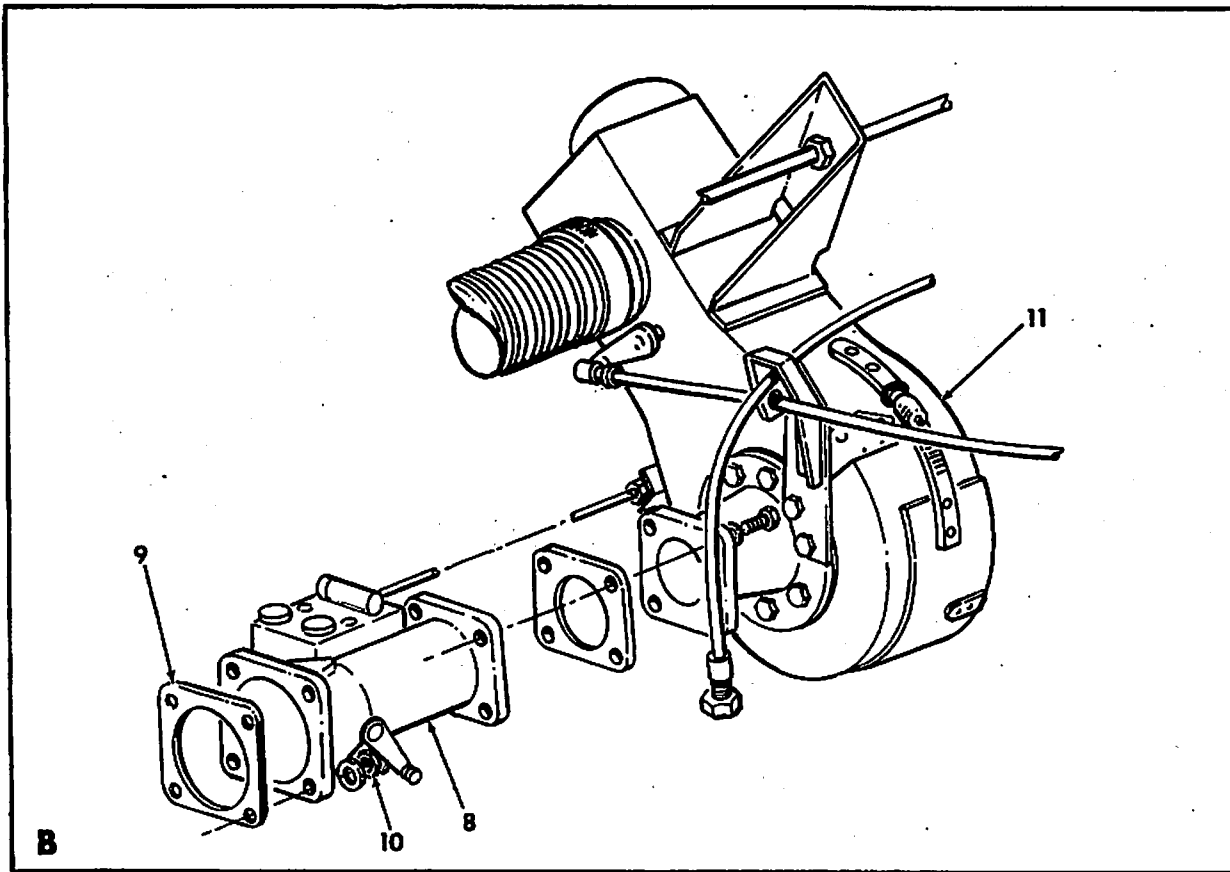
GRUMMAN AMERICAN AVIATION
GA-7/COUGAR
ILLUSTRATED PARTS CATALOG



Engine Fuel and Control Installation
Figure 73-1 (Sheet 1 of 3)

73G74-01-1

GRUMMAN AMERICAN AVIATION
GA-7/COUGAR
ILLUSTRATED PARTS CATALOG



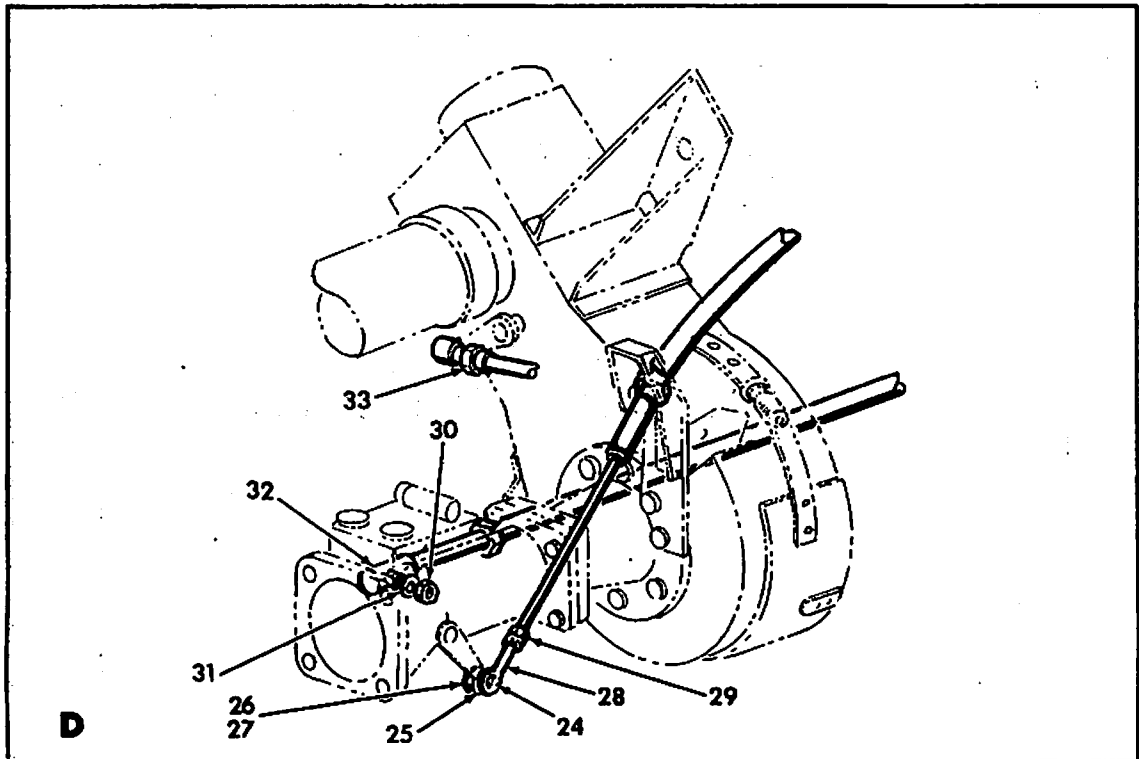
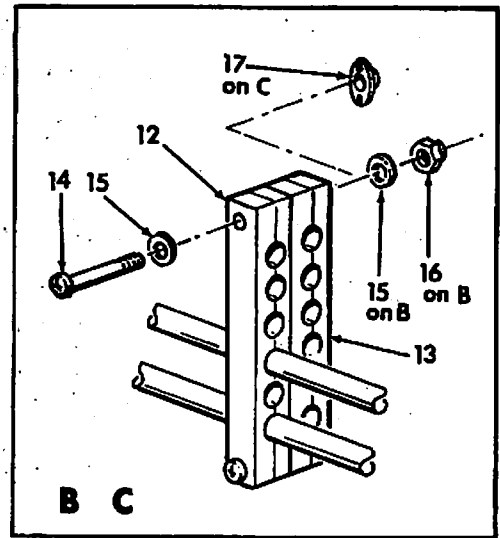
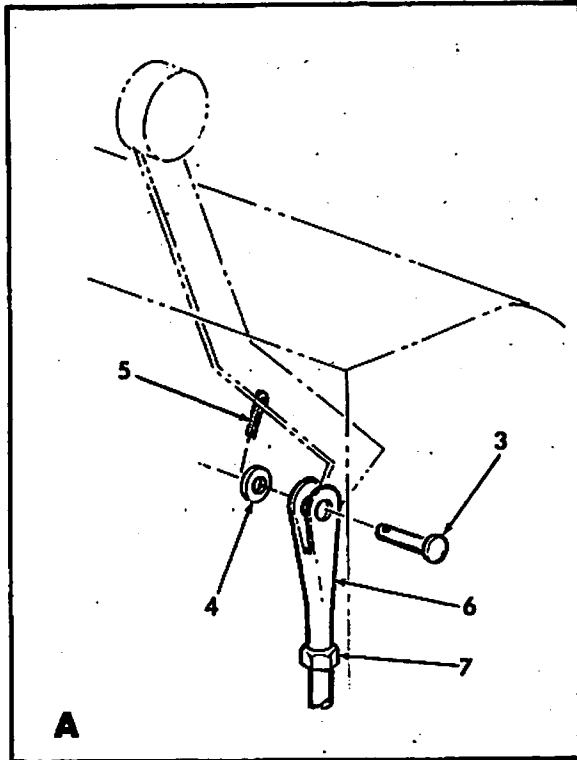
Engine Fuel and Control Installation
Figure 73-1 (Sheet 3 of 3)

73074-01-3

GRUMMAN AMERICAN AVIATION
GA-7/COUGAR
ILLUSTRATED PARTS CATALOG

Figure & Index No.	Part Number	Nomenclature							Units Per Assy	Usable On Code
		1	2	3	4	5	6	7		
73- 1 -	NO NUMBER	ENGINE FUEL AND CONTROL INSTALLATION (REFER..... TO GAAC DRAWING 7P10000) (LEFT SIDE SHOWN, RIGHT SIDE SAME)							NP	
- 1	7P11004-1	.PRIMER LINE, FUEL (SEE CHAPTER 28 FOR NHA).....							RF	
- 2	GAES1325-9-0155-F	.HOSE ASSEMBLY, FUEL LINE (SEE CHAPTER 28 FOR..... NHA)							RF	
- 3	75246	.PUMP, FUEL, LOW PRESSURE (REFER TO AVCO..... LYCOMING O-320 SERIES AIRCRAFT ENGINE PARTS CATALOG) (80254)							RF	
- 4		(ATTACHING PARTS)								
	STD1882	.GASKET, FUEL PUMP (80254).....							1	
	STD33	.SCREW (80254).....							4	
		.WASHER (80254).....							4	
- 5	5401116-501	.TUBE ASSEMBLY, FUEL (PUMP TO CARBURETOR).....							1	
- 6	MS29512-06	.PACKING, O-RING.....							1	
	AN924-6	.NUT, LOCK.....							1	
	5401118-501	.FITTING, FUEL LINE.....							1	
- 7	5901019-2	.FITTING, FUEL LINE (CARBURETOR).....								
- 8	LW-13753	.CARBURETOR, MODEL HA-6 (REFER TO AVCO..... LYCOMING O-320 SERIES AIRCRAFT ENGINE PARTS CATALOG) (80254)							RF	
		(ATTACHING PARTS)								
- 9	66224	.GASKET, CARBURETOR (80254).....							1	
- 10	STD35	.WASHER, PLAIN (80254).....							4	
	STD1410	.NUT, PLAIN (80254).....							4	
	STD1763	.NUT, LOCK (80254).....							4	
- 11	5503005-511	.AIR BOX ASSEMBLY, INDUCTION, CARBURETOR..... (REFER TO CHAPTER 71 FOR DETAIL BREAKDOWN)							RF	
- 12	7P10901-1	.ENGINE THROTTLE, FUEL MIXTURE AND..... CARBURETOR HEAT CONTROL INSTALLATION (SEE FIGURE 73-2 FOR DETAIL BREAKDOWN)							RF	
- 13	7P10905-1	.FUEL SELECTOR VALVE CONTROL CABLE..... INSTALLATION (LEFT ENGINE) (SEE FIGURE 73-3 FOR DETAIL BREAKDOWN)							RF	
	7P10905-2	.FUEL SELECTOR VALVE CONTROL CABLE..... INSTALLATION (RIGHT ENGINE) (SEE FIGURE 73-3 FOR DETAIL BREAKDOWN)							RF	
- 14	NO NUMBER	.FUEL PRESSURE INDICATING INSTALLATION..... (SEE FIGURE 73-4 FOR DETAIL BREAKDOWN)							RF	

GRUMMAN AMERICAN AVIATION
GA-7/COUGAR
ILLUSTRATED PARTS CATALOG



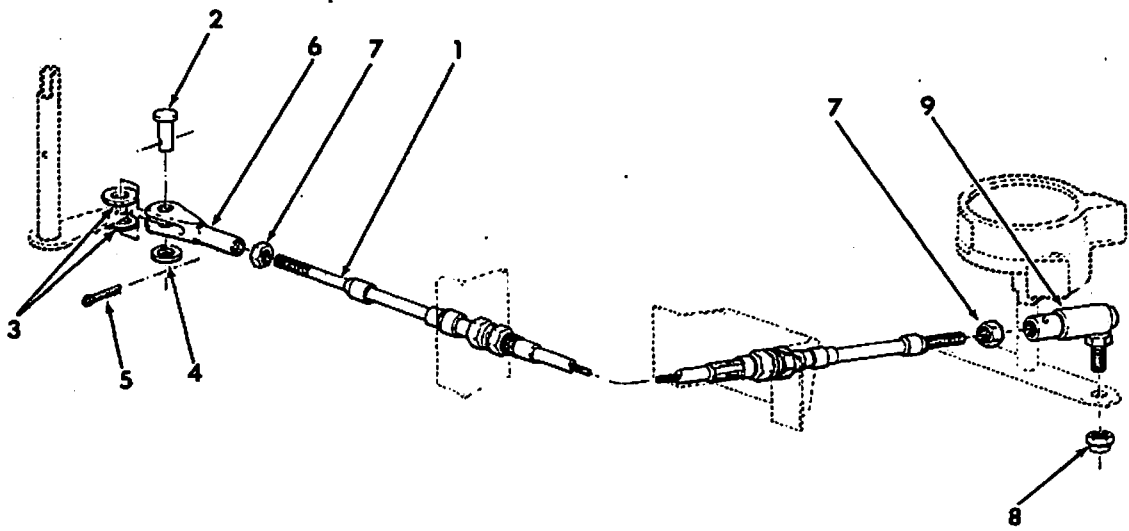
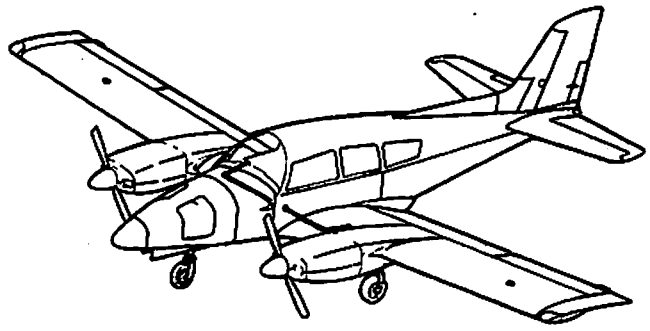
Engine Throttle, Fuel Mixture and Carburetor
 Heat Control Installation
 Figure 73-2 (Sheet 2 of 2)

73G74-02-2

GRUMMAN AMERICAN AVIATION
GA-7/COUGAR
ILLUSTRATED PARTS CATALOG

Figure & Index No.	Part Number	Nomenclature	Units Per Assy	Usable On Code
73- 2 -	7P10901-1	ENGINE THROTTLE, FUEL MIXTURE AND CARBURETOR..... HEAT CONTROL INSTALLATION (SEE FIGURE 73-1 FOR NHA)	NP	
- 1	7P13000-45	.CABLE ASSEMBLY, THROTTLE (LH).....	1	
	7P13000-44	.CABLE ASSEMBLY, THROTTLE (RH).....	1	
- 2	7P13000-42	.CABLE ASSEMBLY, FUEL MIXTURE (LH).....	1	
	7P13000-43	.CABLE ASSEMBLY, FUEL MIXTURE (RH)..... (ATTACHING PARTS FOR INDEX NUMBERS 1 AND 2)	1	
- 3	MS20392-2C13	.PIN, CLEVIS.....	1	
- 4	AN960-10	.WASHER.....	1	
- 5	MS24665-132	.PIN, COTTER.....	1	
- 6	AN665-21R	.CLEVIS, ROD END.....	1	
- 7	AN315-3R	.NUT.....	1	
- 8	7P10312-15	.BRACKET (COMMON FOR ALL CABLES).....	1	
- 9	MS35207-264	.SCREW (COMMON FOR ALL CABLES).....	3	
	AN960010	.WASHER (COMMON FOR ALL CABLES).....	3	
- 10	7P10329-15	.CLAMP HALF (COMMON FOR ALL CABLES).....	2	
- 11	MS35207-268	.SCREW (COMMON FOR ALL CABLES).....	2	
	MS35338-43	.WASHER (COMMON FOR ALL CABLES).....	2	
	AN960-10	.WASHER (COMMON FOR ALL CABLES).....	2	
- 12	7P10329-13	.CLAMP HALF (LEFT SIDE SHOWN, RIGHT SIDE SAME)	6	
- 13	7P10329-17	.CLAMP HALF (LEFT SIDE SHOWN, RIGHT SIDE SAME)	6	
- 14	MS35207-271	.SCREW.....	6	
- 15	AN960-10	.WASHER.....	10	
- 16	MS20364-1032	.NUT.....	4	
- 17	MS21069L3	.NUT, PLATE.....	2	
- 18	7P10706-13	.SEAL (USED ON 7P13000-45 AND 7P13000-44).....	1	
- 19	7P10907-21	.COVER (USED ON 7P13000-45 AND 7P13000-44).....	1	
- 20	MS35206-245	.SCREW (USED ON 7P13000-45 AND 7P13000-44).....	3	
- 21	7P10706-17	.SEAL (USED ON 7P13000-42 AND 7P13000-43).....	1	
- 22	7P10907-19	.COVER (USED ON 7P13000-42 AND 7P13000-43).....	1	
- 23	MS35206-13	.SCREW (USED ON 7P13000-42 AND 7P13000-43).....	4	
- 24	ANS-7	.BOLT (USED ON 7P13000-45 AND 7P13000-44).....	1	
- 25	AN960-10	.WASHER (USED ON 7P13000-45 AND 7P13000-44).....	1	
- 26	AN310-1J	.NUT (USED ON 7P13000-45 AND 7P13000-44).....	1	
- 27	MS24665-132	.PIN, COTTER (USED ON 7P13000-45 AND 7P13000-44)	1	
- 28	HRBL3	.ROD END (USED ON 7P13000-44 AND 7P13000-45)..... (15860)	1	
- 29	AN315-3R	.NUT.....	1	
- 30	MS20364-1032C	.NUT (USED ON 7P13000-42 AND 7P13000-43).....	1	
- 31	AN960-10	.WASHER (USED ON 7P13000-42 AND 7P13000-43).....	1	
- 32	LK862	.BALL JOINT (USED ON 7P13000-42 AND 7P13000-43) (70436)	1	
- 33	7P13000-23	.CABLE ASSEMBLY, CARBURETOR HEAT (LH) (SEE..... CHAPTER 30 FOR INSTALLATION AND NHA)	RF	
	7P13000-24	.CABLE ASSEMBLY, CARBURETOR HEAT (RH) (SEE..... CHAPTER 30 FOR INSTALLATION AND NHA)	RF	

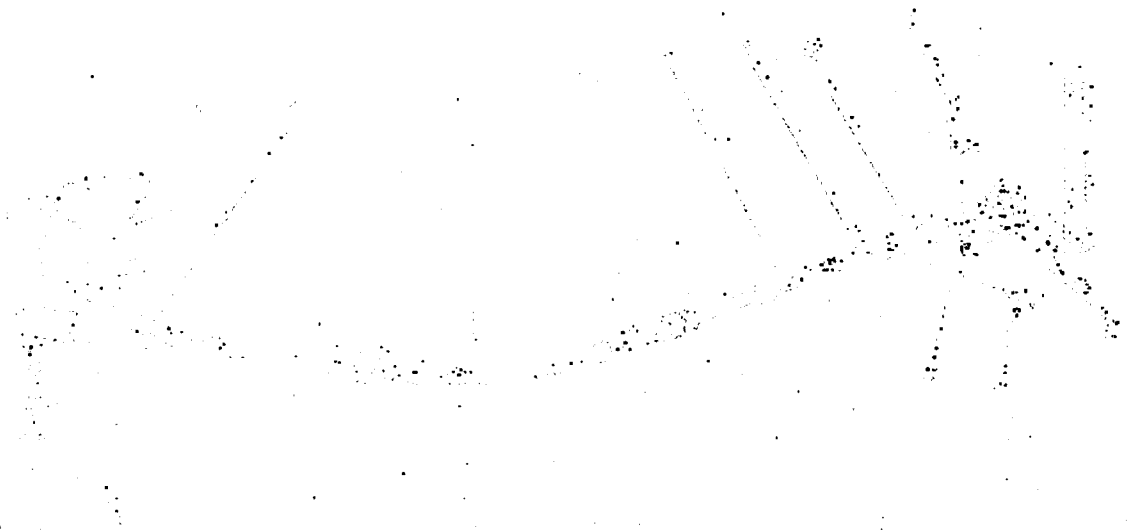
GRUMMAN AMERICAN AVIATION
GA-7/COUGAR
ILLUSTRATED PARTS CATALOG



Fuel Selector Valve Control Cable Installation
Figure 73-3

73G74-03

CONFIDENTIAL



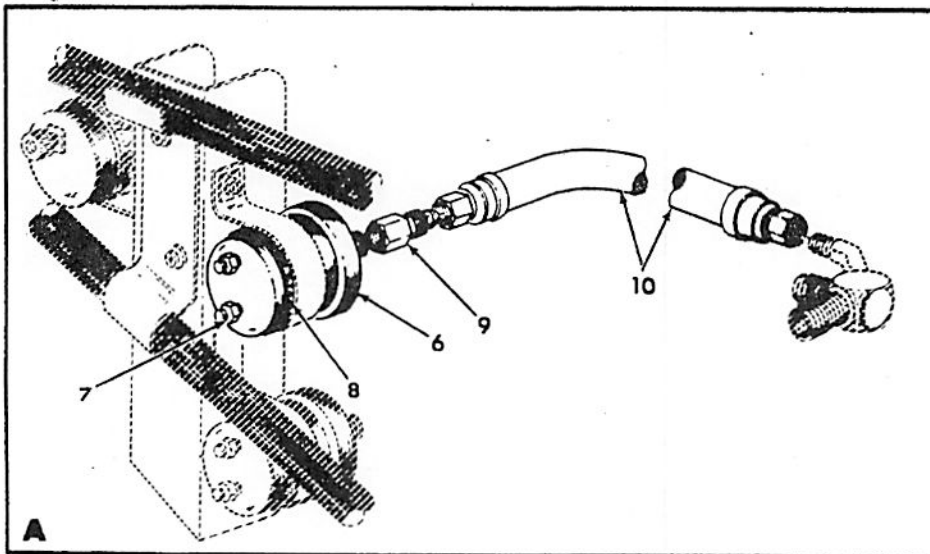
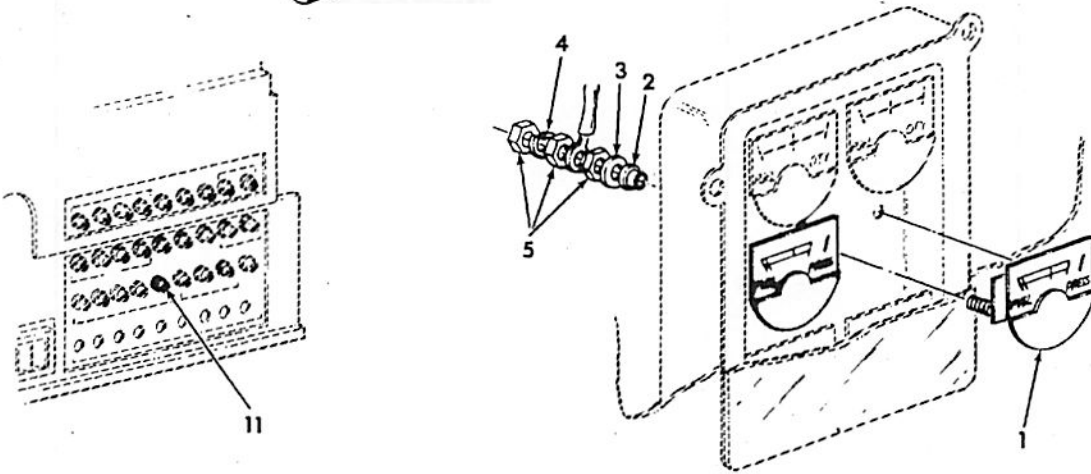
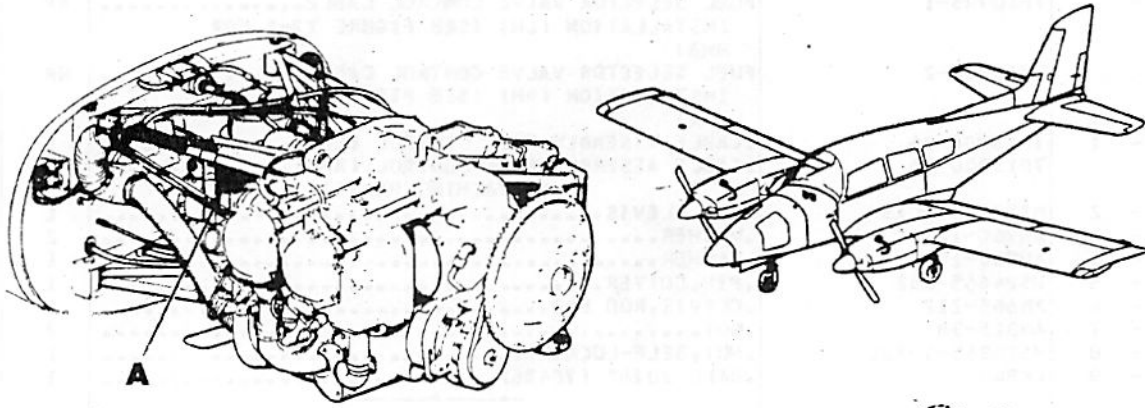
CONFIDENTIAL



GRUMMAN AMERICAN AVIATION
GA-7/COUGAR
ILLUSTRATED PARTS CATALOG

Figure & Index No.	Part Number	Nomenclature							Units Per Assy	Usable On Code	
		1	2	3	4	5	6	7			
73- 3 -	7P10905-1	FUEL SELECTOR VALVE CONTROL CABLE.....							NP		
	INSTALLATION (LH) (SEE FIGURE 73-1 FOR NHA)										
	7P10905-2	FUEL SELECTOR VALVE CONTROL CABLE.....							NP		
	INSTALLATION (RH) (SEE FIGURE 73-1 FOR NHA)										
	- 1	7P13000-34	.CABLE ASSEMBLY, FUEL CONTROL (LH).....							1	
		7P13000-33	.CABLE ASSEMBLY, FUEL CONTROL (RH).....							1	
			(ATTACHING PARTS)								
	- 2	MS20392-2C13	.PIN, CLEVIS.....							1	
	- 3	AN960-10	.WASHER.....							2	
	- 4	AN960-10L	.WASHER.....							1	
	- 5	MS24665-132	.PIN, COTTER.....							1	
- 6	AN665-212	.CLEVIS, ROD END.....							1		
- 7	AN315-3R	.NUT.....							2		
- 8	MS20365-1032C	.NUT, SELF-LOCKING.....							1		
- 9	LK862	.BALL JOINT (70436).....							1		

GRUMMAN AMERICAN AVIATION
GA-7/COUGAR
ILLUSTRATED PARTS CATALOG



Fuel Pressure Indicating Installation
Figure 73-4

73G74-04

GRUMMAN AMERICAN AVIATION

GA-7/COUGAR

ILLUSTRATED PARTS CATALOG

Figure & Index No.	Part Number	Nomenclature	1 2 3 4 5 6 7							Units Per Assy	Usable On Code
73- 4 -	NO NUMBER	FUEL PRESSURE INDICATING INSTALLATION (SEE.....								NP	
- 1	6246-00086	FIGURE 73-01 FOR NHA) .GAGE ASSEMBLY, FUEL PRESSURE (09393).....								2	
		[ATTACHING PARTS]									
- 2	28-439	.WASHER, NYLON (09393).....								2	
- 3	28-403	.WASHER, BRASS (09393).....								2	
- 4	41-401	.WASHER, LOCK (09393).....								2	
- 5	44-402	.NUT, BRASS (09393).....								6	

- 6	7SCF012-1	.TRANSDUCER, FUEL PRESSURE.....								2	
		[ATTACHING PARTS]									
- 7	28-431	.WASHER, FLAT (09392).....								4	
	41-409	.WASHER, LOCK (09393).....								4	
	44-408	.NUT (09393).....								4	

- 8	1234	.STRAP, GRCOND (92194).....								2	
- 9	MS5150384	.FITTING, TRANSDUCER.....								2	
- 10	GAES1325-2-025-F	.HOSE ASSEMBLY.....								2	
- 11	1670-019-050	.CIRCUIT BREAKER, FUEL PRESSURE, 5 AMP.....								2	
		(05231)									

SECRET

1. The first part of the document discusses the general situation of the country and the progress of the revolution. It mentions the importance of the people's support and the role of the revolutionary committees.

2. The second part of the document deals with the economic situation and the measures taken to improve it. It emphasizes the need for a planned economy and the role of the state in organizing production and distribution.

3. The third part of the document focuses on the cultural and educational aspects of the revolution. It stresses the importance of raising the cultural and educational level of the population and promoting the development of the arts and sciences.

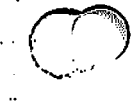
4. The fourth part of the document discusses the international situation and the country's relations with other countries. It mentions the country's commitment to peace and cooperation with all countries, regardless of their political systems.

5. The fifth part of the document deals with the military situation and the role of the armed forces. It emphasizes the importance of the military in the revolution and the need for a strong and unified military force.

6. The sixth part of the document discusses the role of the youth in the revolution. It stresses the importance of the youth in building the new society and promoting the development of the country.

7. The seventh part of the document deals with the role of the women in the revolution. It emphasizes the importance of the women in the revolution and the need for their full participation in all aspects of the country's life.

8. The eighth part of the document discusses the role of the workers in the revolution. It stresses the importance of the workers in the revolution and the need for their full participation in all aspects of the country's life.



GRUMMAN AMERICAN AVIATION
GA-7/COUGAR
ILLUSTRATED PARTS CATALOG

CHAPTER 74

IGNITION

TABLE OF CONTENTS

SUBJECT

**FIGURE
NUMBER**

AIRCRAFT ENGINE IGNITION INSTALLATION

74-1

GRUMMAN AMERICAN AVIATION

GA-7/COUGAR

ILLUSTRATED PARTS CATALOG

Figure & Index No.	Part Number	Nomenclature							Units Per Assy	Usable On Code
		1	2	3	4	5	6	7		
74- 1 -	NO NUMBER	AIRCRAFT ENGINES IGNITION INSTALLATION.....							NP	
- 1	REN-40E	.SPARK PLUG (86850) (REFER TO AVCO LYCOMING.....							16	
		SERVICE INSTRUCTION NUMBER 1042 FOR								
		APPROVED ALTERNATE SHIELDED PLUGS)								
- 2	NO NUMBER	.HARNES,SHIELDED IGNITION (09033) (REFER.....							2	
		TC AVCC LYCOMING 0-320 SERIES AIRCRAFT								
		ENGINE PARTS CATALOG)								
- 3	4051	.MAGNETO,LEFT (09033).....							2	
	4050	.MAGNETO,RIGHT (09033).....							2	
- 4	2FA54-73	.SWITCH,TOGGLE (73555).....							4	
	7AV10101-9	.CABLE ASSEMBLY,LEFT ENGINE (W9) (REFER TO.....							1	
		SPECIFIC CHAPTERS AND SYSTEMS FOR								
		ADDITIONAL COMPONENTS)								
	7AV10101-11	.CABLE ASSEMBLY,RIGHT ENGINE (W11) (REFER TO....							1	
		SPECIFIC CHAPTERS AND SYSTEMS FOR								
		ADDITIONAL COMPONENTS)								
- 5	1-480711-0	.CONNECTOR,CAP HOUSING (J14,J16) (00779).....							1	
	7AV10101-13	.CABLE ASSEMBLY,LEFT ENGINE (W13) (REFER TO.....							1	
		SPECIFIC CHAPTERS AND SYSTEMS FOR								
		ADDITIONAL COMPONENTS)								
	7AV10101-15	.CABLE ASSEMBLY,RIGHT ENGINE (W15) (REFER TO....							1	
		SPECIFIC CHAPTERS AND SYSTEMS FOR								
		ADDITIONAL COMPONENTS)								
		(ATTACHING PARTS)								
- 6	MS35206-227	.SCREW.....							4	
	AN960-6L	.WASHER.....							8	
	MS20364-632C	.NUT.....							4	
- 7	1-480710-0	.CONNECTOR,PLUG HOUSING (P14,P16) (00779).....							1	
- 8	206036-1	.CONNECTOR,RECEPTACLE (J18,J20) (00779).....							1	
	7AV10101-17	.CABLE ASSEMBLY,LEFT ENGINE (W17) (REFER TO.....							1	
		SPECIFIC CHAPTERS AND SYSTEMS FOR								
		ADDITIONAL COMPONENTS)								
	7AV10101-19	.CABLE ASSEMBLY,RIGHT ENGINE (W19) (REFER TO....							1	
		SPECIFIC CHAPTERS AND SYSTEMS FOR								
		ADDITIONAL COMPONENTS)								
- 9	206037-1	.CONNECTOR,PLUG (P18,P20) (00779).....							1	

THE UNIVERSITY OF CHICAGO
DIVISION OF THE PHYSICAL SCIENCES
DEPARTMENT OF CHEMISTRY
5708 SOUTH CAMPUS DRIVE
CHICAGO, ILLINOIS 60637
TEL: 773-936-3700
FAX: 773-936-3700
WWW: WWW.CHEM.UCHICAGO.EDU

RECEIVED
DATE
BY



GRUMMAN AMERICAN AVIATION
GA-7/COUGAR
ILLUSTRATED PARTS CATALOG

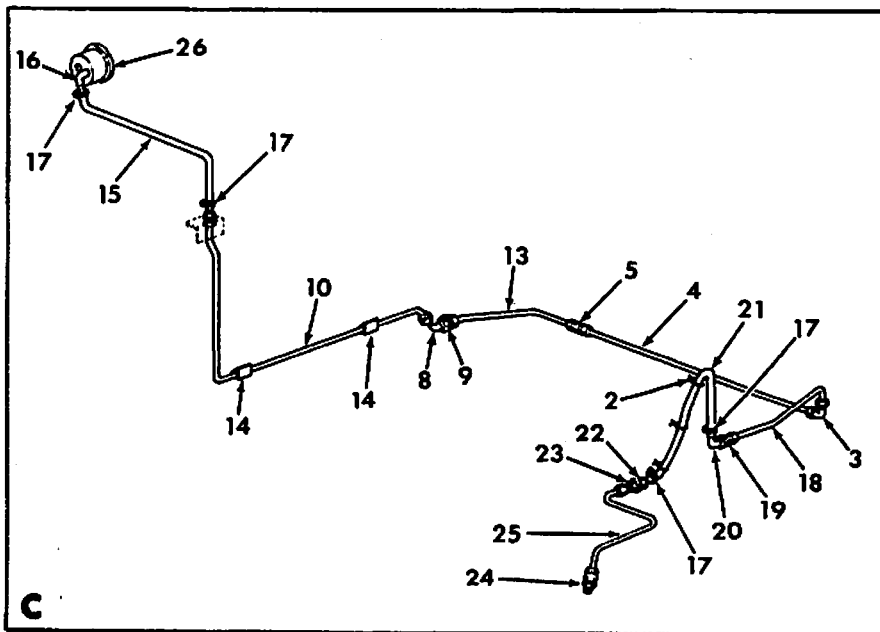
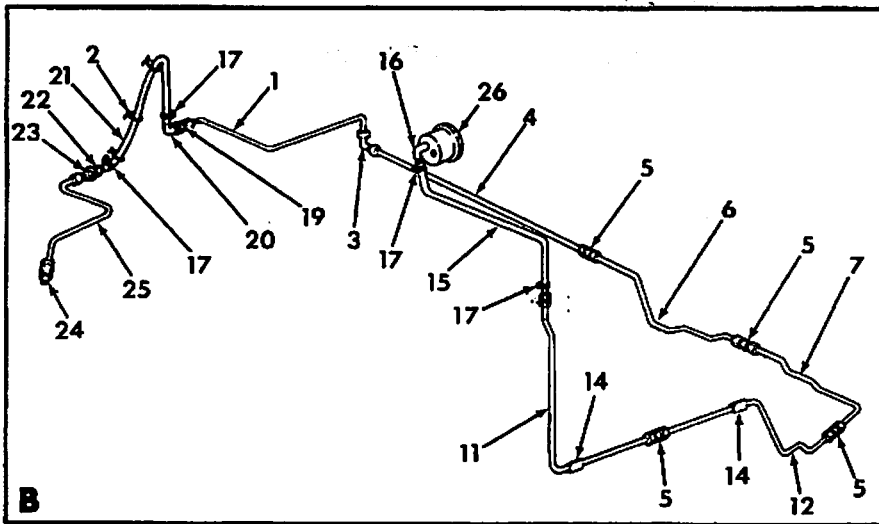
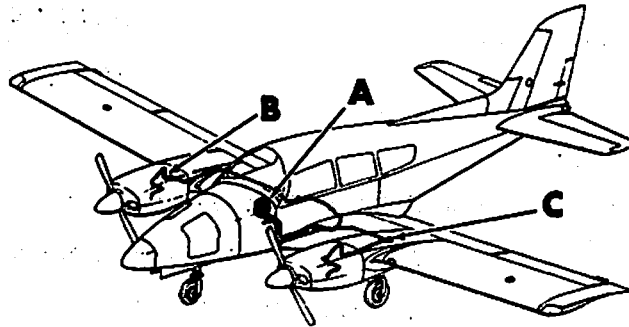
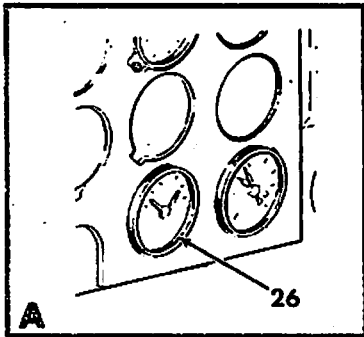
CHAPTER 77

ENGINE INDICATING

TABLE OF CONTENTS

<u>SUBJECT</u>	<u>FIGURE NUMBER</u>
MANIFOLD PRESSURE SYSTEM INSTALLATION	77-1
CYLINDER HEAD TEMPERATURE SYSTEM INSTALLATION	77-2
HOUR METER INSTALLATION (OPTIONAL)	77-3
TACHOMETER GENERATOR INSTALLATION	77-4
EXHAUST GAS TEMPERATURE INSTALLATION (OPTIONAL)	77-5

GRUMMAN AMERICAN AVIATION
GA-7/COUGAR
ILLUSTRATED PARTS CATALOG



Manifold Pressure System Installation
Figure 77-1

77G74-01

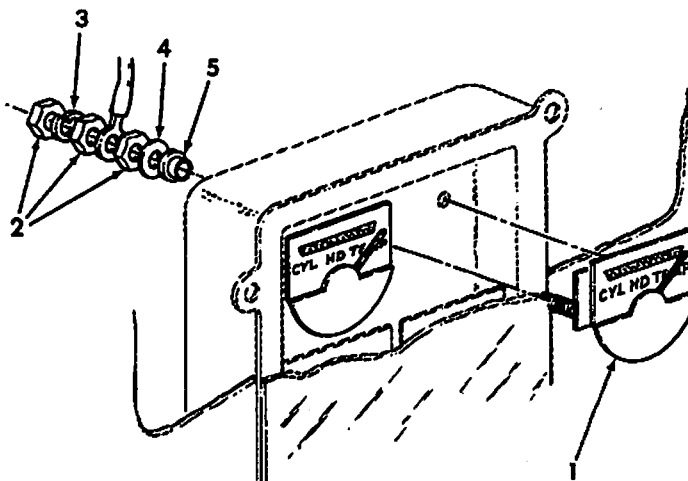
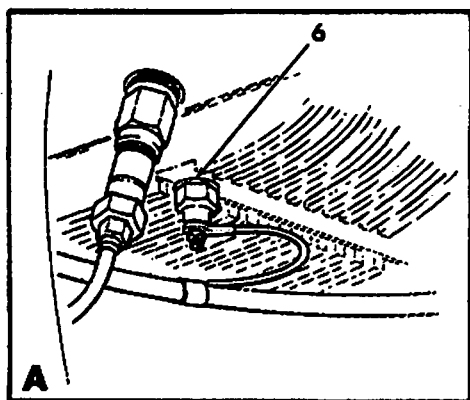
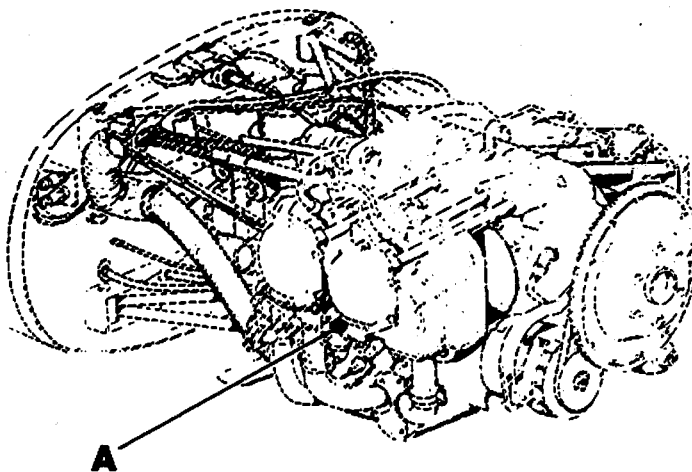
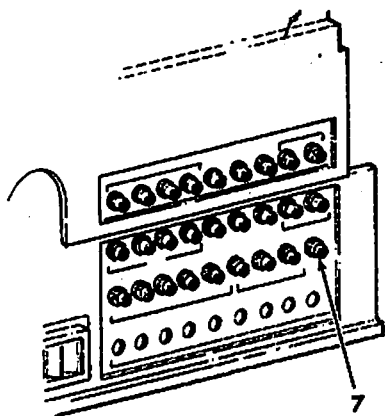
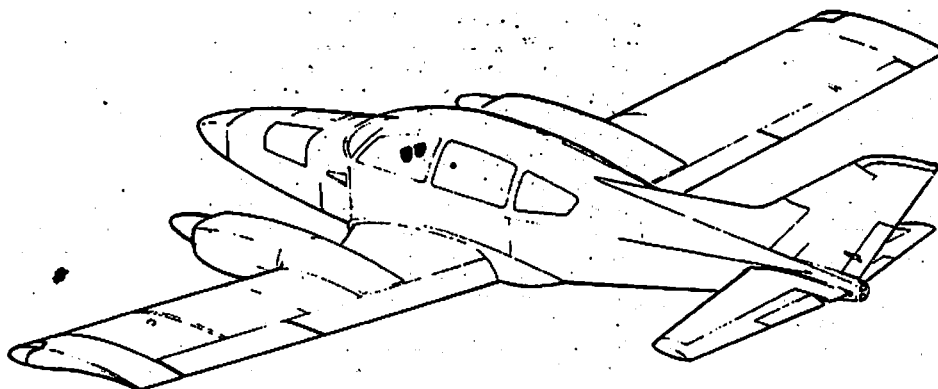
GRUMMAN AMERICAN AVIATION

GA-7/COUGAR

ILLUSTRATED PARTS CATALOG

Figure & Index No.	Part Number	Nomenclature							Units Per Assy	Usable On Code
		1	2	3	4	5	6	7		
77- 1 -	7F10120-1	MANIFOLD PRESSURE SYSTEM INSTALLATION.....							RF	
- 1	7F10122-005MP-4	.TUBE ASSEMBLY.....							1	
- 2	TY525M	.CLAMP, TY-RAP (78553).....							6	
- 3	AN821-4J	.ELBOW.....							2	
- 4	7F10122-003MP-4	.TUBE ASSEMBLY.....							2	
- 5	AN815-4D	.UNION, FLARED, TUBE.....							5	
- 6	7F10122-004MP-4	.TUBE ASSEMBLY.....							1	
- 7	7F10122-006MP-4	.TUBE ASSEMBLY.....							1	
- 8	AN837-4D	.ELBOW.....							1	
- 9	AN924-4D	.NUT, PLAIN.....							1	
	AN960-716	.WASHER, FLAT.....							1	
- 10	7F10122-010MP-4	.TUBE ASSEMBLY.....							1	
- 11	7F10122-011MP-4	.TUBE ASSEMBLY.....							1	
- 12	7F10122-001MP-4	.TUBE ASSEMBLY.....							1	
- 13	7F10122-002MP-4	.TUBE ASSEMBLY.....							1	
- 14	O21-0250	.DEKLASP (34785).....							4	
- 15	7F10120-11	.HOSE.....							2	
- 16	AN840-4D	.ADAPTER.....							2	
- 17	QS200-M6S	.CLAMP, HOSE (70134).....							8	
- 18	7F10122-007MP-4	.TUBE ASSEMBLY.....							1	
- 19	AN924-4J	.NUT, PLAIN.....							2	
	AN960-716	.WASHER, FLAT.....							2	
- 20	AN838-4J	.ELBOW.....							2	
- 21	7F10120-13	.HOSE.....							2	
- 22	AN807-4J	.ADAPTER.....							2	
- 23	AN924-4J	.NUT, PLAIN HEX.....							2	
	AN960-716	.WASHER, FLAT.....							2	
- 24	AN816-4J	.NIPPLE.....							2	
- 25	7F10122-008MP-4	.TUBE.....							2	
- 26	6121	.GAGE ASSEMBLY, MANIFOLD PRESSURE (INCLUDES ATTACHING HARDWARE) (16455)							1	

GRUMMAN AMERICAN AVIATION
GA-7/COUGAR
ILLUSTRATED PARTS CATALOG



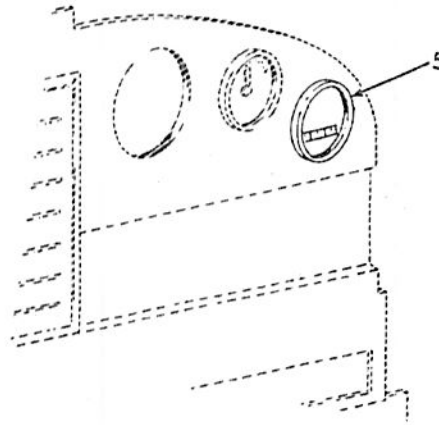
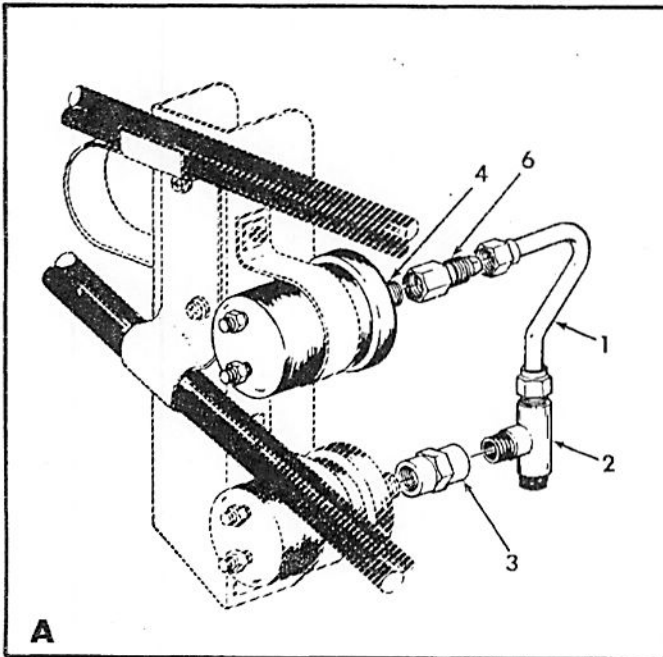
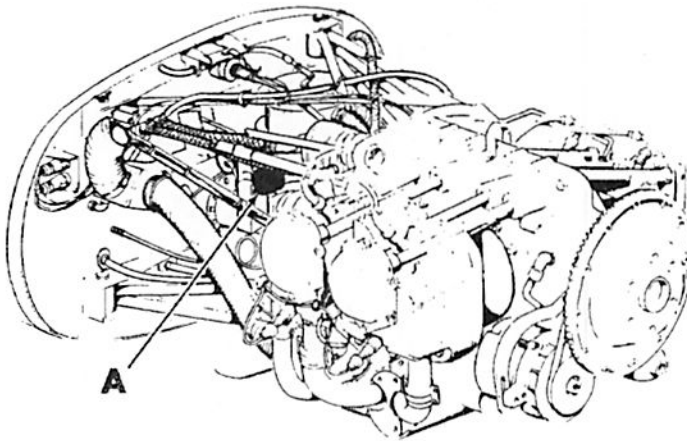
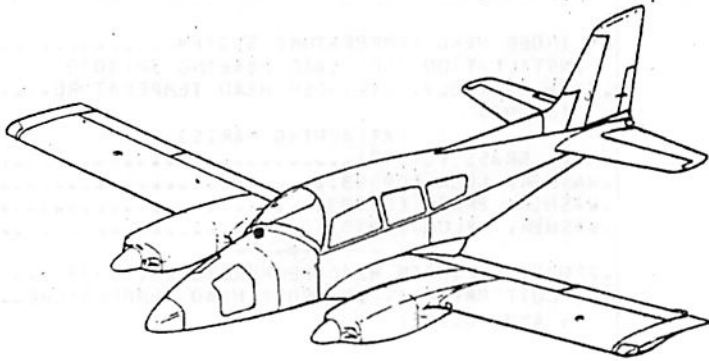
Cylinder Head Temperature System Installation
Figure 77-2

77-G74-02

GRUMMAN AMERICAN AVIATION
GA-7/COUGAR
ILLUSTRATED PARTS CATALOG

Figure & Index No.	Part Number	Nomenclature							Units Per Assy	Usable On Code
		1	2	3	4	5	6	7		
77- 2 -	NO NUMBER	CYLINDER HEAD TEMPERATURE SYSTEM.....							NP	
- 1	6246-00088	INSTALLATION (SEE GAAC DRAWING 7P10000)								
		.GAGE ASSEMBLY, CYLINDER HEAD TEMPERATURE.....							2	
		(09393)								
		(ATTACHING PARTS)								
- 2	44-402	.NUT, BRASS (09393).....							2	
- 3	41-401	.WASHER, LOCK (09393).....							2	
- 4	28-403	.WASHER, BRASS (09393).....							2	
- 5	28-439	.WASHER, NYLON (09393).....							6	
- 6	3080-14	.PROBE, CYLINDER HEAD TEMPERATURE (09393).....							1	
- 7	1600-019-050	.CIRCUIT BREAKER, CYLINDER HEAD TEMPERATURE.....							1	
		5 AMP (05231)								

GRUMMAN AMERICAN AVIATION
GA-7/COUGAR
ILLUSTRATED PARTS CATALOG



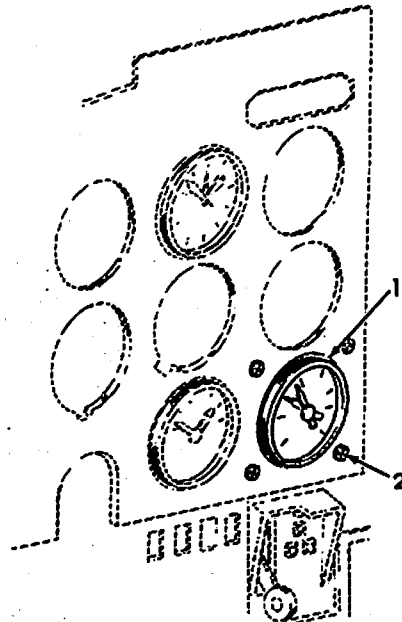
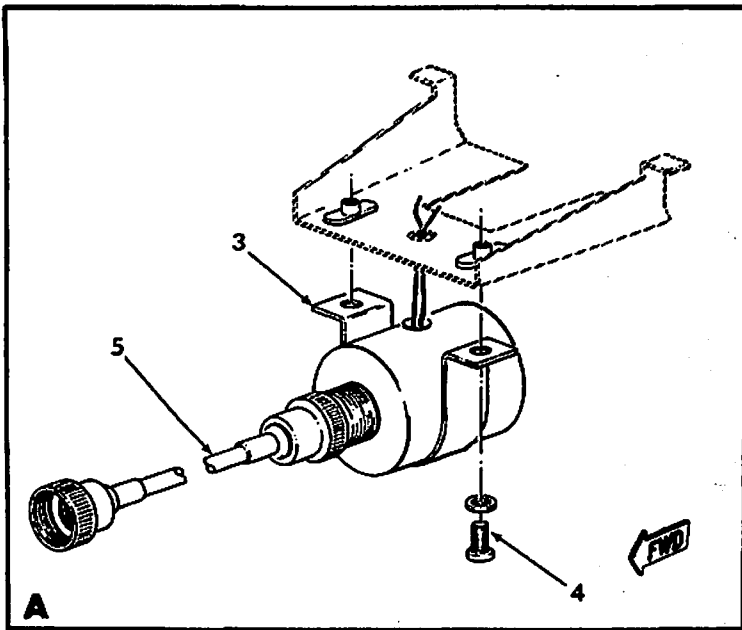
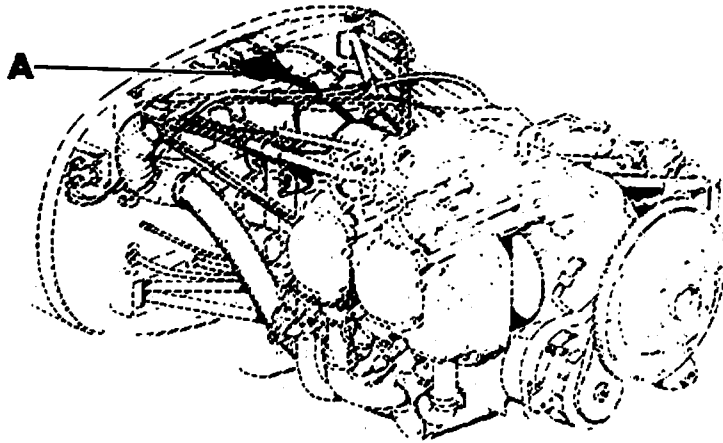
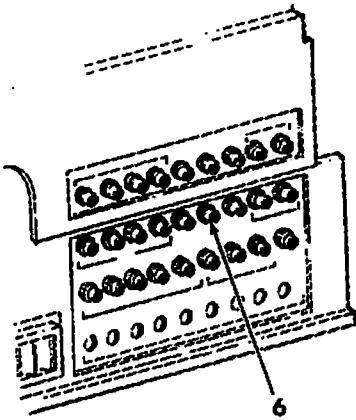
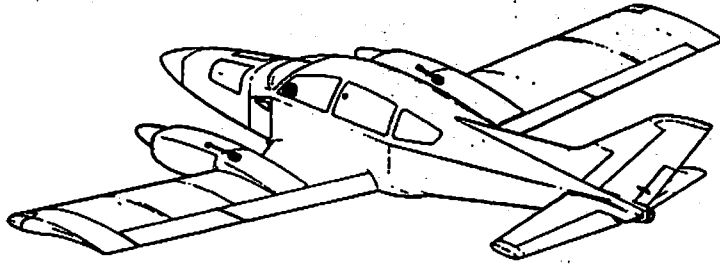
Hour Meter Installation (Optional)
Figure 77-3

77G74-03

BRUMMAN AMERICAN AVIATION
GA-7/COUGAR
ILLUSTRATED PARTS CATALOG

Figure & Index No.	Part Number	Nomenclature	Units	Usable On Code
			Per Assy	
		1 2 3 4 5 6 7		
77- 3 -	7P10901-1	HOUR METER INSTALLATION (OPTIONAL).....	NP	
		(SEE CHAPTER 39 FOR NHA)		
- 1	7F10122-009-HMP4	.TUBE ASSEMBLY.....	1	
- 2	MS20825-4J	.TEE, FLARED TUBE.....	1	
- 3	AN910-1J	.COUPLING.....	1	
- 4	2904-81	.SWITCH, PRESSURE (C9527).....	1	
- 5	15001	.HOUR METER (74400).....	1	
	771-4	.HOUR METER (16476) (ALTERNATE TO 15001).....	1	
- 6	MS5150384S	.ADAPTER.....	1	

GRUMMAN AMERICAN AVIATION
GA-7/COUGAR
ILLUSTRATED PARTS CATALOG



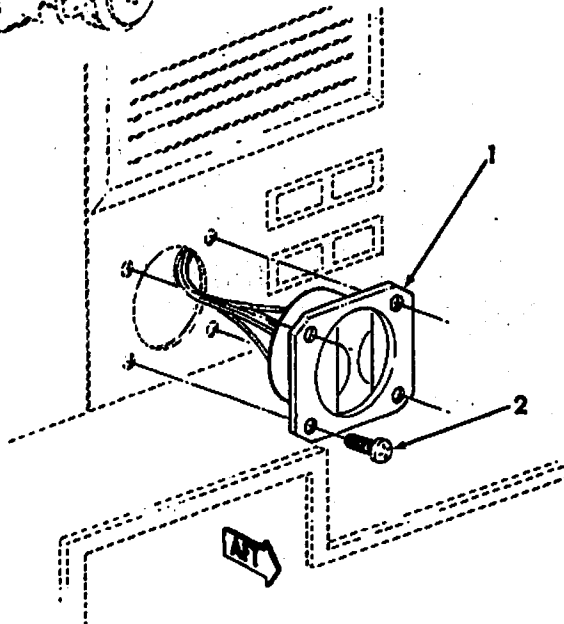
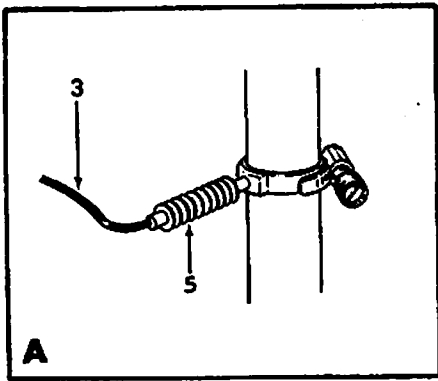
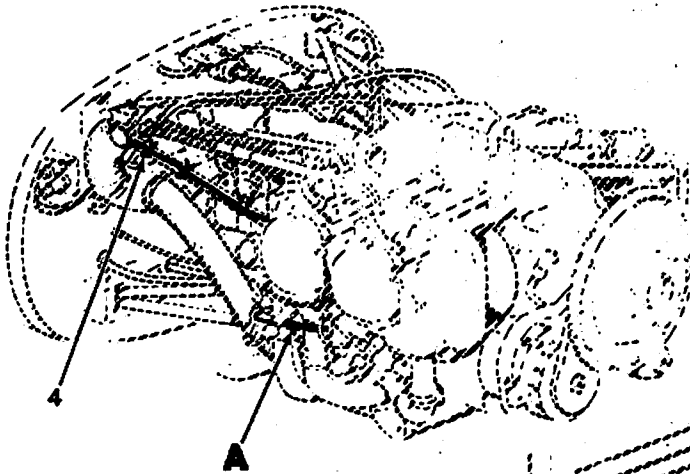
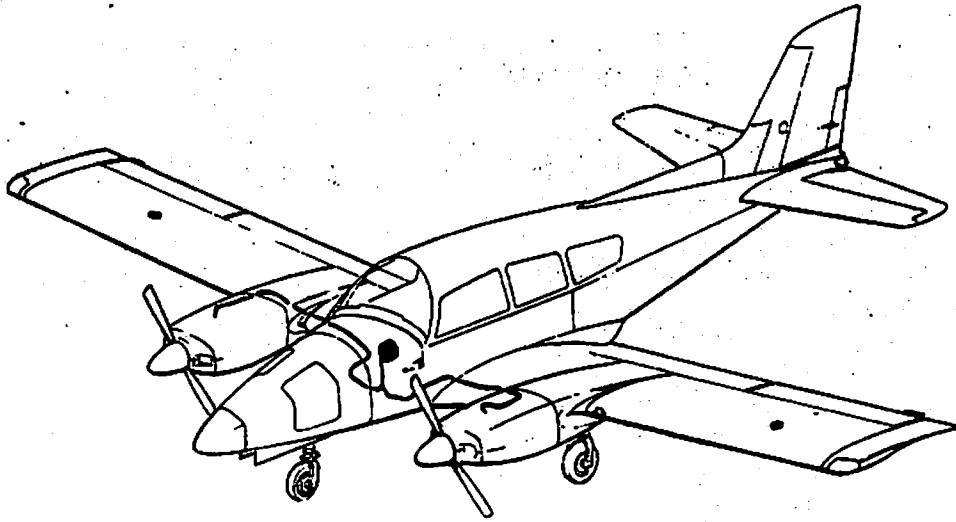
Tachometer Generator Installation
Figure 77-4

77G74-04

GRUMMAN AMERICAN AVIATION
GA-7/COUGAR
ILLUSTRATED PARTS CATALOG

Figure & Index No.	Part Number	Nomenclature							Units Per Assy	Usable On Code
		1	2	3	4	5	6	7		
77- 4 -	NO NUMBER	TACHOMETER GENERATOR INSTALLATION (SEE GAAC..... DRAWING 7P10000)							NP	
- 1	7SCF007-1	.INDICATOR TACHOMETER, DUAL..... (ATTACHING PARTS)							1	
- 2	MS35214-29 AB944-632-24J	.SCREW, MACHINE..... .NUT, SPEED (78553).....							4 4	
- 3	7P10907-25	.STRAP..... (ATTACHING PARTS)							2	
- 4	MS35206-244 AN960-8 NAS697A08	.SCREW, MACHINE..... .WASHER, FLAT..... .NUTPLATE.....							4 4 4	
- 5	7SCF015-1	.GENERATOR, TACHOMETER.....							2	
- 6	1600-011-050	.CIRCUIT BREAKER, TACHOMETER 5 AMP (05231).....							1	

GRUMMAN AMERICAN AVIATION
GA-7/COUGAR
ILLUSTRATED PARTS CATALOG



Exhaust Gas Temperature Indicator Installation (Optional)
Figure 77-5

77G74-05

GRUMMAN AMERICAN AVIATION

GA-7/COUGAR

ILLUSTRATED PARTS CATALOG

Figure & Index No.	Part Number	Nomenclature							Units Per Assy	Usable On Code
		1	2	3	4	5	6	7		
77- 5 -	7F10902-1	EXHAUST GAS TEMPERATURE INDICATOR.....							NP	
		INSTALLATION (OPTIONAL) (SEE CHAPTER 39 FOR NHA)								
- 1	205-1RA	.INDICATOR ASSEMBLY, DUAL, EXHAUST GAS.....							1	
		TEMPERATURE (21207)								
		(ATTACHING PARTS)								
- 2	MS35214-29	.SCREW, MACHINE.....							4	
	A8944-632-24J	.NUT, SPEED (78553).....							4	
- 3	MC1-A106-23	.LEAD, EXTENSION (21207).....							2	
- 4	TY524M	.CLAMP, TY-WRAP (59730).....							AR	
- 5	MC1-A106-A36	.PROBE, EXHAUST GAS TEMPERATURE INDICATOR.....							2	
		(21207)								

GRUMMAN AMERICAN AVIATION
GA-7/COUGAR
ILLUSTRATED PARTS CATALOG

CHAPTER 78

EXHAUST

TABLE OF CONTENTS

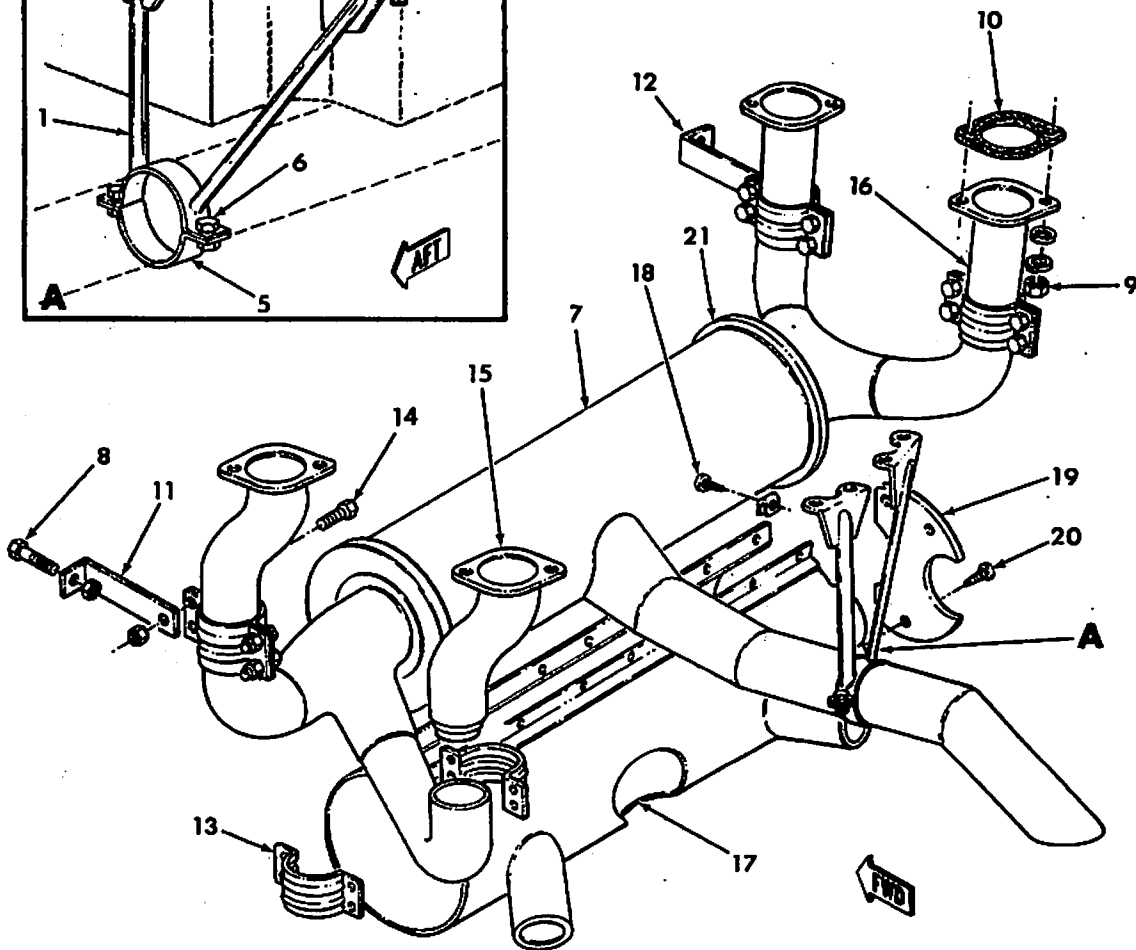
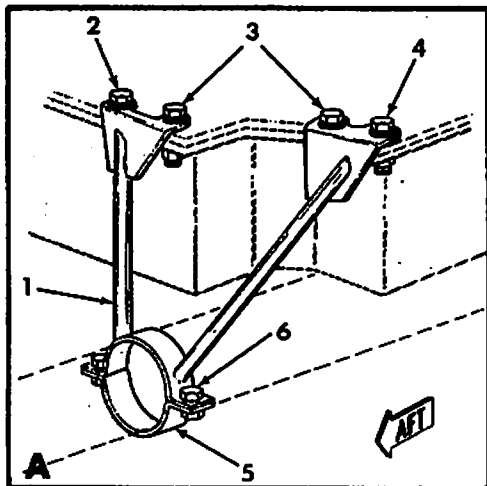
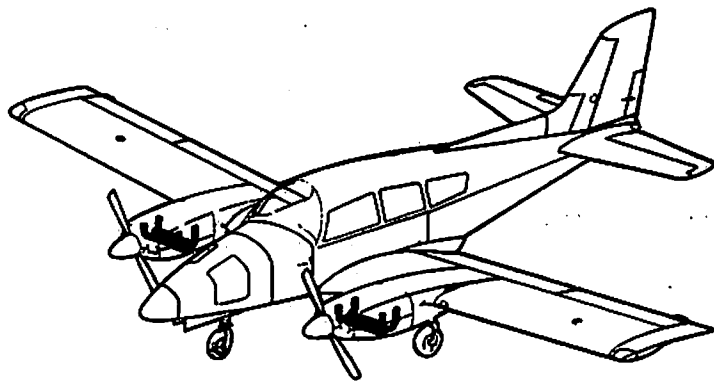
SUBJECT

EXHAUST SYSTEM INSTALLATION

FIGURE
NUMBER

78-1

GRUMMAN AMERICAN AVIATION
GA-7/COUGAR
ILLUSTRATED PARTS CATALOG



Exhaust System Installation
Figure 78-1

78G74-01

GRUMMAN AMERICAN AVIATION
GA-7/COUGAR
ILLUSTRATED PARTS CATALOG

Figure & Index No.	Part Number	Nomenclature							Units Per Assy	Usable On Code
		1	2	3	4	5	6	7		
78- 1 -	NO NUMBER	EXHAUST SYSTEM INSTALLATION (SEE GAAC.....							NP	
	7P10615-1	DRAWING 7P10000)								
- 1	7P10615-3	..BRACKET INSTALLATION, EXHAUST.....							NP	
		..BRACKET ASSEMBLY, EXHAUST.....							1	
		(ATTACHING PARTS)								
- 2	STD1204	..BOLT, HEX HEAD (SUPPLIED WITH ENGINE).....							1	
		(80254)								
	STD8	..WASHER, FLAT (SUPPLIED WITH ENGINE).....							1	
		(80254)								
	STD160	..WASHER, LOCK (SUPPLIED WITH ENGINE).....							1	
		(80254)								
	STD1411	..NUT, PLAIN (SUPPLIED WITH ENGINE) (80254).....							1	
- 3	STD1204	..BOLT, HEX HEAD (SUPPLIED WITH ENGINE).....							2	
		(80254)								
	AN960C416	..WASHER, FLAT.....							2	
	STD160	..WASHER, LOCK (SUPPLIED WITH ENGINE).....							2	
		(80254)								
	STD1411	..NUT, PLAIN (SUPPLIED WITH ENGINE) (80254).....							2	
- 4	AN4-13A	..BOLT, MACHINE, AIRCRAFT.....							1	
	STD8	..WASHER, FLAT (SUPPLIED WITH ENGINE).....							1	
		(80254)								
	STD160	..WASHER, LOCK (SUPPLIED WITH ENGINE).....							1	
		(80254)								
	STD1411	..NUT, PLAIN (SUPPLIED WITH ENGINE) (80254).....							1	
- 5	7P10615-13	---CLAMP ASSEMBLY, EXHAUST.....							1	
		(ATTACHING PARTS)								
- 6	AN4C5	---BOLT, MACHINE, AIRCRAFT.....							2	
	AN960C416	---WASHER, FLAT.....							2	
	AN310C4	---NUT.....							2	
- 7	7SCF002-1	..MANIFOLD ASSEMBLY, EXHAUST.....							1	
		(ATTACHING PARTS)								
- 8	AN526-1032R6	..SCREW, MACHINE.....							2	
	MS20364-1032	..NUT, SELF-LOCKING.....							2	
- 9	AN936A516	..WASHER, LOCK.....							8	
	STD475	..WASHER, FLAT (SUPPLIED WITH ENGINE) (80254).....							8	
	STD1410	..NUT (SUPPLIED WITH ENGINE) (80254).....							8	
- 10	65321	---GASKET (80254).....							4	
- 11	5502010-20	---SUPPORT (LH).....							1	
- 12	5502010-22	---SUPPORT (RH).....							1	
- 13	EL099005-100	..CLAMP, BEAD (96941).....							8	
		(ATTACHING PARTS)								
- 14	AN3-4A	..BOLT, MACHINE, AIRCRAFT.....							2	
	MS20365-1032	..NUT, SELF-LOCKING.....							2	
- 15	EL099005-102	..RISER (LH) (96941).....							2	
- 16	EL099005-184	..RISER (RH) (96941).....							2	
- 17	EL099005-715	..SHROUD ASSEMBLY (96941).....							1	
		(ATTACHING PARTS)								
- 18	TYPE 88	..SCREW (78553).....							7	
	C-6052-8Z-1	..NUT, CLIP (78553).....							7	
- 19	EL099005-716	---PLATE, END (96941).....							1	
		(ATTACHING PARTS)								
- 20	TYPE 88	---SCREW (78553).....							3	
- 21	EL099005-705	..MANIFOLD, EXHAUST (96941).....							1	

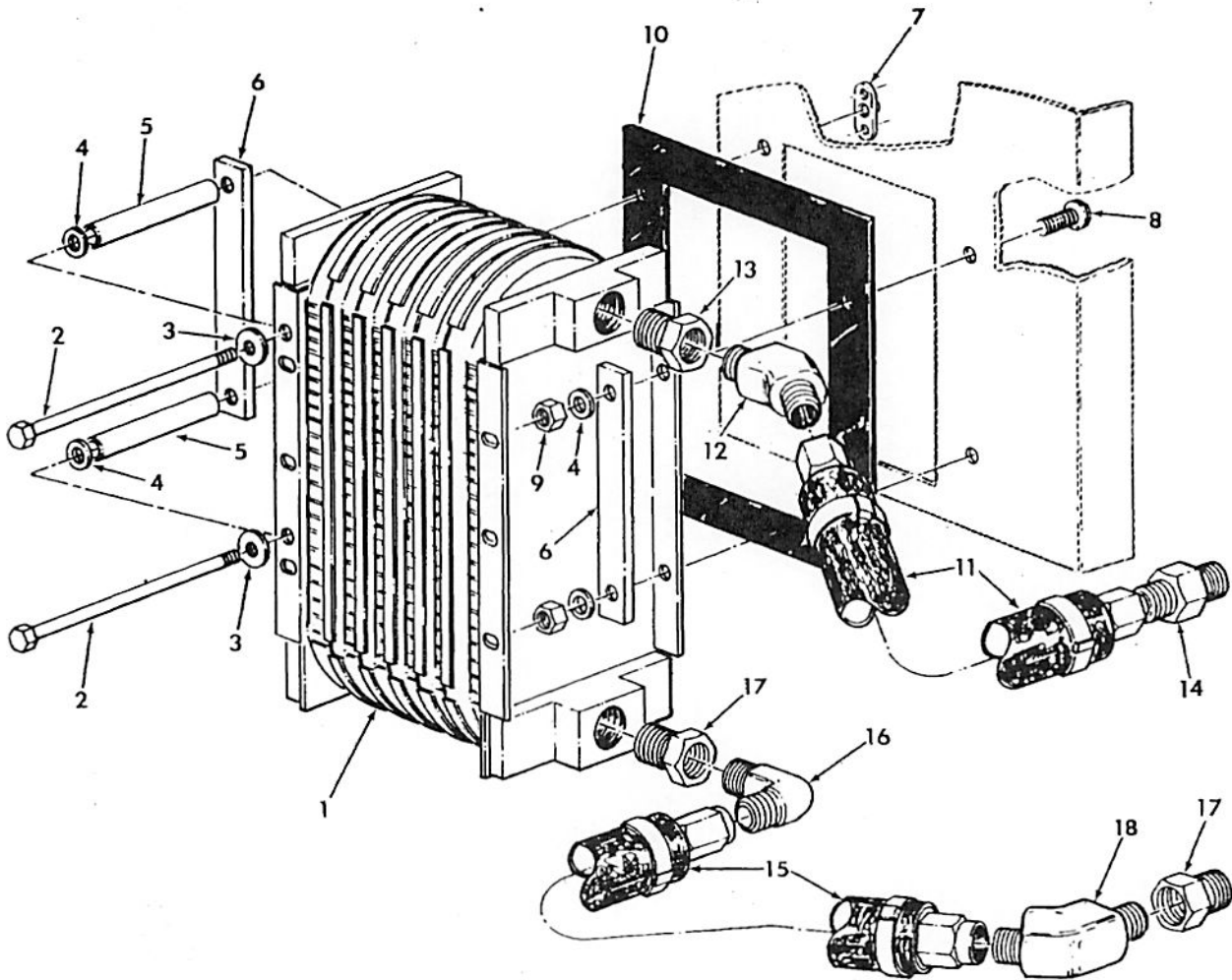
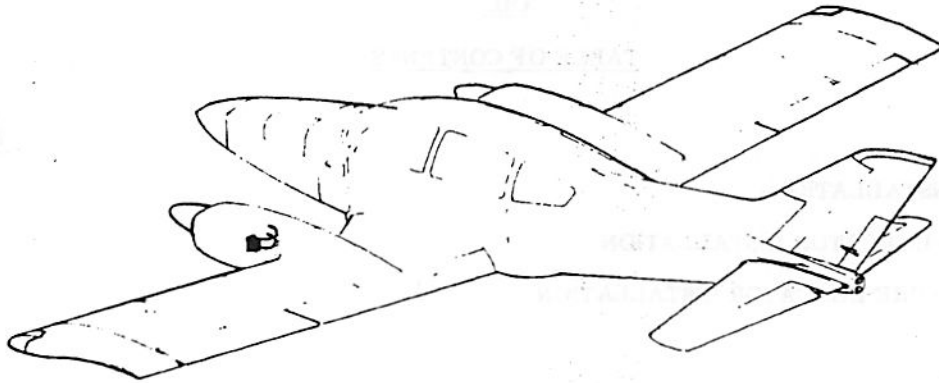
CHAPTER 79

OIL

TABLE OF CONTENTS

<u>SUBJECT</u>	<u>FIGURE NUMBER</u>
OIL COOLER INSTALLATION	79-1
OIL PRESSURE INDICATOR INSTALLATION	79-2
OIL TEMPERATURE INDICATOR INSTALLATION	79-3

GRUMMAN AMERICAN AVIATION
GA-7/COUGAR
ILLUSTRATED PARTS CATALOG



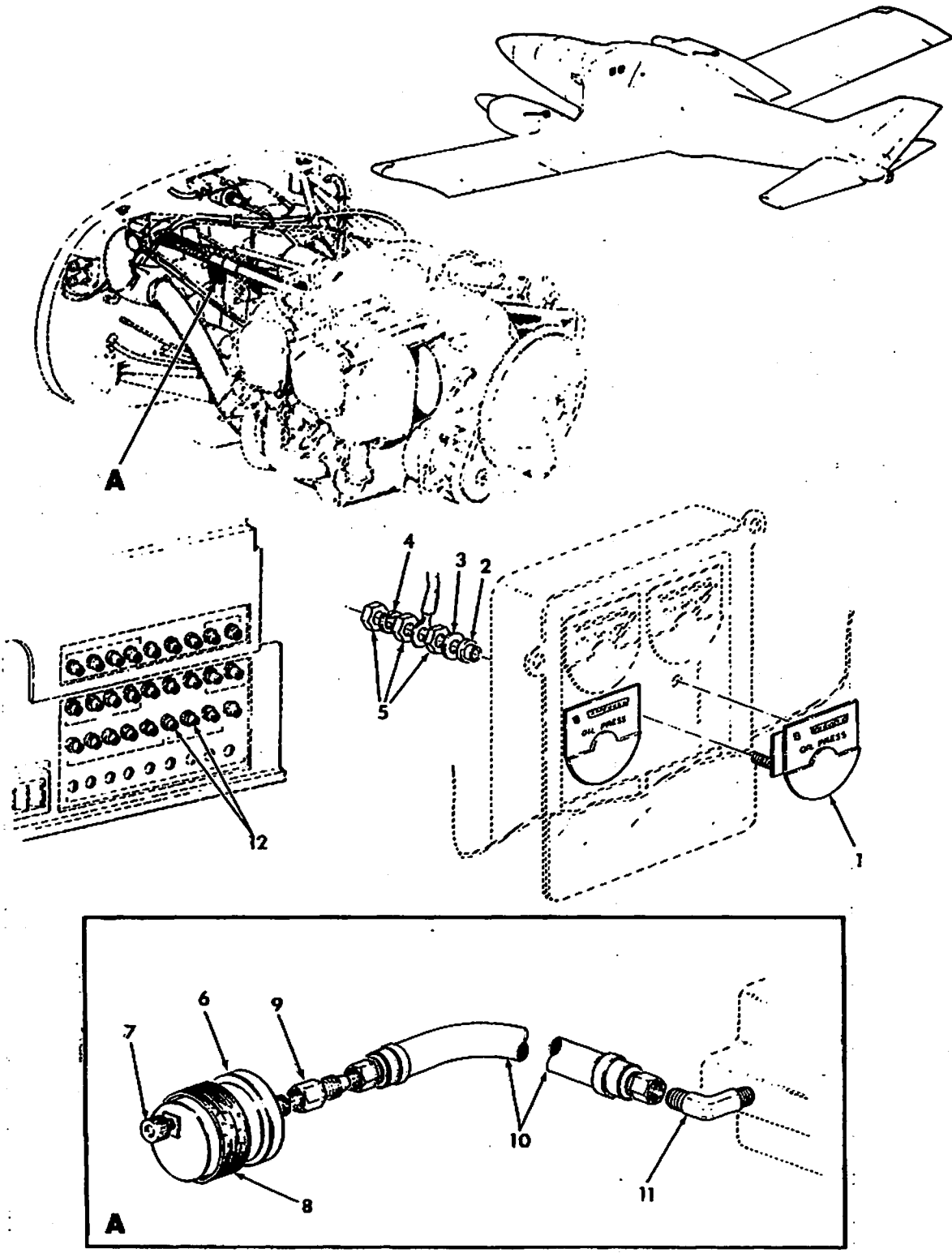
Oil Cooler Installation
Figure 79-1

79G74-01

GRUMMAN AMERICAN AVIATION
GA-7/COUGAR
ILLUSTRATED PARTS CATALOG

Figure & Index No.	Part Number	Nomenclature							Units Per Assy	Usable On Code
		1	2	3	4	5	6	7		
79- 1 -	NO NUMBER	OIL COOLER INSTALLATION (SEE GAAC DRAWING.....							NP	
- 1	5505002-2	7P10070) •COOLER ASSEMBLY, LURF OIL.....							1	
- 2	AN31142A	(ATTACHING PARTS)								
- 3	AN970-3	•BOLT, AIRCRAFT.....							2	
- 4	AN960-10	•WASHER, FLAT.....							2	
- 5	NAS43003-212	•WASHER, FLAT.....							4	
- 6	7P10311-35	•SPACER (ALTERNATE PART NUMBER 5922000-1).....							2	
- 7	NAS680-A3	•DOUBLER.....							2	
- 8	MS35207-264	•NUT, PLATE.....							2	
- 9	MS20365-1032	•SCREW, MACHINE.....							2	
- 10	5505003-3	•NUT, SELF-LOCKING.....							2	
		•GASKET.....							1	
- 11	GAES1325-4-012J-F	----- •HOSE, OIL COOLER, UPPER.....							1	
- 12	MS20823-6	(ATTACHING PARTS)								
- 13	AN912-2	•ELBOW.....							1	
- 14	AN816-6-6	•REDUCER.....							1	
		•NIPPLE.....							1	
- 15	GAES1325-4-016C-F	----- •HOSE, OIL COOLER, LOWER.....							1	
- 16	MS20822-6	(ATTACHING PARTS)								
- 17	AN912-2	•ELBOW.....							1	
- 18	MS20823-6	•REDUCER.....							2	
		•ELBOW.....							1	

GRUMMAN AMERICAN AVIATION
GA-7/COUGAR
ILLUSTRATED PARTS CATALOG



Oil Pressure Indicator Installation
Figure 79-2

79G74-02

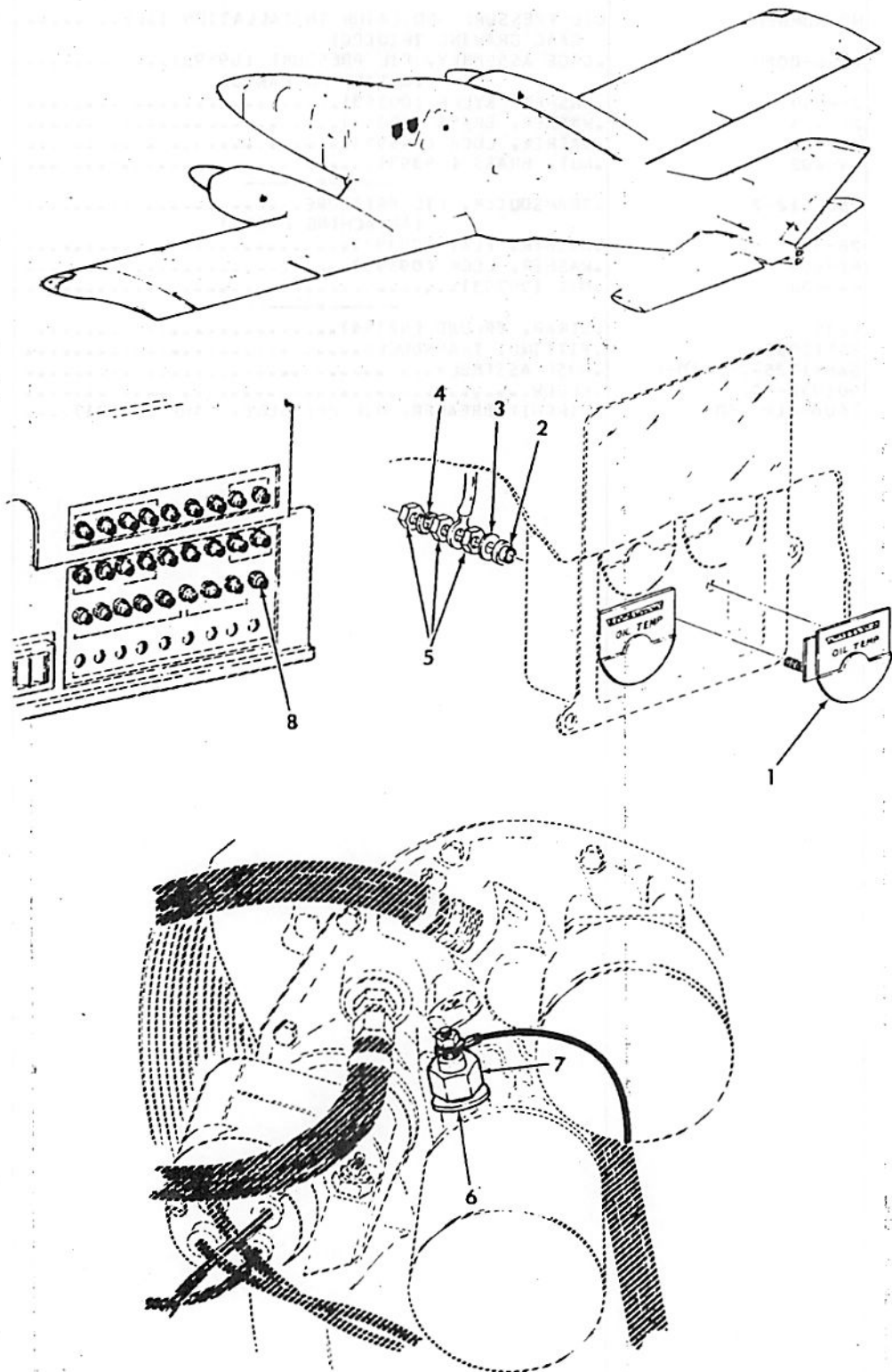
GRUMMAN AMERICAN AVIATION

GA-7/COUGAR

ILLUSTRATED PARTS CATALOG

Figure & Index No.	Part Number	Nomenclature	Units Per Assy	Usable On Code
79- 2 -	NO NUMBER	OIL PRESSURE INDICATOR INSTALLATION (SEE..... GAAC DRAWING 7P10C00)	NP	
- 1	6246-0089	.GAGE ASSEMBLY, OIL PRESSURE (09393)..... (ATTACHING PARTS)	2	
- 2	28-439	.WASHER, NYLON (09393).....	2	
- 3	28-403	.WASHER, BRASS (09393).....	2	
- 4	28-401	.WASHER, LOCK (09393).....	2	
- 5	44-402	.NUT, BRASS (09393).....	6	
- 6	7SCF012-2	.TRANSDUCER, OIL PRESSURE..... (ATTACHING PARTS)	1	
- 7	28-431	.WASHER, FLAT (09393).....	1	
	41-409	.WASHER, LOCK (09393).....	1	
	44-408	.NUT (09393).....	1	
- 8	1234	.STRAP, GROUND (92194).....	1	
- 9	MS5150384	.FITTING, TRANSDUCER.....	1	
- 10	GAES1325-2-0120-F	.HOSE ASSEMBLY.....	1	
- 11	901038-502	.ELBOW.....	1	
- 12	1600-019-050	.CIRCUIT BREAKER, OIL PRESSURE, SAMP (05231)....	2	

GRUMMAN AMERICAN AVIATION
GA-7/COUGAR
ILLUSTRATED PARTS CATALOG



Oil Temperature Indicator Installation
Figure 79-3

79G74-03

GRUMMAN AMERICAN AVIATION
GA-7/COUGAR
ILLUSTRATED PARTS CATALOG

Figure & Index No.	Part Number	Nomenclature							Units Per Assy	Usable On Code
		1	2	3	4	5	6	7		
79- 3 -	ND NUMBER	OIL TEMPERATURE INDICATOR INSTALLATION (SEE.....							NP	
- 1	6246-0C90	GAAC DRAWING 7P10C00)								
- 2	28-439	-GAGE ASSEMBLY, OIL TEMPERATURE (09393).....							2	
- 3	28-403	(ATTACHING PARTS)								
- 4	41-401	-WASHER, NYLON (09393).....							2	
- 5	44-402	-WASHER, BRASS (09393).....							2	
- 6	MS35769-11	-WASHER, LOCK (09393).....							2	
- 7	7SCF019	-NUT, BRASS (C9393).....							6	
- 8	1600-019-050	----- -WASHER, CRUSH.....							1	
		-SENSOR, OIL TEMPERATURE.....							1	
		-CIRCUIT BREAKER, OIL TEMPERATURE, 5 AMP.....							1	
		(05231)								

SECRET

Date	Description	Amount
1945-01-01	Initial deposit	100.00
1945-01-15	Withdrawal	25.00
1945-02-01	Interest	1.50
1945-02-15	Withdrawal	15.00
1945-03-01	Interest	1.50
1945-03-15	Withdrawal	10.00
1945-04-01	Interest	1.50
1945-04-15	Withdrawal	5.00
1945-05-01	Interest	1.50
1945-05-15	Withdrawal	5.00
1945-06-01	Interest	1.50
1945-06-15	Withdrawal	5.00
1945-07-01	Interest	1.50
1945-07-15	Withdrawal	5.00
1945-08-01	Interest	1.50
1945-08-15	Withdrawal	5.00

GRUMMAN AMERICAN AVIATION
GA-7/COUGAR
ILLUSTRATED PARTS CATALOG

CHAPTER 80

STARTING

TABLE OF CONTENTS

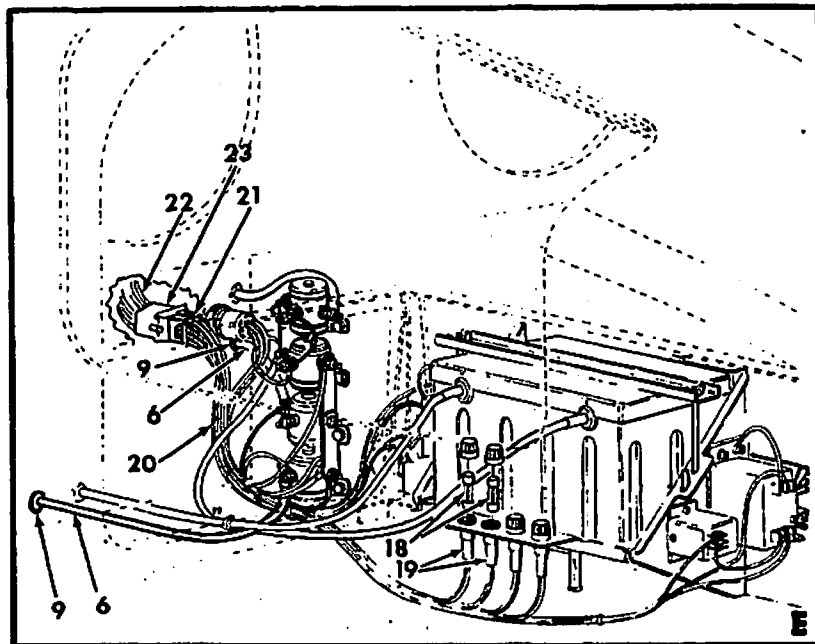
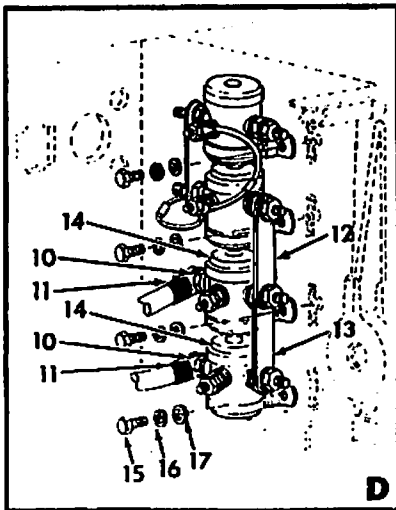
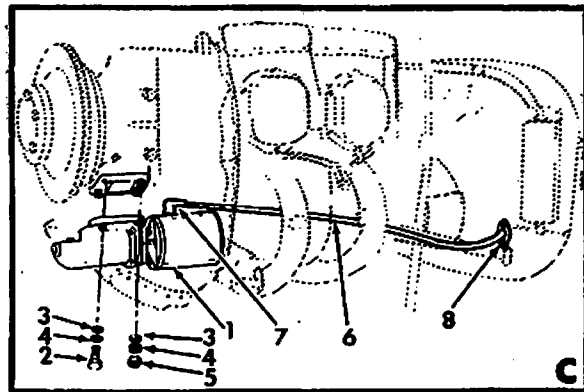
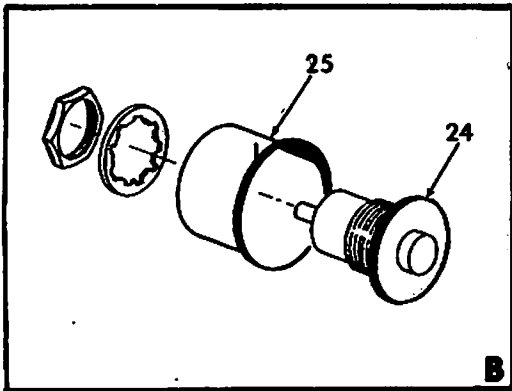
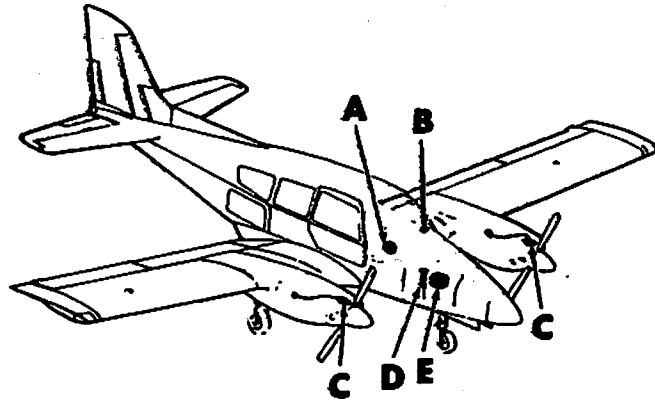
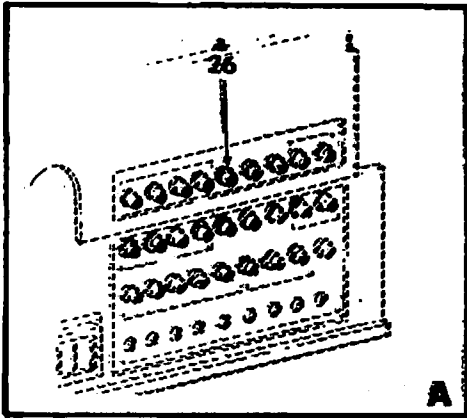
SUBJECT

STARTING SYSTEM INSTALLATION

FIGURE
NUMBER

80-1

GRUMMAN AMERICAN AVIATION
GA-7/COUGAR
ILLUSTRATED PARTS CATALOG



Starting System Installation
 Figure 80-1

80G74-01

GRUMMAN AMERICAN AVIATION
GA-7/COUGAR
ILLUSTRATED PARTS CATALOG

Figure & Index No.	Part Number	Nomenclature	Units Per Assy	Usable On Code
80- 1 -	NO NUMBER	STARTING SYSTEM INSTALLATION.....	NP	
- 1	MZ-4218	.STARTER, 12 VOLT (19728) (REFER TO AVCO..... LYCOMING O-320 SERIES AIRCRAFT ENGINE PARTS CATALOG) (ATTACHING PARTS)	2	
- 2	STD-1323	.BOLT, MACHINE (80254).....	1	
- 3	STD-35	.WASHER, PLAIN (80254).....	4	
- 4	STD-475	.WASHER, LOCK (80254).....	4	
- 5	STD-1410	.NUT, PLAIN, HEX (80254).....	3	
	7AV10101-4	.CABLE ASSEMBLY (W4) (LEFT STARTER).....	1	
	7AV10101-5	.CABLE ASSEMBLY (W5) (RIGHT STARTER).....	1	
- 6	7KA7A2	.CABLE ASSEMBLY (PART OF 7AV10101-4).....	1	
	7KA4A2	.CABLE ASSEMBLY (PART OF 7AV10101-5)..... (ATTACHING PARTS)	1	
- 7	MS25171-3S	.NIPPLE.....	1	
- 8	7P10706-11	.SEAL.....	2	
	7P10907-19	.COVER.....	1	
	MS35206-245	.SCREW.....	2	
- 9	Z-524	.GROMMET (76385).....	1	
- 10	G375-38	.TERMINAL, LUG (98410).....	2	
- 11	F1T-105-3-4	.TUBING, SHRINK (05832).....	AR	
- 12	7AV10114-13	.JUMPER, ELECTRICAL.....	1	
- 13	7AV10114-15	.JUMPER, ELECTRICAL.....	1	
- 14	SAW4204-1	.RELAY, SOLENOID, STARTER (19728)..... (ATTACHING PARTS)	2	
- 15	AN3-3A	.BOLT, AIRCRAFT.....	2	
- 16	MS35338-43	.WASHER, LOCK.....	2	
- 17	AN960-10L	.WASHER, FLAT.....	2	
- 18	AGC-5	.FUSE (5 AMP) (F3, F4) (71400).....	2	
- 19	HKP-HH	.FUSEHOLDER (71400).....		
- 20	7AV10101-2	.CABLE ASSEMBLY (W2) (REFER TO SPECIFIC..... CHAPTERS AND SYSTEMS FOR ADDITIONAL COMPONENTS)	1	
- 21	1-480708-J	.CONNECTOR, PLUG HOUSING (P11) (00779).....	1	
- 22	7AV10101-6	.CABLE ASSEMBLY (W6) (REFER TO SPECIFIC..... CHAPTERS AND SYSTEMS FOR ADDITIONAL COMPONENTS)	1	
- 23	1-480709-0	.CONNECTOR, CAP HOUSING (J11) (00779).....	1	
- 24	P3-82112	.SWITCH, PUSH (21649).....	2	
- 25	AL20182	.SHIELD, PUSHBUTTON (09298).....	2	
- 26	1600-019-050	.CIRCUIT BREAKER (5 AMP) (05231).....	1	

[The page contains extremely faint and illegible text, likely bleed-through from the reverse side of the document. The text is arranged in several paragraphs and is mostly obscured by noise and low contrast.]

