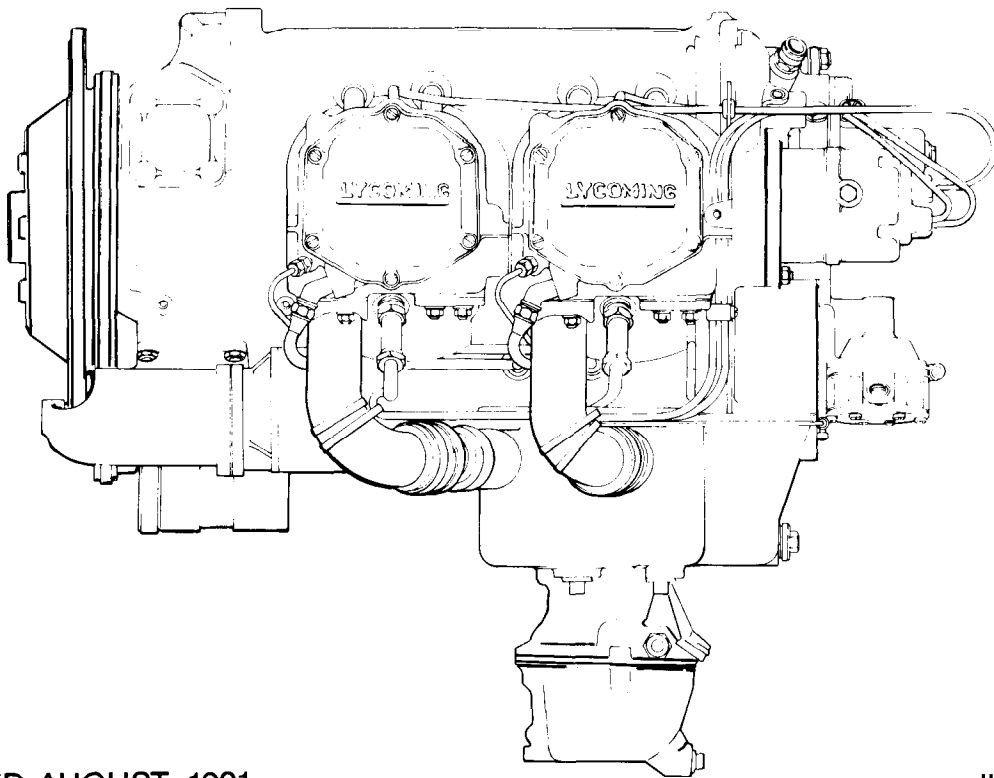


PARTS CATALOG

PC-306-1

LYCOMING O-360-A
Wide Cylinder Flange Models

AIRCRAFT ENGINES



REPRINTED AUGUST, 1991

JULY 1980

TEXTRON Lycoming

Textron Lycoming/Subsidiary of Textron Inc.

652 Oliver Street
Williamsport, PA 17701 U.S.A.
717/323-6181

INTRODUCTION

This illustrated Parts Catalog provides parts coverage for all current models of O-360-A wide cylinder flange (WCF) series engines. These wide cylinder flange engines are identified by the suffix "A" on the engine serial number (e.g. L-20650-36A). The serial number as well as the model designation may be found on the engine nameplate on the oil sump. For parts information of the O-360 conventional (or narrow) cylinder flange engines, refer to the Parts Catalog PC-106 to those parts marked STD (meaning standard) for standard or narrow cylinder flange.

Group Assembly Section: This section lists major assemblies and sub-assemblies in the general order of engine build-up.

Service Kit Section: Seal and gasket sets and cylinder, piston and ring kit are provided in this section.

Supersedure Section: This section lists a history of part numbers that have been superseded and gives a brief description of the change involved.

Numerical Index: Quick determination of part location in the catalog is possible thru this section when only the part number is known.

Oversize and Undersize Parts: Procurable oversize and undersize parts are listed preceding the main group assembly parts list.

Vendor Accessories: Parts coverage of Vendor Accessories used on Lycoming engines may be found in the appropriate Vendor's Parts Catalog. A list of the publications appear in the latest edition of Lycoming Service Letter No. L114.

SERVICE BULLETINS, INSTRUCTIONS AND LETTERS

Although the information in this catalog is up-to-date at the time of publication, users are urged to keep abreast of later information through Avco Lycoming Service Bulletins, Instructions and Letters which are available from all Lycoming distributors or from the factory by subscription. Consult the latest edition of Service Letter No. L114 for subscription information.

NOTE

The illustrations, pictures and drawings shown in this publication are typical of the subject matter they portray; in no instance are they to be interpreted as examples of any specific engines, equipment or part thereof.

O-360-A SERIES WIDE CYLINDER FLANGE

TABLE OF CONTENTS

SECTION	PAGE
Introduction	i
Table of Contents	ii
Oversize and Undersize Parts Listing	iii
1 - CRANKCASE, CRANKSHAFT AND CAMSHAFT GROUP	
Crankcase Assembly	1-1
Oil Level Gage Assemblies	1-3
Crankshaft, Camshaft and Related Parts	1-5
Crankcase Related Parts	1-7
Propeller Governor Drive (Crankcase)	1-8
Crankshaft Idler Gears and Tachometer Drive	1-9
Crankcase Attaching Parts	1-11
Starter Ring Gear Support Assembly	1-13
2 - ACCESSORY HOUSING AND RELATED PARTS	
Accessory Housing Assembly	2-1
Oil Pump and Accessory Housing Attaching Parts	2-3
Propeller Governor Oil Line	2-4
Propeller Governor Drives and Covers	2-5
Fuel Pump Assembly and Attaching Parts	2-7
Vacuum Pump, Fuel Pump Drives and Covers	2-8
Oil Pressure Screen Filter and Oil Cooler Bypass Valve	2-9
3 - CYLINDER, PISTON AND VALVE TRAIN	
Connecting Rod, Pistons and Ring Assemblies	3-1
Cylinder Assembly	3-2
Cylinder Related Parts	3-3
Valve Assembly	3-5
Cylinder Head Drain Tubes and Intercylinder Cooling Baffles	3-6
4 - IGNITION SYSTEM	
Magneto Drives and Magnetos	4-1
Magneto Drives and Magnetos (Dual Magnetos)	4-3
Ignition Harness and Lead Assembly (Avco Lycoming)	4-5
Ignition Harness and Lead Assembly (Slick and Scintilla)	4-7
Spark Plugs	4-9
5 - ELECTRICAL SYSTEM	
Voltage Regulators, Relays, Alternator and Generator Drive Belts	5-1
Generator Mounting and Attaching Parts	5-2
Alternator Mounting and Attaching Parts	5-3
Generator and Alternator Assembly	5-5
Starter Motor and Attaching Parts	5-6
6 - OIL SUMP AND INDUCTION SYSTEM	
Oil Sump Assembly and Oil Suction Screen	6-1
Intake Pipe Assembly	6-2
Carburetor Assembly	6-3
Priming System	6-5
7 - SERVICE KIT SECTION	7-1
8 - SUPERSEDURE SECTION	8-1
9 - NUMERICAL INDEX	9-1

**OVERSIZE AND UNDERSIZE PARTS LIST
O-360-A SERIES WIDE CYLINDER FLANGE**

PART NO.	DESCRIPTION	OVERSIZE							UNDERSIZE		
		P05	P075	P10	P125	P15	P20	P30	M03	M06	M10
76943	GUIDE, Valve intake	X		X			X	X			
66610	BUSHING, Rocker shaft	X		X							
66796	INSERT, Spark plug			X							
69796	DOWEL, Crankshaft bearing	X									
LW-10647	DOWEL, Crankshaft bearing	X		X							
71903-A, -B	BUSHING, Counterweight	SEE SERVICE INSTRUCTION NO. 1143 FOR SIZE.									
72057	SEAT, Intake valve			X			X	X			
72058	SEAT, Exhaust valve			X			X	X			
72060	BUSHING, Propeller flange	X		X		X	X				
74248	BUSHING, Propeller flange	X		X		X					
72061	BUSHING, Propeller flange	X		X		X	X				
72062	BUSHING, Propeller flange	X		X		X	X				
74249	BUSHING, Propeller flange	X		X		X					
73810	BUSHING, Crankshaft counterweight	X	X	X	X	X					
77160	GUIDE, Valve exhaust							X			
LW-13521	BEARING, Connecting rod			X					X	X	X
LW-13884	BEARING, Crankshaft, front								X	X	X
LW-13885	BEARING, Crankshaft, front								X	X	X
LW-11021	BEARING, Crankshaft								X	X	X

Studs available in P03, P07 and P12.

NOTE

When ordering oversize and undersize parts, be sure to specify the required oversize and undersize dimension along with the proper part number. For example; to order bearing LW-13521 in .003 undersize, order part number LW-13521-M3. Oversize code letter is "P" while undersize code letter is "M". These letters are then followed by the number designating the size in thousandths of an inch.

LYCOMING O-360-A SERIES PARTS CATALOG
WIDE CYLINDER FLANGE CRANKCASE MODEL ENGINES

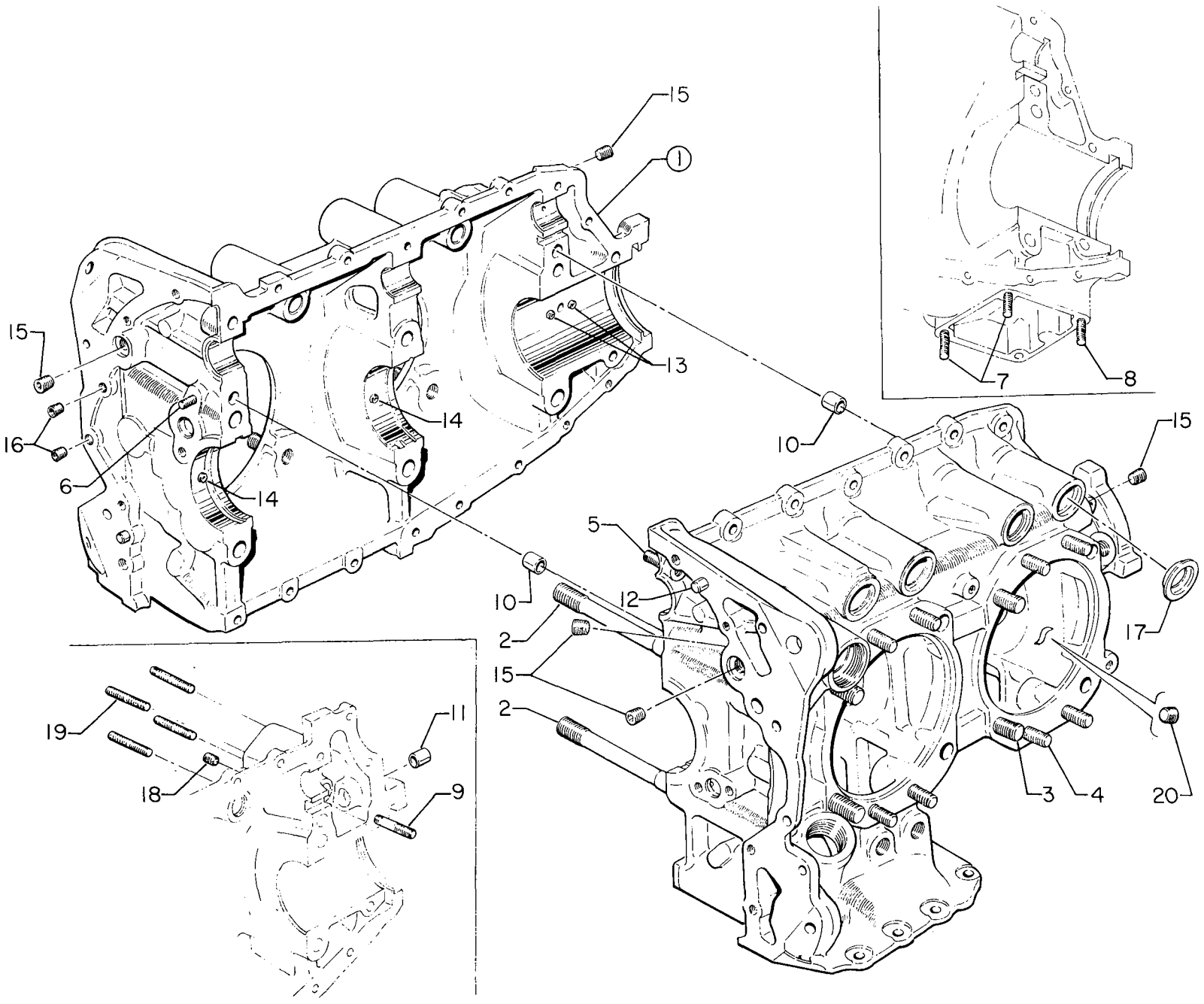


Figure 1 - Crankcase Assembly
1-2

LYCOMING O-360-A SERIES PARTS CATALOG

WIDE CYLINDER FLANGE CRANKCASE MODEL ENGINES

CRANKCASE, CRANKSHAFT AND CAMSHAFT GROUP

OIL LEVEL GAGE ASSEMBLIES

FIG. REF.	PART NUMBER	DESCRIPTION	ON ALL	QUANTITY PER ASSEMBLY																			
				A1A	A1AD	A1D	A1F6	A1F6D	A1G6	A1G6D	A1LD	A2A	A2D	A2F	A2G	A3A	A3AD	A4A	A4G	A4J	A4K	A4M	A5AD
1	75735	TUBE, Oil level gage, short				1	1																
	75767	TUBE, Oil level gage, intermediate			1	1		1	1	1				1			1	1					
	75736	TUBE, Oil level gage, long			1	1	1	1	1	1	1	1	1	1	1	1	1	1			1	1	1
2	LW-12789	TUBE ASSY., Oil level gage, 12-13/16 long																			1	1	
3	77962	ADAPTER, Oil level gage											1										
4	72059	GASKET, Oil level gage	1																				
5	74068	RING, Oil level gage seal			1	1	1	1	1	1	1	1	1	1	1	1	1	1			1	1	1
	74065	RING, Oil level gage seal			1	1	1	1	1	1	1	1	1	1	1	1	1	1			1	1	1
6	72312	RING, Oil seal, 1.00 ID x 1/8 section			1								1								1	1	
7	LW-14759	GAGE ASSY., Oil level			1	1						1								1			
	LW-14780	GAGE ASSY., Oil level			1	1	1					1			1					1	1		
	LW-14758	GAGE ASSY., Oil level			1	1	1	1	1	1	1	1	1	1	1	1	1	1			1	1	1
	LW-14727	GAGE ASSY., Oil level										1											
	LW-14735	GAGE ASSY., Oil level			1																1	1	
	LW-14789	GAGE ASSY., Oil level									1												

LYCOMING O-360-A SERIES PARTS CATALOG

WIDE CYLINDER FLANGE CRANKCASE MODEL ENGINES

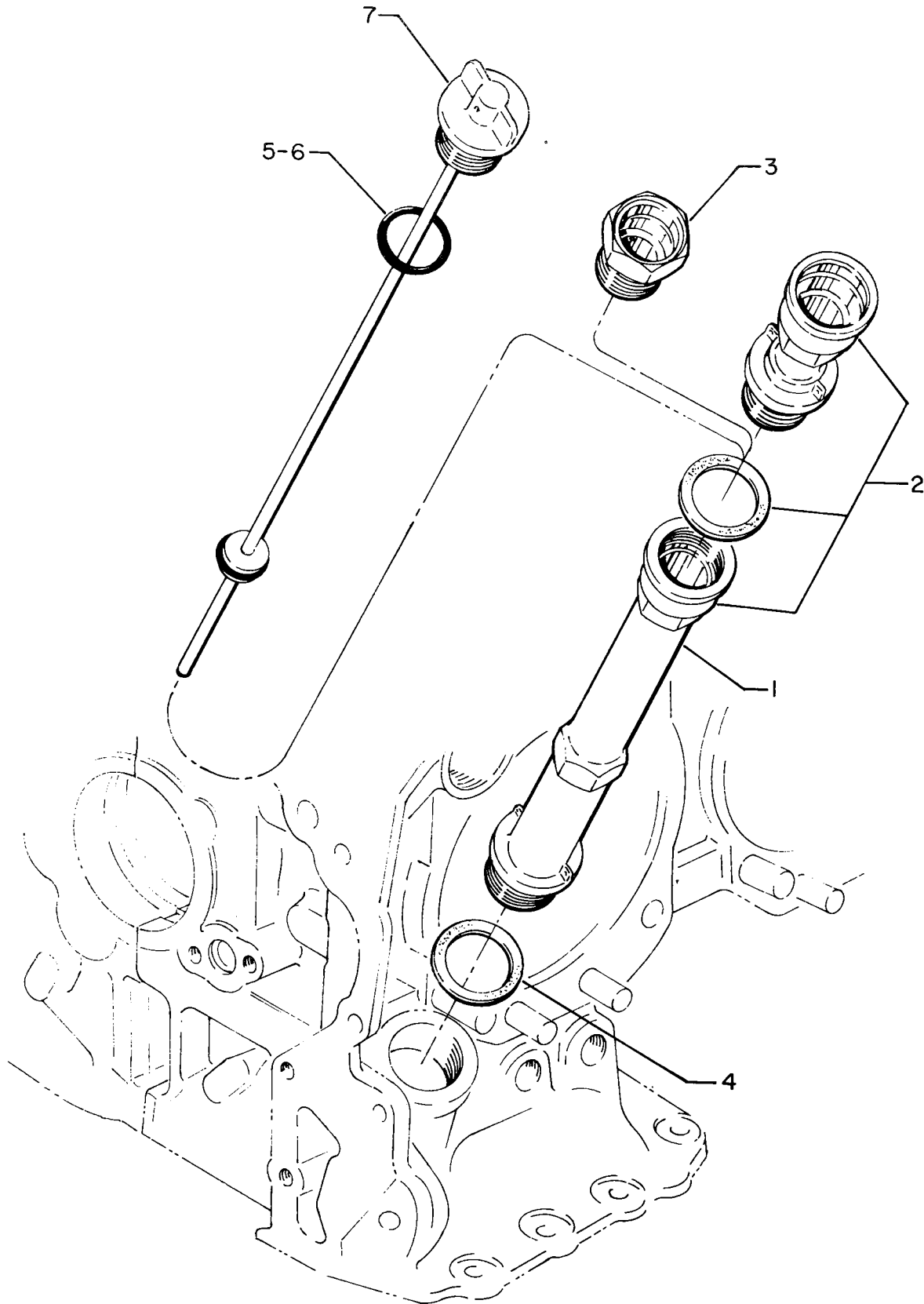


Figure 2 - Oil Level Gage Assemblies

LYCOMING O-360-A SERIES PARTS CATALOG

WIDE CYLINDER FLANGE CRANKCASE MODEL ENGINES

CRANKCASE, CRANKSHAFT AND CAMSHAFT GROUP

CRANKSHAFT, CAMSHAFT AND RELATED PARTS

FIG. REF.	PART NUMBER	DESCRIPTION	ON ALL	QUANTITY PER ASSEMBLY																
				A1A	A1D	A1G	A1G6D	A1G6	A1LD	A2A	A2D	A2F	A2G	A3A	A3AD	A4A	A4G	A4J	A4K	A5AD
	LW-12336	CRANKSHAFT AND COUNTERWEIGHT ASSY.					1	1												
	LW-12380	CRANKSHAFT AND COUNTERWEIGHT ASSY.						1	1											
1	74966	CRANKSHAFT ASSY.			1	1														
	74968	CRANKSHAFT ASSY.								1	1	1	1							
	74970	CRANKSHAFT ASSY.												1						
	77037	CRANKSHAFT ASSY.													1				1	
	LW-12335	CRANKSHAFT ASSY.					1	1												
	LW-11153	CRANKSHAFT ASSY.															1	1	1	
	LW-12379	CRANKSHAFT ASSY.						1	1											
	LW-13018	CRANKSHAFT ASSY.																		1
	LW-12593	CRANKSHAFT ASSY.			1					1										
	LW-14412	CRANKSHAFT ASSY.														1				
2	STD-1211	PLUG, 2.00 dia. expansion		1	1	1	1	1	1	1	1	1	1	1	1	1				
3	STD-1065	DOWEL, Stepped, 19/64 and 1/4 dia. x 35/64 long		1	1	1	1	1		1	1	1	1	1	1	1	1	1	1	1
4	STD-2078	DOWEL, 3/8 OD x 1/2 long			1		1	1	1						1					1
5	61510	PLUG, 1-3/4 OD		1	1	1	1	1	1	1										1
6	72060	BUSHING, Prop. flange, indexing		1	1	1	1	1	1	1	1	1	1				1	1	1	1
7	74248	BUSHING, Prop. flange, indexing, long												1	1	1				1
8	72061	BUSHING, Prop. flange, short		1	1	1	1	1	1	1	1	1	1				1	1	1	1
9	72062	BUSHING, Prop. flange, long		4	4	4	4	4	4	4	4	4	4				4	4	4	4
	74249	BUSHING, Prop. flange, long												5	5	5				5
10	73810	BUSHING, Crankshaft dynamic counterweight					4	4	4	4										
11	72801	COUNTERWEIGHT ASSY.					2	2	2	2										
12	71907	BUSHING, Dynamic counterweight					8	8	8	8										
13	LW-10977	ROLLER, Dynamic counterweight, 8th order					2	2	2	2										
14	LW-10945	ROLLER, Dynamic counterweight, 6.3 order					2	2	2	2										
15	LW-14820	RING, Internal retaining					8	8	8	8										
16	71907	WASHER, Dynamic counterweight					8	8	8	8										
17	76097	CAMSHAFT ASSY.		1	1	1	1	1	1	1	1	1	1	1	1	1	1	1	1	1
	78717	CAMSHAFT ASSY.								1										
18	61155	GEAR, Crankshaft		1	1	1	1	1	1	1	1	1	1	1	1	1	1	1	1	1
	LW-10284	GEAR, Crankshaft			1		1	1	1					1						1
19	61156	LOCKPLATE, Crankshaft gear		1	1	1	1	1	1	1	1	1	1	1	1	1	1	1	1	1
	LW-10332	LOCKPLATE, Crankshaft gear			1		1	1	1					1						1
20	STD-847	SCREW, 5/16-24 x 1.00 long		1	1	1	1	1	1	1	1	1	1	1	1	1	1	1	1	1
21	AN8-14A	BOLT, 1/2-20 x 1-19/32 long, hex hd.		1		1	1	1	1					1						1

LYCOMING O-360-A SERIES PARTS CATALOG

WIDE CYLINDER FLANGE CRANKCASE MODEL ENGINES

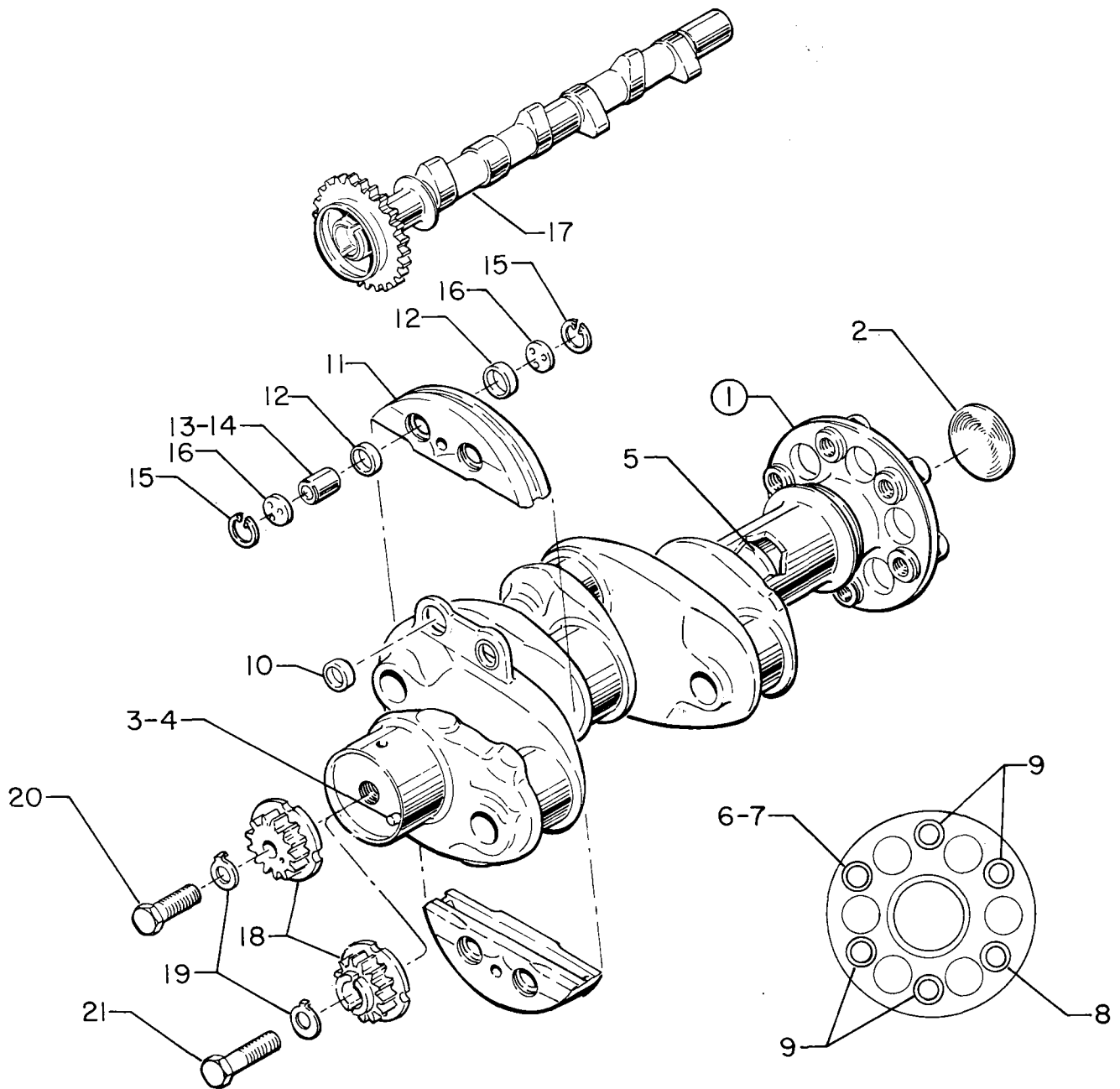


Figure 3 - Crankshaft, Camshaft and Related Parts

CRANKCASE, CRANKSHAFT AND CAMSHAFT GROUP
CRANKCASE RELATED PARTS

FIG. REF.	PART NUMBER	DESCRIPTION	O N A L L	QUANTITY PER ASSEMBLY																			
				A 1 A	A 1 A D	A 1 D	A 1 F 6	A 1 F 6 D	A 1 G 6	A 1 G 6 D	A 1 L D	A 2 A	A 2 D	A 2 F	A 2 G	A 3 A	A 3 A D	A 4 A	A 4 G	A 4 J	A 4 K	A 4 M	A 5 A D
1	1028-B	BALL, 11/16 dia.	1																				
2	61084*	SPRING, Oil pressure relief valve	1																				
	LW-11713*	SPRING, Oil pressure relief valve													1								
	77467*	SPRING, Oil pressure relief valve																		1			
3	STD-425	WASHER, No. 10 plain (Max. 9)	un																				
4	STD-1045	GASKET, 1-1/4 ID x 1-1/2 OD x 3/32 annular	1																				
5	76529	PLUG, Oil relief valve	1																				
6	77808	VALVE ASSY., Oil pressure relief, adjustable																					
7	LW-11021	BEARING, Crankshaft	4																				
8	LW-13884	BEARING, Crankshaft, front	2																				
9	LW-13792	SEAL, Crankshaft, oil	1																				
10	72075	SEAL, Oil, 5/64 section x 15/32 ID	2																				
11	72091	RING, Oil seal, 23/64 ID x 7/64 dia. section	2																				
12	72877	BODY, Hydraulic tappet	8																				

* - Select spring that gives desired oil pressure using a minimum number of washers.

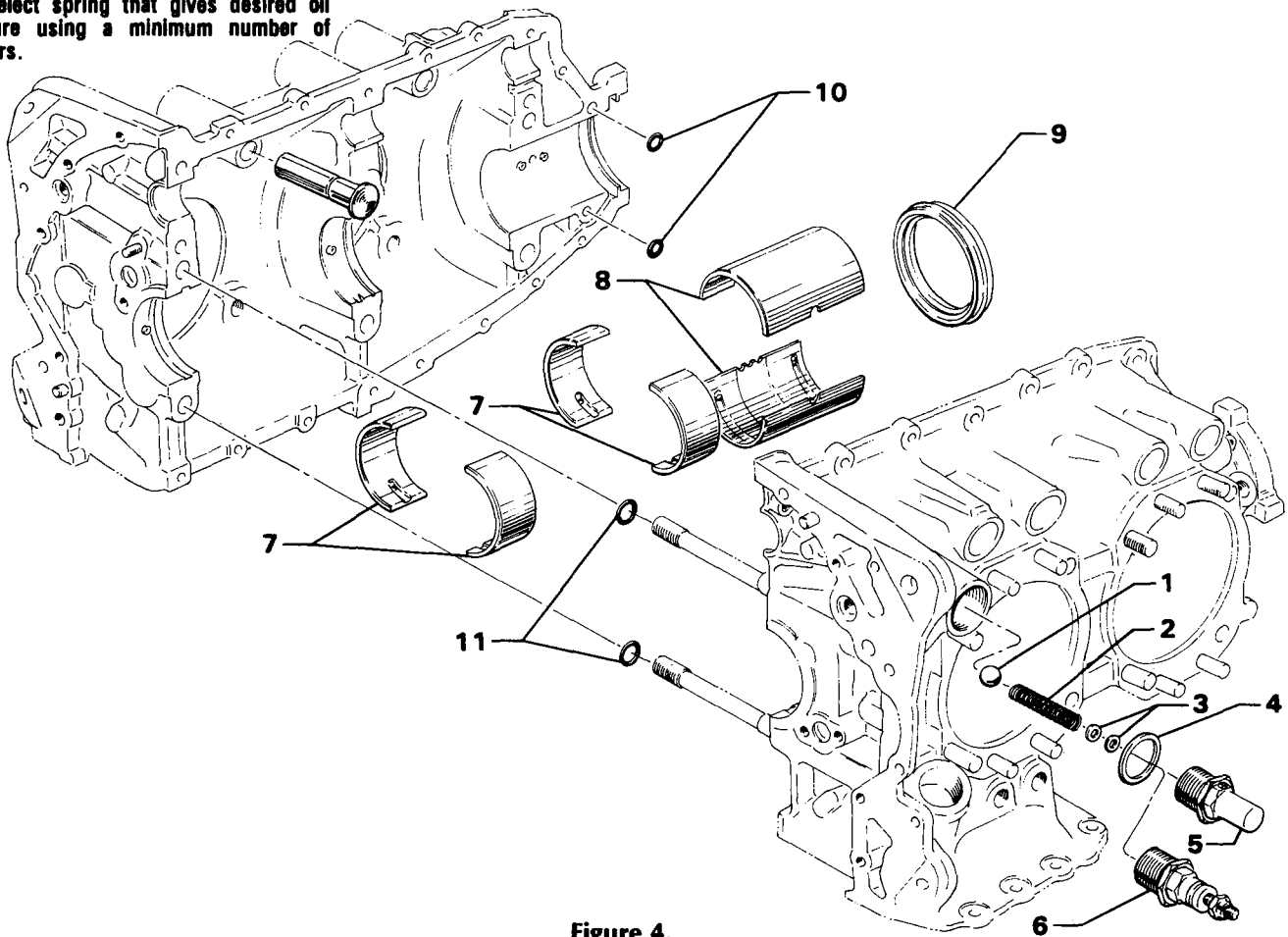


Figure 4.

LYCOMING O-360-A SERIES PARTS CATALOG

WIDE CYLINDER FLANGE CRANKCASE MODEL ENGINES

CRANKCASE, CRANKSHAFT AND CAMSHAFT GROUP

PROPELLER GOVERNOR DRIVE (CRANKCASE)

FIG. REF.	PART NUMBER	DESCRIPTION	ON ALL	QUANTITY PER ASSEMBLY																			
				A1A	A1AD	A1D	A1F6	A1F6D	A1G6	A1G6D	A1LD	A2A	A2D	A2F	A2G	A3A	A3D	A4A	A4G	A4J	A4K	A4M	A5AD
5																							
1	77875	GEAR, Prop. governor driven																					
2	LW-14021	SHAFT, Prop. governor idler gear																					
3	77874	GEAR ASSY., Prop. governor idler																					
4	77872	BUSHING, Prop. governor idler gear																					
5	STD-19	DOWEL, 3/32 dia. x 7/32 long																					
6	STD-798	DOWEL, 3/32 dia. x 9/32 long																					
7	73249	WASHER, Thrust																					
	73250	WASHER, Thrust																					
	73251	WASHER, Thrust																					
	73252	WASHER, Thrust																					
8	AN565B1032H5	SET SCREW, No. 10-32 x 5/16 long																					
9	70455	GASKET, 25/32 ID x 1-1/8 OD x 1/16 thick																					
10	LW-13896	PLUG, 3/4-16, hex hd.																					

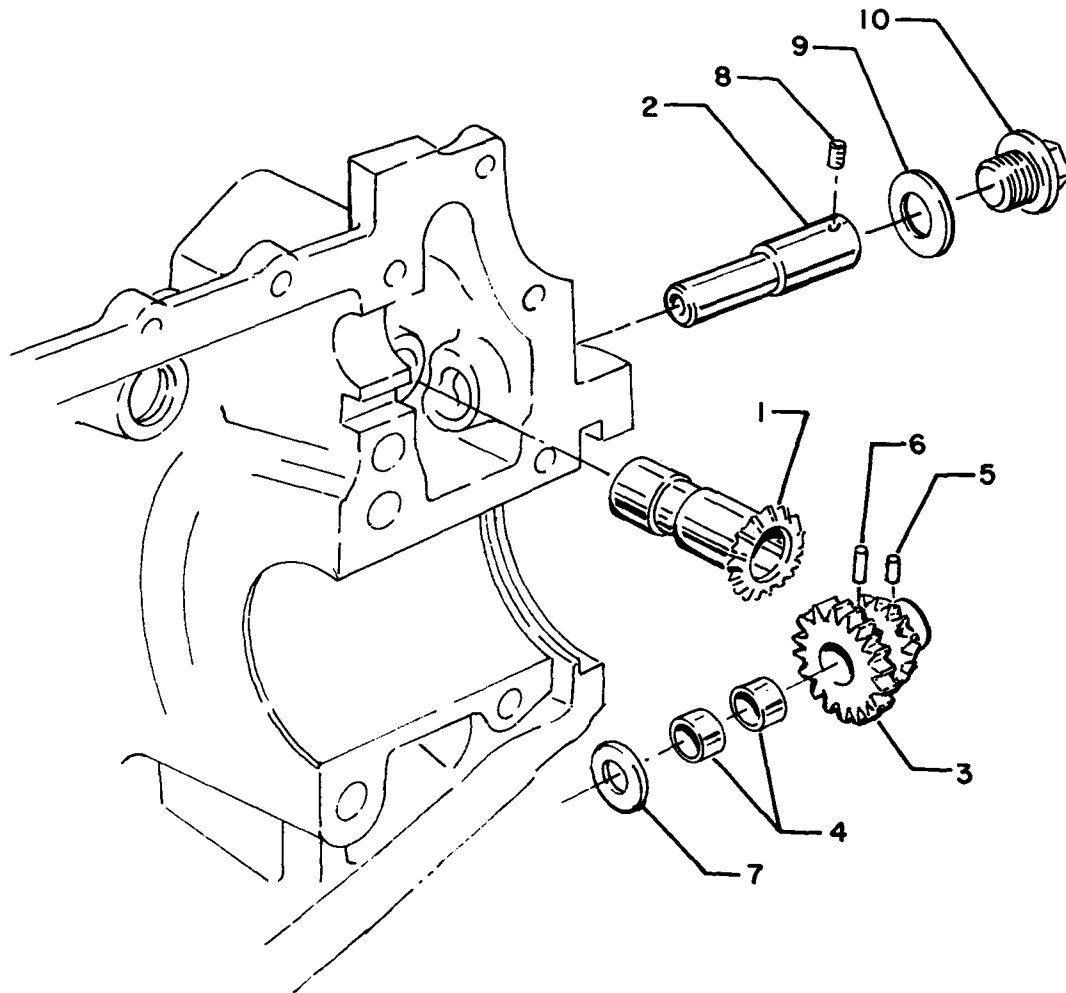


Figure 5.

LYCOMING O-360-A SERIES PARTS CATALOG

WIDE CYLINDER FLANGE CRANKCASE MODEL ENGINES

CRANKCASE, CRANKSHAFT AND CAMSHAFT GROUP

CRANKSHAFT IDLER GEARS AND TACHOMETER DRIVE

FIG. REF.	PART NUMBER	DESCRIPTION	ON ALL	QUANTITY PER ASSEMBLY																		
				A1A	A1AD	A1D	A1F6	A1G6D	A1G6	A1D	A2A	A2D	A2F	A2G	A2A	A2AD	A3A	A3G	A3J	A3K	A3M	A3AD
1	61544	PLUNGER, Fuel pump, long	1																			
2	74996	GEAR ASSY., Crankshaft idler, plain			2		2						2									
	74996	GEAR ASSY., Crankshaft idler, plain			1		1	1		1			1	1	1	1	1		1	1	1	1
	LW-10296	GEAR ASSY., Crankshaft idler								1									1			1
	LW-12911	GEAR ASSY., Crankshaft idler					1			1									1			
3	77309	BUSHING, Crankshaft idler gear			2		2						2									
	77309	BUSHING, Crankshaft idler gear			1		1	1		1			1	1	1	1	1		1	1	1	1
4	75072	GEAR ASSY., Crankshaft idler			1		1	1		1			1	1	1	1	1		1	1	1	1
	LW-10286	GEAR ASSY., Crankshaft idler					1			1	1								1			1
5	77309	BUSHING, Crankshaft idler gear			1		1	1		1			1	1	1	1	1		1	1	1	1
6	76121	SHAFT ASSY., Tachometer	1																			
7	78368	PIN, 3/16 dia. x 2-21/64 long	1																			
8	76118	SPACER, Tach. shaft centering	1																			
9	MS16625-1081	RING, Internal retaining	1																			
10	LW-13796	SHAFT, Crankshaft idler gear			2		2	2		2			2	2	2	2	2		2	2	2	2
11	STD-2167	SCREW, 5/16-18 x 43/64 long, hex hd. dr.			3		3	3		3			3	3	3	3	3		3	3	3	3
12	STD-2168	NUT, 5/16-18 NC-3 Slotted shear			1		1	1		1			1	1	1	1	1		1	1	1	1

LYCOMING O-360-A SERIES PARTS CATALOG
WIDE CYLINDER FLANGE CRANKCASE MODEL ENGINES

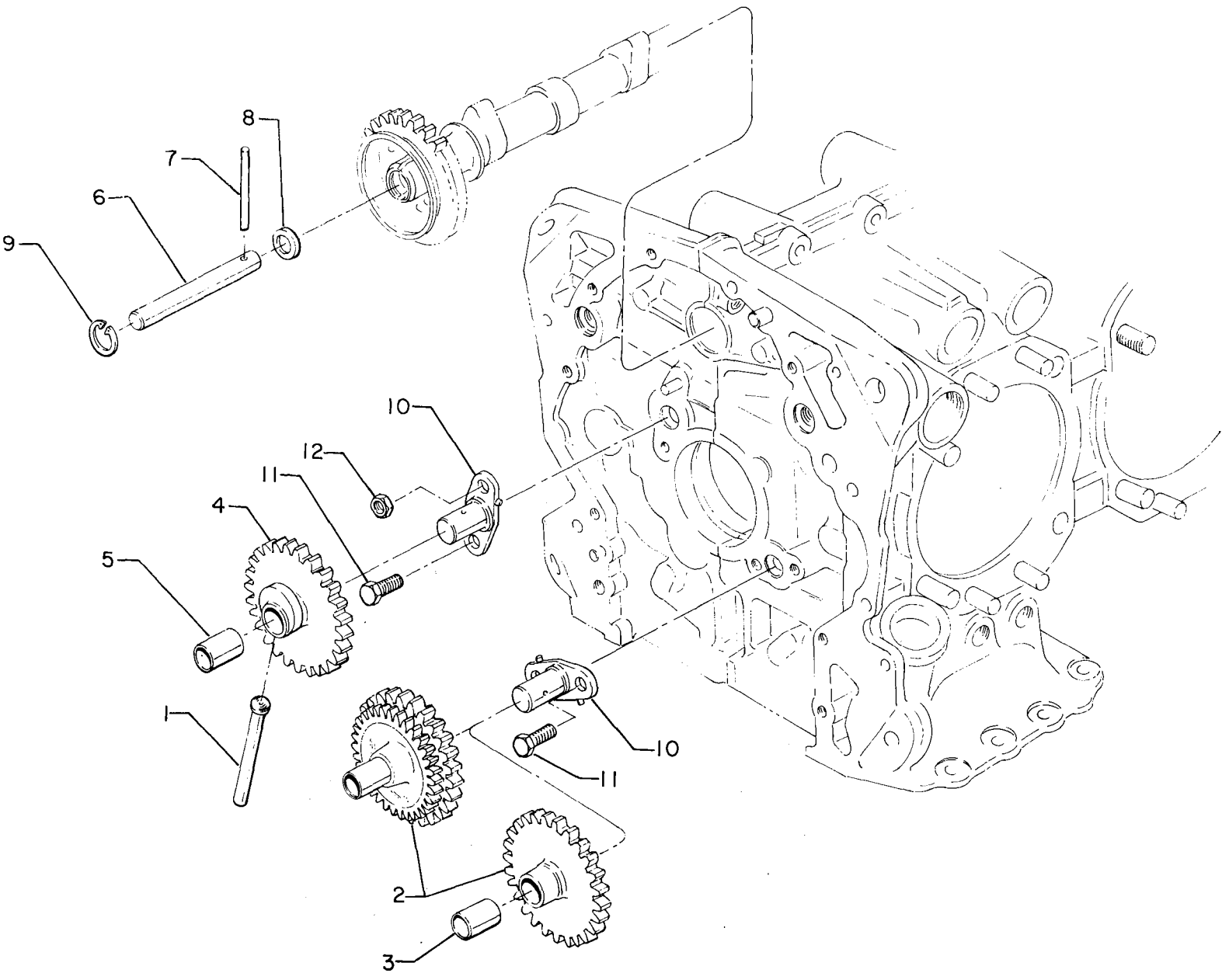


Figure 6 - Crankshaft Idler Gears and Tachometer Drive
1-10

LYCOMING O-360-A SERIES PARTS CATALOG

WIDE CYLINDER FLANGE CRANKCASE MODEL ENGINES

CRANKCASE, CRANKSHAFT AND CAMSHAFT GROUP

CRANKCASE ATTACHING PARTS

FIG. REF.	PART NUMBER	DESCRIPTION	ON ALL	QUANTITY PER ASSEMBLY																				
				A/A	A/AD	A/D	A/F6	A/F6D	A/G6	A/G6D	A/LD	A/LD	A/ZA	A/2D	A/2F	A/2G	A/3A	A/3AD	A/4A	A/4G	A/4J	A/4K	A/4M	A/4D
1	STD-1414	BOLT, 1/4-20 x 1-1/2 long, hex hd.	8																					
	STD-1414	BOLT, 1/4-20 x 1-1/2 long, hex hd.											5											
2	STD-2084*	BOLT, 1/4-20 x 1-3/4 long, hex hd.											2											
3	LW-10572**	BOLT, Crankcase attaching (1/4-20)											1											
4	STD-8	WASHER, 1/4 plain		19	19	19	19	19	19	19	20	19	19	19	19	19	19	19	19	19	19	19	19	19
5	60803	STRAP, Lifting	1																					
6	STD-2084	BOLT, 1/4-20 x 1-3/4 long, hex hd.	1																					
7	STD-1419	BOLT, 1/4-20 x 1-1/8 long, hex hd.		3	3	3	3	3	3	3	4	3	3	3	3	3	3	3	3	3	3	3	3	3
8	STD-160	WASHER, 1/4 lock, internal teeth		12	12	12	12	12	12	12	13	12	12	12	12	12	12	12	12	12	12	12	12	
9	STD-1411	NUT, 1/4-20 plain	9																					
10	STD-1416	BOLT, 1/4-20 x 1-1/2 long, hex hd. dr. end	3																					
11	STD-8	WASHER, 1/4 plain (Max. 9)	un																					
12	STD-1409	NUT, 1/4-20 slotted shear	3																					
13	STD-33	WASHER, 3/8 plain	3																					
14	AN960-616L	WASHER, 3/8 plain (Thick) (Max. 3)	un																					
15	STD-872	NUT, 3/8-24 slotted	1																					
16	AN6-34A	BOLT, 3/8-24 x 3-37/64 long, hex hd.		2	2	2	2	2	2	2	2	2	2	2	2	2	2	2	2	2	2	2	2	2
	AN6-34A	BOLT, 3/8-24 x 3-37/64 long, hex hd.									1	1												
17	LW-10573†	BOLT, Crankcase attaching (3/8-24) special										1												
18	LW-10574*†	SPACER, Crankcase bolt										1												
19	LW-11866*+	SPACER, Nut, Compressor																1						
	LW-11866++	SPACER, Nut, Compressor																2				2		
20	STD-33	WASHER, 3/8 plain		2	2	2	2	2	2	2	2	2	2	2	2	2	2	2	2	2	2	2	2	2
	STD-33	WASHER, 3/8 plain										4												
	STD-33+	WASHER, 3/8 plain																5						
	STD-33+	WASHER, 3/8 plain																6				6		
21	STD-678	WASHER, 3/8 lock, internal teeth		2	2	2	2	2	2	2	2	2	2	2	2	2	2	2	2	2	2	2	2	2
	STD-678	WASHER, 3/8 lock, internal teeth (used with STD-596)																1						
21	STD-596	NUT, 3/8-24 plain		2	2	2	2	2	2	2	2	2	2	2	2	2	2	2	2	2	2	2	2	2
	STD-596	NUT, 3/8-24 plain																1						
22	76220	STUD, 1/2-20 x 10-11/16 long	4																					

* - Assemble in 4th and 5th (from rear) top crankcase attaching holes - assemble with bolt head on right crankcase.

** - Assemble in 6th (from rear) top crankcase attaching hole with hex head on left crankcase.

† - Assemble in front upper main bearing crankcase attaching hole with hex head on left crankcase.

*† - Assemble on right crankcase side.

*+ - Install at lower front main bearing hole on right crankcase side.

++ - Install at front main bearing holes on right crankcase side.

+ - 2 required under head of AN6-34A, used with LW-11866.

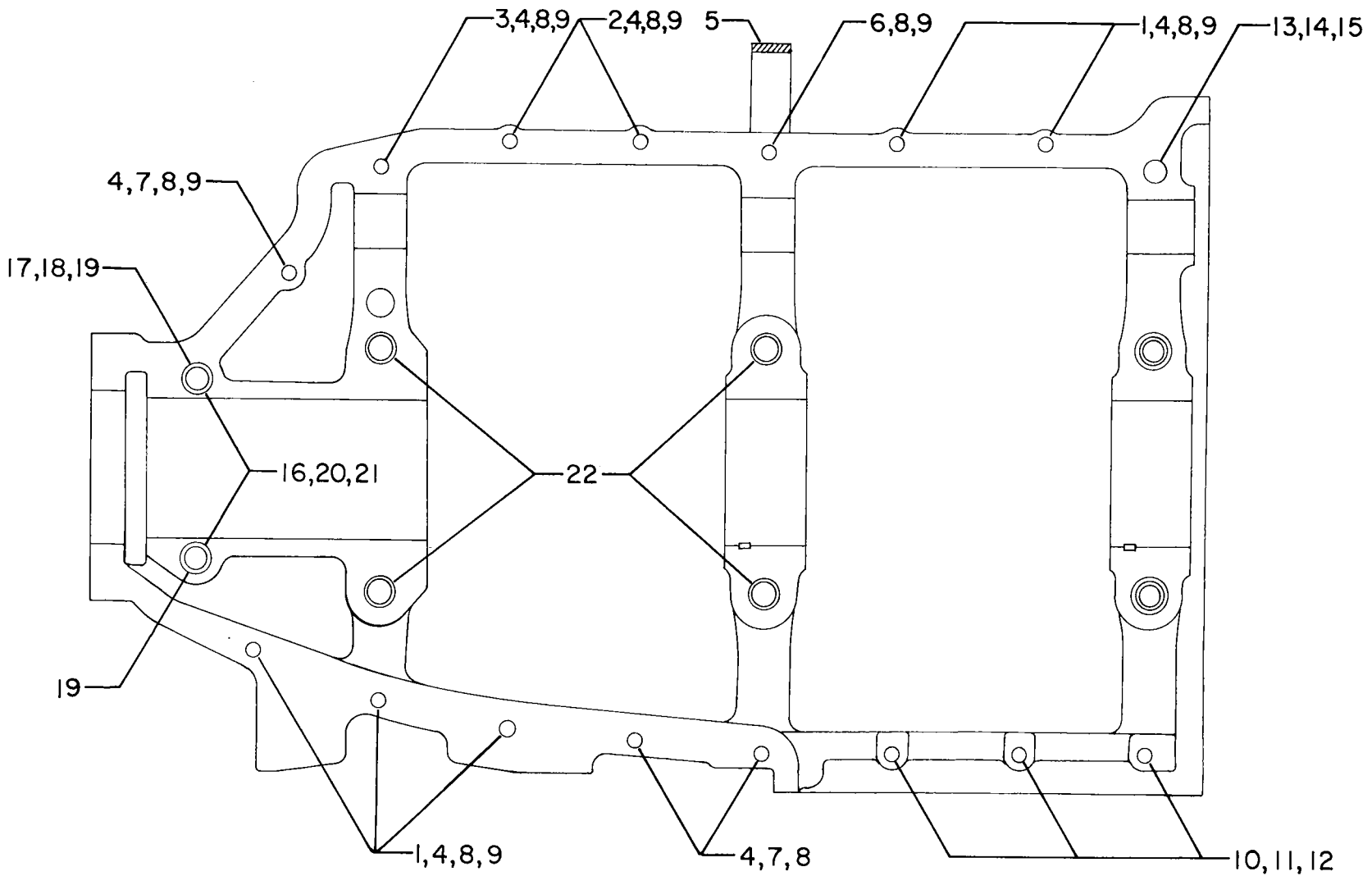


Figure 7 - Crankcase Attaching Parts
1-12

LYCOMING O-360-A SERIES PARTS CATALOG

WIDE CYLINDER FLANGE CRANKCASE MODEL ENGINES

CRANKCASE, CRANKSHAFT AND CAMSHAFT GROUP

STARTER RING GEAR SUPPORT ASSEMBLY

FIG. REF.	PART NUMBER	DESCRIPTION	ON ALL	QUANTITY PER ASSEMBLY																		
				A1A	A1AD	A1D	A1F6	A1G6D	A1G6D	A1LD	A2A	A2D	A2F	A2G	A3A	A3AD	AAA	AAAG	AAJ	AAK	AAW	ASAD
1	LW-16064	SUPPORT ASSY., Starter ring gear, 12/14 pitch, 1.91:1 drive			1	1					1	1		1	1						1	
	75221	SUPPORT ASSY., Starter ring gear, 12/14 pitch, 2.5:1 drive			1									1								
	77579	SUPPORT ASSY., Starter ring gear, 12/14 pitch, 3.25:1 drive			1	1	1	1	1	1	1	1	1	1	1	1	1	1	1	1	1	1
	75030	SUPPORT ASSY., Starter ring gear, 12/14 pitch, 3.25:1 drive			1						1	1										
	LW-10184	SUPPORT ASSY., Starter ring gear, 12/14 pitch, dual groove, 3.25:1 drive										1										
	LW-10504	SUPPORT ASSY., Starter ring gear, 12/14 pitch, 3 grooves, 3.25:1 drive											1									
2	72566	GEAR, Starter ring, 12/14 pitch	1																			

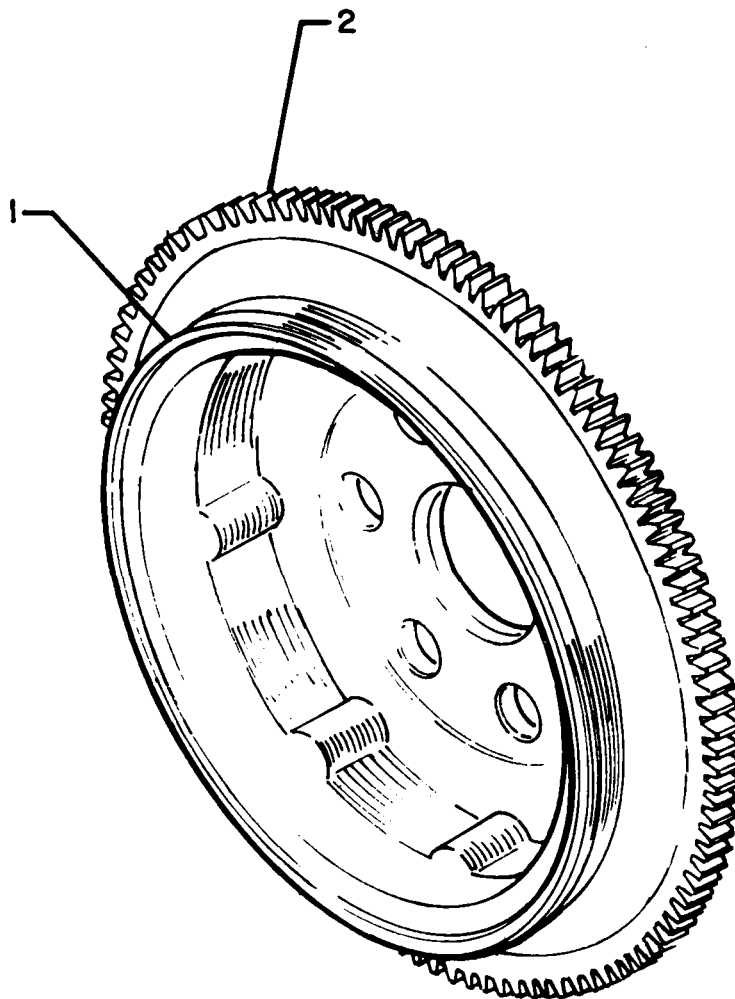


Figure 8.

Intentionally Left Blank

LYCOMING O-360-A SERIES PARTS CATALOG

WIDE CYLINDER FLANGE CRANKCASE MODEL ENGINES

ACCESSORY HOUSING AND RELATED PARTS

ACCESSORY HOUSING ASSEMBLY

FIG. REF.	PART NUMBER	DESCRIPTION	ON ALL	QUANTITY PER ASSEMBLY																				
				A1A	A1AD	A1D	A1F6	A1F6D	A1G6	A1G6D	A1LD	A2A	A2D	A2F	A2G	A3A	A3AD	AAA	AAG	AAJ	AAK	AAK	AAK	A3D
1	73818	GASKET, Accessory housing	1																					
2	76110	HOUSING ASSEMBLY, Accessory		1			1				1	1	1		1								1	
	76111	HOUSING ASSEMBLY, Accessory					1				1													
	77510	HOUSING ASSEMBLY, Accessory		1																				
	77412	HOUSING ASSEMBLY, Accessory																					1	
	77422	HOUSING ASSEMBLY, Accessory							1				1						1	1	1			
	77997	HOUSING ASSEMBLY, Accessory		1							1													
	78039	HOUSING ASSEMBLY, Accessory					1																	
	LW-10482	HOUSING ASSEMBLY, Accessory														1								
	LW-10884	HOUSING ASSEMBLY, Accessory															1							
	LW-10883	HOUSING ASSEMBLY, Accessory								1							1						1	
	LW-10885	HOUSING ASSEMBLY, Accessory				1		1									1							
	LW-15420	HOUSING ASSEMBLY, Accessory																1						
	LW-15421	HOUSING ASSEMBLY, Accessory																			1			
	LW-10891	HOUSING ASSEMBLY, Accessory								1														
	LW-14416	HOUSING ASSEMBLY, Accessory		1												1								
3	25C-22	STUD, 1/4-20 x 2-3/4 long		4		4	4	4		4	4	4	4	4	4		4	4	4	4	4	4	4	
4	25C-12	STUD, 1/4-20 x 1-1/2 long			4		4	4	4														4	
5	31C-12	STUD, 5/16-18 x 1-1/2 long		6	6	6	6	6		6	6	6	6	6			6	6	6	6	6	6	6	
	31C-12	STUD, 5/16-18 x 1-1/2 long		4	8					4							4		4					
6	75888	STUD, 1/4-20 x 1-1/4 long						6	6				6					6	6	6				
7	31C-13	STUD, 5/16-18 x 1-5/8 long			2	2	2	2	2		2	2	2	2			2	2	2	2	2	2	2	
8	31C-19	STUD, 5/16-18 x 2-3/8 long		2			2	2		2	2	2	2				2	2	2	2	2	2	2	
	31C-19	STUD, 5/16-18 x 2-3/8 long		4						4														
9	25C-11	STUD, 1/4-20 x 1-3/8 long		1		1																		
10	25C-31	STUD, 1/4-20 x 3-7/8 long		3		3																		
11	31C-15	STUD, 5/16-18 x 1-7/8 long															4							
12	31C-16	STUD, 5/16-18 x 2.00 long																2		2				
13	31CD-17	STUD, 5/16-18 x 2-1/8 long, drilled		3	4	3	3	4	3	4		3	3	3	3	3	4	3	3	3	3	3	3	
14	1102	PLUG, 1/4 pipe, Allen		2		2	2	2		2	2	2	2	2			2	2	2	2	2	2	2	
	1102	PLUG, 1/4 pipe, Allen		3													3					3		
15	STD-784	PLUG, 3/8 pipe, Allen		1		1	1	1		1	1	1	1	1			1	1	1	1	1	1	1	
16	LW-12589	INSERT, Heli-coil, 5/8-18 x 3/8 long			1			1	1								1						1	
17	MS124703	INSERT, Heli-coil, 3/4-16 x 1-1/8 long			1			1	1								1						1	
18	LW-10341	INSERT, Heli-coil, 1.00-14 x 3/8 long			1			1	1								1						1	
19	76119	SHIELD, Accessory breather oil	1																					
20	1102*	PLUG, 1/4-27 NPT, Allen hd.				1		1	1								1						1	

* - Assemble in accessory housing on top of oil filter pad.

LYCOMING O-360-A SERIES PARTS CATALOG
WIDE CYLINDER FLANGE CRANKCASE MODEL ENGINES

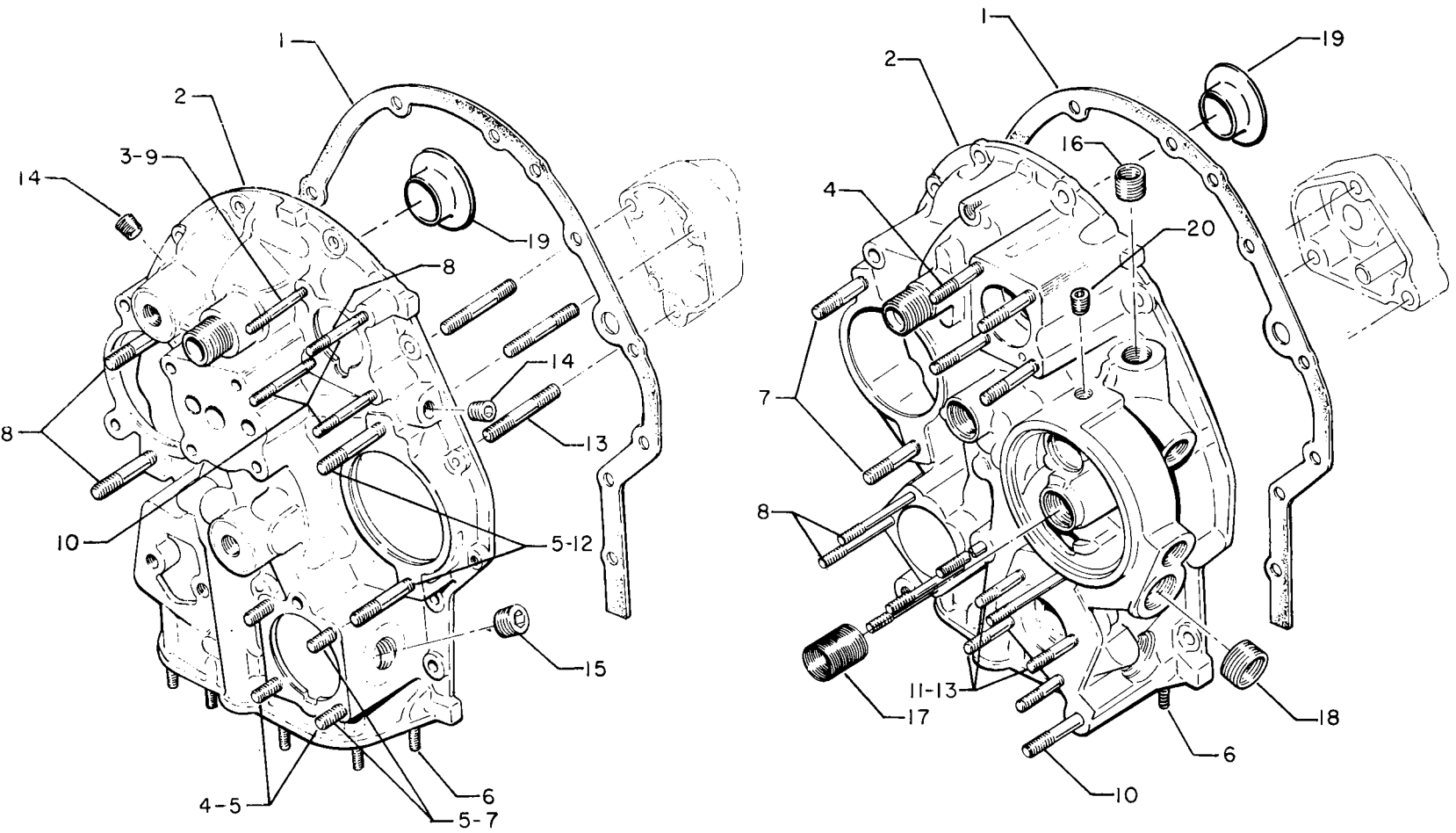


Figure 9 - Accessory Housing Assembly

LYCOMING O-360-A SERIES PARTS CATALOG

WIDE CYLINDER FLANGE CRANKCASE MODEL ENGINES

ACCESSORY HOUSING AND RELATED PARTS

OIL PUMP AND ACCESSORY HOUSING ATTACHING PARTS

FIG. REF.	PART NUMBER	DESCRIPTION	ON ALL	QUANTITY PER ASSEMBLY																			
				A1A	A1AD	A1D	A1EG	A1G6D	A1G6	A1GD	A2A	A2D	A2F	A2G	A3AD	A3A	A3AD	A4A	A4G	A4J	A4K	A4M	A5AD
1	78528	BODY ASSY., Oil pump			1	1	1	1			1	1	1	1	1		1	1	1	1	1		
2	STD-1339	PLUG, 1/16-27 NPT, Allen hd.			1	1	1	1			1	1	1	1	1		1	1	1	1	1		
3	LW-10342	BODY, Oil pump				1		1	1								1						1
4	LW-14040	GEAR ASSY., Oil pump drive				1		1	1								1						1
5	78532	IMPELLER ASSY., Oil pump driven	1																				
6	LW-14712	IMPELLER, Oil pump driving	1																				
7	STD-35	WASHER, 5/16 plain	3																				
8	STD-1420	NUT, 5/16-18 slotted			3	3	3	3			3	3	3	3	3		3	3	3	3	3		
9	STD-2150	BOLT, 5/16-18 x 1-3/4 long				3		3	3	3							3					3	
10	LW-14260	SEAL, Tachometer drive, oil	1																				
11	STD-8	WASHER, 1/4 plain	12																				
12	STD-160	WASHER, 1/4 lock, internal teeth	12																				
13	STD-1204	BOLT, 1/4-20 x 15/16 long, hex hd.		10	9	10	10	9	10	9	9	10	10	10	10	10	9	10	10	10	10	10	9
14	STD-1215	BOLT, 1/4-20 x 1-1/4 long, hex hd.			1		1	1	1								1						1
15	STD-1414	BOLT, 1/4-20 x 1-1/2 long, hex hd.		2	2	2		2			2	2	2	2	2		2	2	2	2	2		2
16	STD-1875	BOLT, 1/4-20 x 13/16 long, hex hd.			2		2	2	2								2						2

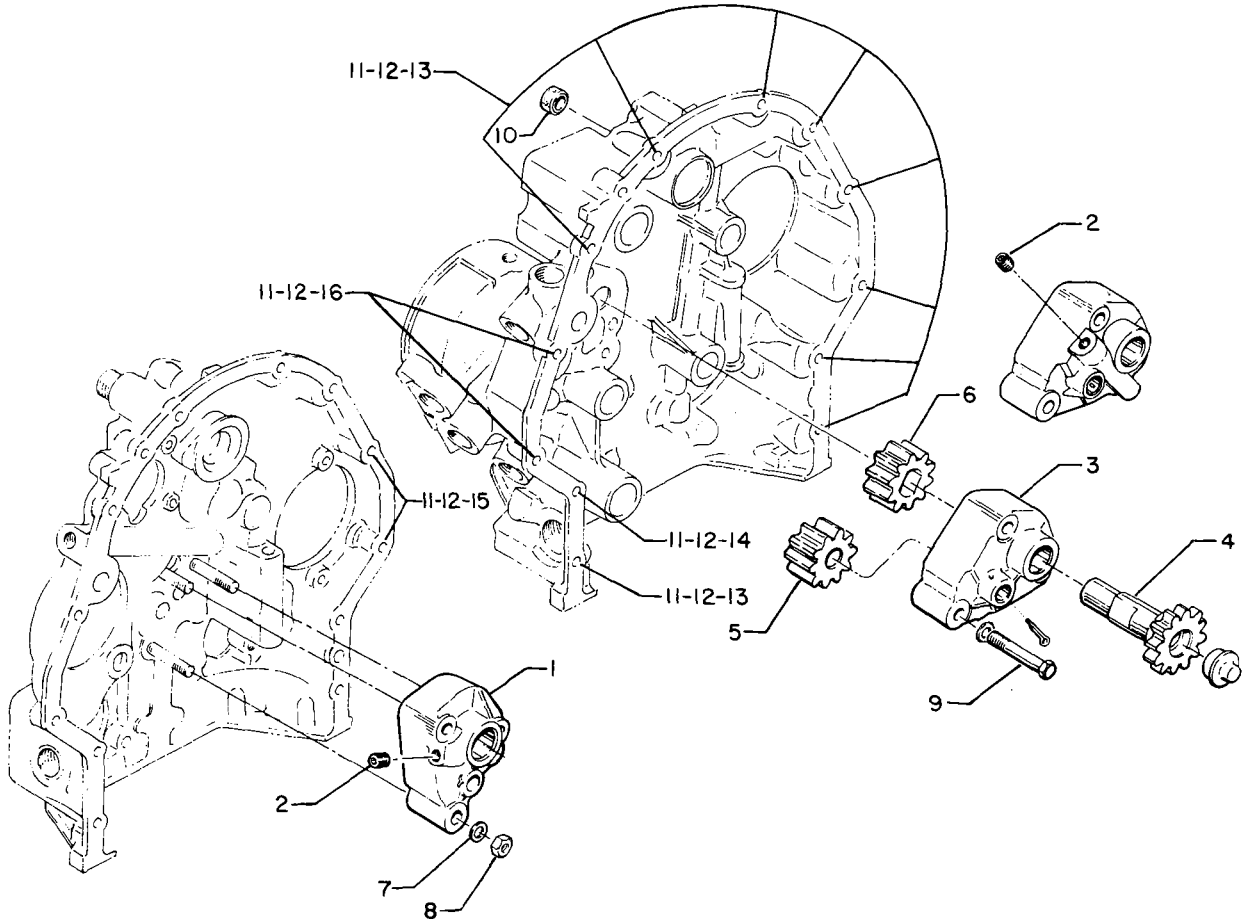


Figure 10.

LYCOMING O-360-A SERIES PARTS CATALOG

WIDE CYLINDER FLANGE CRANKCASE MODEL ENGINES

ACCESSORY HOUSING AND RELATED PARTS

PROPELLER GOVERNOR OIL LINE

FIG. REF.	PART NUMBER	DESCRIPTION	ON ALL	QUANTITY PER ASSEMBLY																			
				A1A	A1AD	A1D	A1F6	A1G6D	A1G6	A1G6D	A1D	A2A	A2D	A2F	A2G	A3A	A3AD	AAA	AAAG	AAJ	AAK	AAW	ASAD
1	75167	TUBE ASSY., Prop. gov. oil line			1			1	1														
	75166	TUBE ASSY., Prop. gov. oil line			1		1																
	76617	TUBE ASSY., Prop. gov. oil line					1																
	LW-12920	TUBE ASSY., Prop. gov. oil line				1			1	1													
2	STD-1930	HOSE, 3/8 ID x 1.00 long			1	1	1	1	1	1	1												
3	75165	CLIP, Prop. gov. oil line support			1	1	1	1	1	1	1												
4	71621	CLIP, 3/8 ID for 1/4 dia. screw,																					
		cushion type			1	1	1	1	1	1	1	1											
5	STD-35	WASHER, 5/16 plain			3	3	3	3	3	3	3												
6	STD-475	WASHER, 5/16 lock, internal lock			1	1	1	1	1	1	1												
7	STD-1838	BOLT, 5/16-18 x 15/16 long, hex hd.			1	1	1	1	1	1	1												
8	STD-700	ELBOW, 3/8 flared tube & 1/4																					
		NPT, 90°			1	1	1	1	1	1	1												
9	74070	ELBOW, 3/8 flared tube & 9/16-18,																					
10	75739	str. thd.			1	1	1	1	1	1	1												
		NIPPLE, 3/8 flared tube & 9/16-18,																					
		str. thd.			1		1																

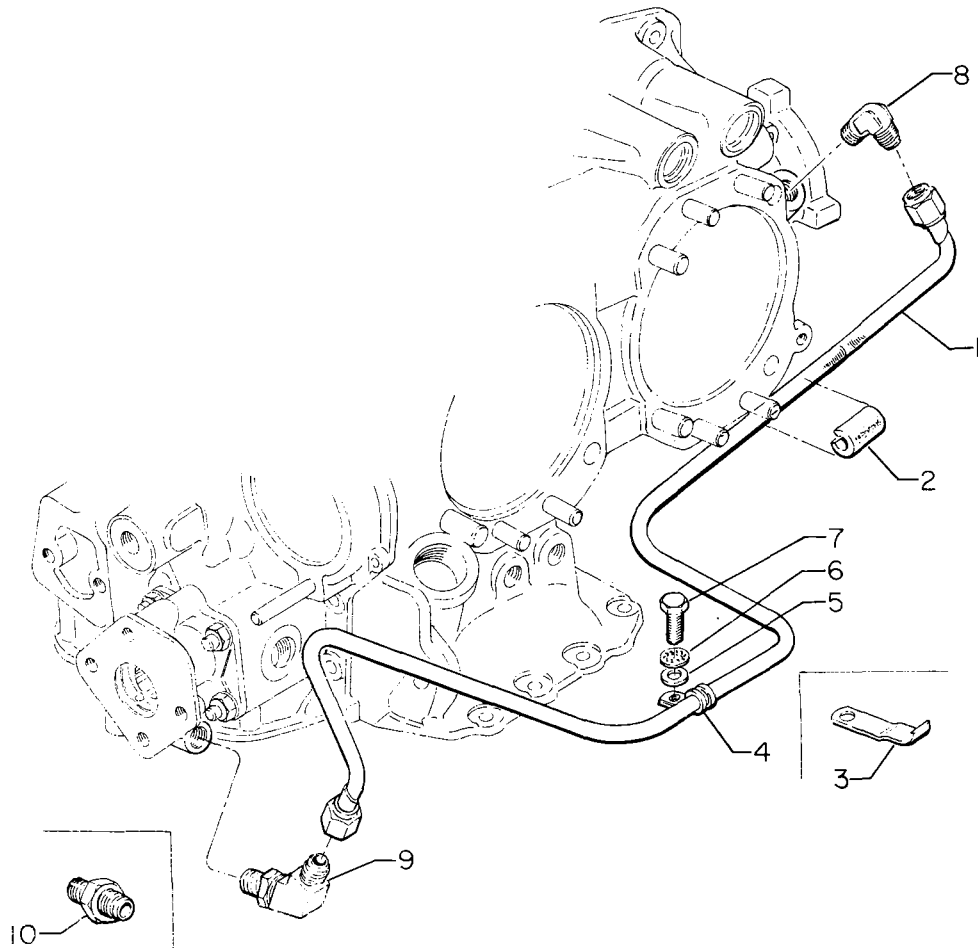


Figure 11.

LYCOMING O-360-A SERIES PARTS CATALOG

WIDE CYLINDER FLANGE CRANKCASE MODEL ENGINES

ACCESSORY HOUSING AND RELATED PARTS

PROPELLER GOVERNOR DRIVES AND COVERS

FIG. REF.	PART NUMBER	DESCRIPTION	ON ALL	QUANTITY PER ASSEMBLY																						
				A1A	A1AD	A1D	A1F6	A1F6D	A1G6	A1G6D	A1LD	A2A	A2D	A2F	A2G	A2AD	A3A	A3AD	A4A	A4G	A4J	A4K	A4M	A5AD		
1	68317	SHAFTGEAR, Prop. governor drive			1		1		1																	
2	LW-12914	GEAR ASSY., Accessory driven				1			1																	
3	LW-12913	THRUST BUTTON, Prop. gov. gear				1			1																	
4	71596	WASHER, Accessory driven gear			1	1	1	1	1	1																
5	STD-1221	RING, 13/16 dia. x 27/64 thick, internal retaining			1		1	1		1																
6	AN814-6L	PLUG, Gov. oil line (assemble in gov. drive adapter)																								
7	MS29512-6	SEAL, Oil, 5/64 dia. section x 15/32 ID (assemble in gov. drive adapter)																								
8	STD-783	PLUG, 1/4-18 NPT, Allen hd. (assemble in right crankcase, front)																								
9	68315	GASKET, Accessory drive adapter			1		1		1																	
10	75153	ADAPTER ASSY., Prop. gov. drive			1		1																			
	75545	ADAPTER ASSY., Prop. gov. drive			1		1		1																	
	78594	ADAPTER ASSY., Prop. gov. drive			1		1		1																	
11	1102	PLUG, 1/8-27 NPT			1		1		1																	
12	31C-16	STUD, 5/16-18 x 2.00 long			4		4																			
	31C-14	STUD, 5/16-18 x 1-3/4 long			4		4		4																	
13	STD-1164	INSERT, 5/16-18 Heli-coil x 5/8 long			4		4		4																	
14	STD-1774	PIN, 1/8 dia. x 1/4 long			1		1		1																	
15	STD-35	WASHER, 5/16 plain			4		4		4																	
16	STD-475	WASHER, 5/16 lock, internal teeth			4		4		4																	
17	STD-1410	NUT, 5/16 plain			4		4		4																	
18	69551	GASKET, Accessory drive adapter			1									1	1	1	1	1		1	1	1	1	1	1	1
19	72053	GASKET, Governor			1	2	1	1	2	1	2	1								2						
20	LW-12347	PLATE, Prop. gov. pad				1			1		1															
21	69106	COVER, Gov. drive adapter pad			1									1	1	1	1	1		1	1	1	1	1	1	1
22	72378	COVER, Gov. drive			1	1	1	1	1	1	1	1														
23	STD-35	WASHER, 5/16 plain			4		4		4					4	4	4	4	4		4	4	4	4	4	4	4
	STD-35*	WASHER, 5/16 plain			un	un	un	un	un	un	un	un								un						
24	STD-475	WASHER, 5/16 lock, internal teeth			4	4	4	4	4	4	4	4	4	4	4	4	4	4	4	4	4	4	4	4	4	4
25	STD-1410	NUT, 5/16-18 plain			4	4	4	4	4	4	4	4	4	4	4	4	4	4	4	4	4	4	4	4	4	4
26	STD-1889	BOLT, 5/16-18 x 1-7/32 long			4		4		4																	
27	STD-783	PLUG, 1/4-18 NPT, Allen hd. (assemble in right crankcase, front)			1									1	1	1	1	1	1	1	1	1	1	1	1	1

* - 32 required for Woodward governor. 4 required for AN governor.

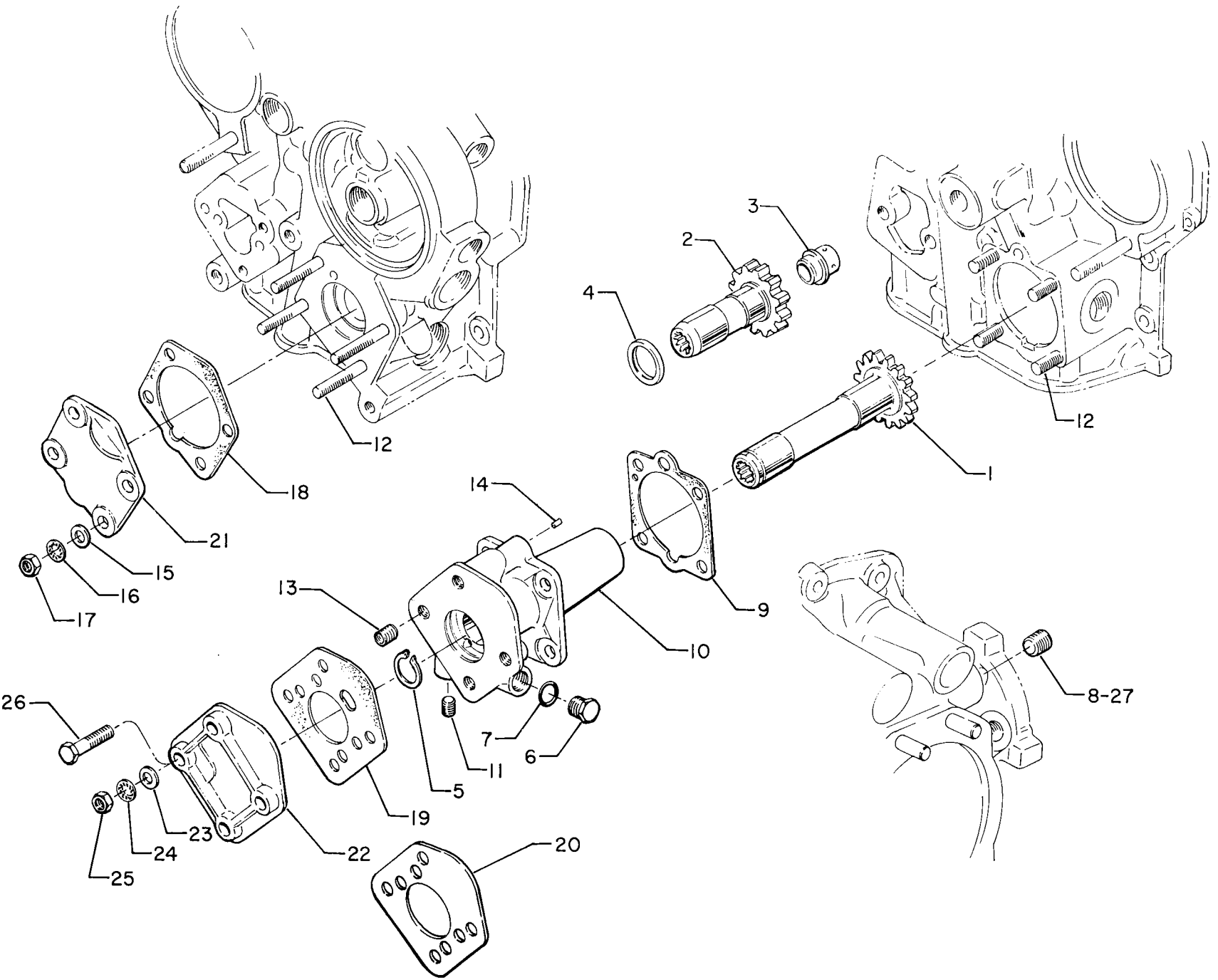


Figure 12 - Propeller Governor Drives and Covers
2-6

LYCOMING O-360-A SERIES PARTS CATALOG

WIDE CYLINDER FLANGE CRANKCASE MODEL ENGINES

ACCESSORY HOUSING AND RELATED PARTS

FUEL PUMP ASSEMBLY AND ATTACHING PARTS

FIG. REF.	PART NUMBER	DESCRIPTION	ON ALL	QUANTITY PER ASSEMBLY																			
				A1A	A1AD	A1D	A1F6	A1F6D	A1G6	A1G6D	A1LD	A2A	A2D	A2F	A2F6	A3A	A3AD	A4A	A4G	A4J	A4K	A4M	A5AD
1	60096	GASKET, Fuel pump	1																				
2	LW-15472	FUEL PUMP, Low pressure, dual diaphragm (6441271)			1	1	1	1	1		1	1	1		1	1	1					1	1
	LW-16335	FUEL PUMP, Low pressure, dual diaphragm (6441452)								1	1			1				1	1	1			
3	STD-33	WASHER, 3/8 plain	2																				
4	STD-1882	SCREW, 3/8-16 x 1-9/32 long, socket hd., dr. hd.	2																				
5	65098	COVER, Fuel pump			1	1					1							1					
6	LW-38.75	BOLT, 3/8-16 x 3/4 long, hex hd.			2	2					2							2					
7	STD-678	WASHER, Lock			2	2					2							2					

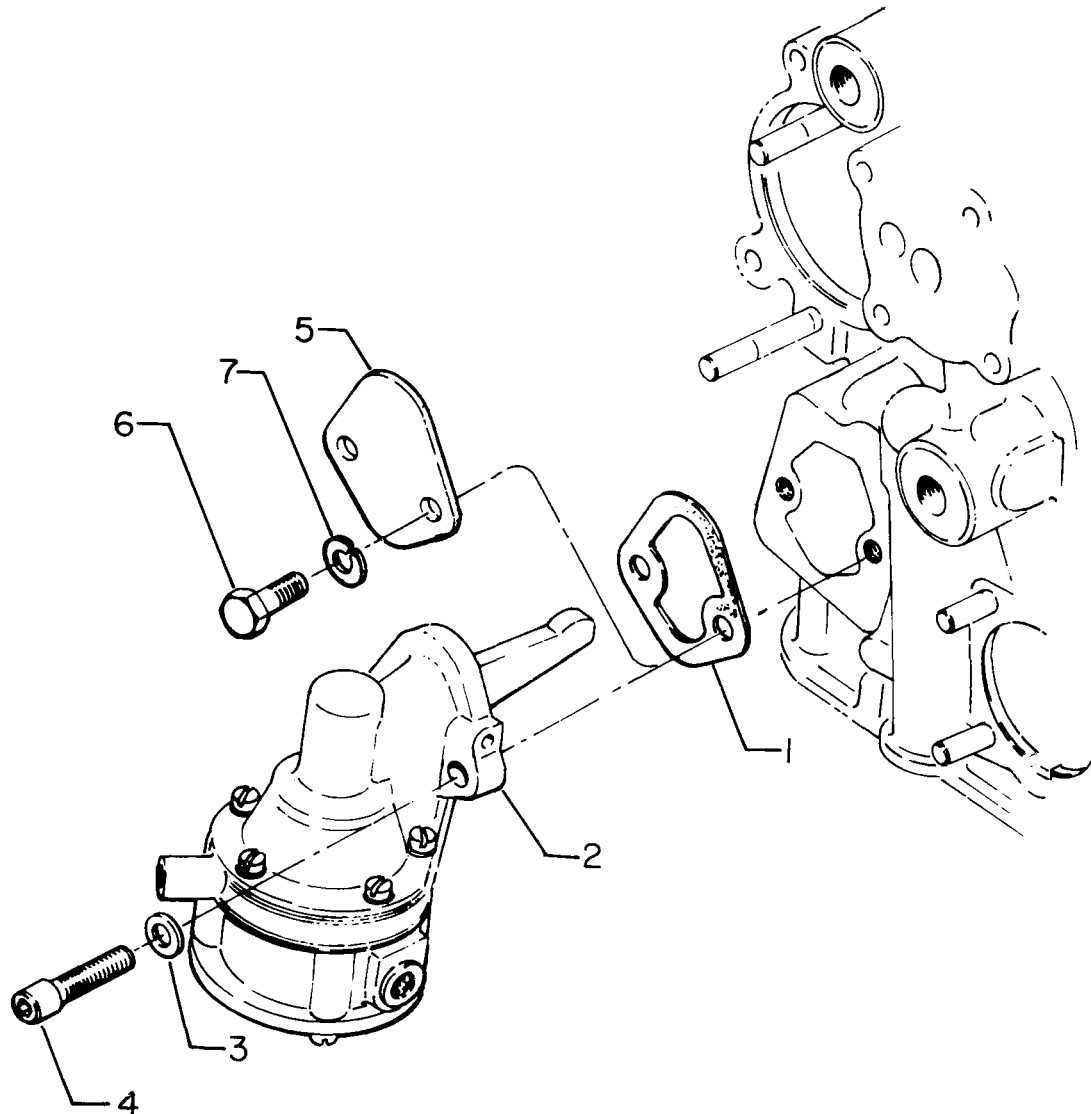


Figure 13.

LYCOMING O-360-A SERIES PARTS CATALOG

WIDE CYLINDER FLANGE CRANKCASE MODEL ENGINES

ACCESSORY HOUSING AND RELATED PARTS

VACUUM PUMP, FUEL PUMP DRIVES AND COVERS

FIG. REF.	PART NUMBER	DESCRIPTION	ON ALL	QUANTITY PER ASSEMBLY																		
				A1A	A1AD	A1D	A1F6	A1F6D	A1G6	A1G6D	A1LD	A2A	A2D	A2F	A2G	A3A	A3AD	A4A	A4J	A4K	A4M	A5AD
1	61183	GASKET, Accessory adapter			1	1	1	1			1	1	1	1	1	1	1	1	1	1	1	
2	61098	ADAPTER ASSY., Vacuum pump		1	1	1	1	1			1	1	1	1	1	1	1	1	1	1	1	
3	STD-1774	PIN, 1/8 dia. x 1/4 long		1	1	1	1	1			1	1	1	1	1	1	1	1	1	1	1	
4	STD-208	OIL SEAL, 7/8 ID x 1-1/2 OD x 5/16 wide			1	1	1	1			1	1	1	1	1	1	1	1	1	1	1	
5	72970	GEAR ASSY., Vacuum pump driven		1	1	1	1	1			1	1	1	1	1	1	1	1	1	1	1	
6	LW-10305	GEAR ASSY., Accessory driven			1		1	1	1							1						1
7	LW-10303	PLUG, Vacuum pump drive														1						
8	71596	WASHER, Accessory driven gear		1	1	1	1	1	1	1	1	1	1	1	1	1	1	1	1	1	1	
9	STD-208	OIL SEAL, 7/8 ID x 1-1/2 OD x 5/16 wide			1		1	1	1							1						1
10	8313	GASKET, Vacuum pump		1	1	1	1	1	1	1	1	1	1	1	1	1	1	1	1	1	1	
11	60430	COVER, Vacuum pump	1																			1
12	68593	SPACER, Vacuum pump stud		4	4						4	4	4	4	4	4	4	4	4	4	4	
13	74771	SPACER, Vacuum and hydraulic dual drive stud																				3
14	STD-8	WASHER, 1/4 plain	4																			
15	STD-160	WASHER, 1/4 lock, internal teeth	4																			
16	STD-1411	NUT, 1/4-20 plain	4																			

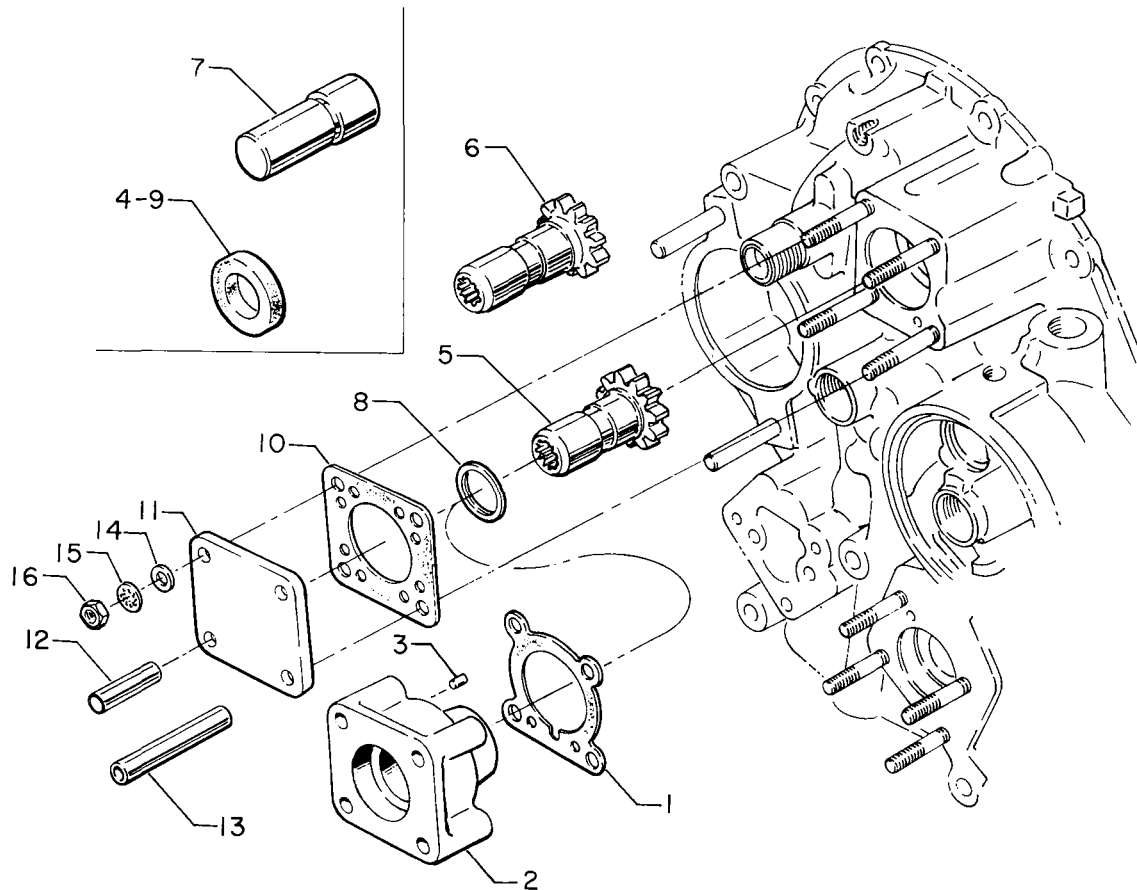


Figure 14.

LYCOMING O-360-A SERIES PARTS CATALOG

WIDE CYLINDER FLANGE CRANKCASE MODEL ENGINES

ACCESSORY HOUSING AND RELATED PARTS

OIL PRESSURE SCREEN FILTER AND OIL COOLER BYPASS VALVE

FIG. REF.	PART NUMBER	DESCRIPTION	ON ALL	QUANTITY PER ASSEMBLY																		
				A1A	A1AD	A1D	A1F6	A1G6	A1G6D	A1LD	A2A	A2D	A2F	A2G	A3A	A3AD	A4A	A4G	A4J	A4K	A4M	A5AD
15	1	STD-294	GASKET, 7/8 OD x 5/8 ID x 3/32 annular			1	1	1	1			1	1	1	1	1				1	1	
	2	69436	SPRING, Oil cooler bypass			1						1			1							
	3	62415	PLUNGER, Oil cooler bypass			1						1			1							
	4	62417	PLUG, Oil cooler bypass			1	1		1			1	1	1	1	1				1	1	
	5	69675	CONNECTOR, Accy. hsg. to oil cooler inlet hose			1	1	1				1	1	1	1	1						
	6	71600	ADAPTER, Oil cooler connection			1						1	1		1	1						
	7	71623	WASHER, Oil cooler fitting			1						1		1	1				1	1	1	
	8	AN777-8D	ELBOW, Universal, 75°			1						1		1	1				1	1	1	
	9	AN901-8A	GASKET, Metal tube connection seal			1						1		1	1				1	1	1	
	10	71620	BOLT, Oil cooler fitting			1						1		1	1				1	1	1	
	11	STD-784	PLUG, 3/8 pipe, Allen			2	2	2	2			2	2	2	2	2			2	2	2	2
		STD-784	PLUG, 3/8 pipe, Allen													1						
	12	AN816-8	NIPPLE, 1/2 flared tube, 3/8 pipe thd.			2									2							
	13	71140*	FITTING, Breather			1	1	1	1			1	1	1	1	1				1		
	14	72413*	FITTING, Breather, 120° elbow			1	1					1	1	1	1	1			1	1	1	
	15	AN844-10D	ELBOW, Pipe thd., 5/8 ID hose 45°			1		1							1						1	1
	16	MS29512-10**	SEAL, Oil, 3/32 section x 45/64 ID			1		1	1	1					1						1	
	17	AN814-10L**	PLUG, Turbo drain back			1		1	1	1					1						1	
	18	STD-294+	GASKET, 7/8 OD x 5/8 ID x 3/32 annular			2		2	2	2					2							2
	19	1540+	PLUG, Thermometer well			2		2	2	2					2							2
	20	MS29512-10++	SEAL, Oil 3/32 section x 45/64 ID			2		2							2							
	21	LW-12903++	REDUCER, 3/8 tube to 5/8 tube					2														
	22	LW-14828	REDUCER, 1/2 tube to 5/8 tube			2									2							
	23	62817	SCREEN ASSY., Oil pressure			1	1	1				1	1	1	1	1			1	1	1	1
	24	61173	GASKET, Oil pressure housing			1	1	1				1	1	1	1	1			1	1	1	1
	25	LW-12795	GASKET, Oil filter adapter			2	2		2			2	2	2	2						2	
	26	68974	HOUSING, Oil pressure screen									1		1								
	27	69510	HOUSING, Thermostatic valve and oil pressure screen			1	1	1				1	1	1	1	1			1	1	1	1
	28	77853	OIL FILTER HOUSING ASSY.			1	1		1			1	1	1	1							
	29	77852	OIL FILTER BASE ASSY.			1	1		1			1	1	1	1						1	
	30	LW-13215	OIL FILTER, Short, spin-on type					1							1	1					1	
	31	STD-294	GASKET, 7/8 OD x 5/8 ID x 3/32 annular			1	1	1				1	1	1	1	1			1	1	1	1
	32	STD-8	WASHER, 1/4 plain			4	4	4	4			4	4	4	4	4			4	4	4	4
	33	STD-160	WASHER, 1/4 lock, internal teeth			1	1		1			1	1	1	1						1	
		STD-160	WASHER, 1/4 lock, internal teeth					4					4									
	34	STD-1411	NUT, 1/4-20 plain			1	1		1			1	1	1	1						1	
	35	LW-25-0.75	BOLT, 1/4-20 x 3/4 long, hex hd.					4					4									
	36	STD-1856	SCREW, 1/4-20 x 31/32-1.00 long, hex hd. slotted			4	4	4				4	4	4	4	4			4	4	4	4
		STD-1856	SCREW, 1/4-20 x 1.00 long, hex hd., self-locking			3	3		3			3	3	3	3						3	
	37	LW-10321	SPRING, Oil filter bypass valve			1		1	1	1					1							1
	38	76539	SEAT, Oil relief valve			1		1	1	1					1							1
	39	LW-10320	SLEEVE, Oil filter bypass valve			1		1	1	1					1							1
	40	MS16625-1100	RING, Internal retaining			1		1	1	1					1							1
	41	LW-10660	OIL FILTER ASSY.			1		1	1	1					1							1
	42	LW-13906	OIL FILTER ASSY., Short					1	1	1					1							
	43	LW-13904	KIT, Converter plate, oil filter					1	1	1					1							

LYCOMING O-360-A SERIES PARTS CATALOG

WIDE CYLINDER FLANGE CRANKCASE MODEL ENGINES

ACCESSORY HOUSING AND RELATED PARTS

OIL PRESSURE SCREEN FILTER AND OIL COOLER BYPASS VALVE

FIG. REF.	PART NUMBER	DESCRIPTION	ON ALL	QUANTITY PER ASSEMBLY																	
				A1A	A1AD	A1D	A1F6	A1G6D	A1LD	A2A	A2D	A2F	A2G	A3A	A3AD	A3A	A3G	A3J	A3K	A3M	A3AD
44	75944	VALVE ASSY., Temp. control oil cooler bypass	1																		
45	25C-10*+	STUD, 1/4-20 x 1-1/4 long			1	1	1	1	1	1	1	1	1	1	1	1	1	1	1	1	1

* - Assemble in accessory housing.

** - Assemble in accessory housing at accessory oil return boss.

+ - Assemble in accessory housing at oil temperature and oil pressure bosses.

++ - Assemble in accessory housing at oil cooler inlet and outlet bosses.

*+ - Assemble in accessory housing filter pad at lower left tapped hole. Driven height of stud .60 - .64.

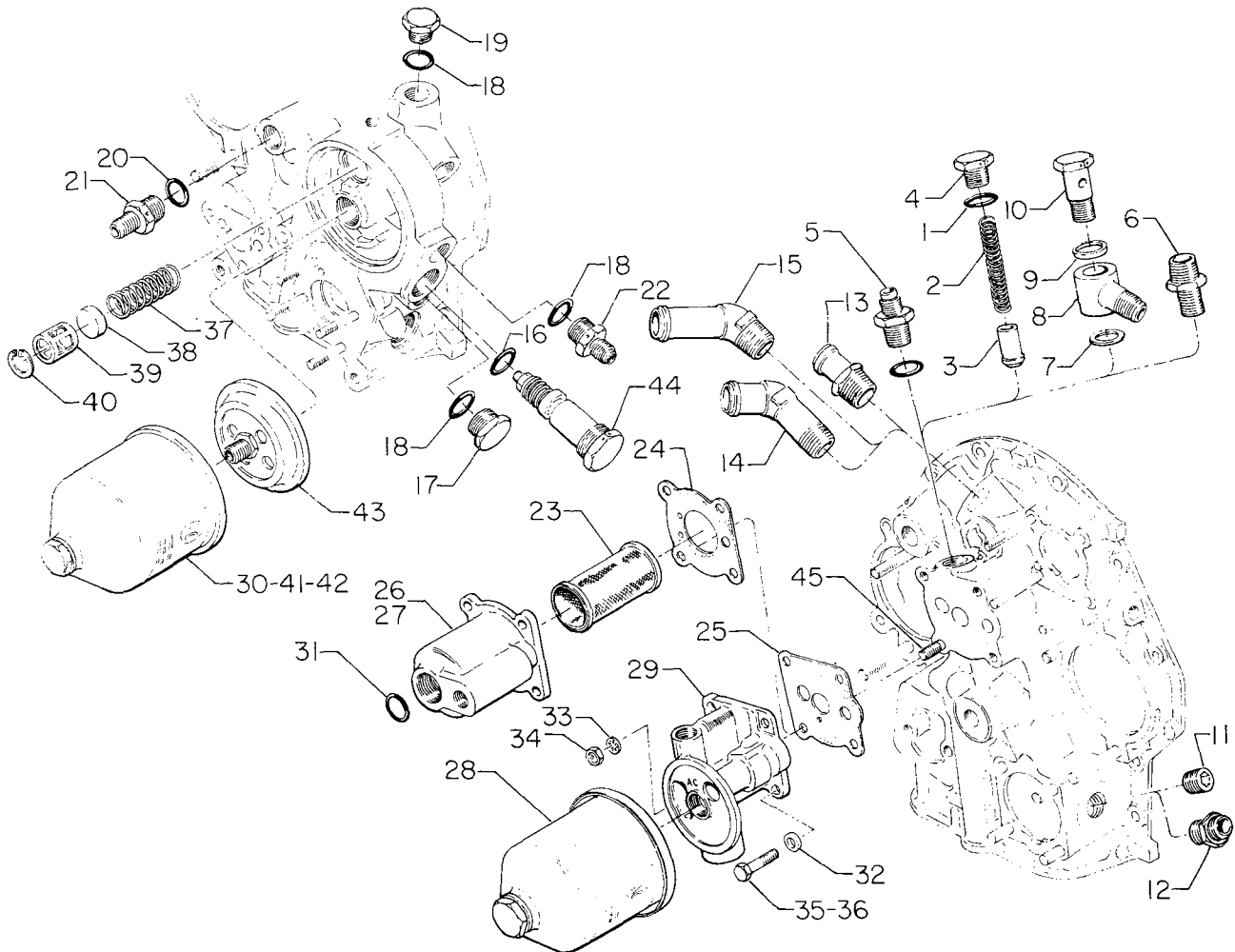


Figure 15.

LYCOMING O-360-A SERIES PARTS CATALOG

WIDE CYLINDER FLANGE CRANKCASE MODEL ENGINES

CYLINDER, PISTON AND VALVE TRAIN

CONNECTING ROD, PISTONS AND RING ASSEMBLIES

FIG. REF.	PART NUMBER	DESCRIPTION	ON ALL	QUANTITY PER ASSEMBLY																			
				A1A	A1AD	A1D	A1FG	A1F6D	A1G6	A1G6D	A1LD	A2A	A2D	A2F	A2G	A3A	A3AD	A4A	A4G	A4J	A4K	A4M	A5AD
16																							
1	LW-11750	CONNECTING ROD ASSY.	4																				
2	LW-13923	BUSHING, Connecting rod, upper	4																				
3	75061	BOLT, Connecting rod	8																				
4	LW-12186	NUT, Connecting rod bolt	8																				
5	LW-13521	BEARING, Connecting rod	8																				
6	75089	PISTON, Comp. ratio 8.50:1	4																				
7	LW-14078	PIN, Piston	4																				
8	60828	PLUG, Piston pin	8																				
9	74241	RING, Piston compression	8																				
10	73857	RING, Piston, oil regulating, expander type	4																				

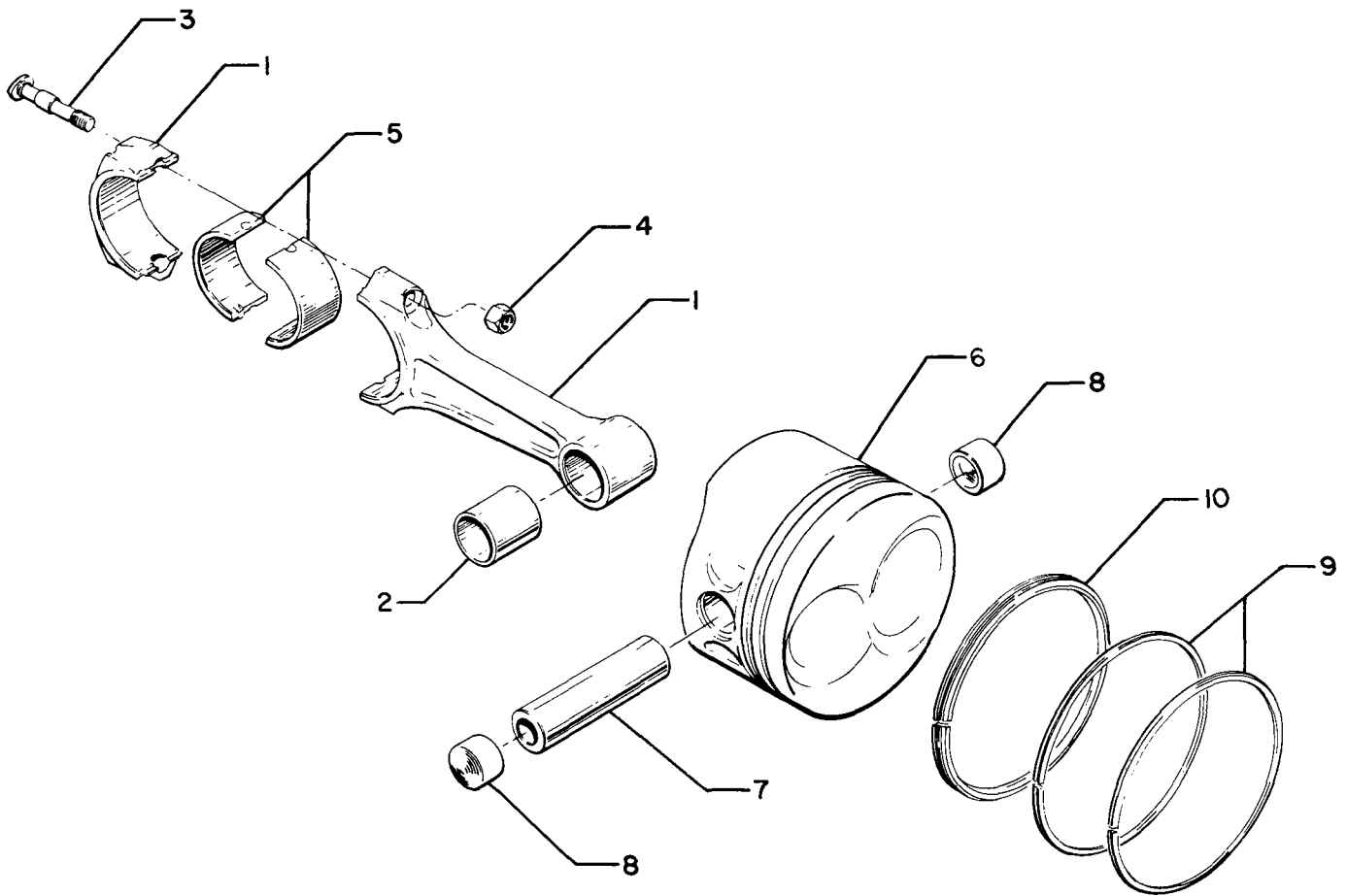


Figure 16.

LYCOMING O-360-A SERIES PARTS CATALOG

WIDE CYLINDER FLANGE CRANKCASE MODEL ENGINES

CYLINDER, PISTON AND VALVE TRAIN

CYLINDER ASSEMBLY

FIG. REF.	PART NUMBER	DESCRIPTION	ON ALL	QUANTITY PER ASSEMBLY -																			
				A1A	A1AD	A1D	A1E6	A1E6D	A1G6	A1G6D	A1LD	A2A	A2D	A2F	A2G	A3A	A3AD	A4A	A4G	A4J	A4K	A4M	A5AD
17																							
1	LW-12427	CYLINDER AND HEAD ASSY., Nitrided	4																				
2	72057	SEAT, Intake valve	4																				
3	72058	SEAT, Exhaust valve	4																				
4	76943	GUIDE, Valve, intake	4																				
5	77160	GUIDE, Valve, exhaust	4																				
6	66796	INSERT, Spark plug, 18-1.5 mm	8																				
7	STD-1872	INSERT, 1/4-27 Heli-coil taper pipe thd.	8																				
8	31C-12	STUD, 5/16-18 x 1-1/2 long	8																				
9	25C-9	STUD, 1/4-20 x 1-1/8 long	4																				
10	MS20823-6D	ELBOW, 45° 3/8 flared tube	4																				
11	66610	BUSHING, Rocker shaft	16																				
12	1102	PLUG, 1/8-27 NPT, Allen	4																				

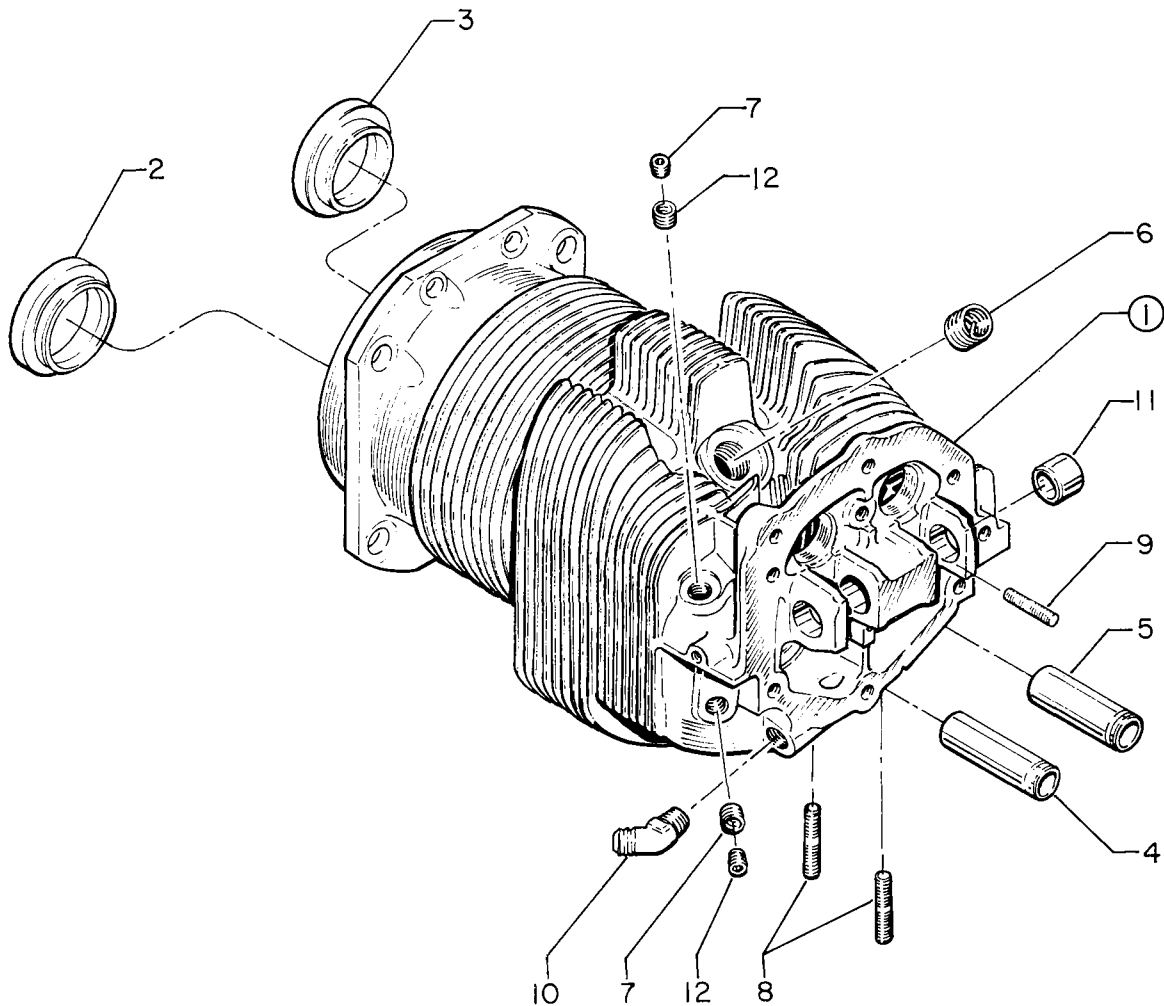


Figure 17.

LYCOMING O-360-A SERIES PARTS CATALOG

WIDE CYLINDER FLANGE CRANKCASE MODEL ENGINES

CYLINDER, PISTON AND VALVE TRAIN

CYLINDER RELATED PARTS

FIG. REF.	PART NUMBER	DESCRIPTION	ON ALL	QUANTITY PER ASSEMBLY																			
				A1A	A1AD	A1D	A1F6	A1F6D	A1G6	A1G6D	A1LD	A2A	A2D	A2F	A2G	A3A	A3AD	A4A	A4G	A4J	A4K	A4M	A5AD
1	73434	ROD ASSY., Push - A total	un																				
	73435	ROD ASSY., Push - of 8 push	un																				
	73436	ROD ASSY., Push - rods required	un																				
2	69444	ROCKER ASSY., Valve, intake	4																				
3	60398	BUSHING, Valve rocker, intake	4																				
4	74636	ROCKER ASSY., Valve, exhaust	4																				
5	74637	BUSHING, Valve rocker, exhaust	4																				
6	72117	ROCKER ASSY., Valve			8		8	8		8					8								
7	60398	BUSHING, Valve rocker			8		8	8		8					8								
8	LW-13790	SHAFT, Valve rocker	4																				
9	LW-12892	THRUST BUTTON, Rocker shaft	8																				
10	75906	GASKET, Rocker box cover	4																				
11	61247	COVER, Rocker box	4																				
12	72310	COVER ASSY., Rocker box (left)			2		2	2		2					2								
13	72380	COVER ASSY., Rocker box (right)			2		2	2		2					2								
14	STD-1925	SCREW, 1/4-20 x 5/8 long, pan hd., self-locking	24																				
15	71481	RING, Oil seal, 3/32 dia. x 4-27/32 ID	4																				
16	74887	SPACER, 33/64 ID x 7/8 OD x 3/8 thick	2																				
17	383-B	NUT, 3/8-24 plain	16																				
18	STD-2090	NUT, 1/2-20 plain	18																				
19	STD-35	WASHER, 5/16 plain	8																				
20	STD-475	WASHER, 5/16 lock, internal teeth	8																				
21	STD-1410	NUT, 5/16-18 plain	8																				
22	65321	GASKET, Exhaust flange			4	4	4	4	4	4	4	4	4	4	4	4	4	4	4	4	4	4	4
	77611	GASKET, Exhaust flange			4					4					4	4					4	4	
23	61260	FLANGE, Exhaust, stainless			4	4	4		4	4	4	4	4	4	4	4	4					4	

LYCOMING O-360-A SERIES PARTS CATALOG
WIDE CYLINDER FLANGE CRANKCASE MODEL ENGINES

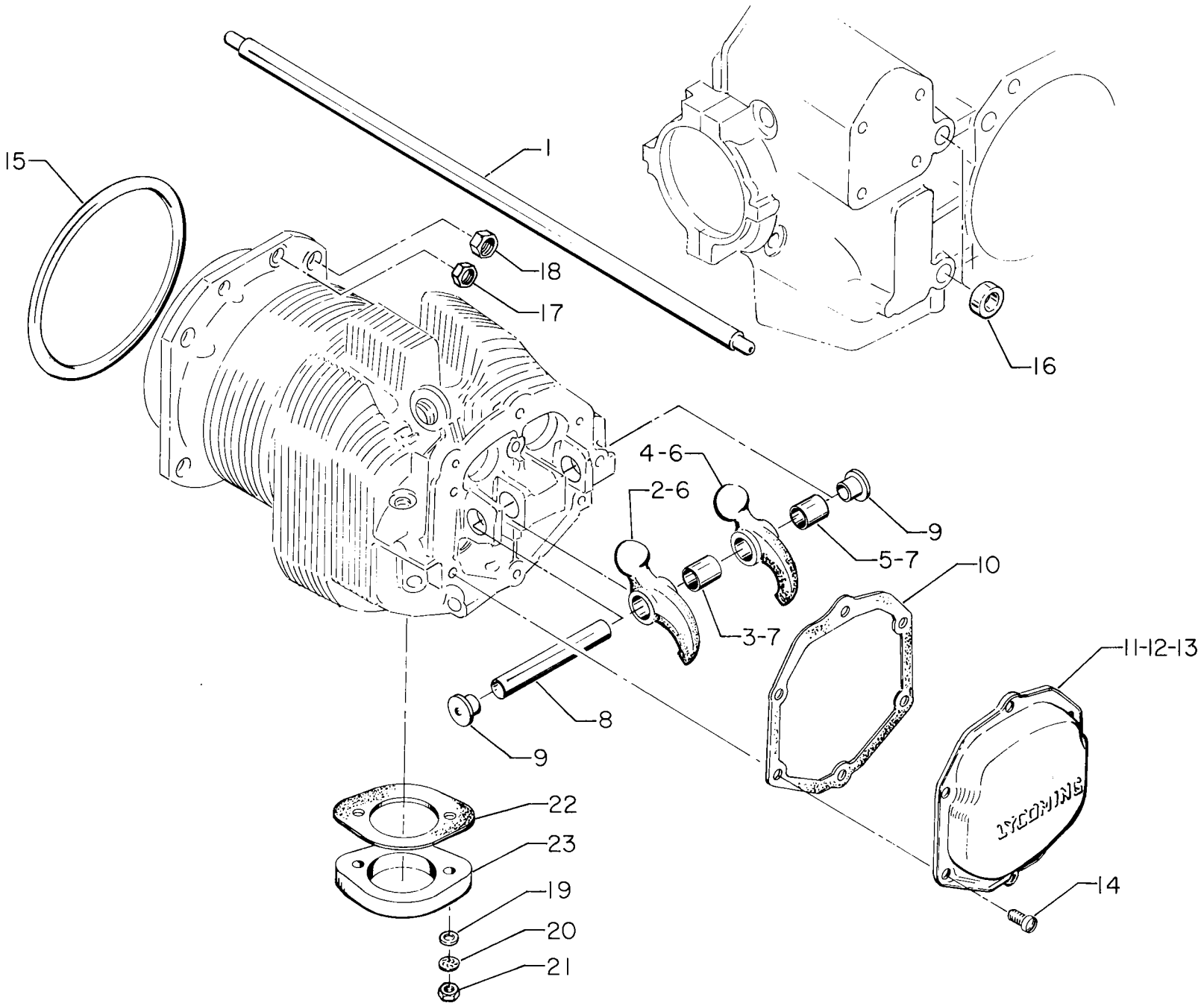


Figure 18 - Cylinder Related Parts
3-4

LYCOMING O-360-A SERIES PARTS CATALOG

WIDE CYLINDER FLANGE CRANKCASE MODEL ENGINES

CYLINDER, PISTON AND VALVE TRAIN

CYLINDER HEAD DRAIN TUBES AND INTERCYLINDER COOLING BAFFLES

FIG. REF.	PART NUMBER	DESCRIPTION	ON ALL	QUANTITY PER ASSEMBLY																			
				A1A	A1AD	A1D	A1F6	A1F6D	A1G6	A1G6D	A1L0	A2A	A2D	A2F	A2G	A3A	A3AD	A4A	A4G	A4J	A4K	A5AD	
1	STD-684	NIPPLE, Straight, 3/8 ID hose	4																				
2	STD-1821	HOSE, 3/8 ID x 2-1/2 long	4																				
3	LW-15592-5-05	CLAMP, Hose	8																				
4	68759	TUBE ASSY., Cyl. head oil drain, cyl. no. 1	1																				
5	68760	TUBE ASSY., Cyl. head oil drain, cyl. no. 2	1																				
6	68761	TUBE ASSY., Cyl. head oil drain, cyl. nos. 3 & 4	2																				
7	74428	TUBE ASSY., Cyl. head oil drain, cyl. no. 3				1	1						1										
8	68761	TUBE ASSY., Cyl. head oil drain, cyl. no. 4				1	1					1											
9	75339	BAFFLE ASSY., Intercylinder	2																				
10	71611	RETAINER, Intercylinder baffle	2																				
11	71610	HOOK, Intercylinder baffle retainer	2																				

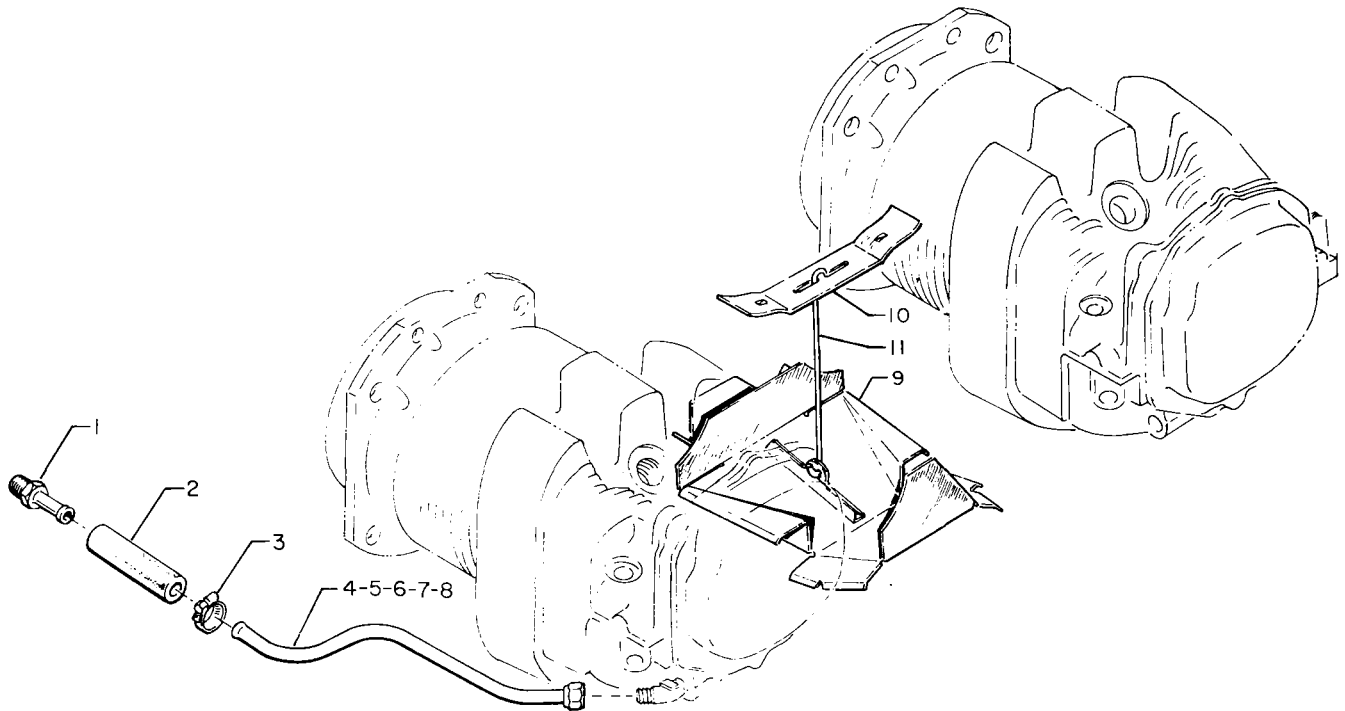


Figure 20.

IGNITION SYSTEM
MAGNETO DRIVES AND MAGNETOS

FIG. REF. 21	PART NUMBER	DESCRIPTION	Q N A L	QUANTITY PER ASSEMBLY																			
				A 1 A	A 1 A D	A 1 D	A 1 F 6	A 1 F 6 D	A 1 G 6	A 1 G 6 D	A 1 L D	A 2 A	A 2 D	A 2 F	A 2 G	A 3 A	A 3 A D	A 4 A	A 4 G	A 4 J	A 4 K	A 4 M	A 5 A D
1	61665	GEAR, Magneto impulse coupling	1			1		1			1		1	1	1		1	1	1	1	1		
	61665	GEAR, Magneto impulse coupling	2								2												
2	72495	GEAR, Magneto retard breaker				1					1												
3	61163	GEAR, Magneto	1		1	1		1			1	1	1	1		1	1	1	1	1	1		
4	STD-761	COTTER PIN, 3/32 dia. x 1.00 long																				1	1
5	62224	GASKET, Magneto adapter and magneto	3		2	1		1			3	2	1	1	3		3	1	3	1	1		
	62224	GASKET, Magneto adapter and magneto	4								4						4		4				
6	LW-12706	ADAPTER, Magneto impulse coupling	1			1	1			1		1	1	1		1	1	1	1	1			
	LW-12706	ADAPTER, Magneto impulse coupling	2								2												
	LW-12706	ADAPTER, Magneto impulse coupling, (left magneto)															1		1				
7	LW-15416	ADAPTER ASSY., Magneto drive (right magneto)															1		1				
8	LW-14910	COUPLING, Magneto drive (right magneto)															1		1				
9	LW-14230	CUSHION, Magneto drive (right magneto)															2		2				
10	LW-12681	GASKET, Magneto				2		2				2	2				2		2		2	2	
11	LW-51360-29	MAGNETO, S4LN-20	1								1				1		1						
	LW-51360-37	MAGNETO, Impulse coupling, S4LN-21	1								1				1		1						
	LW-163045-3	MAGNETO, S4LN-204				1						1			1				1				
	LW-163005-2	MAGNETO, Retard breaker, S4LN-200				1						1											
	LW-51360-45	MAGNETO, S4LN-21 with feed-thru capacitor, impulse coupling														1			1				
	LW-349305-1	MAGNETO, S4LN-1209				1		1				1	1				1						
	LW-349365-3	MAGNETO, Impulse coupling, S4LN-1227				1		1				1	1				1						
	LW-51360-37	MAGNETO, Impulse coupling, S4LN-21	2								2												
	LW-163045-6	MAGNETO, S4LN-204 (with electric tach. pick-up)										1											
	LW-163005-2	MAGNETO, Retard breaker, S4LN-200										1											
	LW-16365	MAGNETO & HARNESS ASSY., Right (Slick Magneto)																			1	1	
	LW-16364	MAGNETO, Right (Slick model 4150)																			1	1	
	77743	HARNESS ASSY., Ignition, right																			1	1	
	LW-16367	MAGNETO & HARNESS ASSY., Left (Slick Magneto)																			1	1	
	LW-16366	MAGNETO, Left (Slick model 4151, impulse coupling)																			1	1	
	77745	HARNESS ASSY., Ignition, left																			1	1	
	LW-15635	MAGNETO & HARNESS ASSY., Right (Slick Magneto)																					1
	LW-15636	MAGNETO, Right (Slick model 4250)																					1
	77743	HARNESS ASSY., Ignition, right																					1
	LW-15637	MAGNETO & HARNESS ASSY., Left (Slick Magneto)																					1
	LW-15638	MAGNETO, Left (Slick model 4251, impulse coupling)																					1

IGNITION SYSTEM
 MAGNETO DRIVES AND MAGNETOS (Cont.)

FIG. REF.	PART NUMBER	DESCRIPTION	O N A L L	QUANTITY PER ASSEMBLY																		
				A 1 A	A 1 A D	A 1 D	A 1 F 6	A 1 F 6 D	A 1 G 6	A 1 G 6 D	A 1 L D	A 2 A	A 2 D	A 2 F	A 2 G	A 3 A	A 3 A D	A 4 A	A 4 G	A 4 J	A 4 K	A 4 M
	77745	HARNESS ASSY., Ignition, left																				1
	LW-51360-37	MAGNETO, Impulse coupling, S4LN-21															1					
	LW-51360-29	MAGNETO, S4LN-20 (Right magneto)															1					
	LW-51360-45	MAGNETO, S4LN-21 with feed-thru capacitor, impulse coupling															1		1			
	LW-163045-3	MAGNETO, S4LN-204															1		1			
12	STD-1727	WASHER, Plain, 3/4 OD x 21/64 ID x 1/8 thick		4		4					4	4			4		4		4	4	4	
13	75965	CLAMP, Magneto					4	4					4	4				4				
	76961	CLAMP, Magneto																			4	4
14	STD-475	WASHER, 5/16 lock, internal teeth		4		4	4	4			4	4	4	4	4		4	4	4	4	4	4
15	STD-1410	NUT, 5/16-18 plain		4		4	4	4			4	4	4	4	4		4	4	4	4	4	4
16	76734	ZIP STRAPS																			8	8
17	LW-14057	CLIP, One wire																			2	2
18	LW-14060	CLIP, Two wire																			3	3
19	LW-52305-1	KIT ASSY., Magneto ground terminal		2							2				2		2					
	LW-157209	KIT, Magneto ground terminal				2						2								2		
	LW-157208	KIT, Magneto retard terminal				1						1										

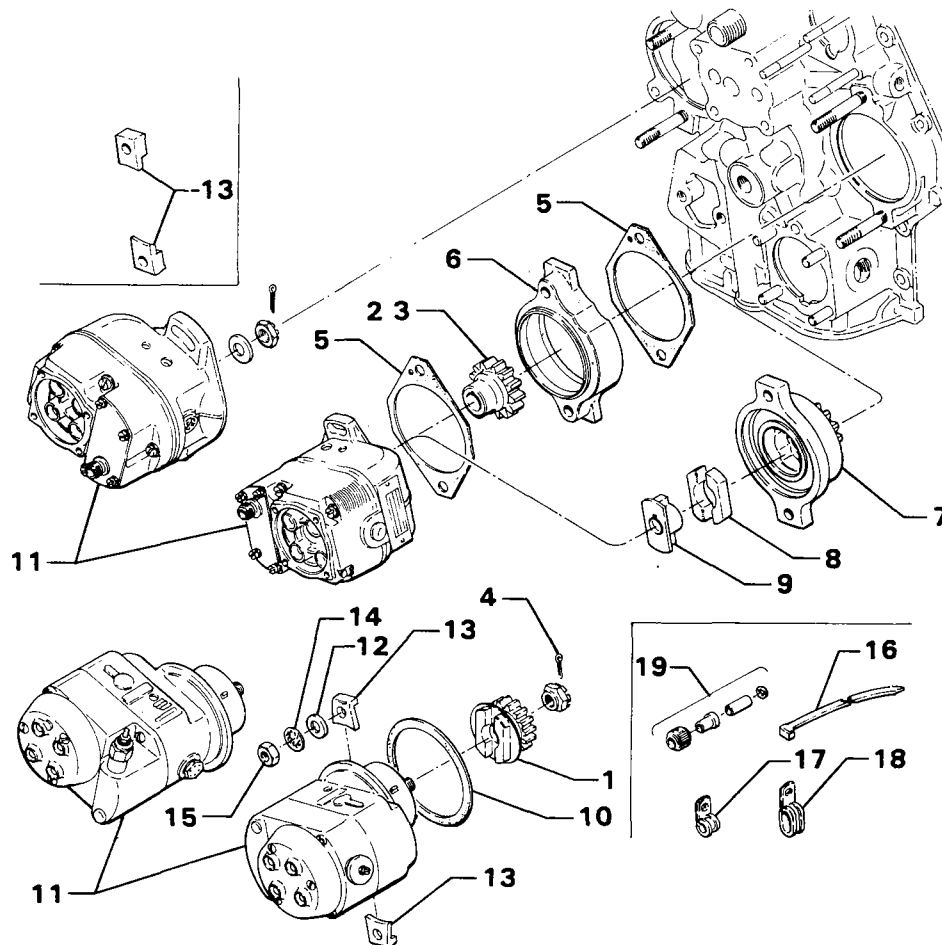


Figure 21.

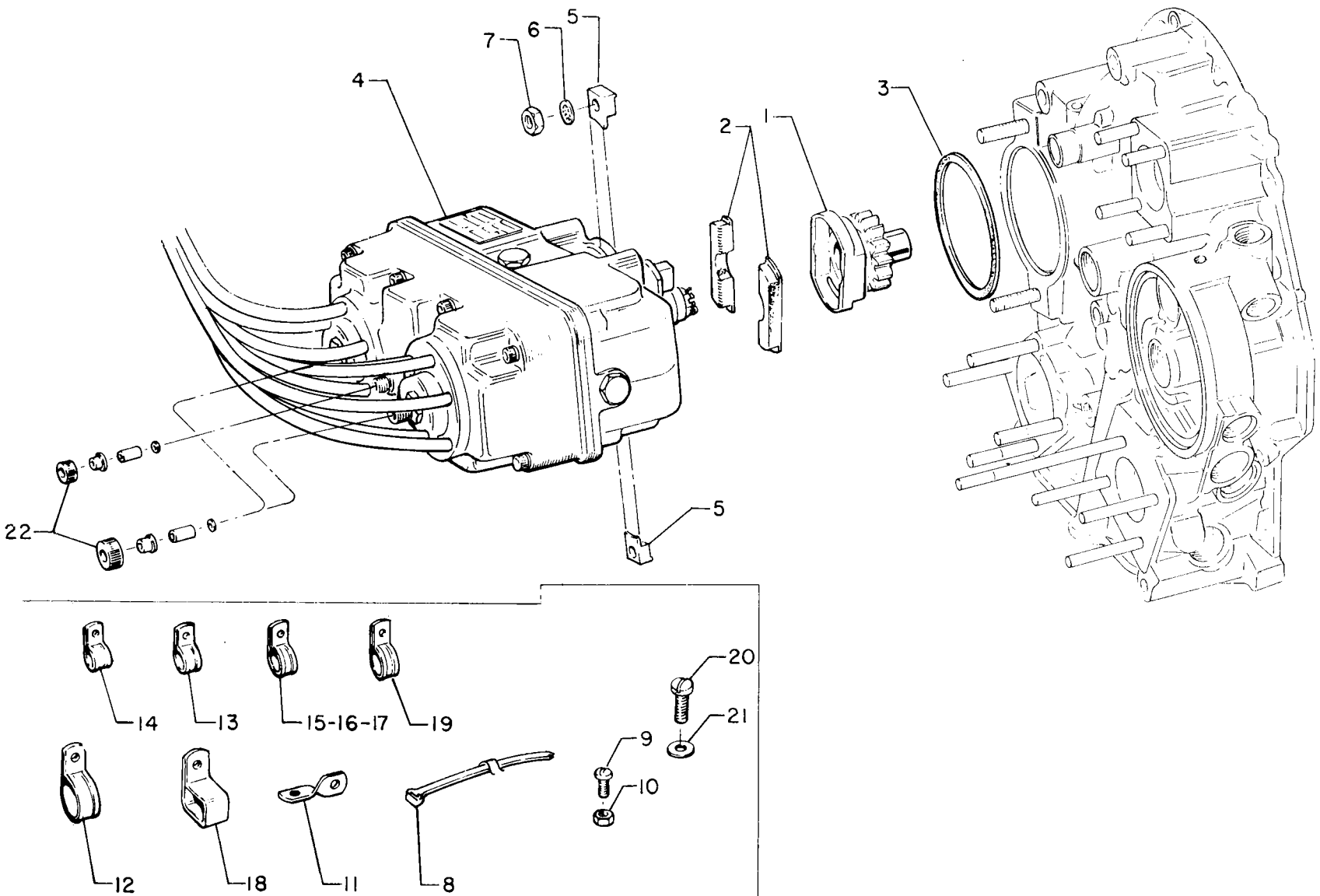


Figure 22 - Magneto Drives and Magnetos (Dual Magnetos)

LYCOMING O-360-A SERIES PARTS CATALOG

WIDE CYLINDER FLANGE CRANKCASE MODEL ENGINES

IGNITION SYSTEM

IGNITION HARNESS AND LEAD ASSEMBLY (AVCO LYCOMING)

FIG. REF.	PART NUMBER	DESCRIPTION	ON ALL	QUANTITY PER ASSEMBLY																				
				A1A	A1AD	A1D	A1F6	A1F6D	A1G6	A1G6D	A1LD	A2A	A2D	A2F	A2G	A2A	A2AD	A3A	A3A	A3G	A3J	A3K	A3M	A3AD
23	1 78539	CABLE ASSY., Ignition, shielded harness		1	1						1	1			1			1						
	78540	CABLE ASSY., Ignition, shielded harness		1														1						
	78542	CABLE ASSY., Ignition, shielded harness		1																				
	78538	CABLE ASSY., Ignition, shielded harness				1																		
	78546	CABLE ASSY., Ignition, shielded harness					1	1					1	1										
	LW-10177	CABLE ASSY., Ignition, shielded harness													1								1	
2	LW-12948	HARNESS ASSY., Ignition shielded																						1
3	LW-10811	TERMINAL, Spark plug wire		8	8	8	8			8	8	8	8	8	8			8	8	8				
4	LW-10814	SPRING, Spark plug terminal		8	8	8	8			8	8	8	8	8	8			8	8	8				
5	LW-10812	COLLAR, (Silicone) spark plug terminal		8	8	8	8			8	8	8	8	8	8			8	8	8				
6	76757	NUT, 5/8-24		8	8	8	8			8	8	8	8	8	8			8	8	8				
7	LW-10389	ELBOW, 70°		8	8					8	8			8				8						
	LW-10389	ELBOW, 70°		6		4	4					4	4							4	4			
8	LW-10388	ELBOW, 110° 2 and 4 bottom		2																				
9	LW-10390	ELBOW, 90° top		4		4	4					4	4							4	4			
10	LW-10389	ELBOW, 70° bottom		4																				
11	76753	SLEEVE, Plastic ring		4	4					4	4			4					4					
12	76754	PLATE, Spark plug cable		2	2	2	2			2	2	2	2	2	2				2	2	2			
13	LW-10400	FERRULE, Braid retaining		16	16	16	16			16	16	16	16	16	16			16	16	16				
14	76728	SLEEVE		8	8	8	8			8	8	8	8	8	8			8	8	8				
15	76852	GROMMET, Magneto		2	2					2	2			2				2		2				
16	LW-11123	SPACER, Magneto grommet				8	8					8	8						8					
17	76648	GROMMET, Mag. outlet distributor				8	8					8	8						8					
18	73245	EYELET		8	8	8	8			8	8	8	8	8	8			8	8	8				
19	75941	TAPE, Ignition, identification		1	1	1	1			1	1	1	1	1	1			1	1	1				
20	76853	MAGNETO PLATE		2	2					2	2			2				2		2				
21	76075	MAGNETO PLATE OUTLET				2	2					2	2						2					
22	76734	ZIP STRAPS				6	6					6	6											
	76734	ZIP STRAPS											8						8	8				
23	72453	CLAMP, 1-3/4 ID with 11/32 dia. offset		4	4					4	4			4				4						
24	68604	CLAMP, Rubber dip (one wire)				2	2					2	2											
	68604	CLAMP, Rubber dip (one wire)											4							4	4			
25	71824	CLAMP, Rubber dip (two wire)				2	2					2	3											
	71824	CLAMP, Rubber dip (two wire)											4							4	4			
26	73050	CLAMP, Rubber dip (four wire)				1	1					1	1											
	73050	CLAMP, Rubber dip (four wire)											5							5	5			
27	STD-553	SCREW, No. 6-32 x 1/2 long, rd. hd.		4	4					4	4			4					4					
28	AN365-632A	NUT, No. 6-32 self-locking		4	4					4	4			4					4					
29	72351	SCREW, No. 10-32 self-locking		8	8					8	8			8					8					
30	61385	CLIP, Ignition cable		2	2					2	2			2					2					
31	STD-8	WASHER, 1/4 plain		2	2	8	8			2	2	8	14	2					2					
	STD-8	WASHER, 1/4 plain											9							9	9			
32	LW-10815	BRACKET, Support clamp, 90° twist											2						2	2				
33	72815	BRACKET, Twist											2											
	72815	BRACKET, Twist											3							3	3			
34	73152	BRACKET, Straight											2							2	2			
35	STD-692	SCREW, No. 10-32 round hd.											2											
	STD-692	SCREW, No. 10-32 round hd.											7							7	7			
36	STD-425	WASHER, No. 10 plain											2											
	STD-425	WASHER, No. 10 plain											7							7	7			
37	STD-670	ELASTIC STOP NUT, No. 10-32											2											
	STD-670	ELASTIC STOP NUT, No. 10-32											7							7	7			
38	STD-160	WASHER, 1/4 lock, internal teeth		2	2	4	4			2	2	4	1	2					2	1	1			
39	AN500-416-18	SCREW, 1/4-20 x 1-1/8 long, fill. hd.		1	1					1	1		1	1					1	1	1			
	AN500-416-10	SCREW, 1/4-20 x 5/8 long											1											
40	STD-1215	BOLT, 1/4-20 x 1-1/4 long		1	1					1	1		1	1					1					

LYCOMING O-360-A SERIES PARTS CATALOG

WIDE CYLINDER FLANGE CRANKCASE MODEL ENGINES

IGNITION SYSTEM

IGNITION HARNESS AND LEAD ASSEMBLY (AVCO LYCOMING)

FIG. REF.	PART NUMBER	DESCRIPTION	ON ALL	QUANTITY PER ASSEMBLY																				
				A1A	A1AD	A1D	A1E6	A1E6D	A1G6	A1G6D	A1LD	A1A	A2D	A2F	A2G	A3A	A3AD	A4A	A4G	A4J	A4K	A4M	A5AD	
41	STD-1411	NUT, 1/4-20 plain			2	2								2	2	1	2	2	1	1				
42	STD-1874	SCREW, 1/4-20 self-locking						4	4					4	4				4	4				
43	STD-696	WASHER, 1/4 plain (thin)		un	un	un	un						un	un	un	un			un	un	un			
44	STD-1925	SCREW, 1/4-20 x 5/8 long, self-locking														3				3	3			
*	76923-48S70-63	LEAD ASSY., Replacement (78538 and 78539 harnesses)		un	un									un	un		un							
*	76923-48S90-63	LEAD ASSY., Replacement, top leads (78540 harness)		un																un				
*	76923-48S70-63	LEAD ASSY., Replacement, bottom leads (78540 harness)		un																un				
*	76923-48S70-63	LEAD ASSY., Replacement, top leads, no. 1 and no. 3 bottom leads (78542 harness)		un																				
*	76923-48S110-63	LEAD ASSY., Replacement, no. 2 and no. 4 bottom leads (78542 harness)		un																				
*	76923-72S90-63	LEAD ASSY., Replacement, no. 1 and no. 2 top leads (78546 harness)					un	un					un	un										
*	76923-48S90-63	LEAD ASSY., Replacement, no. 3 and no. 4 top leads (78546 harness)					un	un					un	un										
*	76923-48S70-63	LEAD ASSY., Replacement, bottom leads (78546 harness)					un	un					un	un										
*	76923-72S90-63	LEAD ASSY., Replacement, top leads (LW-10177 and LW-12948 harnesses)												un						un	un			
*	76923-48S70-63	LEAD ASSY., Replacement, bottom leads (LW-10177 and LW-12948 harnesses)													un					un	un			

* Replacement lead assemblies have spark plug terminal end and are supplied with necessary parts to complete magneto end assembly after being cut to proper length.

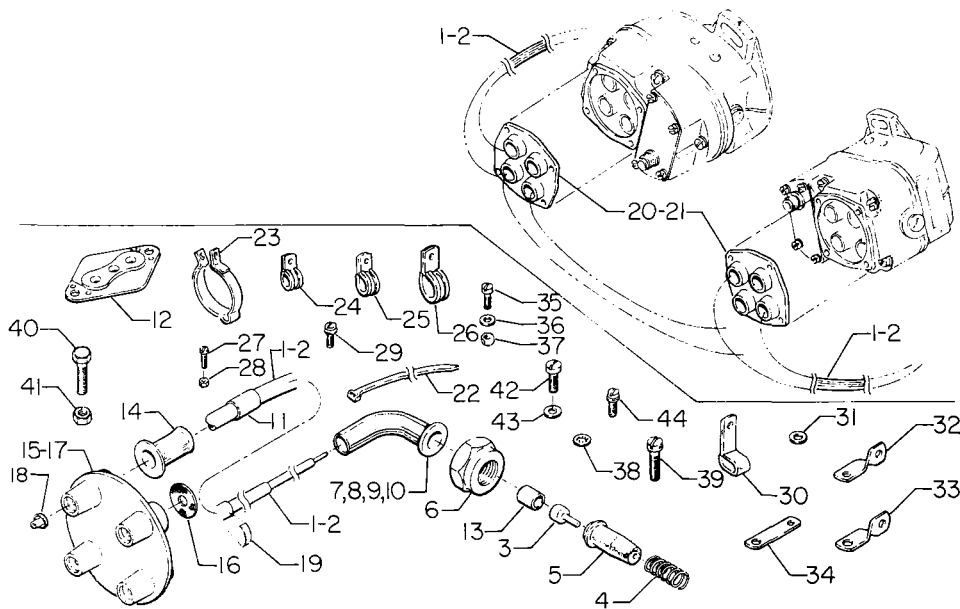


Figure 23.

LYCOMING O-360-A SERIES PARTS CATALOG

WIDE CYLINDER FLANGE CRANKCASE MODEL ENGINES

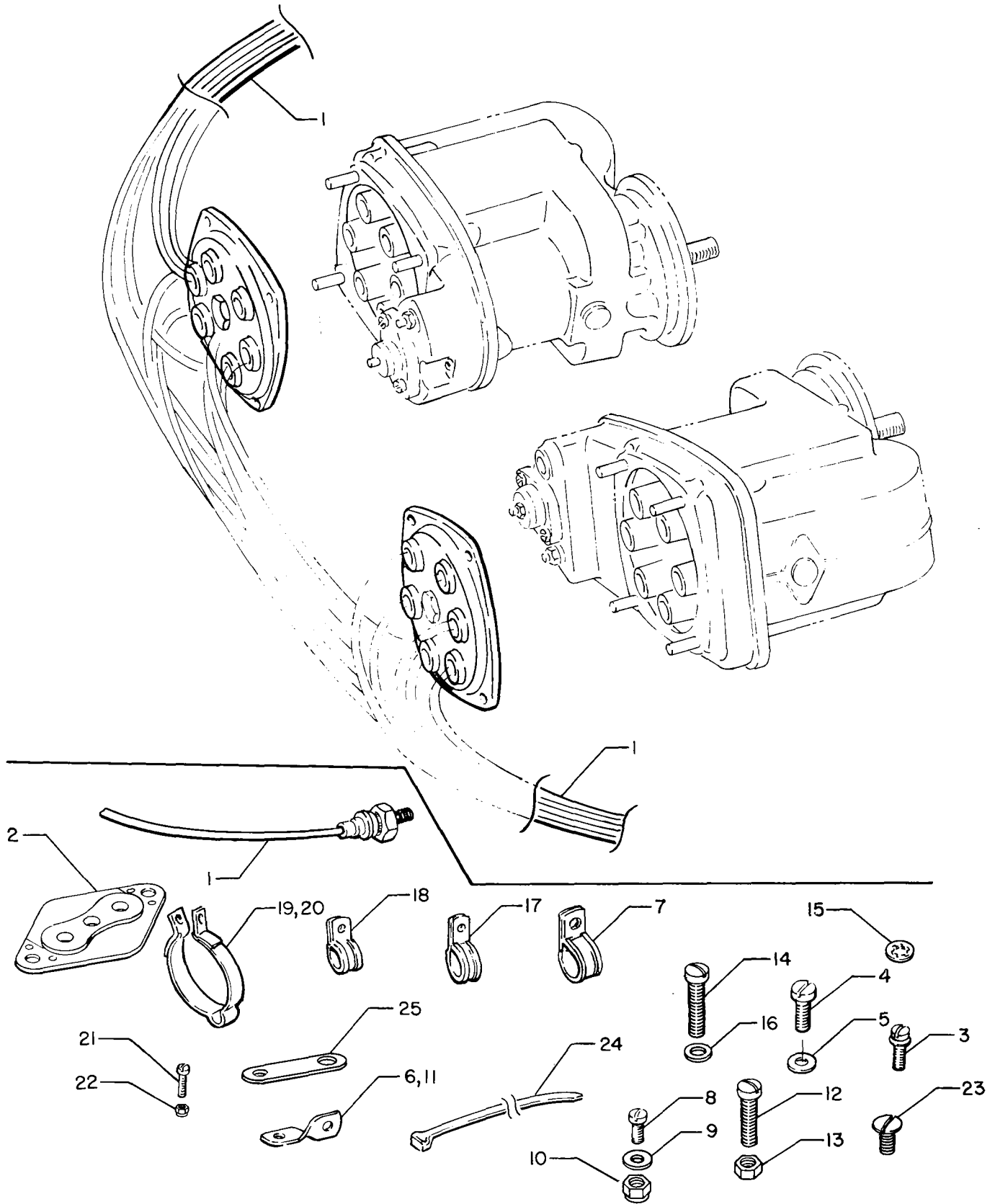


Figure 24 - Ignition Harness and Lead Assembly (Slick and Scintilla)

Intentionally Left Blank

LYCOMING O-360-A SERIES PARTS CATALOG

WIDE CYLINDER FLANGE CRANKCASE MODEL ENGINES

ELECTRICAL COMPONENTS

VOLTAGE REGULATORS, RELAYS, ALTERNATOR AND GENERATOR DRIVE BELTS

FIG. REF.	PART NUMBER	DESCRIPTION	ON ALL	QUANTITY PER ASSEMBLY															
				A1A	A1D	A1F	A1G	A1H	A1J	A1K	A1L	A1M	A1N	A1P	A1Q	A1R	A1S	A1T	
1	72205	REGULATOR, Voltage (12V-20 Amp.)																	
	62833	REGULATOR, Voltage (12V-35 Amp.)			1	1													
	71745	REGULATOR, Voltage (12V-50 Amp.)			1	1													
	68626	REGULATOR, Voltage (12V-35 Amp.)																	
		(paralleling)			1														
	72077	REGULATOR, Voltage (12V-50 Amp.)																	
		(paralleling)			1	1													
	68872	REGULATOR, Voltage (24V-25 Amp.)				1													
	72311	REGULATOR, Voltage (24V-40 Amp.)			1														
	73340	REGULATOR, Voltage (24V-50 Amp.)				1													
	74292	REGULATOR, 24 volt, full transistor voltage			1														
	74291	REGULATOR, 12 volt, full transistor voltage			1														
	LW-10185	REGULATOR, 12 volt (full transistor)			1	1	1		1	1	1	1	1	1	1		1		
	LW-10179	REGULATOR, 24 volt (full transistor)				1								1	1				
	2	68628	RELAY, 12 volt (paralleling) (1 required each pair of engines)		un	un													
74804		RELAY, Overvoltage, 24 volt		1															
74661		RELAY, Overvoltage, 12 volt		1							1								
78059		RELAY, Overvoltage, 12 volt		1			1	1	1			1	1	1					
78060		RELAY, Overvoltage, 24 volt			1									1					
3	60886	BELT, Generator drive		1	1				1	1			1						
	71579	BELT, Generator drive				1							1						
	72000	BELT, Generator drive		1									1						
	76026	BELT, Alternator drive (3/8 wide)		1	1	1	1	1		1	1	1	1	1	1		1		

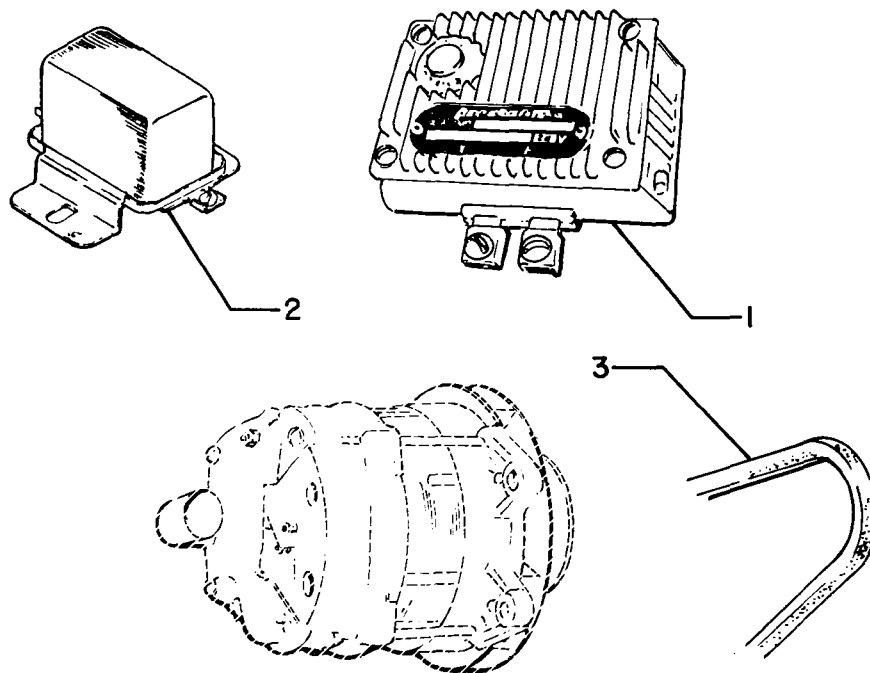


Figure 26.

LYCOMING O-360-A SERIES PARTS CATALOG

WIDE CYLINDER FLANGE CRANKCASE MODEL ENGINES

ELECTRICAL COMPONENTS

GENERATOR MOUNTING AND ATTACHING PARTS

FIG. REF.	PART NUMBER	DESCRIPTION	ON ALL	QUANTITY PER ASSEMBLY																		
				A1A	A1AD	A1D	A1F5	A1G6D	A1G6	A1LD	A2A	A2D	A2F	A2G	A3A	A3AD	A4A	A4G	A4J	A4K	A4M	A5AD
1	70419	BRACKET, Generator			2	2					2	2		2								
2	73383	LOCKPLATE, 5/16 bolt x 1.00 spacing			2	2					2	2		2								
3	STD-1838	BOLT, 5/16-18 x 15/16 long, hex hd.			4	4				4	4		4									
4	76028	LINK, Generator adjusting			1	1				1	1		1									
5	STD-35	WASHER, 5/16 plain			1	1				1	1		1									
6	STD-1817	BOLT, 5/16-18 x 3/4 long, hex hd. dr.			1	1				1	1		1									
7	STD-1727	WASHER, Plain, 3/4 OD x 11/32 ID x 1/8 thick			1	1				1	1		1									
8	STD-1817	BOLT, 5/16-18 x 3/4 long, hex hd. dr.			1	1				1	1		1									
9	77718	STRUT, Generator support			1	1							1									
10	STD-1817	BOLT, 5/16-18 x 3/4 long, hex hd. dr.			1	1							1									
11	STD-1851	BOLT, 5/16-18 x 1-5/32 long, dr. end			2	2				2	2		2									
	STD-2033	BOLT, 5/16-18 x 1-9/32 long, dr. end			1	1							1									
12	STD-35	WASHER, 5/16 plain			un	un				un	un		un									
13	STD-1420	NUT, 5/16-18 slotted			2	2				2	2		2									
14	STD-68	PIN, 1/16 dia. x 1/2 long, cotter			2	2				2	2		2									

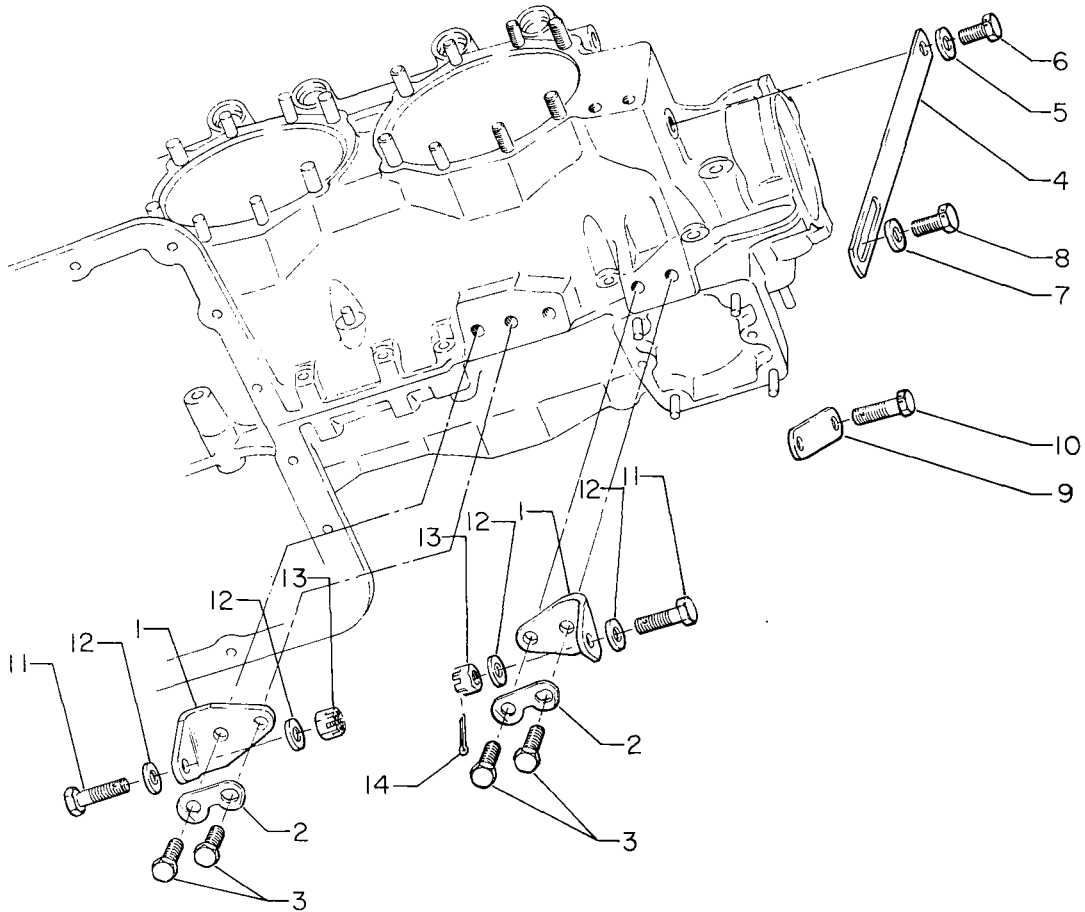


Figure 27.

LYCOMING O-360-A SERIES PARTS CATALOG

WIDE CYLINDER FLANGE CRANKCASE MODEL ENGINES

ELECTRICAL COMPONENTS

ALTERNATOR MOUNTING AND ATTACHING PARTS

FIG. REF.	PART NUMBER	DESCRIPTION	ON ALL	QUANTITY PER ASSEMBLY																				
				A1A	A1AD	A1D	A1F6	A1F6D	A1G6	A1G6D	A1LD	A2A	A2D	A2F	A2G	A3A	A3AD	A4A	A4G	A4J	A4K	A4M	A5AD	
1	74324	BRACKET, Alternator			1	1								1										
	LW-13039	BRACKET, Alternator			1	1	1	1	1	1	1	1	1	1	1	1	1	1	1	1	1	1	1	
	76906	BRACKET, Alternator					1	1					1	1				1	1	1				
2	73383	LOCKPLATE, 5/16 bolt x 1.00 spacing			1	1	1	1	1	1	1	1	1	1	1	1	1	1	1	1	1	1	1	1
3	STD-1838	BOLT, 5/16-18 x 15/16 long, hex hd.			2	2	2	2	2	2	2	2	2	2	2	2	2	2	2	2	2	2	2	2
4	74325	LINK, Alternator adjusting			1									1										
	75380	LINK, Alternator adjusting			1	1	1	1	1	1	1	1	1	1	1	1	1	1	1	1	1	1	1	1
	LW-10729	LINK, Alternator adjusting					1	1					1	1				1	1	1				
	LW-11955	LINK, Alternator adjusting												1										
	76028	LINK, Alternator adjusting				1																		
	LW-13365	BRACE, Alternator bracket																				1	1	
5	STD-425	WASHER, 5/16 lock, internal teeth																				1	1	
6	STD-1838	BOLT, 5/16-18 x 15/16 long, hex hd.																				3	3	
7	STD-35	WASHER, 5/16 plain			1	1	1	1	1	1	1	1	1	1	1	1	1	1	1	1	1	1	1	1
8	STD-1817	BOLT, 5/16-18 x 3/4 long, hex hd. dr.			1	1	1	1	1	1	1	1	1	1	1	1	1	1	1	1	1	1	1	1
	STD-1858	BOLT, 5/16-18 x 29/32 long, hex hd. dr.					1	1					1	1				1	1	1				
9	STD-1727	WASHER, Plain, 3/4 OD x 11/32 ID x 1/8 thick			1	1	1	1	1	1	1	1	1	1	1	1	1	1	1	1	1	1	1	1
10	STD-1817	BOLT, 5/16-18 x 3/4 long, hex hd. dr.			1	1	1	1	1	1	1	1	1	1	1	1	1	1	1	1	1	1	1	1
11	74323	STRUT, Alternator support			1	1	1	1	1	1	1	1	1	1	1	1	1	1	1	1	1	1	1	1
	76908	STRUT, Alternator support					1	1					1	1				1	1	1				
12	STD-1817	BOLT, 5/16-18 x 3/4 long, hex hd. dr.			1	1	1	1	1	1	1	1	1	1	1	1	1	1	1	1	1	1	1	1
	STD-1858	BOLT, 5/16-18 x 29/32 long, hex hd. dr.					1	1					1	1				1	1	1				
13	STD-690	WASHER, 13/16 OD x 25/64 ID x 1/16 thick			1	1	1	1	1	1	1	1	1	1	1	1	1	1	1	1	1	1	1	1
14	AN6-32	BOLT, 3/8-24 x 3-21/64 long, hex hd. dr. end			1	1							1											
	AN6-14	BOLT, 3/8-24 x 1-37/64 long, hex hd. dr. end			1	1	1	1	1	1	1	1	1	1	1	1	1	1	1	1	1	1	1	1
15	STD-690	WASHER, 13/16 OD x 25/64 ID x 1/16 thick			un	un	un	un	un	un	un	un	un	un	un	un	un	un	un	un	un	un	un	un
16	STD-872	NUT, 3/8-24 slotted			1	1	1	1	1	1	1	1	1	1	1	1	1	1	1	1	1	1	1	1
17	STD-713	PIN, Cotter, 3/32 dia. x 3/4 long			1	1	1	1	1	1	1	1	1	1	1	1	1	1	1	1	1	1	1	1
18	AN6-13	BOLT, 3/8-24 x 1-29/64 long, hex hd. dr. end			1	1	1	1	1	1	1	1	1	1	1	1	1	1	1	1	1	1	1	1
	AN6-16	BOLT, 3/8-24 x 1-53/64 long, hex hd. dr. end			1	1		1	1	1					1	1						1		
19	76534	SHIM, 1-1/8 OD x 13/32 ID x .005 thick			un	un	un	un	un	un	un	un	un	un	un	un	un	un	un	un	un	un	un	un
20	STD-690	WASHER, 13/16 OD x 25/64 ID x 1/16 thick			un	un	un	un	un	un	un	un	un	un	un	un	un	un	un	un	un	un	un	un
21	STD-872	NUT, 3/8-24 slotted			1	1	1	1	1	1	1	1	1	1	1	1	1	1	1	1	1	1	1	1
22	STD-713	PIN, Cotter, 3/32 dia. x 3/4 long			1	1	1	1	1	1	1	1	1	1	1	1	1	1	1	1	1	1	1	1

LYCOMING O-360-A SERIES PARTS CATALOG

WIDE CYLINDER FLANGE CRANKCASE MODEL ENGINES

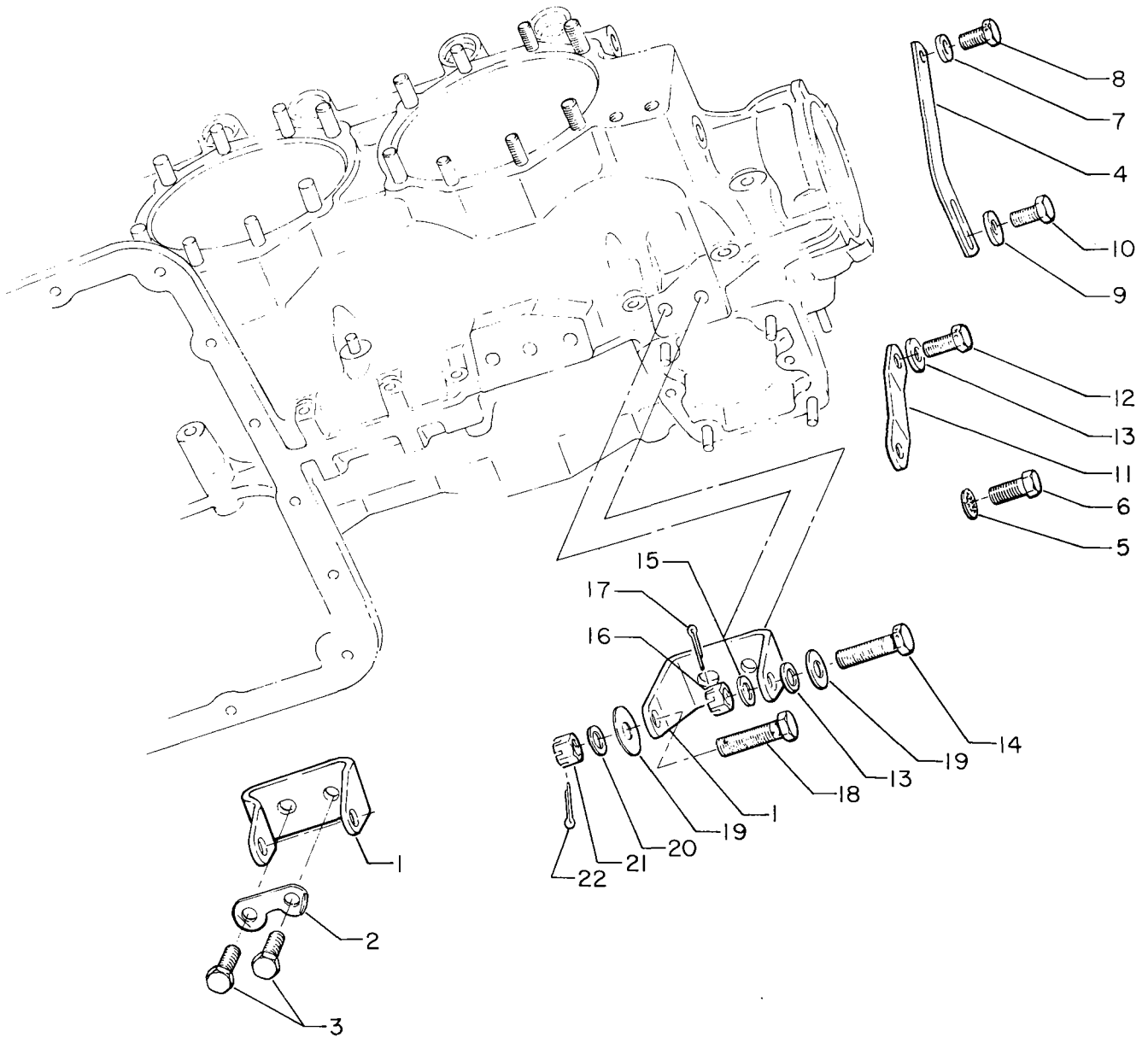


Figure 28 - Alternator Mounting and Attaching Parts

LYCOMING O-360-A SERIES PARTS CATALOG

WIDE CYLINDER FLANGE CRANKCASE MODEL ENGINES

ELECTRICAL COMPONENTS

GENERATOR AND ALTERNATOR ASSEMBLY

FIG. REF.	PART NUMBER	DESCRIPTION	ON ALL	QUANTITY PER ASSEMBLY																
				A1A	A1AD	A1D	A1F6	A1G6D	A1G6D	A1LD	A2A	A2D	A2F	A2G	A3AD	AAA	AAJ	AAK	AAM	A5AD
1	68764	GENERATOR, 12V-20 Amp. (1101899)																		
	68767	GENERATOR, 12V-35 Amp. (1101900)								1										
	71744	GENERATOR, 12V-50 Amp. (1101915)		1										1						
	68871	GENERATOR, 24V-25 Amp. (1101905)				1														
	71980	GENERATOR, 24V-40 Amp. (1105052)		1																
	72695	GENERATOR, 24V-50 Amp. (1105055)				1												1		
2	75220	ALTERNATOR ASSY., 24V-50 Amp. (3.25:1 ratio)																		
	74816	ALTERNATOR, 24V-50 Amp. (1100718)				1														
	74863	PULLEY, Alternator (3.25:1 ratio)				1														
	74878	FAN AND BAFFLE ASSY., Alternator				1														
	74880	ALTERNATOR ASSY., 12V-70 Amp. (3.25:1 ratio)																		
	74319	ALTERNATOR, 12V-70 Amp. (1100717)				1									1					
	74863	PULLEY, Alternator (3.25:1 ratio)				1														
	74878	FAN AND BAFFLE ASSY., Alternator				1														
	78308	ALTERNATOR, 12V-40 Amp., externally grounded (ALE-8406)		1																
	LW-14351	ALTERNATOR ASSY., 12V-60 Amp. (3.25:1 ratio)																		
	LW-14313	ALTERNATOR, 12V-60 Amp. (ALY-8403-LS, ALY-8420-LS)																		
	LW-10512	PULLEY, Alternator																		
	LW-14316	ALTERNATOR, 12V-70 Amp., externally grounded (ALX-8421)																		
	LW-14319	ALTERNATOR, 24V-50 Amp., externally grounded (ALT-8421)																		
	LW-14324	ALTERNATOR, 24V-70 Amp., externally grounded (ALU-8421)																		
	78403	ALTERNATOR, 12V-50 Amp., externally grounded, 3.25:1 ratio (ALZ-8401)																		
	LW-14308	ALTERNATOR, 12V-60 Amp., externally grounded, 3.25:1 ratio (ALY-8420)																		
	76496	ALTERNATOR, 12V-40 Amp., externally grounded, 3.25:1 ratio (ALE-8105A)																		

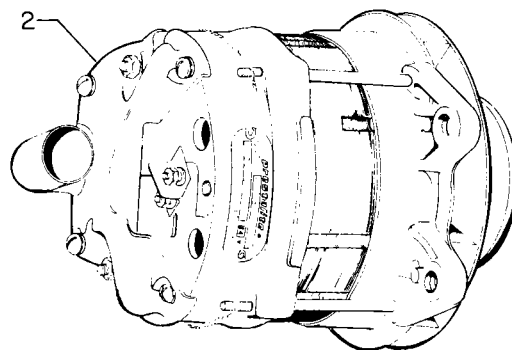
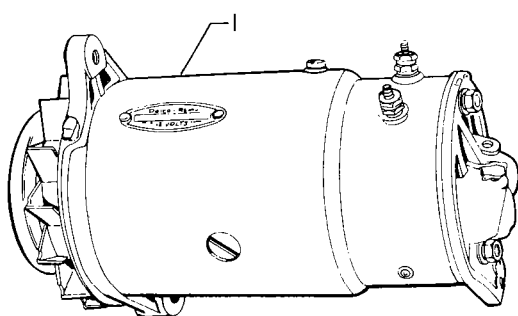


Figure 29.

LYCOMING O-360-A SERIES PARTS CATALOG

WIDE CYLINDER FLANGE CRANKCASE MODEL ENGINES

ELECTRICAL COMPONENTS

STARTER MOTOR AND ATTACHING PARTS

FIG. REF.	PART NUMBER	DESCRIPTION	ON ALL	QUANTITY PER ASSEMBLY																			
				A1A	A1AD	A1D	A1FD	A1G	A1GD	A1D	A2A	A2D	A2F	A2G	A3A	A3AD	AAA	AAG	AAL	AAK	AAAM	ASAD	
1	LW-15571	STARTER, 12 volt, 3.38:1 internal reduction 12/14 pitch pinion (MZ-4222)			1		1	1	1	1	1	1	1	1	1	1	1	1	1	1	1	1	1
	LW-14215	STARTER, 12 volt, 3.38:1 internal reduction 12/14 pitch pinion (MZ-4220)					1																
	LW-14214	STARTER, 24 volt, 3.38:1 internal reduction 12/14 pitch pinion (MHB-4014)														1							
	LW-15572	STARTER, 24 volt, 3.38:1 internal reduction 12/14 pitch pinion (MHB-4016)			1	1	1		1	1					1	1						1	
2	STD-35	WASHER, 5/16 plain	4																				
3	STD-475	WASHER, 5/16 lock, internal teeth	4																				
4	STD-2156	BOLT, 5/16-18 x 1-5/32 long, hex hd.	1																				
5	STD-1410	NUT, 5/16-18 plain	3																				
6	LW-12083	SWITCH, Magnetic (SAZ-4201E-1) 12V			1		1		1	1	1	1	1	1	1	1	1	1	1	1		1	
	LW-12085	SWITCH, Magnetic (SAZ-4401C-1) 24V			1	1	1								1	1							

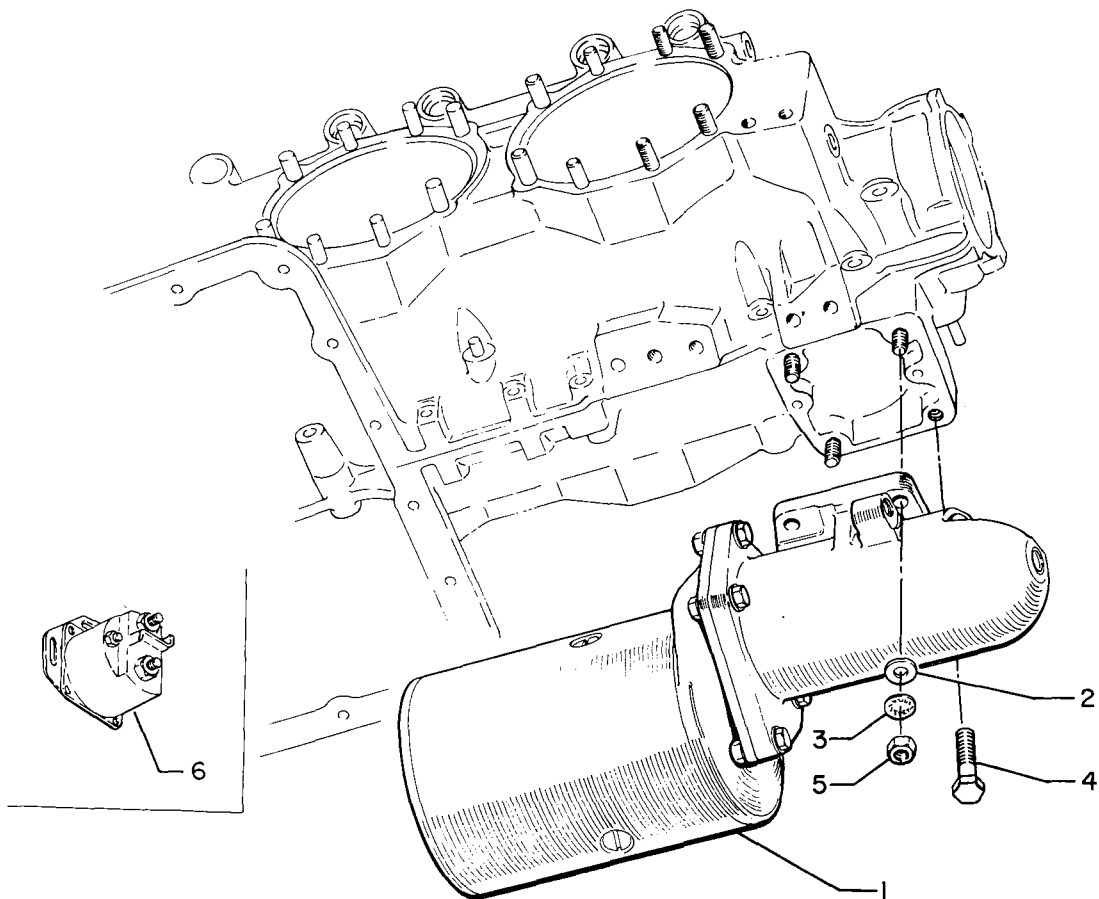


Figure 30.

LYCOMING O-360-A SERIES PARTS CATALOG

WIDE CYLINDER FLANGE CRANKCASE MODEL ENGINES

OIL SUMP AND INDUCTION SYSTEM

OIL SUMP ASSEMBLY AND OIL SUCTION SCREEN

FIG. REF.	PART NUMBER	DESCRIPTION	ON ALL	QUANTITY PER ASSEMBLY																					
				A1A	A1AD	A1D	A1F6	A1G6D	A1G6	A1G6D	A1D	A2A	A2D	A2F	A2G	A2AD	A3A	A3AD	A4A	A4G	A4J	A4K	A4M	A5AD	
31																									
1	LW-13353	GASKET, Oil sump	1																						
2	78915	SUMP ASSY., Oil			1	1	1	1	1			1	1	1	1	1	1	1					1	1	
	77159	SUMP ASSY., Oil																				1	1	1	
3	78914	CONNECTION, Intake pipe			4	4	4	4	4			4	4	4	4	4	4	4					4	4	
	69602	CONNECTION, Intake pipe													4							4	4	4	
4	61400	STUD, 1/4-20 x 1-3/16 long	4																						
5	31C-15	STUD, 5/16-18 x 1-7/8 long			4	4	4	4	4			4	4	4	4	4	4	4					4	4	
6	31C-14	STUD, 5/16-18 x 1-3/4 long										4	4		4							4	4	4	
7	STD-91	PLUG, 1/2-14 NPT, Allen hd.			1	1	1	1	1			1	1	1	1	1	1	1					1	1	
8	1102	PLUG, 1/8-27 NPT, Allen hd.										2	2									2	2	2	
9	STD-551	PLUG, 1/2-14 NPT, Sq. hd. drilled	2																						
10	STD-8	WASHER, 1/4 plain	28																						
11	STD-160	WASHER, 1/4 lock, internal teeth	20																						
12	STD-1204	BOLT, 1/4-20 x 15/16 long, hex hd.			14	14	14	14	14	8	8	14	14	14	14	8	14	14	14	8	8	8	14	14	
13	STD-1419	BOLT, 1/4-20 x 1-1/8 long, hex hd.	2																						
14	STD-1411	NUT, 1/4-20 plain			12	12	12	12	12	18	18	12	12	12	12	18	12	12	12	18	18	18	18	12	12
15	70484	SCREEN, Oil suction	1																						
16	STD-111	GASKET, 1.00 ID x 1-1/4 OD x 3/32 annular	1																						
17	LW-12545	PLUG, 5/8 hex hd. x 1.00-20 thd.	1																						
18	61548	NAMEPLATE	1																						
19	STD-1901	DRIVE STUD, No. 4 x 3/16 long, rd. hd.	4																						

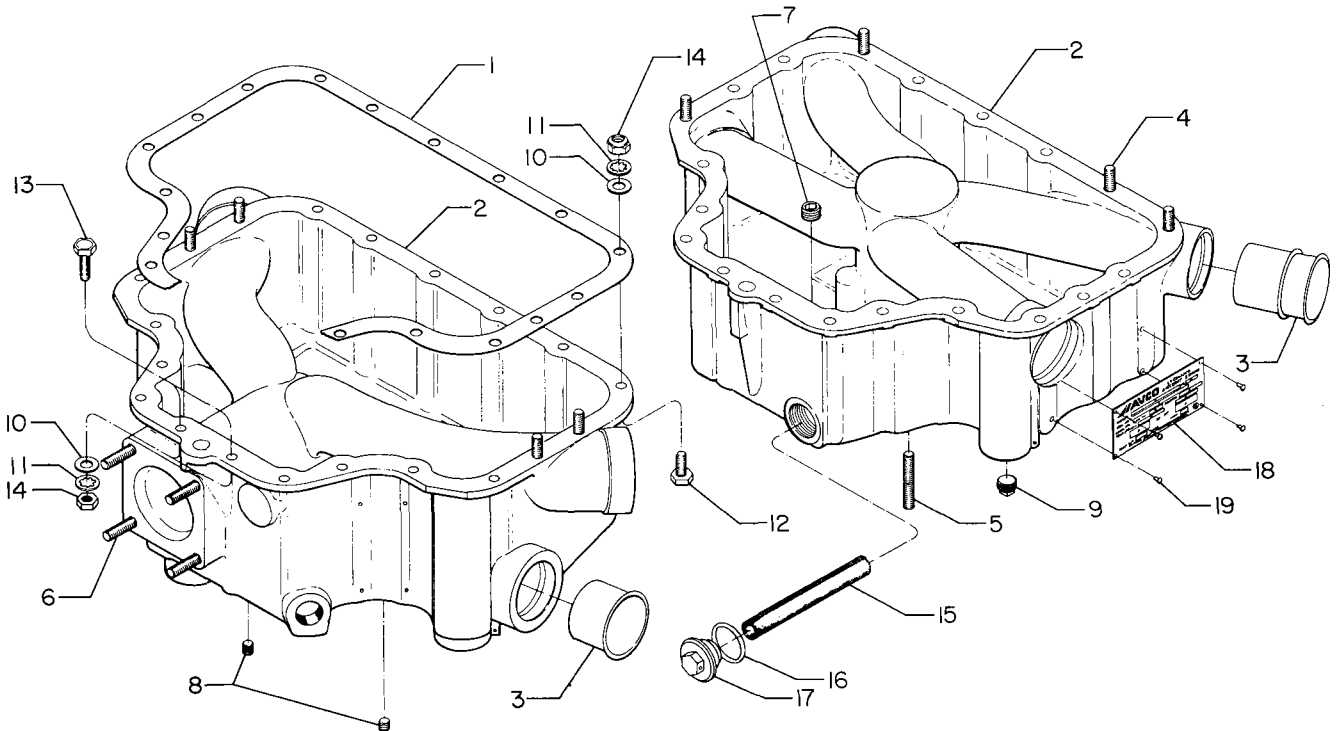


Figure 31.

LYCOMING O-360-A SERIES PARTS CATALOG

WIDE CYLINDER FLANGE CRANKCASE MODEL ENGINES

OIL SUMP AND INDUCTION SYSTEM

INTAKE PIPE ASSEMBLY

FIG. REF.	PART NUMBER	DESCRIPTION	ON ALL	QUANTITY PER ASSEMBLY																			
				A1A	A1AD	A1D	A1F6	A1F6D	A1G6	A1G6D	A1LD	A2A	A2D	A2F	A2G	A3A	A3AD	A4A	A4G	A4J	A4K	A4M	A5AD
1	70485	PIPE, Intake			4	4	4	4	4														
2	71712	PIPE, Intake, cyls. no. 1 and 2							2	2				2					2	2	2		
3	71713	PIPE, Intake, cyls. no. 3 and 4							2	2				2					2	2	2		
4	69603	HOSE, 1-3/4 ID x 2-3/16 OD x 1-3/4 long	4																				
5	LW-15592-8-28	CLAMP, Hose	8																				
6	71973	GASKET, 2 bolt flange, 1-7/8 ID	4																				
7	73346	FLANGE, Intake pipe, upper	4																				
8	STD-8	WASHER, 1/4 plain	8																				
9	STD-160	WASHER, 1/4 lock, internal teeth	8																				
10	STD-1215	BOLT, 1/4-20 x 1-1/4 long, hex hd.	8																				
11	74139	ADAPTER ASSY., Fuel drain valve												2									
	75444	ADAPTER ASSY., Fuel drain valve												2					2	2	2		
12	1102	PLUG, 1/8-27 NPT, Allen (assemble in fuel drain bosses in sump)							2	2												2	

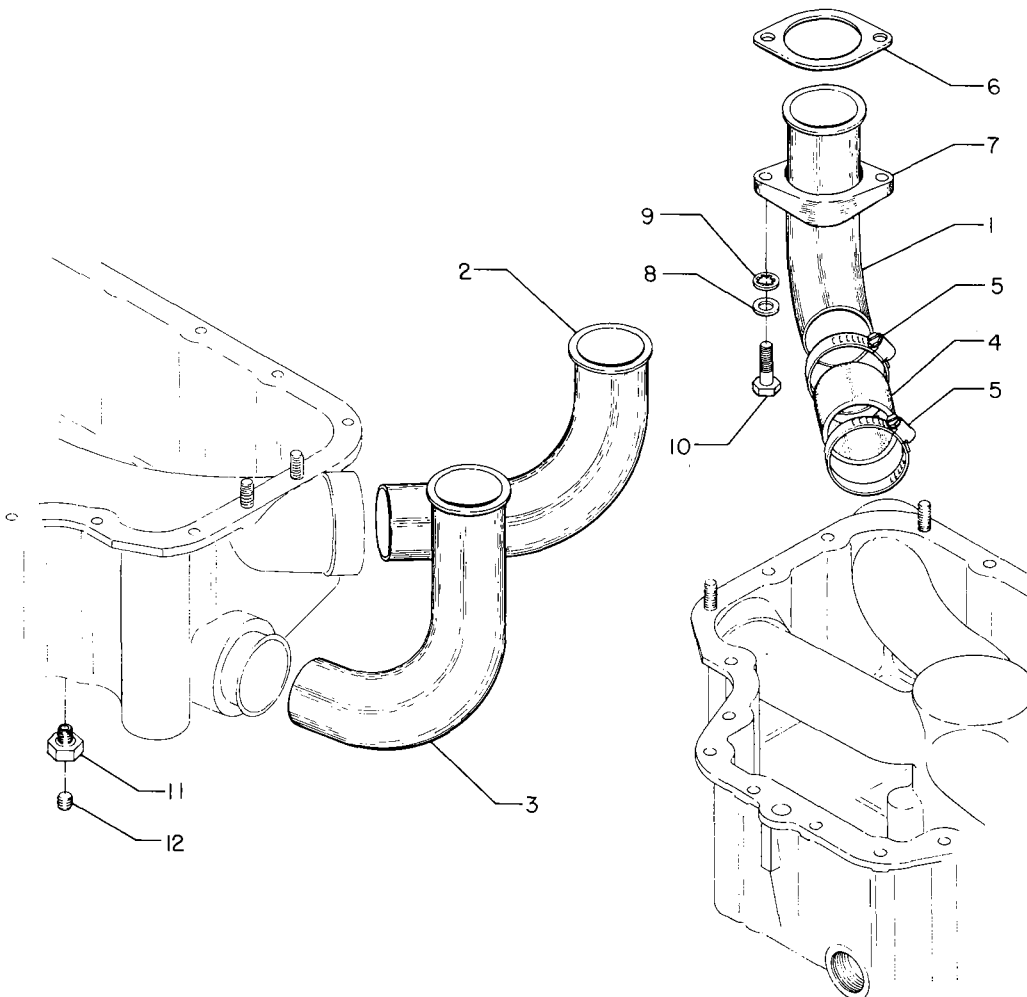


Figure 32.

LYCOMING O-360-A SERIES PARTS CATALOG

WIDE CYLINDER FLANGE CRANKCASE MODEL ENGINES

OIL SUMP AND INDUCTION SYSTEM

CARBURETOR ASSEMBLY

FIG. REF.	PART NUMBER	DESCRIPTION	ON ALL	QUANTITY PER ASSEMBLY																				
				A1A	A1AD	A1D	A1EG	A1F6D	A1G6	A1G6D	A1LD	A2A	A2D	A2F	A2G	A3A	A3AD	AAA	AAG	AAJ	AAK	AAK	AAK	ASAD
1	66224	GASKET, Carburetor			1	1	1	1	1			1	1	1	1	1	1	1					1	1
2	77154	GASKET, Carburetor								1	1				1				1	1	1			
3	71098	CARBURETOR (10-3878)			1	1	1				1	1		1	1	1						1	1	
4	71710	CARBURETOR (10-4164-1)			1	1					1	1	1	1	1	1								
5	LW-10064	CARBURETOR (10-5034)					1	1					1											
6	LW-15957	CARBURETOR, Marvel-Schebler HA-6 (10-5219)							1					1					1	1	1			
7	LW-15380	CARBURETOR (10-5193)																					1	
8	LW-15959	CARBURETOR, Marvel-Schebler HA-6 (10-5230)							1															
9	STD-35	WASHER, 5/16 plain	4																					
10	STD-1410	NUT, 5/16-18 plain	4																					
11	STD-1763	LOCKNUT, 5/16 palnut	4																					
12	74070	ELBOW, 3/8 tubing, adjustable, 45° (assemble in fuel pump inlet)							1	1				1					1	1	1			
13	72377	ELBOW, 3/8 tubing, adjustable, 90° (assemble in fuel pump inlet)																					1	

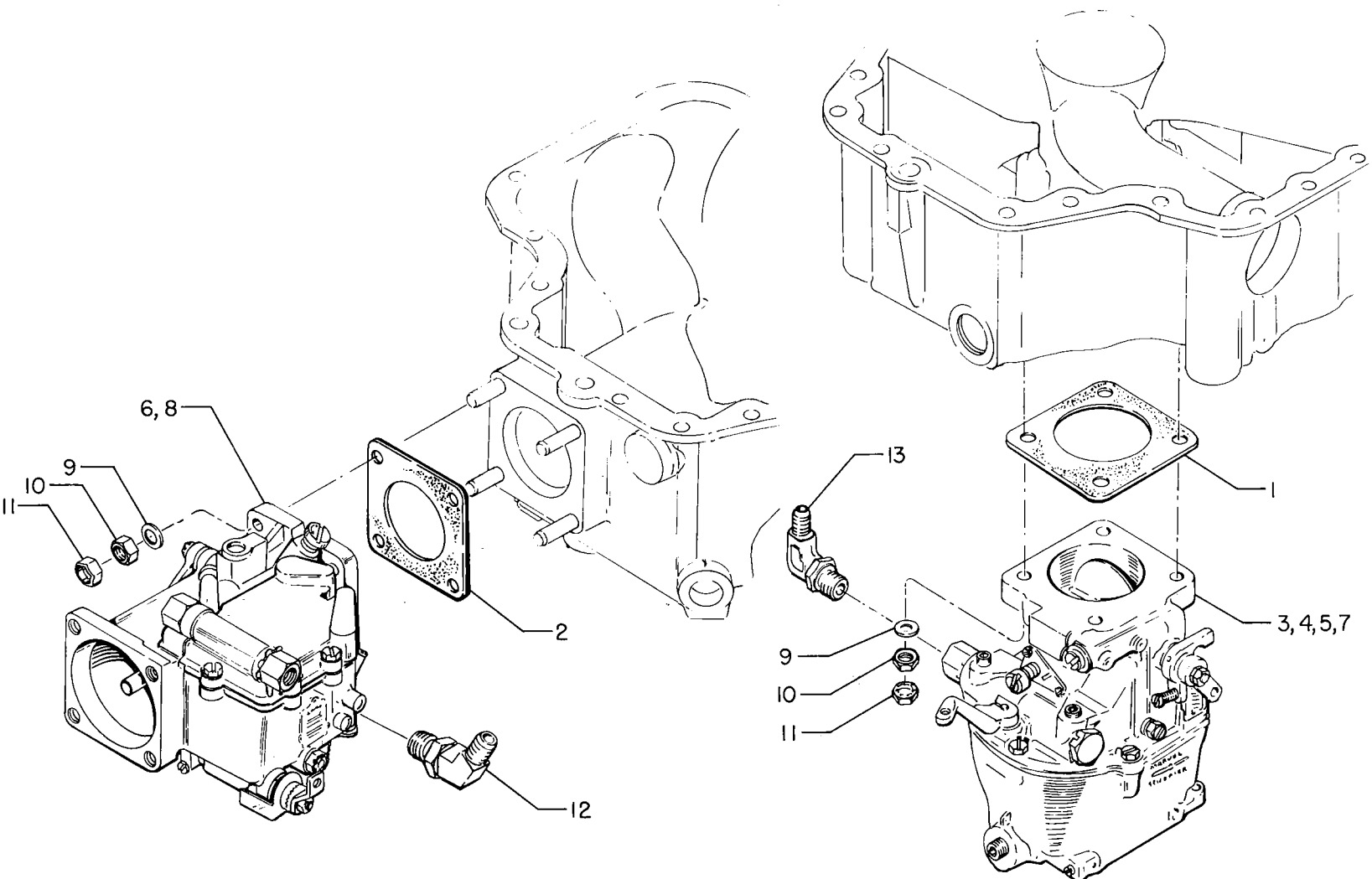


Figure 33 - Carburetor Assembly
6-4

LYCOMING O-360-A SERIES PARTS CATALOG

WIDE CYLINDER FLANGE CRANKCASE MODEL ENGINES

OIL SUMP AND INDUCTION SYSTEM

PRIMING SYSTEM

FIG. REF.	PART NUMBER	DESCRIPTION	ON ALL	QUANTITY PER ASSEMBLY																		
				A1A	A1AD	A1D	A1F6	A1F6D	A1G6	A1G6D	A1LD	A2A	A2D	A2F	A2G	A3A	A3AD	A4A	A4G	A4J	A4K	A4M
1	LW-12098-1-284	TUBE ASSY., Primer, cyl. no. 1			1	1	1	1	1	1	1	1	1	1	1	1						1
	61581-25	TUBE ASSY., Primer, 26-1/8 long, cyl. no. 1												1			1					
2	LW-12098-1-170	TUBE ASSY., Primer, cyl. no. 1						1						1								
	LW-12098-1-170	TUBE ASSY., Primer, cyls. no. 1 and 2																2	2	2		
3	LW-12098-1-170	TUBE ASSY., Primer, cyl. no. 2		1	1	1	1	1	1	1	1	1	1	1	1	1	1					1
	61581-32	TUBE ASSY., Primer, cyl. no. 2						1						1								
4	LW-12098-1-116	TUBE ASSY., Primer, cyls. no. 3 and 4																2	2	2		
	LW-12098-1-116	TUBE ASSY., Primer, cyl. no. 3						1						1								
5	LW-12098-1-116	TUBE ASSY., Primer, cyl. no. 4		1	1	1	1	1	1	1	1	1	1	1	1	1	1					1
	LW-12098-1-100	TUBE ASSY., Primer, inter.		1	1	1	1	1	1	1	1	1	1	1	1	1	1					1
6	LW-12098-0-134	TUBE ASSY., Primer, inter.						1						1								
	LW-12098-0-134	TUBE ASSY., Primer, inter., left																1	1	1		
7	LW-12098-0-100	TUBE ASSY., Primer, inter., right																1	1	1		
	LW-12293	CLIP, 3/16 ID for 1/4 dia. screw, cushion type		4	4	4	4	4	4	4	4	4	4	4	4	4	4	4	4	4	4	4
10	LW-14432	BRACKET, Support clamp						1	1					1				1	1	1		
	71910	CLAMP, 1-3/4 ID with 1/4 dia. offset		3	3	3	3	3	3	3	3	3	3	3	3	3	3					3
11	71910	CLAMP, 1-3/4 ID with 1/4 dia. offset																4	4	4		
	STD-553	SCREW, No. 6-32 x 1/2 long, rd. hd.		3	3	3	3	3	3	3	3	3	3	3	3	3	3					3
12	STD-553	SCREW, No. 6-32 x 1/2 long, rd. hd.																4	4	4		
	AN365-632A	NUT, No. 6-32 self-locking		3	3	3	3	3	3	3	3	3	3	3	3	3	3					3
13	AN365-632A	NUT, No. 6-32 self-locking																4	4	4		
	STD-853	TEE, Union, 1/8 tube		2	2	2	2	2	2	2	2	2	2	2	2	2	2					2
14	STD-853	TEE, Union, 1/8 tube																3	3	3		
	74225	NIPPLE ASSY., Primer		3	3	3	3	3	3	3	3	3	3	3	3	3	3					3
15	74225	NIPPLE ASSY., Primer																4	4	4		
	STD-670	NUT, No. 10-32						1	1					1				1	1	1		
16	STD-692	SCREW, No. 10-32						1	1					1				1	1	1		
	1102	PLUG, 1/8 NPT, Allen (assemble in cyl. head)		1	1	1	1	1	1	1	1	1	1	1	1	1	1					1

LYCOMING O-360-A SERIES PARTS CATALOG

WIDE CYLINDER FLANGE CRANKCASE MODEL ENGINES

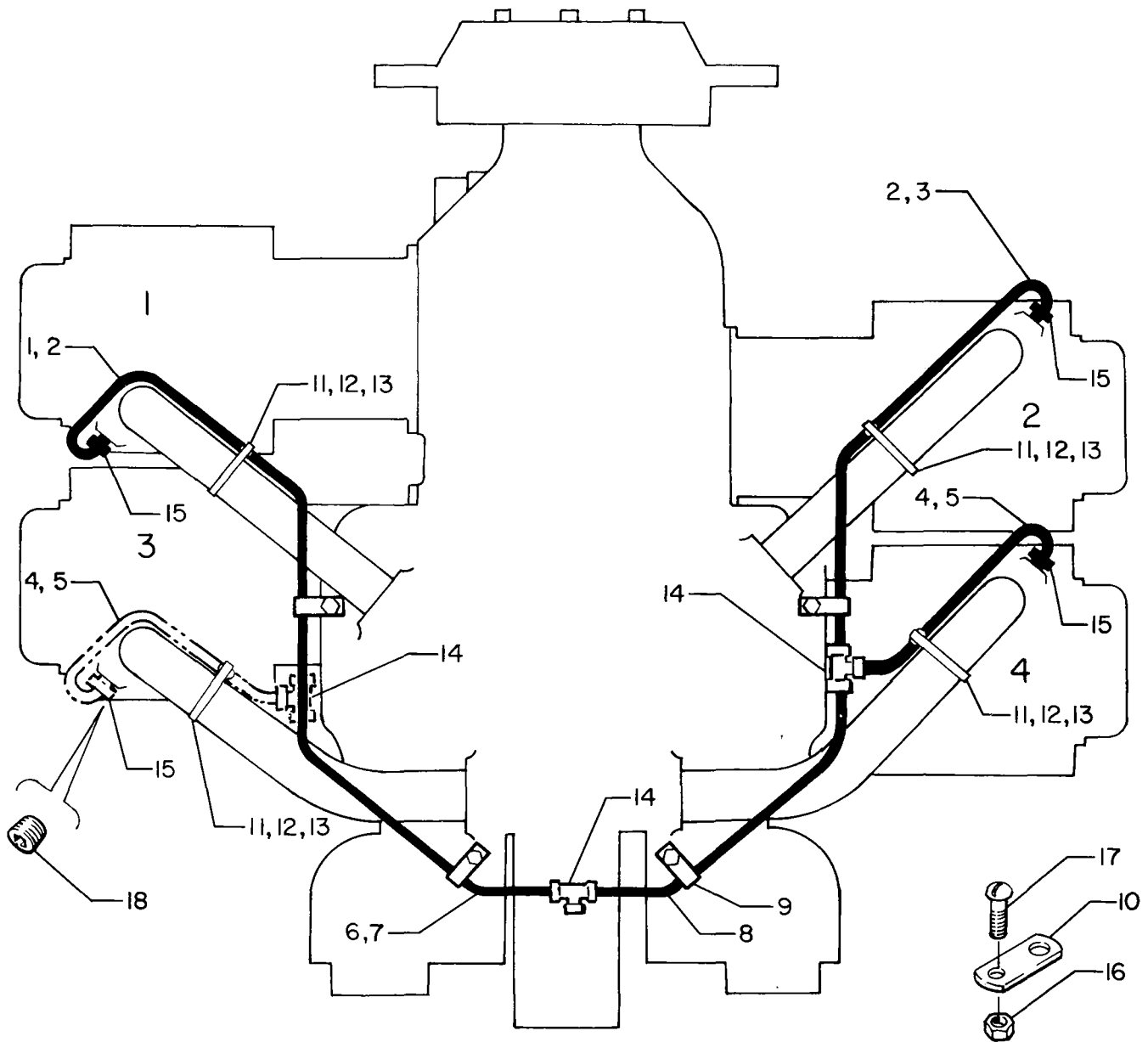


Figure 34 - Priming System

LYCOMING O-360-A SERIES PARTS CATALOG

WIDE CYLINDER FLANGE CRANKCASE MODEL ENGINES

SERVICE KIT SECTION

SEAL AND GASKET SET
All O-360-A Series Wide Cylinder Flange engines
except for O-360-A1F6D and -A1G6D

PART NUMBER	DESCRIPTION	QTY. PER ENG.
75439-1	SEAL AND GASKET SET	1
AN901-8A	GASKET	1
STD-111	GASKET, Annular	1
STD-208	SEAL, Oil	1
STD-213	SEAL, Oil (fuel pump drive)	1
STD-294	GASKET, Annular	2
STD-1045	GASKET, Annular	1
1691-C	GASKET, Fuel pump pad	1
8313	GASKET, Vacuum pump	1
60096	GASKET, Fuel pump	1
61156	LOCKPLATE, Crankshaft gear	1
LW-14260	SEAL, Tachometer	1
61173	GASKET, Oil pressure housing	1
61183	GASKET, Accessory adapter	1
61523	BOX, Set-up	1
62224	GASKET, Magneto adapter	3
62922	SEAL, Shroud tube	8
65321	GASKET, Exhaust flange	4
66224	GASKET, Carburetor	2
68315	GASKET, Accessory drive adapter	1
LW-13353	GASKET, Oil sump	1
69164	GASKET, Fuel pump adapter	1
69345	SPACER	4
69551	GASKET, Accessory pad cover	1
70310	SEAL, Shroud tube	8
71481	RING, Oil seal	4
71973	GASKET, Intake flange	4
72053	GASKET, Governor drive pad	2
72059	GASKET	1
72075	SEAL, Oil	6
72078	LOCKPLATE, Cam gear	2
72091	RING, Oil seal	2
73383	LOCKPLATE	2
73817	LOCKPLATE, Crankshaft idler gear shaft	2
73818	GASKET, Accessory housing	1
74065	RING, Oil level gage seal	1
74068	RING, Oil level gage seal	1
75906	GASKET, Rocker box cover	4
76510	GASKET	1
76940	SEAL, Crankshaft oil	1
LW-13792	SEAL, Crankshaft oil	1
LW-12272	LOCKPLATE, Shroud tube	4
LW-12681	GASKET, Magneto	2
LW-12795	GASKET	1
LW-14995	SPRING	4
LW-10332	LOCKPLATE	1
70455	GASKET	1
STD-1763	PALNUT	4

LYCOMING O-360-A SERIES PARTS CATALOG

WIDE CYLINDER FLANGE CRANKCASE MODEL ENGINES

SERVICE KIT SECTION

SEAL AND GASKET SET O-360-A1F6D, -A1G6D

PART NUMBER	DESCRIPTION	QTY. PER ENG.
LW-12945	SEAL AND GASKET SET	1
MS16625-1081	RING, Internal retaining	1
MS16625-1100	RING, Internal retaining	1
MS29512-10	SEAL	3
STD-111	GASKET	1
STD-208	SEAL, Oil	1
STD-294	GASKET	2
STD-1045	GASKET	1
8313	GASKET	1
60096	GASKET	1
LW-14260	SEAL, Tach. drive	1
61523	BOX, Set-up	1
62922	SEAL, Shroud tube	8
65321	GASKET, Exhaust flange	8
66224	GASKET, Carburetor	1
LW-13353	GASKET, Oil sump	1
71481	SEAL, Cylinder base	4
71973	GASKET	4
72053	GASKET, Governor	1
72075	"O" RING	6
72091	RING, Oil seal	2
73383	LOCKPLATE	2
73818	GASKET, Accessory housing	1
74068	RING, Oil level gage	1
75906	GASKET, Rocker box cover	4
LW-12681	GASKET, Dual magneto	1
LW-10332	LOCKPLATE, Crankshaft	1
LW-13792	SEAL, Crankshaft	1
72059	GASKET, Oil level gage	1
70310	SEAL, Shroud tube	8
LW-12272	LOCKPLATE	4
LW-14995	SPRING	4
77154	GASKET, Carburetor	1
74065	RING, Oil level gage	1

LYCOMING O-360-A SERIES PARTS CATALOG

WIDE CYLINDER FLANGE CRANKCASE MODEL ENGINES

SERVICE KIT SECTION

O-360-A Series (High Compression)
Cylinder, Piston and Ring Kit
(Nitrided Cylinder, Half-Wedge Ring)

PART NUMBER	DESCRIPTION	QTY. PER ENG.
76296	CYLINDER, PISTON AND RING ASSY.	1
STD-1411	NUT, Plain, 1/4-20	1
STD-1925	SCREW	6
60009	KEY, Valve, intake	2
62922	SEAL, Shroud tube	2
LW-13790	SHAFT, Valve rocker	1
60828	PLUG, Piston pin	2
75906	GASKET, Rocker box cover	1
61247	COVER, Rocker box	1
MS13998-3	CAP, Valve stem, exhaust (rotator type)	1
LW-11800	SPRING, Valve, outer	2
65441	SEAT, Valve spring, lower (intake)	1
LW-11795	SPRING, Valve, inner	2
LW-10077	SEAT, Valve spring, upper, intake	1
LW-14995	SPRING, Shroud tube	1
LW-12272	LOCKPLATE, Shroud tube	1
69444	ROCKER ASSY., Valve intake	1
LW-10076	SEAT, Valve spring, upper, exhaust (rotator type)	1
LW-13446	PIN, Piston	1
LW-14077	PIN, Piston	1
70310	SEAL, Shroud tube	2
71195	BOX, Set-up	1
71481	SEAL, Cylinder base	1
74541	VALVE, Exhaust (rotator type) sodium cooled chrome stem	1
MS13997-3	KEY, Valve, exhaust (rotator type)	2
LW-12328	RING, Piston, oil regulating (ch.) (expander type)	1
73938	VALVE, Intake	1
74241	RING, Piston, compression (chrome)	2
LW-12427	CYLINDER AND HEAD ASSY., (Nitrided cyls. straight valve head)	1
75089	PISTON	1
74636	ROCKER ASSY., Exhaust	1
LW-13323	SEAT, Valve spring lower, exhaust	1
LW-12892	THRUST BUTTON	2
STD-1215	BOLT	2
72198	PLUG	2
SSP672	TAG	1
LW-11775	PLUG, Piston pin (aluminum)	2
SSP2472	TAG	1

LYCOMING O-360-A SERIES PARTS CATALOG

WIDE CYLINDER FLANGE CRANKCASE MODEL ENGINES

SECTION 8

PARTS SUPERSEDURES

Part No.	Superseded by	Name	Remarks
SECTION 1			
Reference Page 1-1			
LW-11053	LW-13809	Crankcase Assy.	To change from lockplates to lockwire at crankshaft idler gear shaft location.
LW-11023	LW-11053	Crankcase Assy.	To incorporate body fit thru studs.
78223	LW-11023	Crankcase Assy.	To incorporate straight main bearing dowels.
76606	78223	Crankcase Assy.	Product improvement.
75090	76606	Crankcase Assy.	Product improvement.
LW-11068	LW-13820	Crankcase Assy.	To change from lockplates to lockwire at crankshaft idler gear shaft location.
LW-11030	LW-11068	Crankcase Assy.	To incorporate body fit thru studs.
78238	LW-11030	Crankcase Assy.	To incorporate straight main bearing dowels.
77262	78238	Crankcase Assy.	Product improvement.
77054	77262	Crankcase Assy.	Product improvement.
66734	75154	Stud	To incorporate body fit thru studs.
69680	66734	Stud	Product improvement.
75156	LW-13793	Stud	To employ lockwire instead of lockplates.
Reference Page 1-3			
69097	75735	Tube, Oil level gage	To incorporate reinforced nylon oil filler tube.
72373	75767	Tube, Oil level gage	To incorporate reinforced nylon oil filler tube.
72059	74068	"O" Ring	Product improvement.
72220	74065	"O" Ring	Product improvement.
62281	LW-14759	Gage Assy.	Product improvement.
72847	LW-14780	Gage Assy.	Product improvement.
72418	72847	Gage Assy.	Product improvement.
69116	LW-14758	Gage Assy.	Product improvement.

LYCOMING O-360-A SERIES PARTS CATALOG

WIDE CYLINDER FLANGE CRANKCASE MODEL ENGINES PARTS SUPERSEDURES

SECTION 1 (CONT).

Part No.	Superseded by	Name	Remarks
Reference Page 1-3 (Cont.)			
LW-10615	LW-14727	Gage Assy.	Product improvement.
LW-12791	LW-14735	Gage Assy.	Product improvement.
Reference Page 1-5			
LW-10783	LW-12336	Crankshaft and Counter-weight Assy.	To incorporate crankshaft without lightening holes in prop. flange.
71324	74966	Crankshaft Assy.	To incorporate crankshaft assemblies without sludge tubes.
71541	74968	Crankshaft Assy.	To incorporate crankshaft assemblies without sludge tubes.
74250	74970	Crankshaft Assy.	To incorporate crankshaft assemblies without sludge tubes.
LW-10782	LW-12335	Crankshaft Assy.	To incorporate crankshaft without lightening holes in prop. flange.
71325	72060	Bushing, Prop. flange	Product improvement.
71326	72061	Bushing, Prop. flange	Product improvement.
71327	72062	Bushing, Prop. flange	Product improvement.
71906	LW-14820	Ring, Internal retaining	To incorporate reinforced retaining rings.
74167	76097	Camshaft Assy.	To incorporate camshaft with integral gear.
70492	74167	Camshaft Assy.	Product improvement.
68769	70492	Camshaft Assy.	Product improvement.
Reference Page 1-7			
71714	76529	Plug, Oil relief valve	Product improvement.
61143	71714	Plug, Oil relief valve	Product improvement.
76163	77808	Valve Assy.	To incorporate valve assy. having hex rather than slot for adjustment.
LW-10124	LW-11021	Crankshaft Bearing	Product improvement.
73049	LW-10124	Crankshaft Bearing	Product improvement.
72415	73049	Crankshaft Bearing	Product improvement.
77044	LW-13884	Crankshaft Bearing	Product improvement.

LYCOMING O-360-A SERIES PARTS CATALOG

WIDE CYLINDER FLANGE CRANKCASE MODEL ENGINES PARTS SUPERSEDURES

SECTION 1 (CONT).

Part No.	Superseded by	Name	Remarks
Reference Page 1-7 (Cont).			
75210	77044	Crankshaft Bearing	Product improvement.
71637	75210	Crankshaft Bearing	Product improvement.
LW-12077	LW-13792	Seal, Crankshaft oil	To incorporate crankshaft seal having glue retention grooves.
STD-336	72075	Oil Seal	Product improvement.
STD-998	72091	Ring, Oil seal	Product improvement.
69529	72877	Hydraulic Tappet Body	Product improvement.
Reference Page 1-8			
MS9048-111	AN565B1032H5	Set Screw	To incorporate set screw instead of spring pin on gov. idler shaft.
70454	LW-13896	Plug	To incorporate gov. idler shaft plug with short hex head.
Reference Page 1-9			
61278	74996	Gear Assy.	Product improvement.
61154	77309	Bushing	Product improvement.
61152	75072	Gear Assy.	Product improvement.
75709	78368	Roll Pin	Product improvement.
75158	LW-13796	Shaft, Crankshaft idler gear	Product improvement.
Reference Page 1-11			
STD-1415	STD-2084	Bolt	To incorporate increased thread length.
LW-10941	LW-11866	Spacer	Product improvement.
Reference Page 1-13			
72565	LW-16064	Support Assy.	To incorporate 23 ⁰ timing mark.
71328	72565	Support Assy.	Product improvement.
72287	75221	Support Assy.	Product improvement.
SECTION 2			
Reference Page 2-1			
61352	73818	Gasket	Product improvement.

LYCOMING O-360-A SERIES PARTS CATALOG

WIDE CYLINDER FLANGE CRANKCASE MODEL ENGINES PARTS SUPERSEDURES

SECTION 2 (CONT).

Part No.	Superseded by	Name	Remarks
Reference Page 2-1 (Cont).			
72506	76110	Housing Assy.	Product improvement.
71581	72506	Housing Assy.	Product improvement.
73972	76111	Housing Assy.	Product improvement.
72510	73972	Housing Assy.	Product improvement.
76826	77510	Housing Assy.	Product improvement.
LW-10886	LW-10891	Housing Assy.	To provide clearance when using LW-16335 fuel pump.
25C-10	75888	Stud	Product improvement.
Reference Page 2-3			
76354	78528	Body Assy.	To incorporate sintered oil pump impellers.
LW-14038	LW-14712	Impeller	To incorporate new sintered impeller.
LW-12897	LW-14038	Impeller	Product improvement.
77313	LW-12897	Impeller	Product improvement.
Reference Page 2-4			
LW-12475	LW-12920	Tube Assy.	Product improvement.
Reference Page 2-5			
60869	71596	Washer	Product improvement.
69000	75153	Adapter Assy.	To incorporate straight fittings on prop. gov. drive adapter.
68531	75545	Adapter Assy.	To incorporate straight fittings on prop. gov. drive adapter.
75545	78594	Adapter Assy.	To attach a Western-Garvin gov. in present Mooney installations.
179B	72053	Gasket	Product improvement.
180G	72378	Cover	To incorporate slot in cover.
Reference Page 2-7			
75246	LW-16335	Fuel Pump	Product improvement.
75148	75246	Fuel Pump	Product improvement.

LYCOMING O-360-A SERIES PARTS CATALOG

WIDE CYLINDER FLANGE CRANKCASE MODEL ENGINES PARTS SUPERSEDURES

SECTION 2 (CONT).

Part No.	Superseded by	Name	Remarks
Reference Page 2-7 (Cont).			
74798	75148	Fuel Pump	Product improvement.
74082	74798	Fuel Pump	Product improvement.
74060	74082	Fuel Pump	Product improvement.
73297	74060	Fuel Pump	Product improvement.
Reference Page 2-8			
STD-1177	STD-1774	Pin	Product improvement.
61164	72970	Gear Assy.	Product improvement.
60869	71596	Washer	Product improvement.
Reference Page 2-9			
68758	71140	Breather Fitting	To incorporate threaded breather in accessory housing.
76691	LW-12795	Gasket	Product improvement.
74504	76691	Gasket	Product improvement.
STD-1884	STD-1856	Screw	Product improvement.
LW-13215	LW-13906	Oil Filter Assy.	To incorporate stud for attaching on dual magneto series engines.
69451	75944	Valve Assy.	Product improvement.

SECTION 3

Reference Page 3-1

LW-11457	LW-11750	Connecting Rod Assy.	To incorporate connecting rods which are not tongue and grooved.
LW-10722	LW-11457	Connecting Rod Assy.	Product improvement.
74502	LW-10722	Connecting Rod Assy.	Product improvement.
71987	74502	Connecting Rod Assy.	Product improvement.
65819	LW-13923	Bushing	Product improvement.
74644	75061	Connecting Rod Bolt	Product improvement.
71087	74644	Connecting Rod Bolt	To incorporate bolts with crimp lock fixture.
74646	LW-12186	Connecting Rod Nut	Product improvement.

LYCOMING O-360-A SERIES PARTS CATALOG

WIDE CYLINDER FLANGE CRANKCASE MODEL ENGINES PARTS SUPERSEDURES

SECTION 3 (CONT).

Part No.	Superseded by	Name	Remarks
Reference Page 3-1 (Cont).			
71950	74646	Connecting Rod Nut	To incorporate nuts with crimp lock fixture.
71086	71950	Connecting Rod Nut	Product improvement.
72218	LW-13521	Connecting Rod Bearing	To incorporate connecting rod bearings with increased crush.
74530	75089	Piston	Product improvement.
72967	74530	Piston	Product improvement.
71594	72967	Piston	Product improvement.
LW-13444	LW-14078	Piston Pin	Product improvement.
72446	74241	Piston Ring	Product improvement.
68513	72446	Piston Ring	Product improvement.
Reference Page 3-2			
75874	LW-12427	Cylinder Assy.	Product improvement.
74973	75874	Cylinder Assy.	Product improvement.
67904	72057	Seat, Intake	Product improvement.
69530	72058	Seat, Exhaust	Product improvement.
60028	76943	Guide, Intake	Product improvement.
74230	77160	Guide, Exhaust	To incorporate flangeless valve guides.
69533	74230	Guide, Exhaust	Product improvement.
Reference Page 3-3			
71135	73434	Push Rod Assy.	Product improvement.
71136	73435	Push Rod Assy.	Product improvement.
71137	73436	Push Rod Assy.	Product improvement.
60401	LW-13790	Valve Rocker Shaft	Product improvement.
61246	75906	Gasket	Product improvement.
77907	74887	Spacer	Product improvement.
Reference Page 3-5			
72625	73938	Intake Valve	Product improvement.

LYCOMING O-360-A SERIES PARTS CATALOG

WIDE CYLINDER FLANGE CRANKCASE MODEL ENGINES PARTS SUPERSEDURES

SECTION 3 (CONT).

Part No.	Superseded by	Name	Remarks
Reference Page 3-5 (Cont).			
67905	72625	Intake Valve	Product improvement.
71595	74541	Exhaust Valve	Product improvement.
65567	LW-11795	Valve Spring	Product improvement.
76994	LW-11800	Valve Spring	Product improvement.
65427	76994	Valve Spring	Product improvement.
74554	LW-13323	Seat	To incorporate new lower valve spring seat with increased I.D.
68327	LW-10077	Seat	Product improvement.
73115	LW-10076	Seat	Product improvement.
76290	78290	Plunger Assy.	Product improvement.
73062	76290	Plunger Assy.	To provide limited travel plunger assemblies.
72876	73062	Plunger Assy.	Product improvement.
71791	72876	Plunger Assy.	Product improvement.
65074	78524	Push Rod Socket	Product improvement.
71083	LW-11485	Shroud Tube	Product improvement.
75774	71083	Shroud Tube	Product improvement.
LW-13428	LW-14995	Shroud Tube Spring	Product improvement.
LW-12273	LW-13428	Shroud Tube Spring	Product improvement.
68517	LW-12273	Shroud Tube Spring	Product improvement.
68518	LW-12272	Lockplate	Product improvement.
60053	62922	Shroud Tube Seal	Product improvement.
Reference Page 3-6			
STD-2188	LW-15592-5-05	Clamp	Product improvement.
STD-2174	STD-2188	Clamp	Product improvement.
STD-1924	STD-2174	Clamp	Product improvement.
STD-1252	STD-1924	Clamp	Product improvement.

LYCOMING O-360-A SERIES PARTS CATALOG

WIDE CYLINDER FLANGE CRANKCASE MODEL ENGINES PARTS SUPERSEDURES

SECTION 4

Part No.	Superseded by	Name	Remarks
Reference Page 4-1			
45663	62224	Gasket	Product improvement.
61666	LW-12706	Adapter	Product improvement.
78292	LW-12681	Gasket	Product improvement.
73820	78292	Gasket	Product improvement.
71398	LW-51360-29	Magneto	To incorporate new distributor block lubrication.
61502	71398	Magneto	Product improvement.
71397	LW-51360-37	Magneto	Product improvement.
61667	71397	Magneto	Product improvement.
72524	LW-163045-3	Magneto	To incorporate new distributor block lubrication.
73360	LW-163005-2	Magneto	To incorporate new distributor block lubrication.
72525	73360	Magneto	Product improvement.
77985	LW-51360-45	Magneto	Product improvement.
75896	LW-349305-1	Magneto	To incorporate new distributor block lubrication.
75897	LW-349365-3	Magneto	Product improvement.
78955	LW-163045-6	Magneto	To incorporate new distributor block lubrication.
77742	LW-16365	Magneto and Harness Assy.	Product improvement.
76949	LW-16364	Magneto	Product improvement.
77744	LW-16367	Magneto and Harness Assy.	Product improvement.
76590	LW-16366	Magneto	Product improvement.
LW-320297-3	LW-14057	Clip	Product improvement.
LW-320298-3	LW-14060	Clip	Product improvement.
61566	LW-52305-1	Magneto Kit Assembly	Product improvement.
71574	LW-157209	Magneto Kit Assembly	Product improvement.

LYCOMING O-360-A SERIES PARTS CATALOG

WIDE CYLINDER FLANGE CRANKCASE MODEL ENGINES PARTS SUPERSEDURES

SECTION 4 (CONT).

Part No.	Superseded by	Name	Remarks
Reference Page 4-1 (Cont).			
71571	LW-157208	Magneto Kit Assembly	Product improvement.
Reference Page 4-3			
LW-10301	LW-13643	Gear, Retainer	Product improvement.
LW-12136	LW-13641	Cushion	Product improvement.
78292	LW-12681	Gasket	To incorporate new magneto adapter and gasket.
73820	78292	Gasket	Product improvement.
LW-384400-303	LW-684400-303	Ignition Harness	To incorporate extruded jacket cable.
LW-384405-303	LW-684405-303	Ignition Harness	To incorporate extruded jacket cable.
LW-89027-17	LW-14875	Bracket	Product improvement.
LW-89027-4	LW-14874	Bracket	Product improvement.
LW-12202	MS21919-G12	Clip	Product improvement.
LW-320297-3	LW-14057	Clip	Product improvement.
LW-320297-2	LW-620026-2	Clip	Product improvement.
LW-320298-3	LW-620028-3	Clip	Product improvement.
LW-320298-2	LW-620028-2	Clip	Product improvement.
LW-320298-1	LW-620028-1	Clip	Product improvement.
LW-320432-1	LW-620036-1	Clip	Product improvement.
LW-320232	LW-620036-4	Clip	Product improvement.
Reference Page 4-5			
76992	78539	Cable Assy.	Product improvement.
75846	76992	Cable Assy.	Product improvement.
71885	75846	Cable Assy.	Product improvement.
76995	78540	Cable Assy.	Product improvement.
73370	76995	Cable Assy.	Product improvement.
76991	78542	Cable Assy.	Product improvement.
75847	76991	Cable Assy.	Product improvement.

LYCOMING O-360-A SERIES PARTS CATALOG

WIDE CYLINDER FLANGE CRANKCASE MODEL ENGINES PARTS SUPERSEDURES

SECTION 4 (CONT.)

Part No.	Superseded by	Name	Remarks
Reference Page 4-5 (Cont.)			
71886	75847	Cable Assy.	Product improvement.
76990	78538	Cable Assy.	Product improvement.
75850	76990	Cable Assy.	Product improvement.
74214	75850	Cable Assy.	Product improvement.
76544	LW-10177	Cable Assy.	Product improvement.
76721	LW-10389	Elbow	Product improvement.
76722	LW-10388	Elbow	Product improvement.
76855	LW-10390	Elbow	Product improvement.
Reference Page 4-7			
LW-620410-3	LW-720410-3	Harness Assy.	Product improvement.
78538	LW-M-2403	Harness Assy.	Product improvement.
76990	78538	Harness Assy.	Product improvement.
75850	76990	Harness Assy.	Product improvement.
74214	75850	Harness Assy.	Product improvement.
78546	LW-M-2415	Harness Assy.	To incorporate Slick harness as alternate.
78539	LW-M-2404	Harness Assy.	To incorporate Slick harness as alternate.
78542	LW-M-2404	Harness Assy.	To incorporate Slick harness.
78547	LW-M-2404	Harness Assy.	To incorporate Slick harness.
78546	LW-M-2416	Harness Assy.	To incorporate Slick harness.
LW-320298-3	LW-14060	Clamp	Product improvement.
LW-320297-3	LW-14057	Clamp	Product improvement.
Reference Page 4-9			
1182-U1	1182-B3	Spark Plug	Product improvement.
1182-S2	1182-F3	Spark Plug	Product improvement.

SECTION 5

Reference Page 5-1

62831	72205	Regulator	Product improvement.
-------	-------	-----------	----------------------

LYCOMING O-360-A SERIES PARTS CATALOG

WIDE CYLINDER FLANGE CRANKCASE MODEL ENGINES PARTS SUPERSEDURES

SECTION 5 (CONT.)

Part No.	Superseded by	Name	Remarks
Reference Page 5-1 (Cont.)			
77345	LW-10185	Regulator	Product improvement.
77347	LW-10179	Regulator	Product improvement.
72871	72000	Drive Belt	Product improvement.
74322	76026	Drive Belt	Product improvement.
60861	76028	Link	Product improvement.
Reference Page 5-3			
76533	LW-13039	Bracket	Product improvement.
76907	LW-10729	Link	Product improvement.
76818	LW-11955	Link	Product improvement.
60861	76028	Link	Product improvement.
AN6-16	AN6-13	Bolt	Product improvement.
Reference Page 5-5			
77344	78308	Alternator	Product improvement.
LW-10513	LW-14351	Alternator Assy.	Product improvement.
LW-10511	LW-14313	Alternator	Product improvement.
78310	LW-14316	Alternator	Product improvement.
77470	78310	Alternator	Product improvement.
78312	LW-14319	Alternator	Product improvement.
77396	78312	Alternator	Product improvement.
78311	LW-14317	Alternator	Product improvement.
77764	78311	Alternator	Product improvement.
78407	LW-14308	Alternator	Product improvement.
78408	LW-14309	Alternator	Product improvement.
Reference Page 5-6			
LW-14207	LW-15571	Starter	To incorporate large barrel starter drive.
76211	LW-14207	Starter	Product improvement.

LYCOMING O-360-A SERIES PARTS CATALOG

WIDE CYLINDER FLANGE CRANKCASE MODEL ENGINES PARTS SUPERSEDURES

SECTION 5 (CONT.)

Part No.	Superseded by	Name	Remarks
Reference Page 5-6 (Cont.)			
74092	76211	Starter	Product improvement.
72465	74092	Starter	Product improvement.
73269	74092	Starter	Product improvement.
LW-14208	LW-15572	Starter	To incorporate large barrel starter drive.
76212	LW-14208	Starter	Product improvement.
72462	76212	Starter	Product improvement.
72464	72462	Starter	Product improvement.
72461	72464	Starter	Product improvement.
72337	72461	Starter	Product improvement.
71348	72337	Starter	Product improvement.
76773	LW-12083	Switch	Product improvement.
61427	76773	Switch	Product improvement.
76775	LW-12085	Switch	Product improvement.
76268	76775	Switch	Product improvement.
61941	76268	Switch	Product improvement.

SECTION 6

Reference Page 6-1

68972	LW-13353	Gasket	Product improvement.
71871	78915	Sump Assy.	Product improvement.
70489	71871	Sump Assy.	Product improvement.
70482	78914	Connection	Product improvement.

Reference Page 6-2

74141	71713	Intake Pipe	To locate fuel drain in sump.
STD-1269	LW-15592-8-28	Clamp	Product improvement.
60131	71973	Gasket	Product improvement.
60069	73346	Flange	Product improvement.

Reference Page 6-3

LW-12097	LW-15957	Carburetor	Product improvement.
----------	----------	------------	----------------------

LYCOMING O-360-A SERIES PARTS CATALOG

WIDE CYLINDER FLANGE CRANKCASE MODEL ENGINES PARTS SUPERSEDURES

SECTION 6 (CONT.)

Part No.	Superseded by	Name	Remarks
Reference Page 6-3 (Cont.)			
LW-10260	LW-12097	Carburetor	Product improvement.
LW-16062	LW-15959	Carburetor	Product improvement.
Reference Page 6-5			
61581-12	LW-12098-1-284	Tube Assy.	Product improvement.
61581-21A	61581-25	Tube Assy.	To incorporate shorter primer tube at no. 1 cylinder.
61581-9	LW-12098-1-170	Tube Assy.	Product improvement.
61581-2	LW-12098-1-116	Tube Assy.	Product improvement.
61581-26	LW-12098-0-134	Tube Assy.	Product improvement.
61581-3	LW-12098-0-100	Tube Assy.	Product improvement.
62254	LW-12293	Clip	Product improvement.

LYCOMING O-360-A SERIES PARTS CATALOG

WIDE CYLINDER FLANGE CRANKCASE MODEL ENGINES NUMERICAL INDEX

PART NO.	PART NAME	PAGE NO.	PART NO.	PART NAME	PAGE NO.
AN3-7	Bolt	6-3	LW-10574	Spacer	1-11
AN345C10	Nut	6-3	LW-10647	Dowel	1-1
AN365-632A	Nut	4-5	LW-10660	Oil Filter Assy.	2-9
AN365-632A	Nut	6-5	LW-10729	Link	5-3
AN365-632C	Nut	4-7	LW-10811	Terminal	4-5
AN365-1024	Nut	6-3	LW-10812	Collar	4-5
AN500-416-10	Screw	4-5	LW-10814	Spring	4-5
AN500-416-18	Screw	4-5	LW-10815	Bracket	4-5
AN500-416-18	Screw	4-7	LW-10815	Bracket	4-7
AN500A416-10	Screw	6-3	LW-10883	Housing Assy.	2-1
AN565B1032H5	Set Screw	1-8	LW-10884	Housing Assy.	2-1
AN6-13	Bolt	5-3	LW-10885	Housing Assy.	2-1
AN6-14	Bolt	5-3	LW-10891	Housing Assy.	2-1
AN6-16	Bolt	5-3	LW-10945	Roller	1-5
AN6-32	Bolt	5-3	LW-10977	Roller	1-5
AN6-34A	Bolt	1-11	LW-11021	Bearing	1-7
AN777-8D	Elbow	2-9	LW-11123	Spacer	4-5
AN8-14A	Bolt	1-5	LW-11153	Crankshaft Assy.	1-5
AN814-6L	Plug	2-5	LW-11485	Tube	3-5
AN814-10L	Plug	2-9	LW-11713	Spring	1-7
AN816-8	Nipple	2-9	LW-11750	Connecting Rod Assy.	3-1
AN844-10D	Elbow	2-9	LW-11795	Spring	3-5
AN901-8A	Gasket	2-9	LW-11800	Spring	3-5
AN960-616L	Washer	1-11	LW-11866	Spacer	1-11
LW-10064	Carburetor	6-3	LW-11955	Link	5-3
LW-10076	Seat	3-5	LW-12083	Switch	5-6
LW-10077	Seat	3-5	LW-12085	Switch	5-6
LW-10177	Cable Assy.	4-5	LW-12098-0-100	Tube Assy.	6-5
LW-10179	Regulator	5-1	LW-12098-0-134	Tube Assy.	6-5
LW-10184	Support Assy.	1-13	LW-12098-1-100	Tube Assy.	6-5
LW-10185	Regulator	5-1	LW-12098-1-116	Tube Assy.	6-5
LW-10284	Gear	1-5	LW-12098-1-170	Tube Assy.	6-5
LW-10286	Gear Assy.	1-9	LW-12098-1-284	Tube Assy.	6-5
LW-10296	Gear Assy.	1-9	LW-12186	Nut	3-1
LW-10303	Plug	2-8	LW-12272	Lockplate	3-5
LW-10305	Gear Assy.	2-8	LW-12293	Clip	6-5
LW-10320	Sleeve	2-9	LW-12335	Crankshaft Assy.	1-5
LW-10321	Spring	2-9	LW-12336	Crankshaft and Ct'wt Assy.	1-5
LW-10332	Lockplate	1-5	LW-12347	Plate	2-5
LW-10341	Insert	2-1	LW-12372	Crankcase Assy.	1-1
LW-10342	Body	2-3	LW-12373	Crankcase Assy.	1-1
LW-10388	Elbow	4-5	LW-12379	Crankshaft Assy.	1-5
LW-10389	Elbow	4-5	LW-12380	Crankshaft and Ct'wt. Assy.	1-5
LW-10390	Elbow	4-5	LW-12427	Cylinder and Head Assy.	3-2
LW-10400	Ferrule	4-5	LW-12545	Plug	6-1
LW-10482	Housing Assy.	2-1	LW-12569	Crankcase Assy.	1-1
LW-10504	Support Assy.	1-13	LW-12589	Insert	2-1
LW-10512	Pulley	5-5	LW-12593	Crankshaft Assy.	1-5
LW-10572	Bolt	1-11	LW-12681	Gasket	4-1
LW-10573	Bolt	1-11	LW-12681	Gasket	4-3

LYCOMING O-360-A SERIES PARTS CATALOG

WIDE CYLINDER FLANGE CRANKCASE MODEL ENGINES NUMERICAL INDEX

PART NO.	PART NAME	PAGE NO.	PART NO.	PART NAME	PAGE NO.
LW-12706	Adapter	4-1	LW-14317	Alternator	5-5
LW-12789	Tube Assy.	1-3	LW-14319	Alternator	5-5
LW-12795	Gasket	2-9	LW-14324	Alternator	5-5
LW-12892	Thrust Button	3-3	LW-14351	Alternator Assy.	5-5
LW-12903	Reducer	2-9	LW-14412	Crankshaft Assy.	1-5
LW-12911	Gear Assy.	1-9	LW-14416	Housing Assy.	2-1
LW-12913	Thrust Button	2-5	LW-14432	Bracket	6-5
LW-12914	Gear Assy.	2-5	LW-14487	Adapter Assy.	6-3
LW-12920	Tube Assy.	2-4	LW-14712	Impeller	2-3
LW-12948	Harness Assy.	4-5	LW-14714	Connector	6-3
LW-13018	Crankshaft Assy.	1-5	LW-14724	Bracket	6-3
LW-13039	Bracket	5-3	LW-14727	Gage Assy.	1-3
LW-13215	Oil Filter	2-9	LW-14735	Gage Assy.	1-3
LW-13323	Seat	3-5	LW-14758	Gage Assy.	1-3
LW-13353	Gasket	6-1	LW-14759	Gage Assy.	1-3
LW-13365	Brace	5-3	LW-14780	Gage Assy.	1-3
LW-13429	Rod End	6-3	LW-14789	Gage Assy.	1-3
LW-13521	Bearing	3-1	LW-14820	Ring	1-5
LW-13641	Cushion	4-3	LW-14828	Reducer	2-9
LW-13643	Gear	4-3	LW-14874	Bracket	4-3
LW-13683	Bearing	1-7	LW-14875	Bracket	4-3
LW-13790	Shaft	3-3	LW-14910	Coupling	4-1
LW-13792	Seal	1-7	LW-14995	Spring	3-5
LW-13793	Stud	1-1	LW-15380	Carburetor	6-3
LW-13796	Shaft	1-9	LW-15416	Adapter Assy.	4-1
LW-13809	Crankcase Assy.	1-1	LW-15420	Housing Assy.	2-1
LW-13820	Crankcase Assy.	1-1	LW-15421	Housing Assy.	2-1
LW-13884	Bearing	1-7	LW-15571	Starter	5-6
LW-13885	Bearing	1-7	LW-15572	Starter	5-6
LW-13896	Plug	1-8	LW-15592-5-05	Clamp	3-6
LW-13904	Kit	2-9	LW-15592-8-28	Clamp	6-2
LW-13906	Oil Filter Assy.	2-9	LW-15628	Seal	1-7
LW-13923	Bushing	3-1	LW-15957	Carburetor	6-3
LW-13939	Clamp	4-7	LW-15959	Carburetor	6-3
LW-14021	Shaft	1-8	LW-15985	Carburetor	6-3
LW-14040	Gear Assy.	2-3	LW-157208	Kit	4-1
LW-14057	Clip	4-1	LW-157209	Kit	4-1
LW-14057	Clip	4-3	LW-16064	Support Assy.	1-13
LW-14057	Clamp	4-7	LW-16335	Fuel Pump	2-7
LW-14060	Clip	4-1	LW-16364	Magneto	4-1
LW-14060	Clamp	4-7	LW-16365	Magneto and Harness Assy.	4-1
LW-14078	Pin	3-1	LW-16366	Magneto	4-1
LW-14214	Starter	5-6	LW-16367	Magneto and Harness Assy.	4-1
LW-14215	Starter	5-6	LW-163005-2	Magneto	4-1
LW-14230	Cushion	4-1	LW-163045-3	Magneto	4-1
LW-14260	Seal	2-3	LW-163045-6	Magneto	4-1
LW-14308	Alternator	5-5	LW-25-0.75	Bolt	2-9
LW-14309	Alternator	5-5	LW-38.75	Bolt	2-7
LW-14313	Alternator	5-5	LW-320298-2	Clip	4-3
LW-14316	Alternator	5-5	LW-320300-1	Clip	4-3

LYCOMING O-360-A SERIES PARTS CATALOG

WIDE CYLINDER FLANGE CRANKCASE MODEL ENGINES NUMERICAL INDEX

PART NO.	PART NAME	PAGE NO.	PART NO.	PART NAME	PAGE NO.
LW-349305-1	Magneto	4-1	STD-8	Washer	4-5
LW-349365-3	Magneto	4-1	STD-8	Washer	4-7
LW-382555-11	Magneto	4-3	STD-8	Washer	6-1
LW-382555-15	Magneto	4-3	STD-8	Washer	6-2
LW-382555-151	Magneto	4-3	STD-19	Dowel	1-8
LW-382698	Kit	4-3	STD-33	Washer	1-11
LW-385124-106	Magneto	4-3	STD-33	Washer	2-7
LW-385124-110	Magneto	4-3	STD-35	Washer	2-3
LW-385124-113	Magneto	4-3	STD-35	Washer	2-4
LW-385164-113	Magneto	4-3	STD-35	Washer	2-5
LW-51360-29	Magneto	4-1	STD-35	Washer	3-3
LW-51360-37	Magneto	4-1	STD-35	Washer	5-2
LW-51360-45	Magneto	4-1	STD-35	Washer	5-3
LW-52305-1	Kit Assy.	4-1	STD-35	Washer	5-6
LW-620026-2	Clip	4-3	STD-35	Washer	6-3
LW-620028-1	Clip	4-3	STD-63	Nut	6-3
LW-620028-2	Clip	4-3	STD-68	Pin	5-2
LW-620028-3	Clip	4-3	STD-68	Pin	6-3
LW-620036-1	Clip	4-3	STD-91	Plug	6-1
LW-620036-4	Clip	4-3	STD-111	Gasket	6-1
LW-684400-303	Harness	4-3	STD-122	Washer	6-3
LW-684400-305	Harness	4-3	STD-160	Washer	1-11
LW-684405-303	Harness	4-3	STD-160	Washer	2-3
LW-7204 10-3	Ignition Harness Assy.	4-7	STD-160	Washer	2-8
LW-M-2375	Plate	4-7	STD-160	Washer	2-9
LW-M-2403	Harness Assy.	4-7	STD-160	Washer	4-5
LW-M-2404	Harness Assy.	4-7	STD-160	Washer	4-7
LW-M-2415	Harness Assy.	4-7	STD-160	Washer	6-1
LW-M-2416	Harness Assy.	4-7	STD-160	Washer	6-2
LW-M-2421	Harness Assy.	4-7	STD-208	Oil Seal	2-8
LW-M-2422	Harness Assy.	4-7	STD-294	Gasket	2-9
LW-M-2451	Harness Assy.	4-7	STD-303	Nut	6-3
LW-M-2452	Harness Assy.	4-7	STD-425	Washer	1-7
M-1985-48	Lead Assy.	4-7	STD-425	Washer	4-5
M-1985-72	Lead Assy.	4-7	STD-425	Washer	4-7
MS-124703	Insert	2-1	STD-425	Washer	5-3
MS-13997-3	Key	3-5	STD-475	Washer	2-4
MS-13998-3	Cap	3-5	STD-475	Washer	2-5
MS-16625-1081	Ring	1-9	STD-475	Washer	3-3
MS-16625-1100	Ring	2-9	STD-475	Washer	4-1
MS-20822-4-4	Elbow	6-3	STD-475	Washer	4-3
MS-20823-6D	Elbow	3-2	STD-475	Washer	5-6
MS-21919-G12	Clip	4-3	STD-514	Dowel	1-1
MS-29512-6	Seal	2-5	STD-551	Plug	6-1
MS-29512-10	Seal	2-9	STD-553	Screw	4-5
STD-8	Washer	1-11	STD-553	Screw	4-7
STD-8	Washer	2-3	STD-553	Screw	6-5
STD-8	Washer	2-8	STD-557	Dowel	1-1
STD-8	Washer	2-9	STD-596	Nut	1-11
STD-8	Washer	4-3	STD-670	Nut	4-3

LYCOMING O-360-A SERIES PARTS CATALOG

WIDE CYLINDER FLANGE CRANKCASE MODEL ENGINES NUMERICAL INDEX

PART NO.	PART NAME	PAGE NO.	PART NO.	PART NAME	PAGE NO.
STD-670	Nut	4-5	STD-1411	Nut	6-1
STD-670	Nut	4-7	STD-1414	Bolt	1-11
STD-670	Nut	6-5	STD-1414	Bolt	2-3
STD-678	Washer	1-11	STD-1416	Bolt	1-11
STD-678	Washer	2-7	STD-1419	Bolt	1-11
STD-684	Nipple	3-6	STD-1419	Bolt	6-1
STD-690	Washer	5-3	STD-1420	Nut	2-3
STD-692	Screw	4-3	STD-1420	Nut	5-2
STD-692	Screw	4-5	STD-1623	Insert	1-1
STD-692	Screw	4-7	STD-1685	Nut	6-3
STD-692	Screw	6-5	STD-1727	Washer	4-1
STD-696	Washer	4-5	STD-1727	Washer	5-2
STD-696	Washer	4-7	STD-1727	Washer	5-3
STD-700	Elbow	2-4	STD-1763	Locknut	6-3
STD-713	Pin	5-3	STD-1774	Pin	2-5
STD-761	Cotter Pin	4-1	STD-1774	Pin	2-8
STD-783	Plug	2-5	STD-1817	Bolt	5-2
STD-784	Plug	2-1	STD-1817	Bolt	5-3
STD-784	Plug	2-9	STD-1821	Hose	3-6
STD-798	Dowel	1-8	STD-1838	Bolt	2-4
STD-847	Screw	1-5	STD-1838	Bolt	5-2
STD-853	Tee	6-5	STD-1838	Bolt	5-3
STD-872	Nut	1-11	STD-1851	Bolt	5-2
STD-872	Nut	5-3	STD-1856	Screw	2-9
STD-1045	Gasket	1-7	STD-1858	Bolt	5-3
STD-1065	Dowel	1-5	STD-1872	Insert	3-2
STD-1164	Insert	2-5	STD-1874	Screw	4-3
STD-1204	Bolt	2-3	STD-1874	Screw	4-5
STD-1204	Bolt	6-1	STD-1874	Screw	4-7
STD-1211	Plug	1-5	STD-1875	Bolt	2-3
STD-1215	Bolt	2-3	STD-1882	Screw	2-7
STD-1215	Bolt	4-5	STD-1889	Bolt	2-5
STD-1215	Screw	4-7	STD-1901	Drive Stud	6-1
STD-1215	Bolt	6-2	STD-1925	Screw	3-3
STD-1221	Ring	2-5	STD-1925	Screw	4-5
STD-1339	Plug	1-1	STD-1925	Screw	4-7
STD-1339	Plug	2-3	STD-1930	Hose	2-4
STD-1409	Nut	1-11	STD-2033	Bolt	5-2
STD-1410	Nut	2-5	STD-2078	Dowel	1-5
STD-1410	Nut	3-3	STD-2084	Bolt	1-11
STD-1410	Nut	4-1	STD-2090	Nut	3-3
STD-1410	Nut	4-3	STD-2150	Bolt	2-3
STD-1410	Nut	5-6	STD-2156	Bolt	5-6
STD-1410	Nut	6-3	STD-2167	Screw	1-9
STD-1411	Nut	1-11	STD-2168	Nut	1-9
STD-1411	Nut	2-8	10-720632-48	Lead Assy.	4-7
STD-1411	Nut	2-9	25C-9	Stud	3-2
STD-1411	Nut	3-5	25C-10	Stud	2-9
STD-1411	Nut	4-5	25C-11	Stud	2-1
STD-1411	Nut	4-7	25C-12	Stud	2-1

LYCOMING O-360-A SERIES PARTS CATALOG

WIDE CYLINDER FLANGE CRANKCASE MODEL ENGINES NUMERICAL INDEX

PART NO.	PART NAME	PAGE NO.	PART NO.	PART NAME	PAGE NO.
25C-22	Stud	2-1	61173	Gasket	2-9
25C-31	Stud	2-1	61183	Gasket	2-8
31C-12	Stud	1-1	61247	Cover	3-3
31C-12	Stud	2-1	61260	Flange	3-3
31C-12	Stud	3-2	61385	Clip	4-5
31C-13	Stud	1-1	61400	Stud	6-1
31C-13	Stud	2-1	61510	Plug	1-5
31C-14	Stud	2-5	61544	Plunger	1-9
31C-14	Stud	6-1	61548	Nameplate	6-1
31C-14	Stud	6-3	61581-25	Tube Assy.	6-5
31C-15	Stud	2-1	61581-32	Tube Assy.	6-5
31C-15	Stud	6-1	61665	Gear	4-1
31C-16	Stud	1-1	62224	Gasket	4-1
31C-16	Stud	2-1	62415	Plunger	2-9
31C-16	Stud	2-5	62417	Plug	2-9
31C-19	Stud	2-1	62817	Screen Assy.	2-9
31CD-17	Stud	2-1	62833	Regulator	5-1
38-13	Stud	1-1	62922	Seal	3-5
38-22	Stud	1-1	65007	Retainer	1-1
38D-17	Stud	1-1	65098	Cover	2-7
50-15	Stud	1-1	65321	Gasket	3-3
383-B	Nut	3-3	65441	Seat	3-5
1028-B	Ball	1-7	66224	Gasket	6-3
1102	Plug	1-1	66610	Bushing	3-2
1102	Plug	2-1	66796	Insert	3-2
1102	Plug	2-5	68315	Gasket	2-5
1102	Plug	3-2	68317	Shaftgear	2-5
1102	Plug	6-1	68593	Spacer	2-8
1102	Plug	6-2	68604	Clamp	4-5
1102	Plug	6-5	68626	Regulator	5-1
1182-B3	Spark Plug	4-9	68628	Relay	5-1
1182-D4	Spark Plug	4-9	68759	Tube Assy.	3-6
1182-F3	Spark Plug	4-9	68760	Tube Assy.	3-6
1182-J3	Spark Plug	4-9	68761	Tube Assy.	3-6
1182-Q5	Spark Plug	4-9	68764	Generator	5-5
1182-T4	Spark Plug	4-9	68767	Generator	5-5
1540	Plug	2-9	68871	Generator	5-5
8313	Gasket	2-8	68872	Regulator	5-1
60009	Key	3-5	68974	Housing	2-9
60096	Gasket	2-7	69106	Cover	2-5
60398	Bushing	3-3	69436	Spring	2-9
60430	Cover	2-8	69444	Rocker Assy.	3-3
60803	Strap	1-11	69510	Housing	2-9
60828	Plug	3-1	69551	Gasket	2-5
60886	Belt	5-1	69602	Connection	6-1
61084	Spring	1-7	69603	Hose	6-2
61098	Adapter Assy.	2-8	69675	Connector	2-9
61155	Gear	1-5	69796	Dowel	1-1
61156	Lockplate	1-5	70310	Seal	3-5
61163	Gear	4-1	70419	Bracket	5-2

LYCOMING O-360-A SERIES PARTS CATALOG

WIDE CYLINDER FLANGE CRANKCASE MODEL ENGINES NUMERICAL INDEX

PART NO.	PART NAME	PAGE NO.	PART NO.	PART NAME	PAGE NO.
70455	Gasket	1-8	72453	Clamp	4-5
70484	Screen	6-1	72495	Gear	4-1
70485	Pipe	6-2	72566	Gear	1-13
71098	Carburetor	6-3	72695	Generator	5-5
71140	Fitting	2-9	72801	Counterweight Assy.	1-5
71481	Ring	3-3	72815	Bracket	4-5
71579	Belt	5-1	72815	Bracket	4-7
71596	Washer	2-5	72877	Body	1-7
71596	Washer	2-8	72970	Gear Assy.	2-8
71600	Adapter	2-9	73050	Clamp	4-5
71610	Hook	3-6	73061	Body	1-7
71611	Retainer	3-6	73152	Bracket	4-5
71620	Bolt	2-9	73152	Bracket	4-7
71621	Clip	2-4	73245	Eyelet	4-5
71623	Washer	2-9	73249	Washer	1-8
71710	Carburetor	6-3	73250	Washer	1-8
71712	Pipe	6-2	73251	Washer	1-8
71713	Pipe	6-2	73252	Washer	1-8
71744	Generator	5-5	73340	Regulator	5-1
71745	Regulator	5-1	73346	Flange	6-2
71824	Clamp	4-5	73383	Lockplate	5-2
71903	Bushing	1-5	73383	Lockplate	5-3
71907	Washer	1-5	73434	Rod Assy.	3-3
71910	Clamp	4-7	73435	Rod Assy.	3-3
71910	Clamp	6-5	73436	Rod Assy.	3-3
71973	Gasket	6-2	73650	Clip	6-3
71980	Generator	5-5	73810	Bushing	1-5
72000	Belt	5-1	73818	Gasket	2-1
72053	Gasket	2-5	73857	Ring	3-1
72057	Seat	3-2	73938	Valve	3-5
72058	Seat	3-2	73971	Clamp	4-7
72059	Gasket	1-3	74065	Ring	1-3
72060	Bushing	1-5	74068	Ring	1-3
72061	Bushing	1-5	74070	Elbow	2-4
72062	Bushing	1-5	74070	Elbow	6-3
72075	Seal	1-7	74139	Adapter Assy.	6-2
72077	Regulator	5-1	74225	Nipple Assy.	6-5
72091	Ring	1-7	74241	Ring	3-1
72117	Rocker Assy.	3-3	74248	Bushing	1-5
72158	Bushing	1-1	74249	Bushing	1-5
72205	Regulator	5-1	74291	Regulator	5-1
72310	Cover Assy.	3-3	74292	Regulator	5-1
72311	Regulator	5-1	74319	Alternator	5-5
72312	Ring	1-3	74323	Strut	5-3
72351	Screw	4-5	74324	Bracket	5-3
72351	Screw	4-7	74325	Link	5-3
72377	Elbow	6-3	74428	Tube Assy.	3-6
72378	Cover	2-5	74541	Valve	3-5
72380	Cover Assy.	3-3	74636	Rocker Assy.	3-3
72413	Fitting	2-9	74637	Bushing	3-3

LYCOMING O-360-A SERIES PARTS CATALOG

WIDE CYLINDER FLANGE CRANKCASE MODEL ENGINES NUMERICAL INDEX

PART NO.	PART NAME	PAGE NO.	PART NO.	PART NAME	PAGE NO.
74661	Relay	5-1	76529	Plug	1-7
74771	Spacer	2-8	76534	Shim	5-3
74804	Relay	5-1	76539	Seat	2-9
74816	Alternator	5-5	76617	Tube Assy.	2-4
74863	Pulley	5-5	76648	Grommet	4-5
74878	Fan and Baffle Assy.	5-5	76728	Sleeve	4-5
74880	Alternator Assy.	5-5	76734	Zip Straps	4-1
74887	Spacer	3-3	76734	Zip Strap	4-3
74966	Crankshaft Assy.	1-5	76734	Zip Strap	4-5
74968	Crankshaft Assy.	1-5	76734	Zip Strap	4-7
74970	Crankshaft Assy.	1-5	76753	Sleeve	4-5
74996	Gear Assy.	1-9	76754	Plate	4-5
75030	Support Assy.	1-13	76757	Nut	4-5
75061	Bolt	3-1	76852	Grommet	4-5
75072	Gear Assy.	1-9	76853	Magneto Plate	4-5
75089	Piston	3-1	76906	Bracket	5-3
75153	Adapter Assy.	2-5	76908	Strut	5-3
75154	Stud	1-1	76923-48S70-63	Lead Assy.	4-5
75165	Clip	2-4	76923-48S90-63	Lead Assy.	4-5
75166	Tube Assy.	2-4	76923-48S110-63	Lead Assy.	4-5
75167	Tube Assy.	2-4	76923-72S90-63	Lead Assy.	4-5
75220	Alternator Assy.	5-5	76943	Guide	3-2
75221	Support Assy.	1-13	76961	Clamp	4-1
75248	Fuel Pump	2-7	77037	Crankshaft Assy.	1-5
75339	Baffle Assy.	3-6	77154	Gasket	6-3
75380	Link	5-3	77159	Sump Assy.	6-1
75444	Adapter Assy.	6-2	77160	Guide	3-2
75545	Adapter Assy.	2-5	77309	Bushing	1-9
75735	Tube	1-3	77412	Housing Assy.	2-1
75736	Tube	1-3	77422	Housing Assy.	2-1
75739	Nipple	2-4	77467	Spring	1-7
75767	Tube	1-3	77510	Housing Assy.	2-1
75888	Stud	2-1	77579	Support Assy.	1-13
75906	Gasket	3-3	77611	Gasket	3-3
75941	Tape	4-5	77718	Strut	5-2
75944	Valve Assy.	2-9	77743	Harness Assy.	4-1
75965	Clamp	4-1	77745	Harness Assy.	4-1
75965	Clamp	4-3	77808	Valve Assy.	1-7
76026	Belt	5-1	77852	Oil Filter Base Assy.	2-9
76028	Link	5-2	77853	Oil Filter Housing Assy.	2-9
76028	Link	5-3	77872	Bushing	1-8
76075	Magneto Plate Outlet	4-5	77874	Gear Assy.	1-8
76097	Camshaft Assy.	1-5	77875	Gear	1-8
76110	Housing Assy.	2-1	77962	Adapter	1-3
76111	Housing Assy.	2-1	77997	Housing Assy.	2-1
76118	Spacer	1-9	78039	Housing Assy.	2-1
76119	Shield	2-1	78059	Relay	5-1
76121	Shaft Assy.	1-9	78060	Relay	5-1
76220	Stud	1-11	78290	Plunger Assy.	3-5
76496	Alternator	5-5	78308	Alternator	5-5

LYCOMING O-360-A SERIES PARTS CATALOG

WIDE CYLINDER FLANGE CRANKCASE MODEL ENGINES NUMERICAL INDEX

PART NO.	PART NAME	PAGE NO.	PART NO.	PART NAME	PAGE NO.
78368	Pin	1-9	78540	Cable Assy.	4-5
78403	Alternator	5-5	78542	Cable Assy.	4-5
78524	Socket	3-5	78546	Cable Assy.	4-5
78528	Body Assy.	2-3	78594	Adapter Assy.	2-5
78532	Impeller Assy.	2-3	78717	Camshaft Assy.	1-5
78538	Cable Assy.	4-5	78914	Connection	6-1
78539	Cable Assy.	4-5	78915	Sump Assy.	6-1